

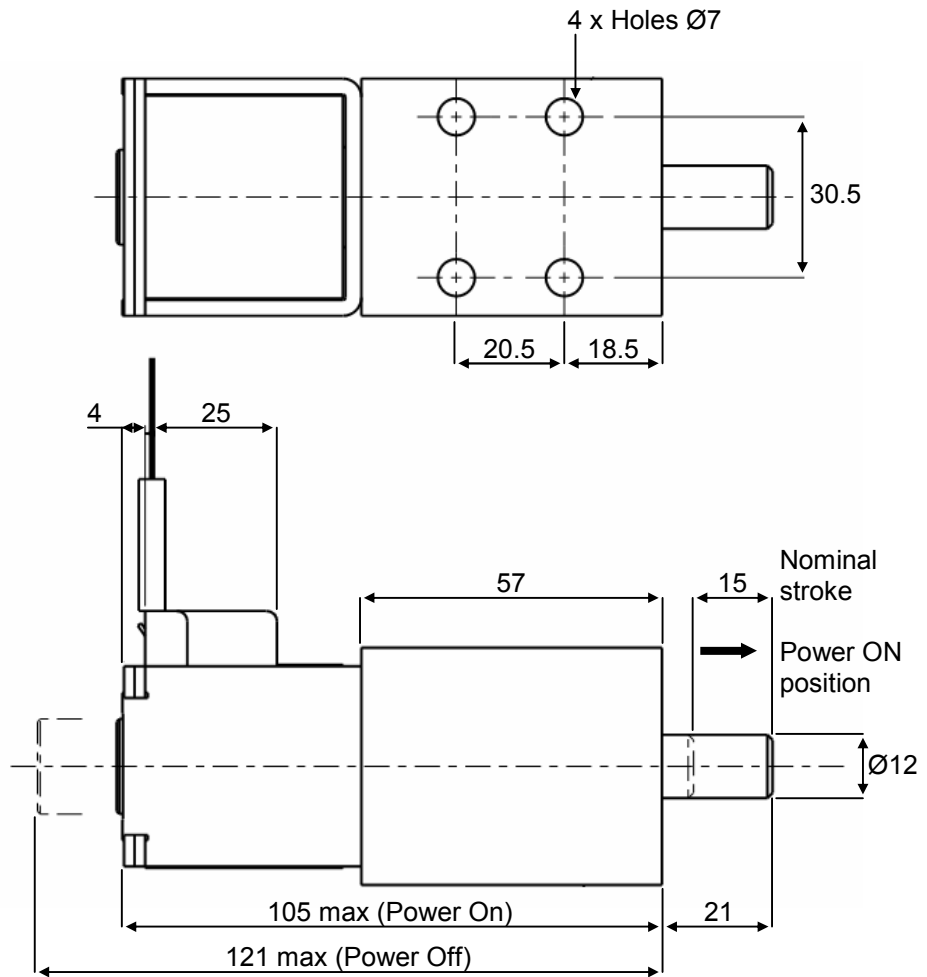
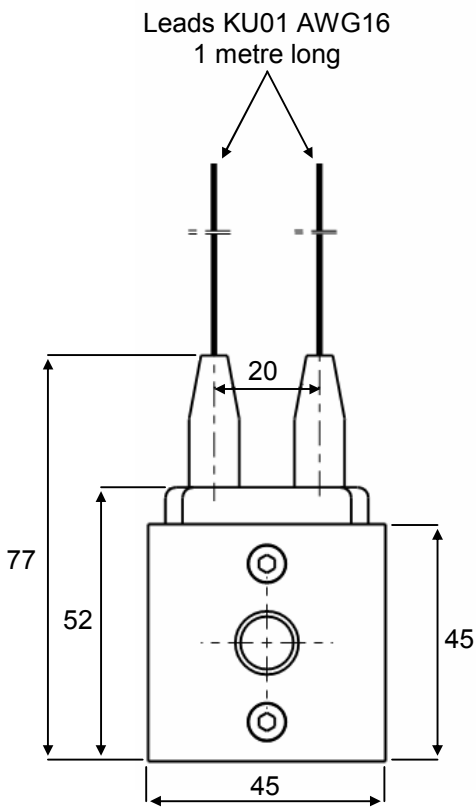


B.14 SHOTBOLT SOLENOID LOCKING POWER ON IP40

BDC.14

- Stroke: **15mm**
- Maximum radial force: **150Kg**
- Weight: **1.1 Kg**
- Protection rating: **IP40**
- Standard voltage: **24V DC**
- Possible voltage: **From 12 - 205V DC**
- Duty cycle: **Permanent (100%)**
- Power: **16W**

Example of use: Access Control
Locking doors, levers, drawers, inspection hatches, various mechanisms or as stops on manufacturing tools.



Dimensions in mm

HE & BS Benson Ltd
1 Laureate Industrial Estate
Exning Road
Newmarket
Suffolk UK
CB8 0AR

T. +44(0)1638 663535 — 663130
F. +44(0)1638 667434
E. sales@hebsbenson.co.uk
www.hebsbenson.co.uk

