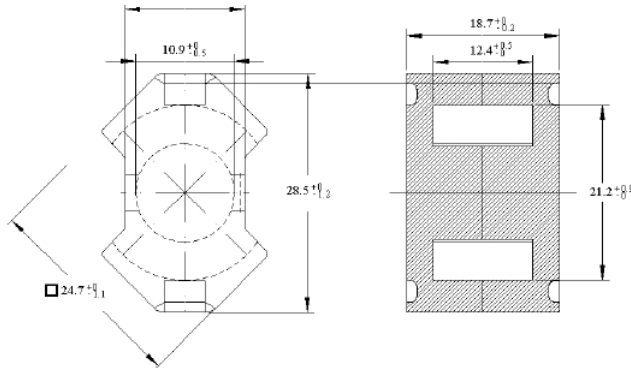


RM 10 Cores For Transformer Applications

Data sheet Ref: APS-3 (19/02/02)

PACE

POWER MAGNETICS
DIVISION

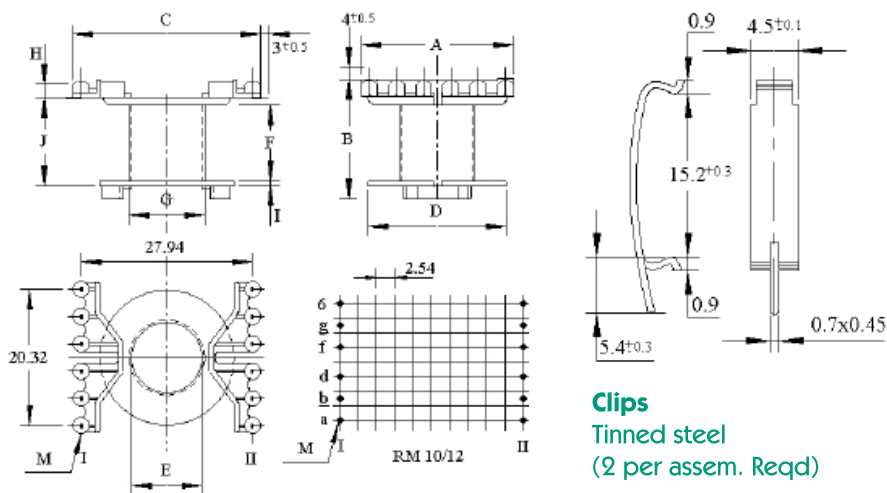


Magnetic Data for a Pair of Cores

Parameter	symbol	value
Effective magnetic path length	L_e	98.0mm
Effective area of magnetic path	A_e	236mm ²
Effective magnetic volume	V_e	23100mm ³
$\sum l_A$	CL	0.451mm ⁻¹

Standard Characteristics of Material

Material		Tan σ / μ iaU ($\times 10^{-5}$) 10KHz	TC (°C)	f (MHz)
2E6	3000 $\pm 20\%$	0.1	200	<0.3
2F6		0.07	>200	



Clips
Tinned steel
(2 per assem. Req'd)

Accessories for RM10 Cores Bobbin 12 Pin PCB Mounting

Bobbin moulded from glass loaded Polyester conforms to UL94-V-O
Temperature rating -50°C to +140°C Max soldering temperature +400°C for 2 secs

Dimensions in mm

Power Magnetics

10 Balmer Cut,
Buckingham Industrial Park,
Buckingham MK18 1UL

T 01280 817243

F 01280 823167

E sales@powermagnetics.co.uk
www.powermagnetics.co.uk

A DIVISION OF
PACE
COMPONENTS
LIMITED