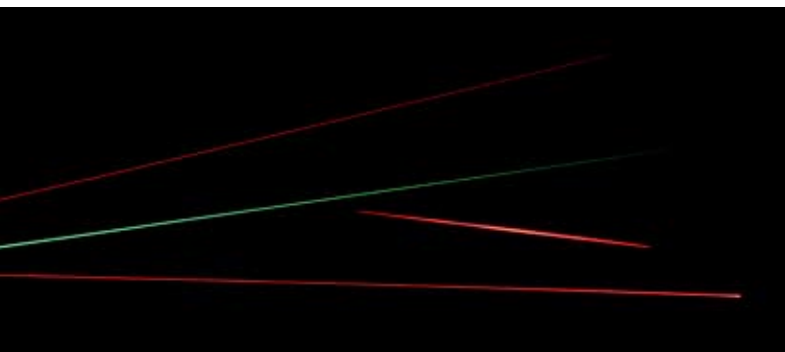


# PreciLine Lasers



- Full range of laser guide lights
- Designed for harsh industrial applications
- High quality precision optics
- Sharp projection on all types of material
- More than 30 years experience in laser guide lights



## Technical details

All lasers have a compact size for easy installation in most places. Various output light angles give different line lengths. Optional optics, like point, ring and cross are possible. The lasers are made for rough industrial environments, with a M18 industry housing made of chromed brass and an optic head made of blue anodised

aluminium. This robust design provides a dust- and waterproof, IP67, protection category. They have an effective temperature cooling, working in ambient temperatures up to 50°C, protection against reverse polarity and transients, all of which ensures a long life length.

## Accessories

The lasers can be mounted with the two supplied M18 thread nuts, alternatively by the optional adjustable bracket. Electrical connection is made with a 4-pin, M12 plug. A small LED light indicates laser on/off.

Power supply: Standard power supply's for European C (CEE 7/16 Europlug) and USA A (NEMA 1-15 USA 2 pin)



## PreciLine Lasers

Laser guide lights are a very useful tool in many different types of industry. They can be used as positioning of work pieces and tools, eliminating the need of mechanical fixtures and rulers. Improves working efficiency and safety in tight spaces and where both hands are required during work.

PreciLine is LIMAB's new range of sharp and highly visible red and green light diode lasers.

All our lasers are robust and made for heavy industrial use. LIMAB lasers are well protected against over voltage and transients.

### PreciLine R

LIMAB's most popular red laser guide light with the latest technology. M18 industry housing made of rigid chromed brass, with optic head in blue anodised aluminium, in a newly developed design for improved heat protection. The PreciLine has an external power supply, which makes them compact, easy to install and very price competitive.

### PreciLine G

The PreciLine G is the new generation of green lasers from LIMAB, based on the same housing as the R series. It's the right choice if you need extremely visible lines or have much ambient light. The green laser emits light at a frequency that is more visible to the human eye than red lasers.



## Applications

LIMAB has since 30 years supplied lasers to most industries. To the wood industry for all types of sawing and cutting operations like board sorting, edging operations, planer infeeds and veneer shears. Steel industry for cutting to size, welding and plate positioning. Stone industry

for cutting. Plastic and rubber industries for forming processes. For many types of assembly the lasers are used for parts placement operations. Another big application is the use of line lasers as OEM components in various camera vision systems for surface profiling.

## Selecting a laser

Here some questions to help finding the best solution for your application:

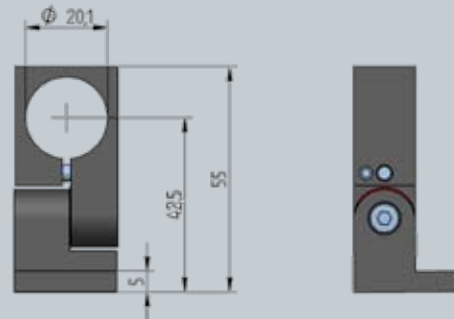
- Type of laser: line/point/cross/ring/...?
- Required size (length, spot, diameter) of projected light?
- Target material: wood/steel/rubber/stone/...?
- Type of operation: positioning/cut marking/alignment/profiling/...?
- Distance laser-target?
- Working environment: ambient light, temperature, air pollutions?
- Laser light: red or green?



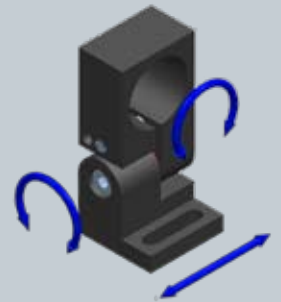
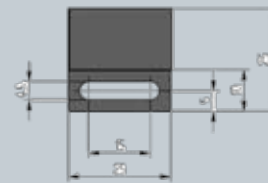
# Technical specifications

|                          |   |               |                   |
|--------------------------|---|---------------|-------------------|
| Model                    | 5 mW R (red)                                    | 20mW R        | 40mW R            |
| Part No.                 | 90344   | 90340         | 90342/90341       |
| Wave length              | 635nm - 642nm                                   |               |                   |
| Laser class              | 2, 2M, 3R, 3B                                   |               |                   |
| Output angle             | 90°   | 90°           | 10° ( 40mW) / 90° |
| Connection               | M12 plug, 4-pin M12 plug, 4-pin M12 plug, 4-pin |               |                   |
| Supply voltage           | 4.75-30VDC                                      |               |                   |
| Protection category      | IP 67, dust- and waterproof                     |               |                   |
| Protection               | Reverse polarity and transient / ESD            |               |                   |
| Dimensions               | 93mm x Ø 20mm                                   | 93mm x Ø 20mm | 93mm x Ø 20mm     |
| Environmental conditions | -10°C up to +50°C                               |               |                   |
| MTTF at 25°C             | > 30.000h                                       |               |                   |

|                          |                                      |
|--------------------------|--------------------------------------|
| Model                    | 20mW G (Green)                       |
| Part No.                 | 90343                                |
| Wave length              | 532nm                                |
| Laser class              | 2, 2M, 3R, 3B                        |
| Output angle             | 90°                                  |
| Connection               | M12 plug, 4-pin                      |
| Supply voltage           | 4.75-30VDC                           |
| Protection category      | IP 67, dust-proof and waterproof     |
| Protection               | Reverse polarity and transient / ESD |
| Dimensions               | 136mm x Ø 20mm                       |
| Environmental conditions | -10°C up to +50°C                    |
| MTTF at 25°C             | > 5.000h                             |



|                        |          |
|------------------------|----------|
| Accessories            | Part No. |
| Adjustable bracket     | 90300    |
| Powersupply, plug in   | 90320    |
| Cable 4-pin 5m 90, 5mW | 90321    |



Adjustable bracket

We reserve the right to introduce modifications without prior notice.



LIMAB has been working with laser technology for more than 30 years with thousands of installed lasers worldwide. We not only produce laser guide lights, but also lasers sensors and complete systems for dimensional and profile measurement in sawmills, panels production and steel mills. Headquarter and manufacturing is located in Gothenburg, Sweden. LIMAB has regional offices in USA, Germany, Finland, UK. In other parts of the world LIMAB is represented by local agents and partners or work directly from Sweden.



LIMAB North America Inc.  
9301 Monroe Road, Suite B  
Charlotte, NC 28270  
USA  
Tel: 001 (0) 704 321 0760  
www.limab.com

LIMAB Oy  
Henry Fordin Katu 5K  
FIN 00150 HELSINKI  
Finland  
Tel: 00358 947 80 36 68  
www.limab.fi

LIMAB GmbH  
Mitterlangstr. 28  
D-82178 Puchheim  
Germany  
Tel: 0049 (0) 89 84058320  
www.limab.de

LIMAB UK Ltd  
Unit 3L, Westpark 26  
Wellington  
Somerset, TA21 9AD UK  
Tel: 0044 (0) 1823 668633  
www.limab.co.uk



Exportgatan 38 B  
SE-422 46 HISINGS BACKA, Sweden  
Phone +46 (0)31 - 58 44 00  
Fax +46 (0)31 - 58 33 88  
sales@limab.se - www.limab.com