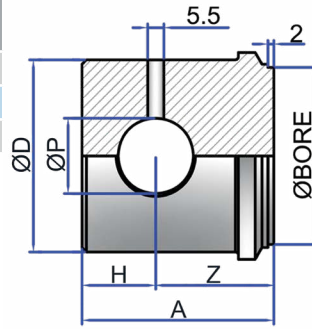


WELDABLE END PLUGS WITH CROSSHOLE - HFRT SERIES

ORDER CODE	BORE Ø(mm)	D Ø(mm)	P Ø(mm)	Z (mm)	H (mm)	A (mm)
RP937	30	40	14	16	14	30
RP938	50	60	23	28	22	50
RP939	60	65	25.5	40	25	65

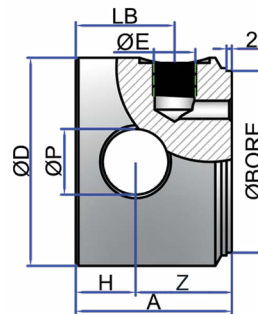


STEEL - FE510C A105



WELDABLE END PLUGS WITH CROSSHOLE & INLET PORT

ORDER CODE	BORE Ø(mm)	D Ø(mm)	P Ø(mm)	Z (mm)	H (mm)	A (mm)	LB (mm)	E Ø(mm)
RP190 (1)	40	50	16.2	35	15	50	30	1/4"
RP191 (1)	50	60	20.25	40	20	60	38	3/8"
RP192 (1)	60	70	25.25	37	23	60	38	3/8"
RP192A	63	73	25.25	37	23	60	38	3/8"
RP193 (1)	70	80	25.25	37	23	60	38	3/8"
RP194	80	95	30.25	50	25	75	47	1/2"
RP195	100	115	35.25	45	30	75	47	1/2"



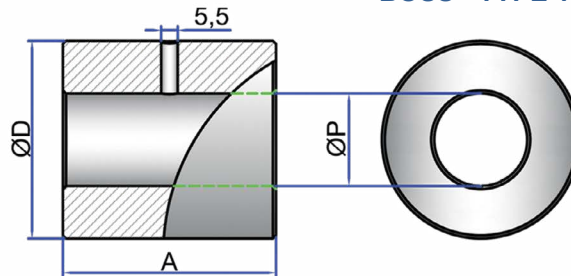
STEEL - FE510C A105



(1) = SIZE CAN BE SUPPLIED IN AISI 316 GRADE STAINLESS STEEL
PLEASE QUOTE 'SS' IN PART NUMBER, I.E RPSS190.

WELDABLE BOSSES

ORDER CODE	D Ø(mm)	P Ø(mm)	A (mm)
RP010	25	12.1	25
RP011	30	16.2	35
RP011A	35	20.25	40
RP012	40	20.5	40
RP012A	40	25.25	45
RP013	50	25.5	45
RP013A	50	30.25	55
RP014	50	30.5	55
RP014A	60	30.25	70
RP015	65	30.5	70
RP016	65	35.5	60
RP017	65	35.5	120
RP018	85	50.5	80
RP019	85	50.5	140
RP020	100	60.5	90
RP021	100	60.5	150

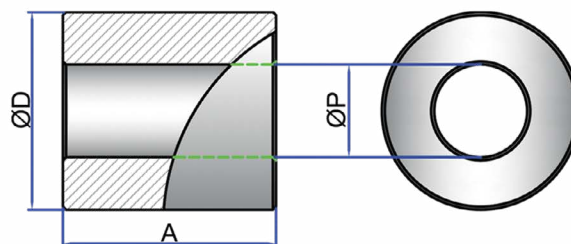


BOSS - TYPE 1

STEEL - FE510C (S355J0)



RP260 (1)	35	16.25	30
RP261	35	16.25	60
RP262 (1)	40	20.25	40
RP263	40	20.25	70
RP264 (1)	50	25.25	50
RP265	50	25.25	80
RP266	50	25.25	90
RP267 (1)	60	30.25	60
RP268	60	30.25	110
RP269	70	40.25	70
RP270	70	40.25	130



BOSS - TYPE 2

(1) = SIZE CAN BE SUPPLIED IN AISI 316 GRADE STAINLESS STEEL - PLEASE QUOTE 'SS' IN PART NUMBER, I.E RPSS260.

(N.B: TYPE 2 BOSS DOES NOT COME WITH LUBRICATION HOLE)