

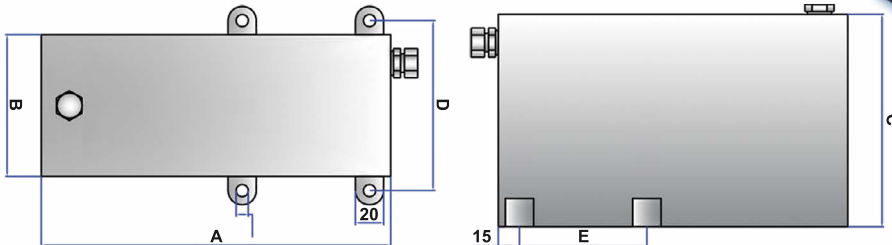
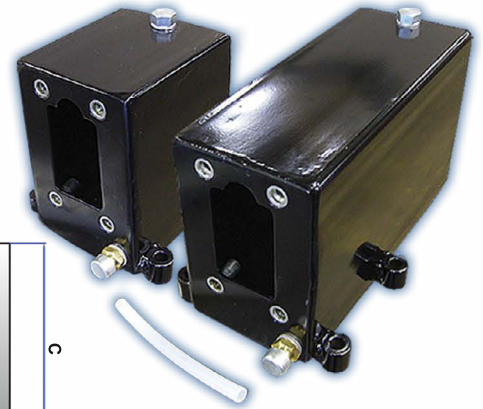
TANKS (FOR PAM-T HAND PUMPS)

ORDER CODE	A (mm)	B (mm)	C (mm)	CAPACITY (ltr)	D (mm)	E (mm)
PAM00220001	120	100	150	1	120	90
PAM00220002	180	100	150	2	120	90
PAM00220003	247	100	150	3	120	90
PAM00220005	200	175	175	5	195	90
PAM00220007	269	175	175	7	195	90
PAM00220010	376	175	175	10	195	90

STEEL

CAPACITY FROM 1 ► 10 LITRES

SUITABLE FOR THE PAM-T/TV & PAM-TD/TDV SERIES PUMPS



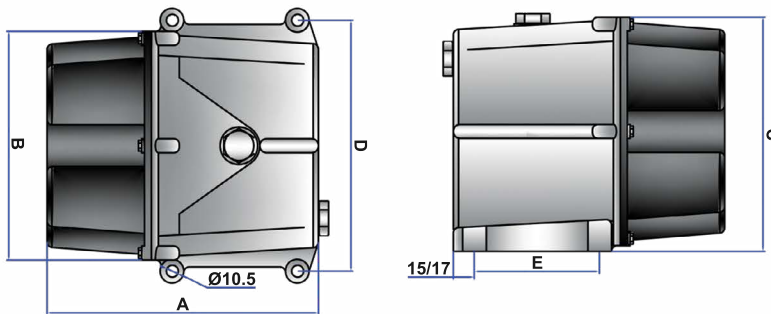
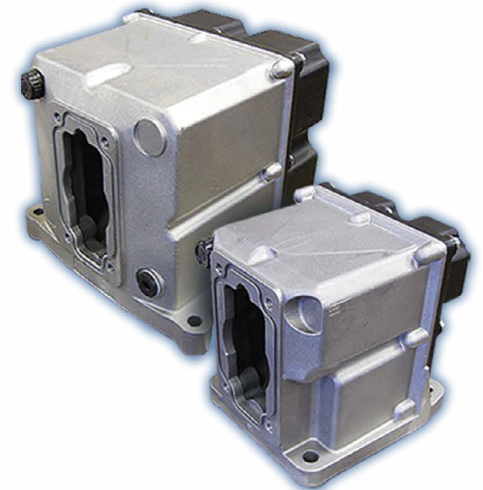
ALUMINIUM TANKS (FOR PAM-T HAND PUMPS)

ORDER CODE	A (mm)	B (mm)	C (mm)	CAPACITY (ltr)	D (mm)	E (mm)
S01	150	123	130	1	96	110
S02	150	164	168	2	180	90
S03	195	164	168	3	180	90
S05	305	164	168	5	180	90

ALUMINIUM

CAPACITY FROM 1 ► 5 LITRES

SUITABLE FOR THE PAM-T/TV & PAM-TD/TDV SERIES PUMPS



ACCESSORIES FOR PAM HAND PUMPS



PAM0190102



PAM0190101

ORDER CODE	ACCESSORY
PAM0290000	PAM HAND PUMP HANDLE (20x30x600mm)
PAM0190101	PAM HAND PUMP BELLOWS
PAM0190102	PAM HAND PUMP KNOB / WHEEL

PAM0290000

