

INSTALLATION MANUAL

32"-47"

READ THIS MANUAL THROUGH BEFORE INSTALLING YOUR UNITS TO ENSURE CORRECT INSTALLATION AND THAT YOU'RE COVERED UNDER WARRANTY.

- The following manual details the vital information and safety precautions needed for a safe installation of the IDS retail totem enclosure.
- Due to the weight of your enclosure and for personal safety, it is recommended to refer to your company's own health and safety heavy lifting procedures before moving the enclosure.
- All power must be switched off until the enclosure has been fully assembled and is ready to use.
- Tools required for installation, Phillips Screwdriver, Drill and Sockets Kit or Wrench



Installation Manual

IDS Retail Totem

Page | 1

CONTENTS & PREPARATION

- **Display Mounting**
 - Parts List Pg 2
 - Installation Instructions Pg 3-7
- **Maintenance** Pg 11-12

PARTS LIST

DISPLAY MOUNTING

1. IDS Retail Totem x1
2. Feet x2



Installation Manual

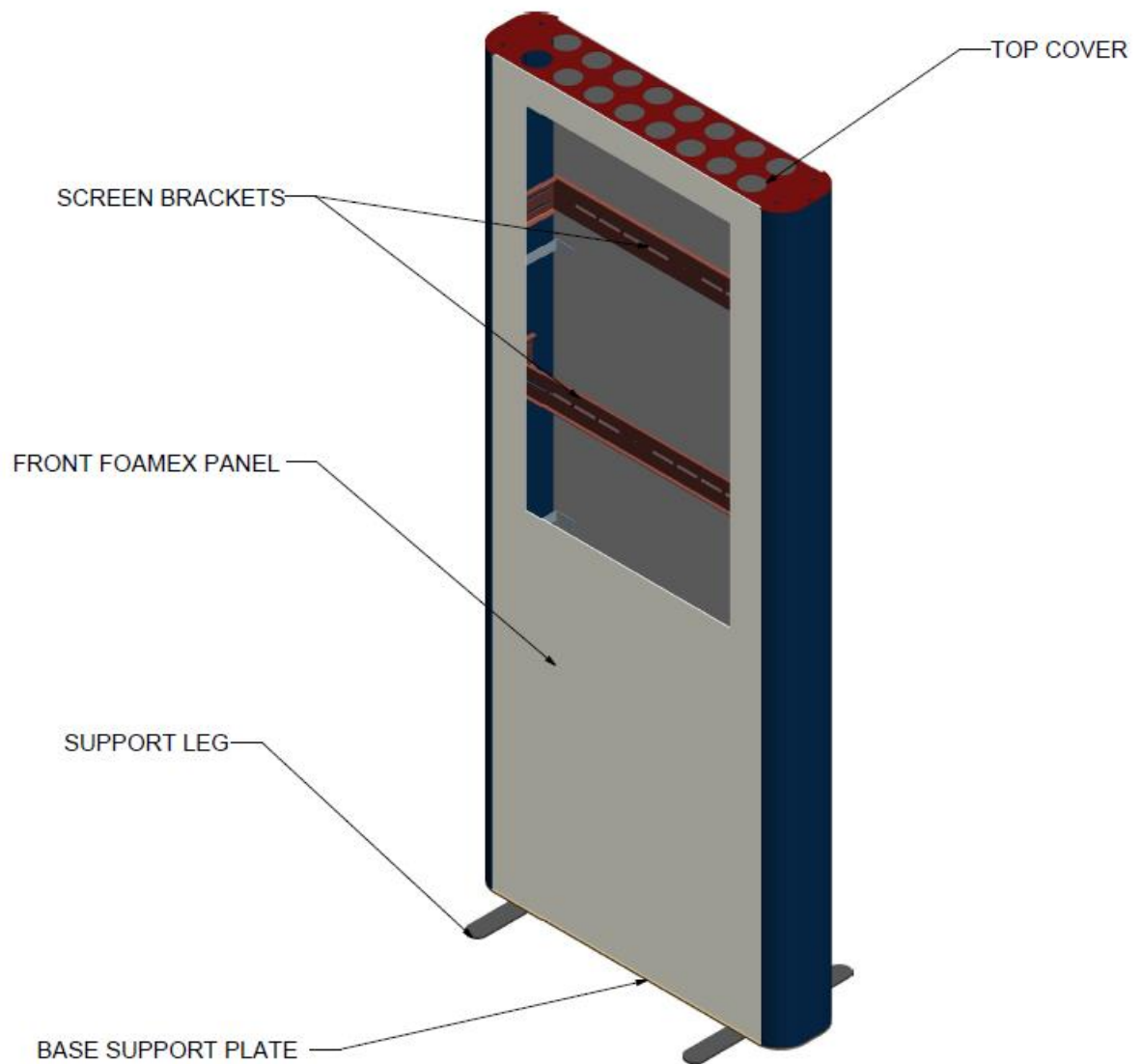
IDS Retail Totem

Page | 2



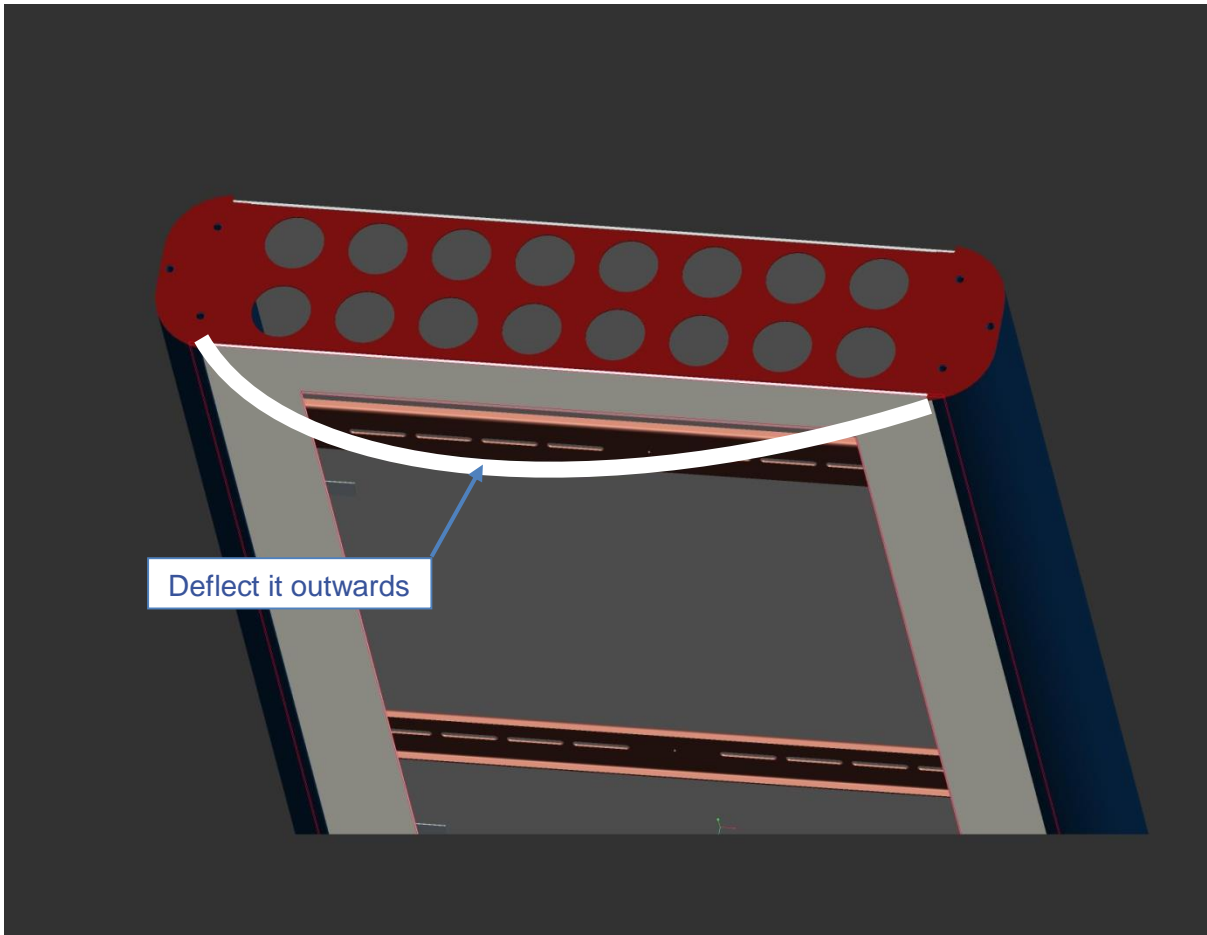
Installation Instructions for a Retail Totem

1. Identifying the various component part of the retail totem



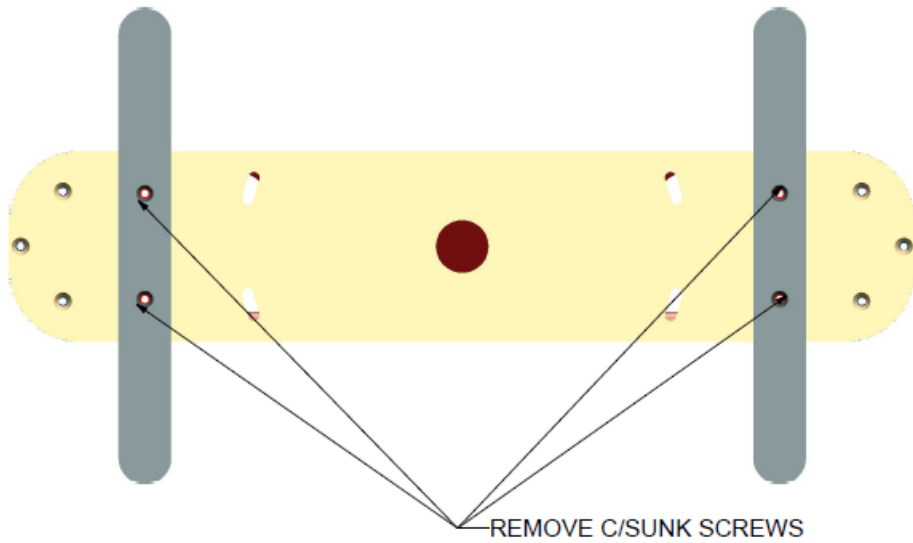
2. The Foamex panels can be taken out for branding and installation purposes.

- The panels can either be removed by taking of the top cover and sliding them out, OR.
- By slightly pushing it inwards around the edges, so that it deflects outwards in the centre and slides out.

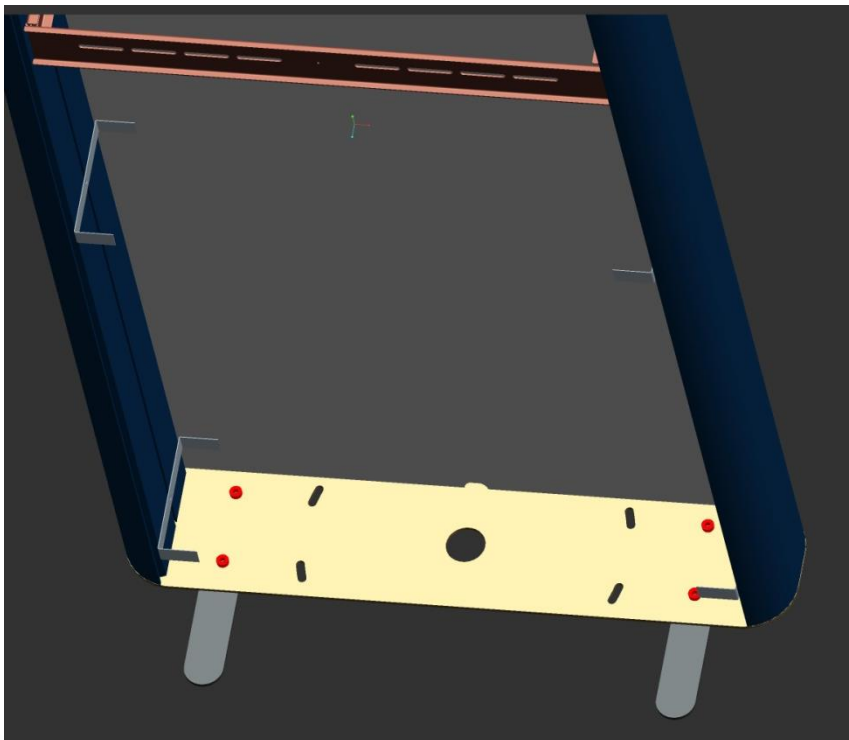


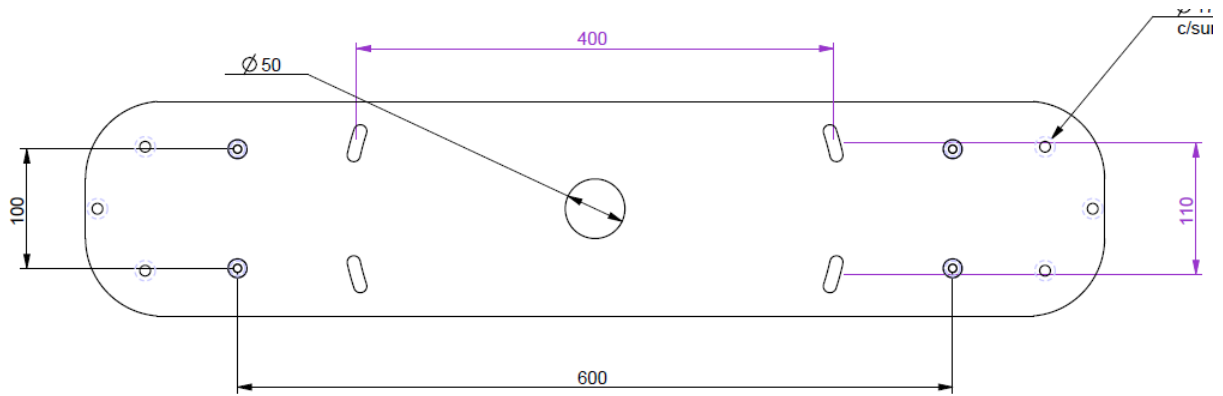
Supporting your retail totem.

- a) Your retail totem comes with a pair of support legs as shown in the figure above. The totem can be left free standing when supported on these legs on a flat surface.
- b) However, you can bolt the totem straight to the floor which is always recommended. This makes the whole structure much more stable and secure.

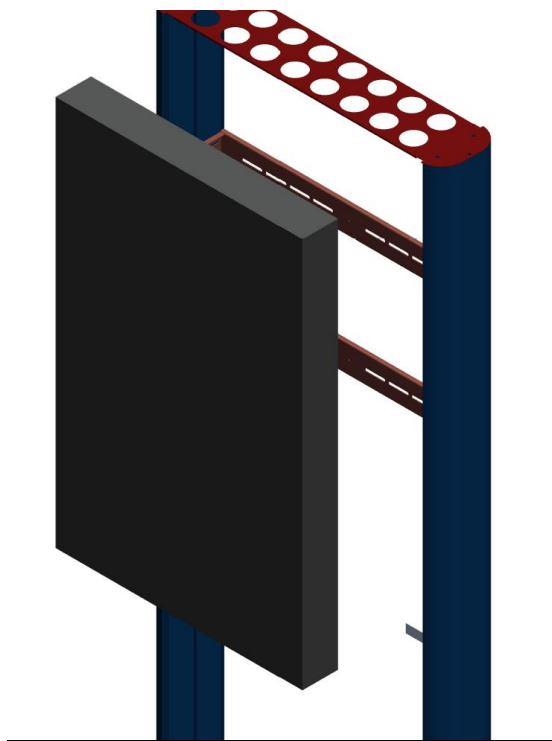


- c. Remove the support legs by removing the 4 counter sunk screws from the base of the totem as shown above
- d. Then the totem can be secured to the floor by inserting 4 off M8 bolts through the plate into the ground



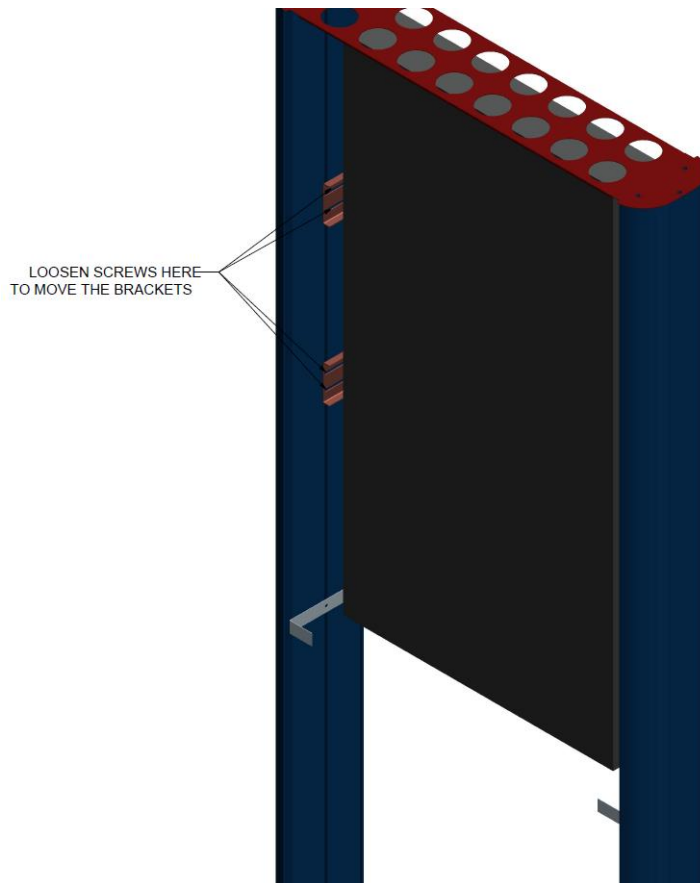


3. Fixing the screen to the bracket



- To fix the screen to the brackets, the screens need to be held from the front against the brackets, and then screwed in place from the back.
- After fixing the screen to the bracket, place the front Foamex panel back in place.

- c) To adjust the vertical position of the screen; loosen the screws holding the screen brackets to the side channels. The brackets can then slide along the length of the side channels. Do this till the picture on the screen is within the polycarbonate window on the front.
- d) Once you have got the position right, put the back panel in place.



MAINTENANCE

Screen Cleaning – Polycarbonate and Anti-Reflective Polycarbonate

In order to maintain your polycarbonate in a good condition it is recommended that the sheet be cleaned periodically using suitable household cleaning agents.

The recommended cleaning instructions are as follows:

- Use lukewarm water to rinse and soften dirt.
- Make up a solution of lukewarm water and ordinary household cleaner or mild soap and use this to wash the sheet.
- A sponge or soft cloth should then be used to gently remove dirt and grime and for large areas a pressure washer may be used in a suitable outdoor area.
- Ethyl alcohol or white kerosene used sparingly can be used to remove paint and other such substances.
- The cleaning process should then be repeated and the sheet rinsed with clean water and dried with a soft cloth.

Warning - The following precautions should be observed:

- Do not scrub the sheet with brushes or sharp implements.
- Do not use squeegees.
- Avoid solvents, other than those listed, or any abrasive cleaners.
- Avoid cleaners of a highly alkaline composition.
- Avoid cleaning in the hot sun or high temperatures.

For additional support, visit www.Armagard.com or call

Free (US): 1-866-434-0807

Call (UK): 0121-608-7210

Installation Manual

IDS Retail Totem

Page | 8