



ARMAGARD PDS 19" – DISPLAY & WALL MOUNTING

(ENGLISH)

INSTALLATION MANUAL

19"

READ THIS MANUAL THROUGH BEFORE INSTALLING YOUR UNITS TO ENSURE CORRECT INSTALLATION AND THAT YOU'RE COVERED UNDER WARRANTY.

- The following manual details the vital information and safety precautions needed for a safe installation of the Armagard 19" PDS landscape enclosure.
- Due to the weight of your enclosure and for personal safety, it is recommended to refer to your company's own health and safety heavy lifting procedures before moving the enclosure.
- All power must be switched off until the enclosure has been fully assembled and is ready to use.
- If your enclosure is for outdoor use, don't attempt installation in bad weather; use correct lighting for optimum viewing conditions.
- Tools required for installation, Phillips Screwdriver, Drill and Sockets Kit or Wrench
- Electrical plugs, display bracket screws and wall plate bolts are not provided because of different customer setups.
- Armagard recommends that all enclosures should be securely attached to the wall before fitting the display to avoid any damage during lifting.
- Default thermostat settings can be found on page eleven.
- Because of its watertight seal, to lock an enclosure you have to push firmly against the door and then turn the key to lock.

YOUR WARRANTY AGREEMENT IS VOID if you perform any modifications on the enclosure, for example, drilling or penetrating any additional holes into the enclosure.

FOR BEST PRACTICE mount the enclosure using the recommended brackets to ensure integrity.

Installation Manual

PDS-19"

Page | 1

CONTENTS & PREPARATION

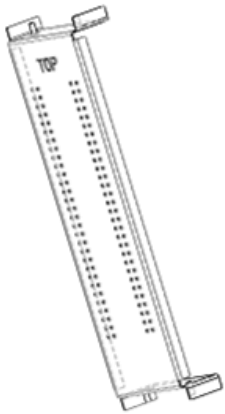
- **Display Mounting**
 - **Parts List** Pg 2
 - Gland Plate & Cables Pg 3
 - Display Brackets Pg 3
- **Wall Mounting**
 - Parts List Pg 5
 - Enclosure Brackets Pg 5
 - Wall Plate Pg 6
 - Locking Bar Pg 7
 - Controller Board Pg 8-10
- **Maintenance** Pg 11-12

PARTS LIST

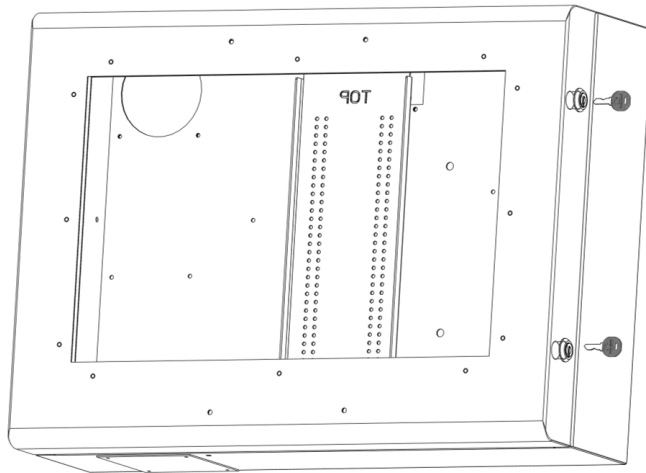
DISPLAY MOUNTING

Getting Started....

1. PDS 19" Enclosure x1
2. Keys x2
3. LCD Mounting bracket x1
4. 20mm Open Grommets x3



LCD Mounting Bracket x1



PDS Enclosure X1



20mm Open Grommets x3



Keys x2

Installation Manual

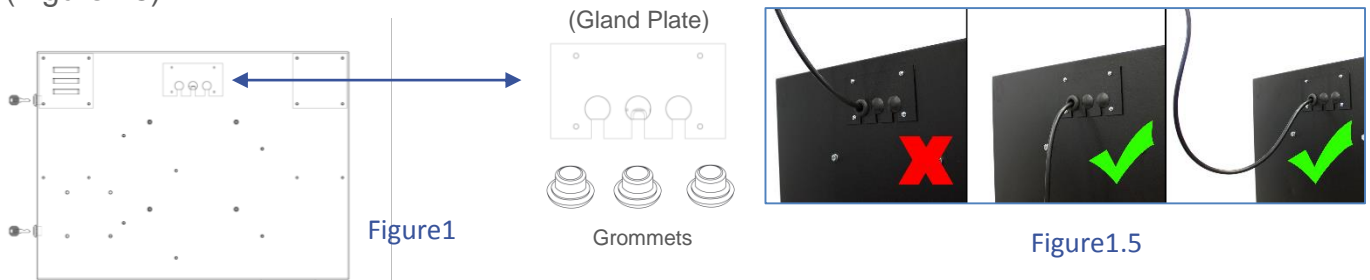
PDS-19"

Page | 2

GLAND PLATE & CABLES

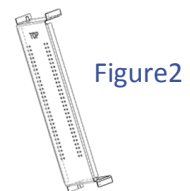
- STEP 1: Open the enclosure with clear access to interior components.
- STEP 2: Choose the location you want to place your media player by taking into account the size of your display and the available space needed. Then secure just the cables from your media player and display into the mains surge protector.
- STEP 3: Feed the surge protector's main power cable out through the gland plate at the back of the unit (remove plate if necessary).
- STEP 4: Use either an open or closed grommet to fill the gland plate holes, while using cable ties to secure any open grommets until they're water tight and screw the gland plate back if necessary (Figure1). Then proceed to make up the plug for the enclosures main's extension.

NOTE: Make sure any cables fed through the gland plate come from below, and do not come down into the enclosure from above. Cables from above allow liquids to track this path into the unit (Figure1.5).



DISPLAY BRACKETS

NOTE: Depending on the situation, customer discretion is best used to determine when and how to mount their display.

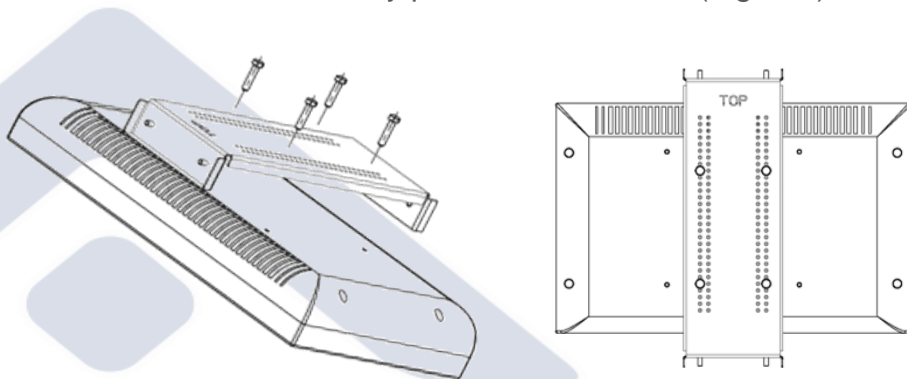


- STEP 5: Check all apparatus is present and correct (Figure2)

LCD MOUNTING BRACKET X1

(NOTE: Screws not provided – depends on display type) **4-6 needed, customer supplied**

- STEP 6: Prepare a surface area to turn your display over, using appropriate covers to prevent any damage being caused to its frontage.
- STEP 7: For a balanced unit, align the LCD mounting bracket alongside the VESA display fixtures, evenly position then fasten (Figure3)



Installation Manual

PDS-19"

Figure3

Page | 3

DISPLAY BRACKETS

STEP 8: Using the diagram shown in Figure4, fasten the LCD bracket to the inner door using the screws already provided (M6 Nylock Nuts & Washers).

(NOTE: All cabling should now be complete)

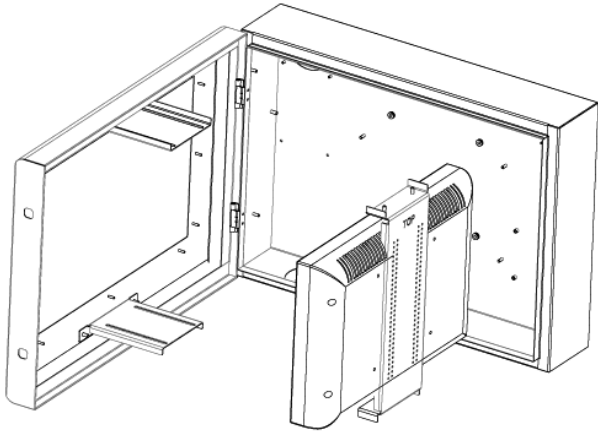


Figure4

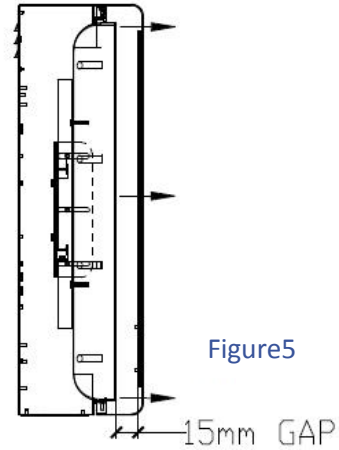


Figure5

STEP 9: FIT...

STEP 10: Close the unit and check that a gap of at least 15mm exists between the display and the screen of the LCD enclosure (Figure5).

STEP 11: To adjust the position of the screen, loosen the nylock nuts and move the display either forward or back until you achieve the correct distance (Figure6).

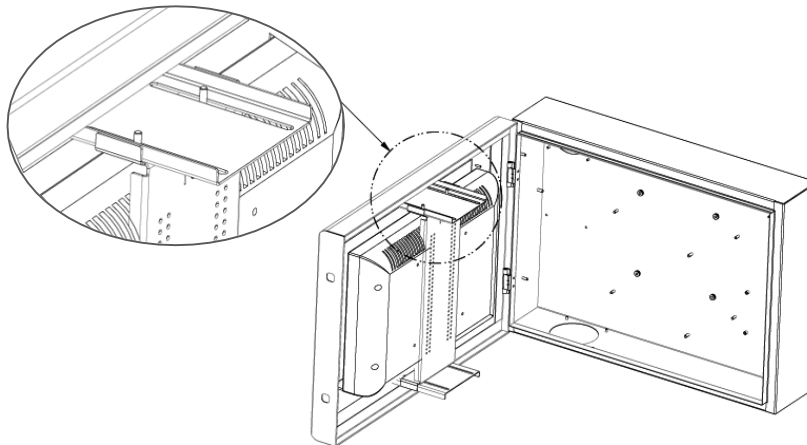


Figure6

STEP 12: Once the LCD has been installed correctly, set down in a safe area and proceed to wall mounting.

NOTE: For maintenance advice, see page 7 for filters, thermostats and display cleaning.

PROCEED TO WALL MOUNTING

Installation Manual

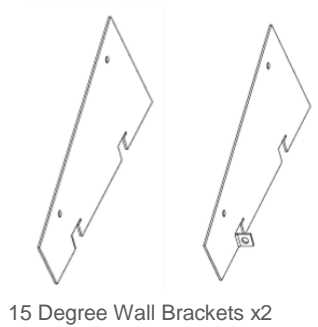
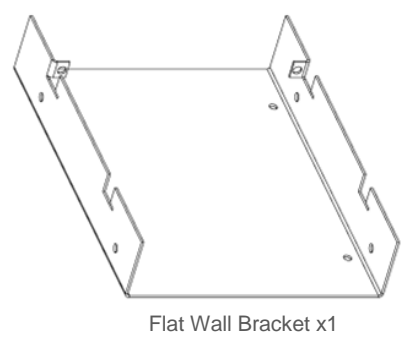
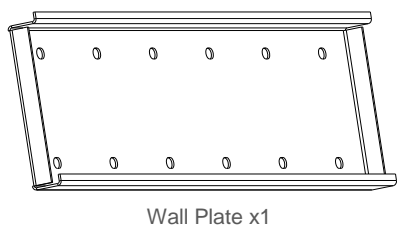
PDS-19"

Page | 4

PARTS LIST

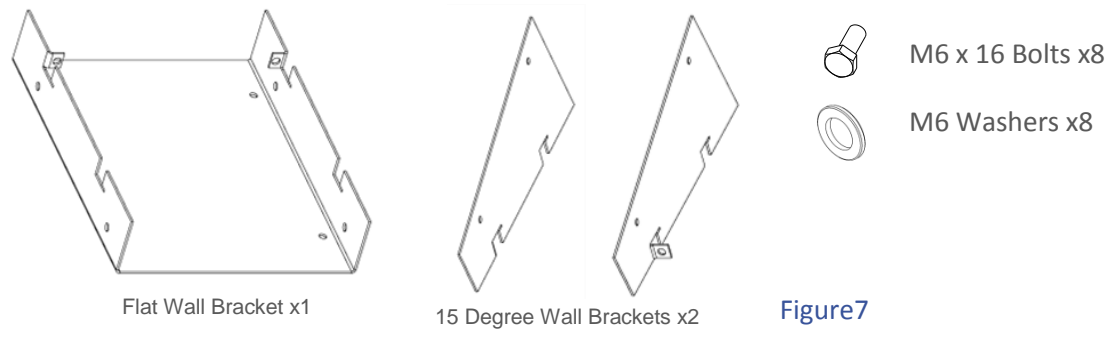
WALL MOUNTING

1. Wall Plate x1
2. Flat Wall Bracket x1 (&)
3. 15 Degree Wall Brackets x2
4. Locking Bar x1
5. Bolts and Washers
 - M6 x 25 Screws x2
 - M6 Washers x8
 - M6 x 16 Bolts x8



ENCLOSURE BRACKETS

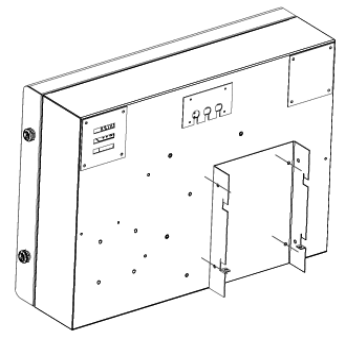
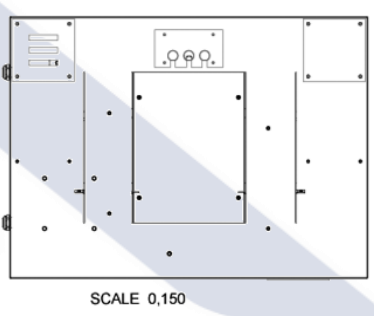
STEP 13: Check all apparatus for the installation is present and correct (Figure7) – You will have one flat and two 15 degree wall brackets.



STEP 14: Retrieve your enclosure and position it with clear access to its back panel.

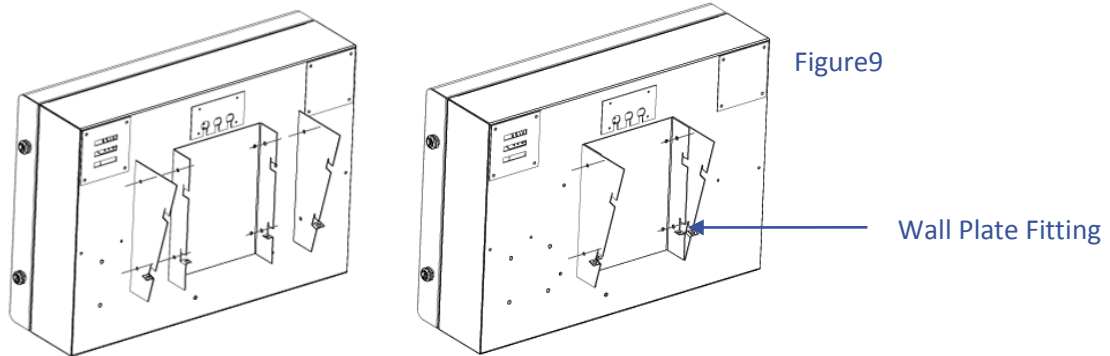
STEP 15: Using a measuring tape, determine the halfway line of the unit from top to bottom.

STEP 16: For a balanced unit, align the mid-point of your bracket mount with the halfway line of your display (Figure8), then equally space and securely attach the bracket with M8 washers and bolts.



ENCLOSURE BRACKETS

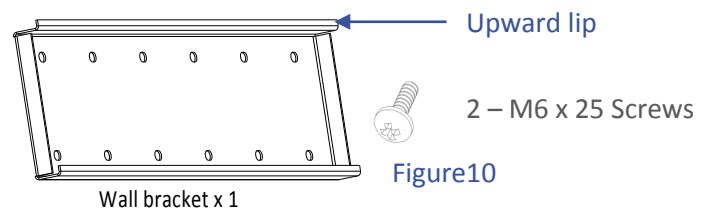
STEP 17: If using the tilted option, attach the brackets alongside the standard mount bracket, making sure to position the Wall Plate 'fittings' facing outwards and on the lower half of the bracket using the M6 x16 washers and bolts (Figure9).



WALL PLATE

STEP 18: Check all apparatus for the installation is present and correct (Figure10)

NOTE: Wall Plate fixtures not provided – depends on surface type, **6 bolts minimum, customer supplied**

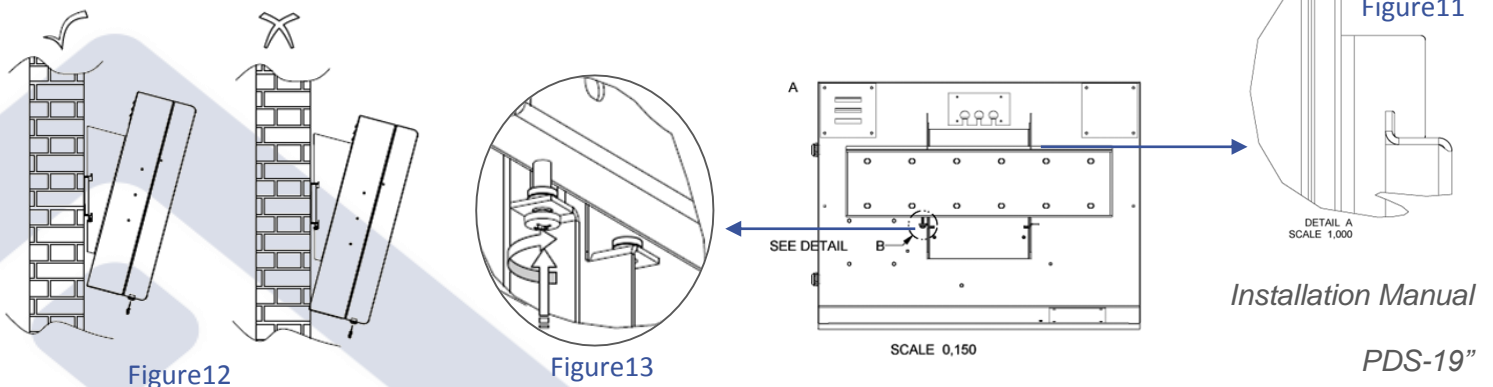


STEP 19: Mark the chosen area for the wall plate making sure it's completely level then secure the plate with the lip facing upwards (figure10), with appropriate fixtures capable of supporting the load (*M8 bolts and suitable wall plugs*).

STEP 20: After making sure the enclosure brackets and wall plate are securely tightened, **steadily lift the enclosure onto the wall plate, ensuring wall brackets are slotted over the wall plates top lip (Figure11)**

(NOTE: An enclosure with a 15 degree bracket must not touch the wall (Figure12), remove and adjust brackets if necessary)

STEP 21: Finally use both M6 x 25 screws on the outward facing sides of both enclosures brackets then tighten with a Phillips screw driver until the bracket and wall plate are clamped together tightly (Figure13).



Installation Manual

PDS-19"

Page | 6

LOCKING BAR

STEP 22: Check all apparatus for the installation is present and correct (Figure14)



STEP 23: Check the enclosure over to make sure it's correctly attached to the wall.

STEP 19": To fully secure the unit to the wall and prevent issues of theft, take the locking bar and feed it through the slots on the mounting brackets and plate (Figure15)

STEP 25: Attach a padlock (Not Supplied) and secure once the locking bar has been securely fitted, power up the unit (Figure15).

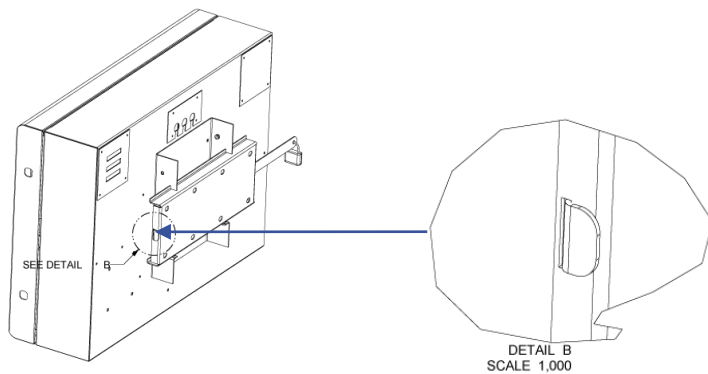


Figure15

ALL DONE!

CONTROLLER BOARD SETUP

NOTE: Not all units are equipped with a controller board. If your unit is not equipped with a controller board, then it will use automatic thermostats instead. Details on how to use the thermostat are found in the maintenance section (11-12).

The printed circuit board (PCB) automatically manages the on-off commands for an enclosure's air curtains, fans, heaters, power outlet and door switch. To reconfigure the controller board, you'll need the setup kit which is provided by Armagard as an optional extra.

Kit Needed:

- Armagard USB Cable
- Armagard USB Drivers
- Windows 7 Laptop
- Phillips Screwdriver

Directions:

1. Locate your Armagard USB cable and terminal software, and have them placed to one side.
2. To configure the PCB you'll need a computer (ideally a laptop) which will be close enough for the USB cable to reach.
3. Place the terminal software on your computer, if you're running a Windows 7 computer then the drivers should be automatically installed. If not, then install the CP210x drivers and select the appropriate 32bit or 64 bit driver. Make note of the 'Terminal' icon which we'll come back to later.
4. Once the drivers are installed, you then need to locate the controller board within your enclosure (figure 1). **NOTE: Make sure the enclosure's power is switched off and unplugged before removing the cover to avoid a risk of an electric shock.**



Figure 1

Installation Manual

PDS-19"

Page | 8

5. Use a Philips screwdriver to remove the steel lid that covers the PCB board and place to one side.
6. Connect the USB cable to your computer and the 3-pin internal connection to the setup port (highlighted red) on the controller board; located on the left hand side, third from the top (figure 2).

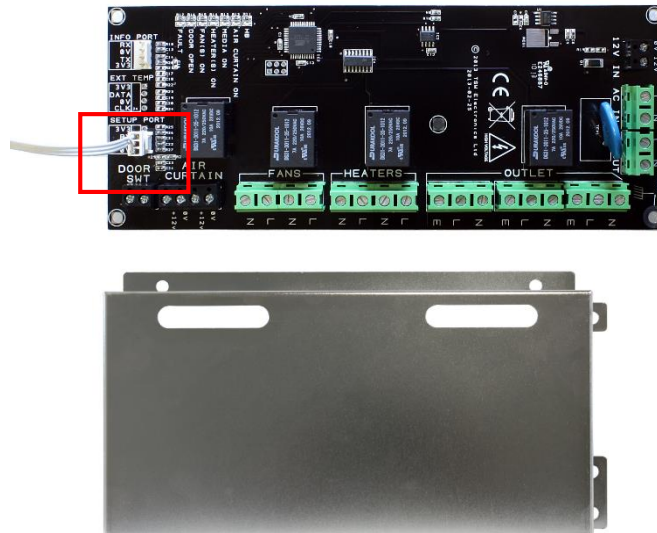


Figure 2

7. Open up the terminal program mentioned from earlier and locate the setup port which will appear as a COM port. Select the correct COM port from the drop down menu as shown in figure 3 box 1. The correct COM port should be the last one on the list from the drop down menu.

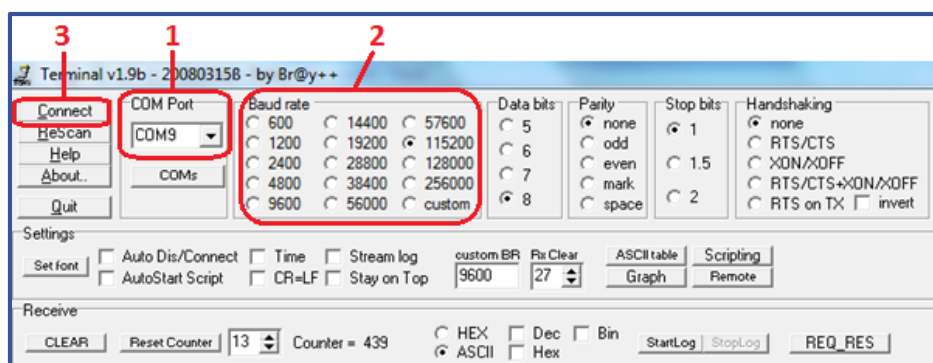


Figure 3

The default BAUD rate for setup is 115200 and the BAUD rate for info is 19200. These can be selected from the pre-set figures shown in figure 3 box 2 above. *Note - A BAUD is a unit used to express the speed of transmission of electronic signals, corresponding to one information unit or event per second.*

Installation Manual

PDS-19"

Page | 9

8. Now click connect, highlighted in figure 3 box 3 above.
9. Once connected, press enter and the enclosures system will be switched off and a menu will be displayed on the terminal program in box 5, the current settings will be displayed for all the components just above the menu shown in box 4 below.

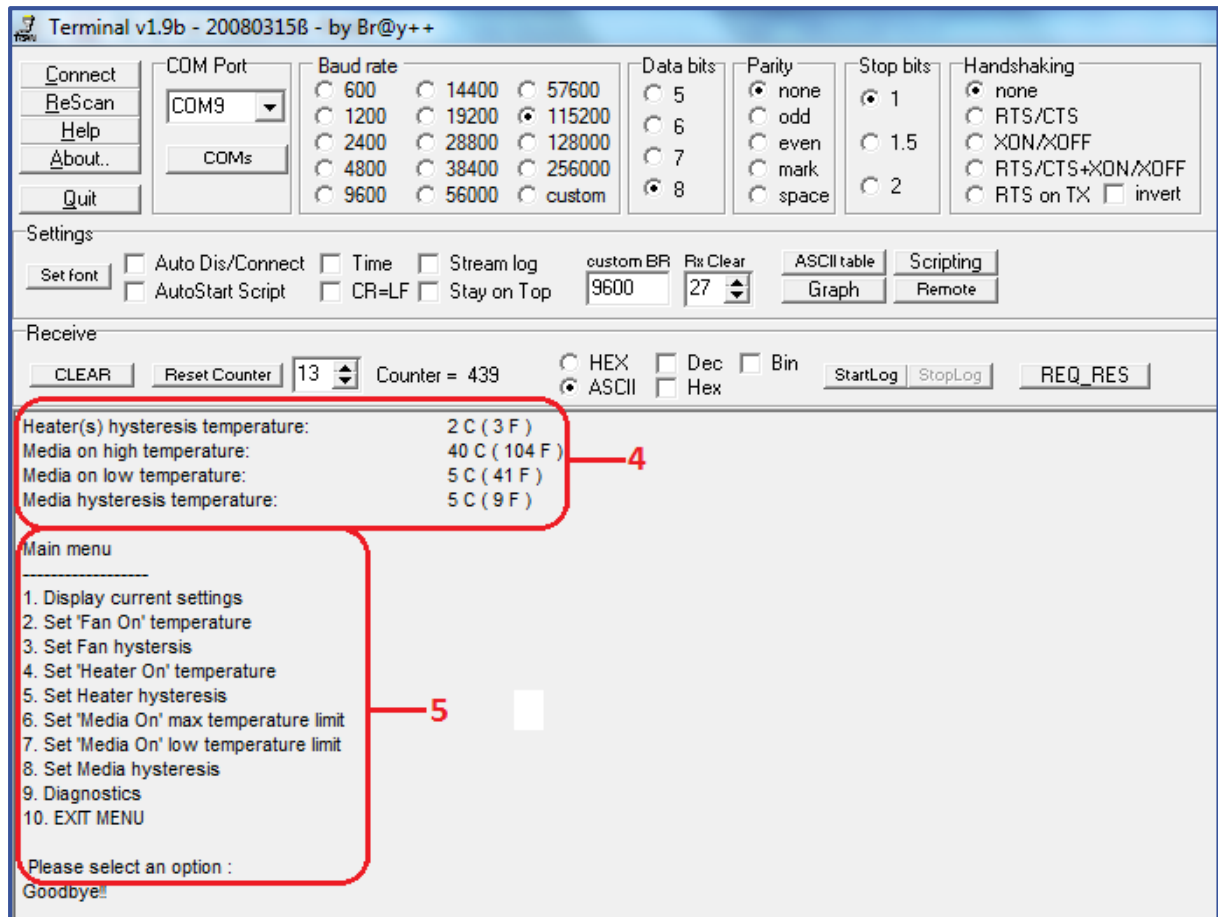


Figure 4

10. The settings for each component can then be changed by selecting the appropriate option from the menu in box 5.

For example, to change the temperature at which the heater comes on enter '4' followed by the return key. Then enter the new value followed by the letter 'C' (for Centigrade) or 'F' (for (Fahrenheit) followed by the return key, such as 40C.

NOTE: The menu will time out after 30 seconds if no commands are received and the system will switch back on.

MAINTENANCE

To ensure your unit lasts as long as possible, take the following precautions.

FAN MAINTENANCE & INTEGRITY

- **Fan Filters** – Every 6 months check and replace used fan filter pads and clean bug screens if necessary.
 - **Replacement Filters are available in packs of 3**
- **Check Enclosure Integrity** – In an outside environment, make sure the enclosure and its mounting bracket haven't been damaged or moved.

THERMOSTAT CONTROL INSTRUCTIONS – To access enclosure thermostats firstly unlock the enclosure (*fixing the support arms*), remove the display and manually adjust the thermostat dials. Repeat process until fully optimised for your environment.

- We recommend **25°C/77°F for cooling and 10°C/50°F for heating**.
Simply turn the thermostat dial to the temperature you wish the component to turn on at – if the fans are set to 40°C, the fans will activate once the internal temperature reaches this heat, and then deactivate when the temperature recedes to a lower temperature.
- ***Be aware, these temperatures are just suggestion and the individual must take into account all environmental factors before setting the thermostat. In addition the heat given off by the LCD display will depend on whatever the customer chooses.***

MAINTENANCE

Screen Cleaning – Polycarbonate and Anti-Reflective Polycarbonate

In order to maintain your polycarbonate in a good condition it is recommended that the sheet be cleaned periodically using suitable household cleaning agents.

The recommended cleaning instructions are as follows:

- Use lukewarm water to rinse and soften dirt.
- Make up a solution of lukewarm water and ordinary household cleaner or mild soap and use this to wash the sheet.
- A sponge or soft cloth should then be used to gently remove dirt and grime and for large areas a pressure washer may be used in a suitable outdoor area.
- Ethyl alcohol or white kerosene used sparingly can be used to remove paint and other such substances.
- The cleaning process should then be repeated and the sheet rinsed with clean water and dried with a soft cloth.

Warning - The following precautions should be observed:

- Do not scrub the sheet with brushes or sharp implements.
- Do not use squeegees.
- Avoid solvents, other than those listed, or any abrasive cleaners.
- Avoid cleaners of a highly alkaline composition.
- Avoid cleaning in the hot sun or high temperatures.

SCREEN CLEANING – GLASS DISPLAY

- For high toughed glass and anti-reflective glass.

Procedure 1

1. On a mild day use hot soapy water and a soft cloth to wash down the glass and eliminate all traces of debris and marks.
2. When the window has been washed, rinse it thoroughly and using a clean cloth, dry the screen to eliminate streaks and blemishes.
3. Alternatively you can use a glass cleaner detergent to get it thoroughly clean.
4. Note: Make sure you work as quickly as possible to avoid streaks appearing during the process.

BEST PRACTICE USE & WARRANTY

- Mount the enclosure using the recommended brackets to ensure integrity. Do not drill or penetrate any additional holes into the enclosure for mounting, as breaking the surface will reduce the ingress rating, and void the warranty agreement.
- Do not block air vents around the enclosure, obstructions to air circulation will cause overheating and void the warranty agreement.
- Do not use enclosures in environments or sheltered areas where the average ambient temperature is higher than the operating temperature of your display without an air-conditioning module.

Installation Manual

PDS-19"

Page | **12**