



PDS OUTDOOR TOTEM 47 – DISPLAY & FLOOR MOUNTING

INSTALLATION MANUAL

47”

READ THIS MANUAL THROUGH BEFORE INSTALLING YOUR UNITS TO ENSURE CORRECT INSTALLATION AND THAT YOU'RE COVERED UNDER WARRANTY.

- The following manual details the vital information and safety precautions needed for a safe installation of the Armagard PDS 47” Outdoor Totem.
- Due to the weight of your enclosure and for personal safety, it is recommended to refer to your company’s own health and safety heavy lifting procedures before moving the enclosure.
- All power must be switched off until the enclosure has been fully assembled and is ready to use.
- If your enclosure is for outdoor use, don’t attempt installation in bad weather; use correct lighting for optimum viewing conditions.
- Electrical plugs and display bracket screws are not provided because of different customer setups.
- Armagard recommends that the enclosure should always be secured to the floor before fitting the AC and screen to avoid any damage during lifting.
- Default thermostat settings can be found on page ten.
- Because of its watertight seal, to lock an enclosure you have to push firmly against the door and then turn the key.
- All images are for reference and example purposes only.

YOUR WARRANTY AGREEMENT IS VOID if you perform any modifications on the enclosure, for example, drilling or penetrating any additional holes into the enclosure.

FOR BEST PRACTICE mount the enclosure using the recommended brackets to ensure integrity.

CONTENTS

• Parts List.....	Pg 2
• Base Mounting.....	Pg 3 - 4
• Gland Plates & Cables.....	Pg 5
• Display Mounting.....	Pg 6
• Mounting Brackets.....	Pg 7
• Display Adjustments.....	Pg 8
• Finishing Up.....	Pg 8
• Controller Board Setup.....	Pg 9 – 11
• Maintenance.....	Pg 12 - 13
• Contact Numbers.....	Pg 14

PARTS LIST

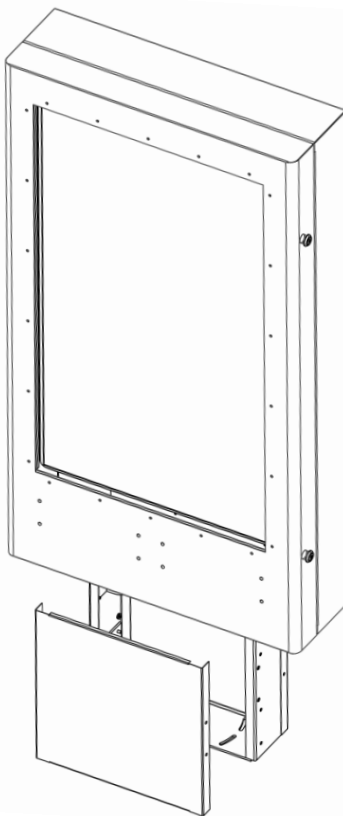
1. Totem Enclosure x1
2. Keys x2
3. 20mm Open Grommets x3
4. M6 Torx spin, security head drill bit. (not pictured)



Keys x2



20mm Open Grommets x3

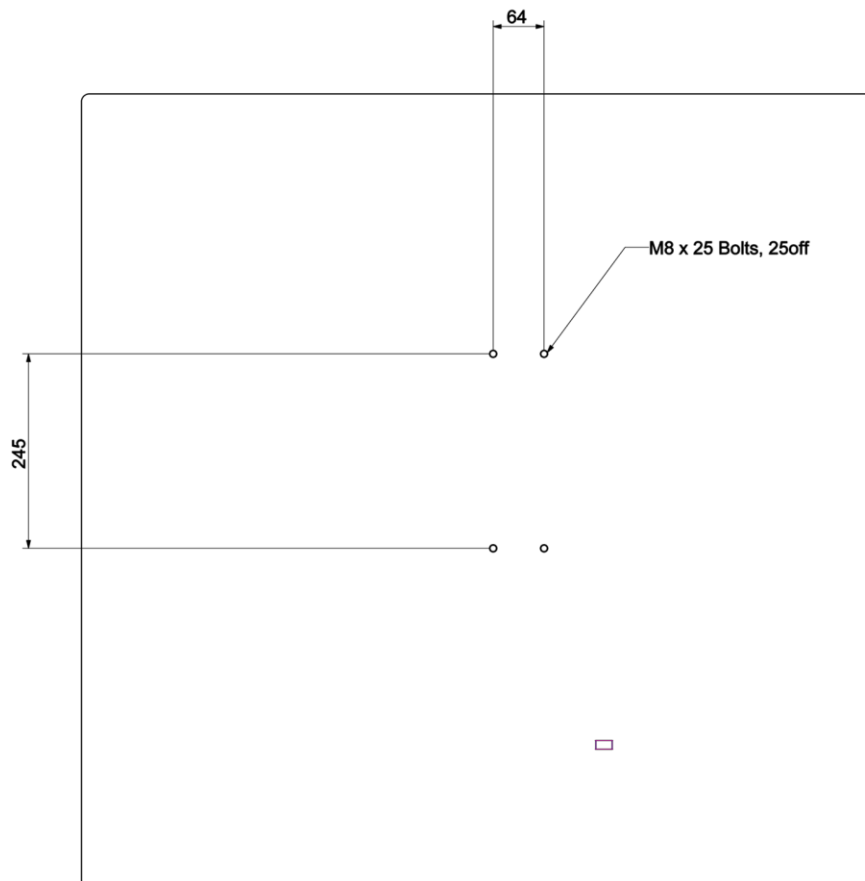


Totem Enclosure x1

BASE MOUNTING

1. Do not open the enclosure's doors until it has been secured to the floor. The Totem must be secured to the floor before anything else and opening the doors without it can cause uneven weighting and possible tipping.
2. Prepare the mounting area with 4 embedded bolts that will secure the enclosure in place (Figure 1). We recommend M8x25 (x4) m8 bolts with appropriate washer and nuts.
3. Make sure to prepare the ground area so any electrical cables can safely feed through to

Figure 1



BASE MOUNTING

NOTE: Images below may differ from your unit, but installation practice remains the same.

4. Using 2-3 individuals to support the enclosure (making sure the door is locked), use the M6 Torx drill bit to remove the front and back panels on the enclosure's stand (Figure 2).
5. Feed any electrical wires through the circular gap, then manoeuvre the enclosure onto the embedded screws and secure with the appropriate bolt heads (Figure 3).
6. Once secure, test enclosure stability with gentle movement.

Figure 2

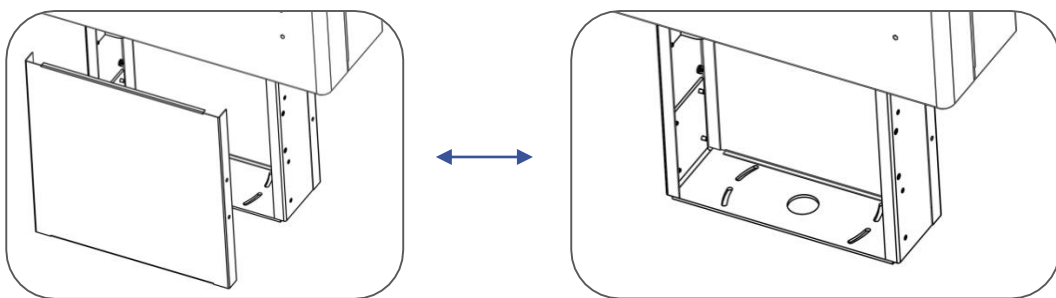
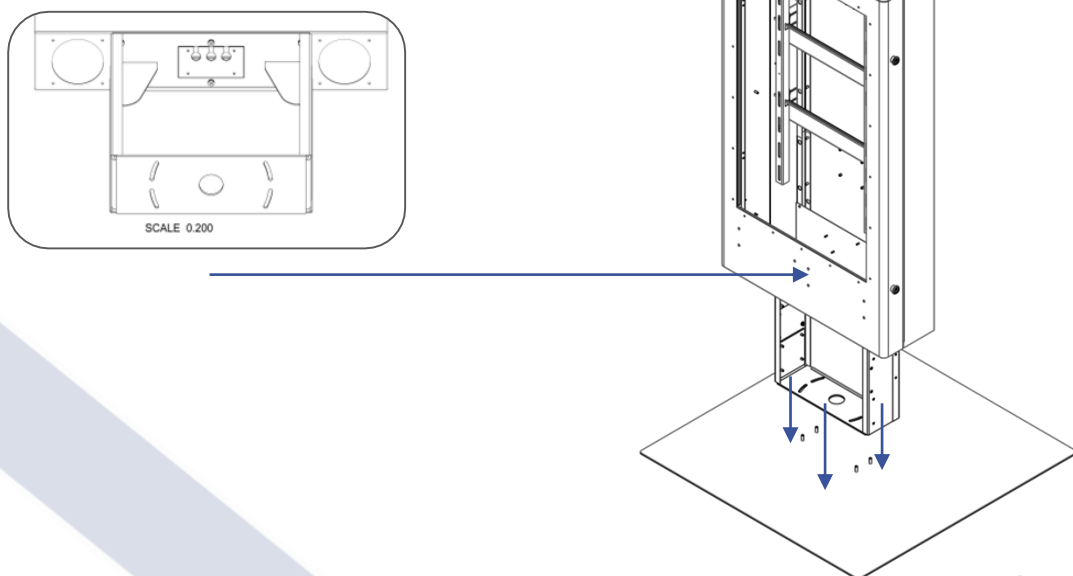


Figure 3



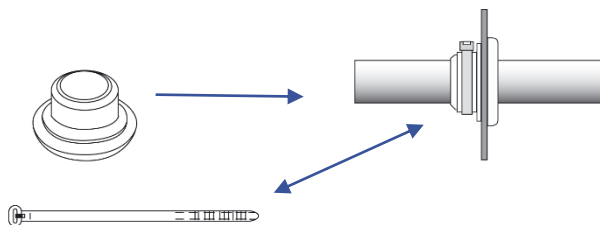
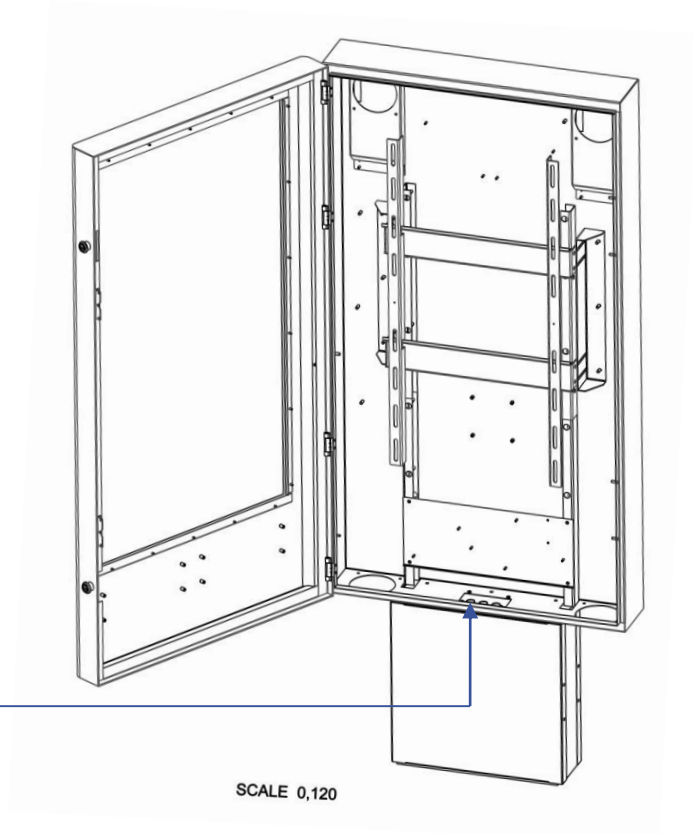
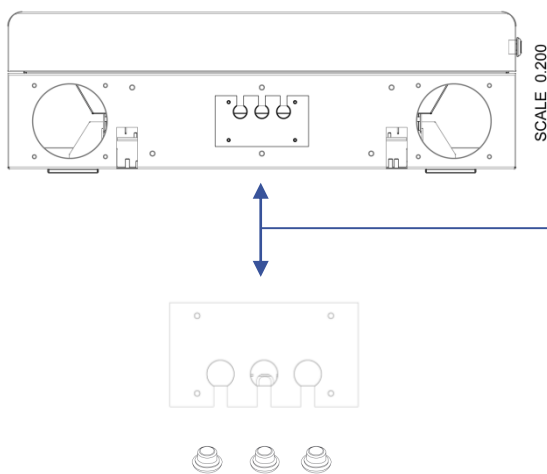
Installation Manual
PDS-47

Page | 4

GLAND PLATE & CABLES

7. Open one enclosure door and remove the 'closed' rubber gland seals and pull through any external cables (Figure 4). Then use either an open or closed grommet to fill in the gland plate holes again, using a cable tie to secure any open grommets until they're water tight. Screw the gland plate back if removed.
8. Plug all interior cabling in to the surge protector now, ready for your display.
9. Close and lock the enclosure.

Figure 4

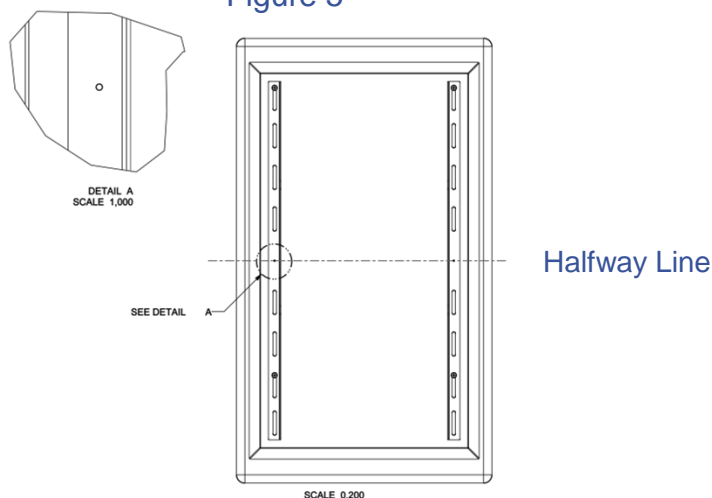


DISPLAY BRACKETS

NOTE: If using Samsung Brackets skip to end of section.

10. Prepare a surface area to turn your display over, using appropriate covers to prevent any damage to the front.
11. Turn your display over and use a measuring tape to determine the halfway line of your unit.
12. For a balanced unit, align the centre hole of the bracket with the halfway line of your display (Figure 5), then secure with equally spaced screw fittings, while taking into account the size of your display (adjustment may be required depending on screen type).

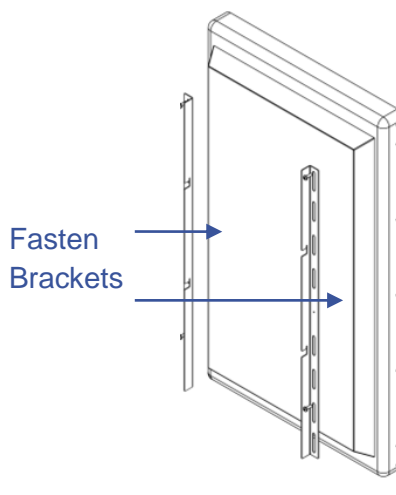
Figure 5



13. Using the diagram shown in (Figure 6), fasten the brackets with the 4 or 6 screws suited to wards your display type.

Figure 6

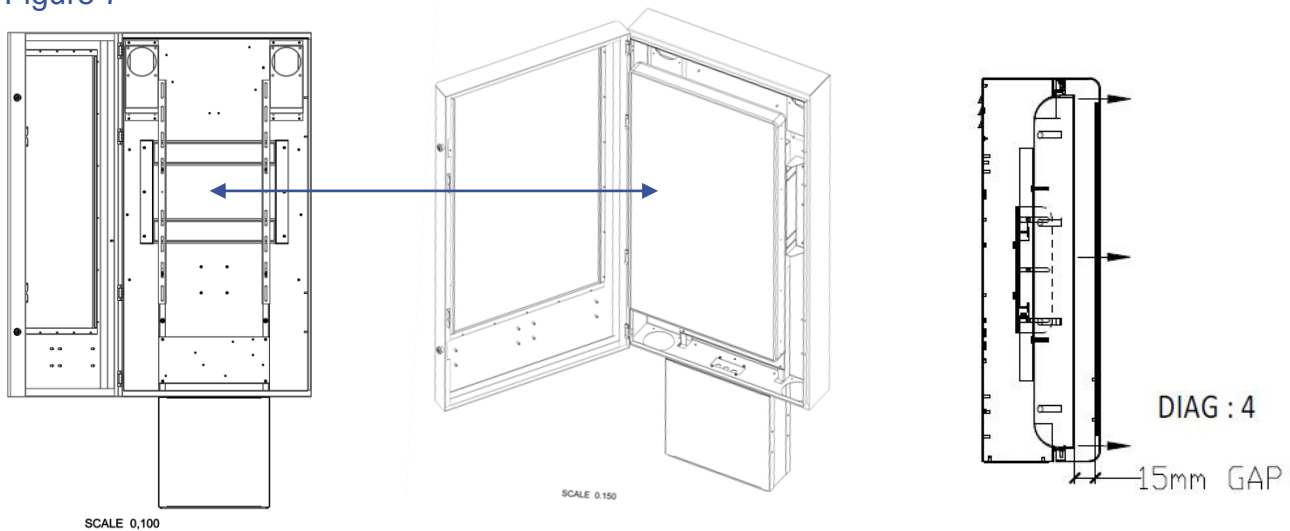
This way up



MOUNTING BRACKETS

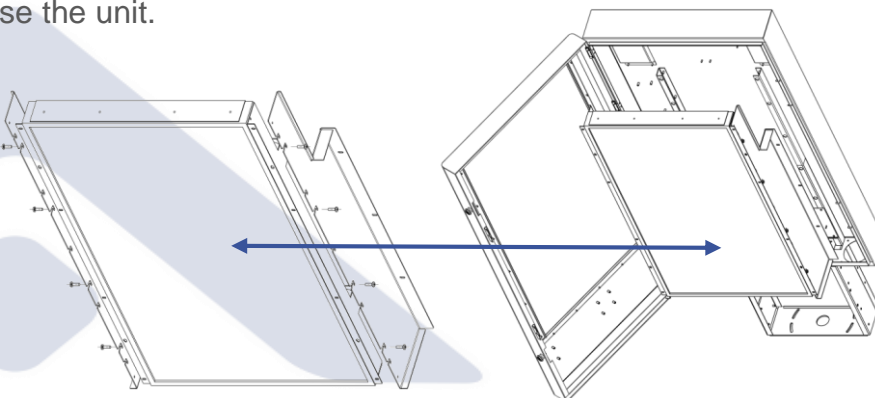
14. Now safely place your display into the enclosure using the interior mounting plate, making sure all cables have been connected (Figure 7).
15. Close the unit and check that a gap of at least 15mm exists between the display and the screen of the LCD enclosure. Use step 16 to reposition your display if a bigger gap exists.

Figure 7



SAMSUNG Mounting Brackets

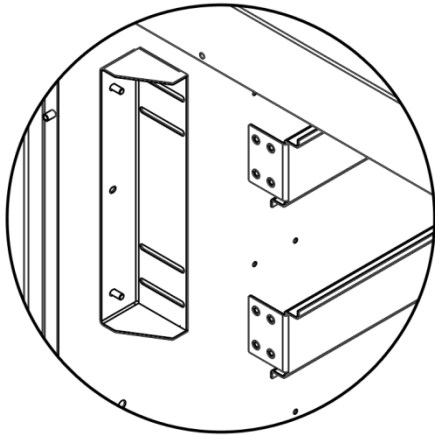
- The Samsung Hi-Bright screen uses different mounting to secure the display.
- Locating the fixture holes located at either side of display; part screw at least four screws on to each side of the display (**see below**).
- Make sure the L shaped brackets are installed and all cables are secure. Lift the display onto the display brackets, once in place fully tighten the screws to secure the display (**see below**).
- Close the unit.



DISPLAY ADJUSTMENTS

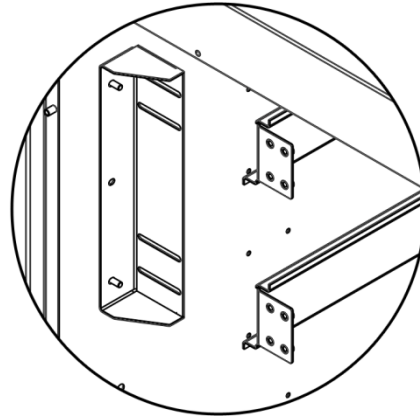
16. Adjustment instructions for the interior mounting plate.

- To Raise: Loosen the screws and raise the interior bracket forwards and fasten to decrease the distance from the LCD screen and the window (Figure 8).
- To Lower: Loosen the fittings, rotate the bracket, lower and fasten to increase the distance between the display and the window (Figure 9).



Raise brackets to raise.

Figure 8



Rotate brackets to lower.

Figure 9

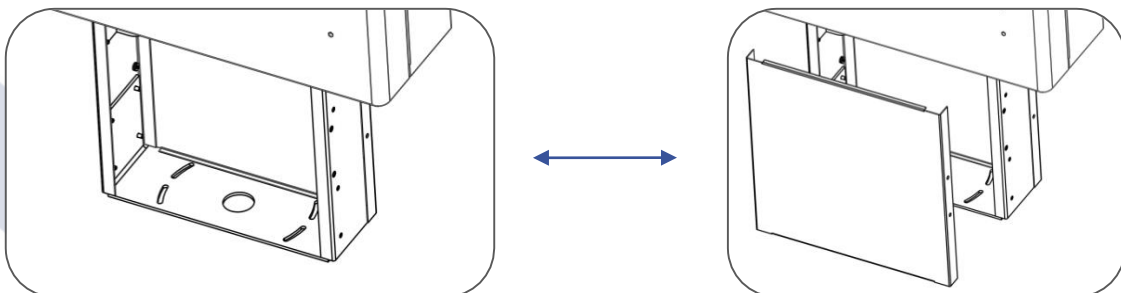
FINISHING UP

17. Once all hardware is secured, replace the stand panels and secure with the screws with the M6 Torx drill bit (Figure 10)

18. To finish, power up and check all your content is ready.

NOTE: For maintenance advice, see page 11 for filters, thermostats and display cleaning.

Figure 10



CONTROLLER BOARD SETUP

The printed circuit board (PCB) automatically manages the on-off commands for an enclosure's air curtains and fans, heaters, and media off switch. To reconfigure the controller board, you'll need the setup kit which is provided by Armagard as an optional extra.

All controller boards are automatically set-up with default temperatures (below), if you want to change these settings then follow the below instructions.

Defaults: Fans on @25°C, Heaters @10°C, Media off (high) @42°C and (low) @0°C

Defaults: Fans on @77°F, Heaters @50°F, Media off (high) @107.6°F and (low) @32°F

NOTE: Not all units are equipped with a controller board. If your unit is not equipped with a controller board, then it will use automatic thermostats instead. Details on how to use the thermostat are found in the maintenance section (Pg12).

Kit Needed:

- Armagard USB Cable
- Armagard USB Drivers
- Windows 7 Laptop
- Phillips Screwdriver

Directions:

1. Locate your Armagard USB cable and terminal software, and have them placed to one side.
2. To configure the PCB you'll need a computer (ideally a laptop) which will be close enough for the USB cable to reach.
3. Place the terminal software on your computer, if you're running a Windows 7 computer then the drivers should be automatically installed. If not, then install the CP210x drivers and select the appropriate 32bit or 64 bit driver. Make note of the 'Terminal' icon which we'll come back to later.
4. Once the drivers are installed, you then need to locate the controller board within your enclosure (figure 1). **NOTE: Make sure the enclosure's power is switched off and unplugged before removing the cover to avoid a risk of an electric shock.**



Figure 1

5. Use a Philips screwdriver to remove the steel lid that covers the PCB board and place to one side.

- 6. Connect the USB cable to your computer and the 3-pin internal connection to the setup port (highlighted red) on the controller board; located on the left hand side, third from the top (figure 2).

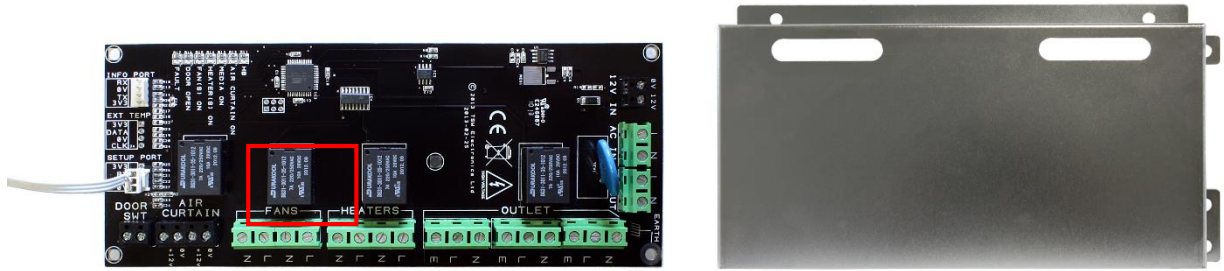


Figure 2

- 7. Open up the terminal program mentioned from earlier and locate the setup port which will appear as a COM port. Select the correct COM port from the drop down menu as shown in figure 3 box 1. The correct COM port should be the last one on the list from the drop down menu.

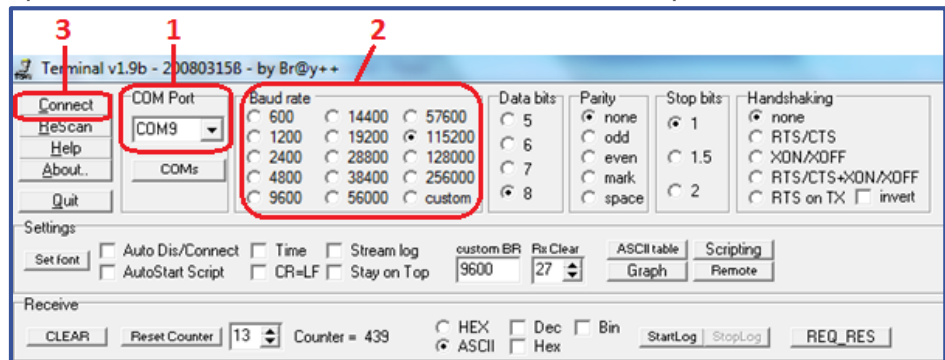


Figure 3

The default BAUD rate for setup is 115200 and the BAUD rate for info is 19200. These can be selected from the pre-set figures shown in figure 3 box 2 above. *Note - A BAUD is a unit used to express the speed of transmission of electronic signals, corresponding to one information unit or event per second.*

- 8. Now click connect, highlighted in figure 3 box 3 above.
- 9. Once connected, press enter and the enclosures system will be switched off and a menu will be displayed on the terminal program in box 5, the current settings will be displayed for all the components just above the menu shown in box 4 below.



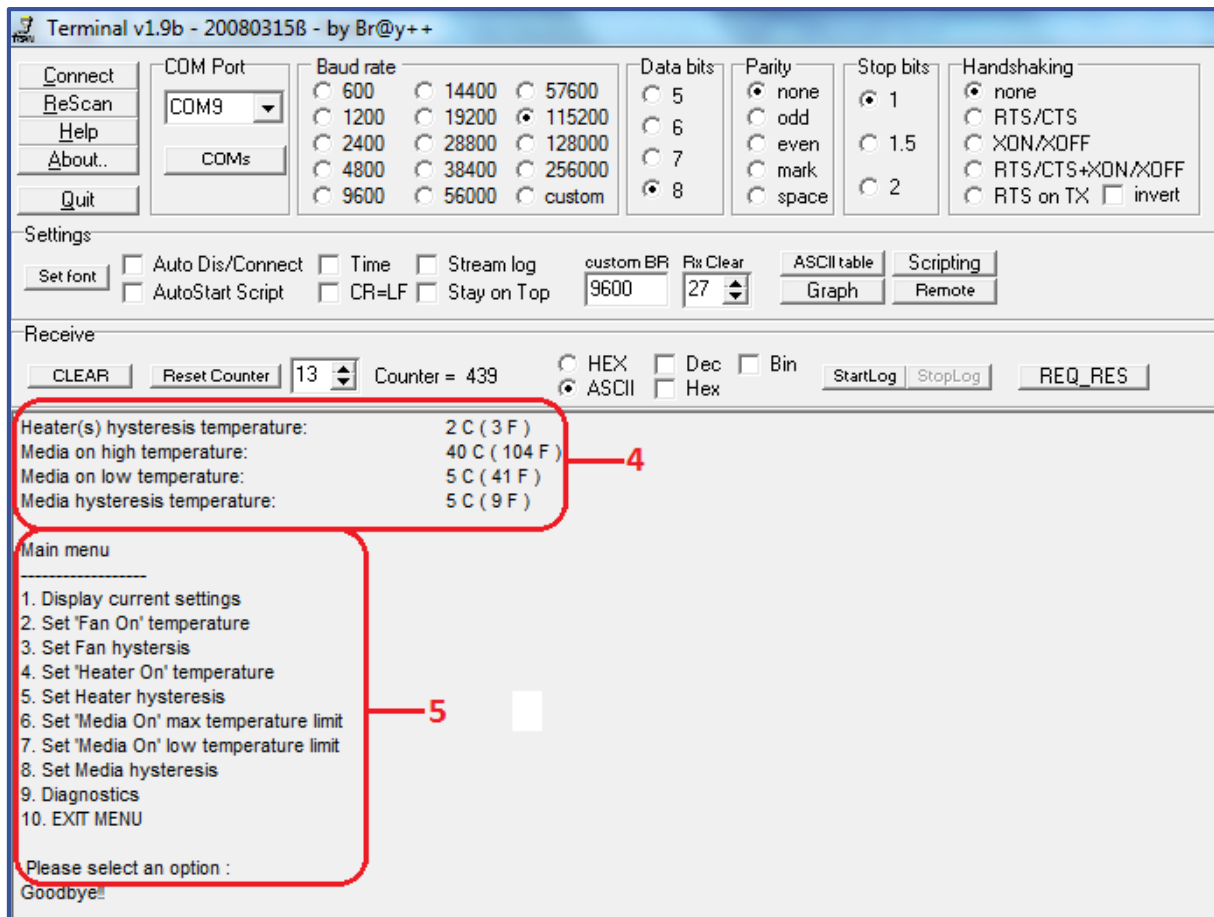


Figure 4

10. The settings for each component can then be changed by selecting the appropriate option from the menu in box 5.

For example, to change the temperature at which the heater comes on enter '4' followed by the return key. Then enter the new value followed by the letter 'C' (for Centigrade) or 'F' (for Fahrenheit) followed by the return key, such as 40C.

NOTE: The menu will time out after 30 seconds if no commands are received and the system will switch back on.



MAINTENANCE

FAN MAINTENANCE & INTEGRITY

To ensure your unit lasts as long as possible, take the following precautions.

8. Fan Filters – Every 6 months check and replace used fan filter pads and clean bug screens if necessary.
 - *Replacement Filters are available in packs of 3*
9. Check Enclosure Integrity – In an outside environment, make sure the enclosure and its mounting bracket haven't been damaged or moved.

THERMOSTAT CONTROL INSTRUCTIONS – To access enclosure thermostats firstly unlock the enclosure (*fixing the support arms*), remove the display and manually adjust the thermostat dials. Repeat process until fully optimised for your environment.

10. We recommend 25°C/77°F for cooling and 10°C/50°F for heating.
Simply turn the thermostat dial to the temperature you wish the component to turn on at – if the fans are set to 40°C, the fans will activate once the internal temperature reaches this heat, and then deactivate when the temperature recedes to a lower temperature.
11. *Be aware, these temperatures are just suggestion and the individual must take into account all environmental factors before setting the thermostat. In addition the heat given off by the LCD display will depend on whatever the customer chooses.*

ENCLOSURE STABILITY

To ensure your unit lasts as long as possible, take the following precautions.

12. Check Enclosure Integrity – In an outside environment, make sure the enclosure and its mounting bracket haven't been damaged or moved by adverse weather conditions.
13. Screws & Padlock – Check the safety screws are tight and padlock if the locking bar is secure and not been tampered with.



MAINTENANCE

Screen Cleaning – Polycarbonate and Anti-Reflective Polycarbonate

In order to maintain your polycarbonate in a good condition it is recommended that the sheet be cleaned periodically using suitable household cleaning agents.

The recommended cleaning instructions are as follows:

- Use lukewarm water to rinse and soften dirt.
- Make up a solution of lukewarm water and ordinary household cleaner or mild soap and use this to wash the sheet.
- A sponge or soft cloth should then be used to gently remove dirt and grime and for large areas a pressure washer may be used in a suitable outdoor area.
- Ethyl alcohol or white kerosene used sparingly can be used to remove paint and other such substances.
- The cleaning process should then be repeated and the sheet rinsed with clean water and dried with a soft cloth.

Warning - The following precautions should be observed:

- Do not scrub the sheet with brushes or sharp implements.
- Do not use squeegees.
- Avoid solvents, other than those listed, or any abrasive cleaners.
- Avoid cleaners of a highly alkaline composition.
- Avoid cleaning in the hot sun or high temperatures.

SCREEN CLEANING – GLASS DISPLAY

- For high toughed glass and anti-reflective glass.

Procedure 1

1. On a mild temperature day, use hot soapy water and wash down the glass to eliminate all traces of debris and marks.
2. When the window has been washed, rinse it thoroughly and using a clean cloth, dry the screen to eliminate streaks and blemishes.
3. Alternatively you can use a glass cleaner detergent to get it thoroughly clean.
4. Note: Make sure you work as quickly as possible to avoid streaks appearing during the process.

BEST PRACTICE USE & WARRANTY

1. Mount the enclosure using the recommended brackets to ensure integrity. Do not drill or penetrate any additional holes into the enclosure for mounting, as breaking the surface will reduce the ingress rating, and void the warranty agreement.
2. Do not block air vents around the enclosure, obstructions to air circulation will cause overheating and void the warranty agreement.
3. Do not use enclosures in environments or sheltered areas where the average ambient temperature is higher than the operating temperature of your display without an air conditioning module.

*Installation Manual
PDS-47*

Page | **13**

CONTACT NUMBERS



France

PHONE: 0826-805-680

EMAIL: sales.fr@armagard.com



Italy

PHONE: 06.657487381

EMAIL: sales.it@armagard.com



Spain

PHONE: 911-819-768

EMAIL: sales.es@armagard.com



United States of America

PHONE: 1-866-434-0807

EMAIL: sales.us@armagard.com



Germany

PHONE: 02821-777-6-2804

EMAIL: sales.de@armagard.com



Poland

PHONE: 022-526-6149

EMAIL: sales.pl@armagard.com



United Kingdom

PHONE: 0121-608-7226

EMAIL: sales@armagard.com

