



ARMAGARD PDS 60/70 – DISPLAY & WALL MOUNTING

(ENGLISH)

INSTALLATION MANUAL

60”-70”

READ THIS MANUAL THROUGH BEFORE INSTALLING YOUR UNITS TO ENSURE CORRECT INSTALLATION AND THAT YOU’RE COVERED UNDER WARRANTY.

- The following manual details the vital information and safety precautions needed for a safe installation of the Armagard PDS 60”/70” landscape enclosure.
- Due to the weight of your enclosure and for personal safety, it is recommended to refer to your company’s own health and safety heavy lifting procedures before moving the enclosure.
- All power must be switched off until the enclosure has been fully assembled and is ready to use.
- If your enclosure is for outdoor use, don’t attempt installation in bad weather; use correct lighting for optimum viewing conditions.
- Tools required for installation, Phillips Screwdriver, Drill and Sockets Kit or Wrench
- Electrical plugs, display bracket screws and wall plate bolts are not provided because of different customer setups.
- Armagard recommends that all enclosures should be securely attached to the wall before fitting the display to avoid any damage during lifting.
- Default thermostat settings can be found on page eleven.
- Because of its watertight seal, to lock an enclosure you have to push firmly against the door and then turn the key to lock.

YOUR WARRANTY AGREEMENT IS VOID if you perform any modifications on the enclosure, for example, drilling or penetrating any additional holes into the enclosure.

FOR BEST PRACTICE mount the enclosure using the recommended brackets to ensure integrity.

PDS-60/70

Installation Manual Page | 1

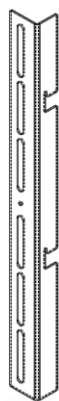
CONTENTS

- **Display Mounting**
 - Parts List..... Pg 2
 - Gland Plate & Cables..... Pg 3
 - Display Brackets Pg 4-6
 - Finishing Up..... Pg 7
- **Wall Mounting**
 - Parts List..... Pg 7
 - Enclosure Brackets..... Pg 8
 - Wall Plate..... Pg 9
 - Locking Bar..... Pg 10
 - Controller Board..... Pg 11-13
- **Maintenance**..... Pg 14-15

PARTS LIST

DISPLAY MOUNTING

1. PDS Enclosure x1
2. Keys x2
3. LCD Mounting Brackets x2
4. 20mm Open Grommets x3

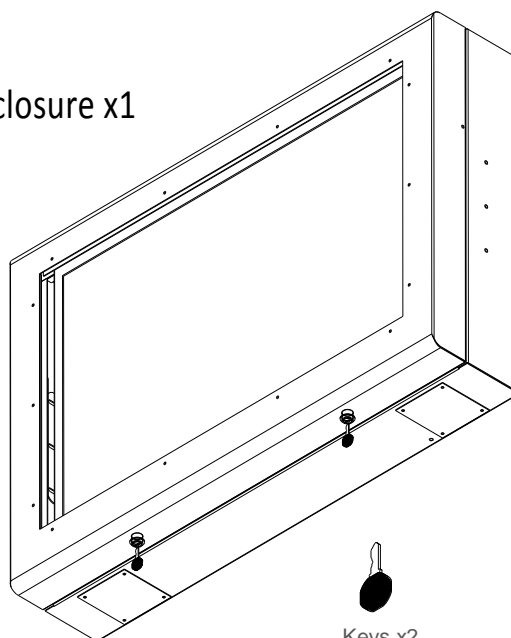


LCD Mounting
bracket
x2



20mm
Grommets x3

Enclosure x1



Keys x2

PDS-60/70

GLAND PLATE & CABLES

- STEP 1:** Unlock the door and position the enclosure on its back, securing the door stays within the side pins. Beware of the enclosure falling back due to its weight, have it supported.
- STEP 2:** Choose the location you want to place your media player by taking into account the size of your display and the available space needed. Then secure just the cables from your media player and display into the mains surge protector.
- STEP 3:** Carefully raise the enclosure up (Figure 1) and feed the surge protectors main power cable out through the gland plate at the back of the unit (remove plate if necessary).
- STEP 4:** Use either an open or closed grommet to fill the gland plate holes, while using cable ties to secure any open grommets until they're water tight and screw the gland plate back if necessary (Figure 1).
- NOTE:** Make sure any cables fed through the gland plate come from below, and do not come down into the enclosure from above. Cables from above allow liquids to track this path into the unit (Figure 1.5).
- STEP 5:** Close and lock the enclosure, then proceed to make up the plug for the enclosures main's extension.

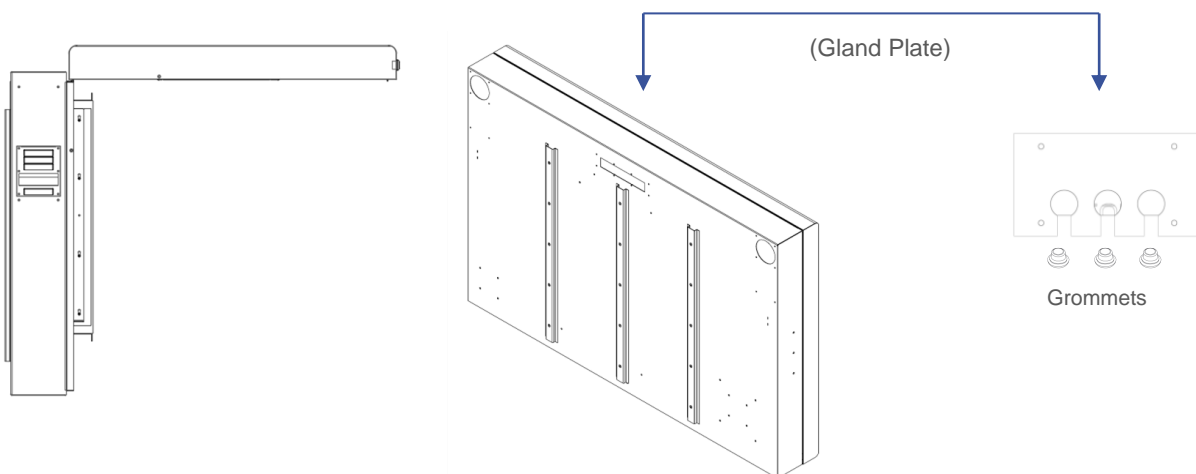
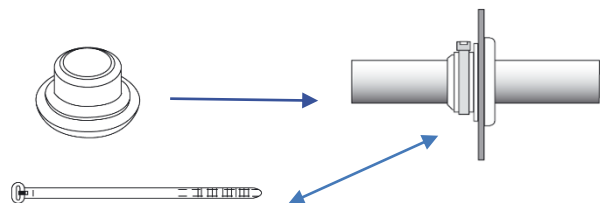


Figure 1

Figure 1.5



DISPLAY BRACKETS

STEP 6: Check all apparatus for the installation is correct (Figure 2)

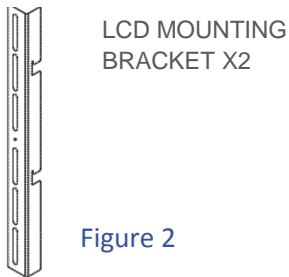


Figure 2

NOTE: Screws not provided – depends on display type) 4-6 needed, customer supplied

STEP 7: Prepare a surface area to turn your display over, using appropriate covers to prevent any damage being caused to its front.

STEP 8: Turn your display over and using measuring tape, determine the halfway point of the unit.

STEP 9: For a balanced unit, align the centre hole of the bracket with the halfway line of your display (Figure 3) and determine equally spaced screw fittings, taking into account the size of your display (adjustment may be required depending on screen type).

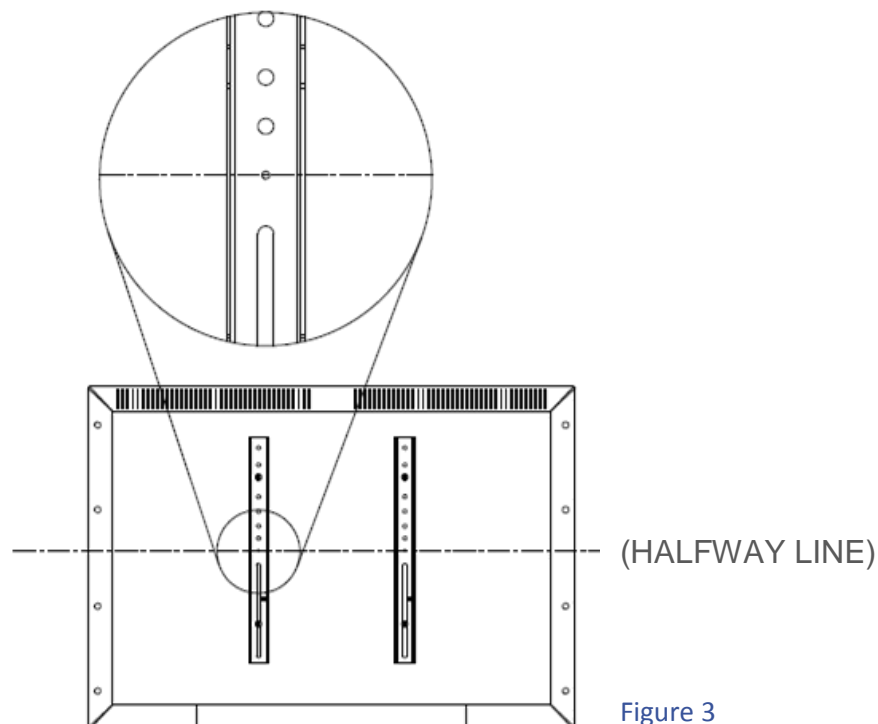


Figure 3

DISPLAY BRACKETS

STEP 10: Using the diagram shown in Figure 4, fasten the brackets with the 4 or 6 screws suited to your LCD Display type.

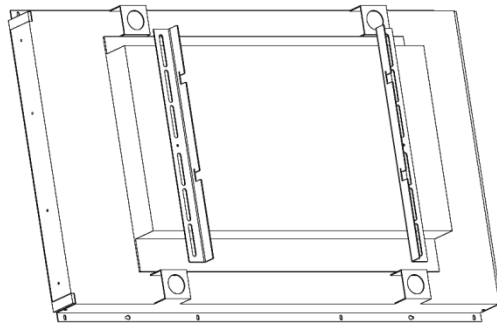


Figure 4

(NOTE: All cabling should now be complete; access to the back is limited once the display is secured)

STEP 11: Unlock the door and position the enclosure on its back, securing the door stays within the side pins, and then safely place your display into the enclosure using the interior mounting plate (Figure 5).

STEP 12: A gap of 15mm must exist between the air curtain and the enclosure window, any less and you risk insufficient cooling to keep the display working (Figure 6)

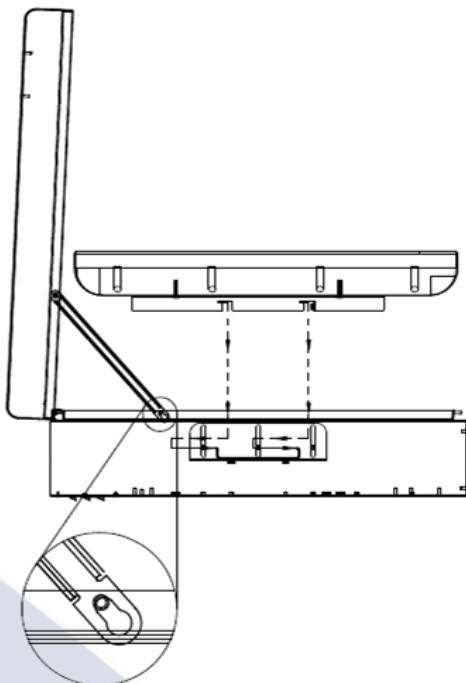


Figure 5

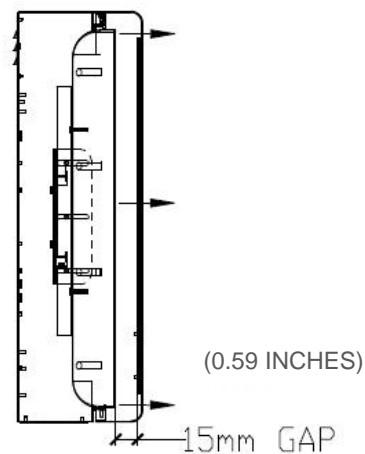


Figure 6

(NOTE: For screen adjustment continue to STEP 13)

PDS-60/70

STEP 13: Adjustment instructions for the interior mounting plate.

- To Raise: Loosen the screws and raise the interior bracket forwards and fasten to decrease the distance from the LCD screen and the window (Figure 7).
- To Lower: Loosen the fittings, rotate the bracket, lower and fasten to increase the distance between the display and the window (figure 8).

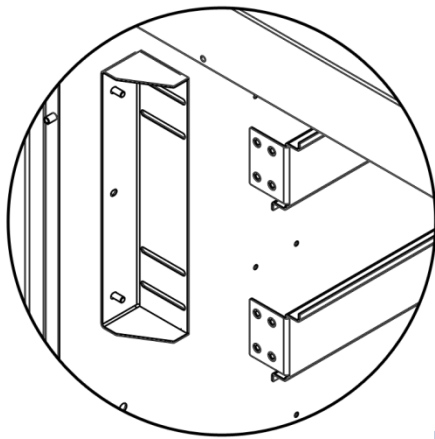


Figure 7

Raise brackets to raise.

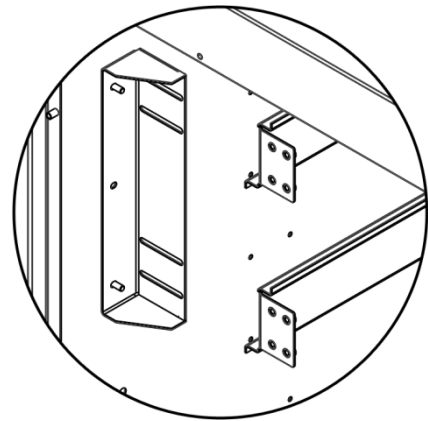


Figure 8

Rotate brackets to lower.

FINISHING UP

- **STEP 14:** Once the LCD fits correctly, remove the display, set down in a safe area and then lock the enclosure
- **NOTE:** Armagard recommend that all enclosures should be securely attached to the wall before fitting the display, to avoid any damage during lifting.

PROCEED TO WALL MOUNTING

NOTE: For maintenance advice, see page 14 for filters, thermostats and display cleaning.

PARTS LIST

Getting Started....

1. Wall Plate x1
2. Flat Wall Brackets x3 (**or**)
3. 15 Degree Wall Brackets x2
4. Locking Bar
5. Bolts and Washers
 - M8 x 16 Bolts x9
 - M8 Washers x9
 - M6 x 25 Screws x3

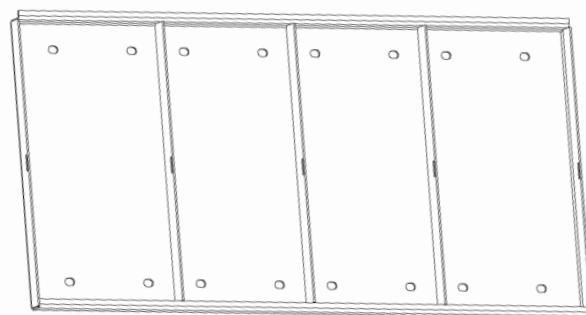
M8 x 16 Bolts x9



M6 x 25 Screws x3



M8 Washers x9



Wall Plate x1



NOTE: The PDS 60 will have 2 flat wall brackets, while the 70 will have 3.

PDS-60/70

ENCLOSURE BRACKETS

STEP 15: Check all apparatus for the installation is present and correct (Figure 9) – Depending on your setup you will have either **(3)** flat or **(2)** 15 degree wall brackets.

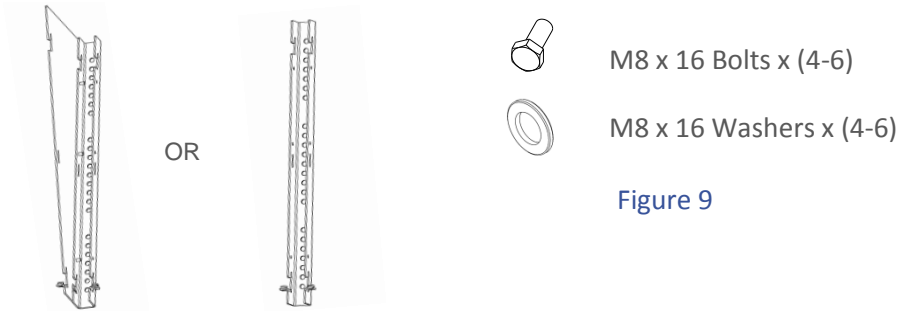


Figure 9

STEP 16: Retrieve your enclosure and position it for clear access to its back panel.

STEP 17: Using a measuring tape, determine the halfway line of the unit from top to bottom (Figure 10).

STEP 18: For a balanced unit, align the centre hole of the bracket with the halfway line of your display (Figures 11 & 12), then equally space and securely attach you're flat or tilt brackets with M8 washers and bolts.

Figure 11

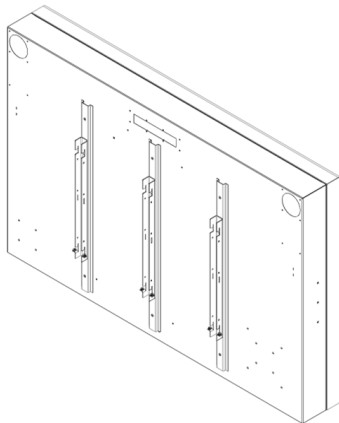


Figure 10

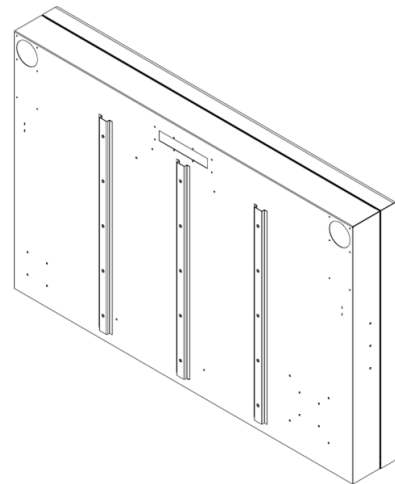
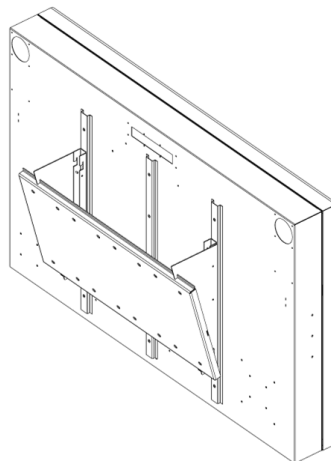


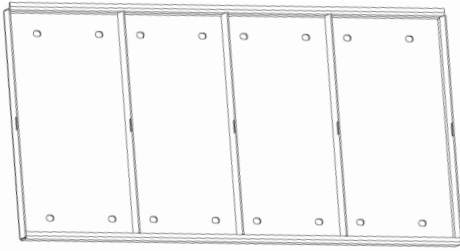
Figure 12



PDS-60/70

WALL PLATE

STEP 19: Check all apparatus for the installation is present and correct (Figure 13)



2 – M6 x 25 Screws

Figure 13

NOTE: Wall Plate fixtures not provided – depends on surface type) minimum of 6 bolts, customer supplied.

STEP 20: Mark the chosen area for the wall plate making sure it's completely level then secure the plate with the lip facing upwards (figure 14), using appropriate fixtures capable of supporting the load (*M8 bolts and suitable wall plugs*).

STEP 21: After making sure the enclosure brackets and wall plate are securely tightened, steadily lift the enclosure onto the wall plate and fit (Figure 15), ensuring wall brackets are slotted over the wall plates top lip.

(NOTE: A 15 degree bracket must not touch the wall, remove and adjust brackets if necessary (Figure 15))

STEP 22: Finally use both M6 x 25 screws on the outward facing sides of both enclosures brackets, then tighten with a Phillips screw head until the bracket and wall plate are clamped together tightly (Figure 16).

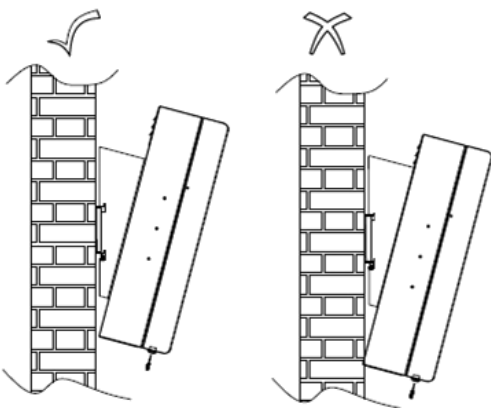


Figure 15

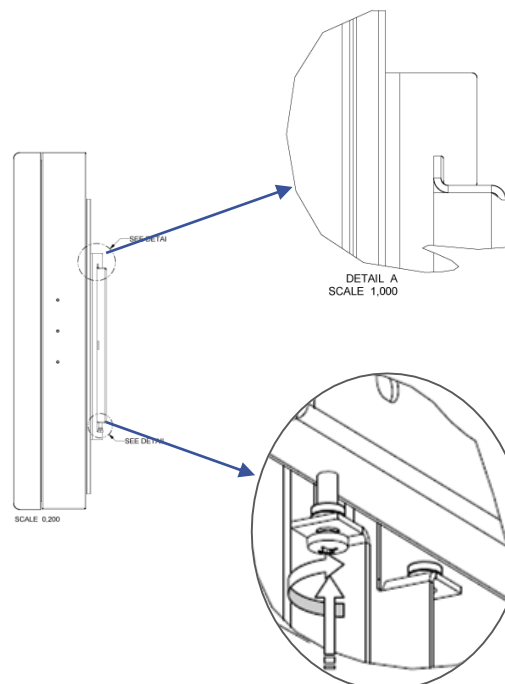


Figure 14

Figure 16

PDS-60/70

LOCKING BAR

STEP 23: Check all apparatus for the installation is present and correct (Figure 17)



Figure 17

STEP 24: Check the enclosure over to make sure it's correctly attached to the wall.

STEP 25: To fully secure the unit to the wall and prevent issues of theft, take the locking bar and feed it through the slots on the mounting brackets and plate (Figure 18)

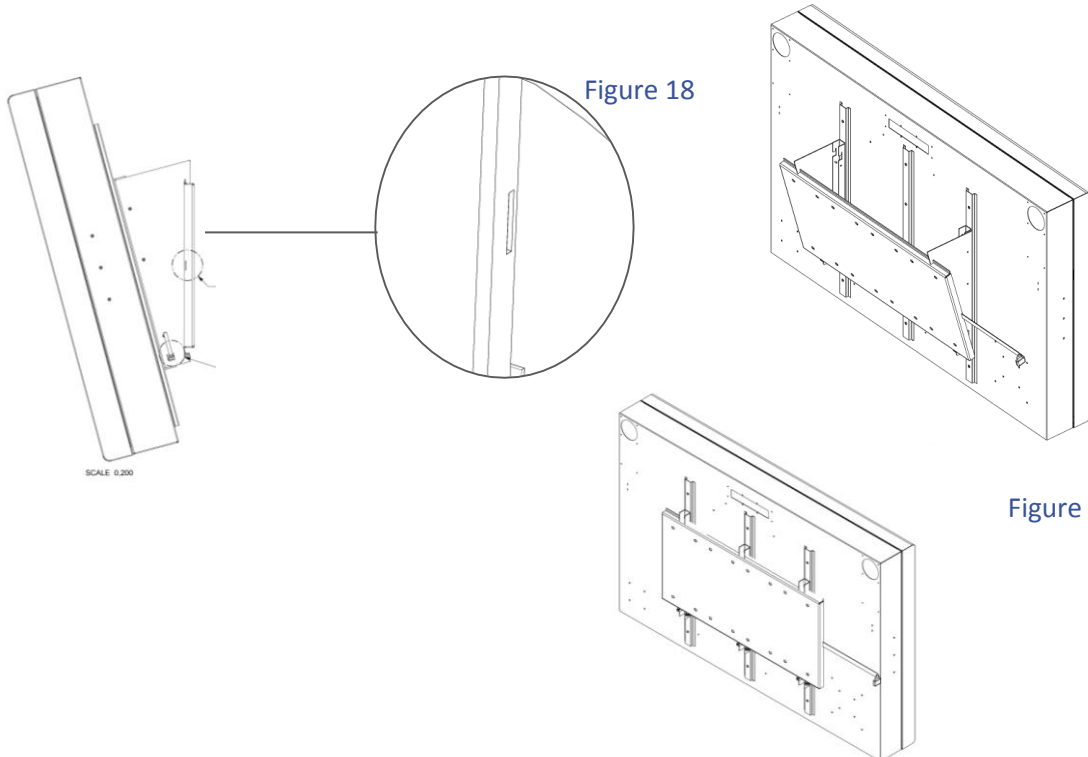


Figure 18

Figure 19

STEP 26: Attach a padlock (Not Supplied-Figure 19) and once the locking bar is secure, open the enclosure and secure the cables and display, then lock up and turn the power on.

ALL DONE!

CONTROLLER BOARD SETUP

NOTE: Not all units are equipped with a controller board. If your unit is not equipped with a controller board, then it will use automatic thermostats instead. Details on how to use the thermostat are found in the maintenance section (14-15).

The printed circuit board (PCB) automatically manages the on-off commands for an enclosure's air curtains, fans, heaters, power outlet and door switch. To reconfigure the controller board, you'll need the setup kit which is provided by Armagard as an optional extra.

Kit Needed:

- Armagard USB Cable
- Armagard USB Drivers
- Windows 7 Laptop
- Phillips Screwdriver

Directions:

1. Locate your Armagard USB cable and terminal software, and have them placed to one side.
2. To configure the PCB you'll need a computer (ideally a laptop) which will be close enough for the USB cable to reach.
3. Place the terminal software on your computer, if you're running a Windows 7 computer then the drivers should be automatically installed. If not, then install the CP210x drivers and select the appropriate 32bit or 64 bit driver. Make note of the 'Terminal' icon which we'll come back to later.
4. Once the drivers are installed, you then need to locate the controller board within your enclosure (figure 1). **NOTE: Make sure the enclosure's power is switched off and unplugged before removing the cover to avoid a risk of an electric shock.**



Figure 1

5. Use a Philips screwdriver to remove the steel lid that covers the PCB board and place to one side.

PDS-60/70

Installation Manual Page | 11

- Connect the USB cable to your computer and the 3-pin internal connection to the setup port (highlighted red) on the controller board; located on the left hand side, third from the top (figure 2).

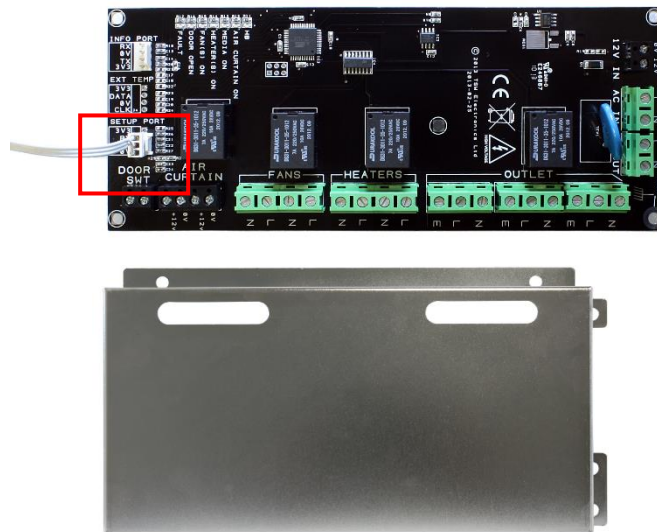


Figure 2

- Open up the terminal program mentioned from earlier and locate the setup port which will appear as a COM port. Select the correct COM port from the drop down menu as shown in figure 3 box 1. The correct COM port should be the last one on the list from the drop down menu.

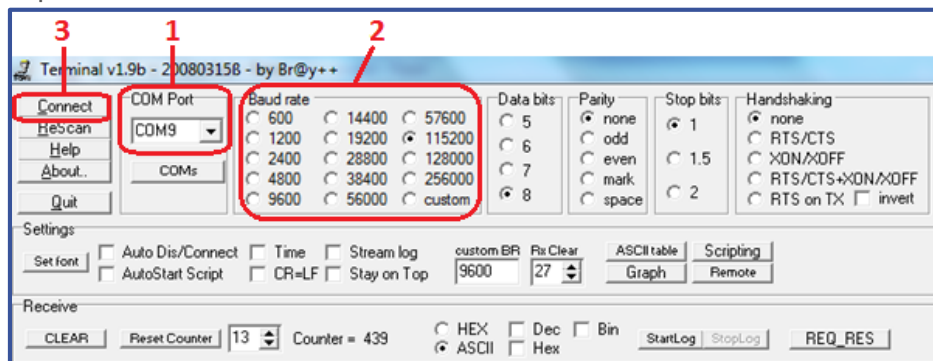


Figure 3

The default BAUD rate for setup is 115200 and the BAUD rate for info is 19200. These can be selected from the pre-set figures shown in figure 3 box 2 above. *Note - A BAUD is a unit used to express the speed of transmission of electronic signals, corresponding to one information unit or event per second.*

- Now click connect, highlighted in figure 3 box 3 above.
- Once connected, press enter and the enclosures system will be switched off and a menu will be displayed on the terminal program in box 5, the current settings will be displayed for all the components just above the menu shown in box 4 below.

PDS-60/70

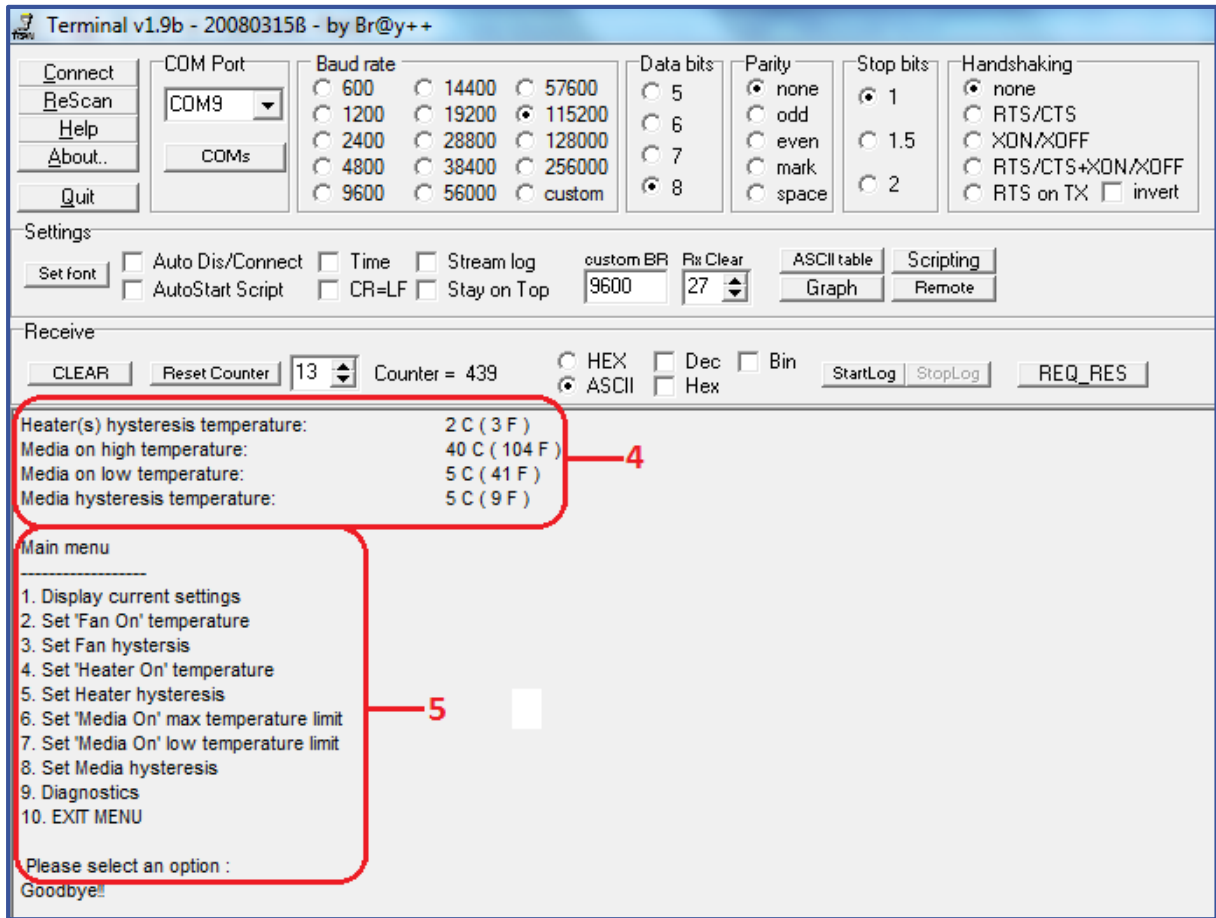


Figure 4

10. The settings for each component can then be changed by selecting the appropriate option from the menu in box 5.

For example, to change the temperature at which the heater comes on enter '4' followed by the return key. Then enter the new value followed by the letter 'C' (for Centigrade) or 'F' (for (Fahrenheit) followed by the return key, such as 40C.

NOTE: The menu will time out after 30 seconds if no commands are received and the system will switch back on.



MAINTENANCE

FAN MAINTENANCE & INTEGRITY

To ensure your unit lasts as long as possible, take the following precautions.

- Fan Filters – Every 6 months check and replace used fan filter pads and clean bug screens if necessary.
 - *Replacement Filters are available in packs of 3*
- Check Enclosure Integrity – In an outside environment, make sure the enclosure and its mounting bracket haven't been damaged or moved.

THERMOSTAT CONTROL INSTRUCTIONS – To access enclosure thermostats firstly unlock the enclosure (*fixing the support arms*), remove the display and manually adjust the thermostat dials. Repeat process until fully optimised for your environment.

- We recommend 25°C/77°F for cooling and 10°C/50°F for heating. Simply turn the thermostat dial to the temperature you wish the component to turn on at – if the fans are set to 40°C, the fans will activate once the internal temperature reaches this heat, and then deactivate when the temperature recedes to a lower temperature.
- *Be aware, these temperatures are just suggestion and the individual must take into account all environmental factors before setting the thermostat. In addition the heat given off by the LCD display will depend on whatever the customer chooses.*

ENCLOSURE STABILITY

To ensure your unit lasts as long as possible, take the following precautions.

- Check Enclosure Integrity – In an outside environment, make sure the enclosure and its mounting bracket haven't been damaged or moved by adverse weather conditions.
- Screws & Padlock – Check the safety screws are tight and padlock if the locking bar is secure and not been tampered with.

PDS-60/70

Installation Manual Page | 14

Toll Free (US): 1-866-434-0807
Call (UK): 0121-608-7210

MAINTENANCE

Screen Cleaning – Polycarbonate and Anti-Reflective Polycarbonate

In order to maintain your polycarbonate in a good condition it is recommended that the sheet be cleaned periodically using suitable household cleaning agents.

The recommended cleaning instructions are as follows:

- Use lukewarm water to rinse and soften dirt.
- Make up a solution of lukewarm water and ordinary household cleaner or mild soap and use this to wash the sheet.
- A sponge or soft cloth should then be used to gently remove dirt and grime and for large areas a pressure washer may be used in a suitable outdoor area.
- Ethyl alcohol or white kerosene used sparingly can be used to remove paint and other such substances.
- The cleaning process should then be repeated and the sheet rinsed with clean water and dried with a soft cloth.

Warning - The following precautions should be observed:

- Do not scrub the sheet with brushes or sharp implements.
- Do not use squeegees.
- Avoid solvents, other than those listed, or any abrasive cleaners.
- Avoid cleaners of a highly alkaline composition.
- Avoid cleaning in the hot sun or high temperatures.

SCREEN CLEANING – GLASS DISPLAY

- For high toughed glass and anti-reflective glass.

Procedure 1

1. On a mild temperature day, use hot soapy water and wash down the glass to eliminate all traces of debris and marks.
2. When the window has been washed, rinse it thoroughly and using a clean cloth, dry the screen to eliminate streaks and blemishes.
3. Alternatively you can use a glass cleaner detergent to get it thoroughly clean.
4. Note: Make sure you work as quickly as possible to avoid streaks appearing during the process.

BEST PRACTICE USE & WARRANTY

1. Mount the enclosure using the recommended brackets to ensure integrity. Do not drill or penetrate any additional holes into the enclosure for mounting, as breaking the surface will reduce the ingress rating, and void the warranty agreement.
2. Do not block air vents around the enclosure, obstructions to air circulation will cause overheating and void the warranty agreement.
3. Do not use enclosures in environments or sheltered areas where the average ambient temperature is

PDS-60/70

For additional support, visit www.Armagard.com or call

Free (US): 1-866-434-0807

Call Free (UK): 0121-608-7210

PDS-60/70

Installation Manual Page | **16**

Toll Free (US): 1-866-434-0807
Call (UK): 0121-608-7210

www.Armagard.com

