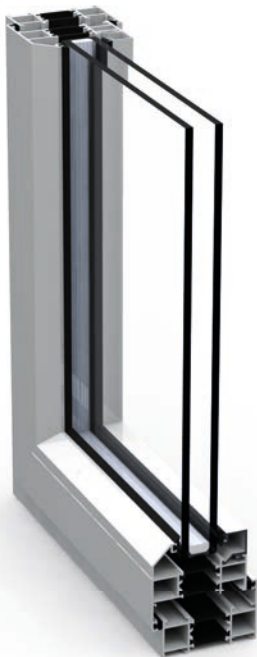




KWS75 Casement Windows



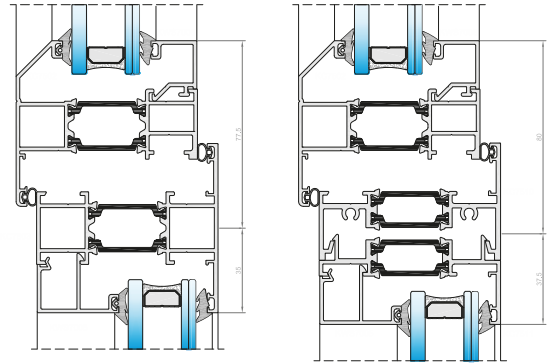
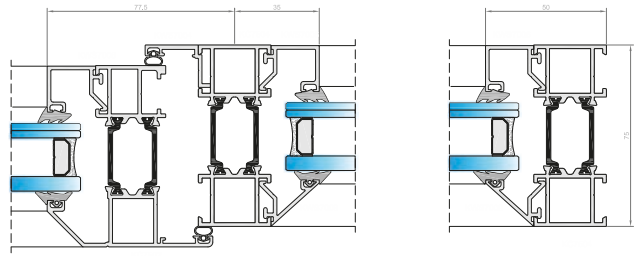
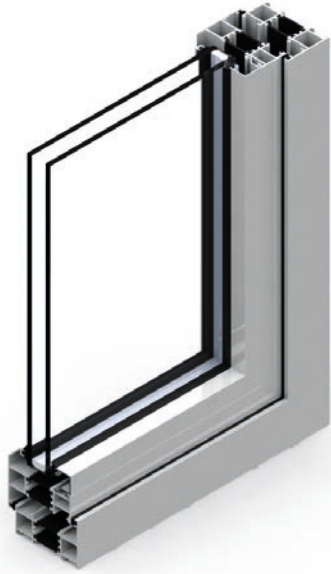
Technically advanced framing systems with slim sight lines. The KWS75 is fabricated using a mechanical corner cleat. Which ensure easy and fast fabrication times. It's available, in 75 mm wide profile sections.

The system can be used for, punched hole, composite, and ribbon window applications. Also both new build and refurbishment schemes. The window system is fully drained, either onto a cill section, or with our innovative face drain cap. This includes an internal baffle, to stop wind noise, and to minimise, the build-up of water. Creating excellent weather resistance.

The window suite can be dry glazed, from the inside or out. Using clip in beads, for ease of fabrication and quicker glass replacement.

- Top and side hung applications.
- Polyamide thermally broken aluminium frames, for improved thermal efficiency.
- 28 mm glass, as standard.
- Up to 57 mm glazing possible.
- Joined using mechanical corners.
- 75 mm polyamide sub frame section, for easy to install modular windows.
- Easy clean and egress option available.
- Slimline internal glazing option.
- Cills, add ons, curtain wall insert & coupler sections available.

3D PROFILE SECTION



Materials

Aluminium is extruded in accordance with BS EN 755 Part 1-9:2008 and BS EN 12020-2:2008.

Polyester Powder Coating material is produced in accordance with BS 6496/97:1984.

Silver Anodising is produced in accordance with BS EN 12373, ranging from 5-25 microns.

Polyamide Thermally Broken Aluminium is produced in accordance with BS EN 14024:2004.

Gasketry is produced in accordance with BS EN 3734:1997.

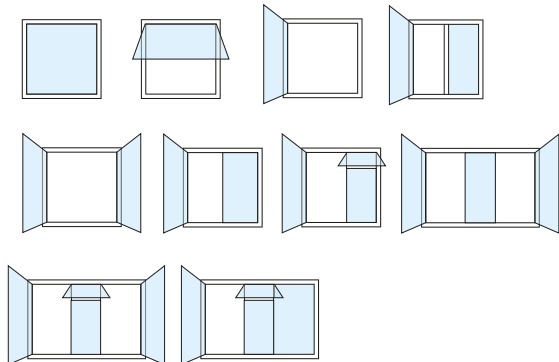
Testing

Security tested to BS 7950:1997.

Weather tested to BS 6375-1:2009.

Test certificates available upon request.

Typical Configurations



	Max. Vent Top Hung Size (mm)	Typical U-Values (Opening / Fixed)	
		1200 x 1200	1500 x 1500
KWS75 Casement	1500 x 1500	1.64 / 1.47	1.54 / 1.40
KWS75 Sub frame	1500 x 1500	1.63 / 1.46	1.54 / 1.39

Please note: U-Values are dependant on size and glass U-Values. The above are based on glass U-Values of 1.1 W/m²K.

Place Your
Company
Details Here