



KLS Patio Doors

The KLS Patio door suite, ensures we maximise the glazed area. With a intelligent design, engineered for quality fabrication and ease of installation.

The KLS Patio Door, is a thermally broken system, to ensure that it can meet and exceed current building regulations. This system uses high quality components, from throughout Europe, to ensure the products durability.

It can be integrated with the KWS window systems, and Curtain walling system.

With a innovative gasket design, our gaskets are unique, and ensure ease of glazing. Security is assured with the use of our multipoint locking systems. The system uses the K Concept Mechanical corner cleat system. It's sliding mechanism allows large panels of glass to move, effortlessly.



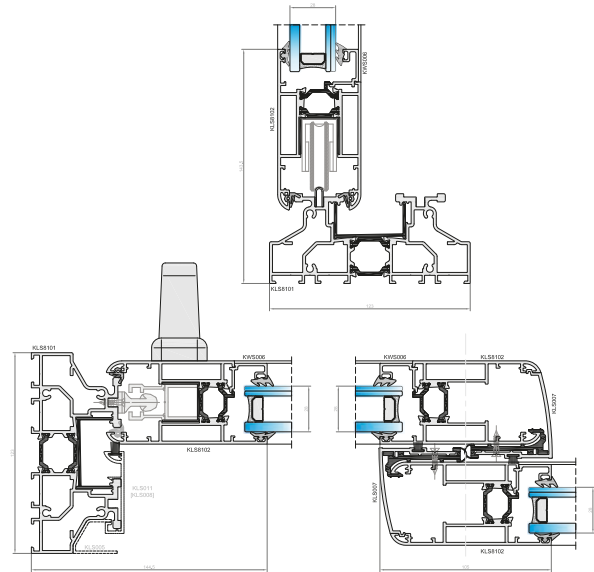
- Mechanical corner joint for ease of fabrication.
- Dual colour door available.
- Variation of glass thickness' available.
- Doors up to 400 kg available.
- Outstandingly smooth & quiet sash movement.
- Internally beaded for security.
- Hardware designed to ensure ease of use.

01302 762 500
www.exlabesa.co.uk



exlabesa
WINDOWS · DOORS · FACADES

3D PROFILE SECTION



Materials

Aluminium is extruded in accordance with BS EN 755 Part 1-9:2008 and BS EN 12020-2:2008.

Polyester Powder Coating material is produced in accordance with BS 6496/97:1984.

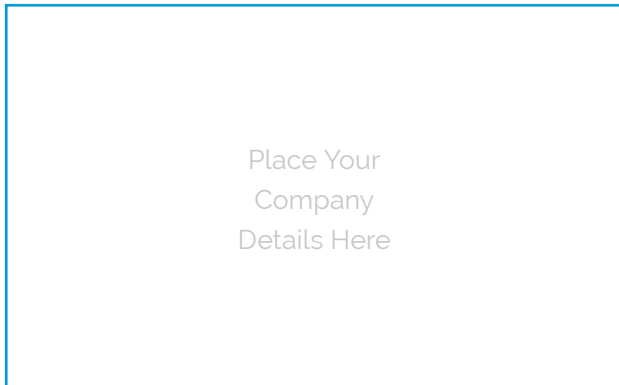
Silver Anodising is produced in accordance with BS EN 12373, ranging from 5-25 microns.

Polyamide Thermally Broken Aluminium is produced in accordance with BS EN 14024:2004.

Gasketry is produced in accordance with BS EN 3734:1997.

	Max. Sash Size (mm)	Typical U-Values (2700 W x 2400 H)	
		With Midrail	Without Midrail
KLS Patio Doors	3300 x 3200	2.1 / 2.1	2.1 / 2.0

Please note: U-Values are dependant on size and glass U-Values. The above are based on glass U-Values of 1.1 W/m²K. *Subject to wind load and a maximum sash weight 400 kg.



Testing

Test certificates available upon request.

Size limitations

Each panel must be no larger than 3200 mm in height & 400 kg in weight (with standard gearing).

Each meeting stile must have a wind load calculation carried out on it.

Typical Configurations

