

Newsletter

October 2016

GF Ball Valve Labelling

The Simple Way to Identify Your Ball Valves Individually

Identify the ball valves in your piping systems clearly and easily with the GF Ball Valve Labelling. Whether to comply with standards or for more clarity - you decide how to label your ball valves.

Benefits

- Increased safety for piping system and operator
- Improved efficiency of operation and maintenance
- Customised system identification

Specifications

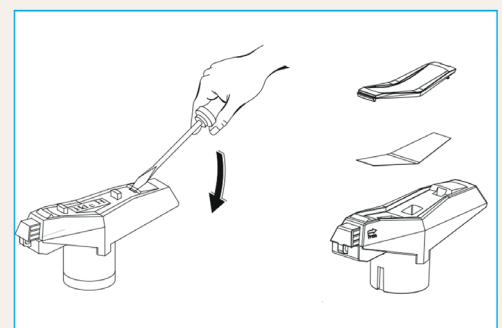
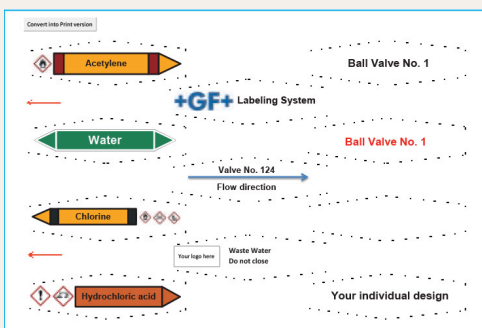
- For GF Ball Valve Types 546, 523, 543 and 547
- Lever clip material: SAN
- Print sheet A4: Polymer foil

Product features

- UV, weather and chemical resistant
- Can be labelled with laser printers or by hand

Ordering

- Transparent lever clips delivered in packs of 10 or 5 depending on dimension
- Printing sheets delivered in packs of 25 or 100 sheets



Step One

Design your personalised label

Step Two

Print your label

Step Three

Fit your label

[Click here for more information](#)

www.gfps.com/uk

[@gfps_uk](https://twitter.com/gfps_uk)