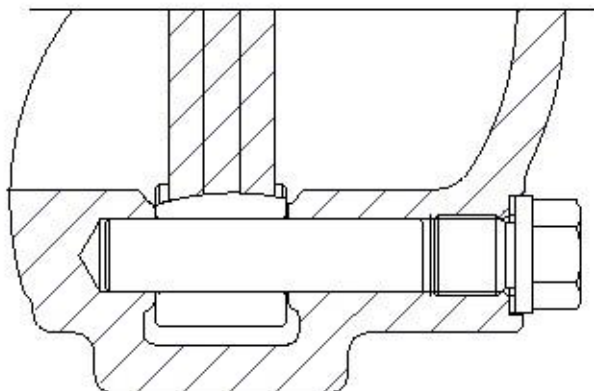


Hinge and Hinge Pin



Swing Check Valves

Description:	Bolted cover check valves Swing type Non-return
Design Standards:	BS1868 API6D ASME B16.34
Wall Thickness:	API600
Face to Face:	ANSI B16.10
End Connection:	Raised face Ring type joint ANSI B16.5 ASME B16.47 series A or B BS4504 PN16, 25, 40, 64, etc BS10 table D, E, F, G, H, etc Undrilled Butt weld ANSI B16.25
Marking:	MSS-SP-25



Bill of Materials and Parts for standard material configurations. (Other materials see page 20-21)					
Part Name	ASTM Specifications (Specs.-Grades/Types)				
	A216	A352	A217		A351
	WCB	LCC	WC6	C5	CF8M
Body	A216-WCB	A352-LCC	A217-WC6	A217-C5	A351-CF8M
Seat Ring	A105, 316, 304				
Seat Ring Surface	13Cr, HF(STELLITE), 316, 304				
Disc	A216-WCB	A352-LCC	A217-WC6	A217-C5	A351-CF8M
Disc Sealing Surface	13Cr, HF(STELLITE), 316 or 304				
Disc Nut	13Cr, 316, 304				
Hinge	A216-WCB	A352-LCC	A217-WC6	A217-C5	A351-CF8M
Hinge Pin	Stainless Steel				
Hinge Pin Bolt	Steel	Steel	Steel	Steel	Stainless Steel
Bonnet Gasket	Soft Iron, Spiral Wound				
Bolting	A194-2H/A193-B7	A194-4/A320L7	A194-2H/A193-B7	A194-2H/A193-B7	A194-8/A193-B8
Cover	A216-WCB	A352-LCC	A217-WC6	A217-C5	A351-CF8M
Eye Bolt	Steel				

Swing Check Valves

ANSI Swing Check Valves Class 150

Dimensions and Weights									
Nom Size	Face to Face RF		Face to Face RTJ		Face to Face BW		Height••		Weight
	in	mm	in	mm	in	mm	in	mm	
2	8.00	203	8.50	216	8.00	203	6.50	165	19
2½	8.50	216	9.00	229	8.50	216	7.00	178	26
3	9.50	241	10.00	254	9.50	241	7.30	186	29
4	11.50	292	12.00	305	11.50	292	8.50	217	48
5	13.00	330	13.50	343	13.00	330	9.06	230	69
6	14.00	356	14.50	368	14.00	356	10.50	266	77
8	19.50	495	20.00	508	19.50	495	12.50	318	133
10	24.50	622	25.00	635	24.50	622	14.50	368	266
12	27.50	698	28.00	711	27.50	698	16.00	406	347
14	31.00	787	31.50	800	31.00	787	17.00	432	451
16	34.00	864	34.50	876	34.00	864	19.00	483	556
18	38.50	978	39.00	991	38.50	978	23.60	600	784
20	38.50	978	39.00	991	38.50	978	26.00	660	835
24	51.00	1295	51.50	1308	51.00	1295	29.10	740	1580
30	60.00	1524	60.50	1537	60.00	1524	38.60	980	2120
36	77.00	1955	77.50	1968	77.00	1955	40.80	1035	3344

ANSI Swing Check Valves Class 300

Dimensions and Weights									
Nom Size	Face to Face RF		Face to Face RTJ		Face to Face BW		Height••		Weight
	in	mm	in	mm	in	mm	in	mm	
2	10.50	267	11.13	283	10.50	267	7.00	178	21
2½	11.50	292	12.13	308	11.50	292	7.50	191	32
3	12.50	318	13.13	333	12.50	318	8.30	211	43
4	14.00	356	14.63	371	14.00	356	9.70	246	61
5	15.80	400	16.38	416	15.80	400	12.00	305	84
6	17.50	444	18.13	460	17.50	444	12.50	318	131
8	21.00	533	21.63	550	21.00	533	14.00	356	213
10	24.50	622	25.13	638	24.50	622	15.50	394	384
12	28.00	711	28.63	727	28.00	711	19.00	482	449
14	33.00	838	33.63	854	33.00	838	21.00	533	680
16	34.00	864	34.63	880	34.00	864	23.00	584	840
18	38.50	978	39.13	994	38.50	978	23.30	590	1025
20	40.50	1016	40.80	1035	40.50	1016	24.20	614	1320
24	53.00	1346	53.80	1368	53.00	1346	27.90	709	1960
30	62.80	1594	63.80	1619	62.80	1594	34.00	865	3270

ANSI Swing Check Valves Class 600

Dimensions and Weights									
Nom Size	Face to Face RF		Face to Face RTJ		Face to Face BW		Height••		Weight
	in	mm	in	mm	in	mm	in	mm	
2	11.50	292	11.63	295	11.50	292	7.38	187	52
2½	13.00	330	13.13	333	13.00	330	8.50	216	63
3	14.00	356	14.13	359	14.00	356	10.95	278	75
4	17.00	432	17.13	435	17.00	432	12.44	316	122
6	22.00	559	22.13	562	22.00	559	15.75	400	227
8	26.00	660	26.13	664	26.00	660	17.00	432	346
10	31.00	788	31.13	791	31.00	788	19.00	483	628
12	33.00	838	33.13	841	33.00	838	20.00	508	796
14	35.00	889	35.13	892	35.00	889	22.50	572	892
16	39.00	990	39.13	994	39.00	990	26.00	660	1200
18	43.00	1092	43.13	1095	43.00	1092	28.75	730	1600
20	47.00	1194	47.25	1200	47.00	1194	31.50	800	2420
24	55.00	1397	55.38	1407	55.00	1397	35.50	900	3150

Swing Check Valves

ANSI Swing Check Valves Class 900

Dimensions and Weights									
Nom Size	Face to Face RF		Face to Face RTJ		Face to Face BW		Height•		Weight
	in	mm	in	mm	in	mm	in	mm	
2	14.50	368	14.63	371	14.50	368	9.88	250	69
2½	16.50	419	16.63	422	16.50	419	10.60	270	93
3	15.00	381	15.13	384	15.00	381	9.13	230	85
4	18.00	457	18.13	460	18.00	457	12.30	310	145
6	24.00	610	24.13	613	24.00	610	14.30	360	310
8	29.00	737	29.13	740	29.00	737	17.00	430	500
10	33.00	838	33.13	841	33.00	838	18.90	480	772
12	38.00	965	38.13	968	38.00	965	22.00	560	1080
14	40.50	1029	40.88	1038	40.50	1029	24.80	629	1500
16	44.50	1130	44.88	1140	44.50	1130	27.60	700	2130

ANSI Swing Check Valves Class 1500

Dimensions and Weights									
Nom Size	Face to Face RF		Face to Face RTJ		Face to Face BW		Height•		Weight
	in	mm	in	mm	in	mm	in	mm	
2	14.50	368	14.63	371	14.50	368	12.25	310	69
2½	16.50	419	16.63	422	16.50	419	12.25	310	93
3	18.50	470	18.63	473	18.50	470	13.00	330	140
4	21.50	546	21.63	549	21.50	546	14.00	355	232
6	27.75	705	28.00	711	27.75	705	15.75	400	490
8	32.75	832	33.13	841	32.75	832	20.88	530	990
10	39.00	991	39.38	1000	39.00	991	22.06	560	1490
12	44.50	1130	45.13	1146	44.50	1130	25.63	650	1970
14	49.50	1257	50.25	1276	49.50	1257	30.90	785	2450
16	54.50	1384	55.38	1407	54.50	1384	36.61	930	3205

• Height dimension is from Centreline of valve bore to top of cover.

† These weights and dimensions are for guidance only.