



Kraus & Naimer

BLUE LINE switchgear

since 1907

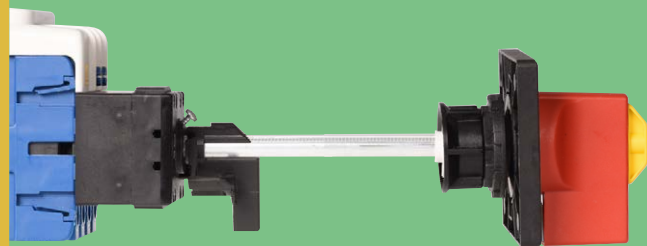
2016

Short form catalogue

- enclosed switches including; grp • insulated
- mild & stainless steel • red painted • photovoltaic
- switch-disconnectors including; isolating switches
- main/emergency off switches • changeover switches



For free expert advice and technical help contact our sales team on 01635 262626



always look for the sign of quality

www.krausnaimer.co.uk



Kraus & Naimer

Kraus & Naimer's Blue Line products are accepted and universally recognised for their quality and workmanship.

Kraus & Naimer Limited is part of the worldwide Kraus & Naimer Group which celebrated its 100 year anniversary in 2007.

In 1963, Kraus & Naimer Limited was established as the UK sales and marketing company for Kraus & Naimer switchgear. By the early 70's successful growth meant a move to its current purpose-built premises in Newbury, where it supplies over 3,000 customers with world-renowned, high quality Blue Line switchgear products.

Our key to success is the outstanding level of technical product support through our dedicated team of internal and external technical sales engineers. With many years experience, training and unbeatable product knowledge the team can find a suitable solution for most switch applications.

www.krausnaimer.co.uk

e: sales-uk@krausnaimer.com t: 01635 262626



Enclosed Products

Contents Page

Enclosed Switch Disconnectors

Main & Main/Emergency-Off Switch

Insulated enclosure	4-5
Painted steel enclosure	6-7
Red painted steel enclosure	8-9
Stainless steel enclosure	10-11
Sloped Roof stainless	12-13
Flush mounted stainless	14-15
GRP enclosure	14-15
GRP Defeatable door	16-17
GRP All-in-One	18

Main/Emergency-Off Switch + Emergency Stop Push Button

Insulated enclosure/painted steel enclosure/Stainless steel enclosure	19
---	----

Changeover Switch with Centre Off

Insulated, painted mild steel & stainless steel enclosure	20-21
GRP enclosure	22-23
Load Switch, painted mild steel	22-23

AC/DC Switch-disconnectors for Photovoltaic

AC Switch-Disconnectors

Single & three phase	25 - 40A	24
----------------------	----------	----

DC Switch-Disconnectors

Single string & two string	11 - 50A up to 1000 vdc	25
----------------------------	-------------------------	----

Control Switches

Emergency Stop Push Button Station

Stainless steel enclosure	twist to reset, key operate to reset	26
Painted steel enclosure	twist to reset, key operate to reset	
Stainless steel, flush mount	twist to reset, key operate to reset	
Insulated enclosure	twist to reset, pull to reset palm/foot switch	

Emergency Stop Push Button Station with protective shroud

Stainless steel enclosure	twist to reset, key operate to reset	27
Painted steel enclosure	twist to reset, key operate to reset	
Stainless steel, flush mount	twist to reset, key operate to reset	
Insulated enclosure	twist to reset, pull to reset palm/foot switch	

Rotary Control Switch

Insulated enclosure off/on & changeover switches	28
--	----

Key Operated Control Switch

Insulated enclosure off/on, changeover & step switches	28
--	----

Load Switches

Emergency-Off Switch

Insulated enclosure 3 & 4 pole	25A & 32A	28
--------------------------------	-----------	----

Motor Reversing Switch

Insulated enclosure 3 phase/1 phase motors	28
--	----

Technical Data & Additional Information

Options & Additional Information

Technical Data	29
IP rating information	30

Switch-disconnectors

Contents Page	31
Products & Technical data	32 - 47



Main/Emergency-Off Switch - 3, 4, 6 & 8 Pole 20A - 315A



- IP66/67 protection
- red/yellow padlockable handle
- optional black handle available
- grey insulated enclosure (RAL7035)
- earth terminal included
- switch interlocked with lid to prevent opening in 'ON' position

Without Auxiliaries	le AC-21A	3 Pole		Encl. Ref		3 Pole + Solid Neutral (TP&N)		Encl. Ref		
	20A	KG10	T203/GBA270 *KS1V	KSAV		KG10	T203/GBA355 *KS1V	KSAV		
	25A	KG20	T203/GBA270 *KS1V	KSAV		KG20	T203/GBA355 *KS1V	KSAV		
	32A	KG32	T203/GBA270 *KS1V	KSAV		KG32	T203/GBA355 *KS1V	KSAV		
	40A	KG41	T203/GBA270 *KL1V	KLCV		KG41	T203/GBA355 *KL1V	KLCV		
	63A	KG64	T203/GBA270 *KL1V	KLCV		KG64	T203/GBA355 *KL1V	KLCV		
	80A	KG80	T203/GBA270 *KL1V	KLDV		KG80	T203/GBA355 *KL1V	KLDV		
	100A	KG100	T203/GBA270 *KL1V	KLDV		KG100	T203/GBA355 *KL1V	KLDV		
	125A	KG105	T203/GBA270 *KL1V	KLDV		KG105	T203/GBA355 *KL1V	KLDV		
	125A ³⁾	KG125	T203/GBA270 *ST	ST3		KG125	T207/GBA355 *ST	ST3		
160A	KG160	T203/GBA270 *ST	ST3		KG160	T207/GBA355 *ST	ST3			
200A	KG210	T203/GBA270 *ST	ST3		KG210	T207/GBA355 *ST	ST4			
250A	KG250	T203/GBA270 *ST	ST3		KG250	T207/GBA355 *ST	ST4			
315A	KG315	T203/GBA270 *ST	ST3		KG315	T207/GBA355 *ST	ST4			

With Auxiliaries ¹	le AC-21A	3 Pole		Encl. Ref		3 Pole + Solid Neutral (TP&N)		Encl. Ref		
	20A	KG10	T203/GBA281 *KS1V	KSAV		KG10	T203/GBA374 *KS1V	KSAV		
	25A	KG20	T203/GBA280 *KS1V	KSAV		KG20	T203/GBA373 *KS1V	KSAV		
	32A	KG32	T203/GBA280 *KS1V	KSAV		KG32	T203/GBA373 *KS1V	KSAV		
	40A	KG41	T203/GBA280 *KL1V	KLCV		KG41	T203/GBA373 *KL1V	KLCV		
	63A	KG64	T203/GBA280 *KL1V	KLCV		KG64	T203/GBA373 *KL1V	KLCV		
	80A	KG80	T203/GBA280 *KL1V	KLDV		KG80	T203/GBA373 *KL1V	KLDV		
	100A	KG100	T203/GBA280 *KL1V	KLDV		KG100	T203/GBA373 *KL1V	KLDV		
	125A	KG105	T203/GBA280 *KL1V	KLDV		KG105	T203/GBA373 *KL1V	KLDV		
	125A ³⁾	KG125	T203/GBA065 *ST	ST3		KG125	T207/GBA110 *ST	ST3		
160A	KG160	T203/GBA065 *ST	ST3		KG160	T207/GBA110 *ST	ST3			
200A	KG210	T203/GBA070 *ST	ST3		KG210	T207/GBA120 *ST	ST4			
250A	KG250	T203/GBA070 *ST	ST3		KG250	T207/GBA120 *ST	ST4			
315A	KG315	T203/GBA070 *ST	ST3		KG315	T207/GBA120 *ST	ST4			

Notes

- The following auxiliary contacts are provided:-
 - KG10 3 to 6 Pole 1 N.O. (early break) + 1 N.C.
 - KG20 to KG105 3 to 6 Pole 2 N.O. (early break)
 - KG10 to KG100 8 Pole 1 N.O. (early break) + 1 N.C.
 - KG125 to KG315 3 to 8 Pole 2 N.O. (early break) + 2 N.C.

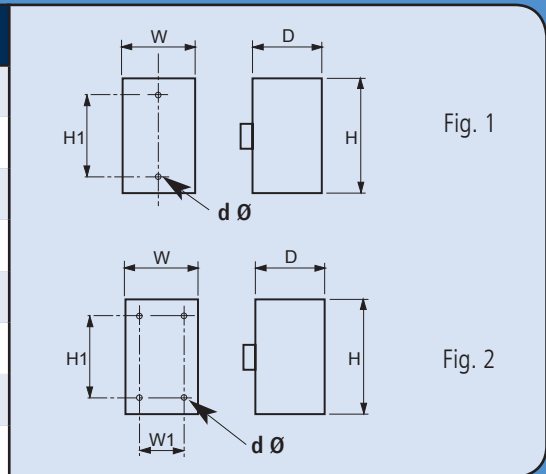
2) Switched neutral pole is early make/late break.

3) KG125 suitable for applications requiring larger cable termination and increased enclosure size.

DIMENSIONS



Encl. Ref.	Encl. Dim.			Encl. Dim.			Cable Entries.	Line Drg.
	H	W	D	H1	W1	d		
KSAV	120	85	90	110	-	4.2	4 x 20/25mm k'outs	Fig. 1
KLCV	190	100	93	178	-	5.6	4 x 20/25mm k'outs	Fig. 1
KLD	250	145	107	229	124	6.5	4 x 25/40mm k'outs	Fig. 2
KLDV	250	145	107	229	124	6.5	4 x 25/40mm k'outs	Fig. 2
STE	280	190	180	254	164	7	2 x gland plates	Fig. 2
ST2	280	190	130	254	164	7	2 x gland plates	Fig. 2
ST3	380	280	180	354	254	7	2 x gland plates	Fig. 2
ST4	560	380	180	534	354	7	2 x gland plates	Fig. 2



4 Pole (3ph + Sw N²)	Encl. Ref	6 Pole	Encl. Ref	le AC-21A
KG10 T204/GBA290 *KS1V	KSAV	KG10B T206/GBA320 *KS1V	KSAV	20A
KG20 T204/GBA290 *KS1V	KSAV	KG20B T206/GBA320 *KL1V	KLCV	25A
KG32 T204/GBA290 *KS1V	KSAV	KG32B T206/GBA320 *KL1V	KLCV	32A
KG41 T204/GBA290 *KL1V	KLCV	KG41B T206/GBA320 *KL1V	KLDV	40A
KG64 T204/GBA290 *KL1V	KLCV	KG64B T206/GBA320 *KL1V	KLDV	63A
KG80 T204/GBA290 *KL1V	KLDV	KG80 T206/GBA967 *ST	STE	80A
KG100 T204/GBA290 *KL1V	KLDV	KG100 T206/GBA967 *ST	STE	100A
KG105 T204/GBA290 *KL1V	KLDV	KG105 T206/GBA967 *ST	STE	125A
KG125 T204/GBA290 *ST	ST3	KG125 T206/GBA967 *ST	ST4	125A ³⁾
KG160 T204/GBA290 *ST	ST3	KG160 T206/GBA967 *ST	ST4	160A
KG210 T204/GBA290 *ST	ST4			200A
KG250 T204/GBA290 *ST	ST4			250A
KG315 T204/GBA290 *ST	ST4			315A

4 Pole (3ph + Sw N²)	Encl. Ref	6 Pole	Encl. Ref	8 Pole (2 x 3ph + Sw N²)	Encl. Ref	le AC-21A
KG10 T204/GBA311 *KS1V	KSAV	KG10 T206/40 *KS51V	KSAV	KG10 T208/GBA002 *KS1V	KSAV	20A
KG20 T204/GBA310 *KS1V	KSAV	KG20B T206/GBA330 *KL1V	KLCV	KG20B T208/GBA008 *KL	KLD	25A
KG32 T204/GBA310 *KS1V	KSAV	KG32B T206/GBA330 *KL1V	KLCV	KG32B T208/GBA008 *KL	KLD	32A
KG41 T204/GBA310 *KL1V	KLCV	KG41B T206/GBA330 *KL1V	KLDV	KG41B T208/GBA008 *ST	ST2	40A
KG64 T204/GBA310 *KL1V	KLCV	KG64B T206/GBA330 *KL1V	KLDV	KG64B T208/GBA008 *ST	ST2	63A
KG80 T204/GBA310 *KL1V	KLDV	KG80 T206/GBA907 *ST	STE	KG80 T208/GBA008 *ST	ST3	80A
KG100 T204/GBA310 *KL1V	KLDV	KG100 T206/GBA907 *ST	STE	KG100 T208/GBA008 *ST	ST3	100A
KG105 T204/GBA310 *KL1V	KLDV	KG105 T206/GBA907 *ST	STE			125A
KG125 T204/GBA075 *ST	ST3	KG125 T206/GBA085 *ST	ST4	KG125 T208/GBA010 *ST	ST4	125A ³⁾
KG160 T204/GBA075 *ST	ST3	KG160 T206/GBA085 *ST	ST4	KG160 T208/GBA010 *ST	ST4	160A
KG210 T204/GBA080 *ST	ST4					200A
KG250 T204/GBA080 *ST	ST4					250A
KG315 T204/GBA080 *ST	ST4					315A



Main/Emergency-Off Switch - 3, 4, 6, 9 & 12 Pole 20A - 315A



MB8

MB4

MB3

MB2

- IP66 protection
- red/yellow padlockable handle
- optional black handle available
- grey powder paint finish, (RAL7032)
- earth terminal & lid bonding link included
- switch interlocked with lid to prevent opening in 'ON' position

Without Auxiliaries	le AC-21A	3 Pole		3 Pole + Solid Neutral (TP&N)		4 Pole (3ph + Sw N ²)		
	20A	KG10	T203/GBA119 *MB2		KG20	T207/GBA170 *MB2	KG10	T204/GBA219 *MB2
	25A	KG20	T203/GBA119 *MB2		KG20	T207/GBA170 *MB2	KG20	T204/GBA219 *MB2
	32A	KG32	T203/GBA119 *MB2		KG32	T207/GBA170 *MB2	KG32	T204/GBA219 *MB2
	40A	KG41	T203/GBA109 *MB2		KG41	T207/GBA170 *MB2	KG41	T204/GBA209 *MB2
	63A	KG64	T203/GBA109 *MB2		KG64	T207/GBA170 *MB2	KG64	T204/GBA209 *MB2
	80A	KG80	T203/GBA109 *MB3		KG80	T207/GBA170 *MB3	KG80	T204/GBA209 *MB3
	100A	KG100	T203/GBA109 *MB3		KG100	T207/GBA170 *MB3	KG100	T204/GBA209 *MB3
	125A	KG105	T203/GBA109 *MB3		KG105	T207/GBA170 *MB3	KG105	T204/GBA209 *MB3
	125A ³⁾	KG125	T203/GBA109 *MB8		KG125	T207/GBA170 *MB8	KG125	T204/GBA209 *MB8
160A	KG160	T203/GBA109 *MB8		KG160	T207/GBA170 *MB8	KG160	T204/GBA209 *MB8	
200A	KG210	T203/GBA109 *MB9		KG210	T207/GBA170 *MB9	KG210	T204/GBA209 *MB9	
250A	KG250	T203/GBA109 *MB9		KG250	T207/GBA170 *MB9	KG250	T204/GBA209 *MB9	
275A								
315A	KG315	T203/GBA109 *MB9		KG315	T207/GBA170 *MB9	KG315	T204/GBA209 *MB9	

With Auxiliaries ¹	le AC-21A	3 Pole		3 Pole + Solid Neutral (TP&N)		4 Pole (3ph + Sw N ²)		
	20A	KG10	T203/GBA168 *MB2		KG20	T207/GBA175 *MB2	KG10	T204/GBA268 *MB2
	25A	KG20	T203/GBA169 *MB2		KG20	T207/GBA175 *MB2	KG20	T204/GBA269 *MB2
	32A	KG32	T203/GBA169 *MB2		KG32	T207/GBA175 *MB2	KG32	T204/GBA269 *MB2
	40A	KG41	T203/GBA159 *MB2		KG41	T207/GBA175 *MB2	KG41	T204/GBA259 *MB2
	63A	KG64	T203/GBA159 *MB2		KG64	T207/GBA175 *MB2	KG64	T204/GBA259 *MB2
	80A	KG80	T203/GBA159 *MB3		KG80	T207/GBA175 *MB3	KG80	T204/GBA259 *MB3
	100A	KG100	T203/GBA159 *MB3		KG100	T207/GBA175 *MB3	KG100	T204/GBA259 *MB3
	125A	KG105	T203/GBA159 *MB3		KG105	T207/GBA175 *MB3	KG105	T204/GBA259 *MB3
	125A ³⁾	KG125	T203/GBA165 *MB8		KG125	T207/GBA180 *MB8	KG125	T204/GBA265 *MB8
160A	KG160	T203/GBA165 *MB8		KG160	T207/GBA180 *MB8	KG160	T204/GBA265 *MB8	
200A	KG210	T203/GBA175 *MB9		KG210	T207/GBA185 *MB9	KG210	T204/GBA275 *MB9	
250A	KG250	T203/GBA175 *MB9		KG250	T207/GBA185 *MB9	KG250	T204/GBA275 *MB9	
275A								
315A	KG315	T203/GBA175 *MB9		KG315	T207/GBA185 *MB9	KG315	T204/GBA275 *MB9	

Main Switches - 3 & 4 Pole (IP65) - with black padlockable handle 250A - 1250A

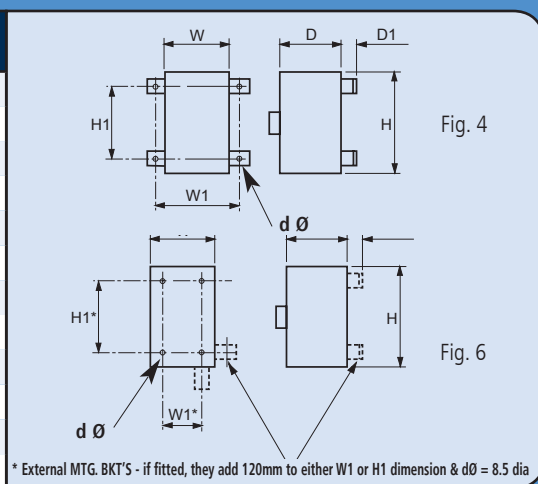


With Auxiliaries ¹	le AC-21A	3 Pole + aux		3 Pole + aux + Neutral Link		4 Pole + aux	
	250A	UK250/A	3011ST02 *MB25	UK250/A	3111ST02 *MB25	UK250/A	4011ST02 *MB25
	315A	UK315/A	3011ST02 *MB26	UK315/A	3111ST02 *MB26	UK315/A	4011ST02 *MB26
	400A	UK400/A	3011ST02 *MB26	UK400/A	3111ST02 *MB26	UK400/A	4011ST02 *MB26
	630A	UK630/A	3011ST02 *MB27	UK630/A	3111ST02 *MB27	UK630/A	4011ST02 *MB27
	800A	UK800/A	3011ST02 *MB28	UK800/A	3111ST02 *MB28	UK800/A	4011ST02 *MB28
	1000A	UK1000/A	3011ST02 *MB28	UK1000/A	3111ST02 *MB28	UK1000/A	4011ST02 *MB28
	1250A	UK1250/A	3011ST02 *MB28	UK1250/A	3111ST02 *MB28	UK1250/A	4011ST02 *MB28

DIMENSIONS



Encl. Ref.	Encl. Dim.				Encl. Dim.			Cable Entries.	Line Drg.
	H	W	D	D1	H1	W1	d		
MB2	194	119	115	8	133	137	6	-	Fig. 4
MB3	254	149	125	8	193	167	6	-	Fig. 4
MB4	309	234	150	8	248	252	6	-	Fig. 4
MB8	400	300	175	-	340	240	6.5	2 x gland plates	Fig. 6
MB9	500	400	175	-	440	340	6.5	2 x gland plates	Fig. 6
MB10	500	400	300	-	440	340	6.5	2 x gland plates	Fig. 6
MB20	250	175	175	-	225	195	6	-	Fig. 4
MB25	650	450	225	-	590	390	6.5	2 x gland plates	Fig. 6
MB26	800	550	225	-	740	490	6.5	2 x gland plates	Fig. 6
MB27	900	600	300	-	840	540	6.5	2 x gland plates	Fig. 6
MB28	1000	800	400	-	940	740	6.5	4 x gland plates	Fig. 6
MB29	750	450	300	-	690	390	6.5	2 x gland plates	Fig. 6



Please refer to end of part no. for enclosure reference. See tables below:

6 Pole	9 Pole	12 Pole	le AC-21A
KG20B T206/GBA309 *MB2	UK 20/9000ST01 *MB20	UK 20/12000ST01 *MB20	20A
KG32B T206/GBA309 *MB2	UK 25/9000ST01 *MB20	UK 25/12000ST01 *MB20	25A
KG41B T206/GBA309 *MB3	UK 32/9000ST01 *MB20	UK 32/12000ST01 *MB20	32A
KG64B T206/GBA309 *MB3			40A
KG80 T206/GBA309 *MB4			63A
KG100 T206/GBA309 *MB4			80A
			100A
			125A
KG125 T206/GBA309 *MB9			125A ³⁾
KG160 T206/GBA309 *MB9			160A
C200-4 T206/GBA309 *MB10			200A
			250A
C316 T206/GBA309 *MB10			275A
C316 T206/GBA309 *MB29			315A

6 Pole	9 Pole	12 Pole	le AC-21A
KG20B T206/GBA359 *MB2	UK 20/9020ST01 *MB20	UK 20/12020ST01 *MB20	20A
KG32B T206/GBA359 *MB2	UK 25/9020ST01 *MB20	UK 25/12020ST01 *MB20	25A
KG41B T206/GBA359 *MB3	UK 32/9020ST01 *MB20	UK 32/12020ST01 *MB20	32A
KG64B T206/GBA359 *MB3			40A
KG80 T206/GBA359 *MB4			63A
KG100 T206/GBA359 *MB4			80A
			100A
			125A
KG125 T206/GBA365 *MB9			125A ³⁾
KG160 T206/GBA365 *MB9			160A
C200-4 T206/GBA385 *MB10			200A
			250A
C316 T206/GBA006 *MB10			275A
C316 T206/GBA365 *MB29			315A

Notes

- 1) The following auxiliary contacts are provided:-
 KG10 1 N.O. (early break) + 1 N.C.
 KG20 to KG105 2 N.O. (early break)
 KG125 to KG315 2 N.O. (early break) + 2 N.C.
 UK20 to UK32 2 N.O. (early break)
 C316/C200-4 2 N.O. (early break)
 UK250/A to UK1250/A 1 N.O. (early break) + 1 N.C.

2) Switched neutral pole is early make/late break.

3) KG125 suitable for applications requiring larger cable termination and increased enclosure size.



Main/Emergency-Off Switch - 3, 4, 6, 9 & 12 Pole 20A - 315A



RB10

RB4

RB2

- IP66 protection
- red/yellow padlockable handle
- optional black handle available
- red powder paint finish (RAL3000)
- earth terminal & lid bonding link included
- switch interlocked with lid to prevent opening in 'ON' position

Without Auxiliaries	le AC-21A	3 Pole		3 Pole + Solid Neutral (TP&N)		4 Pole (3ph + Sw N ²)	
	20A	KG10	T203/GBA119 *RB2			KG10	T204/GBA219 *RB2
	25A	KG20	T203/GBA119 *RB2	KG20	T207/GBA170 *RB2	KG20	T204/GBA219 *RB2
	32A	KG32	T203/GBA119 *RB2	KG32	T207/GBA170 *RB2	KG32	T204/GBA219 *RB2
	40A	KG41	T203/GBA109 *RB2	KG41	T207/GBA170 *RB2	KG41	T204/GBA209 *RB2
	63A	KG64	T203/GBA109 *RB2	KG64	T207/GBA170 *RB2	KG64	T204/GBA209 *RB2
	80A	KG80	T203/GBA109 *RB3	KG80	T207/GBA170 *RB3	KG80	T204/GBA209 *RB3
	100A	KG100	T203/GBA109 *RB3	KG100	T207/GBA170 *RB3	KG100	T204/GBA209 *RB3
	125A	KG105	T203/GBA109 *RB3	KG105	T207/GBA170 *RB3	KG105	T204/GBA209 *RB3
	125A ³⁾	KG125	T203/GBA109 *RB8	KG125	T207/GBA170 *RB8	KG125	T204/GBA209 *RB8
160A	KG160	T203/GBA109 *RB8	KG160	T207/GBA170 *RB8	KG160	T204/GBA209 *RB8	
200A	KG210	T203/GBA109 *RB9	KG210	T207/GBA170 *RB9	KG210	T204/GBA209 *RB9	
250A	KG250	T203/GBA109 *RB9	KG250	T207/GBA170 *RB9	KG250	T204/GBA209 *RB9	
275A							
315A	KG315	T203/GBA109 *RB9	KG315	T207/GBA170 *RB9	KG315	T204/GBA209 *RB9	

With Auxiliaries ¹	le AC-21A	3 Pole		3 Pole + Solid Neutral (TP&N)		4 Pole (3ph + Sw N ²)	
	20A	KG10	T203/GBA168 *RB2			KG10	T204/GBA268 *RB2
	25A	KG20	T203/GBA169 *RB2	KG20	T207/GBA175 *RB2	KG20	T204/GBA269 *RB2
	32A	KG32	T203/GBA169 *RB2	KG32	T207/GBA175 *RB2	KG32	T204/GBA269 *RB2
	40A	KG41	T203/GBA159 *RB2	KG41	T207/GBA175 *RB2	KG41	T204/GBA259 *RB2
	63A	KG64	T203/GBA159 *RB2	KG64	T207/GBA175 *RB2	KG64	T204/GBA259 *RB2
	80A	KG80	T203/GBA159 *RB3	KG80	T207/GBA175 *RB3	KG80	T204/GBA259 *RB3
	100A	KG100	T203/GBA159 *RB3	KG100	T207/GBA175 *RB3	KG100	T204/GBA259 *RB3
	125A	KG105	T203/GBA159 *RB3	KG105	T207/GBA175 *RB3	KG105	T204/GBA259 *RB3
	125A ³⁾	KG125	T203/GBA165 *RB8	KG125	T207/GBA180 *RB8	KG125	T204/GBA265 *RB8
160A	KG160	T203/GBA165 *RB8	KG160	T207/GBA180 *RB8	KG160	T204/GBA265 *RB8	
200A	KG210	T203/GBA175 *RB9	KG210	T207/GBA185 *RB9	KG210	T204/GBA275 *RB9	
250A	KG250	T203/GBA175 *RB9	KG250	T207/GBA185 *RB9	KG250	T204/GBA275 *RB9	
275A							
315A	KG315	T203/GBA175 *RB9	KG315	T207/GBA185 *RB9	KG315	T204/GBA275 *RB9	

Main Switches - 3 & 4 Pole (IP65) - with black padlockable handle 250A - 1250A

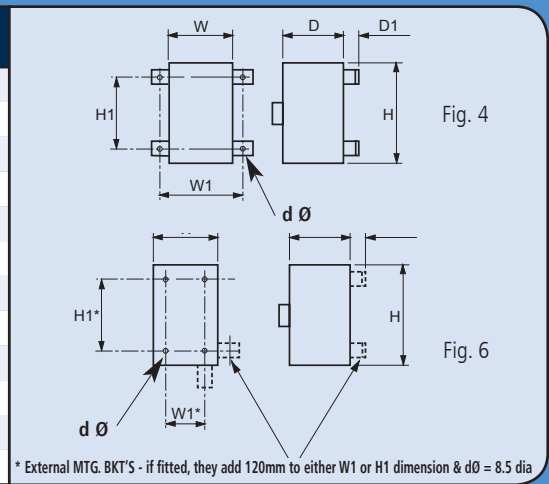


With Auxiliaries ¹	le AC-21A	3 Pole + aux		3 Pole + aux + Neutral Link		4 Pole + aux	
	250A	UK250/A	3011ST02 *RB25	UK250/A	3111ST02 *RB25	UK250/A	4011ST02 *RB25
	315A	UK315/A	3011ST02 *RB26	UK315/A	3111ST02 *RB26	UK315/A	4011ST02 *RB26
	400A	UK400/A	3011ST02 *RB26	UK400/A	3111ST02 *RB26	UK400/A	4011ST02 *RB26
	630A	UK630/A	3011ST02 *RB27	UK630/A	3111ST02 *RB27	UK630/A	4011ST02 *RB27
	800A	UK800/A	3011ST02 *RB28	UK800/A	3111ST02 *RB28	UK800/A	4011ST02 *RB28
	1000A	UK1000/A	3011ST02 *RB28	UK1000/A	3111ST02 *RB28	UK1000/A	4011ST02 *RB28
1250A	UK1250/A	3011ST02 *RB28	UK1250/A	3111ST02 *RB28	UK1250/A	4011ST02 *RB28	

DIMENSIONS



Encl. Ref.	Encl. Dim.				Encl. Dim.			Cable Entries.	Line Drg.
	H	W	D	D1	H1	W1	d		
RB2	194	119	115	8	133	137	6	-	Fig. 4
RB3	254	149	125	8	193	167	6	-	Fig. 4
RB4	309	234	150	8	248	252	6	-	Fig. 4
RB8	400	300	175	-	340	240	6.5	2 x gland plates	Fig. 6
RB9	500	400	175	-	440	340	6.5	2 x gland plates	Fig. 6
RB10	500	400	300	-	440	340	6.5	2 x gland plates	Fig. 6
RB20	250	175	175	-	225	195	6	-	Fig. 4
RB25	650	450	225	-	590	390	6.5	2 x gland plates	Fig. 6
RB26	800	550	225	-	740	490	6.5	2 x gland plates	Fig. 6
RB27	900	600	300	-	840	540	6.5	2 x gland plates	Fig. 6
RB28	1000	800	400	-	940	740	6.5	4 x gland plates	Fig. 6
RB29	750	450	300	-	690	390	6.5	2 x gland plates	Fig. 6



Please refer to end of part no. for enclosure reference. See tables below:

6 Pole		9 Pole		12 Pole		le AC-21A
			UK 20/9000ST01 *RB20		UK 20/12000ST01 *RB20	20A
KG20B	T206/GBA309 *RB2		UK 25/9000ST01 *RB20		UK 25/12000ST01 *RB20	25A
KG32B	T206/GBA309 *RB2		UK 32/9000ST01 *RB20		UK 32/12000ST01 *RB20	32A
KG41B	T206/GBA309 *RB3					40A
KG64B	T206/GBA309 *RB3					63A
KG80	T206/GBA309 *RB4					80A
KG100	T206/GBA309 *RB4					100A
						125A
KG125	T206/GBA309 *RB9					125A ³⁾
KG160	T206/GBA309 *RB9					160A
C200-4	T206/GBA309 *RB10					200A
						250A
C316	T206/GBA309 *RB10					275A
C316	T206/GBA309 *RB29					315A

6 Pole		9 Pole		12 Pole		le AC-21A
			UK 20/9020ST01 *RB20		UK 20/12020ST01 *RB20	20A
KG20B	T206/GBA359 *RB2		UK 25/9020ST01 *RB20		UK 25/12020ST01 *RB20	25A
KG32B	T206/GBA359 *RB2		UK 32/9020ST01 *RB20		UK 32/12020ST01 *RB20	32A
KG41B	T206/GBA359 *RB3					40A
KG64B	T206/GBA359 *RB3					63A
KG80	T206/GBA359 *RB4					80A
KG100	T206/GBA359 *RB4					100A
						125A
KG125	T206/GBA365 *RB9					125A ³⁾
KG160	T206/GBA365 *RB9					160A
C200-4	T206/GBA365 *RB10					200A
						250A
C316	T206/GBA006 *RB10					275A
C316	T206/GBA365 *RB29					315A

Notes

- The following auxiliary contacts are provided:-
 - KG10 1 N.O. (early break) + 1 N.C.
 - KG20 to KG105 2 N.O. (early break)
 - KG125 to KG315 2 N.O. (early break) + 2 N.C.
 - UK20 to UK32 2 N.O. (early break)
 - C316/C200-4 2 N.O. (early break)
 - UK250/A to UK1250/A 1 N.O. (early break) + 1 N.C.

2) Switched neutral pole is early make/late break.

3) KG125 suitable for applications requiring larger cable termination and increased enclosure size.



Main/Emergency-Off Switch - 3, 4 & 6 Pole 20A - 315A



- IP66 protection
- red/yellow padlockable handle
- optional black handle available
- bright stainless steel enclosure, grade 316L
- earth terminal & lid bonding link included
- switch interlocked with lid to prevent opening in 'ON' position

Without Auxiliaries	le AC-21A	3 Pole		3 Pole + Solid Neutral (TP&N)		4 Pole (3ph + Sw N ²)	
	20A	KG10	T203/GBA419 *SB2			KG10	T204/GBA519 *SB2
	25A	KG20	T203/GBA419 *SB2	KG20	T207/GBA420 *SB2	KG20	T204/GBA519 *SB2
	32A	KG32	T203/GBA419 *SB2	KG32	T207/GBA420 *SB2	KG32	T204/GBA519 *SB2
	40A	KG41	T203/GBA409 *SB2	KG41	T207/GBA420 *SB2	KG41	T204/GBA509 *SB2
	63A	KG64	T203/GBA409 *SB2	KG64	T207/GBA420 *SB2	KG64	T204/GBA509 *SB2
	80A	KG80	T203/GBA409 *SB3	KG80	T207/GBA420 *SB3	KG80	T204/GBA509 *SB3
	100A	KG100	T203/GBA409 *SB3	KG100	T207/GBA420 *SB3	KG100	T204/GBA509 *SB3
	125A	KG105	T203/GBA409 *SB3	KG105	T207/GBA420 *SB3	KG105	T204/GBA509 *SB3
	125A ³⁾	KG125	T203/GBA409 *SB8	KG125	T207/GBA420 *SB8	KG125	T204/GBA509 *SB8
160A	KG160	T203/GBA409 *SB8	KG160	T207/GBA420 *SB8	KG160	T204/GBA509 *SB8	
200A	KG210	T203/GBA409 *SB9	KG210	T207/GBA420 *SB9	KG210	T204/GBA509 *SB9	
250A	KG250	T203/GBA409 *SB9	KG250	T207/GBA420 *SB9	KG250	T204/GBA509 *SB9	
315A	KG315	T203/GBA409 *SB9	KG315	T207/GBA420 *SB9	KG315	T204/GBA509 *SB9	

With Auxiliaries ¹	le AC-21A	3 Pole		3 Pole + Solid Neutral (TP&N)		4 Pole (3ph + Sw N ²)	
	20A	KG10	T203/GBA468 *SB2			KG10	T204/GBA568 *SB2
	25A	KG20	T203/GBA469 *SB2	KG20	T207/GBA480 *SB2	KG20	T204/GBA569 *SB2
	32A	KG32	T203/GBA469 *SB2	KG32	T207/GBA480 *SB2	KG32	T204/GBA569 *SB2
	40A	KG41	T203/GBA459 *SB2	KG41	T207/GBA480 *SB2	KG41	T204/GBA559 *SB2
	63A	KG64	T203/GBA459 *SB2	KG64	T207/GBA480 *SB2	KG64	T204/GBA559 *SB2
	80A	KG80	T203/GBA459 *SB3	KG80	T207/GBA480 *SB3	KG80	T204/GBA559 *SB3
	100A	KG100	T203/GBA459 *SB3	KG100	T207/GBA480 *SB3	KG100	T204/GBA559 *SB3
	125A	KG105	T203/GBA459 *SB3	KG105	T207/GBA480 *SB3	KG105	T204/GBA559 *SB3
	125A ³⁾	KG125	T203/GBA475 *SB8	KG125	T207/GBA490 *SB8	KG125	T204/GBA565 *SB8
160A	KG160	T203/GBA475 *SB8	KG160	T207/GBA490 *SB8	KG160	T204/GBA565 *SB8	
200A	KG210	T203/GBA485 *SB9	KG210	T207/GBA495 *SB9	KG210	T204/GBA575 *SB9	
250A	KG250	T203/GBA485 *SB9	KG250	T207/GBA495 *SB9	KG250	T204/GBA575 *SB9	
315A	KG315	T203/GBA485 *SB9	KG315	T207/GBA495 *SB9	KG315	T204/GBA575 *SB9	

Main Switches - 3 & 4 Pole (IP65) - with black padlockable handle 250A - 1250A



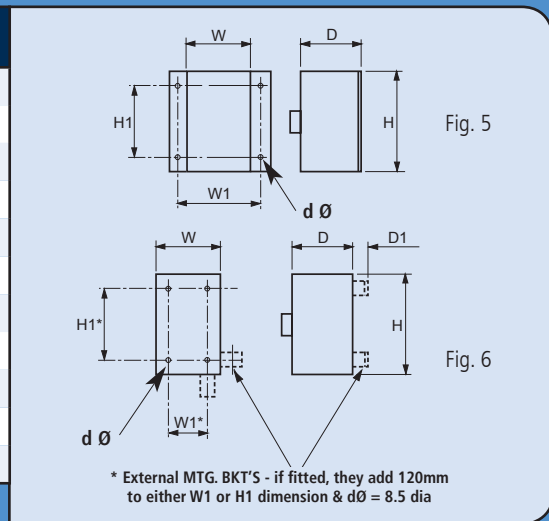
With Auxiliaries ¹	le AC-21A	3 Pole + aux		3 Pole + aux + Neutral Link		4 Pole + aux	
	250A	UK250/A	3011ST02 *SB25	UK250/A	3111ST02 *SB25	UK250/A	4011ST02 *SB25
	315A	UK315/A	3011ST02 *SB26	UK315/A	3111ST02 *SB26	UK315/A	4011ST02 *SB26
	400A	UK400/A	3011ST02 *SB26	UK400/A	3111ST02 *SB26	UK400/A	4011ST02 *SB26
	630A	UK630/A	3011ST02 *SB27	UK630/A	3111ST02 *SB27	UK630/A	4011ST02 *SB27
	800A	UK800/A	3011ST02 *SB28	UK800/A	3111ST02 *SB28	UK800/A	4011ST02 *SB28
	1000A	UK1000/A	3011ST02 *SB28	UK1000/A	3111ST02 *SB28	UK1000/A	4011ST02 *SB28
1250A	UK1250/A	3011ST02 *SB28	UK1250/A	3111ST02 *SB28	UK1250/A	4011ST02 *SB28	



DIMENSIONS

Encl. Ref.	H	Encl. Dim.			Encl. Dim.			Cable Entries.	Line Drg.
		W	D	D1	H1	W1	d		
SB2	194	119	116.5	-	133	137	6	-	Fig. 5
SB3	254	149	126.5	-	193	167	6	-	Fig. 5
SB4	309	234	151.5	-	248	252	6	-	Fig. 5
SB8	400	300	175	-	340	240	6.5	2 x gland plates	Fig. 6
SB9	500	400	175	-	440	340	6.5	2 x gland plates	Fig. 6
SB10	500	400	300	-	440	340	6.5	2 x gland plates	Fig. 6
SB25	650	450	225	-	590	390	6.5	2 x gland plates	Fig. 6
SB26	800	550	225	-	740	490	6.5	2 x gland plates	Fig. 6
SB27	900	600	300	-	840	540	6.5	2 x gland plates	Fig. 6
SB28	1000	800	400	-	940	740	6.5	2 x gland plates	Fig. 6
SB29	750	450	300	-	690	390	6.5	2 x gland plates	Fig. 6

Please refer to end of part no. for enclosure reference. See tables below:



6 Pole		le AC-21A
KG20B	T206/GBA609 *SB2	20A
KG32B	T206/GBA609 *SB2	25A
KG41B	T206/GBA609 *SB3	32A
KG64B	T206/GBA609 *SB3	40A
KG80	T206/GBA609 *SB4	63A
KG100	T206/GBA609 *SB4	80A
KG125	T206/GBA609 *SB9	100A
KG160	T206/GBA609 *SB9	125A ³⁾
C200-4	T206/GBA609 *SB10	160A
C316	T206/GBA609 *SB29	200A
		250A
		315A

6 Pole		le AC-21A
KG20B	T206/GBA659 *SB2	20A
KG32B	T206/GBA659 *SB2	25A
KG41B	T206/GBA659 *SB3	32A
KG64B	T206/GBA659 *SB3	40A
KG80	T206/GBA659 *SB4	63A
KG100	T206/GBA659 *SB4	80A
KG125	T206/GBA665 *SB9	100A
KG160	T206/GBA665 *SB9	125A ³⁾
C200-4	T206/GBA003 *SB10	160A
C316	T206/GBA659 *SB29	200A
		250A
		315A

Notes

- The following auxiliary contacts are provided:-
 - KG10 1 N.O. (early break) + 1 N.C.
 - KG20 to KG105 2 N.O. (early break)
 - KG125 to KG315 2 N.O. (early break) + 2 N.C.
 - C316/C200-4 2 N.O. (early break)
 - UK250/A to UK1250/A 1 N.O. (early break) + 1 N.C.

2) Switched neutral pole is early make/late break.

3) KG125 suitable for applications requiring larger cable termination and increased enclosure size.

we
Cam
help you...

- 20-2400 Amps I_{th}
- Ex-stock availability
- Vast range of optional extras

NEW Snap-on version **CA10**

Kraus & Naimer
Cam Switches



Main/Emergency-Off Switch in sloping roof enclosure - 3 Pole, 3 Pole + Neutral & 4 Pole 25A - 125A



- IP65 protection
- red/yellow handle as standard
- optional black handle available
- range from 20A-125A
- brushed stainless steel enclosure, grade 304L
- integral canopy
- other options available on request

le AC-21A	Encl. Ref.	3 Pole +2 n/o aux			3 Pole + solid neutral +2 n/o aux			
20A	SR04	KG10	T203/GBA630 *SR04					
25A	SR04	KG20	T203/GBA630 *SR04		KG20	T207/GBA640 *SR04		
32A	SR04	KG32	T203/GBA630 *SR04		KG32	T207/GBA640 *SR04		
25A	SR14	KG20	T203/GBA601 *SR14		KG20	T207/GBA603 *SR14		
32A	SR14	KG32	T203/GBA601 *SR14		KG32	T207/GBA603 *SR14		
40A	SR14	KG41	T203/GBA601 *SR14		KG41	T207/GBA603 *SR14		
63A	SR14	KG64	T203/GBA601 *SR14		KG64	T207/GBA603 *SR14		
80A	SR24	KG80	T203/GBA601 *SR24		KG80	T207/GBA603 *SR24		
100A	SR24	KG100	T203/GBA601 *SR24		KG100	T207/GBA603 *SR24		
125A	SR24	KG105	T203/GBA601 *SR24		KG105	T207/GBA603 *SR24		

Main/Emergency-Off Switch in sloping roof enclosure with mounting plate - 3 Pole, 3 Pole + Neutral



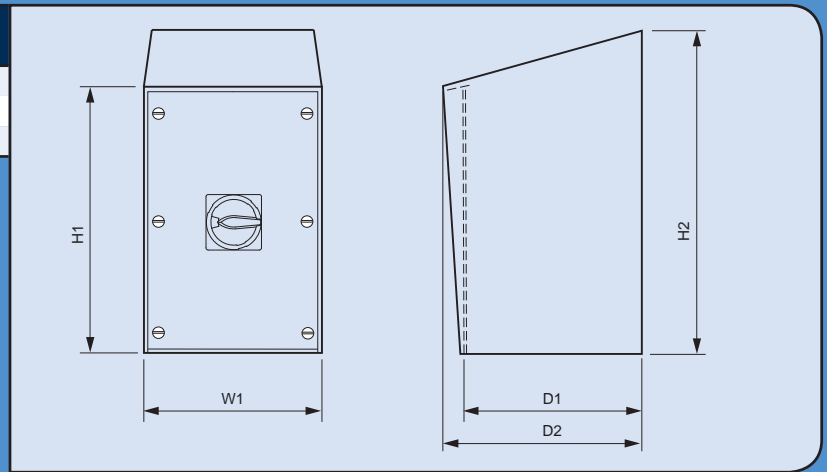
- IP65 protection
- welded back mounting plate
- red/yellow handle as standard
- optional black handle available
- range from 20A-125A
- brushed stainless steel enclosure, grade 304L
- integral canopy

le AC-21A	Encl. Ref.	3 Pole +2 n/o aux			3 Pole + solid neutral +2 n/o aux			
20A	SR04L	KG10	T203/GBA660 *SR04L					
25A	SR04L	KG20	T203/GBA660 *SR04L		KG20	T207/GBA670 *SR04L		
25A	SR04L	KG32	T203/GBA660 *SR04L		KG32	T207/GBA670 *SR04L		
32A	SR14L	KG20	T203/GBA601 *SR14L		KG20	T207/GBA603 *SR14L		
32A	SR14L	KG32	T203/GBA601 *SR14L		KG32	T207/GBA603 *SR14L		
40A	SR14L	KG41	T203/GBA601 *SR14L		KG41	T207/GBA603 *SR14L		
63A	SR14L	KG64	T203/GBA601 *SR14L		KG64	T207/GBA603 *SR14L		
80A	SR24L	KG80	T203/GBA601 *SR24L		KG80	T207/GBA603 *SR24L		
100A	SR24L	KG100	T203/GBA601 *SR24L		KG100	T207/GBA603 *SR24L		
125A	SR24L	KG105	T203/GBA601 *SR24L		KG105	T207/GBA603 *SR24L		

DIMENSIONS



Encl. Ref.	Front Plate		Side View		
	H1	W1	D1	D2	H2
SR04	170	130	103	122	196
SR14	193	130	132	151	234
SR24	278	185	152	170	324



4 Pole (3ph + Sw N ¹) +2 n/o aux		le AC-21A
KG10	T204/GBA650 *SR04	20A
KG20	T204/GBA650 *SR04	25A
KG32	T204/GBA650 *SR04	32A
KG20	T204/GBA602 *SR14	25A
KG32	T204/GBA602 *SR14	32A
KG41	T204/GBA602 *SR14	40A
KG64	T204/GBA602 *SR14	63A
KG80	T204/GBA602 *SR24	80A
KG100	T204/GBA602 *SR24	100A
KG105	T204/GBA602 *SR24	125A

- The 15° Sloping Roof deflects water and prevents items from being placed on top of the enclosure, making it easier and safer to clean

Note

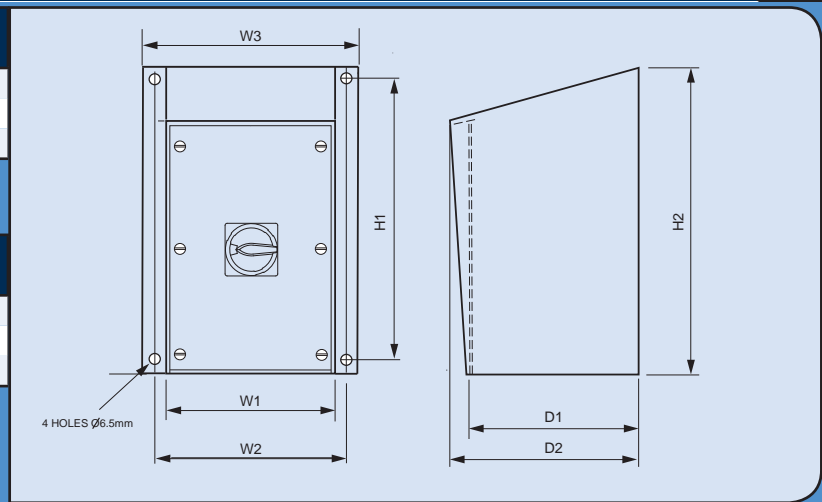
1) Switched neutral pole is early make/late break.

DIMENSIONS



Encl. Ref.	Front View			
	H1	W1	W2	W3
SR04L	171	130	155	180
SR14L	209	130	155	180
SR24L	299	185	210	260

Encl. Ref.	Side View		
	H2	D1	D2
SR04L	196	104.2	123.2
SR14L	234	133.2	152.2
SR24L	324	153.2	171.2



4 Pole (3ph + Sw N ¹) +2 n/o aux		le AC-21A
KG10	T204/GBA680 *SR04L	20A
KG20	T204/GBA680 *SR04L	25A
KG32	T204/GBA680 *SR04L	32A
KG20	T204/GBA602 *SR14L	25A
KG32	T204/GBA602 *SR14L	32A
KG41	T204/GBA602 *SR14L	40A
KG64	T204/GBA602 *SR14L	63A
KG80	T204/GBA602 *SR24L	80A
KG100	T204/GBA602 *SR24L	100A
KG105	T204/GBA602 *SR24L	125A

Note

1) Switched neutral pole is early make/late break.



Main/Emergency-Off Switch - 3, 4, & 6 Pole
25A - 315A

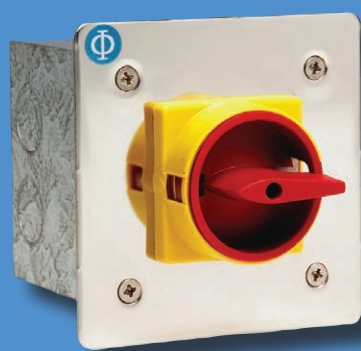


- IP66 protection
- red/yellow padlockable handle
- optional black handle available
- GRP enclosure, grey RAL7035
- earth terminal included
- switch interlocked with lid to prevent opening in 'ON' position

Without Auxiliaries	le AC-21A	3 Pole		3 Pole + Solid Neutral (TP&N)		4 Pole (3ph + Sw N ²)	
	25A	KG20	T203/GB00U2 *GP1	KG20	T207/GB00U2 *GP1	KG20	T204/GB00U2 *GP1
	32A	KG32	T203/GB00U2 *GP1	KG32	T207/GB00U2 *GP1	KG32	T204/GB00U2 *GP1
	40A	KG41	T203/GB00U2 *GP1	KG41	T207/GB00U2 *GP1	KG41	T204/GB00U2 *GP1
	63A	KG64	T203/GB00U2 *GP1	KG64	T207/GB00U2 *GP1	KG64	T204/GB00U2 *GP1
	80A	KG80	T203/GB00U2 *GP1	KG80	T207/GB00U2 *GP1	KG80	T204/GB00U2 *GP1
	100A	KG100	T203/GB00U2 *GP1	KG100	T207/GB00U2 *GP1	KG100	T204/GB00U2 *GP1
	125A	KG105	T203/GB00U2 *GP1	KG105	T207/GB00U2 *GP1	KG105	T204/GB00U2 *GP1
	125A ³⁾	KG125	T203/GB00T2 *GP6	KG125	T207/GB00T2 *GP6	KG125	T204/GB00T2 *GP6
	160A	KG160	T203/GB00T2 *GP6	KG160	T207/GB00T2 *GP6	KG160	T204/GB00T2 *GP6
200A	KG210	T203/GB00T1 *GP6	KG210	T207/GB00T1 *GP6	KG210	T204/GB00T1 *GP6	
250A	KG250	T203/GB00T1 *GP6	KG250	T207/GB00T1 *GP6	KG250	T204/GB00T1 *GP6	
315A	KG315	T203/GB00T1 *GP6	KG315	T207/GB00T1 *GP6	KG315	T204/GB00T1 *GP6	

With Auxiliaries ¹	le AC-21A	3 Pole		3 Pole + Solid Neutral (TP&N)		4 Pole (3ph + Sw N ²)	
	25A	KG20	T203/GB20U2 *GP1	KG20	T207/GB20U2 *GP1	KG20	T204/GB20U2 *GP1
	32A	KG32	T203/GB20U2 *GP1	KG32	T207/GB20U2 *GP1	KG32	T204/GB20U2 *GP1
	40A	KG41	T203/GB20U2 *GP1	KG41	T207/GB20U2 *GP1	KG41	T204/GB20U2 *GP1
	63A	KG64	T203/GB20U2 *GP1	KG64	T207/GB20U2 *GP1	KG64	T204/GB20U2 *GP1
	80A	KG80	T203/GB20U2 *GP1	KG80	T207/GB20U2 *GP1	KG80	T204/GB20U2 *GP1
	100A	KG100	T203/GB20U2 *GP1	KG100	T207/GB20U2 *GP1	KG100	T204/GB20U2 *GP1
	125A	KG105	T203/GB20U2 *GP1	KG105	T207/GB20U2 *GP1	KG105	T204/GB20U2 *GP1
	125A ³⁾	KG125	T203/GB22T2 *GP6	KG125	T207/GB22T2 *GP6	KG125	T204/GB22T2 *GP6
	160A	KG160	T203/GB22T2 *GP6	KG160	T207/GB22T2 *GP6	KG160	T204/GB22T2 *GP6
200A	KG210	T203/GB22T1 *GP6	KG210	T207/GB22T1 *GP6	KG210	T204/GB22T1 *GP6	
250A	KG250	T203/GB22T1 *GP6	KG250	T207/GB22T1 *GP6	KG250	T204/GB22T1 *GP6	
315A	KG315	T203/GB22T1 *GP6	KG315	T207/GB22T1 *GP6	KG315	T204/GB22T1 *GP6	

Main/emergency-Off Switch with flush mounting - 2, 3 & 4 Pole
20A - 63A



- IP40 protection. IP65 can be achieved if suitable sealant is used between faceplate /mounting surface and under the head of the countersunk fixing screws
- red/yellow padlockable handle, optional black handle available
- bright stainless steel flush mounting front plate, grade 316L (earth stud included)
- galvanised steel adaptable box included, with M20 conduit knock outs and earth stud
- auxiliary contacts available

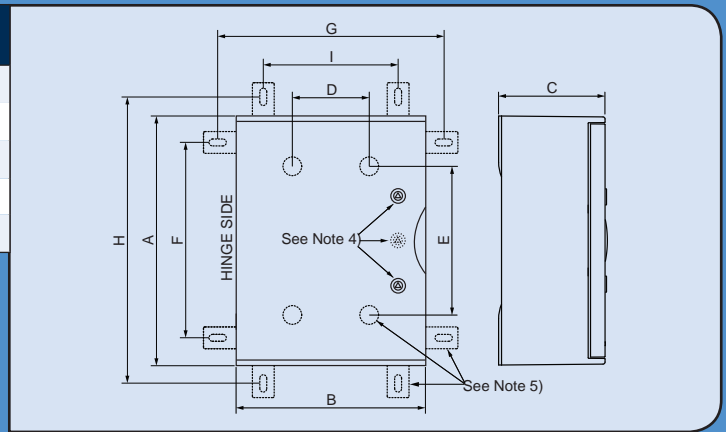
le AC-21A	Order Code No.	
2 pole		
20A	KG10	T202/GBA011*SF1
3 pole		
20A	KG10	T203/GBA286*SF1
25A	KG20	T203/GBA286*SF2
32A	KG32	T203/GBA286*SF2
40A	KG41	T203/GBA286*SF3
63A	KG64	T203/GBA286*SF3
4 pole		
20A	KG10	T204/GBA304*SF1
25A	KG20	T204/GBA304*SF2
32A	KG32	T204/GBA304*SF2
40A	KG41	T204/GBA304*SF3
63A	KG64	T204/GBA304*SF3



DIMENSIONS

Encl. Ref.	A	B	C	D	E	F	G	H	I
GP1	303	265	167	110	150	222	316	354	184
GP3	428	325	183	132	255	348	377	480	245
GP6	500	430	210	240	330	423	485	555	353
GP23	654	543	265	348	480	573	594	705	462
GP27	806	616	319	420	630	723	665	855	533

Please refer to end of part no. for enclosure reference.
See tables below:



6 Pole		le AC-21A
KG20B	T206/GB00U2 *GP1	25A
KG32B	T206/GB00U2 *GP1	32A
KG41B	T206/GB00U2 *GP1	40A
KG64B	T206/GB00U2 *GP1	63A
KG80	T206/GB00U2 *GP3	80A
KG100	T206/GB00U2 *GP3	100A
KG105	T206/GB00U2 *GP3	125A
KG125	T206/GB00T2 *GP6	125A ³⁾
KG160	T206/GB00T2 *GP6	160A
C200-4	T206/GB00T1 *GP23	200A
		250A
C316	T206/GB00T1 *GP27	315A

- **External mounting brackets (which can be fitted either vertically or horizontally) are included as standard.**

6 Pole		le AC-21A
KG20B	T206/GB20U2 *GP1	25A
KG32B	T206/GB20U2 *GP1	32A
KG41B	T206/GB20U2 *GP1	40A
KG64B	T206/GB20U2 *GP1	63A
KG80	T206/GB20U2 *GP3	80A
KG100	T206/GB20U2 *GP3	100A
KG105	T206/GB20U2 *GP3	125A
KG125	T206/GB22T2 *GP6	125A ³⁾
KG160	T206/GB22T2 *GP6	160A
C200-4	T206/GB22T1 *GP23	200A
		250A
C316	T206/GB22T1 *GP27	315A

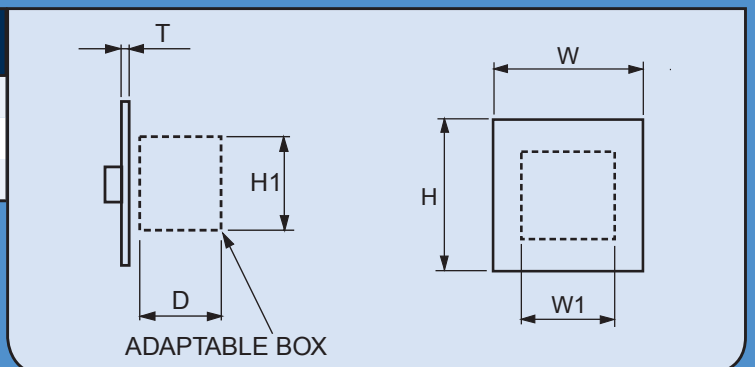
Notes

- 1) The following auxiliary contacts are provided:-
 KG20 to KG105 2 N.O. (early break)
 KG125 to KG315 2 N.O. (early break) + 2 N.C.
 C200-4 & C316 2 N.O. (early break)
- 2) Switched neutral pole is early make/late break.
- 3) KG125 suitable for applications requiring larger cable termination and increased enclosure size.
- 4) GP1 enclosures have only 1 quarter turn lock, GP3, GP6, GP23 & GP27 enclosures have 2 quarter turn locks.
- 5) Dimensions 'D' and 'E' show the position for drilling internal fixing holes. External mounting brackets, which can be fixed either horizontally or vertically, are included with each switch.

DIMENSIONS

Encl. Ref.	Front Plate			Adaptable Box			Cable Entries.
	H	W	T	H1	W1	D	
SF1	100	100	2	78	78	77	8 x 20mm k'outs
SF2	125	125	2	103	103	77	12 x 20mm k'outs
SF3	175	175	2	153	153	102	16 x 20mm k'outs

Please refer to end of part no. for enclosure reference.
See adjacent table.





Defeatable door interlock



- IP66 protection
- red/yellow padlockable handle
- earth terminal included
- GRP enclosure, grey (RAL7035)
- when required for maintenance purposes, qualified personnel can defeat the door interlock and enable the door to be opened whilst the switch is in the "ON" position

le AC-21A	3 Pole + Aux			4 Pole (3ph + Sw N ²) + aux ¹		
40A	KG41	T203/GB20V3 *GP1		KG41	T204/GB20V3 *GP1	
63A	KG64	T203/GB20V3 *GP1		KG64	T204/GB20V3 *GP1	
80A	KG80	T203/GB20V3 *GP1		KG80	T204/GB20V3 *GP1	
100A	KG100	T203/GB20V3 *GP1		KG100	T204/GB20V3 *GP1	
125A	KG105	T203/GB20V3 *GP1		KG105	T204/GB20V3 *GP1	
125A ³⁾	KG125	T203/GB22V5 *GP18		KG125	T204/GB22V5 *GP18	
160A	KG160	T203/GB22V5 *GP18		KG160	T204/GB22V5 *GP18	
200A	KG210	T203/GB22V5 *GP18		KG210	T204/GB22V5 *GP18	
250A	KG250	T203/GB22V5 *GP18		KG250	T204/GB22V5 *GP18	
315A	KG315	T203/GB22V5 *GP18		KG315	T204/GB22V5 *GP18	

Need a base mounting switch?

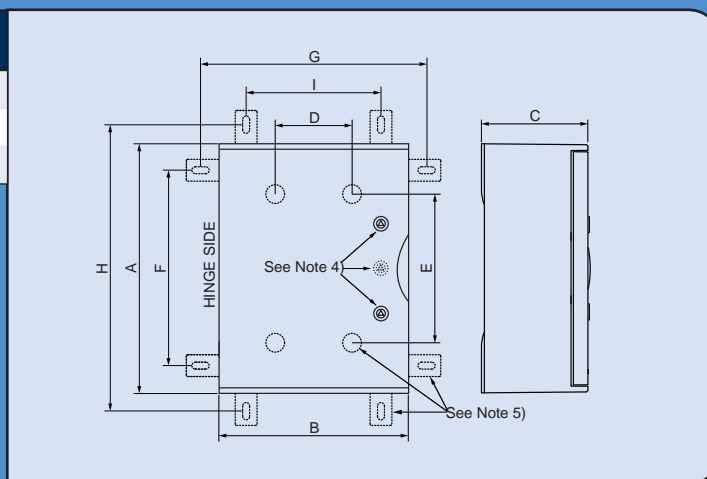
Take a look at **page 39** of our **green section**

BASE MOUNTING - DEFEATABLE DOOR INTERLOCK Four hole fixing handle
3 , 4 & 6 Pole, 40A - 315A

DIMENSIONS



Encl. Ref.	A	B	C	D	E	F	G	H	I
GP1	303	265	167	110	150	222	316	354	184
GP17	428	325	183	132	255	348	377	480	245
GP18	500	430	210	240	330	423	485	555	353



Please refer to end of part no. for enclosure reference. See table below:

	6 Pole + aux ¹		Ie AC-21A
KG41B	T206/GB20V5 *GP17		40A
KG64B	T206/GB20V5 *GP17		63A
KG80	T206/GB20V5 *GP17		80A
KG100	T206/GB20V5 *GP17		100A
KG105	T206/GB20V5 *GP17		125A
KG125	T206/GB22V5 *GP18		125A ³⁾
KG160	T206/GB22V5 *GP18		160A
			200A
			250A
			315A

KG41 - KG105, 3 & 4 pole items above utilise the M800 defeatable door interlock device. (See note 6)

KG125 - KG160, 3 & 4 pole + KG41B - KG160, 6 pole items above utilise the M700 defeatable door interlock device. (See note 6)

Notes

- 1) The following auxiliary contacts are provided:-
 KG41 to KG105 2 N.O. (early break)
 KG125 to KG160 2 N.O. (early break) + 2 N.C.
- 2) Switched neutral pole is early make/late break.
- 3) KG125 suitable for applications requiring larger cable termination and increased enclosure size.
- 4) GP1 enclosures have 1 quarter turn lock, GP17 & GP18 enclosures have 2 quarter turn locks.
- 5) Dimensions 'D' and 'E' show the position for drilling internal fixing holes. External mounting brackets (which can be fixed either horizontally or vertically), are included with each switch.
- 6) In normal operation the switch handle is padlockable in the OFF position only and interlocked with the shaft in the ON position to prevent opening of the panel door. Shaft and handle are also interlocked in the OFF position if a padlock is fitted to the handle with the panel door closed.

Options can include:

- terminal blocks
- push buttons & pilot lights can be fitted to the enclosure lid as required
- emergency stop push button
- lockable door



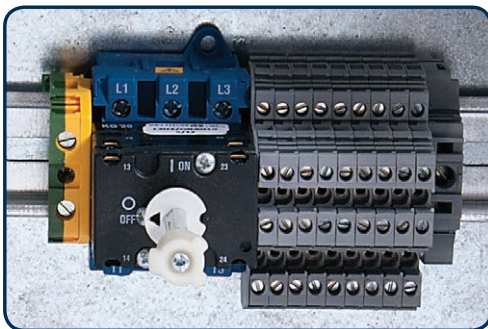
Main/Emergency-Off Switch - 3, 4, & 6 Pole 25A - 315A



- IP65 protection
- red/yellow padlockable handle
- optional black handle available
- GRP enclosure grey (RAL7035) or red (RAL3000)
- earth terminal included
- key lockable hinged lid
- lid interlock to prevent opening in 'ON' position

Combine a number of different switches/devices in one enclosure.

Kraus & Naimer offer a standard range of rotary isolators/changeover switches in GRP enclosures ranging from 25A to 315A, from 3 - 6 Pole and can offer a variety of different options fitted to these from stock.



Please contact us to discuss exact requirements. Our team are highly trained and ready to help with any technical questions you may have.

Options can include:

1. isolating switch + emergency stop push button
2. emergency stop push button with/without shroud
3. isolating switch + up to 3 push buttons/ pilot lights
4. defeatable door interlock
5. terminal block as required
6. lockable door



Main/emergency-Off Switch - 4 & 6 Pole + Emergency Stop Pushbutton
25A - 100A



- IP66 protection
- red/yellow padlockable handle
- stayput emergency- stop pushbutton, 1 N.C. contact, twist to reset
- insulated enclosure, grey (RAL7035)
- earth terminal included
- switch interlocked with lid to prevent opening in 'ON' position

le AC-21A	Order Code No.		Encl.Ref.
4 pole (3 ph+Sw N¹) + 1 n.o. (early break) + 1 n.c. aux			
25A	KG20	T204/GBA285*KL	KLD
32A	KG32	T204/GBA285*KL	KLD
40A	KG41	T204/GBA285*KL	KLD
63A	KG64	T204/GBA285*KL	KLD
80A	KG80	T204/GBA285*KL	KLD
100A	KG100	T204/GBA285*KL	KLD
6 pole + 1 n.o. (early break) + 1 n.c. aux			
25A	KG20B	T206/GBA095*KL	KLD
32A	KG32B	T206/GBA095*KL	KLD
40A	KG41B	T206/GBA095*KL	KLD
63A	KG64B	T206/GBA095*KL	KLD

Main/emergency-Off Switch - 4 & 6 Pole + Emergency Stop Pushbutton
25A - 100A



- IP66 protection
- red/yellow padlockable handle
- stayput emergency- stop pushbutton, 1 N.C. contact, twist to reset
- grey powder paint finish (RAL7032) also available in red powder paint finish (RAL3000)
- earth terminal and lid bonding link included
- switch interlocked with lid to prevent opening in 'ON' position

le AC-21A	Order Code No.		Encl.Ref.
4 pole (3 ph+Sw N¹) + 1 n.o. (early break) + 1 n.c. aux			
25A	KG20	T204/GBA350* MB3E	MB3E
32A	KG32	T204/GBA350* MB3E	MB3E
40A	KG41	T204/GBA350* MB3E	MB3E
63A	KG64	T204/GBA350* MB3E	MB3E
80A	KG80	T204/GBA350* MB3E	MB3E
100A	KG100	T204/GBA350* MB3E	MB3E
6 pole + 1 n.o. (early break) + 1 n.c. aux			
25A	KG20B	T206/GBA155*MB3E	MB3E
32A	KG32B	T206/GBA155*MB3E	MB3E
40A	KG41B	T206/GBA155*MB3E	MB3E
63A	KG64B	T206/GBA155*MB3E	MB3E

Main/emergency-Off Switch - 4 & 6 Pole + Emergency Stop Pushbutton
25A - 100A



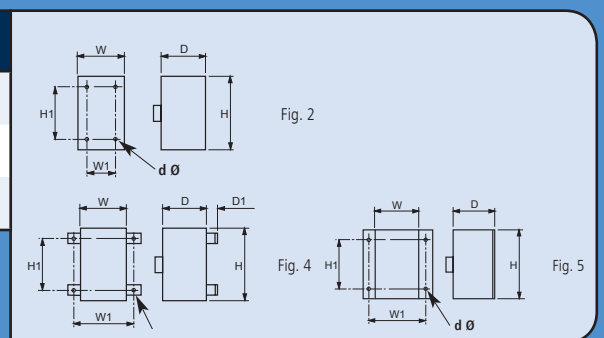
- IP66 protection
- red/yellow padlockable handle
- stayput emergency-stop pushbutton, 1 N.C. contact, twist to reset
- bright stainless steel enclosure, grade316L
- earth terminal and lid bonding link included
- switch interlocked with lid to prevent opening in 'ON' position

le AC-21A	Order Code No.		Encl.Ref.
4 pole (3 ph+Sw N¹) + 1 n.o. (early break) + 1 n.c. aux			
25A	KG20	T204/GBA440* SB3E	SB3E
32A	KG32	T204/GBA440* SB3E	SB3E
40A	KG41	T204/GBA440* SB3E	SB3E
63A	KG64	T204/GBA440* SB3E	SB3E
80A	KG80	T204/GBA440* SB3E	SB3E
100A	KG100	T204/GBA440* SB3E	SB3E
6 pole + 1 n.o. (early break) + 1 n.c. aux			
25A	KG20B	T206/GBA555*SB3E	SB3E
32A	KG32B	T206/GBA555*SB3E	SB3E
40A	KG41B	T206/GBA555*SB3E	SB3E
63A	KG64B	T206/GBA555*SB3E	SB3E

Notes 1) Switched neutral pole is early make / late break

DIMENSIONS

Encl. Ref.	Encl. Dim.				Encl. Dim.			Cable Entries.	Line Drg.
	H	W	D	D1	H1	W1	d		
KLD	250	145	107	-	229	124	6.5	4 x 25/40mm k'outs	Fig. 2
MB3E	254	149	125	8	193	167	6	-	Fig. 4
SB3E	254	149	126.5	-	193	167	6	-	Fig. 5



Changeover Switch with Centre Off - 2, 3 & 4 Pole
16A - 160A



Insulated



- IP66/67 protection
- auxiliary contacts provided with 3 & 4 pole switches
- black handle, padlockable in 'OFF' position
- earth terminal
- grey insulated enclosed (RAL7035)
- switch interlocked with lid to prevent opening in 'ON' position

le AC-21A	2 Pole		Encl. Ref		
16A	KH16	T902/GBA002 *KS52	KSA		
20A	KH20	T902/GBA002 *KS52	KSA		
25A	KH25	T902/GBA002 *KS52	KSA		
32A	KH32	T902/GBA002 *KL12	KLC		
40A	KH40	T902/GBA002 *KL12	KLC		
63A	KH63	T902/GBA002 *KL72	KLE		
80A	KH80	T902/GBA002 *KL72	KLE		
100A	KH85	T902/GBA012 *KL72	KLE		
125A					
125A ³⁾					
160A					

Mild Steel



- IP66 protection
- auxiliary contacts provided with 3 & 4 pole switches
- black handle, padlockable in 'OFF' position
- earth terminal & lid bonding link included
- grey powder paint finish (RAL7032) also available in red powder paint finish (RAL3000)
- switch interlocked with lid to prevent opening in 'ON' position

le AC-21A	2 Pole		Encl. Ref		
16A	KH16	T902/GBA020 *MB2	MB2		
20A	KH20	T902/GBA020 *MB2	MB2		
25A	KH25	T902/GBA020 *MB2	MB2		
32A	KH32	T902/GBA020 *MB2	MB2		
40A	KH40	T902/GBA020 *MB2	MB2		
63A	KH63	T902/GBA020 *MB3	MB3		
80A	KH80	T902/GBA020 *MB3	MB3		
100A	KH85	T902/GBA020 *MB3	MB3		
125A					
125A ³⁾					
160A					

Stainless Steel



- IP66 protection
- auxiliary contacts provided with 3 & 4 pole switches
- black handle, padlockable in 'OFF' position
- earth terminal & lid bonding link included
- bright stainless steel enclosure, grade 316L
- switch interlocked with lid to prevent opening in 'ON' position

le AC-21A	2 Pole		Encl. Ref		
16A	KH16	T902/GBA025 *SB2	SB2		
20A	KH20	T902/GBA025 *SB2	SB2		
25A	KH25	T902/GBA025 *SB2	SB2		
32A	KH32	T902/GBA025 *SB2	SB2		
40A	KH40	T902/GBA025 *SB2	SB2		
63A	KH63	T902/GBA025 *SB3	SB3		
80A	KH80	T902/GBA025 *SB3	SB3		
100A	KH85	T902/GBA025 *SB3	SB3		
125A					
125A ³⁾					
160A					

Notes
 1) 2-off electrically isolated early break auxiliary contacts are provided with the 3 & 4 pole switches. One of these contacts closes in position 1 and the other contact closes in position 2. Both of the contacts are open in the Off position.
 2) Switched neutral pole is early make/late break.
 3) KG125 suitable for applications requiring larger cable termination and increased enclosure size.



Φ Kraus & Naimer **Changeover Switches** meeting your requirement for a high quality, reliable and safe solution.
01635 262626
sales-uk@krausnaimer.com

Confident of your Changeover?
Choice of Insulated, Mild Steel or Stainless Steel enclosure



DIMENSIONS

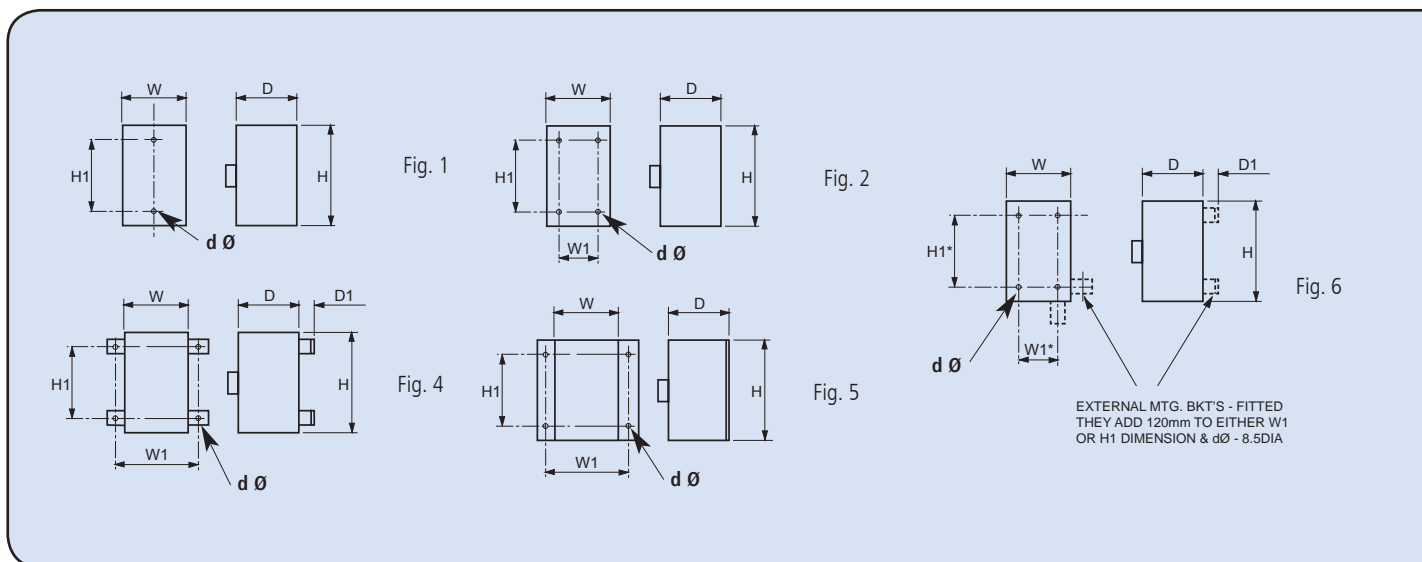
3 Pole ¹⁾			Encl. Ref	4 Pole (3ph+S _w N ²⁾ ¹⁾			Encl. Ref
KG20B	T903/GBA013 *KL		KLC	KG20B	T904/GBA014 *KL		KLD
KG32B	T903/GBA013 *KL		KLC	KG32B	T904/GBA014 *KL		KLD
KG41B	T903/GBA013 *KL		KLD	KG41B	T904/GBA004 *ST		ST2
KG64B	T903/GBA013 *KL		KLD	KG64B	T904/GBA004 *ST		ST2
KG80	T903/GBA013 *ST		STE	KG80	T904/GBA004 *ST		ST3
KG100	T903/GBA013 *ST		STE	KG100	T904/GBA004 *ST		ST3
				KG105	T904/GBA004 *ST		ST3
KG125	T903/GBA035 *ST		ST4	KG125	T904/GBA045 *ST		ST4
KG160	T903/GBA035 *ST		ST4	KG160	T904/GBA045 *ST		ST4

3 Pole ¹⁾			Encl. Ref	4 Pole (3ph+S _w N ²⁾ ¹⁾			Encl. Ref
KG20B	T903/GBA030 *MB3		MB3	KG20B	T904/GBA040 *MB3		MB3
KG32B	T903/GBA030 *MB3		MB3	KG32B	T904/GBA040 *MB3		MB3
KG41B	T903/GBA030 *MB3		MB3	KG41B	T904/GBA040 *MB3		MB3
KG64B	T903/GBA030 *MB3		MB3	KG64B	T904/GBA040 *MB3		MB3
KG80	T903/GBA030 *MB4		MB4	KG80	T904/GBA040 *MB4		MB4
KG100	T903/GBA030 *MB4		MB4	KG100	T904/GBA040 *MB4		MB4
				KG105	T904/GBA040 *MB4		MB4
KG125	T903/GBA055 *MB9		MB9	KG125	T904/GBA065 *MB9		MB9
KG160	T903/GBA055 *MB9		MB9	KG160	T904/GBA065 *MB9		MB9

3 Pole ¹⁾			Encl. Ref	4 Pole (3ph+S _w N ²⁾ ¹⁾			Encl. Ref
KG20B	T903/GBA050 *SB3		SB3	KG20B	T904/GBA060 *SB3		SB3
KG32B	T903/GBA050 *SB3		SB3	KG32B	T904/GBA060 *SB3		SB3
KG41B	T903/GBA050 *SB3		SB3	KG41B	T904/GBA060 *SB3		SB3
KG64B	T903/GBA050 *SB3		SB3	KG64B	T904/GBA060 *SB3		SB3
KG80	T903/GBA050 *SB4		SB4	KG80	T904/GBA060 *SB4		SB4
KG100	T903/GBA050 *SB4		SB4	KG100	T904/GBA060 *SB4		SB4
				KG105	T904/GBA060 *SB4		SB4
KG125	T903/GBA075 *SB9		SB9	KG125	T904/GBA085 *SB9		SB9
KG160	T903/GBA075 *SB9		SB9	KG160	T904/GBA085 *SB9		SB9

Encl. Ref.	Encl. Dim.				Encl. Dim.		
	H	W	D	D1	H1	W1	d
KSA	120	85	80	-	110	-	4.2
KLC	190	100	91	-	178	-	5.6
KLD	250	145	107	-	229	124	6.5
KLE	250	145	107	-	229	124	6.5
STE	280	190	230	-	254	164	7
ST2	280	190	130	-	254	164	7
ST3	380	280	180	-	354	254	7
ST4	560	380	180	-	534	354	7
MB2	194	119	115	-	133	137	6
MB3	254	149	125	8	193	167	6
MB4	309	234	150	8	248	252	6
MB9	500	400	175	-	440	340	6.5
SB2	194	119	116.5	-	133	137	6
SB3	254	149	126.5	-	193	167	6
SB4	309	234	151.5	-	248	252	6
SB9	500	400	175	-	440	340	6.5

Encl. Ref.	Cable Entries.	Line Drg.
KSA	4 x 20/25mm k'outs	Fig. 1
KLC	4 x 20/25mm k'outs	Fig. 1
KLD	4 x 25/40mm k'outs	Fig. 2
KLE	4 x 25/40mm k'outs	Fig. 2
STE	1 x gland plate	Fig. 2
ST2	2 x gland plates	Fig. 2
ST3	2 x gland plates	Fig. 2
ST4	2 x gland plates	Fig. 2
MB2	-	Fig. 4
MB3	-	Fig. 4
MB4	-	Fig. 4
MB9	2 x gland plates	Fig. 6
SB2	-	Fig. 5
SB3	-	Fig. 5
SB4	-	Fig. 5
SB9	2 x gland plates	Fig. 6



Changeover Switch with Centre Off - 2, 3 & 4 Pole 16A - 160A



- IP66 protection
- black handle, padlockable in 'OFF' position
- earth terminal included
- GRP enclosure, grey (RAL7035)
- switch interlocked with lid to prevent opening in 'ON' position

le AC-21A	2 Pole		3 Pole + aux ¹			
16A	KH16	T902/GBC0T1 *GP2				
20A	KH20	T902/GBC0T1 *GP2				
25A	KH25	T902/GBC0T1 *GP2	KG20B	T903/GBC1U1 *GP1		
32A	KH32	T902/GBC0T1 *GP2	KG32B	T903/GBC1U1 *GP1		
40A	KH40	T902/GBC0T1 *GP2	KG41B	T903/GBC1U1 *GP1		
63A	KH63	T902/GBC0T1 *GP2	KG64B	T903/GBC1U1 *GP1		
80A	KH80	T902/GBC0T1 *GP2	KG80	T903/GBC1U1 *GP3		
100A	KH85	T902/GBC0T1 *GP2	KG100	T903/GBC1U1 *GP3		
125A			KG105	T903/GBC1U1 *GP3		
125A ³⁾			KG125	T903/GBC1T1 *GP6		
160A			KG160	T903/GBC1T1 *GP6		
200A			C200-4	T903/GBC1T1 *GP23		
315A			C316	T903/GBC1T1 *GP27		

If padlocking in "ALL POSITIONS" is required then change the 6th character of the GBC references above to "6"
For example: Part no - KH16 T902/GBC0T1 *GP2 becomes KH16 T902/GBC0T6 *GP2, pricing remains the same.

LOAD SWITCH - Changeover Switch with Centre Off - 4 Pole 32A - 315A



- IP66 protection
- black handle, padlockable in 'OFF' position
- earth terminal & lid bonding link included
- grey powder paint finish, (RAL7032) also available in red powder finish (RAL3000)
- switch interlocked with lid to prevent opening in 'ON' position

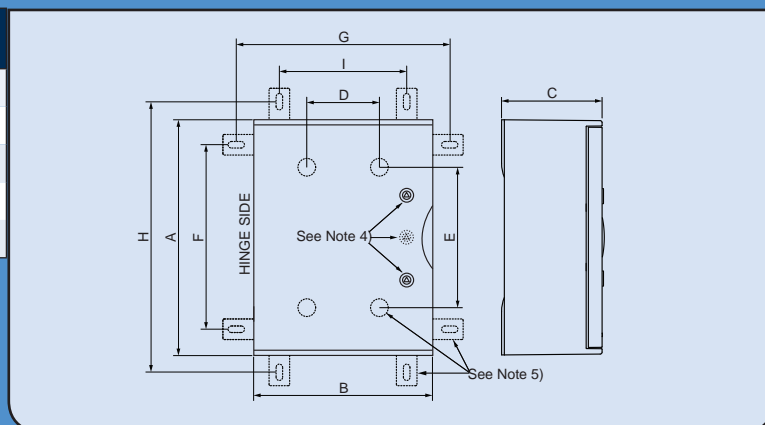
le AC-21A	Order Code No.		Encl. Ref.	
4 Pole				
32A	CA25	A213/GBA009 *MB20	MB20	
40A	C32	A213/GBA009 *MB20	MB20	
63A	C42	A213/GBA009 *MB20	MB20	
100A	C80	A213/GBA009 *MB22	MB22	
150A	C125	A213/GBA009 *MB22	MB22	
200A	C200-4	A213/GBA002 *MB10	MB10	
275A	C315	A213/GBA002 *MB10	MB10	
315A	C315	A213/GBA010 *MB29	MB29	

DIMENSIONS

Encl. Ref.	A	B	C	D	E	F	G	H	I
GP1/GP2	303	265	167	110	150	222	316	354	184
GP3	428	325	183	132	255	348	377	480	245
GP6	500	430	210	240	330	423	485	555	353
GP23	654	543	265	348	480	573	594	705	462
GP27	806	616	319	420	630	723	665	855	533

Options can include:

- terminal blocks
- push buttons & pilot lights fitted to the enclosure lid
- emergency stop push button
- key lockable door



Please refer to end of part no. for enclosure reference.
See table below:

	4 Pole (3ph + Sw N ²) + aux ¹		Ie AC-21A
			16A
			20A
KG20B	T904/GBC1U1 *GP1		25A
KG32B	T904/GBC1U1 *GP1		32A
KG41B	T904/GBC1U1 *GP1		40A
KG64B	T904/GBC1U1 *GP1		63A
KG80	T904/GBC1U1 *GP3		80A
KG100	T904/GBC1U1 *GP3		100A
KG105	T904/GBC1U1 *GP3		125A
KG125	T904/GBC1T1 *GP6		125A ³⁾
KG160	T904/GBC1T1 *GP6		160A
C200-4	T904/GBC1T1 *GP23		200A
C316	T904/GBC1T1 *GP27		315A

Notes

- 2-off electrically isolated early break auxiliary contacts are provided. One of these contacts closes in position 1 and the other contact closes in position 2. Both of the contacts are open in the OFF position.
- Switched neutral pole is early make/late break.
- KG125 suitable for applications requiring larger cable termination and increased enclosure size.
- GP1/GP2 enclosures have 1 quarter turn lock, GP3, GP6, GP23 & GP27 enclosures have 2 quarter turn locks.
- Dimensions 'D' and 'E' show the position for drilling internal fixing holes. External mounting brackets, which can be fixed either horizontally or vertically, are included with each switch.

DIMENSIONS

Encl. Ref.	Encl. Dim.				Encl. Dim.		
	H	W	D	D1	H1	W1	d
MB10	500	400	300	-	440	340	6.5
MB20	250	175	175	-	225	195	6
MB22	400	300	275	-	340	240	6.5
MB29	750	450	300	-	690	390	6.5
Encl. Ref.	Cable Entries.				Line Drg.		
MB10	2 x gland plates				Fig. 6		
MB20	-				Fig. 4		
MB22	2 x gland plates				Fig. 6		
MB29	2 x gland plates				Fig. 6		

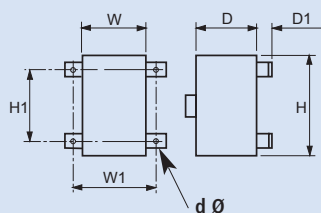


Fig. 4

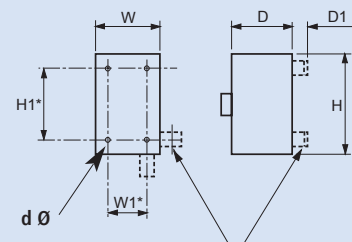


Fig. 6

EXTERNAL MTG. BKT'S - FITTED
THEY ADD 120mm TO EITHER W1
OR H1 DIMENSION & dØ - 8.5DIA

AC Switch Disconnectors - Single & Three Phase AC-21A
25 - 40A



Switch - Disconnector 3 & 4 pole.

- IP66/67 Protection
- red/yellow padlockable handle
- grey insulated enclosure (RAL7035)
- earth terminal included
- switch interlocked with lid to prevent opening in 'ON' position

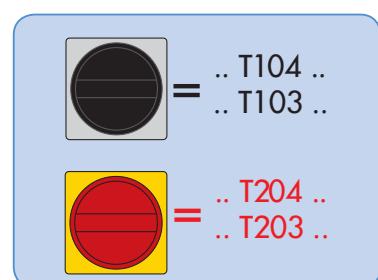
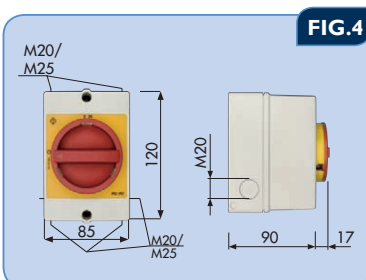
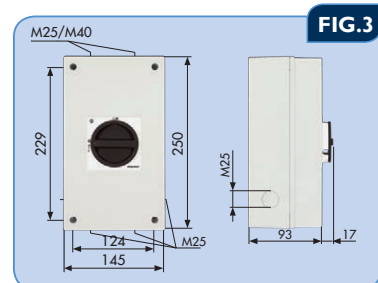
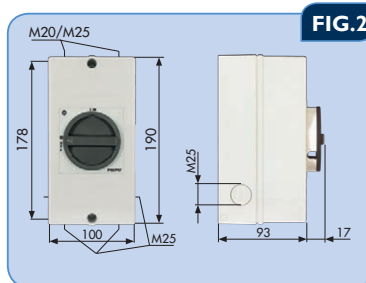
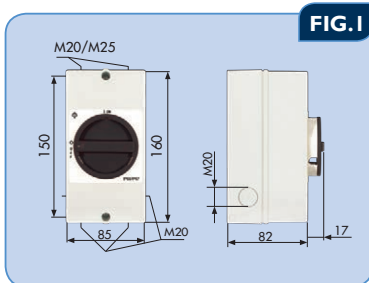
AC Switch Disconnectors - for Single Phase

Single Phase	Current Rating AC-21A (per contact)	Order Code No.	FIG.
	25A	KG20 T203/GBA270*KS1V	4
	25A	KG20 T203/GBA294*KL ¹⁾	1
	32A	KG32 T203/GBA294*KL ¹⁾	1
	40A	KG41 T203/GBA270*KL1V	2

AC Switch Disconnectors - for Three Phase (3ph + Sw N²⁾)

Three Phase	Current Rating AC-21A (per contact)	Order Code No.	FIG.
	25A	KG20 T204/GBA290*KS1V	4
	25A	KG20 T204/GBA486 KL51V ¹⁾	1
	32A	KG32 T204/GBA486 KL51V ¹⁾	1
	40A	KG41 T204/GBA290*KL1V	2

¹⁾ Larger enclosure to match KG20/32 T104 DC enclosure
²⁾ Switched neutral pole is early make / late break.



Switch - Disconnecter 2 & 4 pole.

- IP66/67 Protection
- black/grey padlockable handle
- grey insulated enclosure (RAL7035)
- switch interlocked with lid to prevent opening in 'ON' position
- class II compliant
- rated for use in ambient temperatures up to 50°C



KGD40 only:

- up to 50 amps @1000 VDC to give higher rating
- permanent magnets in the contact body used to reduce arcing time
- non-polarity sensitive

Single String DC Switch Disconnectors - Selection Chart DC-21B

	Voltage												Order Code No.	FIG.	
	250V	375V	400V	450V	500V	600V	650V	660V	750V	800V	850V	920V			1000V
Single String	25A	25A	25A	25A	21A	20A	20A	18A	18A	18A	11A	11A		KG20 T104/D-P003 KL51V	FIG 1
						25A	25A	23A	23A	23A	15A	15A	12A	KG32 T104/D-P003 KL51V	FIG 1
	50A	40A	40A	30A	30A									KGD40 TD102/D-P003 KL11V	FIG 2
		50A		40A	40A	40A	30A	30A	30A		20A	20A	20A	KGD40 TD103/D-P003 KL11V	FIG 2
			50A	50A	50A		40A	40A	40A	40A	30A	30A	30A	KGD40 TD104/D-P003 KL11V	FIG 2
						50A	50A	50A	50A		40A	40A	40A	KGD40B TD106/D-P003 KL11V	FIG 3
										50A	50A	50A	50A	KGD40B TD108/D-P003 KL11V	FIG 3

Two String DC Switch Disconnectors - Selection Chart DC-21B

	Ratings Per String (220V - 500V)											Order Code No.	FIG.
	220V	250V	280V	330V	340V	375V	400V	420V	440V	460V	500V		
Two String	25A	21A	21A	20A	20A	18A	18A	11A	11A	11A		KG20 T104/GB-P103 KL51V	FIG 1
	28A	28A	28A	25A	25A	23A	23A	15A	15A	15A	12A	KG32 T104/GB-P103 KL51V	FIG 1
	50A	50A	40A	40A	40A	40A	40A	30A	30A	30A	30A	KGD40 TD104/D-P004 KL11V	FIG 2
			50A	50A	50A	50A		40A	40A	40A	40A	KGD40B TD106/D-P004 KL11V	FIG 3
							50A	50A	50A	50A	50A	KGD40B TD108/D-P004 KL11V	FIG 3
	Ratings Per String (510V - 1000V)											Order Code No.	FIG.
	510V	560V	600V	660V	680V	690V	750V	800V	920V	1000V			
	20A	20A	20A	20A	12A	12A	12A	12A	8A	8A		KGD40 TD104/D-P004 KL11V	FIG 2
	25A	23A	23A		15A	15A						KG32B T106/GB-P103 KL11V	FIG 2
					20A	18A	18A	18A	11A			KG20B T108/GB-P103 KL11V	FIG 3
	40A	40A	40A	30A	30A	30A	30A	20A	20A	20A		KGD40B TD106/D-P004 KL11V	FIG 3
			40A	40A	40A	40A	40A	30A	30A			KGD40B TD108/D-P004 KL11V	FIG 3

Please select the switch disconnecter according to the maximum voltage and current output of all upstream PV modules, this must include all corrective factors according to relevant standards.



Emergency Stop Pushbutton Station - without protective shroud
 38mm diameter red mushroom head - twist to reset. 1 N.C. contact. Complies with EN 418/EN 60204-1.



Order Code No.	P SN-GB0001	P N261/GBA005 *SF1A	P N091/GBA023 *SB31	P N091/GBA016 *RB31	P N091/GBA017 *MB31
Encl.Ref.	P1Y	SF1A	SB31	RB31	MB31
	<ul style="list-style-type: none"> insulated enclosure IP67/69K 	<ul style="list-style-type: none"> flush mounted stainless steel 316L IP40 (IP65 achievable with sealant) galvanised back box earth stud included 	<ul style="list-style-type: none"> surface mounted stainless steel grade 316L IP66 earth terminal & lid bonding link 	<ul style="list-style-type: none"> surface mounted Red RAL3000 mild steel IP66 earth terminal & lid bonding link 	<ul style="list-style-type: none"> surface mounted Grey RAL7032 mild steel IP66 earth terminal & lid bonding link

Emergency Stop Pushbutton Station - without protective shroud
 38mm diameter red mushroom head - key operate to reset (1 key included)



Order Code No.	P SN-GB0003	P N261/GBA007 *SF1A	P N091/GBA024 *SB31	P N091/GBA018 *RB31	P N091/GBA019 *MB31
Encl.Ref.	P1Y	SF1A	SB31	RB31	MB31
	<ul style="list-style-type: none"> insulated enclosure IP66 	<ul style="list-style-type: none"> flush mounted stainless steel 316L IP40 (IP65 achievable with sealant) galvanised back box earth stud included 	<ul style="list-style-type: none"> surface mounted stainless steel grade 316L IP66 earth terminal & lid bonding link 	<ul style="list-style-type: none"> surface mounted Red RAL3000 mild steel IP66 earth terminal & lid bonding link 	<ul style="list-style-type: none"> surface mounted Grey RAL7032 mild steel IP66 earth terminal & lid bonding link

Emergency Stop Pushbutton Station - without protective shroud
 94mm diameter red mushroom head, palm/foot switch - Pull to reset.



Order Code No.	P SN-GB0024	
Encl.Ref.	P2Y	<ul style="list-style-type: none"> insulated enclosure IP67/IP69K

Take a LOOK at our FLUSH MOUNTING options

Go to page 14

- ideal for applications where hygiene is a high priority i.e. Kitchens and hospitals
- auxiliary contacts available

Emergency Stop Pushbutton Station - with protective shroud

38mm diameter red mushroom head - twist to reset. 1 N.C. contact. Complies with EN 418/EN 60204-1.



Order Code No.	P SN-GB0053	P N261/GBA010 *SF1A	P N091/GBA025 *SB31	P N091/GBA020 *RB31	P N091/GBA021 *MB31
Encl.Ref.	P1Y	SF1A	SB31	RB31	MB31
	<ul style="list-style-type: none"> insulated enclosure IP65 	<ul style="list-style-type: none"> flush mounted stainless steel 316L IP40 (IP65 achievable with sealant) galvanised back box earth stud included 	<ul style="list-style-type: none"> surface mounted stainless steel grade 316L IP65 earth terminal & lid bonding link 	<ul style="list-style-type: none"> surface mounted Red RAL3000 mild steel IP65 earth terminal & lid bonding link 	<ul style="list-style-type: none"> surface mounted Grey RAL7032 mild steel IP65 earth terminal & lid bonding link

Emergency Stop Pushbutton Station - with protective shroud

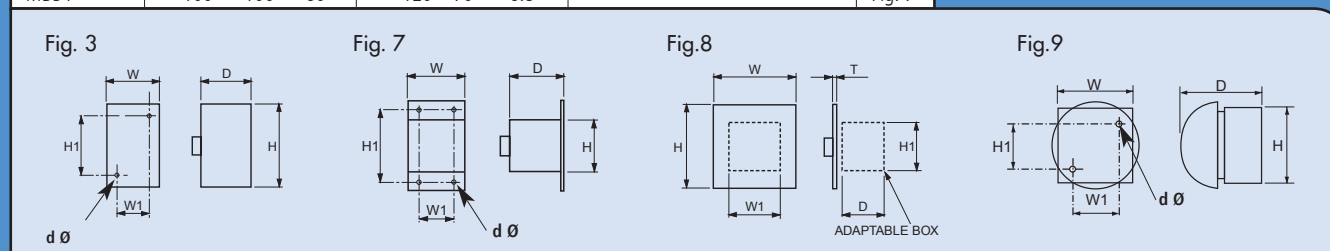
38mm diameter red mushroom head - key operate to reset (1 key included)



Order Code No.	P SN-GB0054	P N261/GBA011 *SF1A	P N091/GBA026 *SB31	P N091/GBA022 *RB31	P N091/GBA023 *MB31
Encl.Ref.	P1Y	SF1A	SB31	RB31	MB31
	<ul style="list-style-type: none"> insulated enclosure IP65 	<ul style="list-style-type: none"> flush mounted stainless steel 316L IP40 (IP65 achievable with sealant) galvanised back box earth stud included 	<ul style="list-style-type: none"> surface mounted stainless steel grade 316L IP65 earth terminal & lid bonding link 	<ul style="list-style-type: none"> surface mounted Red RAL3000 mild steel IP65 earth terminal & lid bonding link 	<ul style="list-style-type: none"> surface mounted Grey RAL7032 mild steel IP65 earth terminal & lid bonding link

DIMENSIONS

Encl. Ref.	Front Plate			Cable Entries.			Line Drg.
	H	W	D	H1	W1	D	
P1Y	80	72	56	66.5	58.5	4.5	1 x 20mm + 2 x20/25mm k'outs Fig. 3
P2Y	85	85	101	40	65	5.5	3 x 20mm k'outs Fig. 9
SF1A	100	100	2	78	78	52	8 x 20mm k'outs Fig. 8
SB31	100	100	60	120	70	6.5	- Fig. 7
RB31	100	100	60	120	70	6.5	- Fig. 7
MB31	100	100	60	120	70	6.5	- Fig. 7





Rotary Control Switch - Insulated Enclosure



Grey Enclosure IP65

			Order Code No.	Encl. Ref.
Off-On	1 pole		KN1	PF1A
Off-On	3 pole		KN3	PF1B
Changeover, without Off	1 pole		KN2	PF1A
Changeover, with Off	2 pole		KN10	PF1B

Key Operated Control Switch - Insulated Enclosure



Grey Enclosure IP40

			Order Code No.	Encl. Ref.
Notes 1) Key removable in all positions. 2) Key removable in '0' position only.				
Off-On ¹⁾	3 pole		CA10 A202/GBA003 *PN	PN1G
Off-On ¹⁾	4 pole		CA10 A203/GBA003 *PN	PN1G
Changeover, with Off ¹⁾	2 pole		CA10 A211/GBA009 *PN	PN1G
Changeover, without Off ¹⁾	2 pole		CA10 A221/GBA003 *PN	PN1G
Changeover, spring return to Off ²⁾	2 pole		CA10 A215/GBA002 *PN	PN1G
Step, 3 pos'n, without Off ¹⁾	1 pole		CA10 A230/GBA002 *PN	PN1G
Step, 4 pos'n, without Off ¹⁾	1 pole		CA10 A231/GBA004 *PN	PN1G

LOAD SWITCHES

insulated enclosure

Emergency-Off Switch - 3 & 4 Pole
25A & 32A



- grey insulated enclosure
- IP65 protection
- red/yellow padlockable handle
- earth terminal included
- suitable for safety isolation in accordance with IEC 60947-3/BS EN 60947-3

Ie AC-21A	Order Code No.	Encl. Ref.
3 pole		
25A	KN5	PF1E
32A	KN7	PF1E
4 pole (3 ph+Sw N¹⁾)		
25A	KN6	PF1E
32A	KN8	PF1E

Motor Reversing Switch
3 Phase 5.5kW @ 415v & 1 Phase 1.5kW @ 240v



- grey insulated enclosure
- IP42 protection
- grey handle/silver legend
- earth terminal included

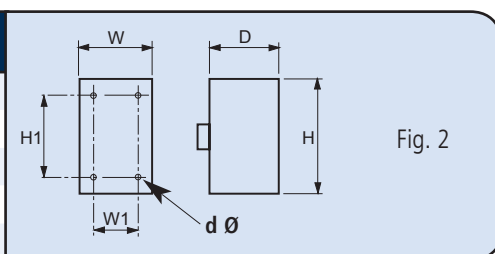
Order Code No.	Encl. Ref.
KN4	PN1C

CONNECT LINK (SUPPLIED) BETWEEN TERMINALS 1 & 5

RUN WINDING START WINDING

DIMENSIONS

Encl. Ref.	Encl. Dim.			Encl. Dim.			Cable Entries.	Line Drg.
	H	W	D	H1	W1	d		
PF1A	72	64	42	36	50	4.4	4 x 20mm ISO	Fig. 2
PF1B	72	64	51	36	50	4.4	4 x 20mm ISO	Fig. 2
PF1E	92	82	65	52	68	4.4	4 x 20mm ISO	Fig. 2
PN1C	72	64	56	36	50	4.4	4 x 20mm ISO	Fig. 2
PN1G	72	64	69	36	50	4.4	4 x 20mm ISO	Fig. 2



Switch Type	Thermal Rating	Insulation Voltage, U _i	Rated operating Current & power				Short Circuit Protection	Terminal Capacity						
			Operational current, I _e		Operational Power, 3 ph.			Max. fuse gL/gG char.	Single core/stranded wire.	Flexible wire, with sleeve.	Terminal bolt for Cu bar/lug.			
Enclosed rating I _{the}	A	V	AC-15		AC-21A	AC-3						AC-23A		
			110V	220-240V	380-415V	690V	220V-240V	380-415V	230V-240V	400-415V				
			A		kW				A	mm ²	mm ²	mm ²		
Switch-disconnectors - selection data in accordance with: IEC 60947, IEC 60204, BS EN 60947, BS EN 60204														
KG10	20	690	-	-	-	20	2.2	3.7	3	5.5	20	2.5	1.5	-
KG20	25	690	-	-	-	25	4	5.5	5.5	7.5	35	6	4	-
KG32	32	690	-	-	-	32	5.5	7.5	5.5	11	35	6	4	-
KG41	40	690	-	-	-	40	7.5	11	7.5	15	50	16	10	-
KG64	63	690	-	-	-	63	11	18.5	11	22	63	16	10	-
KG80	80	690	-	-	-	80	15	22	18.5	30	80	50	35	-
KG100	100	690	-	-	-	100	18.5	30	22	37	100	50	35	-
KG105	125	690	-	-	-	125	22	37	25	45	125	50	35	-
KG125	125	1000 ¹⁾	-	-	-	125	22	37	30	45	125	95	70	-
KG160	160	1000 ¹⁾	-	-	-	160	30	45	30	55	160	95	70	-
KG210	200	1000 ¹⁾	-	-	-	200	37	55	37	75	200	185	120	-
KG250	250	1000 ¹⁾	-	-	-	250	37	55	37	90	250	185	120	-
KG315	315	1000 ¹⁾	-	-	-	315	45	75	55	110	315	185	120	-
KH16	16	800 ¹⁾	-	-	-	16	3	5.5	4.5	7.5	25	6	4	-
KH20	20	800 ¹⁾	-	-	-	20	3.5	6.5	5.5	10	32	6	4	-
KH25	25	800 ¹⁾	-	-	-	25	4	7.5	7	12	35	6	4	-
KH32	32	800 ¹⁾	-	-	-	32	5.5	11	9	16	35	10	6	-
KH40	40	800 ¹⁾	-	-	-	40	7.5	15	11	20	50	10	6	-
KH63	63	1000 ¹⁾	-	-	-	63	11	22	18.5	30	80	35	25	-
KH80	80	1000 ¹⁾	-	-	-	80	15	30	23	40	100	35	25	-
KH85	100	1000 ¹⁾	-	-	-	100	3)	3)	3)	3)	100	35	25	-
UK20	20	690	5	5	4	20	3	5.5	3.7	7.5	25	2x2.5	2x2.5	-
UK25	25	690	8	8	5	25	4	7.5	5.5	11	35	2x4	2x2.5	-
UK32	32	690	12	12	6	32	5.5	11	7.5	15	35	2x6	2x4	-
UK250/A	250	1000	-	-	-	250	-	-	75	140	315	150		M8
UK315/A	315	1000	-	-	-	315	-	-	100	160	500	240		M10
UK400/A	400	1000	-	-	-	400	-	-	132	220	500	240		M10
UK630/A	630	1000	-	-	-	630	-	-	200	355	800	400/2x155		M12
UK800/A	800	1000	-	-	-	800	-	-	250	450	800	500/2x240		M12
UK1000/A	1000	1000	-	-	-	1000	-	-	-	560	1250	630/2x400		M12
UK1250/A	1250	1000	-	-	-	1250	-	-	-	710	1250	2x400		M12
C200-4	200	690	-	-	-	200	22	37	37	75	200	95	95	M8
C316 (6 pole) (in RB10, MB10, SB10 encl)	275	1000	-	-	-	275	37	55	75	132	315	150	150	M12
C316 (6 pole) (in RB29, MB29, SB29 encl)	315	1000	-	-	-	315	37	55	75	132	315	185	150	M12
Switch & Control Stations - selection data in accordance with: IEC 60947, BS EN 60947.														
CA10	20	690	5	5	4	20	3	5.5	3.7	7.5	25	2x2.5	2x2.5	-
CA25	32	690	12	12	6	32	5.5	11	7.5	15	35	2x6	2x4	-
C32	50	690	16	16	7	40	7.5	15	11	22	63	2x10	2x6	-
C42	63	690	-	-	-	63	11	18.5	15	30	80	2x16	2x10	-
C80	115	690	-	-	-	100	15	30	30	45	125	35	25	-
C125	150	690	-	-	-	150	22	37	37	75	200	70	50	-
C200-4	200	690	-	-	-	200	22	37	37	75	200	95	95	M8
C315 (In MB10 encl)	275	690	-	-	-	275	37	55	75	132	315	150	150	M12
C315 (In MB29 encl)	315	690	-	-	-	315	37	55	75	132	315	185	150	M12
KN1/KN2/KN3/KN10	20	690	5	5	4	20	3	5.5	3.7	7.5	25	2x2.5	2x2.5	-
KN4	20	690	-	-	-	-	3 ²⁾	5.5 ²⁾	-	-	25	2x2.5	2x2.5	-
KN5/KN6	25	690	8	8	5	25	4	7.5	5.5	11	35	2x4	2x2.5	-
KN7/KN8	32	690	14	14	6	32	5.5	11	7.5	15	50	2x6	2x4	-
P N/P SN	6	500	6	6	4	-	-	-	-	-	10	2.5	1.5	-

Notes: 1) Only valid for no-load switching (AC-20A) above 690v. 3) KH85 is only available as 2 pole changeover switch.
 2) 1 phase, 240v, rating = 1.5kW. Single phase rating @240v: AC-3 = 10kW, 62A. AC-23A = 11kW, 68A.

DEGREES OF PROTECTION

IP Codes

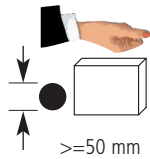
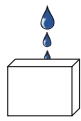
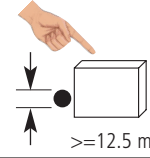
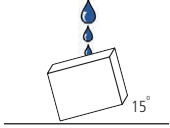
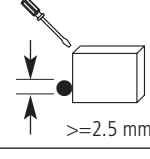
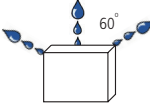
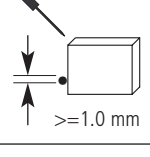
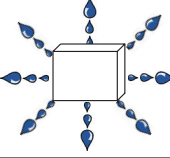
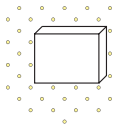
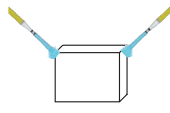
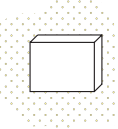
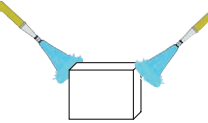
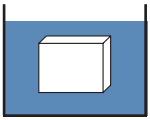
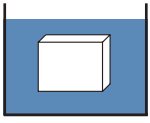
A coding system is defined by BS EN 60529 for the classification of degrees of protection provided by enclosures of electrical equipment against solid objects and water. This coding comprises the letters 'IP' followed by a two digit code as follows:-

IP 6 5

Defines protection against solid objects and access to hazardous parts.

Defines protection against water.

Degrees of protection indicated by a number up to and including '6' implies compliance with the requirements for all lower numbers. For a code with a second digit of 7 or 8, a second code must be stated to specify protection against water jets or spray, eg IP66/IP67.

1st Digit	Protection against solid objects and access to hazardous parts.	2nd Digit	Protection against water
0	No protection	0	No protection
1	 No ingress by solid objects ≥ 50 mm dia nor access to hazardous parts with the back of the hand	1	 Vertically falling drops of water shall have no harmful effect.
2	 No ingress by solid objects ≥ 12.5 mm dia nor access to hazardous parts with a finger.	2	 Vertically falling drops of water shall have no harmful effect when the enclosure is tilted at any angle up to 15° from vertical.
3	 No ingress by solid objects ≥ 2.5 mm dia nor access to hazardous parts with a tool.	3	 Water sprayed at up to 60° from the vertical shall have no harmful effect.
4	 No ingress by solid objects ≥ 1.0 mm dia nor access to hazardous parts with a wire.	4	 Water splashed from any direction shall have no harmful effect.
5	 Dust protected. Ingress of dust is not completely prevented, but there should be no harmful deposits. No access to hazardous parts with a wire.	5	 Jets of water projected from any direction shall have no harmful effect.
6	 Dust-tight. No ingress of dust. No access to hazardous parts with a wire.	6	 Strong jets of water projected from any direction shall have no harmful effect.
		7	 Temporary immersion in water shall not result in ingress of harmful quantities of water.
		8	 Continuous immersion in water shall not result in ingress of harmful quantities of water.

Reference should be made to BS EN 60529:1992 for full details concerning test and acceptance criteria.

Specification for IP69K - The IP69K rating is for applications where high pressure and high temperature washdown is used to sanitize equipment, prescribed by Germany standard DIN 40050 PART9. Products rated to IP69K must be able to withstand high-pressure and steam cleaning. • The test specifies a spray nozzle that is fed with 80 °C water at 80–100 bar (~1160-1450) and a flow rate of 14–16 L/min. • The nozzle is held 10–15 cm from the tested device at angles of 0°, 30°, 60° and 90° for 30 seconds each. • The test device sits on a turntable that rotates once every 12 seconds.

Switch-disconnectors

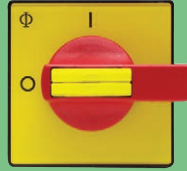
This section contains the most popular Kraus & Naimer Blue Line switch-disconnectors including our range of main/emergency-off switches, main switches and changeover switches.

The content of the catalogue has been designed for ease of use and selection; with 'one-line' product coding for ordering purposes. Please contact our Sales Team at Newbury if you would like assistance in the selection of a product or require additional information on the range of products available from Kraus & Naimer.

Contents	Page
Off - On Switch-disconnectors	
Main/Emergency-Off Switch	
Front Panel Mounting Single Hole Fixing Handle	32
Front Panel Mounting 4 Hole Fixing Handle	33
Base Mounting Single Hole Fixing Handle	34
Base Mounting 4 Hole Fixing Handle	35
Main/Emergency-Off Switch with Defeatable Door Interlock	
Base Mounting Single Hole Fixing Handle	36
Base Mounting 4 Hole Fixing Handle	37
Changeover Switch-disconnectors	
Changeover Switch with Centre Off	
Base Mounting 4 Hole Fixing Handle 2, 3 & 4 pole 16A to 160A	38
Base Mounting, suitable for 45mm distribution board cutout	38
Optional Extras	
Side Mounted Earth Terminal	39
Side Mounted Neutral Terminal	39
Side Mounted Auxiliary Contact	39
Mounting Tool	39
Terminal Covers	39
Technical Data, dimensions & general information	
Technical Data	40
Connection Diagrams	41
Dimensions	42 to 47



Main/Emergency-Off Switch - 2, 3 & 4 Pole
Front Panel Mounting Single Hole Fixing Handle 20A to 32A



- red / yellow padlockable handle
- black / silver handle available for use as main switch
- fingerproof terminals
- IP66 front protection
- variations on auxiliaries available plus add - on auxiliary blocks (see page 39)
- front plate size
-KG10A - KG32A: 48 x 48mm

Without Auxiliaries

le AC-21A	2 Pole	3 Pole	3 Pole + Solid Neutral	4 Pole (3ph + Sw N ²)
20A	KG10A T202/04 FT2	KG10A T203/04 FT2		KG10A T204/04 FT2
25A		KG20A T203/04 FT2	KG20A T207/04 FT2	KG20A T204/04 FT2
32A		KG32A T203/04 FT2	KG32A T207/04 FT2	KG32A T204/04 FT2

With Auxiliaries¹

le AC-21A	2 Pole	3 Pole	3 Pole + Solid Neutral	4 Pole (3ph + Sw N ²)
20A		KG10A T203/GBA319 FT2		KG10A T204/GBA330 FT2
25A		KG20A T203/GBA320 FT2	KG20A T207/GBA325 FT2	KG20A T204/GBA330 FT2
32A		KG32A T203/GBA320 FT2	KG32A T207/GBA325 FT2	KG32A T204/GBA330 FT2

Notes

1) The following auxiliary contacts are provided:-

KG10A 1 n.o. (early break) + 1 n.c.
KG20A, KG32A 2 n.o. (early break)

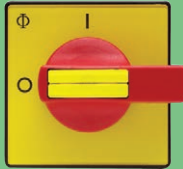
2) Switched neutral pole is early make/late break


Technical data - Page 40

Connection diagram - Page 41

Dimensions - KG - Page 42

Main/Emergency-Off Switch - 3 & 4 Pole Front Panel Mounting Four Hole Fixing Handle 20A to 315A



- red / yellow padlockable handle
 - KG10A - KG160 
 - KG210 - KG315 
- black / silver handle available
- IP66 front protection
- fingerproof terminals - KG10A - KG64B
- incoming terminal cover - KG80 to KG315 (KG210 - KG315 incl. outgoing cover)
- variations on auxiliaries available plus add - on auxiliary blocks (see page 39)
- front plate size -KG10A - KG32A: 48 x 48mm
 - KG41B - KG105: 64 x 64mm
 - KG125 - KG315: 88 x 88mm

Without Auxiliaries

le AC-21A	3 Pole		4 Pole (3ph + Sw N ³)	
20A	KG10A T203/01 E		KG10A T204/01 E	
25A	KG20A T203/01 E		KG20A T204/01 E	
32A	KG32A T203/01 E		KG32A T204/01 E	
40A	KG41B T203/GBA306 E		KG41B T204/01 E	
63A	KG64B T203/GBA306 E		KG64B T204/01 E	
80A	KG80 T203/GBA306 E		KG80 T204/01 E	
100A	KG100 T203/GBA306 E		KG100 T204/01 E	
125A	KG105 T203/GBA306 E		KG105 T204/01 E	
125A	KG125 ² T203/01 E		KG125 ² T204/01 E	
160A	KG160 T203/01 E		KG160 T204/01 E	
200A	KG210 T203/05 E		KG210 T204/05 E	
250A	KG250 T203/05 E		KG250 T204/05 E	
315A	KG315 T203/05 E		KG315 T204/05 E	

With Auxiliaries¹

le AC-21A	3 Pole		4 Pole (3ph + Sw N ³)	
20A	KG10A T203/GBA315 E		KG10A T204/GBA415 E	
25A	KG20A T203/GBA315 E		KG20A T204/GBA415 E	
32A	KG32A T203/GBA315 E		KG32A T204/GBA415 E	
40A	KG41B T203/GBA353 E		KG41B T204/GBA426 E	
63A	KG64B T203/GBA353 E		KG64B T204/GBA426 E	
80A	KG80 T203/GBA353 E		KG80 T204/GBA426 E	
100A	KG100 T203/GBA353 E		KG100 T204/GBA426 E	
125A	KG105 T203/GBA353 E		KG105 T204/GBA426 E	
125A	KG125 ² T203/GBA368 E		KG125 ² T204/GBA045 E	
160A	KG160 T203/GBA025 E		KG160 T204/GBA045 E	
200A	KG210 T203/GBA025 E		KG210 T204/GBA035 E	
250A	KG250 T203/GBA025 E		KG250 T204/GBA035 E	
315A	KG315 T203/GBA025 E		KG315 T204/GBA035 E	

Notes

1) The following auxiliary contacts are provided:-
 KG10A 1 n.o. (early break) + 1 n.c.
 KG20A to KG105 2 n.o. (early break)
 KG125 - KG315 2 n.o. auxiliary (early break) + 2 n.c.

2) Suitable for applications requiring larger cable termination

3) Switched neutral pole is early make/late break

Technical data - Page 40

Connection diagram - Page 41

Dimensions - KG - Page 42



Main/Emergency-Off Switch - 3, 4 & 6 Pole Base Mounting Single Hole Fixing Handle 20A to 125A



- red / yellow padlockable handle
- black / silver handle available for use as main switch
- door interlock
- adjustable metal operating shaft 200mm long, switches with alternate shaft lengths available
- IP66 front protection
- fingerproof terminals - KG10A to KG64B
- incoming terminal cover - KG80 to KG105
- suitable for DIN rail mounting
- variations on auxiliaries available plus add - on auxiliary blocks (see page 39)
- front plate size
 - KG10A - KG32A: 48 x 48mm
 - KG41B - KG105: 64 x 64mm

Without Auxiliaries

le AC-21A	3 Pole	3 Pole + Solid Neutral	4 Pole (3ph + Sw N ²)	6 Pole
20A	KG10A T203/GBA352 VE		KG10A T204/GBA237 VE	
25A	KG20A T203/GBA352 VE	KG20A T207/GBA220 VE	KG20A T204/GBA237 VE	KG20B T206/GBA230 VE
32A	KG32A T203/GBA352 VE	KG32A T207/GBA220 VE	KG32A T204/GBA237 VE	KG32B T206/GBA230 VE
40A	KG41B T203/GBA452 VE	KG41B T207/GBA240 VE	KG41B T204/GBA447 VE	KG41B T206/GBA410 VE
63A	KG64B T203/GBA452 VE	KG64B T207/GBA240 VE	KG64B T204/GBA447 VE	KG64B T206/GBA410 VE
80A	KG80 T203/GBA452 VE	KG80 T207/GBA240 VE	KG80 T204/GBA447 VE	KG80 T206/GBA410 VE
100A	KG100 T203/GBA452 VE	KG100 T207/GBA240 VE	KG100 T204/GBA447 VE	KG100 T206/GBA410 VE
125A	KG105 T203/GBA452 VE	KG105 T207/GBA240 VE	KG105 T204/GBA447 VE	KG105 T206/GBA410 VE

With Auxiliaries¹

le AC-21A	3 Pole	3 Pole + Solid Neutral	4 Pole (3ph + Sw N ²)	6 Pole
20A	KG10A T203/GBA372 VE		KG10A T204/GBA247 VE	
25A	KG20A T203/GBA372 VE	KG20A T207/GBA225 VE	KG20A T204/GBA247 VE	KG20B T206/GBA236 VE
32A	KG32A T203/GBA372 VE	KG32A T207/GBA225 VE	KG32A T204/GBA247 VE	KG32B T206/GBA228 VE
40A	KG41B T203/GBA462 VE	KG41B T207/GBA245 VE	KG41B T204/GBA457 VE	KG41B T206/GBA415 VE
63A	KG64B T203/GBA462 VE	KG64B T207/GBA245 VE	KG64B T204/GBA457 VE	KG64B T206/GBA415 VE
80A	KG80 T203/GBA462 VE	KG80 T207/GBA245 VE	KG80 T204/GBA457 VE	KG80 T206/GBA415 VE
100A	KG100 T203/GBA462 VE	KG100 T207/GBA245 VE	KG100 T204/GBA457 VE	KG100 T206/GBA415 VE
125A	KG105 T203/GBA462 VE	KG105 T207/GBA245 VE	KG105 T204/GBA457 VE	KG105 T206/GBA415 VE

Notes

1) The following auxiliary contacts are provided:-

KG10A 1 n.o. (early break) + 1 n.c.
 KG20A to KG105 2 n.o. (early break)

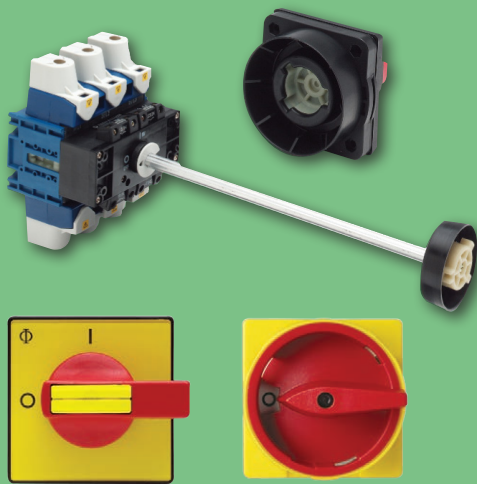
Technical data - Page 40


Connection diagram - Page 41

Dimensions - KG - Page 43

2) Switched neutral pole is early make/late break

Main/Emergency-Off Switch - 3, 4 & 6 Pole Base Mounting Four Hole Fixing Handle 20A to 315A



- red / yellow padlockable handle
 - KG10A - KG160 
 - KG210 - KG315 
- black handle available
- door interlock
- adjustable metal operating shaft 200mm long (KG125 - KG315 300mm long), switches with alternate shaft lengths available
- IP66/67 front protection
- fingerproof terminals - KG10A to KG64B
- incoming terminal cover - KG80 to KG315 (KG210 - KG315 incl. outgoing cover)
- suitable for DIN rail mounting - up to KG105
- variations on auxiliaries available plus add - on auxiliary blocks (see page 39)
- front plate size
 - KG10A - KG32A: 48 x 48mm
 - KG20B - KG105: 64 x 64mm
 - KG125 - KG315: 88 x 88mm

Without Auxiliaries

le AC-21A	3 Pole		3 Pole + Solid Neutral		4 Pole (3ph + Sw N ³)		6 Pole	
20A	KG10A T203/GBA430 VE				KG10A T204/GBA450 VE			
25A	KG20A T203/GBA430 VE		KG20A T207/GBA140 VE		KG20A T204/GBA450 VE		KG20B T206/GBA221 VE	
32A	KG32A T203/GBA430 VE		KG32A T207/GBA140 VE		KG32A T204/GBA450 VE		KG32B T206/GBA221 VE	
40A	KG41B T203/GBA430 VE		KG41B T207/GBA140 VE		KG41B T204/GBA450 VE		KG41B T206/GBA221 VE	
63A	KG64B T203/GBA430 VE		KG64B T207/GBA140 VE		KG64B T204/GBA450 VE		KG64B T206/GBA221 VE	
80A	KG80 T203/GBA430 VE		KG80 T207/GBA140 VE		KG80 T204/GBA450 VE		KG80 T206/GBA221 VE	
100A	KG100 T203/GBA430 VE		KG100 T207/GBA140 VE		KG100 T204/GBA450 VE		KG100 T206/GBA221 VE	
125A	KG105 T203/GBA430 VE		KG105 T207/GBA140 VE		KG105 T204/GBA450 VE		KG105 T206/GBA221 VE	
125A	KG125 ² T203/GBA050 VE		KG125 T207/GBA151 VE		KG125 ² T204/GBA100 VE		KG125 ² T206/GBA061 VE	
160A	KG160 T203/GBA050 VE		KG160 T207/GBA151 VE		KG160 T204/GBA100 VE		KG160 T206/GBA061 VE	
200A	KG210 T203/GBA015 VE		KG210 T207/GBA156 VE		KG210 T204/GBA020 VE			
250A	KG250 T203/GBA015 VE		KG250 T207/GBA156 VE		KG250 T204/GBA020 VE			
315A	KG315 T203/GBA015 VE		KG315 T207/GBA157 VE		KG315 T204/GBA020 VE			

With Auxiliaries¹

le AC-21A	3 Pole		3 Pole + Solid Neutral		4 Pole (3ph + Sw N ³)		6 Pole	
20A	KG10A T203/GBA435 VE				KG10A T204/GBA455 VE			
25A	KG20A T203/GBA435 VE		KG20A T207/GBA145 VE		KG20A T204/GBA455 VE		KG20B T206/GBA225 VE	
32A	KG32A T203/GBA435 VE		KG32A T207/GBA145 VE		KG32A T204/GBA455 VE		KG32B T206/GBA225 VE	
40A	KG41B T203/GBA435 VE		KG41B T207/GBA145 VE		KG41B T204/GBA455 VE		KG41B T206/GBA225 VE	
63A	KG64B T203/GBA435 VE		KG64B T207/GBA145 VE		KG64B T204/GBA455 VE		KG64B T206/GBA225 VE	
80A	KG80 T203/GBA435 VE		KG80 T207/GBA145 VE		KG80 T204/GBA455 VE		KG80 T206/GBA225 VE	
100A	KG100 T203/GBA435 VE		KG100 T207/GBA145 VE		KG100 T204/GBA455 VE		KG100 T206/GBA225 VE	
125A	KG105 T203/GBA435 VE		KG105 T207/GBA145 VE		KG105 T204/GBA455 VE		KG105 T206/GBA225 VE	
125A	KG125 ² T203/GBA055 VE		KG125 T207/GBA150 VE		KG125 ² T204/GBA105 VE		KG125 ² T206/GBA070 VE	
160A	KG160 T203/GBA055 VE		KG160 T207/GBA150 VE		KG160 T204/GBA105 VE		KG160 T206/GBA070 VE	
200A	KG210 T203/GBA030 VE		KG210 T207/GBA155 VE		KG210 T204/GBA040 VE			
250A	KG250 T203/GBA030 VE		KG250 T207/GBA155 VE		KG250 T204/GBA040 VE			
315A	KG315 T203/GBA030 VE		KG315 T207/GBA155 VE		KG315 T204/GBA040 VE			

Notes

1) The following auxiliary contacts are provided:-
 KG10A 1 n.o. (early break) + 1 n.c.
 KG20A to KG105 2 n.o. (early break)
 KG125 to KG315 2 n.o. (early break) + 2 n.c

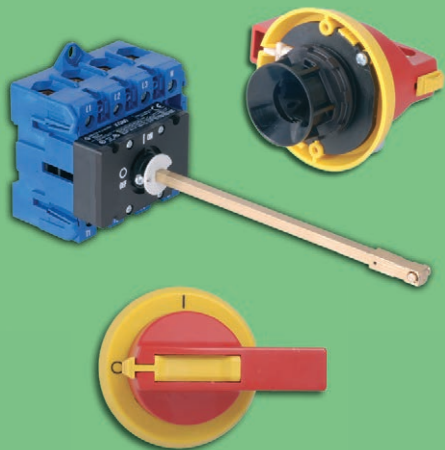
2) Suitable for applications requiring larger cable termination
 3) Switched neutral pole is early make/late break

Technical data - Page 40

Connection diagram - Page 41

Dimensions - KG - Page 43-44

Main/Emergency-Off Switch With Defeatable Door Interlock- 3 & 4 Pole Base Mounting Single Hole Fixing Handle 25A - 160A



- red / yellow padlockable handle
- black handle available for use as main switch
- IP66/67 front protection
- metal operating shaft
 - KG20B - KG105 200mm long
 - KG125 - KG160 300mm long
- switches with alternate shaft length available
- fingerproof terminals - KG20B & KG64B
- incoming terminal cover - KG80 to KG160
- suitable for DIN rail mounting up to KG105

Without Auxiliaries

le AC-21A	3 Pole	4 Pole (3ph + Sw N ²)
25A	KG20B T203/GBA340 VE	KG20B T204/GBA350 VE
32A	KG32B T203/GBA340 VE	KG32B T204/GBA350 VE
40A	KG41B T203/GBA370 VE	KG41B T204/GBA380 VE
63A	KG64B T203/GBA370 VE	KG64B T204/GBA380 VE
80A	KG80 T203/GBA370 VE	KG80 T204/GBA380 VE
100A	KG100 T203/GBA370 VE	KG100 T204/GBA380 VE
125A	KG105 T203/GBA370 VE	KG105 T204/GBA380 VE
125A	KG125 ³ T203/GBA180 VE	KG125 ³ T204/GBA190 VE
160A	KG160 T203/GBA180 VE	KG160 T204/GBA190 VE

With Auxiliaries¹

le AC-21A	3 Pole	4 Pole (3ph + Sw N ²)
25A	KG20B T203/GBA345 VE	KG20B T204/GBA355 VE
32A	KG32B T203/GBA345 VE	KG32B T204/GBA355 VE
40A	KG41B T203/GBA375 VE	KG41B T204/GBA385 VE
63A	KG64B T203/GBA375 VE	KG64B T204/GBA385 VE
80A	KG80 T203/GBA375 VE	KG80 T204/GBA385 VE
100A	KG100 T203/GBA375 VE	KG100 T204/GBA385 VE
125A	KG105 T203/GBA375 VE	KG105 T204/GBA385 VE
125A	KG125 ³ T203/GBA185 VE	KG125 ³ T204/GBA195 VE
160A	KG160 T203/GBA185 VE	KG160 T204/GBA195 VE

Note:

When required for maintenance purposes, qualified personnel can defeat the door interlock and enable the panel door to be opened whilst the switch is in the 'ON' position.

Door clutch will accept 3mm misalignment between switch shaft and door mounted handle.

In normal operation the switch handle is padlockable in the OFF position only and interlocked with the shaft in the ON position to prevent opening of the panel door. Shaft and handle are also interlocked in the OFF position if a padlock is fitted to the handle with the panel door closed.

Notes

- 1) The following auxiliary contacts are provided:-
- | | | | |
|----------------|-------------------------------|--------------------|-----------|
| KG10A | 1 n.o. (early break) + 1 n.c. | Technical data | - Page 40 |
| KG20A to KG105 | 2 n.o. (early break) | Connection diagram | - Page 41 |
| | | Dimensions - KG | - Page 43 |
- 2) Switched neutral pole is early make/late break
- 3) Suitable for applications requiring larger cable terminations

Base Mounting - Defeatable Door Interlock

Main/Emergency-Off Switch With Defeatable Door Interlock- 3 , 4 & 6 Pole Base Mounting Four Hole Fixing Handle 40A - 315A



- red / yellow padlockable handle
- black / silver handle available for use as main switch
- IP66 front protection
- metal operating shaft
 - KG41B - KG105 200mm long
 - KG125 - KG315 300mm long
- switches with alternate shaft length available
- fingerproof terminals - KG41B & KG64B
- incoming terminal cover - KG80 to KG315
(KG210 - KG315 incl. outgoing cover)
- suitable for DIN rail mounting up to KG105
- front plate size 88 x 88mm

Without Auxiliaries

le AC-21A	3 Pole	4 Pole (3ph + Sw N ²)	6 Pole
40A	KG41B T203/GBA330 VE	KG41B T204/GBA060 VE	KG41B T206/GBA121 VE
63A	KG64B T203/GBA330 VE	KG64B T204/GBA060 VE	KG64B T106/GBA121 VE
80A	KG80 T203/GBA330 VE	KG80 T204/GBA060 VE	KG80 T206/GBA121 VE
100A	KG100 T203/GBA330 VE	KG100 T204/GBA060 VE	KG100 T206/GBA121 VE
125A	KG105 T203/GBA330 VE	KG105 T204/GBA060 VE	KG105 T206/GBA121 VE
125A	KG125 T203/GBA080 VE	KG125 T204/GBA090 VE	KG125 T206/GBA104 VE
160A	KG160 T203/GBA080 VE	KG160 T204/GBA090 VE	KG160 T206/GBA104 VE
200A	KG210 T203/GBA080 VE	KG210 T204/GBA090 VE	
250A	KG250 T203/GBA080 VE	KG250 T204/GBA090 VE	
315A	KG315 T203/GBA080 VE	KG315 T204/GBA090 VE	

With Auxiliaries¹

le AC-21A	3 Pole	4 Pole (3ph + Sw N ¹)	6 Pole
40A	KG41B T203/GBA335 VE	KG41B T204/GBA065 VE	KG41B T206/GBA125 VE
63A	KG64B T203/GBA335 VE	KG64B T204/GBA065 VE	KG64B T206/GBA125 VE
80A	KG80 T203/GBA335 VE	KG80 T204/GBA065 VE	KG80 T206/GBA125 VE
100A	KG100 T203/GBA335 VE	KG100 T204/GBA065 VE	KG100 T206/GBA125 VE
125A	KG105 T203/GBA335 VE	KG105 T204/GBA065 VE	KG105 T206/GBA125 VE
125A	KG125 ² T203/GBA085 VE	KG125 T204/GBA095 VE	KG125 T206/GBA105 VE
160A	KG160 T203/GBA085 VE	KG160 T204/GBA095 VE	KG160 T206/GBA105 VE
200A	KG210 T203/GBA085 VE	KG210 T204/GBA095 VE	
250A	KG250 T203/GBA085 VE	KG250 T204/GBA095 VE	
315A	KG315 T203/GBA085 VE	KG315 T204/GBA095 VE	

Note:

When required for maintenance purposes, qualified personnel can use the simple tool provided to defeat the door interlock and enable the panel door to be opened whilst the switch is in the 'ON' position.

Door clutch will accept 5mm misalignment between switch shaft and door mounted handle.

In normal operation the switch handle is padlockable in the OFF position only and interlocked with the shaft in the ON position to prevent opening of the panel door. Shaft and handle are also interlocked in the OFF position if a padlock is fitted to the handle with the panel door closed.

Notes

1) The following auxiliary contacts are provided:- Technical data - Page 40

KG10A 1 n.o. (early break) + 1 n.c. Connection diagram - Page 41

KG20A to KG105 2 n.o. (early break) Dimensions - KG - Page 43

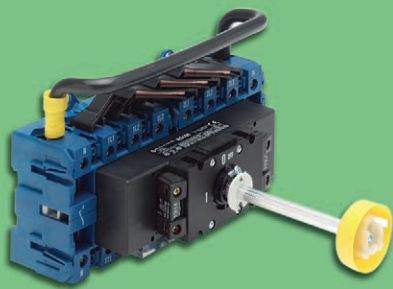
KG125 to KG 315 2 n.o. (early break) + 2 n.c.

2) Switched neutral pole is early make/late break

3) Suitable for applications requiring larger cable terminations



Changeover Switch, Centre Off - 2, 3 & 4 pole Base Mounting 4 Hole Fixing Handle



- black / silver padlockable handle
- door interlock
- IP66/67 front protection
- metal operating shaft
- 120mm Long KH16 to KH25, KG20B & KG32B
- 130mm Long KH32 to KH85, KG41B to KG105
- 190mm long KG125 & KG160
- switches with alternate shaft lengths available.
- fingerproof terminals – KG20B to KG64B
– KH16 to KH40
- suitable for DIN rail mounting up to KG105 and all KH switches
- front plate size

KH16 - KH85: 64 x 64mm
 KG20B - KG64B: 64 x 64mm
 KG80 - KG160 88 x 88mm

le AC-21A	2 Pole	3 Pole + aux ¹⁾	4 Pole (3ph + Sw N ²⁾ + aux ¹⁾
16A	KH16 T902/GBA005 VE		
20A	KH20 T902/GBA005 VE		
25A	KH25 T902/GBA005 VE	KG20B T903/GBA005 VE	KG20B T904/GBA006 VE
32A	KH32 T902/GBA005 VE	KG32B T903/GBA005 VE	KG32B T904/GBA006 VE
40A	KH40 T902/GBA005 VE	KG41B T903/GBA005 VE	KG41B T904/GBA006 VE
63A	KH63 T902/GBA005 VE	KG64B T903/GBA005 VE	KG64B T904/GBA006 VE
80A	KH80 T902/GBA005 VE	KG80 T903/GBA005 VE	KG80 T904/GBA006 VE
100A	KH85 T902/GBA005 VE	KG100 T903/GBA005 VE	KG100 T904/GBA006 VE
125A		KG105 T903/GBA005 VE	KG105 T904/GBA006 VE
125A		KG125 ³⁾ T903/GBA010 VE	KG125 T904/GBA020 VE
160A		KG160 T903/GBA010 VE	KG160 T904/GBA020 VE

Notes

1) 2-off volt-free, early break, auxiliary contacts are provided. One of these contacts closes in position 1 and the other contact closes in position 2.

Both of the contacts are open in the Off position.

2) Switched neutral pole is early make/late break

3) Suitable for applications requiring larger cable termination

Technical data - Page 40

Connection diagram - Page 41

Dimensions – KG - Page 45

– KH - page 47

Changeover Switch, Centre Off 2 & 4 pole - Base Mounting



- grey handle, padlockable in OFF position
- grey escutcheon plate with "1 - OFF - 2" Legend
- escutcheon suitable for 45mm cut out
- fingerproof terminals – KG41B & KG64B
– KH16 to KH40
- suitable for DIN rail mounting

le AC-21A	2 Pole	4 Pole (3ph + Sw N ¹⁾)
16A	KH16 T902/GBA011 VE2	
20A	KH20 T902/GBA011 VE2	
25A	KH25 T902/GBA011 VE2	
32A	KH32 T902/GBA011 VE2	
40A	KH40 T902/GBA011 VE2	KG41B T904/GBA035 VE2
63A	KH63 T902/GBA011 VE2	KG64B T904/GBA035 VE2
80A	KH80 T902/GBA011 VE2	KG80 T904/GBA035 VE2
100A	KH85 T902/GBA011 VE2	KG100 T904/GBA035 VE2
125A		KG105 T904/GBA035 VE2

Notes

1) Switched neutral pole is early make/late break.

Technical data - Page 40

Connection diagram - Page 41

Dimensions – KG - Page 46

– KH - page 47

Side Mounted Earth Terminal



Switch Type	Code Number	
KG20A, KG32A, KG20B, KG32B	K0 H052/A	
KG41B,KG64B	K1 H052/B	
KG80-KG105	K2 H052/C	

Side Mounted Neutral Terminal (Fully Rated)



Switch Type	Code Number	
KG20A, KG32A, KG20B, KG32B	K0 H053/A	
KG41B,KG64B	K1 H053/B	
KG80-KG105	K2 H053/C	

Side Mounted Auxiliary Contacts



KG switches are also available with a variety of factory fitted auxiliary contacts. Please enquire for details

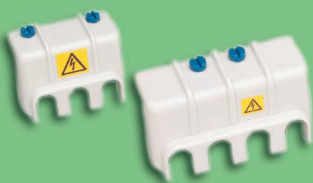
Switch Type	Contact Arrangements	Contact Rating		Code Number	
		AC-21A	AC-15 @ 110-240V		
Panel Mounting E					
KG20A,KG32A	1 n.o. + 1 n.c.	10A	2.5A	K0 H010/A11-E	
KG41B,KG64B	1 n.o. + 1 n.c.	16A	6A	K1 H010/A11-E	
KG80-KG105	1 n.o. + 1 n.c.	16A	6A	K2 H010/A11-E	
KG125,KG160	2 n.o. + 1 n.c.	16A	6A	K3A H010/A21-E	
KG210-KG315	2 n.o. + 1 n.c.	16A	6A	K3 H010/A21-E	
Panel Mounting VE					
KG20B,KG32B	1 n.o. + 1 n.c.	10A	2.5A	K0 H010/A11-VE	
KG41B,KG64B	1 n.o. + 1 n.c.	16A	6A	K1 H010/A11-VE	
KG80-KG105	1 n.o. + 1 n.c.	16A	6A	K2 H010/A11-VE	
KG125-KG160	2 n.o. + 1 n.c.	16A	6A	K3A H010/A21-VE	
KG210-KG315	2 n.o. + 1 n.c.	16A	6A	K3 H010/A21-VE	

Mounting Tool



Switch Type	Code Number	
For single hole mounting operators	S00 T170 09	

Terminal Covers



Switch Type	3 main terminals		4 main terminals	
	Code number		Code number	
KG10A	S0 M160/A12 K2		S0 M160/A12 K2	
KG20A&B/KG32A&B	K0 M160/3		K0 M160/4	
KG41B/KG64B	K1 M160/3		K1 M160/4	
KG80/KG105	K2 M160/3		K2 M160/4	
KG125/KG160	K3 M160/32		K3 M160/42	
KG210/KG315	K3 M160/30		K3 M160/40	
KH32/KH40			K1 M160/45 VE ¹⁾	
KH63/KH85			K1 M160/44 VE ¹⁾	

Notes

1) Suffix VE is applicable for base mounting switches only



Switch - Disconnectors

Switch Type	Thermal Rating	Insulation Voltage, U _i	Rated Operating Current & Power								Short Circuit Protection	Terminal Capacity				
			Operational Current, I _e				Operational Power					Max. fuse gL/gG char.	Single core/ stranded wire.	Flexible wire, with sleeve.	Terminal bolt for Cu bar/lug.	
Open rating			AC-15		AC-21A	AC-3		AC-23A		A	mm ²					mm ²
A	V		110v	220-240v	380-415v	690v	220-240v, 1 ph.	220-240v	380-415v	220-240v, 1 ph.	220-240v	380-415v				
Switch-disconnectors - selection data in accordance with: IEC 60947, IEC 60204, BS EN 60947, BS EN 60204																
KG10	20	690	-	-	-	20	1.1	2.2	3.7	1.5	3	5.5	20	2.5	1.5	-
KG20	25	690	-	-	-	25	1.5	4	5.5	2.2	5.5	7.5	35	6	4	-
KG32	32	690	-	-	-	32	2.2	5.5	7.5	3	5.5	11	35	6	4	-
KG41	40	690	-	-	-	40	3	7.5	11	4	7.5	15	50	16	10	-
KG64	63	690	-	-	-	63	4	11	18.5	5.5	11	22	63	16	10	-
KG80	80	690	-	-	-	80	7.5	15	22	10	18.5	30	80	50	35	-
KG100	100	690	-	-	-	100	8.5	18.5	30	11	22	37	100	50	35	-
KG105	125	690	-	-	-	125	-	22	37	-	25	45	125	50	35	-
KG125	125	1000 ¹⁾	-	-	-	125	-	22	37	-	30	45	125	95	70	-
KG160	160	1000 ¹⁾	-	-	-	160	-	30	45	-	30	55	160	95	70	-
KG210	200	1000 ¹⁾	-	-	-	200	-	37	55	-	37	75	200	185	120	-
KG250	250	1000 ¹⁾	-	-	-	250	-	37	55	-	37	90	250	185	120	-
KG315	315	1000 ¹⁾	-	-	-	315	-	45	75	-	55	110	315	185	120	-
KH16	16	800 ¹⁾	-	-	-	16	1.5	3	5.5	2	4.5	7.5	25	6	4	-
KH20	20	800 ¹⁾	-	-	-	20	2	3.5	6.5	2.5	5.5	10	32	6	4	-
KH25	25	800 ¹⁾	-	-	-	25	2.5	4	7.5	3.3	7	12	35	6	4	-
KH32	32	800 ¹⁾	-	-	-	32	3	5.5	11	4.2	9	16	35	10	6	-
KH40	40	800 ¹⁾	-	-	-	40	4.5	7.5	15	5.5	11	20	50	10	6	-
KH63	63	1000 ¹⁾	-	-	-	63	7.5	11	22	8.5	18.5	30	80	35	25	-
KH80	80	1000 ¹⁾	-	-	-	80	10	15	30	11	23	40	100	35	25	-
KH85	100	1000 ¹⁾	-	-	-	100	10	-	-	11	-	-	100	35	25	-
Auxiliary contacts - selection data in accordance with: IEC 60947, BS EN 60947.																
KG10	20	690	6	6	4	20	-	-	-	-	-	-	20	2.5	2.5	-
KG20 & KG32	10	500	2.5	2.5	1.5	10 ²⁾	-	-	-	-	-	-	10	1.5	1.5	-
KG41 - KG105	16	690	6	6	3	16	-	-	-	-	-	-	16	2.5	2.5	-
KG125 - KG315	16	690	6	6	3	16	-	-	-	-	-	-	16	2.5	2.5	-

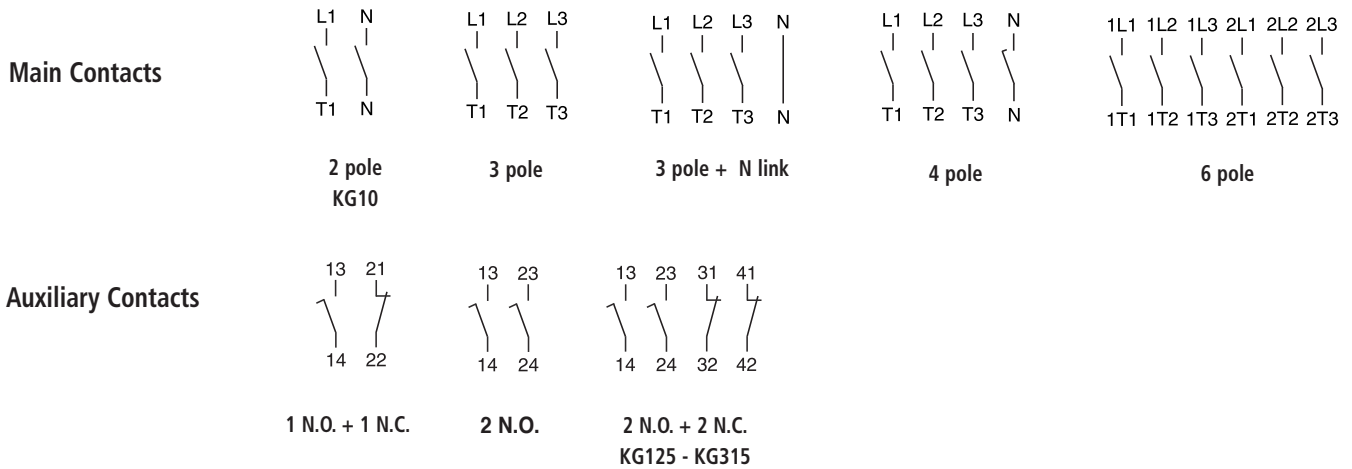
Switch Selection – Common Rating Data and Utilization Categories

Switch Rating or Utilization Category	Description
Rated insulation voltage, U _i	Maximum value of operational voltage
Thermal current, I _{th}	Maximum value of current that the switch can carry (not switch) when mounted in free air Max. ambient air temperature for stated value:- KG/KH switches : +50°C average over 24 hours with peaks up to 55°C
AC-3	For the selection of switches used for starting of squirrel cage motors and switching off during running
AC-15	For selection of switches to be used for the control of an a.c. electromagnetic load, e.g. contactor coils
AC-21A	For selection of switches required for switching of resistive loads, including moderate overloads
AC-23A	For selection of switches required for switching motor loads or other highly inductive loads
	Normal selection criteria for emergency-off switches for motors and switches used for safety isolation of motors (switch-disconnectors) such as Off/On, main or main/emergency-off switches.

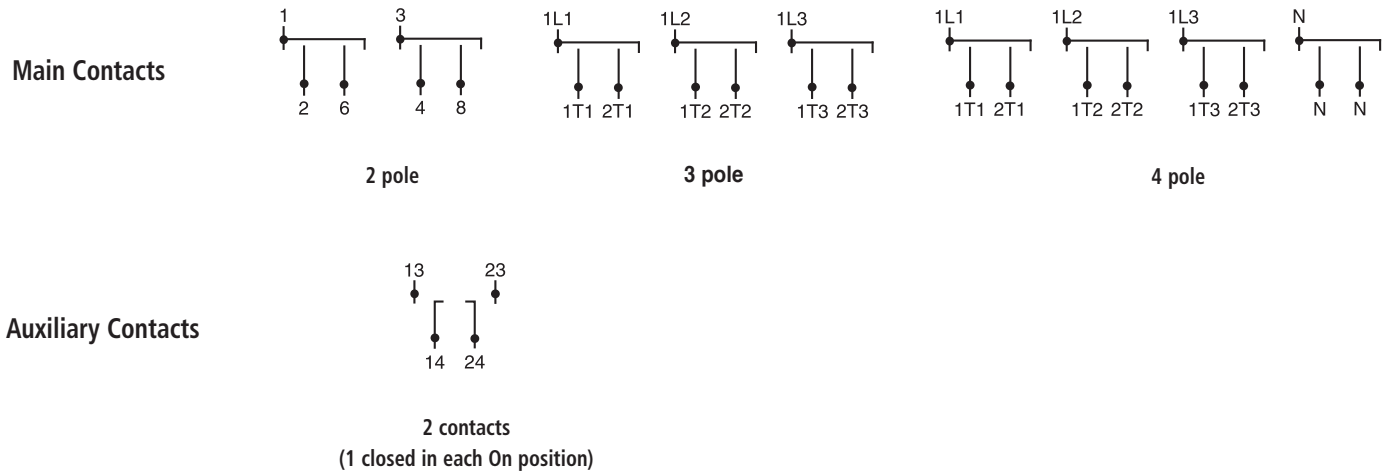
Notes: 1) Only valid for no-load switching (AC-20A) above 690v.
2) Max 500v

Switch - Disconnectors

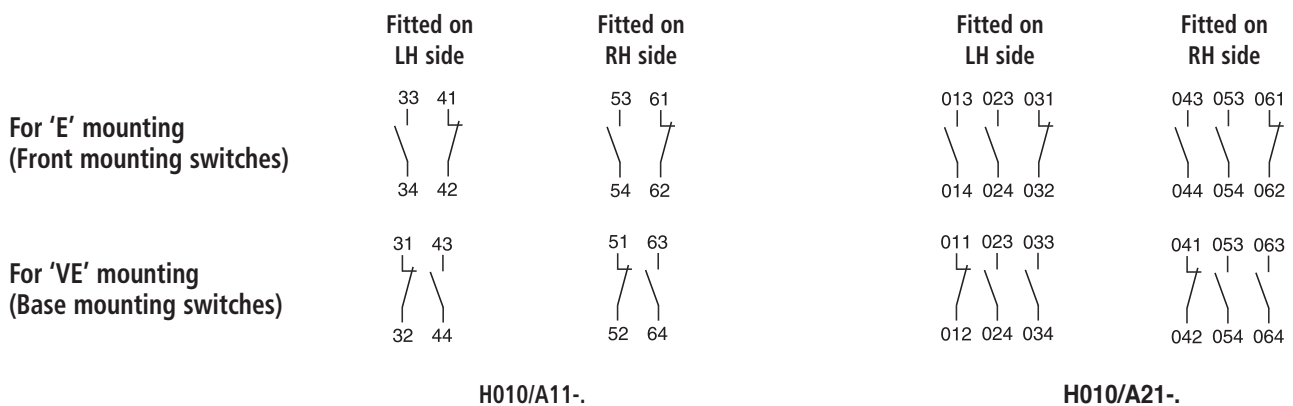
Off - On



Changeover with Centre Off



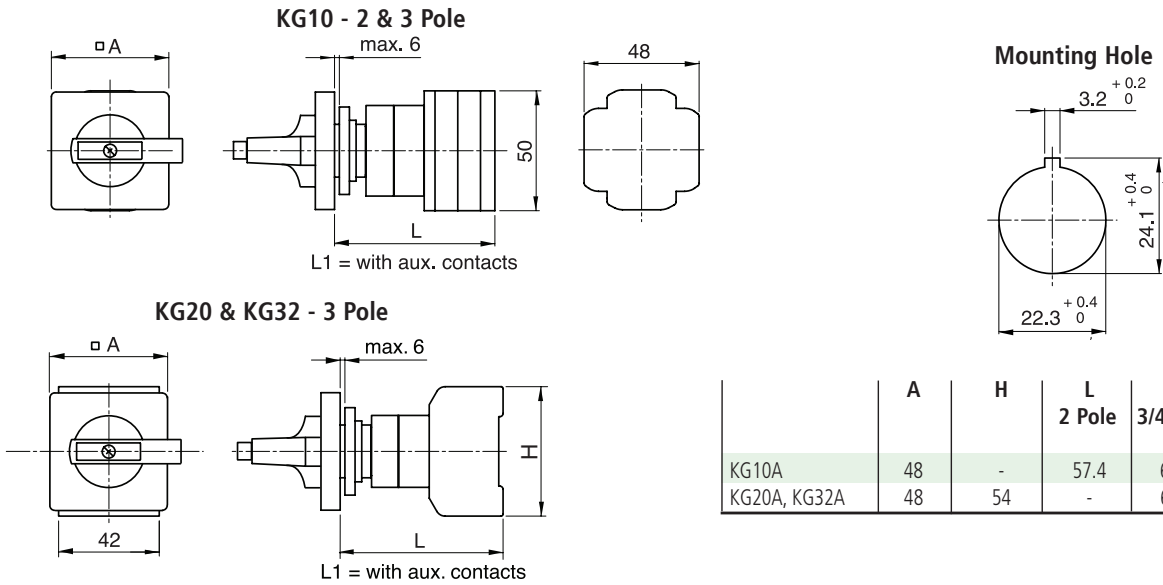
Side Mounting Auxiliary Contacts



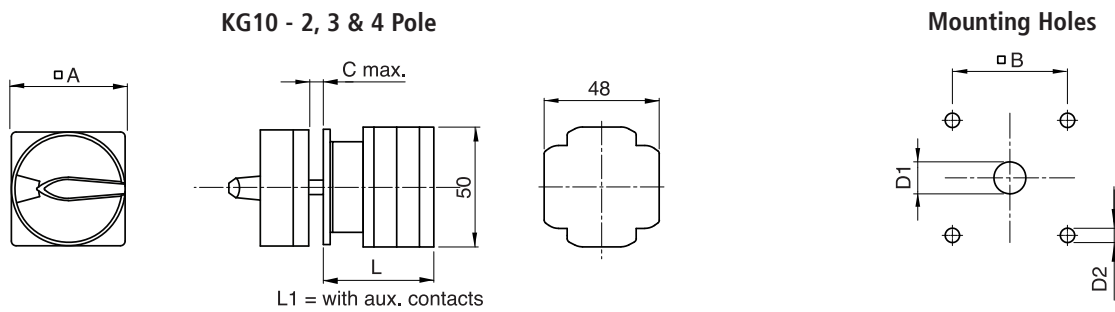


KG Main / Emergency-Off Switches

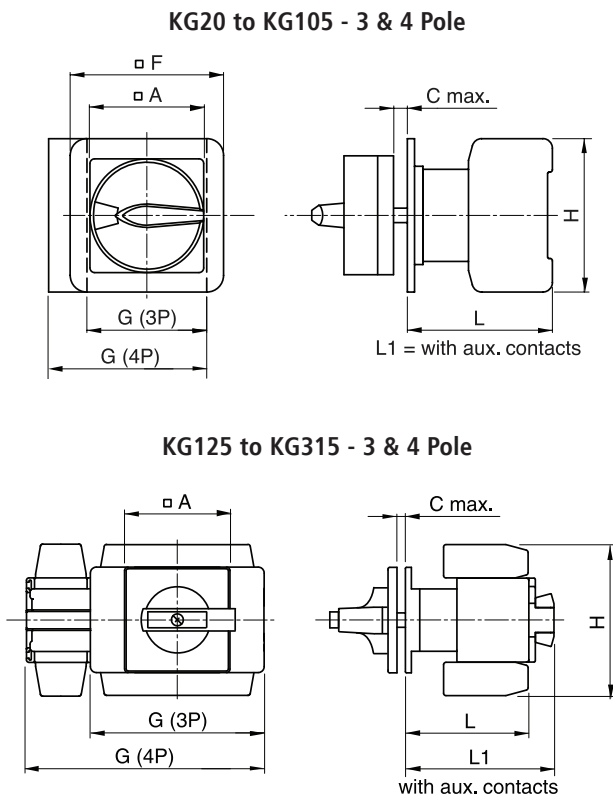
Front Panel Mounting - Single Hole Fixing



Front Panel Mounting - 4 Hole Fixing



	A	B	C	D1	D2	F
KG10A	48	36	4	11 - 15	5	-
KG20A, KG32A	48	36	4	10 - 15	5	48
KG41B, KG64B	64	48	4	10 - 15	5	64
KG80, KG100, KG105	64	48	4	10 - 15	5	70
KG125, KG160	88	68	5.5	13 - 17	6	-
KG210, KG250, KG315	88	68	5.5	13 - 17	6	-



	G 3 Pole	G 4 Pole	H	L	L1
KG10A - 2 pole	-	-	-	38.7	-
KG10A - 3/4 pole	-	-	-	48.2	57.7
KG20A, KG32A	42	55.5	54	53.8	62.8
KG41B, KG64B	50	66	64	60.5	70.5
KG80, KG100	70	92	80	70.6	80.6
KG105	70	92	80	70.6	80.6
KG125, KG160	112	150	108	96	117
KG210, KG250, KG315	145	197.5	126	103	124

'H' dimension does not include the terminal covers. To obtain the dimension across the terminal cover(s) add the following to dimension 'H'.

KG80/100/105: add 26 mm on side that cover is fitted.

KG125/160: add 22.5 mm on side that cover is fitted

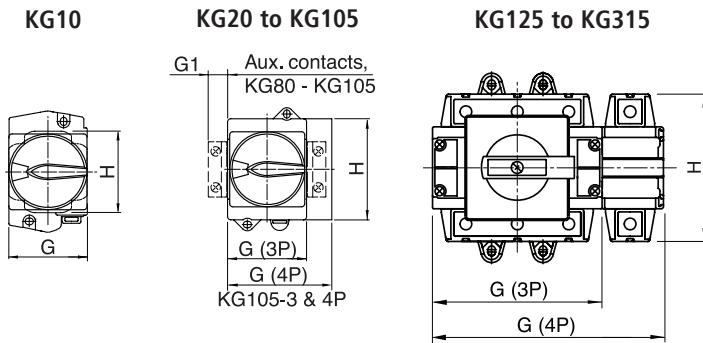
KG210/250/315: add 50 mm to 'H' dimension

Factory fitted auxiliary contacts are integral with the main switch body – they are not side mounting type.

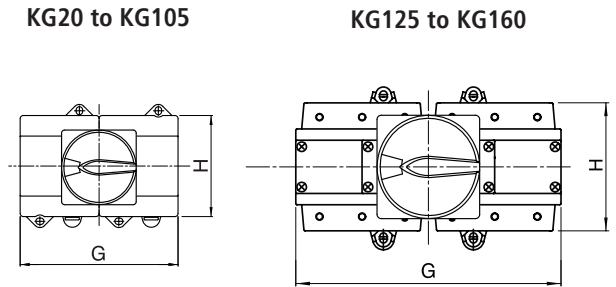
KG Main / Emergency-Off Switches

Base Mounting with Door Interlock

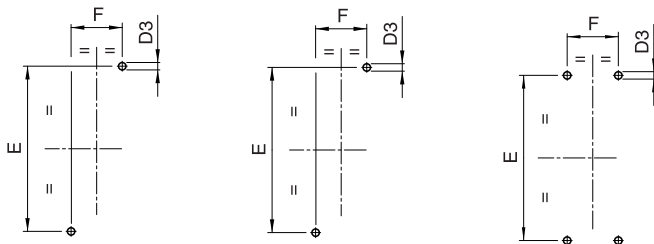
3, 3 + N & 4 Pole - plan view



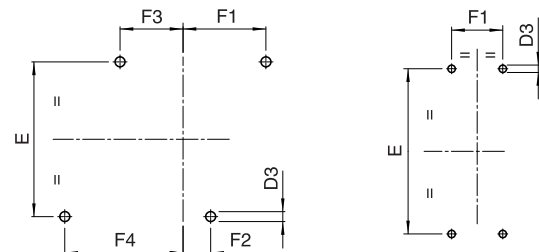
6 Pole - plan view



Base Mounting Holes



Base Mounting Holes



	D3	E	F	F1	F2	F3	F4	G 3 Pole	G 3 Pole+N	G 4 Pole	G 6 Pole	G1	H
KG10A & B	5	60	22	-	-	-	-	48	-	48	-	-	50
KG20A & B, KG32A & B	5	60	22	32	10	10	32	42	55.5	55.5	84	-	54
KG41B, KG64B	5	70	25	37.5	12.5	12.5	37.5	50	66	66	100	-	64
KG80, KG100	6	90	25	47.5	22.5	22.5	47.5	70	92	92	140	12.2	80
KG105	6	90	25	-	-	-	-	70	92	92	140	12.2	80
KG125, KG160	6.4	120	36	76	-	-	-	112	-	150	224	-	108
KG210, KG250, KG315	6.4	142	44	-	-	-	-	145	-	197.5	-	-	126

'H' dimension does not include the terminal covers. To obtain the dimension across the terminal cover(s) add the following to dimension 'H'.

KG80/100/105: add 26 mm on side that cover is fitted.

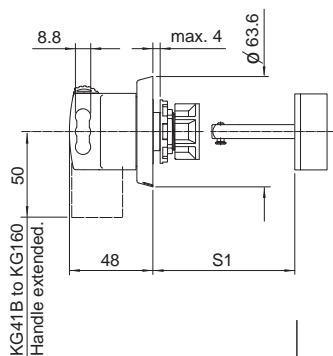
KG125/160: add 22.5 mm on side that cover is fitted

KG210/250/315: add 50 mm to 'H' dimension

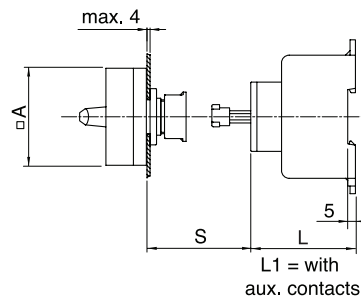
Factory fitted auxiliary contacts are integral with the main switch body – they are not side mounting type.

Note: Handle styles vary - see relevant catalogue section for handle style used.

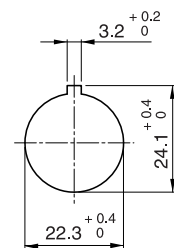
Defeatable Door Interlock, Single Hole Fixing. 3 & 4 Pole Switches



Door Interlock, Single Hole Fixing. 3, 3+N, 4 & 6 Pole KG10 to KG105



Handle Mounting Hole

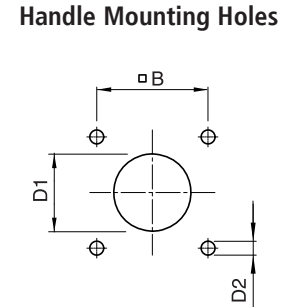
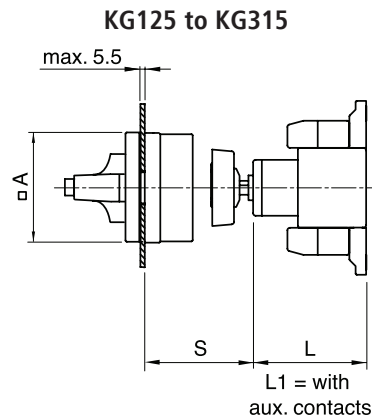
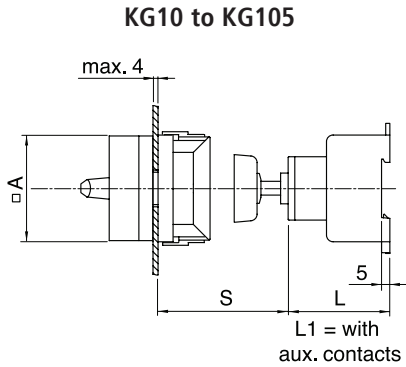


	A	L 3/4 Pole	L1 3/4 Pole	S	S1 3/4 pole	L 6 Pole	L1 6 Pole	S 6 Pole
KG10A	48	49.2	58.7	31-191	-	-	-	-
KG20A, KG32A	48	50	59	31-196	-	-	-	-
KG20B, KG32B	64	50	59	-	47-202mm	57.5	66.5	31-199
KG41B, KG64B	64	61	71	31-192	31-202mm	67	77	31-193
KG80, KG100, KG105	64	68	78	32-189	32-202mm	79.2	89.2	32-189
KG125, KG160	-	91	91	-	34-263mm	-	-	-

KG Main / Emergency-Off Switches

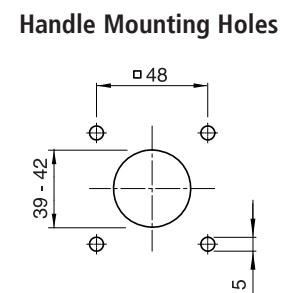
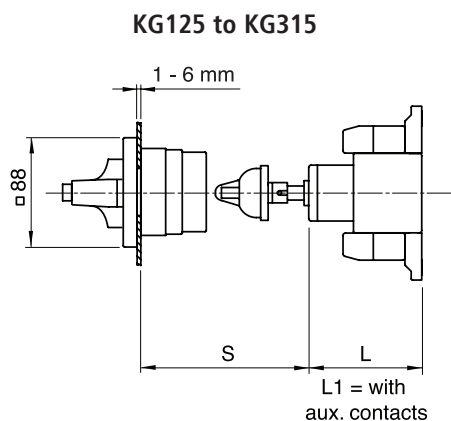
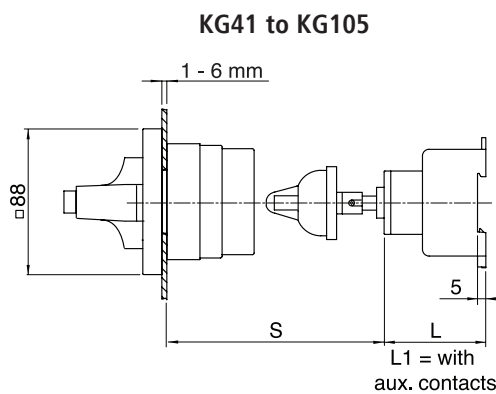
Base Mounting with Door Interlock, Continued

Door Interlock, 4 Hole Fixing. 3, 4 & 6 Pole Switches - side view.



	Shaft Length	A	B	D1	D2	3/4 Pole & 3 Pole + N			6 Pole		
						L	L1	S	L	L1	S
KG10A	200	48	36	18-22	5	49.2	58.7	37-197	-	-	-
KG20A, KG32A	200	48	36	18-22	5	50	59	37-202	-	-	-
KG20B, KG32B	200	64	48	19-22	5	-	-	-	57.5	66.5	37-205
KG41B, KG64B	200	64	48	19-22	5	61	71	35-200	67	77	35-201
KG80, KG100, KG105	200	64	48	19-22	5	68	78	36-197	79.2	89.2	36-197
KG125, KG160	300	88	68	26-30	6	91	91	45-306	93	93	45-306
KG210, KG250, KG315	300	88	68	26-30	6	98	98	45-306	-	-	-

Defeatable Door Interlock, 4 Hole Fixing. 3, 4 & 6 Pole Switches - side view.



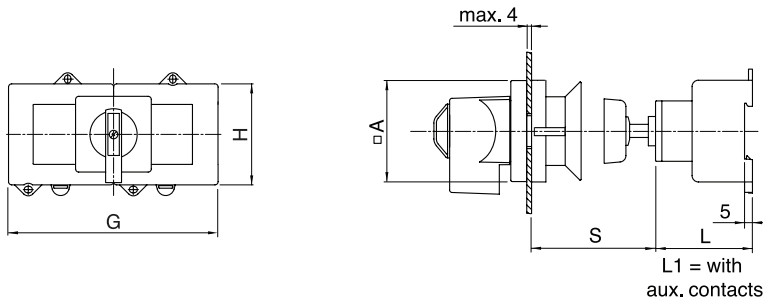
	L 3/4 Pole	L1 3/4 Pole	S 3/4 Pole	L 6 Pole	L1 6 Pole	S 6 Pole
KG41B, KG64B	61	71	72-224	67	77	72-225
KG80, KG100, KG105	68	78	73-221	79.2	89.2	73-221
KG125, KG160	91	91	83-336	93	93	83-336
KG210, KG250, KG315	98	98	83-336	-	-	-



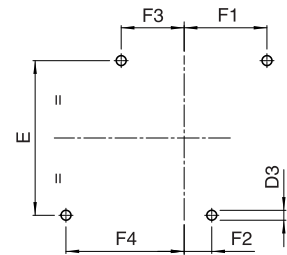
KG Changeover Switches

Base Mounting with Door Interlock, 4 Hole Fixing

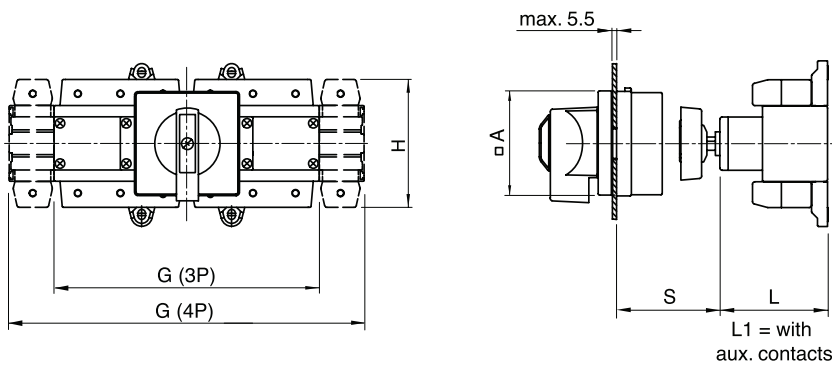
KG20 to KG105 - 3 & 4 Pole



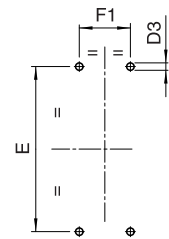
Base Mounting Holes



KG125 to KG160 - 3 & 4 Pole

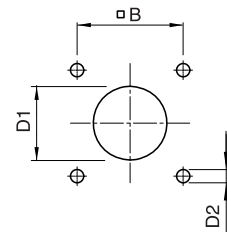


Base Mounting Holes



	A	B	D1	D2	D3	E	F1	F2	F3 3 Pole
KG20B, KG32B	64	48	19 - 22	5	5	60	32	10	10
KG41B, KG64B	64	48	19 - 22	5	5	70	37.5	12.5	12.5
KG80, KG100	88	48	19 - 22	5	6	90	47.5	22.5	22.5
KG105	88	48	19 - 22	5	6	90	47.5	22.5	-
KG125, KG160	88	68	26 - 30	6	6.4	120	76	-	-

Handle Mounting Holes



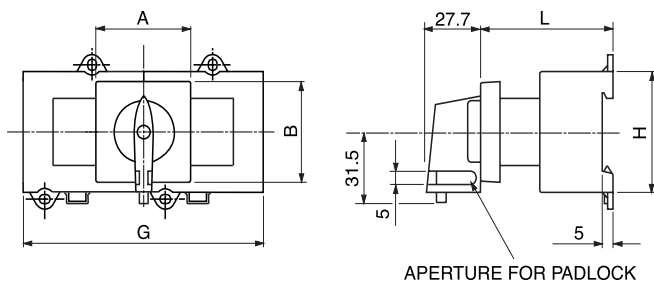
	F4 3 Pole	F3 4 Pole	F4 4 Pole	G 3 Pole	G 4 Pole	H	L	L1	S
KG20B, KG32B	32	23.5	45.5	84	111	54	57.5	66.5	37-125
KG41B, KG64B	37.5	28.5	53.5	100	132	64	67	77	35-131
KG80, KG100	47.5	44.5	69.5	140	184	80	79.2	89.2	36-127
KG105	-	44.5	69.5	140	184	80	79.2	89.2	36-127
KG125, KG160	-	-	-	224	300	108	93	93	45-196

Factory fitted auxiliary contacts are integral with the main switch body – they are not side mounting type.

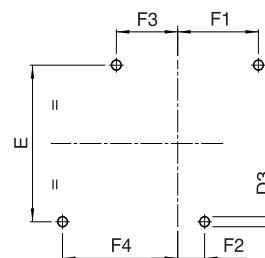
KG Changeover Switches

Base Mounting - For 45 mm Installation Cut - Out

KG41 to KG105 - 4 Pole



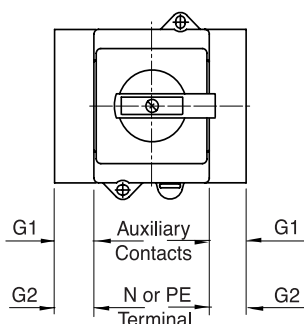
Mounting Holes



	A	B	D3	E	F1	F2	F3	F4	G	H	L
KG41B, KG64B	105.4	45.4	5	70	37.5	12.5	28.5	53.5	132	64	67.5
KG80, KG100, KG105	70	45	6	90	47.5	22.5	44.5	69.5	184	80	81.2

KG Switch Options

Side Mounting Modules

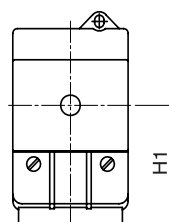


	G1	G2
KG20A & B, KG32A & B	10	13.5
KG41B, KG64B	11	16
KG80, KG100, KG105	11	22
KG125, KG160	14	38
KG210, KG250, KG315	14	52.5

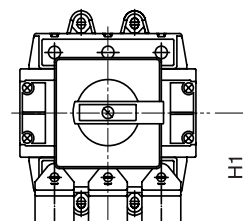
Note:
KG125 to KG315 4 pole switches cannot have additional modules fitted on the side adjacent to the 4th pole (switched neutral).

Terminal Covers

KG10 to KG105



KG125 to KG315



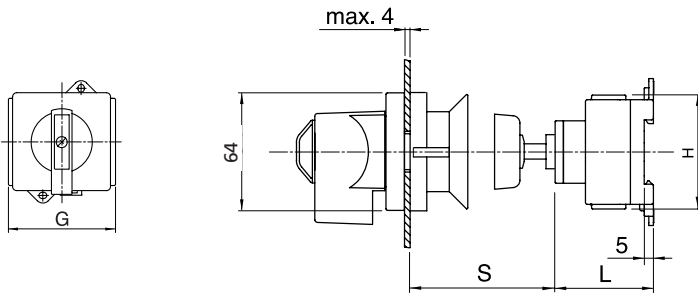
	H1
KG10A & B	32
KG20A & B, KG32A & B	47
KG41B, KG64B	49
KG80, KG100, KG105	66
KG125, KG160	76.2
KG210, KG250, KG315	88



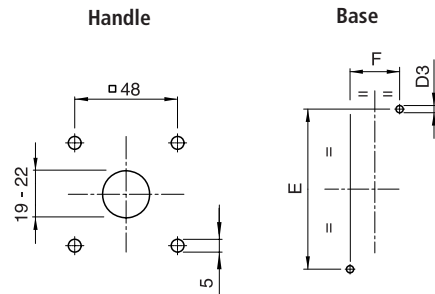
KH Changeover Switches

Base Mounting With Door Interlock, 4 Hole Fixing

KH16 to KH85 - 2 Pole



Mounting Holes

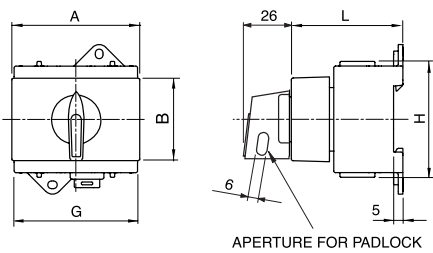


'H' dimension for KH63/80/85 does not include the terminal cover. To obtain the dimension across the terminal cover(s) add 23.5 mm on side that cover is fitted.

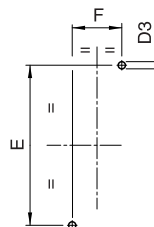
	D3	E	F	G	H	L	S
KH16, KH20, KH25	5	60	22	60	56	47	37-122
KH32, KH40	5	70	25	70	62	53.5	39-132
KH63, KH80, KH85	6	90	25	86	90	59.5	39-132

Base Mounting - For 45 mm Installation Cut-Out

KH16 to KH85 - 2 Pole



Mounting Holes

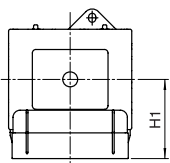


	A	B	D3	E
KH16, KH20, KH25	43.7	45.4	5	60
KH32, KH40	70.4	45.4	5	70
KH63, KH80, KH85	70.4	45.4	6	90

	F	G	H	L
KH16, KH20, KH25	22	60	56	58.5
KH32, KH40	25	70	62	59.7
KH63, KH80, KH85	25	86	90	66.7

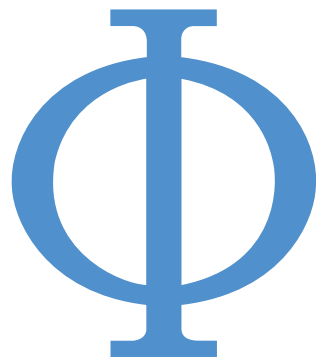
KH Switch Options

Terminal Covers



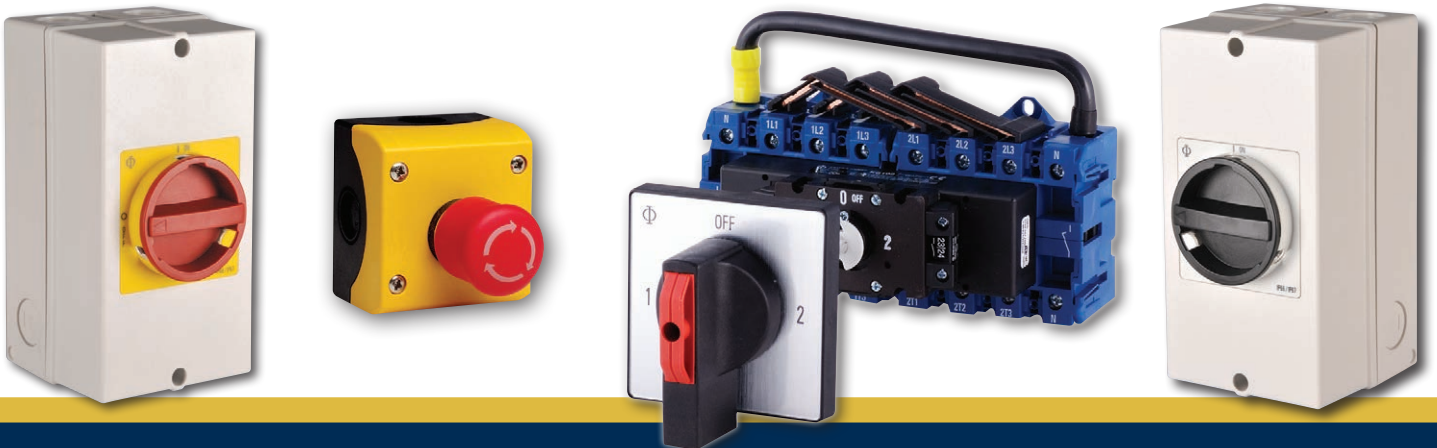
	H1
KH32, KH40	45
KH63, KH80, KH85	68.5

...it can only be **Kraus & Naimer**



Kraus & Naimer Ltd
115 London Road Newbury
Berkshire RG14 2AH
sales-uk@krausnaimer.com

Direct Sales Line
01635 262626



www.krausnaimer.co.uk