

Flow Switches Catalogue

Flow Switches



Overview

Techniquip Ltd
The Old Brewery
Norton Fitzwarren
Taunton
TA2 6RN
Tel 01823-351255
eMail sales@techniquip.co.uk
www.techniquip.co.uk



Techniquip

Control every move

Barksdale®
CONTROL PRODUCTS
CRANE Barksdale, Inc./Barksdale GmbH
A Subsidiary of Crane Co.

Flow Switches	3
BFS-10-N / BFS-10-O	3
BFS-10-N-AIR / BFS-10-O-AIR	6
BFS-20-O / BFS-20-OL	8
BFS-30-N / BFS-30-O	10
BFS-40-N / BFS-40-O	12
Electronic Flow Sensors	14
UQS 7	14

Flow Switches

BFS-10-N / BFS-10-O

for monitoring liquids,
with or without optical display

Features

set point continuously adjustable
rugged, low hysteresis, any mounting position,
high accuracy and functional safety,
ship approvals available for N-versions

Measuring ranges

0,005...0,06 l/min to 60...150 l/min for water

Applications

Measuring and monitoring of liquids,
e. g. in cooling systems, test beds, pumps etc.



Technical Data

BFS-10-N (without indication)				
Measuring principle:	variable aera flow meter			
Materials:	brass version		stainless steel vers.	
Var. aera flow meter:	brass		1.4571	
Spring:	1.4571		1.4571	
Fitting:	brass, nickel-plated		1.4571	
Housing:	brass, nickel-plated		1.4571	
Magnets:	ferrite		ferrite	
Operating pressure:	brass	MS GL	SS	Pressure drop
BFS-10-N G1/4:	300 bar	100 bar	350 bar	0,02...0,2 bar
BFS-10-N G1/2:	300 bar	100 bar	350 bar	0,02...0,3 bar
BFS-10-N G1:	250 bar	100 bar	300 bar	0,02...0,4 bar
Operating temp.:	100 °C (standard), 160 °C (option HT)			
Accuracy:	±10% f. s.			
Electrical connection:	plug acc. to DIN EN 175301-803 (DIN 43650C)			
Contact rating:				
BFS-10-N G1/4	200 V / 1 A / 20 VA		(NO)	
	200 V / 1 A / 20 VA		(SPDT)	
BFS-10-N G1/2	230 V / 3 A / 60 VA		(NO)	
	250 V / 1,5 A / 50 VA		(SPDT)	
BFS-10-N G1	250 V / 3 A / 100 VA		(NO)	
	250 V / 1,5 A / 50 VA		(SPDT)	
Protection class:	IP65 (plug acc. to DIN EN 175301-803 formaly DIN 43650C) IP67 (with moulded cable)			
Approvals:	e.g. ATEX, GL, BV,... see www.barksdale.de			

Switch ranges

(water in l/min)

BFS-10-N G1/4:	BFS-10-N G1/2:	BFS-10-N G1:
0,005...0,06	0,02...0,2	10...30
0,04...0,13	0,2...0,6	15...45
0,1...0,6	0,4...1,8	20...60
0,2...1,2	0,8...3,2	30...90
0,4...2,0	2,0...7,0	60...150
0,5...3,0	3,0...13	
1,0...5,0	4,0...20	
	8,0...30	

Technical Data

BFS-10-O (with optical indication)			
Measuring principle:	variable aera flow meter		
Materials:	brass version		stainless steel vers.
Var. aera flow meter:	brass		1.4571
Spring:	1.4571		1.4571
Fitting:	brass, nickel-plated		1.4571
Display Housing:	alumin., anodized		alumin., anodized
Glass:	Duran 50		Duran 50
Magnets:	ferrite		1.4571
Operating pressure:	brass	SS	Pressure drop
BFS-10-O G1/4:	16 bar	16 bar	0,02...0,2 bar
BFS-10-O G1/2:	16 bar	16 bar	0,02...0,3 bar
BFS-10-O G1:	10 bar	10 bar	0,02...0,4 bar
Operating temp.:	100 °C (standard), 160 °C (option HT)		
Accuracy:	±10% f. s.		
Electrical connection:	plug acc. to DIN EN 175301-803 (formaly DIN 43650C)		
Contact rating:			
BFS-10-O G1/4	200 V / 1 A / 20 VA		(NO)
	200 V / 1 A / 20 VA		(SPDT)
BFS-10-O G1/2	230 V / 3 A / 60 VA		(NO)
	250 V / 1,5 A / 50 VA		(SPDT)
BFS-10-O G1	250 V / 3 A / 100 VA		(NO)
	250 V / 1,5 A / 50 VA		(SPDT)
Protection class:	IP65 (plug acc. to DIN EN 175301-803 formaly DIN 43650C) IP67 (with moulded cable)		
Approvals:	e.g. ATEX, see www.barksdale.de		

Switch ranges

(water in l/min)

BFS-10-O G1/4:	BFS-10-O G1/2:		BFS-10-O G1:
0,005...0,06	0,2...0,5	8,0...20	8,0...30
0,025...0,13	0,3...1,0	9,5...24	15...45
0,1...0,6	0,7...2,0	12...28	30...90
0,2...1,2	1,6...4,0		60...150
0,4...2,0	3,0...8,0		
0,5...3,0	4,5...12		
1,0...5,0	6,0...15		

Flow Switches

BFS-10-N / BFS-10-O

Dimensions (mm / inch)

Dimensions (in mm)

BFS-10-N

BFS-10-O

Wiring diagram

(NO)	(SPDT)
2	3 2
1	1

	G 1/4	G 1/2	G 1
(G)	17	27	41
(hex)	17	31	47
(Ø)	47	52	76
(W)	10	14	17
(D)	65	90	130
(L)	140	350	1050
Weight (g)			

	G 1/4	G 1/2	G 1
(G)	17	27	41
(hex)	17	31	47
(Ø)	49	53	77
(W)	10	14	17
(D)	90	114	158
(L)	140	300	900
Weight (g)			

Order Numbers

BFS-10-N	BFS-10-O
Brass	Brass
0711-256 BFS-10-N-G1/4-MS-NO-ST	0711-250 BFS-10-O-G1/4-MS-NO-ST
0711-338 BFS-10-N-G1/4-MS-WE-ST	0711-332 BFS-10-O-G1/4-MS-WE-ST
0711-257 BFS-10-N-G1/2-MS-NO-ST	0711-347 BFS-10-O-G1/2-MS-NO-ST
0711-339 BFS-10-N-G1/2-MS-WE-ST	0711-348 BFS-10-O-G1/2-MS-WE-ST
0711-258 BFS-10-N-G1-MS-NO-ST	0711-252 BFS-10-O-G1-MS-NO-ST
0711-340 BFS-10-N-G1-MS-WE-ST	0711-334 BFS-10-O-G1-MS-WE-ST
Stainless Steel	Stainless Steel
0711-259 BFS-10-N-G1/4-SS-NO-ST	0711-253 BFS-10-O-G1/4-SS-NO-ST
0711-341 BFS-10-N-G1/4-SS-WE-ST	0711-335 BFS-10-O-G1/4-SS-WE-ST
0711-260 BFS-10-N-G1/2-SS-NO-ST	0711-349 BFS-10-O-G1/2-SS-NO-ST
0711-342 BFS-10-N-G1/2-SS-WE-ST	0711-350 BFS-10-O-G1/2-SS-WE-ST
0711-261 BFS-10-N-G1-SS-NO-ST	0711-255 BFS-10-O-G1-SS-NO-ST
0711-343 BFS-10-N-G1-SS-WE-ST	0711-337 BFS-10-O-G1-SS-WE-ST

Order number example: Order number + switching range = 0711-339, 2,0...7,0 l/min

Description

NO = normally open	O = with indication	MS = brass	Please specify switching range (see table on page previous) additional to order number.
WE = change-over	N = without indication	SS = stainless steel	

Notes

Lined writing area with horizontal ruling lines.

Flow Switches

for monitoring volume flow of gaseous media,
with or without optical display

Features

set point continuously adjustable, rugged, low hysteresis,
any mounting position,
high accuracy and functional safety

Measuring ranges

0,2...1,3 NI/min to 200...650 NI/min for air

Applications

Measuring and monitoring of gaseous media, e. g. in cooling
systems, test beds, pumps etc.

BFS-10-N-AIR / BFS-10-O-AIR



Technical Data

BFS-10-N-AIR (without indication)			
Measuring principle:	variable aera flow meter		
Materials:	brass version	stainless steel vers.	
Var. aera flow meter:	brass	1.4571	1.4571
Spring:	brass, nickel-plated	1.4571	1.4571
Fitting:	brass, nickel-plated	1.4571	1.4571
Housing:	ferrite	ferrite	
Operating pressure:	brass	VA	Pressure drop
BFS-10-N G1/4:	PN 300 bar	350 bar	0,02...0,2 bar
BFS-10-N G1/2:	PN 300 bar	350 bar	0,02...0,3 bar
BFS-10-N G1:	PN 250 bar	300 bar	0,02...0,4 bar
Operating temp.:	100 °C (standard), 160 °C (option HT)		
Accuracy:	±10% f. s.		
Electrical connection:	plug acc. to DIN EN 175301-803-C (Ex DIN 43650C)		
Contact rating:		(NO)	
BFS-10-N-AIR G1/4	200 V / 1 A / 20 VA	(SPDT)	
BFS-10-N-AIR G1/2	230 V / 3 A / 60 VA	(NO)	
BFS-10-N-AIR G1	250 V / 3 A / 100 VA	(NO)	
	250 V / 1,5 A / 50 VA	(SPDT)	
Protection class:	IP65 (plug acc. to DIN EN 175301-803-C - Ex DIN 43650C) IP67 (with moulded cable)		
Approvals:	e.g. ATEX, GL, BV see www.barksdale.de		

Switch ranges

(air in NI/min)

BFS-10-N-AIR G1/4:	BFS-10-N-AIR G1/2:	BFS-10-N-AIR G1:
0,6...2,2	2,5...10	60...180
1,7...6,0	5,5...20	100...300
2,5...8,0	8,0...30	200...650
3,0...12	10...35	
3,0...22	24...90	
7,0...24	55...220	
12...34	65...240	
16...56	80...300	

Technical Data

BFS-10-O-AIR (with optical indication)			
Measuring principle:	variable aera flow meter		
Materials:	brass version	stainless steel vers.	
Var. aera flow meter:	brass	1.4571	1.4571
Spring:	brass, nickel-plated	1.4571	1.4571
Fitting:	brass, nickel-plated	1.4571	1.4571
Display Housing:	alumin., anodized	alumin., anodized	
Glass:	Duran 50	Duran 50	
Magnets:	ferrite	ferrite	
Operating pressure:	brass	VA	Pressure drop
BFS-10-O G1/4:	PN 16 bar	16 bar	0,02...0,2 bar
BFS-10-O G1/2:	PN 16 bar	16 bar	0,02...0,3 bar
BFS-10-O G1:	PN 10 bar	10 bar	0,02...0,4 bar
Operating temp.:	100 °C (standard), 160 °C (option HT)		
Accuracy:	±10% f. s.		
Electrical connection:	plug acc. to DIN EN 175301-803-C (Ex DIN 43650C)		
Contact rating:		(NO)	
BFS-10-O-AIR G1/4	200 V / 1 A / 20 VA	(SPDT)	
BFS-10-O-AIR G1/2	230 V / 3 A / 60 VA	(NO)	
BFS-10-O-AIR G1	250 V / 3 A / 100 VA	(NO)	
	250 V / 1,5 A / 50 VA	(SPDT)	
Protection class:	IP65 (plug acc. to DIN EN 175301-803-C - Ex DIN 43650C) IP67 (with moulded cable)		
Approvals:	e.g. ATEX, see www.barksdale.de		

Switch ranges

(air in NI/min) for:

BFS-10-O-AIR G1/4:	BFS-10-O-AIR G1/2:	BFS-10-O-AIR G1:
0,2...1,3	5,5...20	3,0...12
0,5...2,0	7,0...24	7,0...30
0,8...3,0	10...35	12...40
1,5...5,0	10...42	28...125
2,0...8,0		50...200
3,0...12		100...420
3,5...14		120...480

Flow Switches

BFS-10-N-AIR / BFS-10-O-AIR

Dimensions (mm / inch)

Dimensions (in mm)

BFS-10-N-AIR

BFS-10-O-AIR

Wiring diagram

(NO)	(SPDT)
2	3 2
1	1

	G 1/4	G 1/2	G 1
(G)	17	27	41
(hex)	17	31	47
(Ø)	47	52	76
(W)	10	14	17
(L)	65	90	130
Weight (g)	140	350	1050

	G 1/4	G 1/2	G 1
(G)	17	27	41
(hex)	17	31	47
(Ø)	49	53	77
(W)	10	14	18
(L)	90	114	158
Weight (g)	140	300	900

Order Code

BFS-10-N-AIR	BFS-10-O-AIR
Brass	Brass
0710-007 BFS-10-N-G1/4-MS-NO-ST	0710-001 BFS-10-O-G1/4-MS-NO-ST
0710-019 BFS-10-N-G1/4-MS-WE-ST	0710-013 BFS-10-O-G1/4-MS-WE-ST
0710-008 BFS-10-N-G1/2-MS-NO-ST	0710-002 BFS-10-O-G1/2-MS-NO-ST
0710-020 BFS-10-N-G1/2-MS-WE-ST	0710-014 BFS-10-O-G1/2-MS-WE-ST
0710-009 BFS-10-N-G1-MS-NO-ST	0710-003 BFS-10-O-G1-MS-NO-ST
0710-021 BFS-10-N-G1-MS-WE-ST	0710-015 BFS-10-O-G1-MS-WE-ST
Stainless Steel	Stainless Steel
0710-010 BFS-10-N-G1/4-SS-NO-ST	0710-004 BFS-10-O-G1/4-SS-NO-ST
0710-022 BFS-10-N-G1/4-SS-WE-ST	0710-016 BFS-10-O-G1/4-SS-WE-ST
0710-011 BFS-10-N-G1/2-SS-NO-ST	0710-005 BFS-10-O-G1/2-SS-NO-ST
0710-023 BFS-10-N-G1/2-SS-WE-ST	0710-017 BFS-10-O-G1/2-SS-WE-ST
0710-012 BFS-10-N-G1-SS-NO-ST	0710-006 BFS-10-O-G1-SS-NO-ST
0710-024 BFS-10-N-G1-SS-WE-ST	0710-018 BFS-10-O-G1-SS-WE-ST

Order number example: Order number + switching range = 0710-012, 60...180 l/min

Description

NO = normally open	O = with indication	MS = brass	Please specify switching range (see table on page previous) additional to order number.
WE = change-over	N = without indication	SS = stainless steel	

Flow Switches

BFS-20-O / BFS-20-OL

for liquids from 30 up to 600 cSt with optical display

Features

viscosity compensated from 30 to 600 cSt, set point continuously adjustable, rugged, low hysteresis, any mounting position, high accuracy and functional safety, with 1/2" connection also available as low cost version

Measuring ranges

0,1 ... 0,8 l/min to 30 ... 90 l/min for liquids up from 30 to 600 cSt.

Applications

Measuring and monitoring of liquids, e. g. in cooling or hydraulic systems, test beds, pumps etc.



Technical Data

BFS-20-O			
Measuring principle:	variable aera flow meter		
Materials:	brass version	stainless steel vers.	
	Flow meter:	brass	1.4571
	Spring:	1.4571	1.4571
	Fitting:	brass, nickel-plated	1.4571
	Display Housing:	alumin, anodized	alumin, anodized
Glass:	Duran 50	Duran 50	
Magnets:	ferrite	ferrite	
Operating pressure:	brass	VA	Pressure drop
	BFS-20-O:	PN 10 bar	10 bar 0,02...0,4 bar
Operating temp.:	120 °C (standard), 160 °C (option HT)		
Accuracy:	±10% f. s.		
Electrical connection:	plug acc. to DIN EN 175301-803-C (Ex DIN 43650C)		
Contact rating:	BFS-20-O G1		
	250 V / 3 A / 100 VA	(NO)	
	250 V / 1,5 A / 50 VA	(SPDT)	
Protection class:	IP65 (plug acc. to DIN EN 175301-803-C - Ex DIN 43650C) IP67 (with moulded cable)		
Approvals:	e.g. ATEX, see www.barksdale.de		

Technical Data

BFS-20-OL			
Measuring principle:	variable aera flow meter		
Materials:	brass version	stainless steel vers.	
	Flow meter:	brass, nickel-plated	1.4571
	Spring:	1.4571	1.4571
	Fitting:	brass, nickel-plated	1.4571
	Display Housing:	alumin, anodized	alumin, anodized
Glass:	Duran 50	Duran 50	
Magnets:	ferrite	ferrite	
Operating pressure:	brass	VA	Pressure drop
	BFS-20-OL:	PN 16 bar	16 bar 0,2...0,4 bar
Operating temp.:	120 °C (standard), 160 °C (option HT)		
Accuracy:	±10% f. s.		
Electrical connection:	plug acc. to DIN EN 175301-803-C (Ex DIN 43650C)		
Contact rating:	BFS-20-OL G1		
	250 V / 3 A / 100 VA	(NO)	
	250 V / 1,5 A / 50 VA	(SPDT)	
Protection class:	IP65 (plug acc. to DIN EN 175301-803-C - Ex DIN 43650C) IP67 (with moulded cable)		
Approvals:	e.g. ATEX, see www.barksdale.de		

Switch ranges

in l/min

BFS-20-O G1/4:	BFS-20-O G1/2:	BFS-20-O G3/4:	BFS-20-O G1:
			0,5...1,5
			1,0...4,0
			2,0...8
			3,0...10
			5,0...15
			8,0...24
			10...30
			15...45
			20...60
			30...90

Switch ranges

in l/min

BFS-20-OL G1/2:
0,5...1,7
1,3...4,0
2,5...8,0

Dimensions (mm / inch)

Dimensions (in mm)

BFS-20-O

BFS-20-OL

Wiring diagram

(NO)	(SPDT)
2	3 2
1	1

(G)	G 1/4	G 1/2	G 3/4	G 1	(G)	G 1/2
(hex)	41	41	41	41	(hex)	27
(Ø)	50	50	50	50	(Ø)	32
(W)	77	77	77	77	(W)	53
(D)	17	17	17	17	(D)	14
(L)	145	145	139	158	(L)	114
Weight (g)	850	850	850	850	Weight (g)	300

Order Code

BFS-20-O	BFS-20-OL
Brass	Brass
0712-263 BFS-20-O-G1-MS-NO-ST	0712-262 BFS-20-OL-G1/2-MS-NO-ST
0712-345 BFS-20-O-G1-MS-WE-ST	0712-344 BFS-20-OL-G1/2-MS-WE-ST
Stainless Steel	Stainless Steel
0712-265 BFS-20-O-G1-SS-NO-ST	0712-264 BFS-20-OL-G1/2-SS-NO-ST
0712-347 BFS-20-O-G1-SS-WE-ST	0712-346 BFS-20-OL-G1/2-SS-WE-ST

The version BFS-20-O is also available with process connections, please see table on side before. To place an order please add the process connection to the order number.

Order number example: Order number + switching range = 0712-263, 3...10 l/min

Description

NO = normally open	O = with indication	MS = brass	Please specify switching range (see table on page previous) additional to order number.
WE = change-over	N = without indication	SS = stainless steel	

Flow Switches

BFS-30-N / BFS-30-O

for liquids from 30 up to 600 cSt,
with or without optical display

Features

viscosity compensated from 30 up to 600 cSt,
set point continuously adjustable,
rugged, low hysteresis, any mounting position,
high accuracy and functional safety,
optional with pointer-indicating instrument,
ship approvals available for N-versions

Measuring ranges

0.5...1.5 l/min to 35...110 l/min
for liquids from 30 up to 600 cSt.

Applications

Measuring and monitoring of liquids, e. g. in cooling
or hydraulic systems, test beds, pumps etc.



Technical Data

BFS-30-N (without indication)				
Measuring principle:	variable aera flow meter			
Materials:	brass version	stainless steel vers.		
	Flow meter:	brass	1.4571	
	Spring:	1.4571	1.4571	
	Fitting:	brass, nickel-plated	1.4571	
Housing:	brass, nickel-plated 1.4571			
Operating pressure:	brass	brass GL	VA	Press.drop
	BFS-30-N, N E:	250 bar	100 bar	300 bar
BFS-30-L:	300 bar	100 bar	350 bar	0,02...0,2 bar
Operating temp.:	120 °C (standard), 160 °C (option HT)			
Accuracy:	±10% f. s.			
Electrical connection:	plug acc. to DIN EN 175301-803 (Ex DIN 43650C)			
Contact rating:	BFS-30-L		(NO)	
	230 V / 3 A / 60 VA		(SPDT)	
BFS-30-N, N E	250 V / 1,5 A / 50 VA		(NO)	
	250 V / 3 A / 100 VA		(NO)	
	250 V / 1,5 A / 50 VA		(SPDT)	
Protection class:	IP65 (plug acc. to DIN EN 175301-803 - Ex DIN 43650C) IP67 (with moulded cable)			
Approvals:	e.g. ATEX, GL, BV,...see www.barksdale.de			

Technical Data

BFS-30-O (with optical indication)			
Measuring principle:	variable aera flow meter		
Materials:	brass version	stainless steel vers.	
	Flow meter:	brass	1.4571
	Spring:	1.4571	1.4571
	Fitting:	brass, nickel-plated	1.4571
	Housing:	brass, nickel-plated	1.4571
Display Housing:	Makrolon		
Operating pressure:	brass	VA	Press. drop
	BFS-30-O, O E:	250 bar	300 bar
Operating temp.:	120 °C (standard), 160 °C (option HT)		
Accuracy:	±10% f. s.		
Electrical connection:	plug acc. to DIN EN 175301-803 (Ex DIN 43650C)		
Contact rating:	BFS-30-O, O E		(NO)
	250 V / 3 A / 100 VA		(SPDT)
Protection class:	IP65 (plug acc. to DIN EN 175301-803 - Ex DIN 43650C)		
	IP67 (with moulded cable)		
Approvals:	see www.barksdale.de		

Switch ranges

versions	in l/min	Process connections
BFS-30-L:	0,5...1,6	G1/2
	0,8...3,0 / 2,0...7,0	
BFS-30-N:	0,5...1,5 / 1,0...4,0	G1
	2,0...8,0 / 3,0...10	
	5,0...15 / 8,0...24	
	10...30 / 15...45	
	20...60 / 30...90	
BFS-30-N E:	35...110	G1
	1,0...20 / 4,0...40	
	5,0...50 / 8,0...60	
	12...70 / 15...80	

Switch ranges

versions	in l/min	Process connection
BFS-30-O:	0,5...1,5 / 1,0...4,0	G1
	2,0...8,0 / 3,0...10	
	5,0...15 / 8,0...24	
	10...30 / 15...45	
BFS-30-O E:	20...60 / 30...90	G1
	35...110	
	1,0...20 / 4,0...40	
	5,0...50 / 8,0...60	G1
	12...70 / 15...80	

Dimensions (mm / inch)

BFS-30-N / L

BFS-30-O

Wiring diagram

(NO)	(SPDT)
2	3 2
1	1

	(G)	G 1/4	G 1/2	G 3/4	G 1	1/2" (BFS-30-L)		(G)	G 1/4	G 1/2	G 3/4	G 1
(hex)		34	34	34	40	27		(hex)	34	34	34	40
(Ø)		40	40	40	40	31		(Ø)	40	40	40	40
(W)		76	76	76	76	52		(W)	76	76	76	76
(D)		21	21	21	17	14		(D1)	57	57	57	57
(L)		152	152	152	130	90		(L)	152	152	152	130
Weight (g)		1500	1425	1340	1160	350		Weight (g)	1590	1515	1430	1250

Order Code

Brass	Description	Stainless Steel	Description
0713-266	BFS-30-L-G1/2-MS-NO-ST	0713-269	BFS-30-L-G1/2-SS-NO-ST
0713-267	BFS-30-N-G1-MS-NO-ST	0713-270	BFS-30-N-G1-SS-NO-ST
0713-268	BFS-30-NE-G1-MS-NO-ST	0713-271	BFS-30-NE-G1-SS-NO-ST
0713-272	BFS-30-O-G1-MS-NO-ST	0713-274	BFS-30-O-G1-SS-NO-ST
0713-273	BFS-30-OE-G1-MS-NO-ST	0713-275	BFS-30-OE-G1-SS-NO-ST
0713-348	BFS-30-L-G1/2-MS-WE-ST	0713-351	BFS-30-L-G1/2-SS-WE-ST
0713-349	BFS-30-N-G1-MS-WE-ST	0713-352	BFS-30-N-G1-SS-WE-ST
0713-350	BFS-30-NE-G1-MS-WE-ST	0713-353	BFS-30-NE-G1-SS-WE-ST
0713-354	BFS-30-O-G1-MS-WE-ST	0713-356	BFS-30-O-G1-SS-WE-ST
0713-355	BFS-30-OE-G1-MS-WE-ST	0713-357	BFS-30-OE-G1-SS-WE-ST

Adapter

Brass	Process connection	Stainless Steel	Process connection
0799-026	1"...1/4"	0799-029	1"...1/4"
0799-027	1"...1/2"	0799-030	1"...1/2"
0799-028	1"...3/4"	0799-031	1"...3/4"

Order number example: Order number + switching range = 0713-266, 0,8...3,0 l/min

Description

NO = normally open	NE = without indication, enlarged meas. range	MS = brass	Please specify switching range (see table on page previous) additional to order number.
WE = change-over	OE = with indication enlarged meas. range	SS = stainless steel	
	L = without indication, low cost		
	O = with indication		
	N = without indication		

Flow Switches

BFS-40-N / BFS-40-O

or water monitoring, with or without optical display

Features

large switching range, set point continuously adjustable, rugged, low hysteresis, any mounting position, high accuracy and functional safety, optional with pointer-indicating instrument, ship approvals available for N-versions

Measuring ranges

0,2...4,0 l/min to 35...250 l/min for water

Applications

Measuring and monitoring of liquids, e. g. in cooling or hydraulic systems, test beds, pumps etc.



Technical Data

BFS-40-N (without optical indication)				
Measuring principle:	variable aera flow meter			
Materials:	Var. aera flow meter:	brass version	stainless steel vers.	
	Spring:	brass	1.4571	
	Fitting:	1.4571	1.4571	
	Housing:	brass, nickel-plated	1.4571	
Operating pressure: BFS-40-N	brass	brass GL	VA	Pressure drop
	200 bar	100 bar	300 bar	0,02...0,8 bar
	Operating temp.: 100 °C (standard), 160 °C (option HT)			
	Accuracy: ±5% f. s.			
Electrical connection:	plug acc. to DIN EN 175301-803-C (Ex DIN 43650C)			
Contact rating: BFS-40-N	250 V / 3 A / 100 VA	(NO)		
	250 V / 1,5 A / 50 VA	(SPDT)		
Protection class:	IP65 (plug acc. to DIN EN 175301-803-C - Ex DIN 43650C) IP67 (with moulded cable)			
Approvals:	e.g. ATEX, GL, BV,...see www.barksdale.de			

Technical Data

BFS-40-O (with optical indication)			
Measuring principle:	variable aera flow meter		
Materials:	brass version	stainless steel vers.	
	Var. aera flow meter:	brass	1.4571
	Spring:	1.4571	1.4571
	Fitting:	brass, nickel-plated	1.4571
Housing:	brass, nickel-plated	1.4571	
	Display Housing:	makrolon	
Operating pressure: BFS-40-O:	brass	VA	Pressure drop
	200 bar	300 bar	0,02...0,8 bar
Operating temp.:	100 °C (standard), 160 °C (option HT)		
Accuracy:	±5% f. s.		
Electrical connection:	plug acc. to DIN EN 175301-803-C (Ex DIN 43650C)		
Contact rating: BFS-40-O	250 V / 3 A / 100 VA	(NO)	
	250 V / 1,5 A / 50 VA	(SPDT)	
Protection class:	IP65 (plug acc. to DIN EN 175301-803-C - Ex DIN 43650C) IP67 (with moulded cable)		
Approvals:	see www.barksdale.de		

Switch ranges

in l/min

BFS-40-N G1/4:	BFS-40-N G1/2:	BFS-40-N G3/4:	BFS-40-N G1:	BFS-40-N G1 1/4:	BFS-40-N G1 1/2:
0,2...4,0					
0,5...8,0					
0,6...5,0					
1,0...14					
1,0...28					
	2,0...40				
	4,0...55				
		1,0...70			
		8,0...90			
		5,0...110			
			10...150		
				35...220	
				35...250	

Switch ranges

in l/min

BFS-40-O G1/4:	BFS-40-O G1/2:	BFS-40-O G3/4:	BFS-40-O G1:	BFS-40-O G1 1/4:	BFS-40-O G1 1/2:
0,2...4,0					
0,5...8,0					
0,6...5,0					
1,0...14					
1,0...28					
	2,0...40				
	4,0...55				
		1,0...70			
		8,0...90			
		5,0...110			
				10...150	
					35...220
					35...250

Dimensions (mm / inch)

Dimensions (in mm)

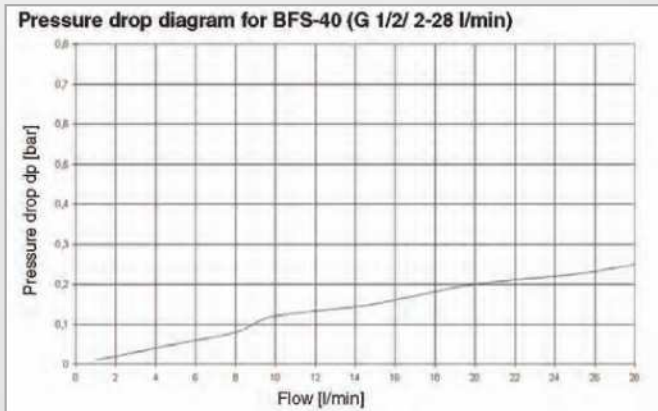
BFS-40-N

BFS-40-O

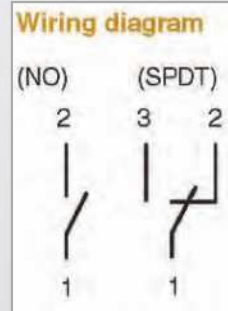
	G 1/4	G 1/2	G 3/4	G 1	1 1/4	1 1/2
(G)	27	27	27/34	40	40/50	60
(hex)	27	27	27/34	40	40/50	60
(Ø)	30	30	30/40	40	40/50	60
(W)	71	71	71/76	76	76/81	82
(D)	14	14/16	16/18	19	21	24
(L)	130	148	148/152	156	200	200
Weight (g)	130/ 148	850/ 900	900/ 1450	1100	2750/ 3000	3800

	G 1/4	G 1/2	G 3/4	G 1	1 1/4	1 1/2
(G)	27	27	27/34	40	40/50	60
(hex)	27	27	27/34	40	40/50	60
(Ø)	30	30	30/40	40	40/50	60
(Ø1)	47	47	47/57	57	57/67	77
(W)	71	71	71/76	76	76/81	82
(D)	14	14	16/18	19	21	24
(L)	130	130/148	148/152	156	200	200
Weight (g)	900	900/950	950/1450	1150	2800/ 3050	3850

Pressure Drop Diagram



Wiring Diagrams



Order Numbers

Order numbers on request

Electronic Flow Sensors

UQS 7

Electronic flow sensor for flow and volume flow monitoring with ultrasonic sensor, digital display, 2 set points and analog output, linearity error 2.5 % m.v.

Features

7-segment LED display, microprocessor-controlled, self monitoring with error display.

All parameters are configured by keypad, tamper proof, keypad lock, rugged construction, vibration- and shock-proof, long term stability, display unit rotatable in steps of 90°

Applications

OEM applications,
Automotive,
cooling,
automobile industry

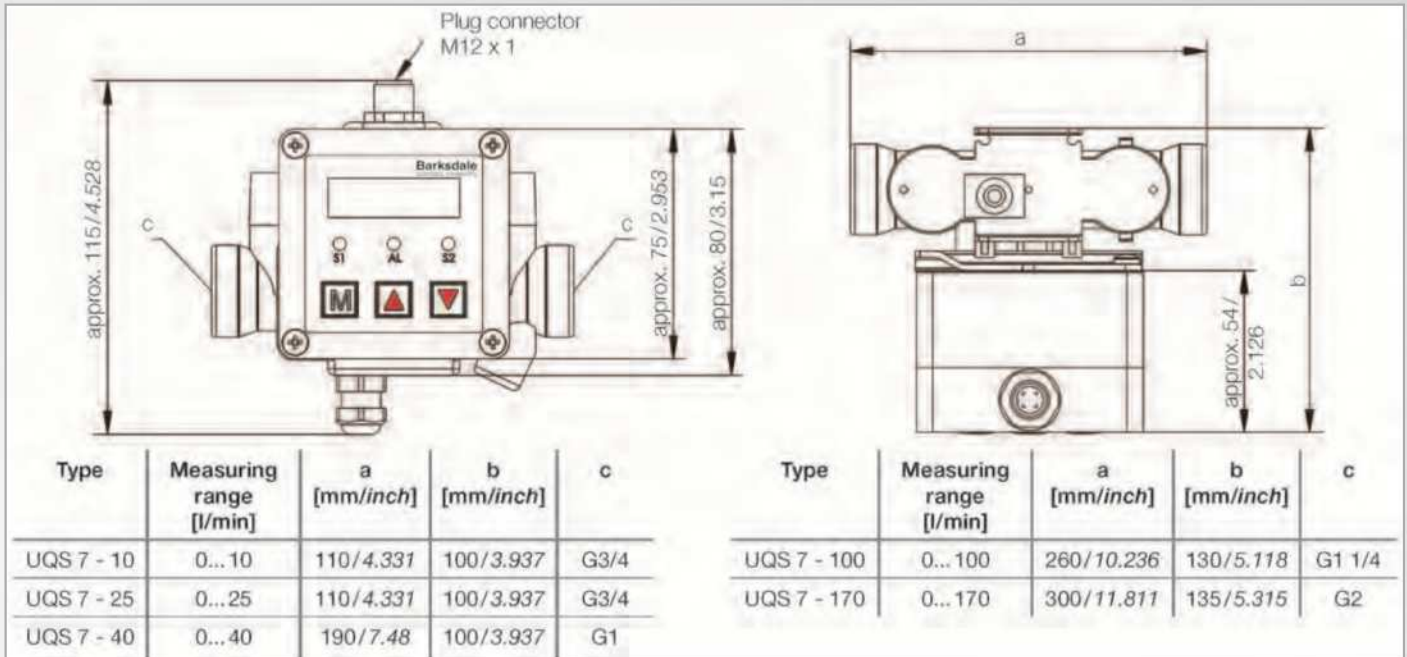


Technical Data

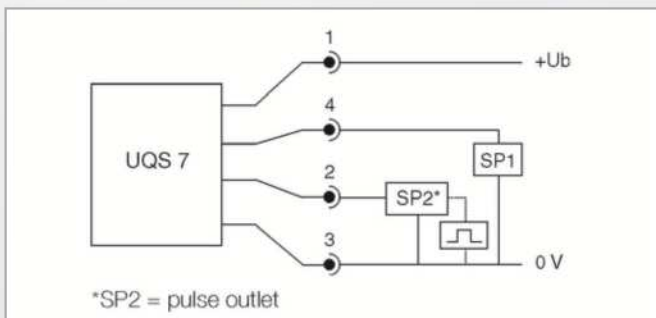
Sensor element:	ultrasonic sensor				
Media:	Water and similar media, max. pressure 25 bar (higher pressures on request)				
Materials:	Brass, pressed				
Wetted parts:	Aluminum die-cast				
Electronics housing:	Klingersil®				
seals (media):	Polyester				
Keypad:					
Operating elements:	3 easy-response pushbuttons				
System of protection:	IP65				
Protection class:	III				
Process connection:	G3/4, G1, G11/4, G2				
Dimensions:	100x140 mm				
Weight [g]:	850	850	1200	3000	4000
Measuring range [l/min]:	10	25	40	100	170
Linearity error:	±2,5% m.v. at 25 °C				
A/D converter:					
Scanning rate:	500 ms				
Digital display:	4-digit 7-segment LED display, red, digit height 12mm				
Display rate:	500 ms				
Error display:	LED yellow and alphanumeric display				
Electrical connection:	Plug M12x1, 4-/5-pin				
Temperature influence:	±0,2% m.v./10K				
Compensation range:	-10 °C...+70 °C				
Repeatability:	±0,1% m.v.				

Temperature range:	
Medium (enclosure separate from sensor):	+4 °C...+130 °C
Electronics:	-10 °C...+70 °C
Storage:	-30 °C...+80 °C
Inlet - Outflow Zone:	Integrated in the meas. device
Power supply:	15...32 V DC, reversed polarity protected (SELV, PELV)
Power consumption:	approx. 50 mA (without load)
Analog output:	
Current output:	4...20 mA
Load:	max. RI = (Ub-12 V)/20 mA
	RI = 600 Ohm at Ub = 24 V DC
	0.3%/100 Ohm
Load influence:	500 ms
Scanning rate:	10 Bit
Resolution:	(1024 steps per measuring span)
Option	
Voltage output:	
Rating:	0...10 V DC
Adjustment range:	max. 10 mA, short-circuit proof 25%...100% m.v.
Transistor switching outputs:	
Switching function:	Normally open / normally closed, standard / window mode and diagnosis function adjustable
Adjustment range:	0 %...125 % m.v.
Switching frequency:	max. 100 Hz
Current rating:	max. 500 mA, short-circuit proof
Delay:	0,0s...9,9s adjustable
Display:	LED green
Pulse output:	on request
Accessories:	Plug connector

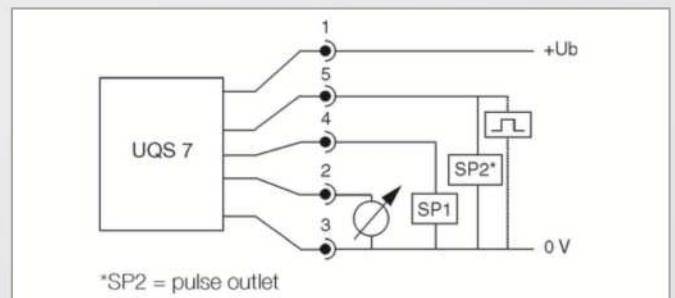
Dimensions (mm / inch)



Connection Diagram 1



Connection Diagram 2



Order Numbers

Type	UQS 7 - 10	UQS 7 - 25	UQS 7 - 40	UQS 7 - 100	UQS 7 - 170
Measuring range (Qn)*	0,04...10 l / min	0,1...25 l / min	0,16...40 l / min	0,4...100 l / min	0,68...170 l / min
Process connection	G3/4	G3/4	G1	G1 1/4	G2
2 switching outputs	0728-001	0728-003	0728-005	0728-014	0728-016
2 switching outputs, 1 analog output 4...20 mA	0728-002	0728-004	0728-006	0728-015	0728-017

* Qmax = Qn x 2; in the range of Qmax the accuracy class is 3%.

Experts

Specialists for monitoring
and control of

- ▶ Pressure
- ▶ Temperature
- ▶ Level
- ▶ Flow

Barksdale develops market-focused solutions for customers in the fluid power, transportation and industrial equipment markets focusing on applications that include:

Sensors & Switches for
Wind Turbines



Shipbuilding



Oil and gas exploration



Truck, trailer and bus
suspensions



Sensors for Hydraulic
Power Packs



Product overview



Visit our website



Barksdale GmbH
(Production Center)
Dorn-Assenheimer Str. 27
61203 Reichelsheim
Germany
Phone: +49 (0) 6035 949 - 0
Fax: +49 (0) 6035 949 - 111
info@barksdale.de
www.barksdale.de

Barksdale China
(Sales Center)
33F Huaihai Plaza
1045 Central Huaihai Road
200031 Shanghai
China
Phone: +86 2161 273 000
Fax: +86 2164 733 298
chinasales@barksdale.com
www.barksdalechina.com

Barksdale Inc.
(Production Center)
3211 Fruitland Avenue
Los Angeles, CA 90058-0843
USA
Phone: +1 (323) 589 - 6181
Fax: + 1 (323) 589 - 3463
sales@barksdale.com
www.barksdale.com

Barksdale Control Products
(Sales Center)
Solitaire, 6th Floor, S. No. 131/1+2,
ITI Road
Aundh, Pune - 411007
India
Phone: +91 20 30567860
Fax: +91 20 30567812
sales@barksdale.in
www.barksdale.in

Barksdale®
CONTROL PRODUCTS
 Barksdale, Inc./Barksdale GmbH
A Subsidiary of Crane Co.