

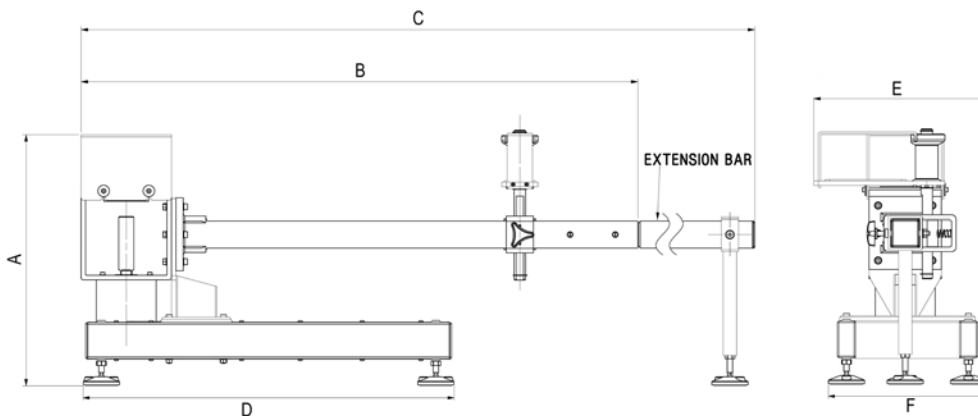
NORBAR TORQUE TOOLS

ISO 3000 MOTORISED TORQUE WRENCH LOADER

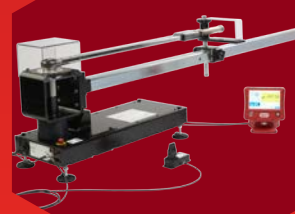


ISO 3000 MOTORISED TORQUE WRENCH LOADER

- Assists calibration in accordance with BS EN ISO 6789:2003.
- Reduces operator induced variations in the calibration process, taking full advantage of the accuracy of Norbar's torque measurement systems.
- Ergonomically designed speed control paddle for accurate applied torque control.
- Safety transducer overload feature when used with compatible Norbar measurement system.
- Automatic motor stop without operator presence. Emergency stop override.



PART NUMBER	MAXIMUM TORQUE OUTPUT	WEIGHT (kg)		DIMENSIONS (mm)					
		REMOTE PADDLE CONTROLLER	TORQUE WRENCH LOADER	A	B	C	D	E	F
20506	3000 N·m (2200 lbf·ft)	0.25	40	554	1232	2442	820	382	350



Part Number 07566 | July 2015 | © Norbar Torque Tools Ltd 2015



UNITED KINGDOM
 Tel + 44 (0)1295 753600
 Email enquiry@norbar.com



AUSTRALIA
 Tel + 61 (0)8 8292 9777
 Email enquiry@norbar.com.au



USA
 Tel + 1 866 667 2272
 Email inquiry@norbar.us



SINGAPORE
 Tel + 65 6841 1371
 Email enquires@norbar.sg



CHINA
 Tel + 86 21 6145 0368
 Email sales@norbar.com.cn



INDIA
 Tel + 91 22 2778 8480
 Email enquiry@norbar.in