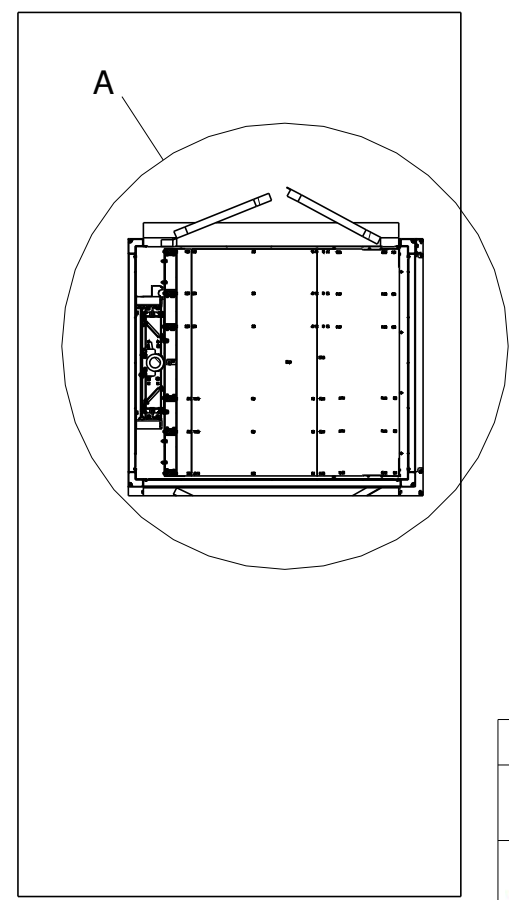
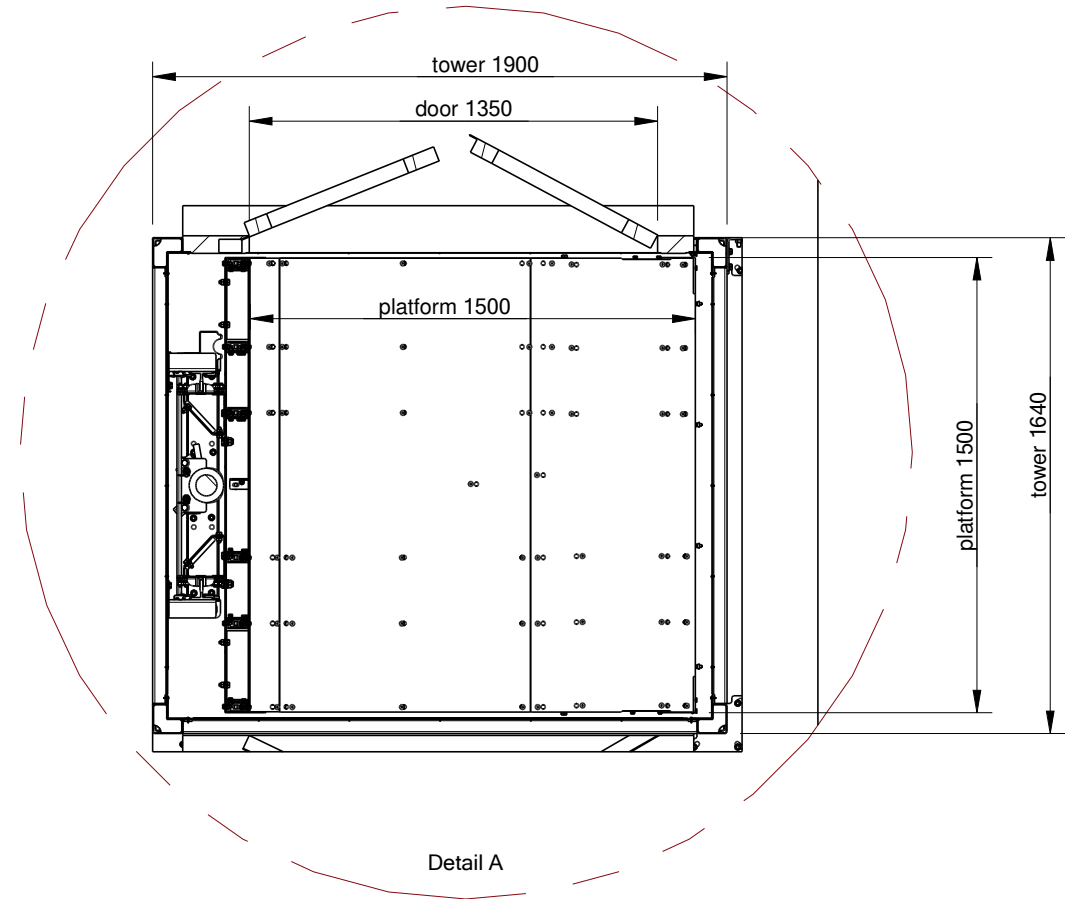
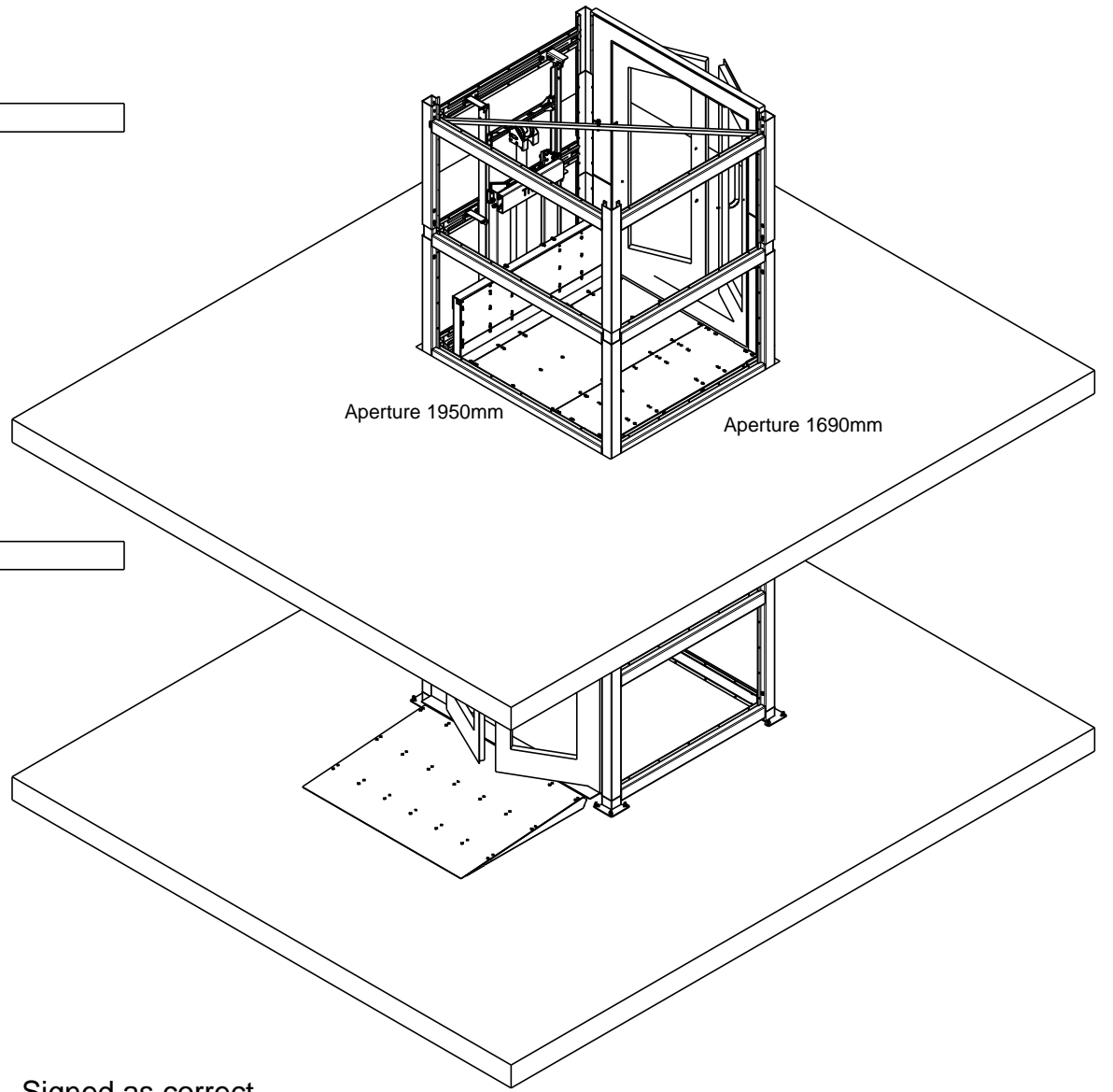
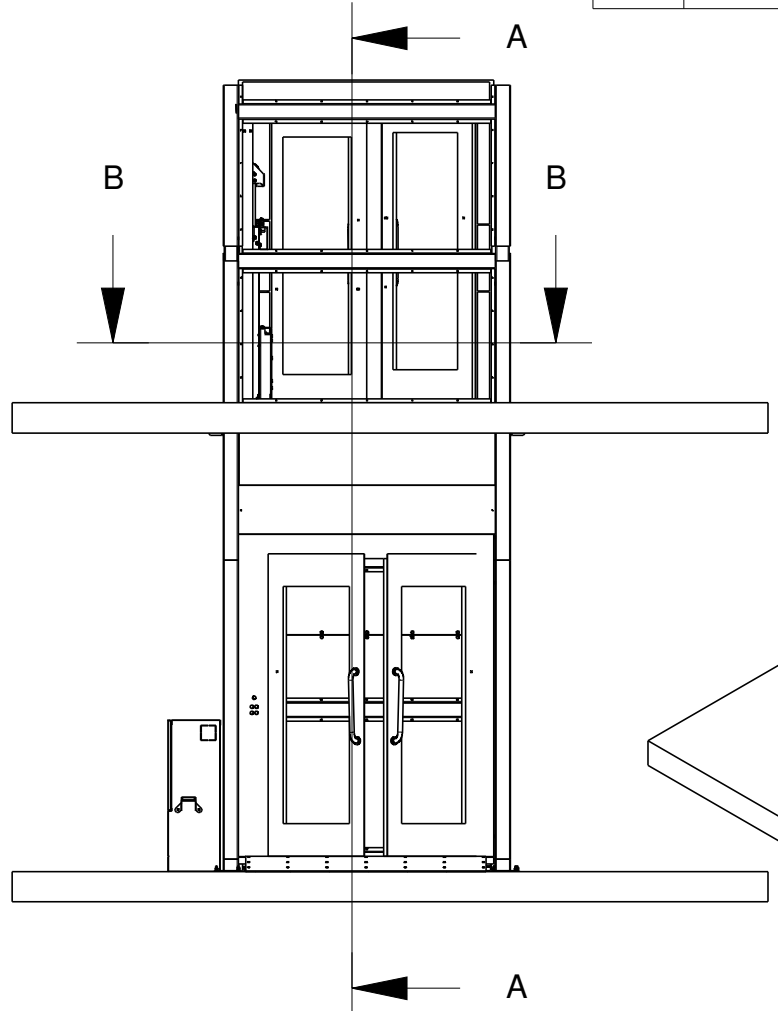
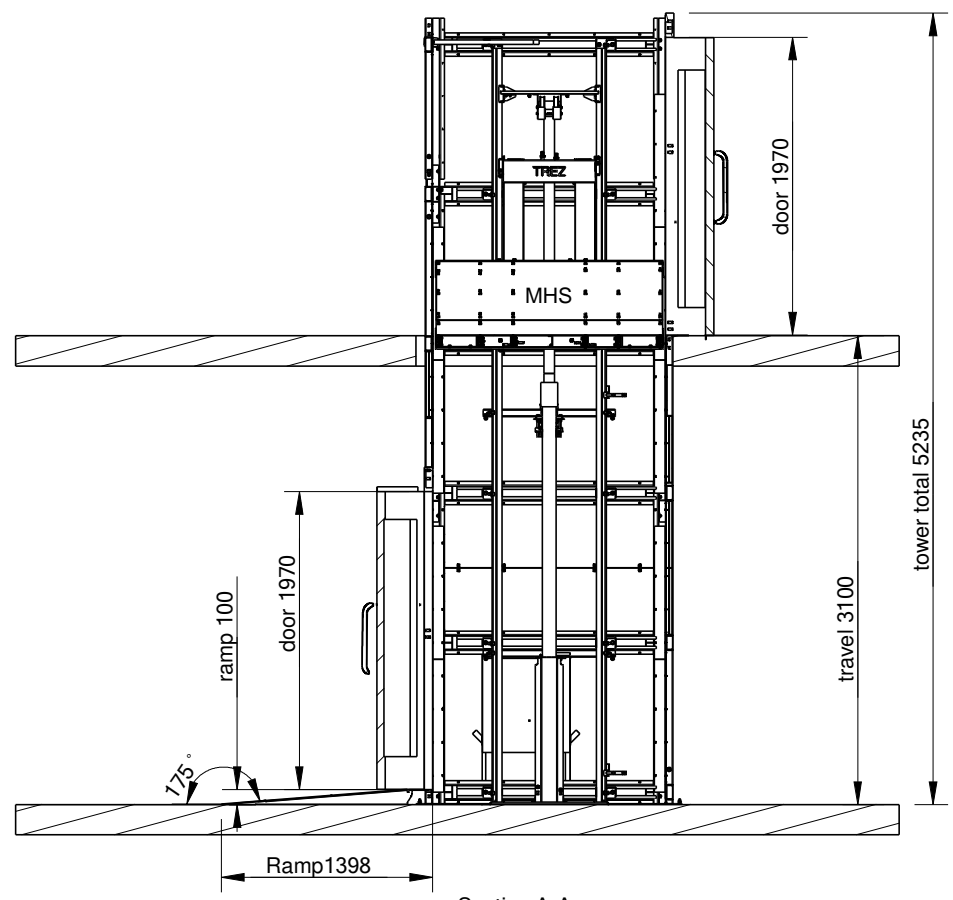


A
B
C
D
E
F

A
B
C
D
E
F



Signed as correct
 Name..... Date..... Position.....

Goods only lift 500
 Load 500 kg
 Speed 0.13 m/s
 Tower collar RAL 7024
 Platform color Cav RED

Itemref	Quantity	Title/Name, designation, material, dimension etc	Article No./Reference		
Drawn by	Checked by	Approved by - date	File name	Date	Scale
Manual Handling Solutions 58 Paige Close, Watlington Kings Lynn, Norfolk PE33 0TQ Tel 01553811977 sales@manualhandlingsolutions.co.uk			Fitted with "press to Go" controls		
			185 Veritek Global Ltd	Edition	Sheet