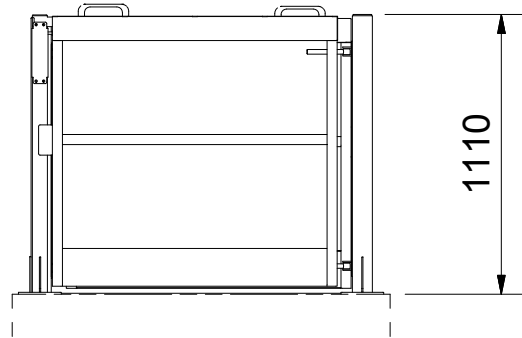
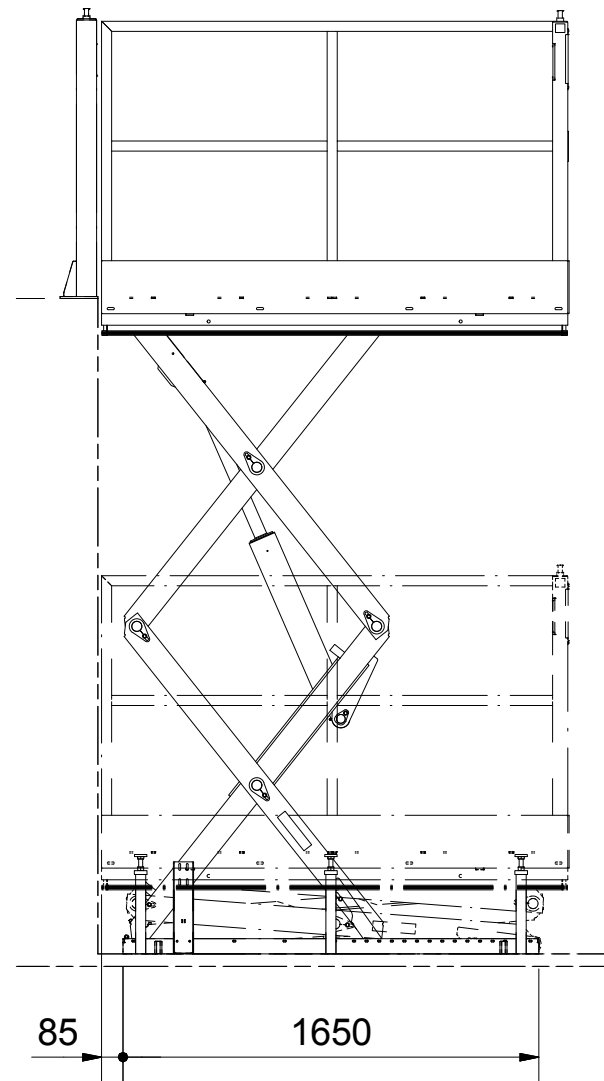


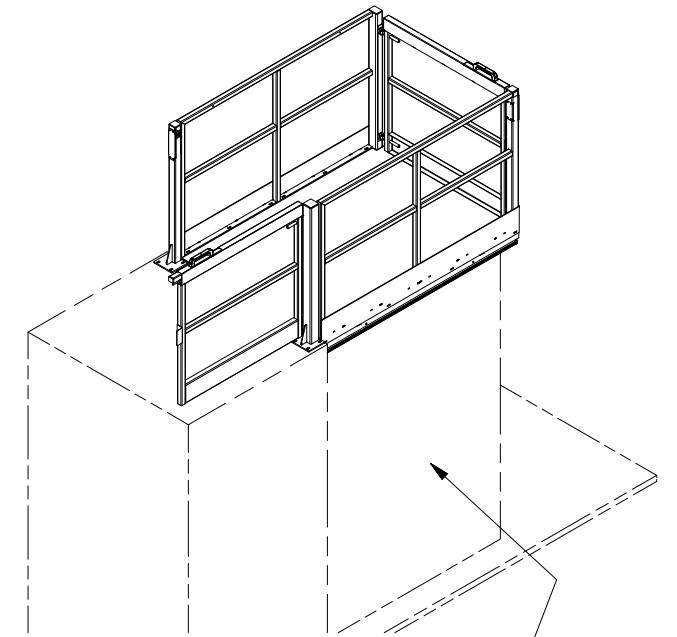
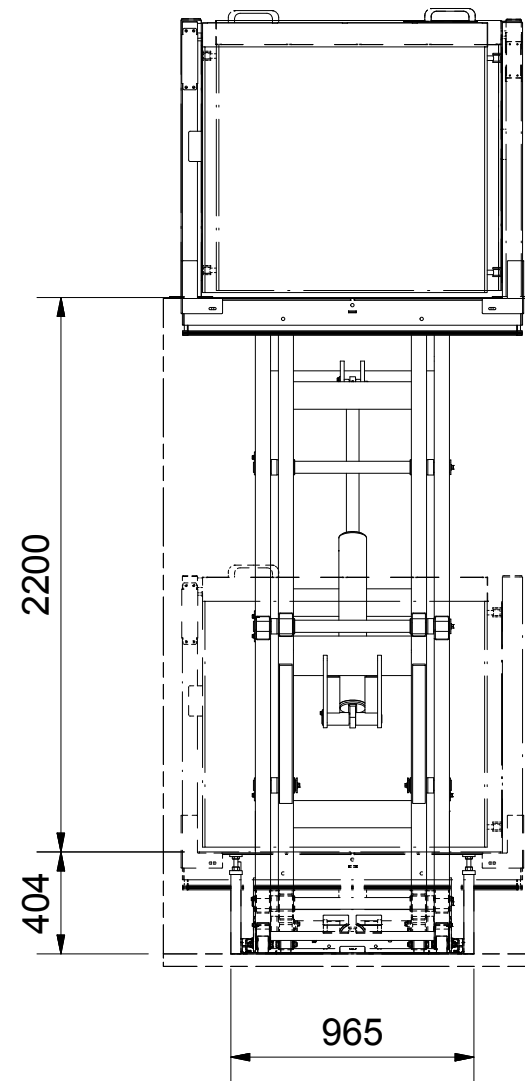
A ( 1:30 )



B ( 1:30 )

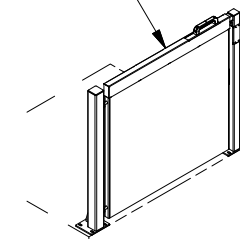


C ( 1:30 )

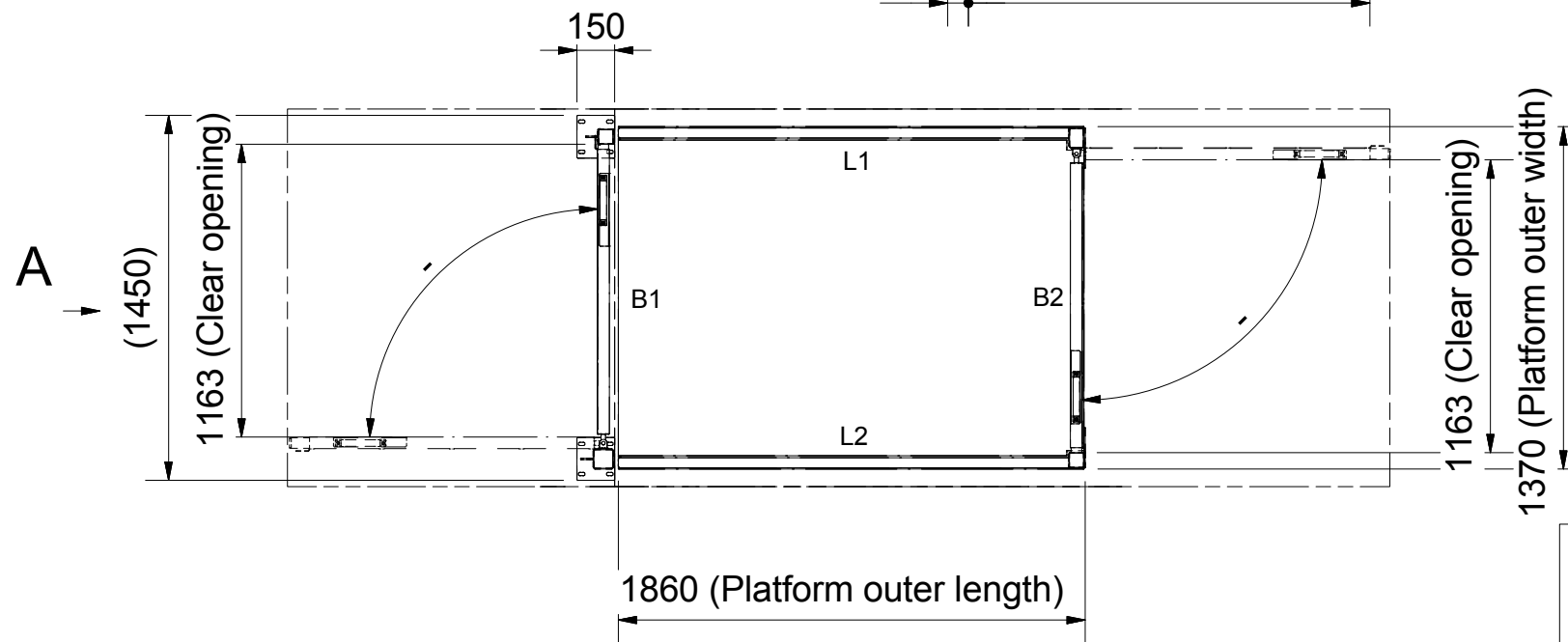
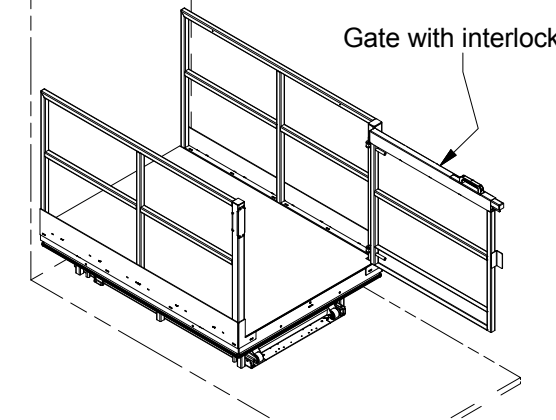


Protective mesh on L1, L2 & B2

Gate with interlock



Gate with interlock



Manual Handling Solutions 58 Paige Close, Watlington Kings Lynn, Norfolk PE33 0TQ Tel 01553811977	General tolerances for dimensions without indication according to ISO 2768-m	System	Drawing no	Revision
		Sheet size A3	<b>K28551</b>	
		Drawn	Date	
		Scale	2016-08-16	
		1:29	Est. weight	
		Sheet Number	621,3 kg	