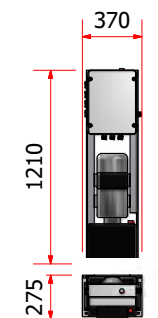
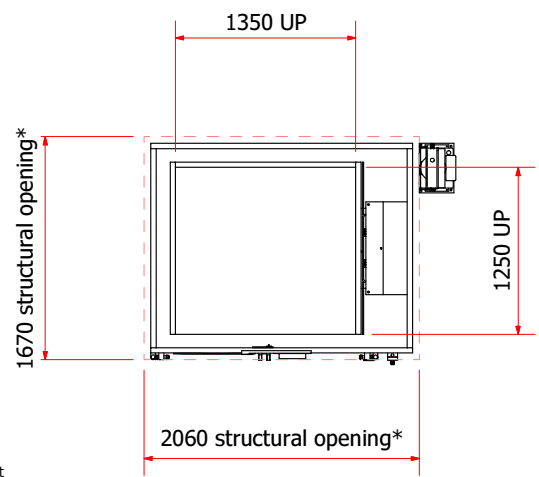


Power pack stand detail



Site requirements:



- MezzLift details:**
- 250 kg (MWL)
 - No. of stops: 2
 - Ground to 1st floor height: 3985 (inc sump)
 - 1st to 2nd floor height: 0 mm
 - Usable platform size: 1350 (w) x 1250 (d) x 900 (h)
 - Gate locking system: Electrically Interlocked
 - **Hold to run**, push button controls at both levels
 - Floor mounted, no pit required
 - Self-supporting mesh shaft
 - Finish - **Matt Black**

Electrical supply requirements
 240 V, 20 Amp, Single phase supply terminated in a double pole isolator at lower level

Drawn By: Thomas.Linnell		Checked By:	Approved by - Date	Quantity	Customer Ref.	PH Job Number
Title: Sterling Furniture - Edinburgh - MezzLift 250 kg Guard Frame Tower		Date 13/02/2015		Design State WorkInProgress	Dimensions mm	Scale on A3 1:40
Finish Matt Black		Projection ⊕ ⊖		Edition A	Sheet Number 2 of 23	
Drg No. 81792_MEZZI_GF_MASTER.iam		Part No. GF_MASTER		Reference 81792		

GH = Gate height
 DH = Dock height
 UP = Usable platform
 * Minimum structural opening / sump size if required