

A

B

C

D

E

F

A

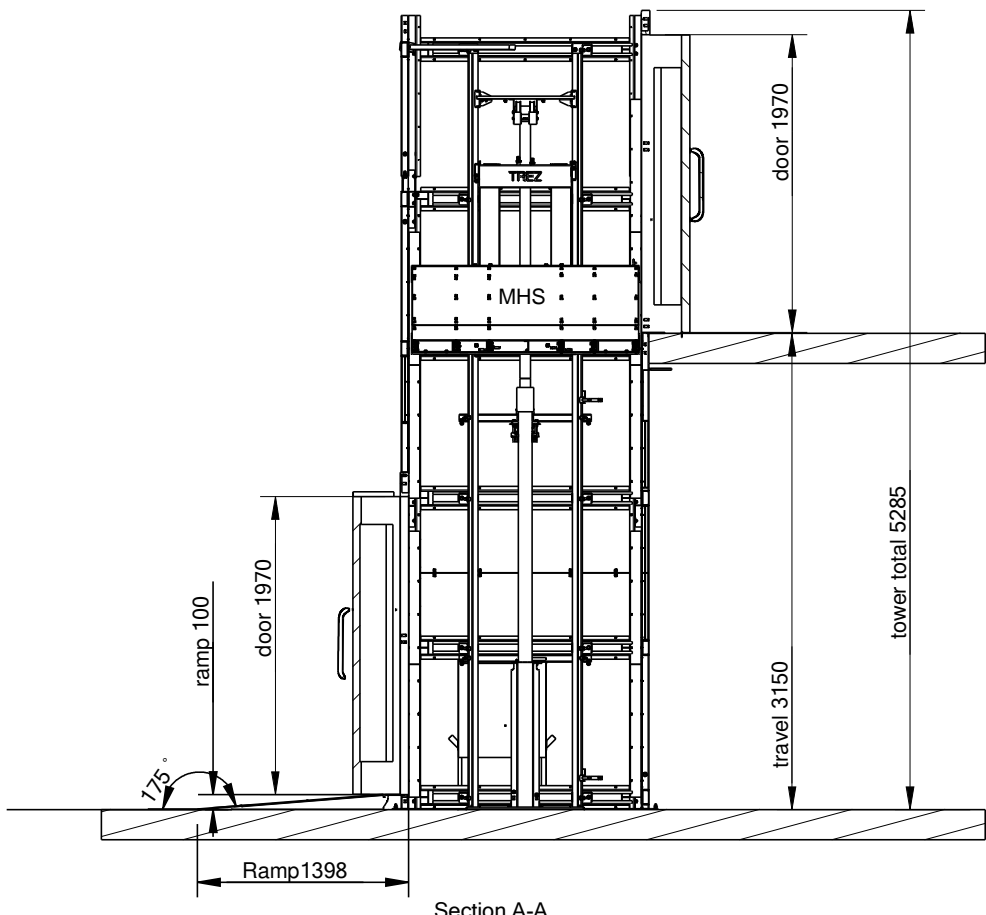
B

C

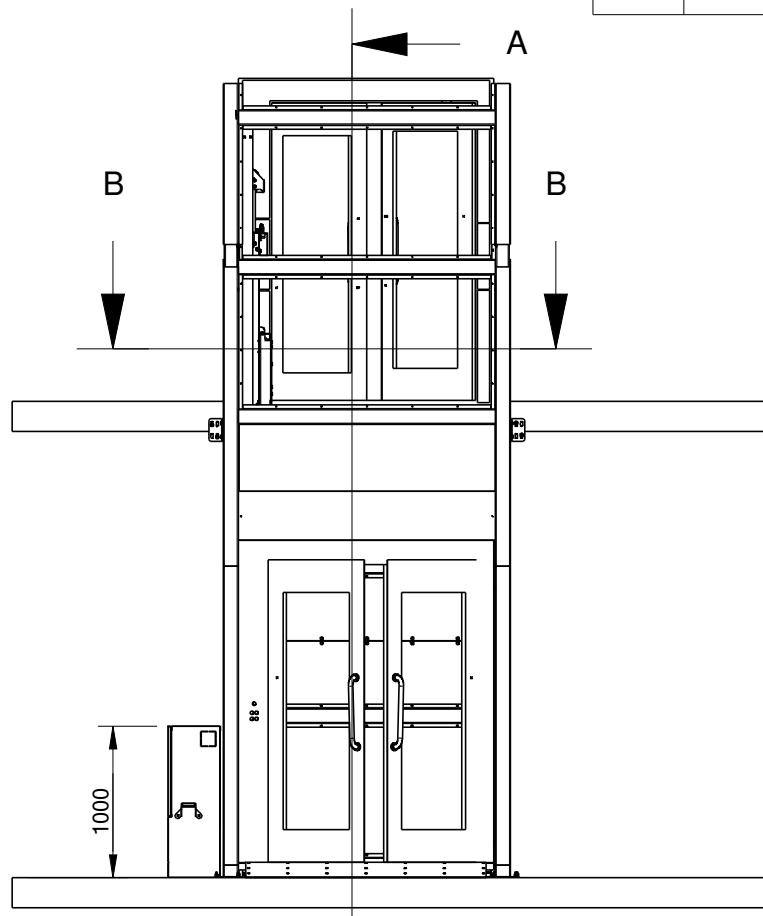
D

E

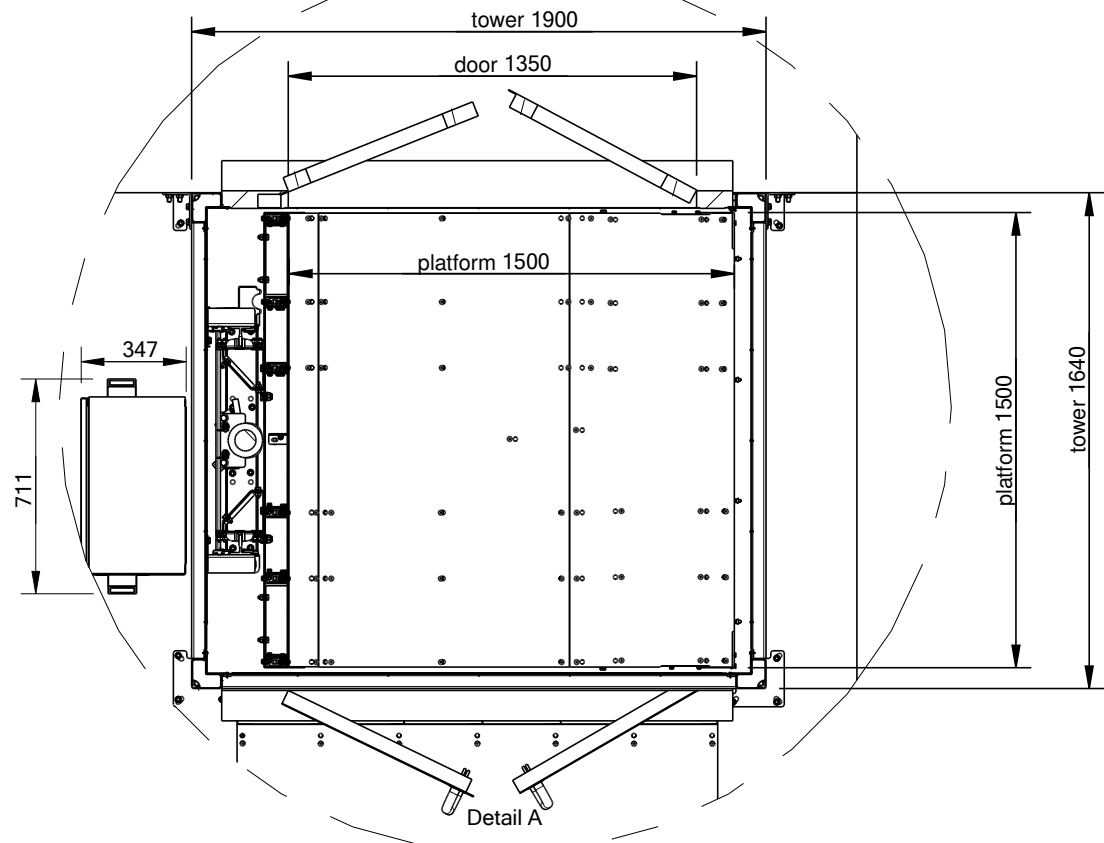
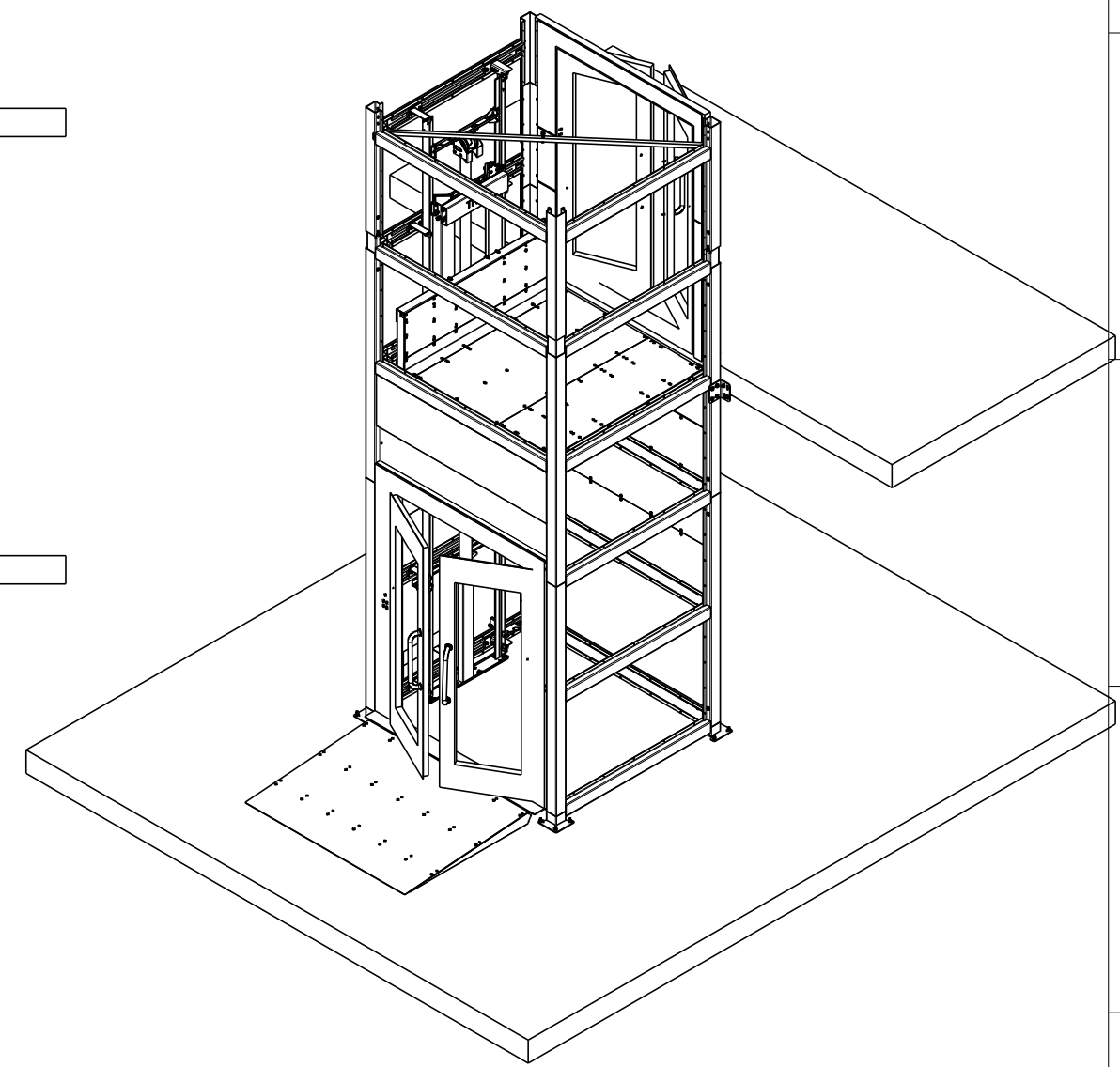
F



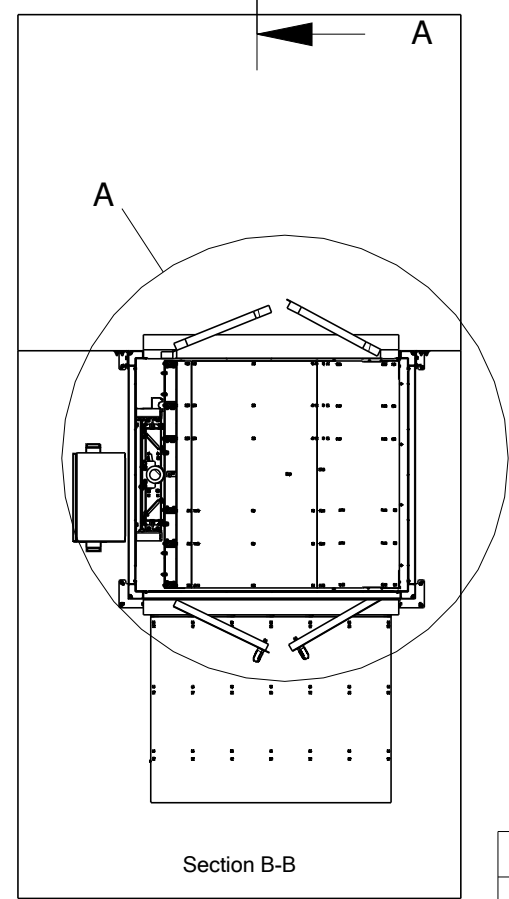
Section A-A



Section B-B



Detail A



Signed as correct

Name.....

Position.....

Date.....

Standard Lift and Ramp - it is the clients responsibility to protect the whole lift and electrical components from any wash down, water egress.

Load 500 kg
Speed 0.13 m/s
Tower collar RAL 9010
Platform color Cav RED

Itemref	Quantity	Title/Name, designation, material, dimension etc	Article No./Reference	
Drawn by M Hancock	Checked by		Date 17.11.2016	Scale
Manual Handling Solutions 58 Paige Close, Watlington Kings Lynn, Norfolk PE33 0TQ Tel 01553811977 sales@manualhandlingsolutions.co.uk		Fitted with "press to Go" controls / Power Pack fitted upper level McCormick Goods only lift 500 Edition Sheet		