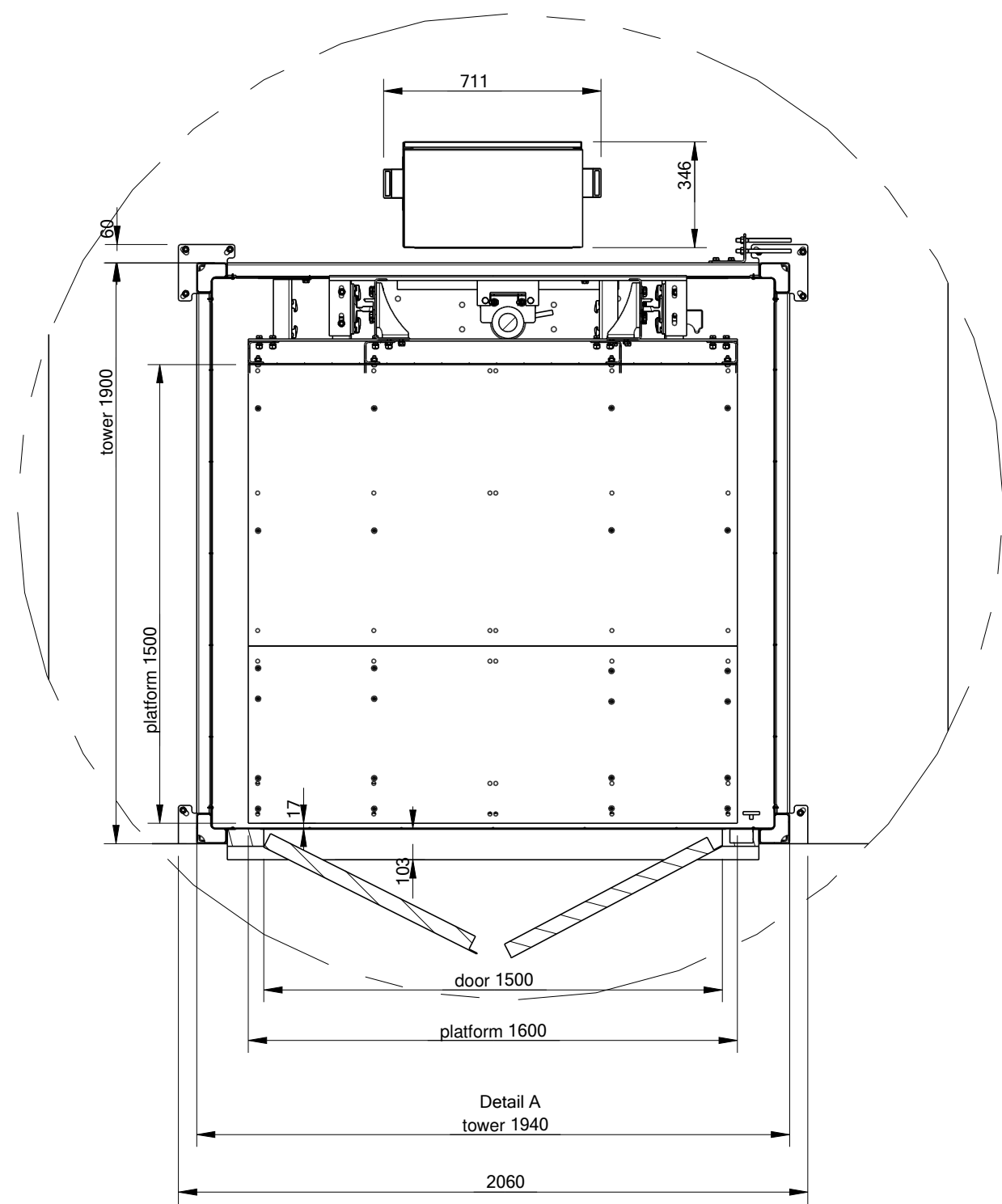
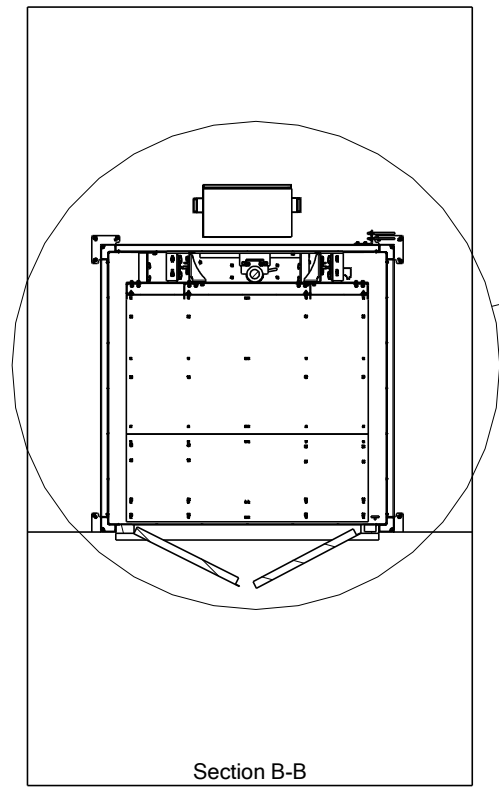


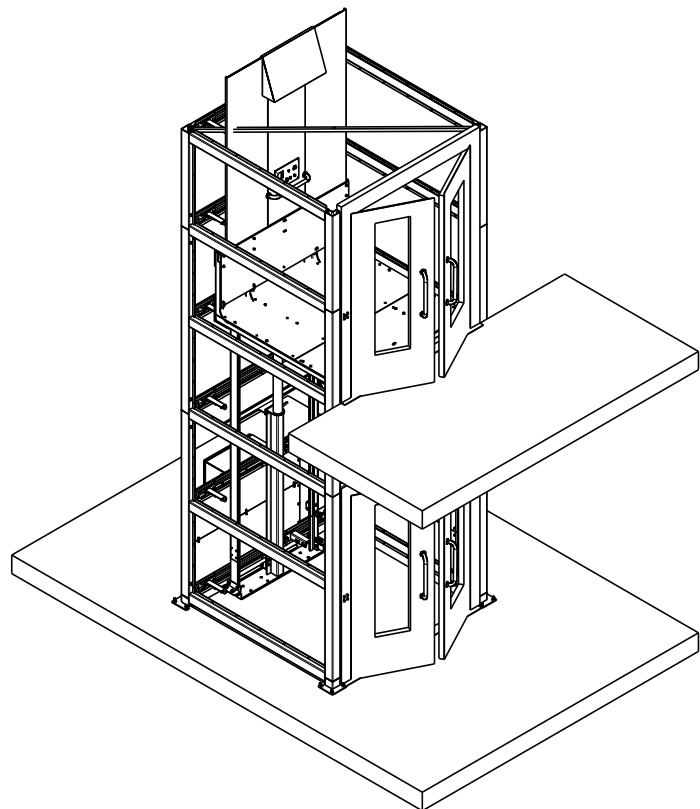
Section A-A




Detail A
tower 1940



Section B-B



Itemref	Quantity	Title/Name, designation, material, dimension etc		Article No./Reference	
Drawn by Martin Hancock	Checked By	Approved by - date	File name	Date 30.8.2016	Scale
 Manual Handling Solutions 58 Paige Close, Watlington Kings Lynn, Norfolk PE33 0TQ Tel 01553811977 sales@manualhandlingsolutions.co.uk			Tower RAL 7024 Platform RAL 3020 152 UK Holistic Trader Norfolk		Edition Sheet