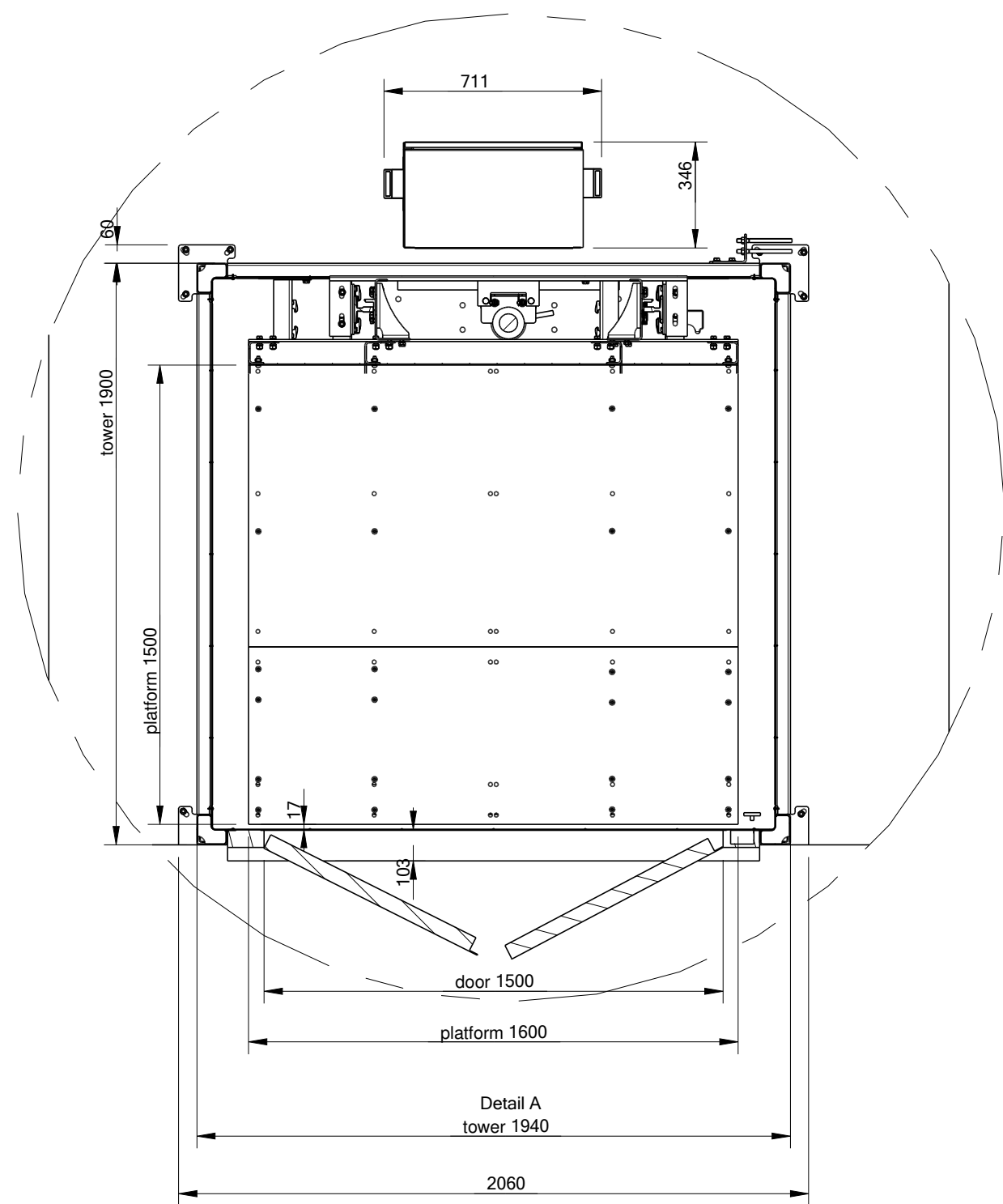
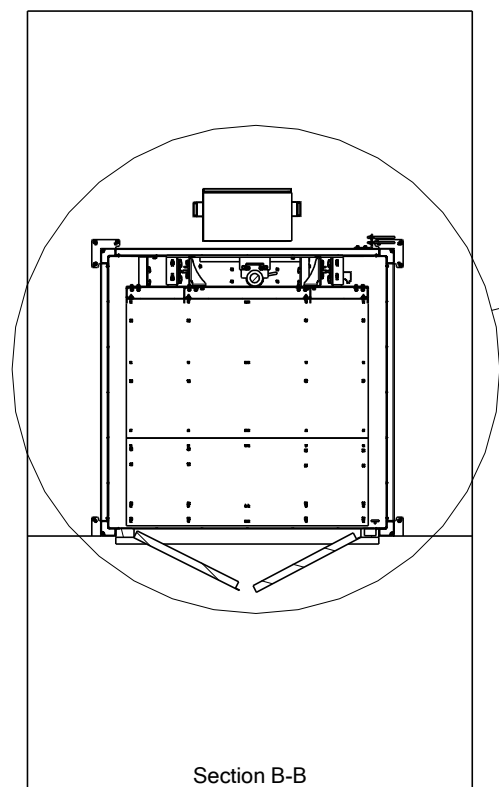


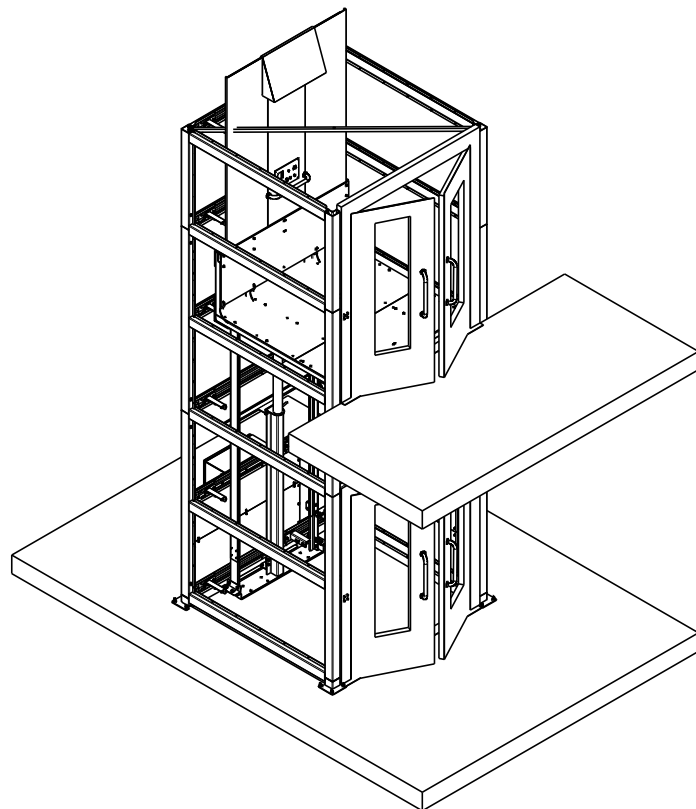
Section A-A



Detail A
tower 1940



Section B-B



Itemref	Quantity	Title/Name, designation, material, dimension etc	Article No./Reference
Drawn by Martin Hancock	Checked By	Approved by - date	File name
			Date 30.8.2016
			Scale
		Manual Handling Solutions 58 Paige Close, Watlington Kings Lynn, Norfolk PE33 0TQ Tel 01553811977 sales@manualhandlingsolutions.co.uk	Tower RAL 7024 Platform RAL 3011 "Press to Go" controls Man on Board controls for Goods and 1 trained attendant Edition Sheet
		152 UK Holistic Trader Norfolk	