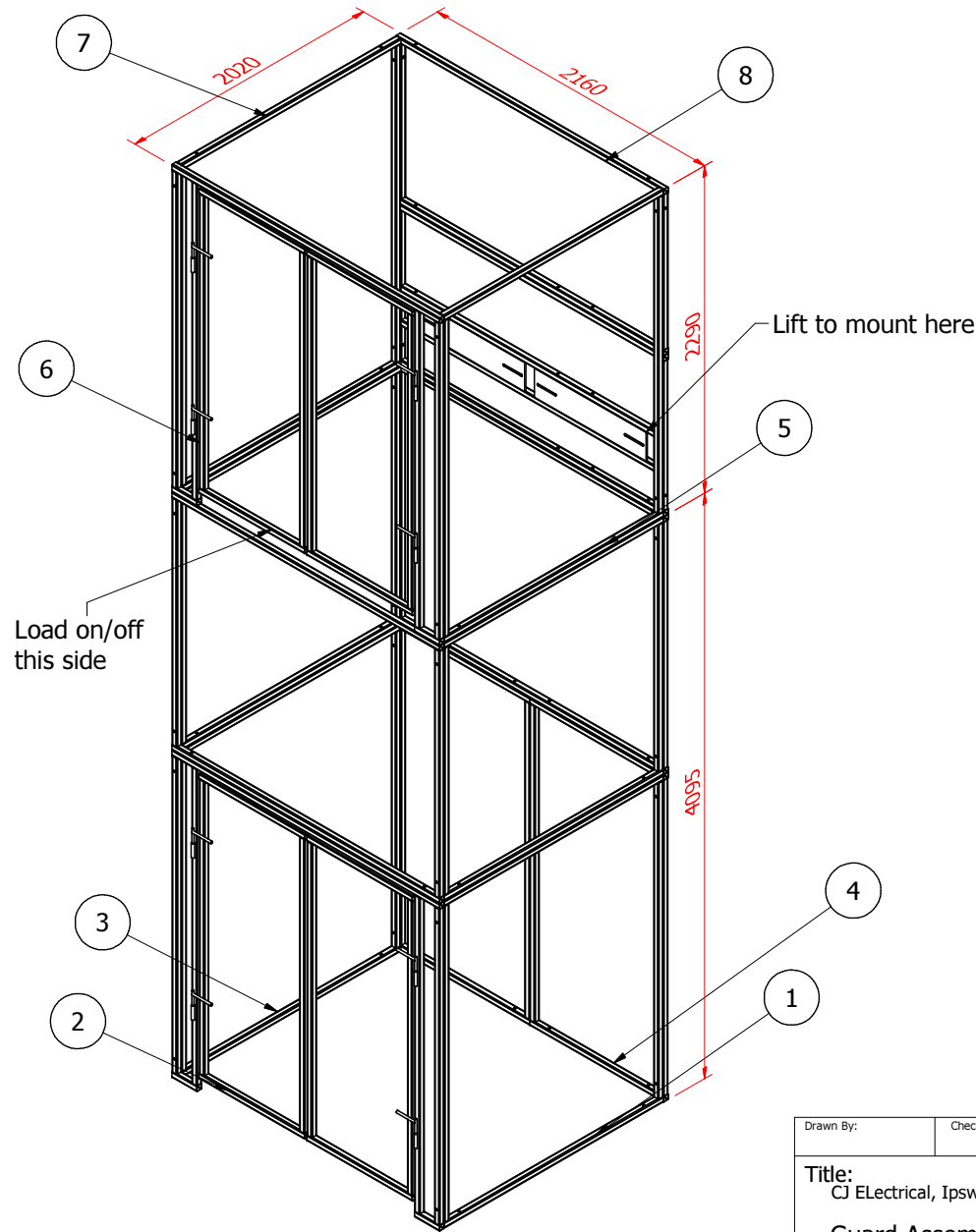


Parts List		
ITEM	QTY	PART NUMBER
1	1	CJE Guard 1
2	1	CJE Guard 2
3	1	CJE Guard 3
4	1	CJE Guard 4
5	1	CJE Guard 5
6	1	CJE Guard 6
7	1	CJE Guard 7
8	1	CJE Guard 8



Signed as correct

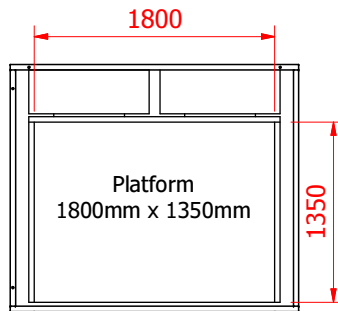
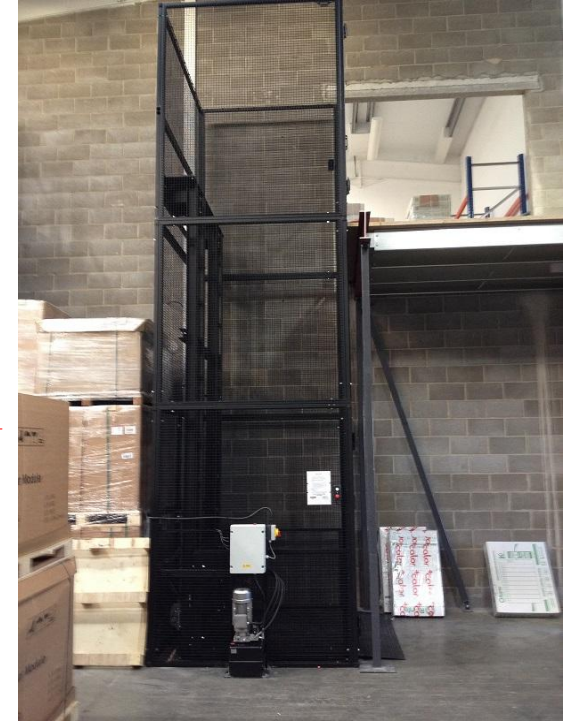
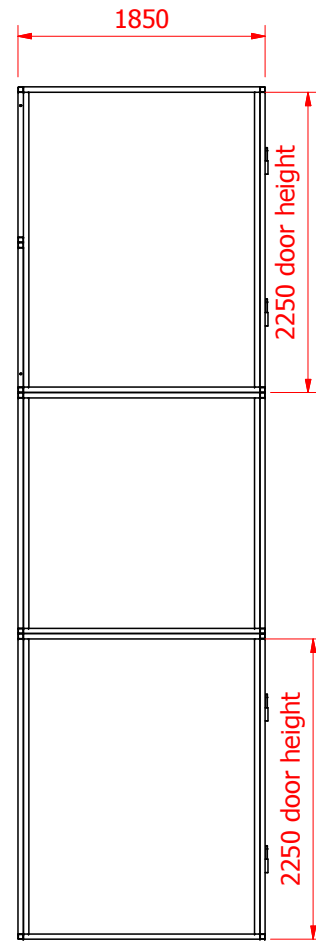
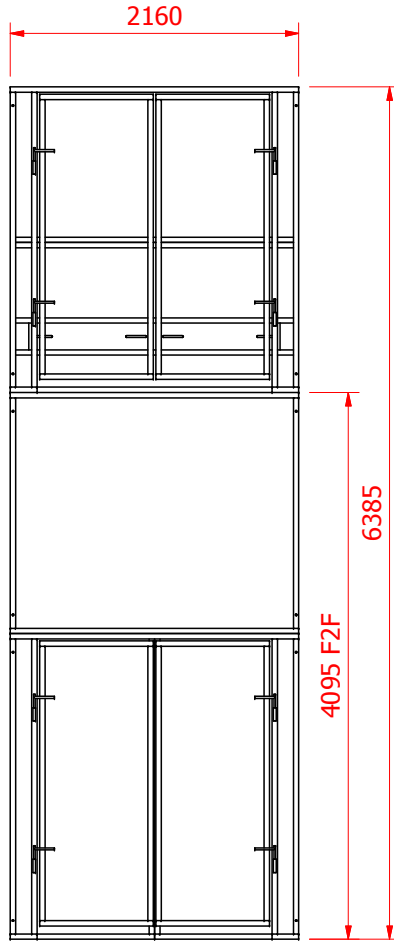
Name

Date

Lift Details
 F.2.F 4095mm
 Full Electrical Interlocks
 Doubles gates at both level
 All pannels mesh filled
 Fixed ramp
 1800mm x 1350mm platform

Electrical Supply Requ.
 415v 2.2kW 3phs and neural
 terminated in an isolator at lower level

Drawn By:	Checked By:	Approved by - Date	Quantity 1 Off	Customer Ref.	PH Job Number
Title: CJ Electrical, Ipswich			File Location	Date 10/10/2013	Design State WorkInProgress
Guard Assembly			Material As Per Part	Dimensions	
Manual Handling Solutions 58, Paige Close, Watlington Kings Lynn, Norfolk PE33 0TQ			Drg No. CJE Guard Frame.iam	Scale on A3	
			CJE Guard Frame	Projection <input checked="" type="checkbox"/> 1st Angle <input type="checkbox"/> 3rd Angle	
			Edition	Sheet Number	



Lift Details
 F.2.F 4095mm
 Full Electrical Interlocks
 Doubles gates at both level
 All pannels mesh filled
 Fixed ramp
 1800mm x 1350mm platform

Electrical Supply Requ.
 415v 2.2kW 3phs and neural
 terminated in an isolator at lower level

Customer Ref.		PH Job Number	
Drawn By:	Checked By:	Approved by - Date	Quantity 1 Off
Date 10/10/2013		Design State WorkInProgress	
File Location		Dimensions	
Material As Per Part		Scale on A3	
Projection <input checked="" type="checkbox"/> 1st Angle <input type="checkbox"/> 3rd Angle		Sheet Number	
Manual Handling Solutions 58, Paige Close, Watlington Kings Lynn, Norfolk PE33 0TQ		Drg No. CJE Guard Frame.iam	Edition
		CJE Guard Frame	