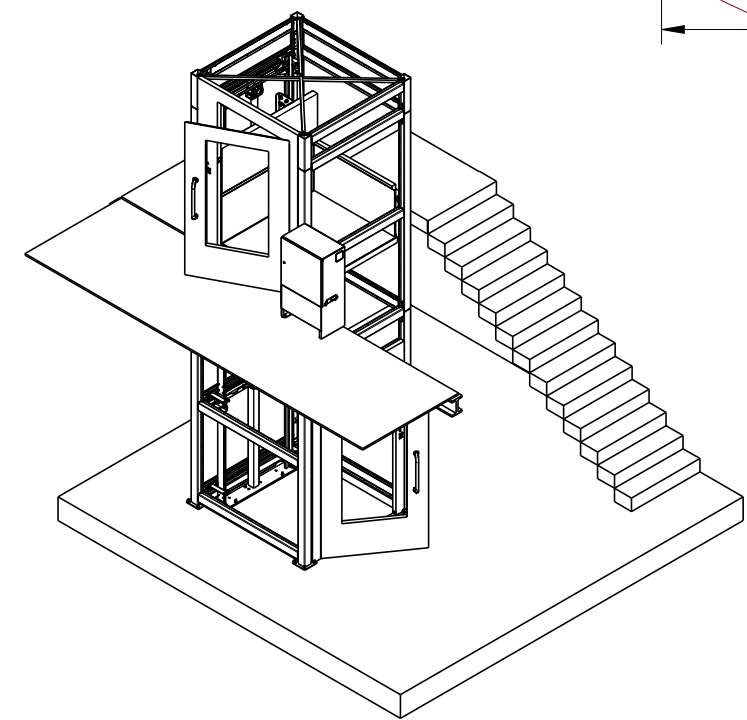
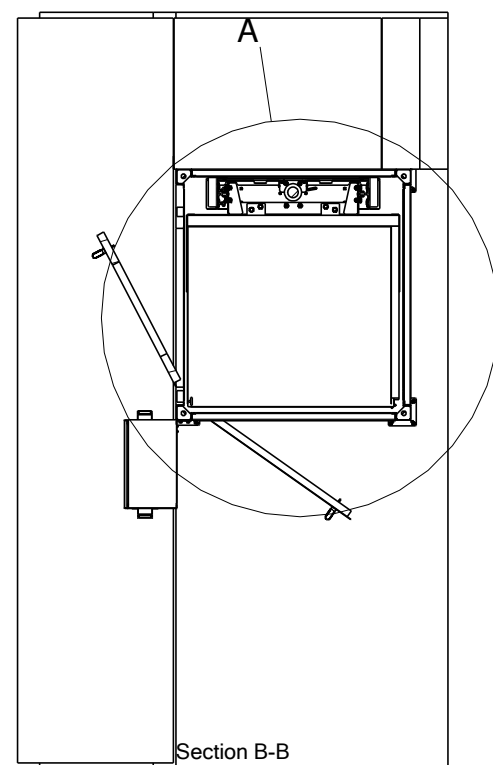
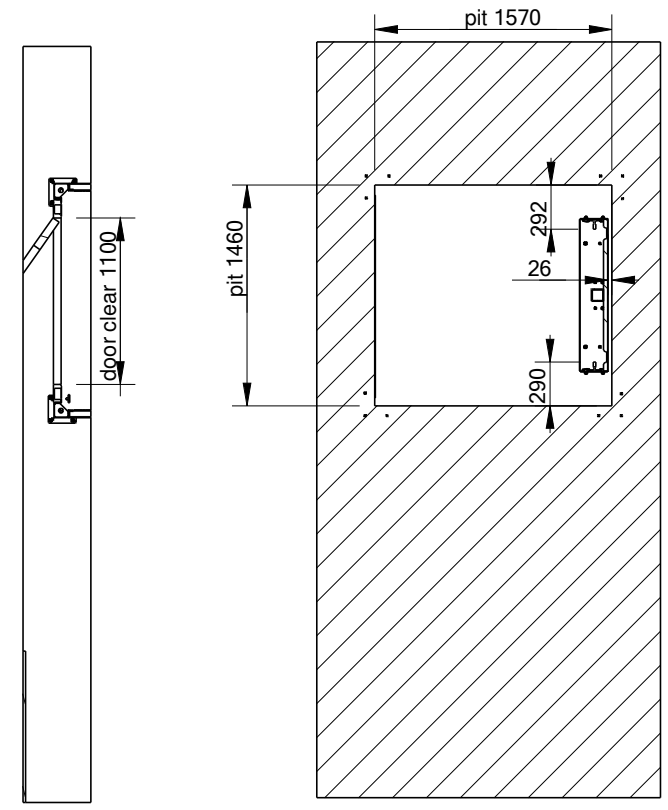
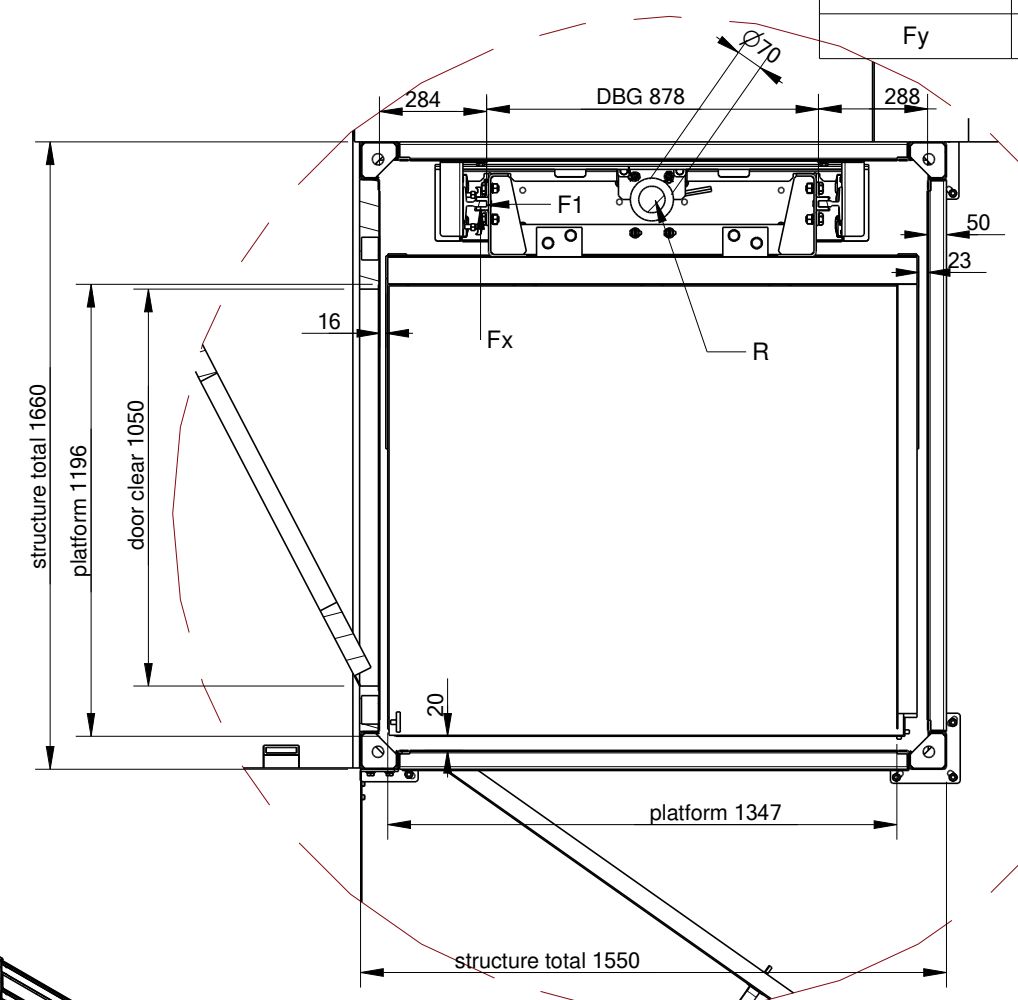
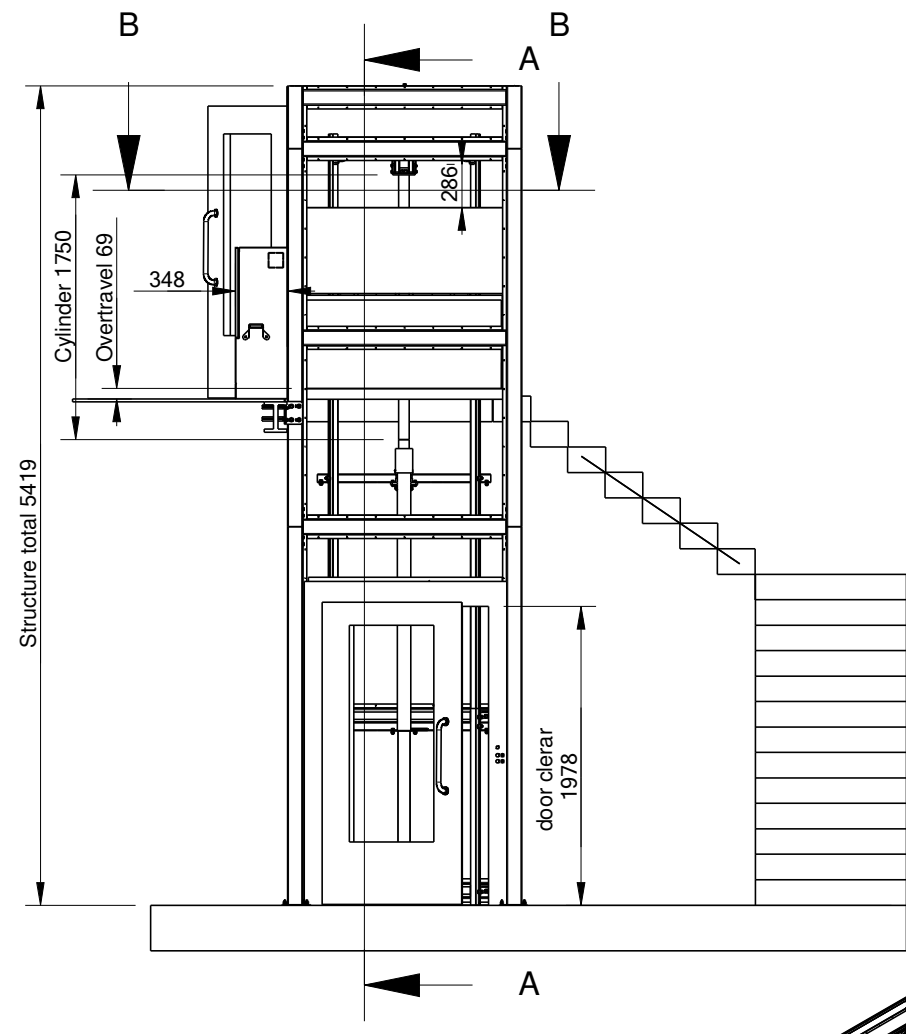
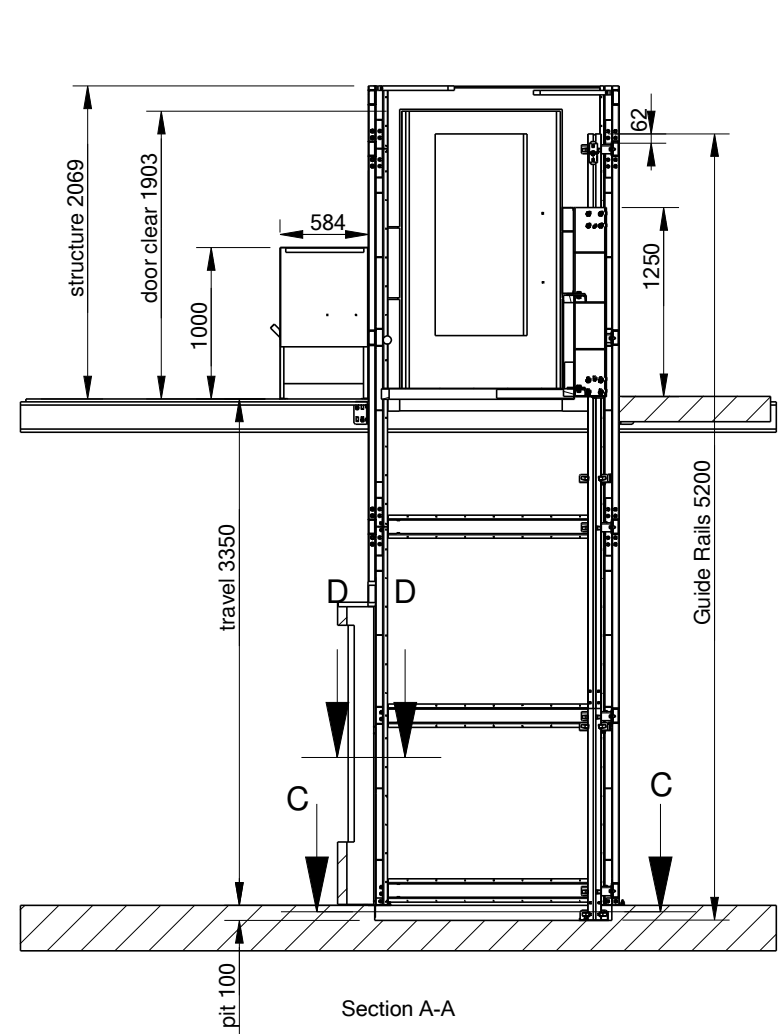


RevNo	Revision note	Date	Signature	Checked
-------	---------------	------	-----------	---------

R	15500 N
Fx	8908 N
Fy	7725 N



Without roof.  
 Operation "press to go".  
 Platform collar Cav RED.  
 Structure collar RAL7024.  
 Shaft cladding - sheet metal RAL7024.

Itemref	Quantity	Title/Name, designation, material, dimension etc	Article No./Reference
Drawn by	Checked by	Approved by - date	File name
			Date 27.02.2016
		Manual Handling Solutions 58, Paige Close, Watlington Kings Lynn, Norfolk PE33 0TQ Tel 01553811977 sales@manualhandlingsolutions.co.uk	Goods only Speed 0.13 m/s, Load 1000 Power 2.2 kW, 3x400 VAC
			Edition Sheet 1/1