

1

2

3

4

5

6

7

8

RevNo	Revision note	Date	Signature	Checked
-------	---------------	------	-----------	---------

A

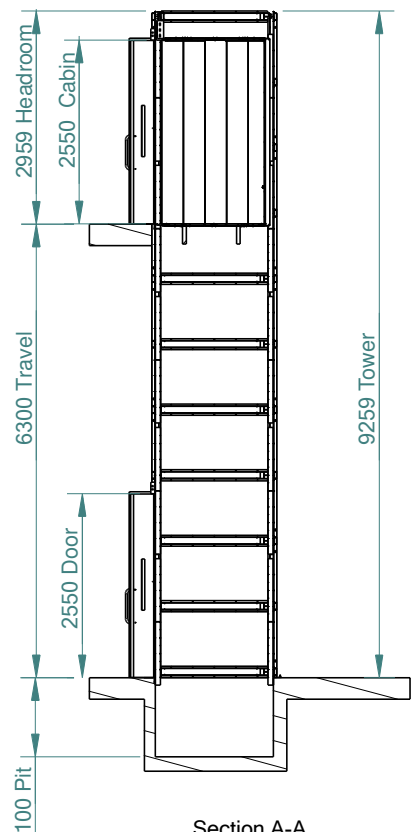
B

C

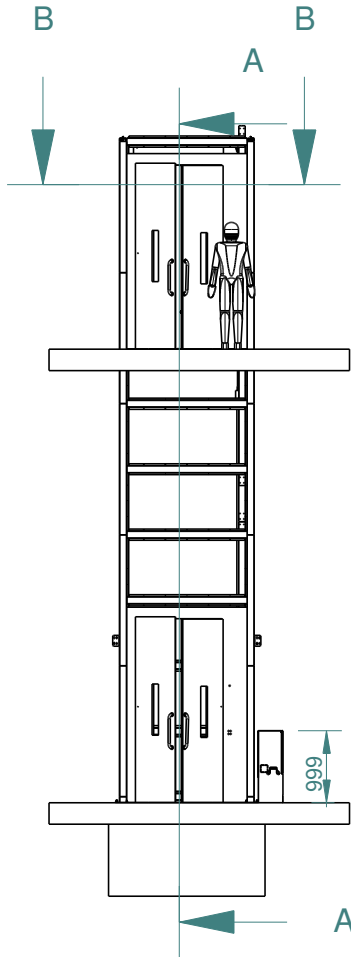
D

E

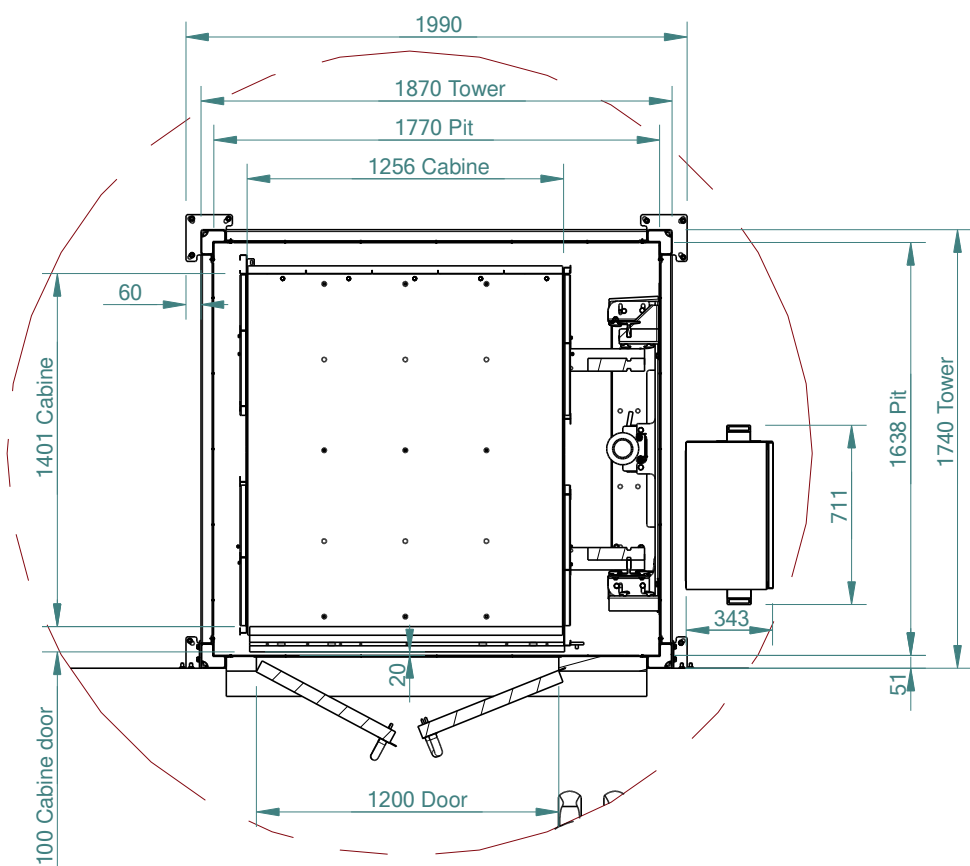
F



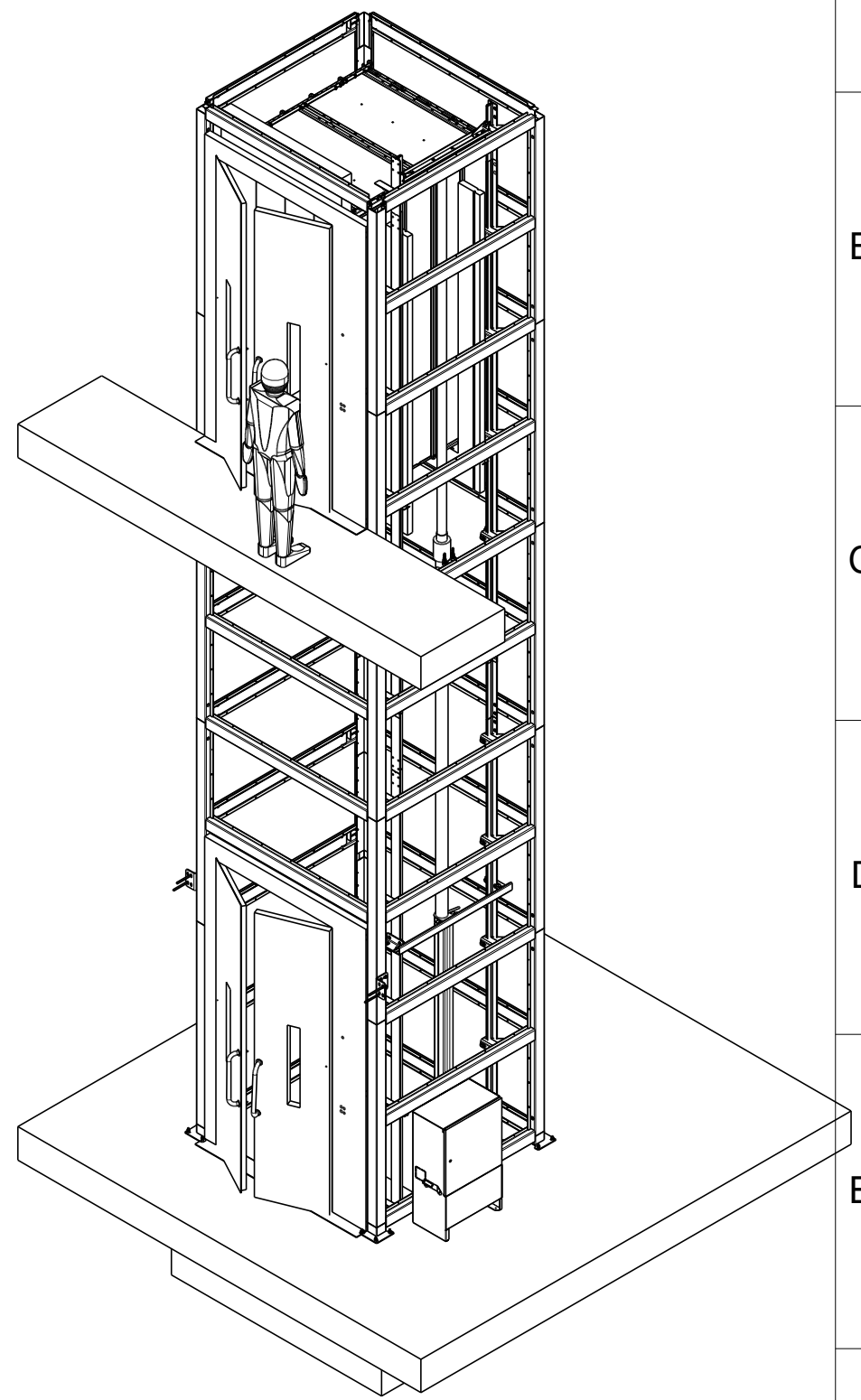
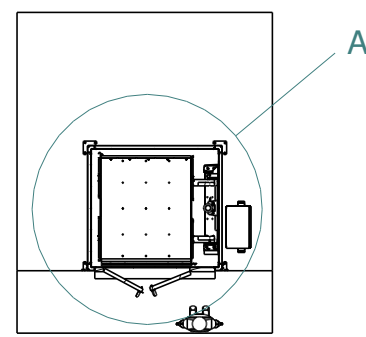
Section A-A



Section B-B



Detail A



Itemref	Quantity	Title/Name, designation, material, dimension etc	Article No./Reference		
Drawn by Martin Hancock	Checked by	Approved by - date	File name	Date	Scale
Manual Handling Solutions 58 Paige Close, Watlington Kings Lynn, Norfolk PE33 0TQ Tel 01553811977 sales@manualhandlingsolutions.co.uk		Nampak Plastics - single pallet lift		Edition	Sheet
		200kg Goods only lift (Ireland)			

1

2

3

6

7

8

A

B

C

D

E

F