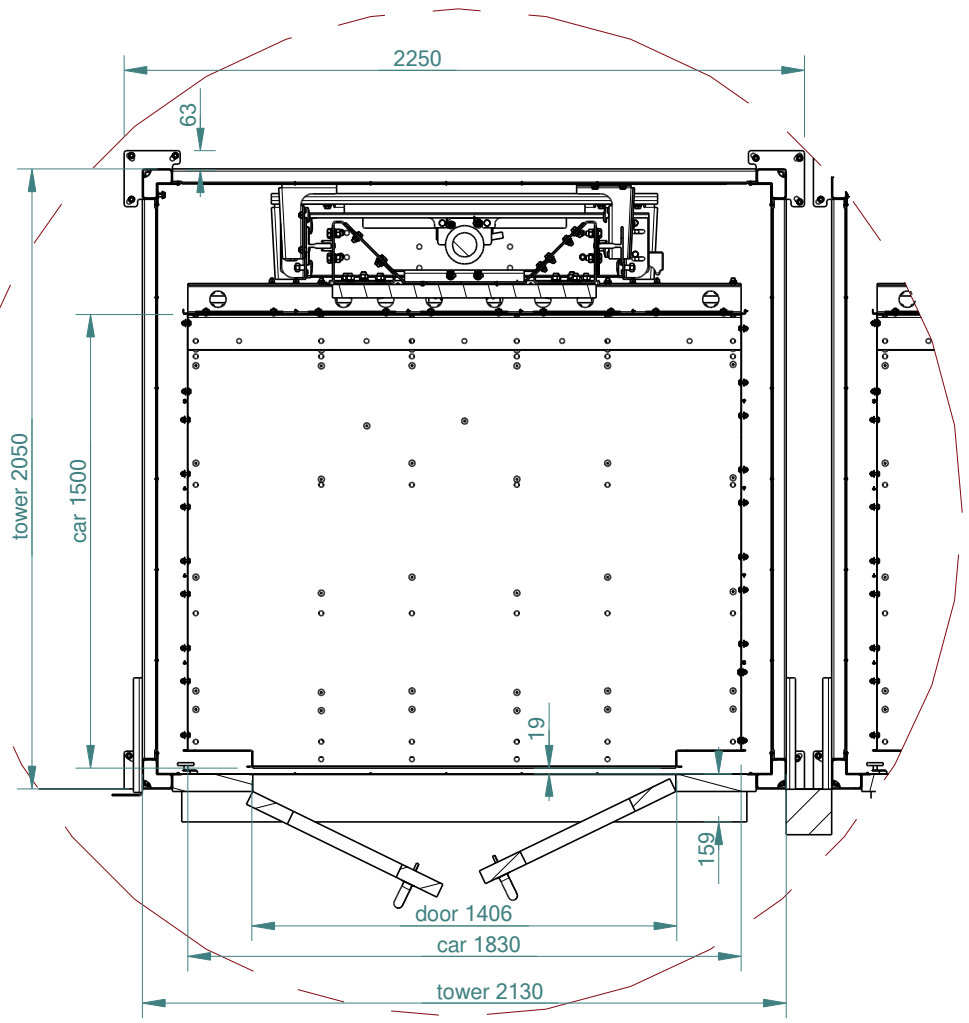
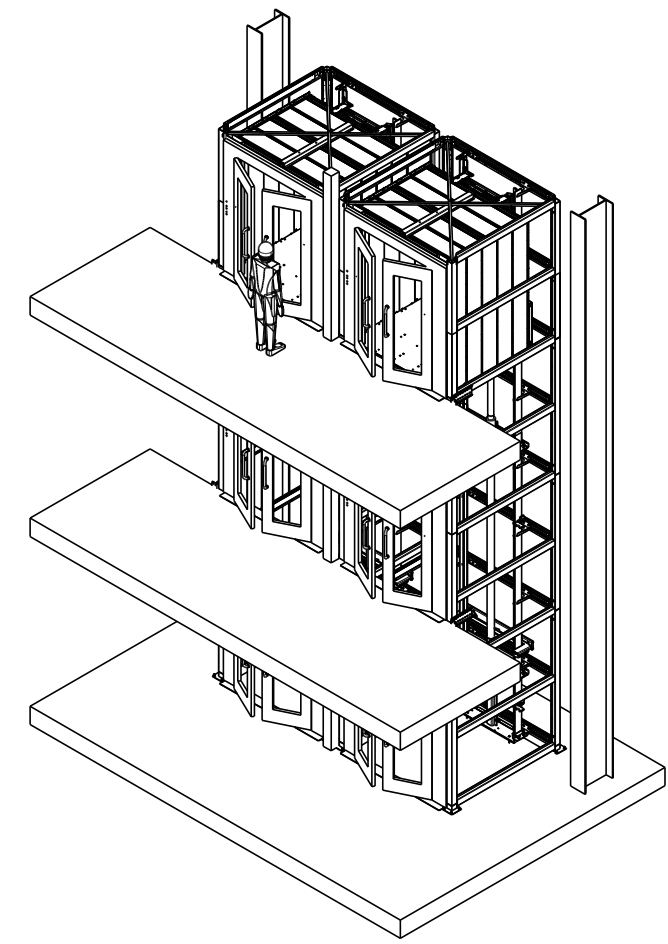
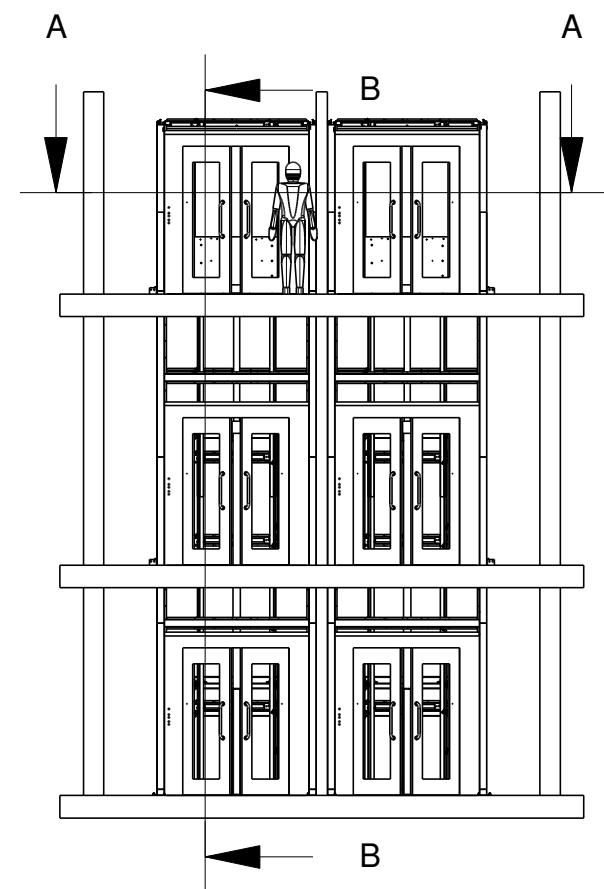
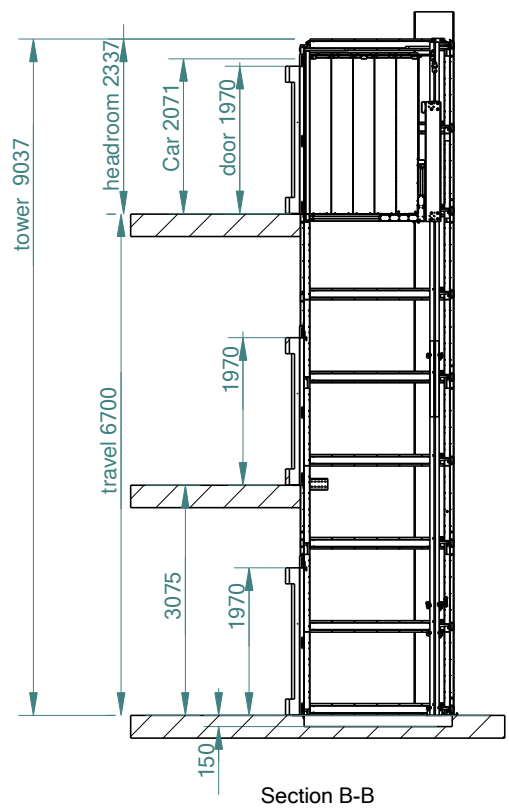


RevNo	Revision note	Date	Signature	Checked
-------	---------------	------	-----------	---------

A  
B  
C  
D  
E  
F

A  
B  
C  
D  
E  
F



Itemref	Quantity	Title/Name, designation, material, dimension etc	Article No./Reference		
Drawn by	Checked by	Approved by - date	File name	Date	Scale
Martin Hancock				21.3.2017	
Manual Handling Solutions 58 Paige Close, Watlington Kings Lynn, Norfolk PE33 0TQ Tel 01553811977 sales@manualhandlingsolutions.co.uk			3 Stop 1000kg Goods only lift with enclosed cabin Press to Go controls at each level		
			Edition	Sheet	