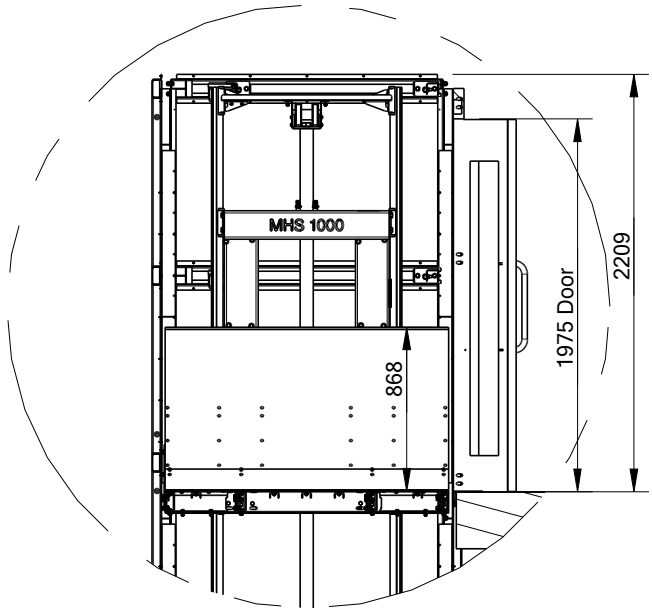
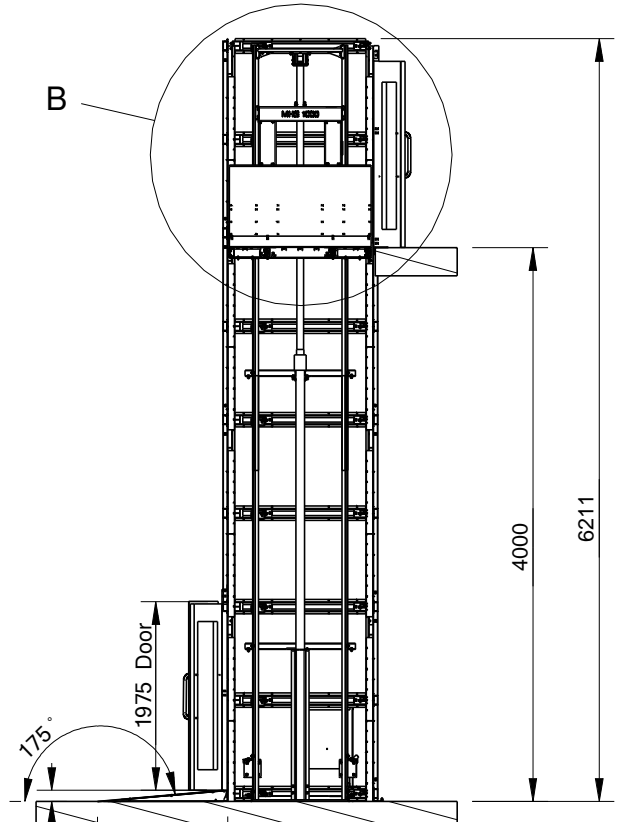


A
B
C
D
E
F

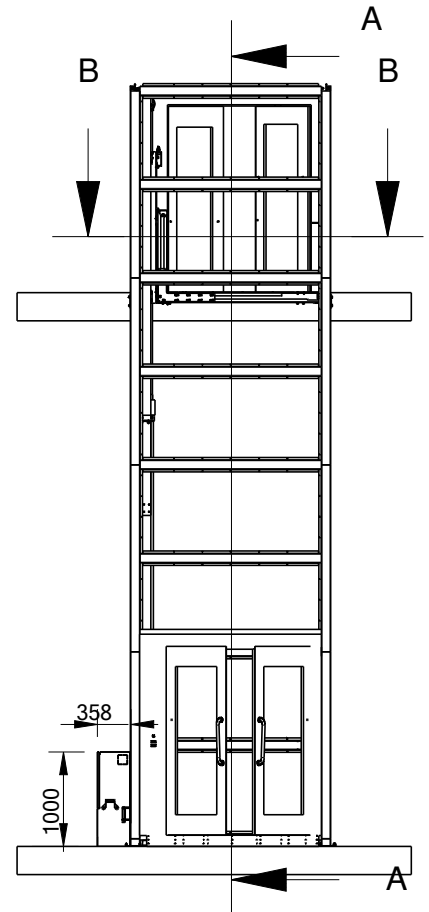
A
B
C
D
E
F



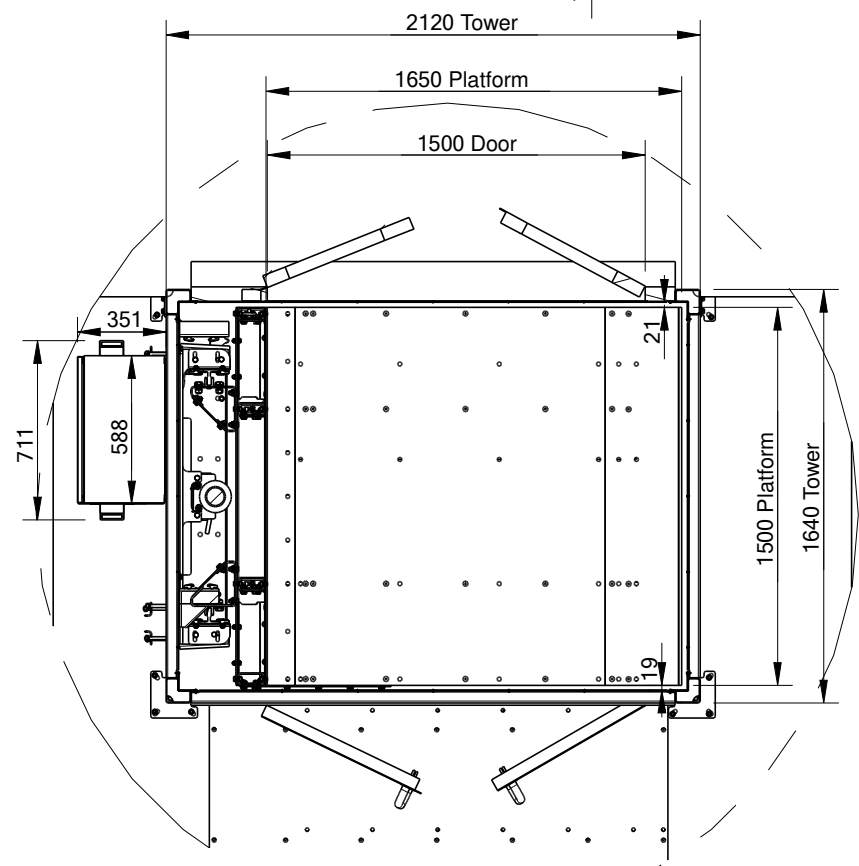
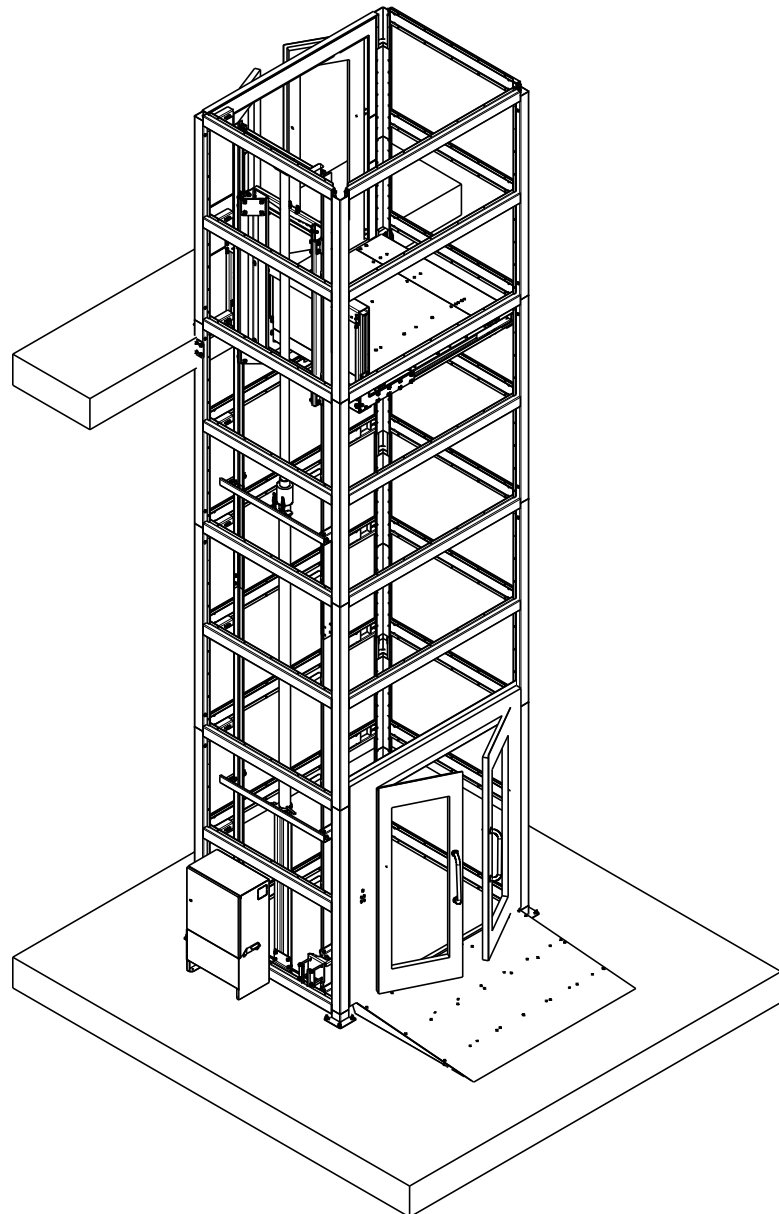
Detail B



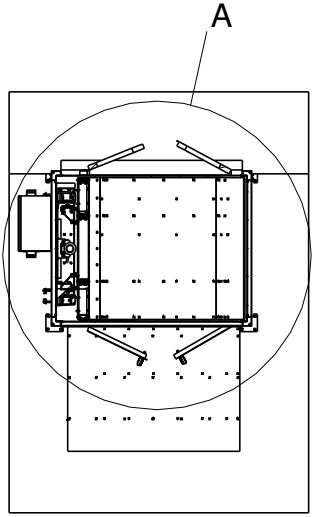
Section A-A




Section B-B



Detail A



Itemref	Quantity	Title/Name, designation, material, dimension etc		Article No./Reference	
Drawn by Martin Hancock	Checked by	Approved by - date	File name	Date 17.1.2017	Scale
 Manual Handling Solutions 58 Paige Close, Watlington Kings Lynn, Norfolk PE33 0TQ Tel 01553811977 sales@manualhandlingsolutions.co.uk			1000kg Goods only lift with Press to Go controls		
				Edition	Sheet