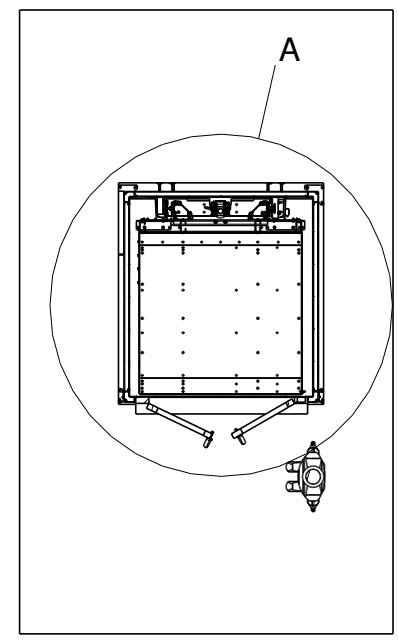
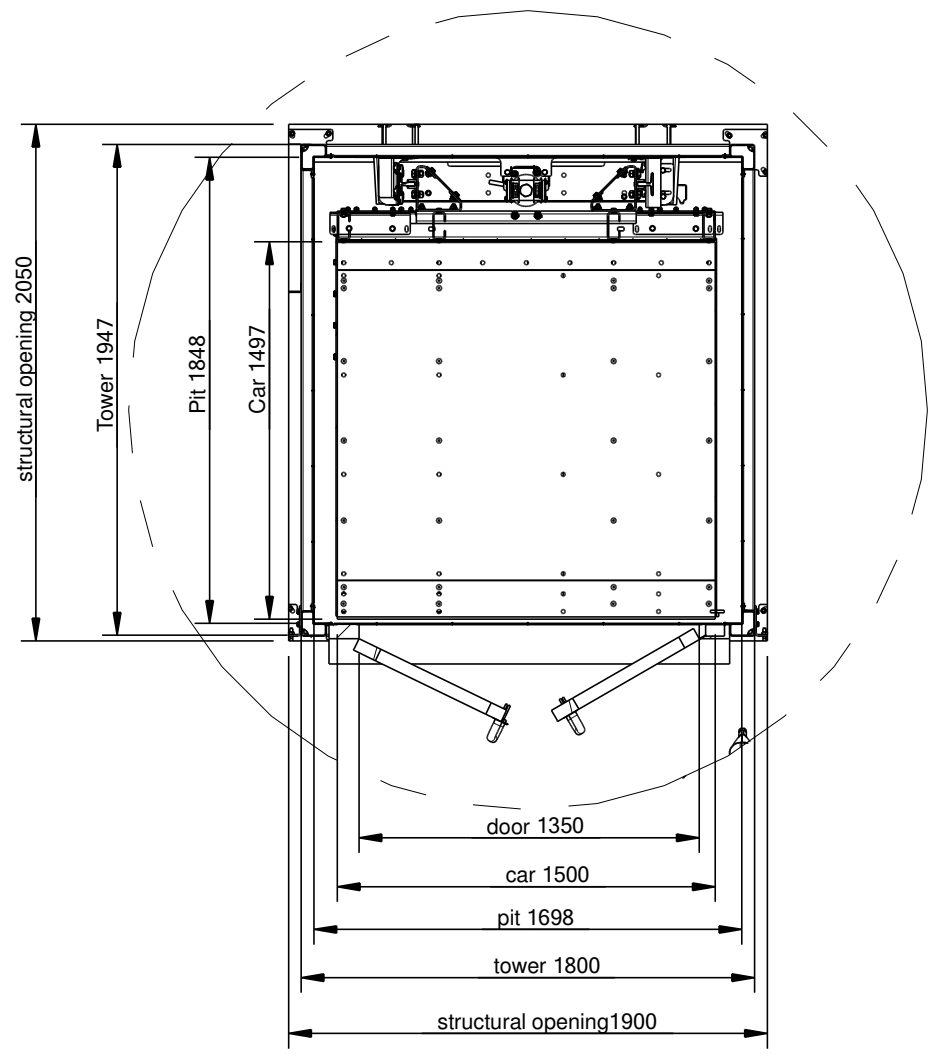
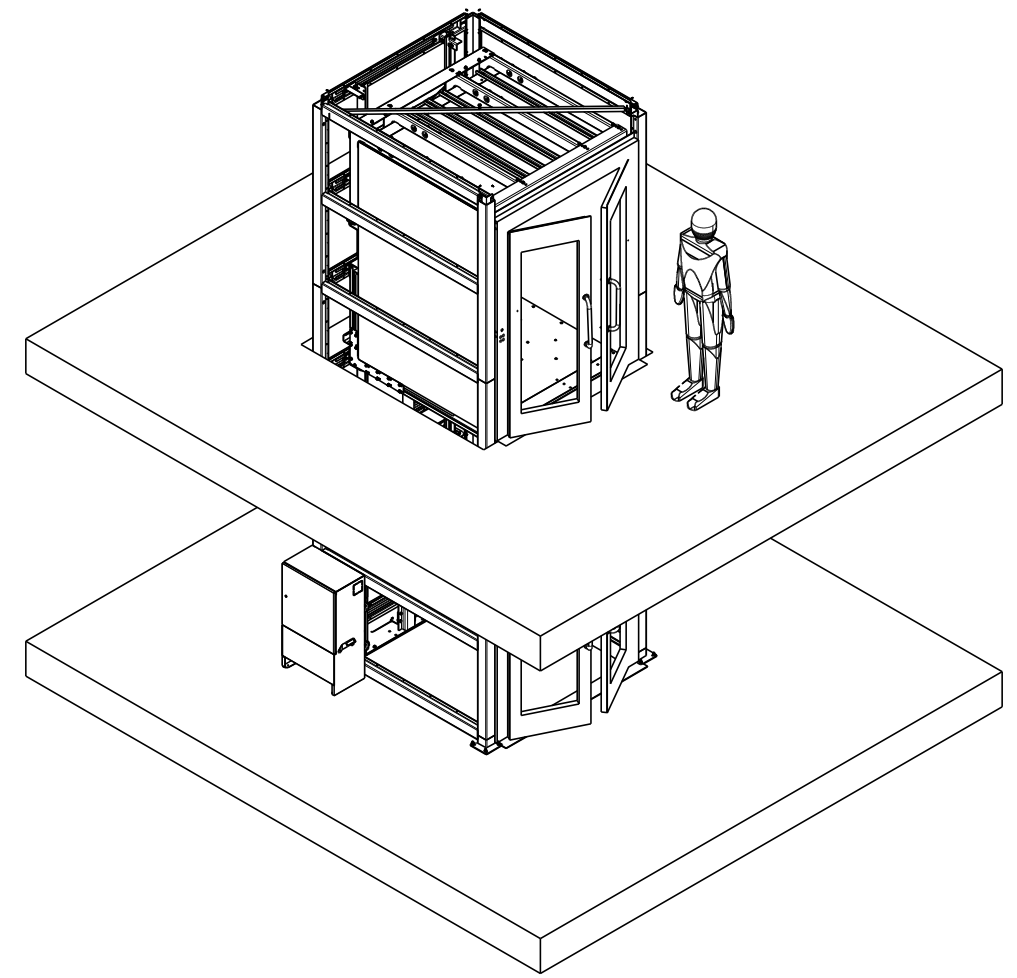
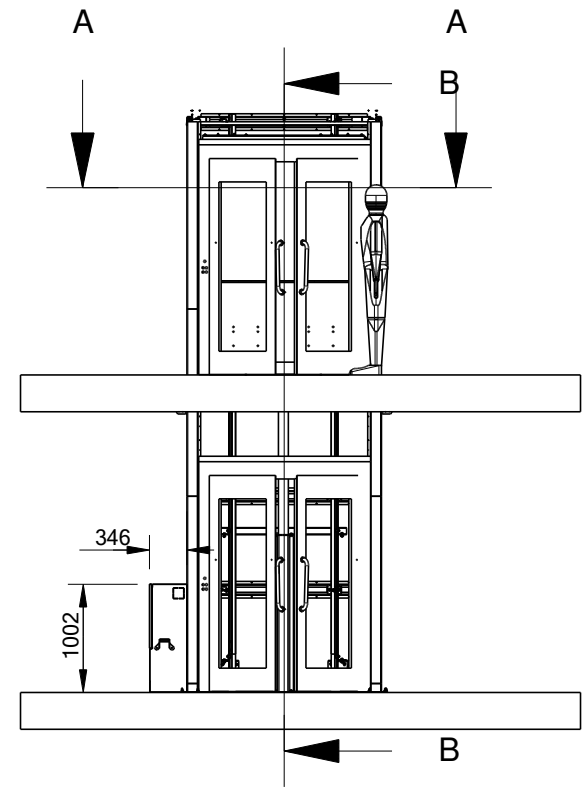
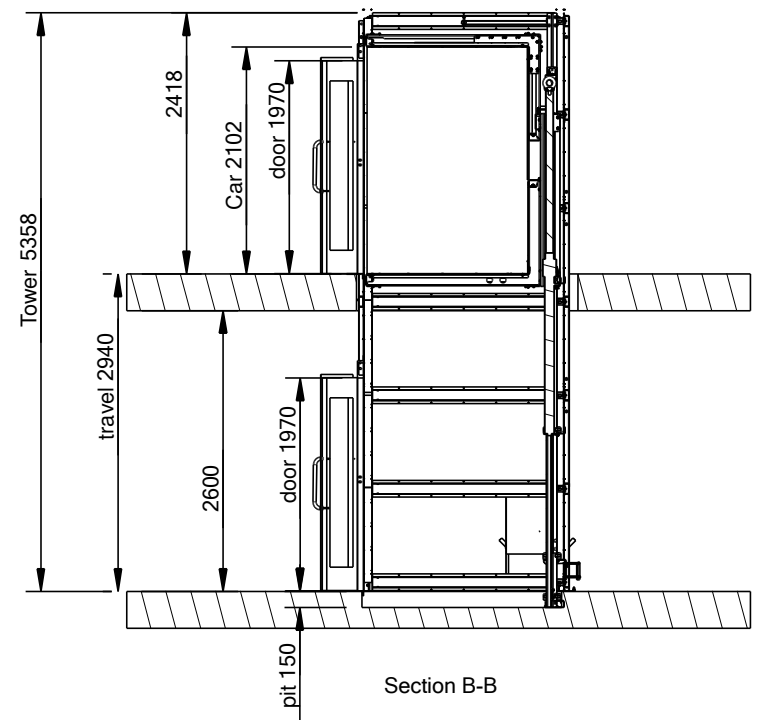


A
B
C
D
E
F

A
B
C
D
E
F



Itemref	Quantity	Title/Name, designation, material, dimension etc	Article No./Reference		
Drawn by Martin Hancock	Checked by	Approved by - date	File name	Date 23.2.2017	Scale
		Manual Handling Solutions 58 Paige Close, Watlington Kings Lynn, Norfolk PE33 0TQ Tel 01553811977 sales@manualhandlingsolutions.co.uk	1000kg Internal Goods Lift with Press to Go controls		
Bishops Stortford			Edition	Sheet	