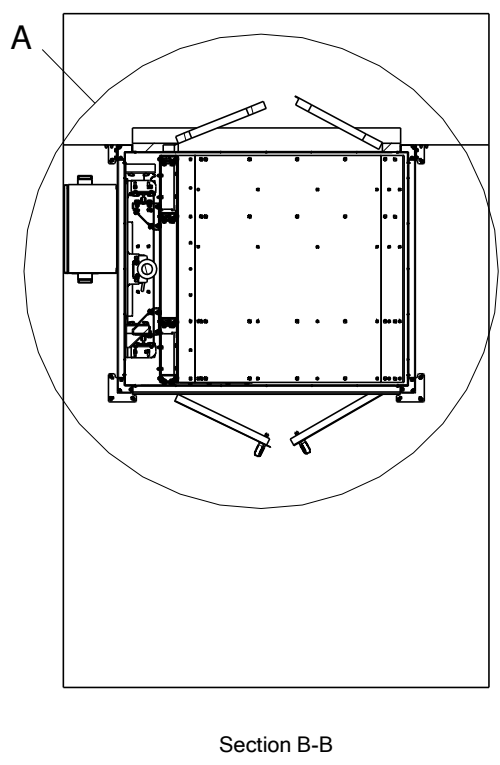
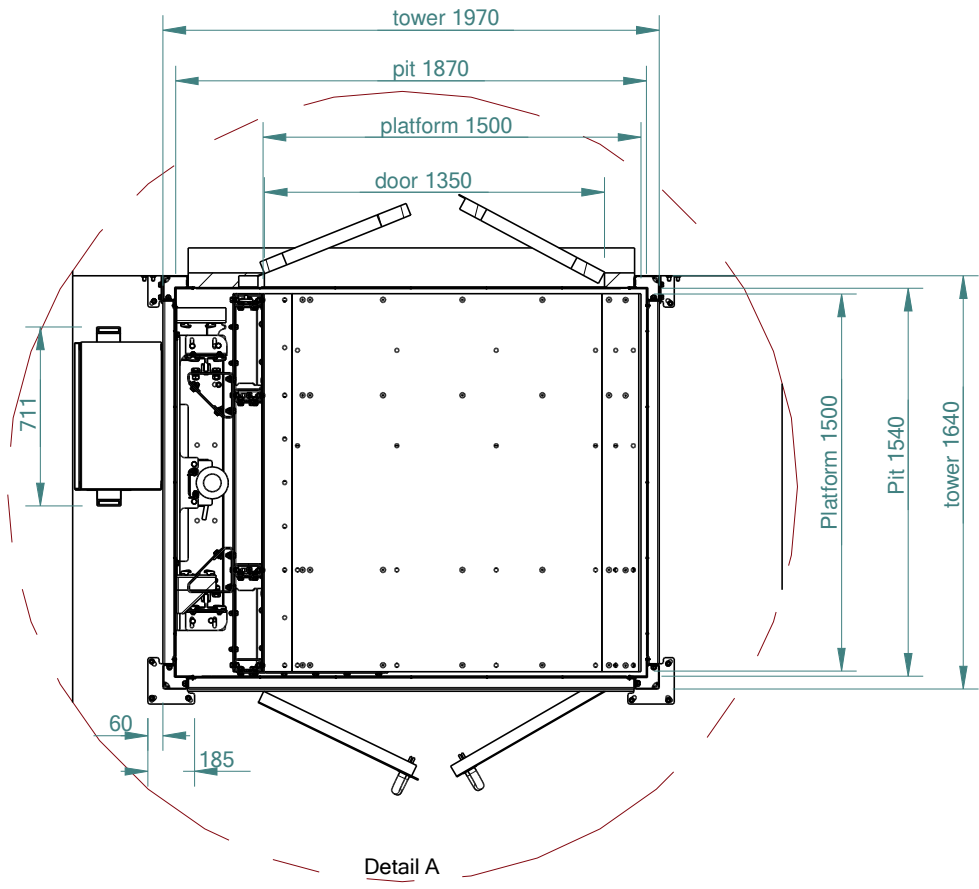
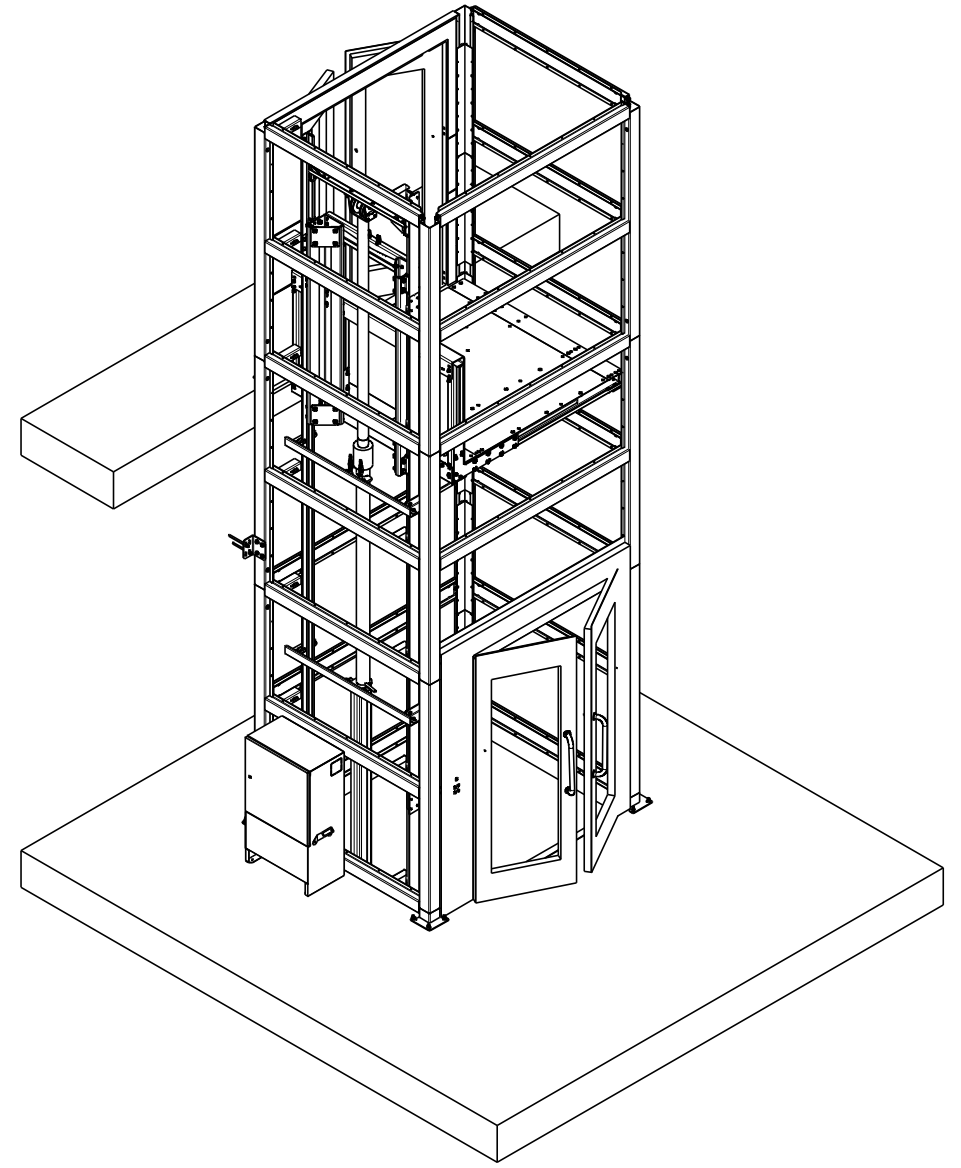
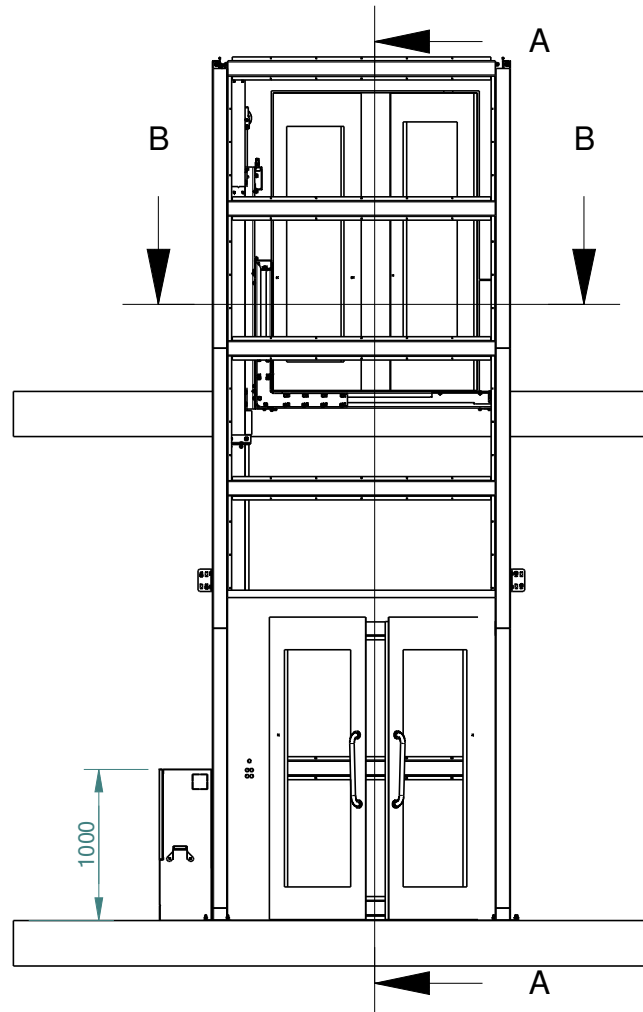
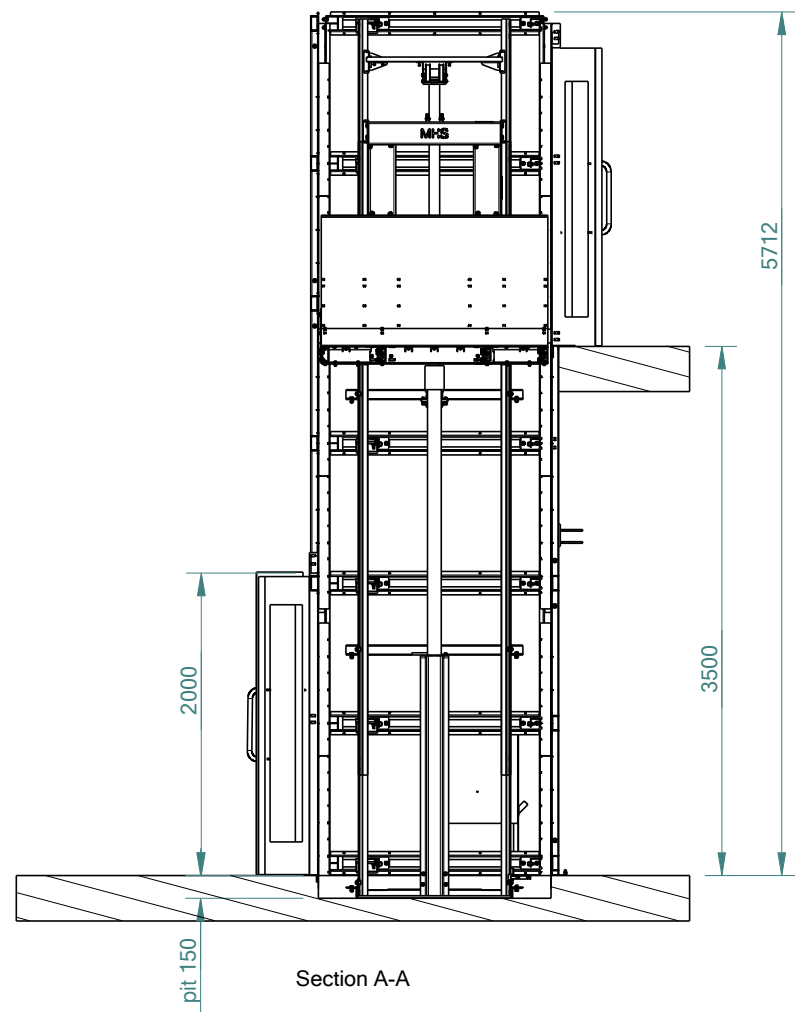


A  
B  
C  
D  
E  
F

A  
B  
C  
D  
E  
F



Itemref	Quantity	Title/Name, designation, material, dimension etc	Article No./Reference		
Drawn by Martin Hancock	Checked by	Approved by - date	File name	Date 29.1.2017	Scale
Manual Handling Solutions 58 Paige Close, Watlington Kings Lynn, Norfolk PE33 0TQ Tel 01553811977 sales@manualhandlingsolutions.co.uk			1000kg with Press to Go controls		
				Edition	Sheet