

RevNo	Revision note	Date	Signature	Checked
-------	---------------	------	-----------	---------

A

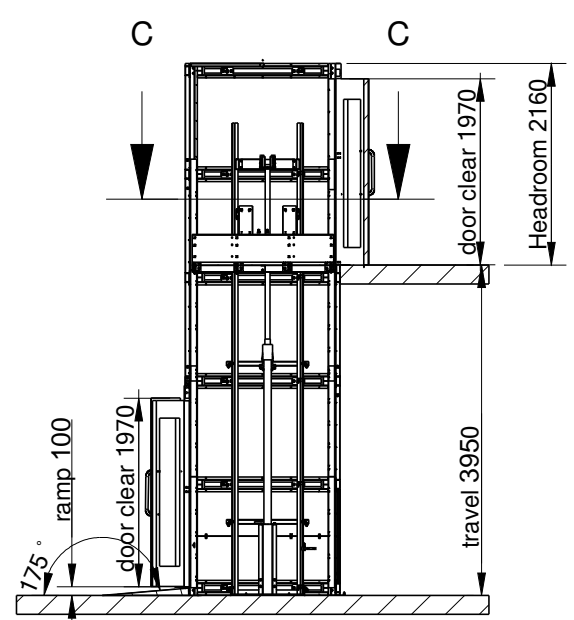
B

C

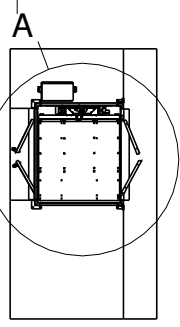
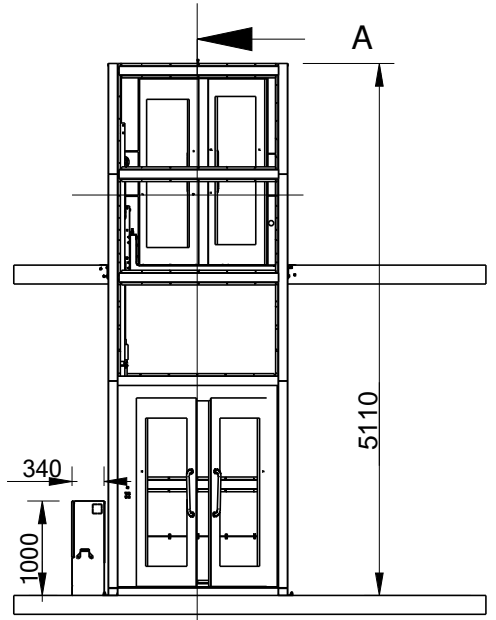
A

B

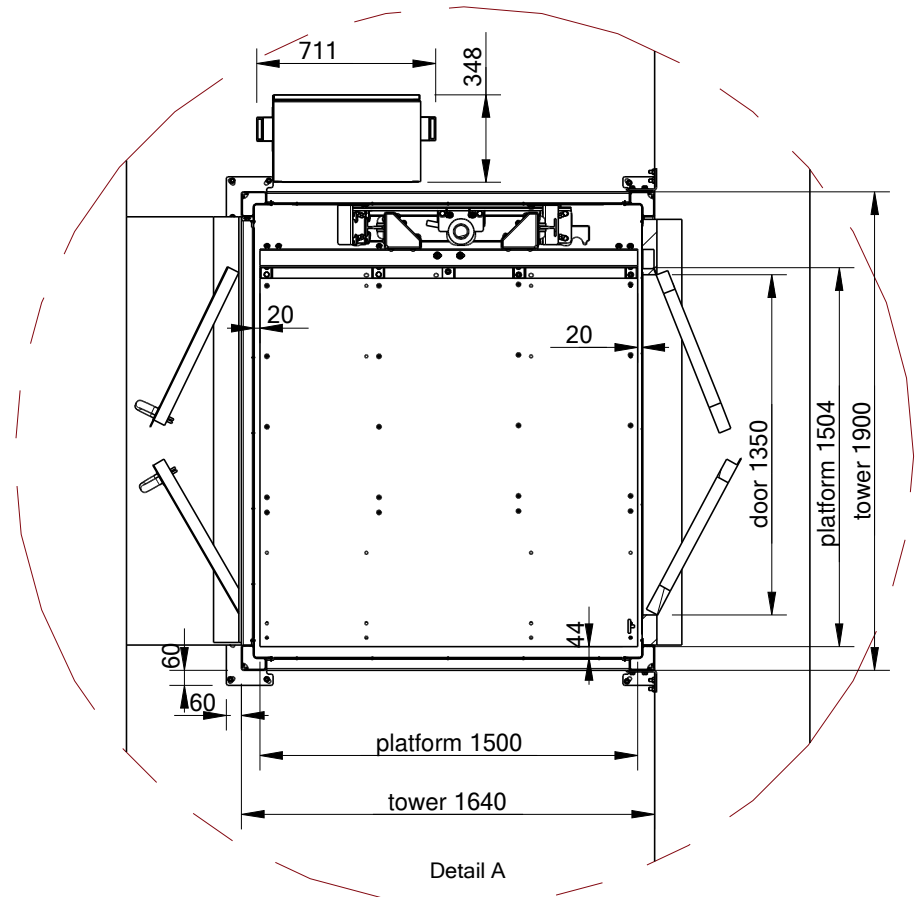
C



Section A-A



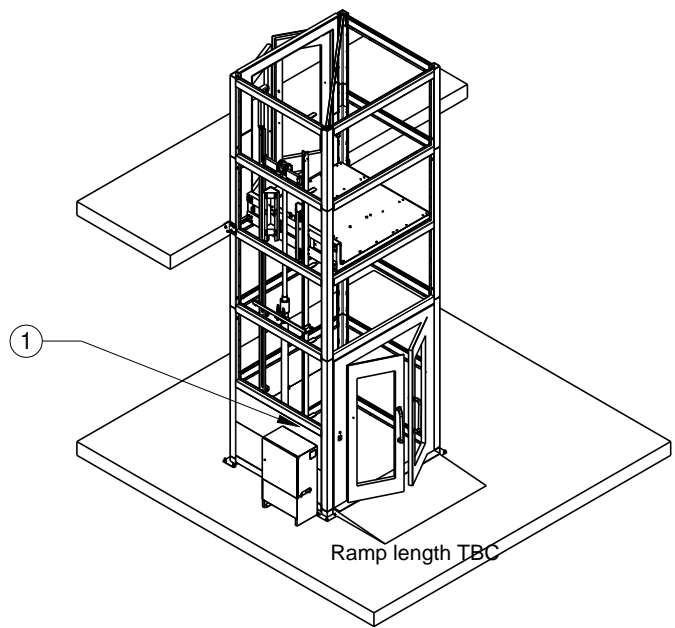
Section C-C



Detail A

Signed as correct

- 1) Power supply 3x400 VAC, 16 A Name..... Date .....
- 2) Indoor installation



Itemref	Quantity	Title/Name, designation, material, dimension etc	Article No./Reference
Drawn by Martin Hancock	Checked by	Approved by - date	File name Date 12.12.2016
Goods only lift 500 Load 500 kg, Speed 0.13 m/s Tower color RAL7024 Platform color Cav RED		Fitted with "Press to Go" controls	
Norwich		Edition	Sheet

D