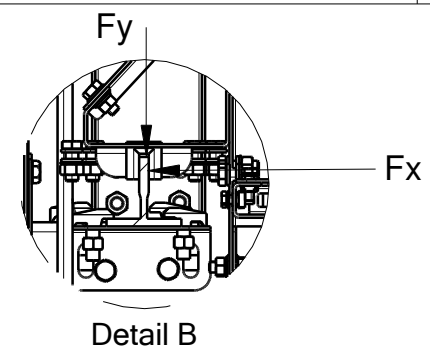
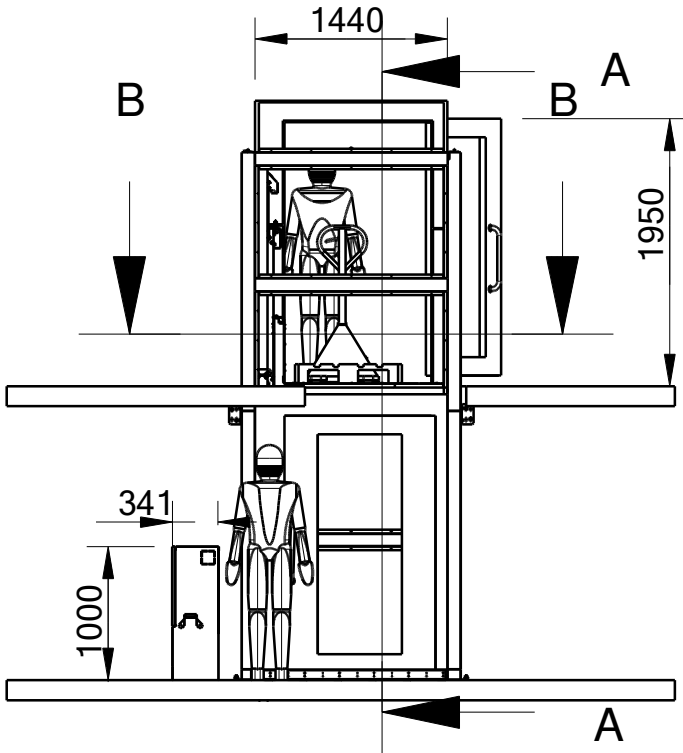
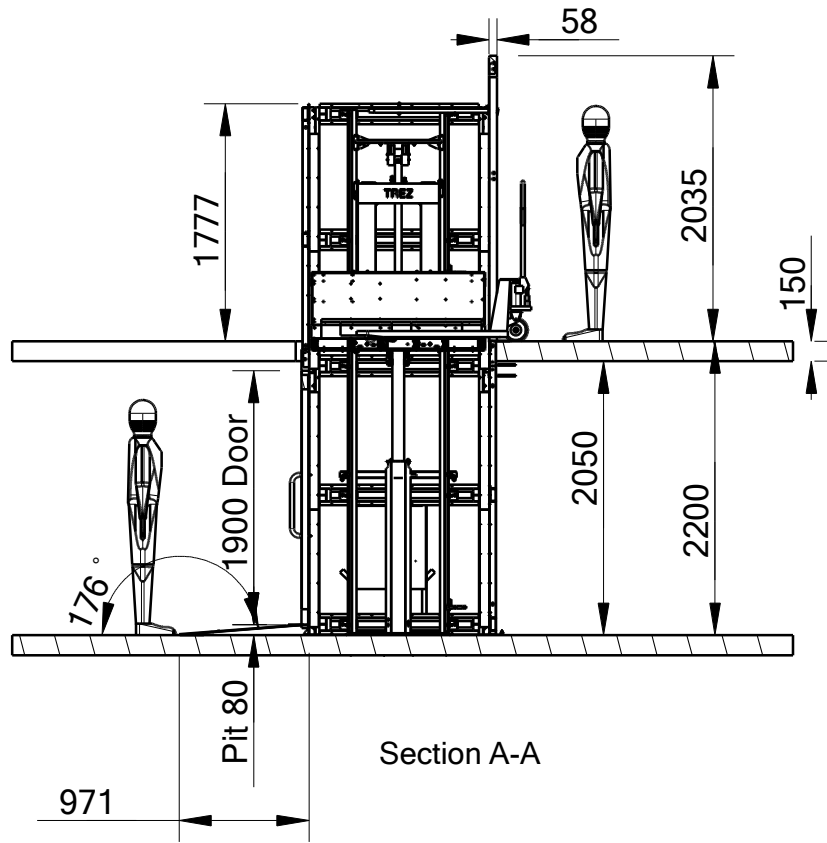


RevNo	Revision note	Date	Signature	Checked

Fx	9130 N
Fy	1350 N
R1	16000 N
R2	7500 N

A



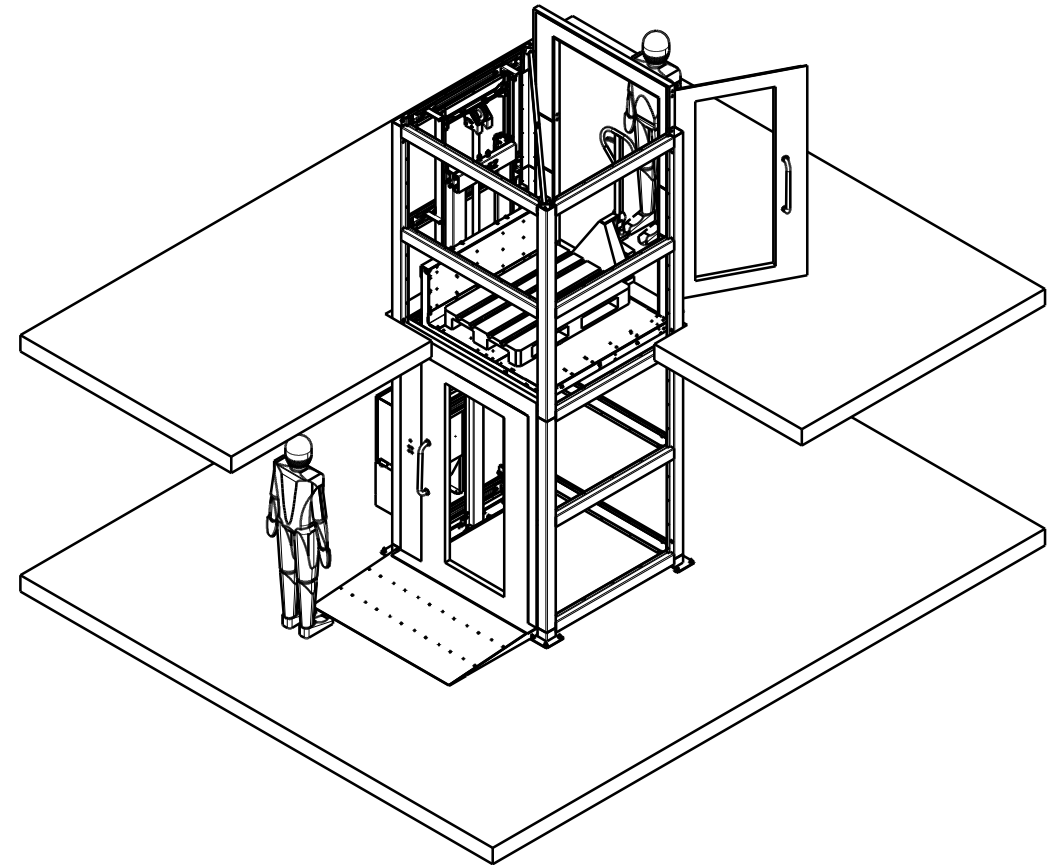
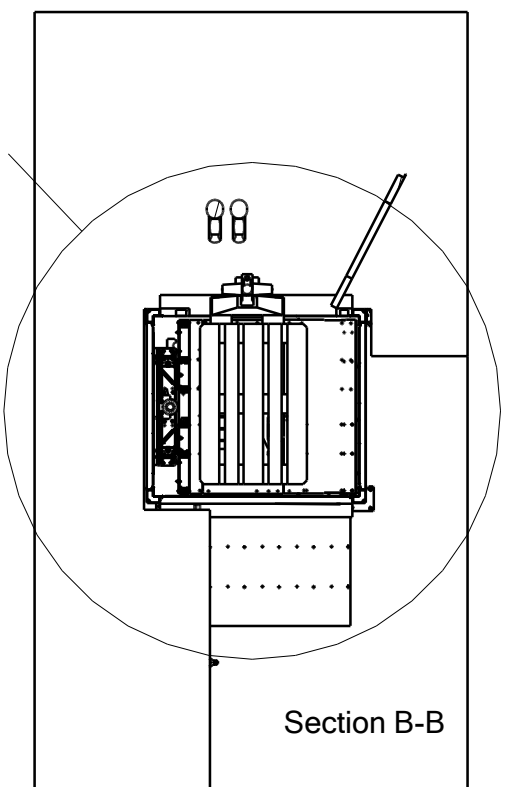
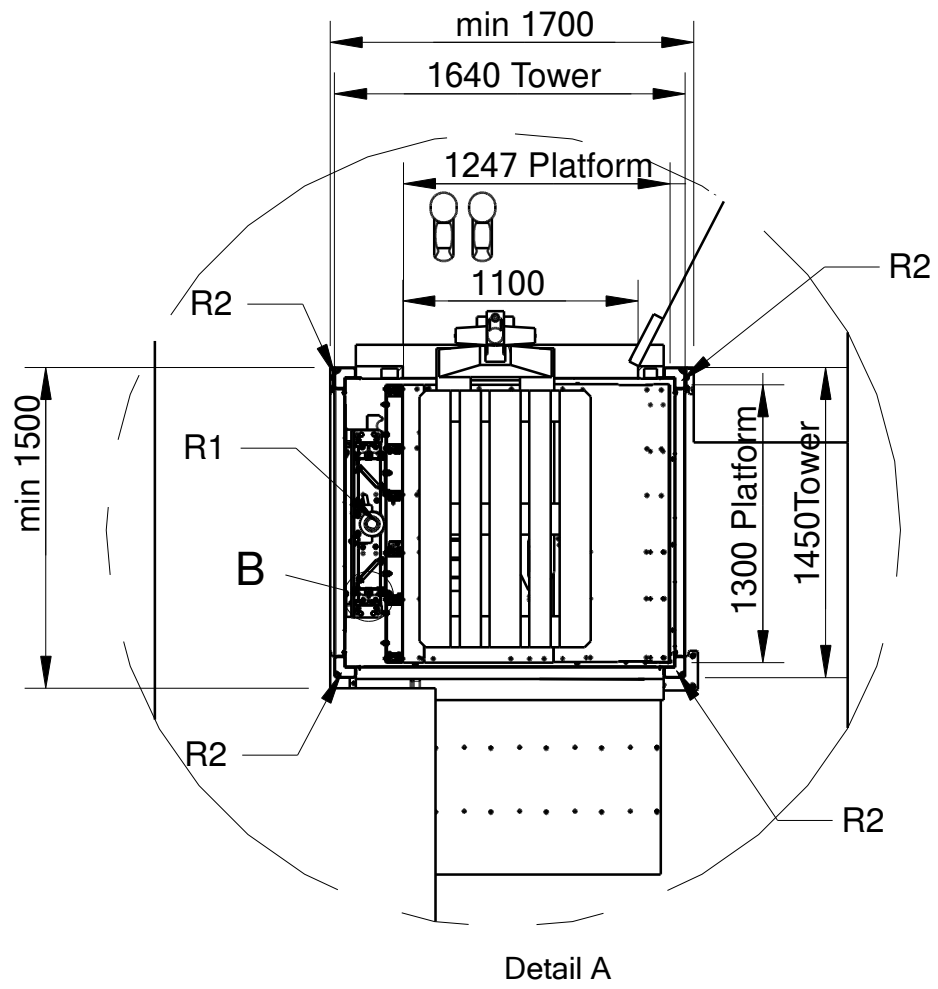
A

B

B

C

C



D

D

Itemref	Quantity	Title/Name, designation, material, dimension etc	Article No./Reference		
Drawn by	Checked by	Approved by - date	File name	Date	Scale
Martin Hancock				10.1.2017	

**Manual Handling SOLUTIONS**  
 Manual Handling Solutions  
 58 Paige Close, Watlington  
 Kings Lynn, Norfolk PE33 0TQ  
 Tel 01553811977  
 sales@manualhandlingsolutions.co.uk

Press to Go controls

Westfield 500kg Goods Only Lift

Edition Sheet