

ON
ROAD



Keep your costs down
and your fleet moving

Chassis Lubrication Systems

www.interlubesystems.com



THE ADVANTAGES

1 + Cost Savings

The lack of, or incorrect lubrication, may lead to bearing failure. A fully automated lubrication system will dramatically reduce the need to replace worn bearings, will minimize maintenance cycles and significantly decrease lubricant cost.

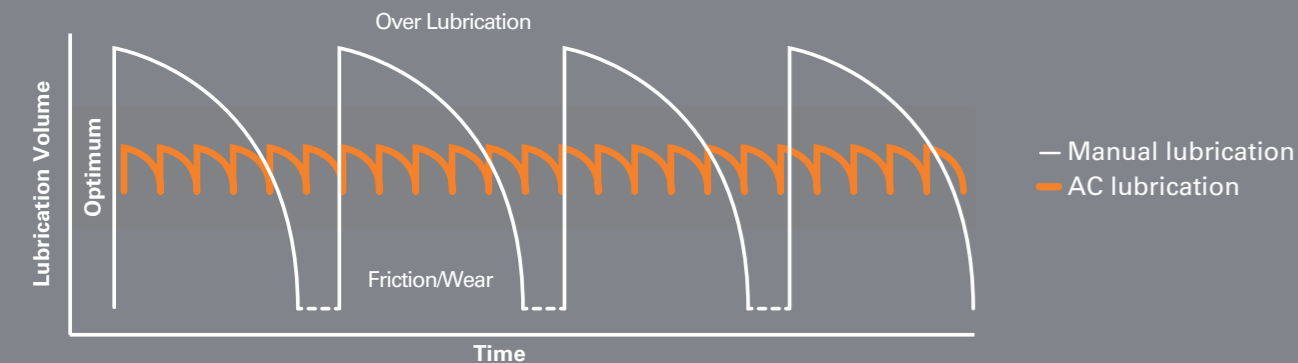
2 + Reliable, Automatic Lubrication

The automated system lubricates regularly while the vehicle is in operation. This ensures that the correct amount of lubricant is being received at all times thus promoting smooth running operation and extended bearing life by preventing the ingress of dirt and moisture during operation.

3 + Reduce Vehicle Downtime

It is essential that your commercial vehicle generates an acceptable amount of profit. Reduce costly vehicle downtime by reducing maintenance schedules and ensuring prolonged vehicle life.

Effectiveness of Automatic Lubrication



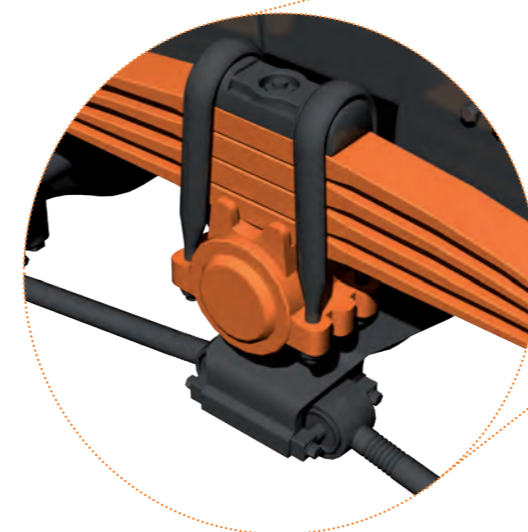
Front Lubrication

- ✓ Spring Hangers
- ✓ King Pins
- ✓ Steering Linkages
- ✓ Spring Pins
- ✓ Steering Drop Links
- ✓ Drop Links



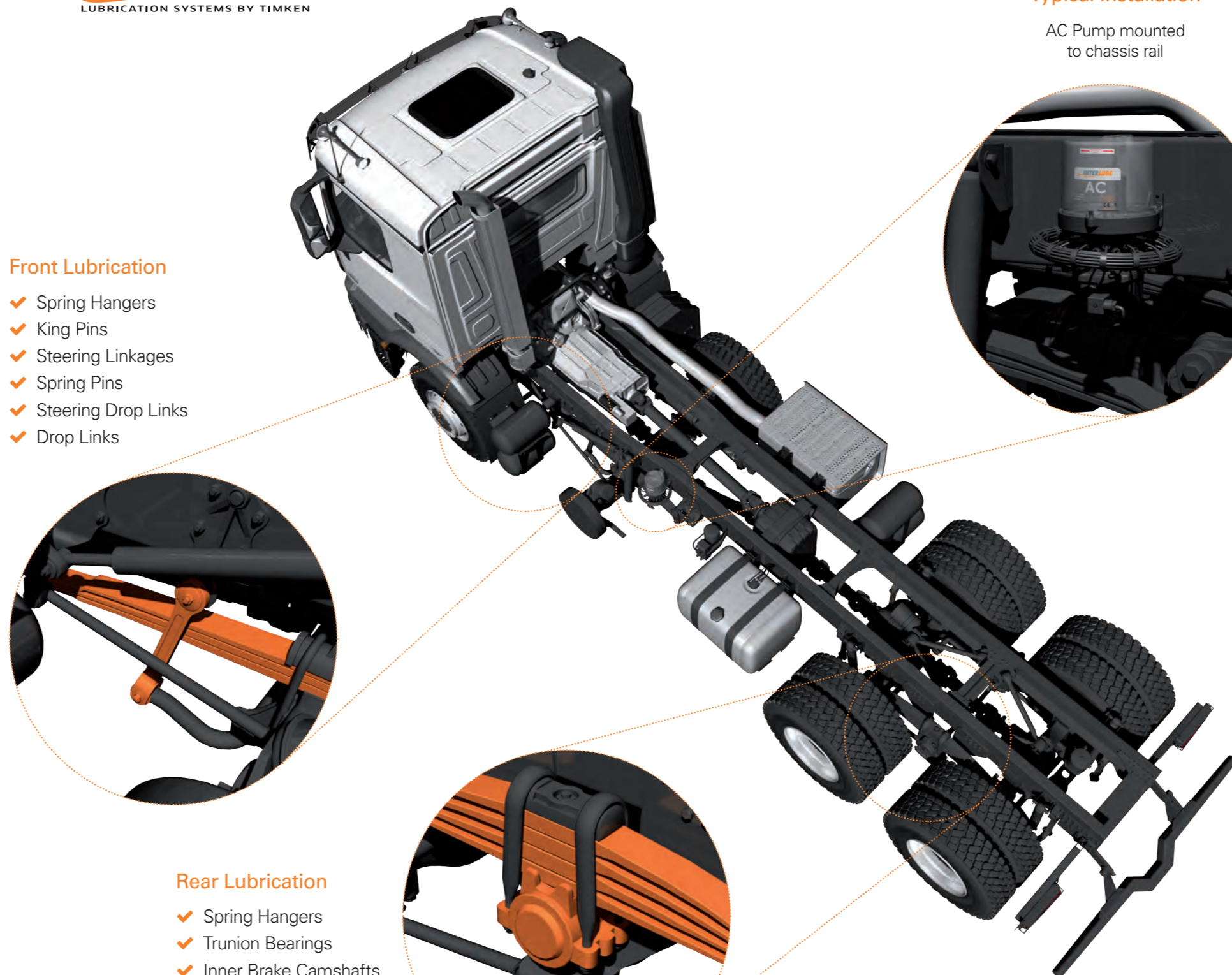
Rear Lubrication

- ✓ Spring Hangers
- ✓ Trunion Bearings
- ✓ Inner Brake Camshafts
- ✓ Outer Brake Camshafts
- ✓ Slack Adjusters



Typical Installation

AC Pump mounted to chassis rail



+ Typical Applications



+ Trucks

- 30-36 lubrication points* for trucks and 24-36 for trailers.
- Regular automatic lubrication for long haul distance



+ Trailers

- 20-100 lubrication points*. For large trailers two AC units may be deployed
- Access to manual lubrication is often very restrictive



+ Buses & Coaches

- 18-24 lubrication points* on the chassis.
- Access to manual lubrication is often very restrictive



+ Cement Mixers

- 20-30 lubrication points*
- Bearing protection from frequent wash-downs and arduous working conditions



+ Tipper

- 20-60 lubrication points* including chassis and tipping equipment
- Safer and easier than manual lubrication



+ Refuse Trucks

- 20-40 lubrication points*
- Bearing protection from frequent wash-downs and arduous working conditions



+ Sweepers

- 20-30 lubrication points*
- Bearing protection from frequent wash-downs and arduous working conditions



+ Truck Mounted Cranes

- 12-24 lubrication points*
- Safer and easier than manual lubrication

*denotes typical number of points on the chassis/body

A global force in the field of lubrication, Interlube Systems is now a brand of The Timken Company.

The flagship AC Lubrication System can be found at the heart of more than 100,000 chassis worldwide.

+ For more information visit interlubesystems.com

Client	Timken ILS	File Name	8222 Timken AC MultiLine Brochures
Artworker	-	Proof Stage	PRINT
Creative Director	Mike Lane	Finished Size	A4 210x297mm
Modification Date	14/12/16 2:53PM	Artwork %	100%
		Bleed	3mm



THE AC LUBRICATION SYSTEM

Less maintenance time, improved efficiency and lower costs.

Manual lubrication is a thing of the past.

In today's demanding transport environment it is critical that commercial vehicles generate an acceptable level of profit.

Whether you are an owner, operator or a fleet manager, one of the most cost effective ways of achieving this objective is by employing the use of fully automatic lubrication system.

The AC Lubrication System has been proven to extend bearing life compared with manual greasing, dramatically cutting the cost of bearing replacements, reducing vehicle downtime and improving vehicle efficiency and safety.



Extends bearing life



UNITED KINGDOM

Timken ILS Limited
St Modwen Road, Parkway
Industrial Estate, Plymouth,
Devon, England PL6 8LH

Tel: +44 (0)1752 676000
Fax: +44 (0)1752 676001
info@interlubesystems.com
www.interlubesystems.com

The Timken team applies their know-how to improve the reliability and performance of machinery in diverse markets worldwide. The company designs, makes and markets high-performance mechanical components, including bearings, gears, chain and related mechanical power transmission products and services.

TIMKEN