

# MECHANICAL HARDWARE

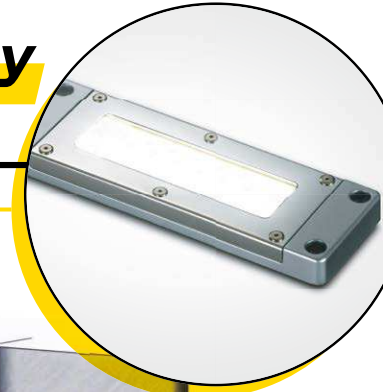
for  
MACHINE  
TOOLS

## Design

DESIGN HANDLE / SOR

## High Durability

LED LIGHT / SL-TGH

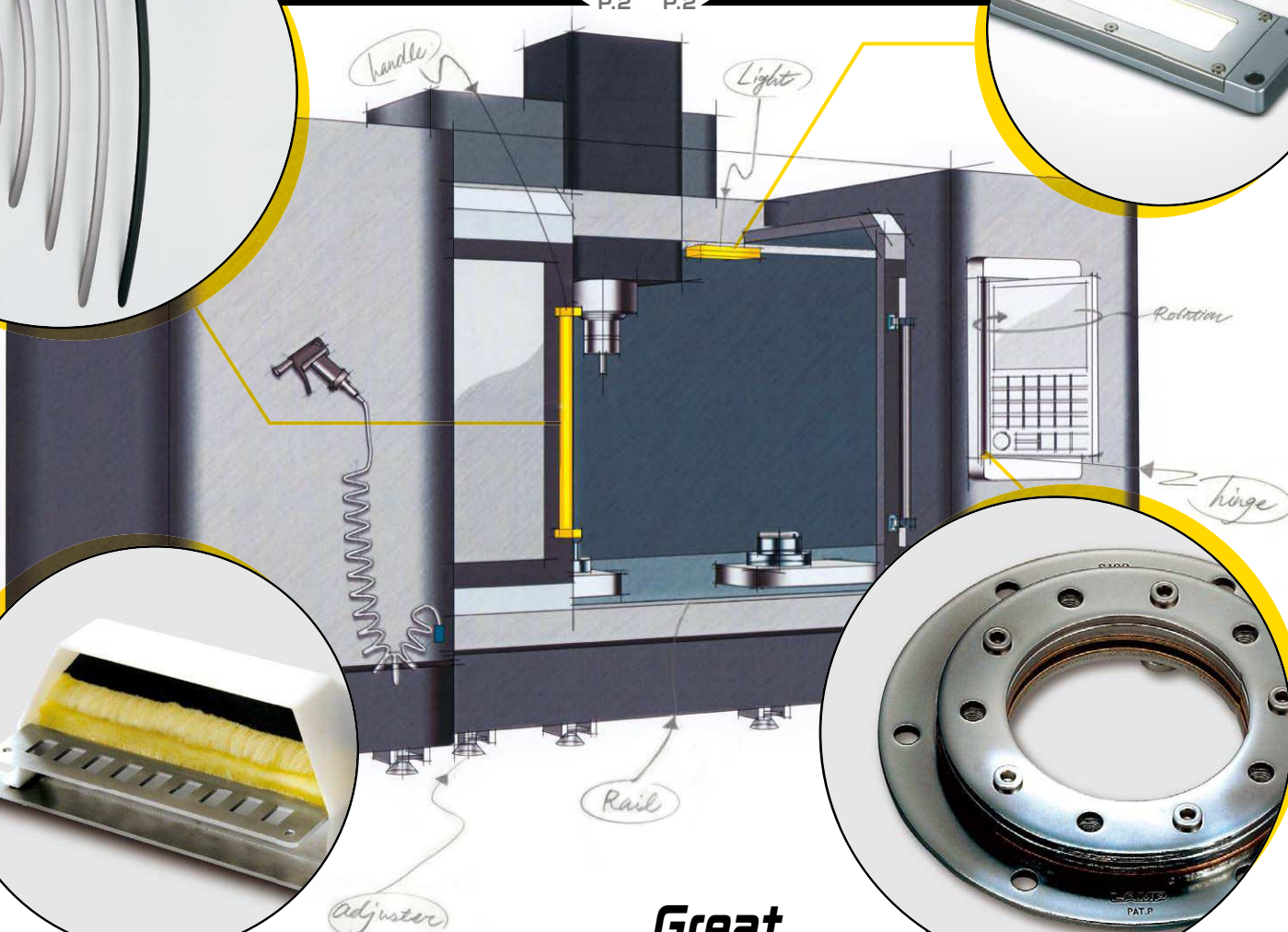


## Better Environment

CABLE GROMMET / WSM-150

## Great Operability

SWIVEL TORQUE HINGE / HG-S



P.1

P.2



Machine tools  
×  
**SUGATSUNE**

# SWIVEL TORQUE HINGE

HG-S Series No.189 P.325

NEW



Without centre hole



φ12



φ21.5



φ34

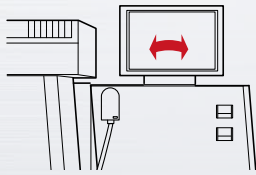


φ50

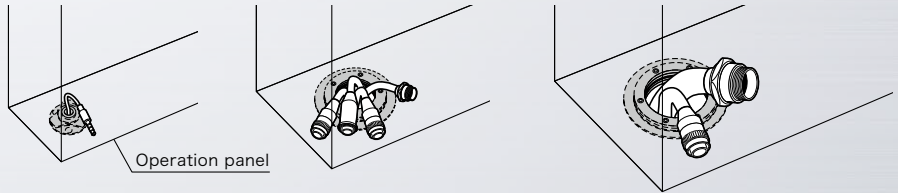


φ75

For smaller panels

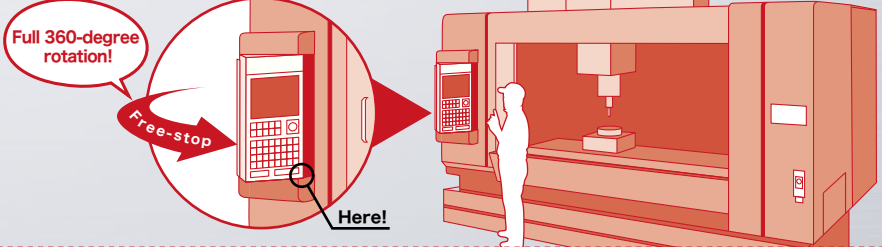


Easy cable management



## What is a 'Swivel torque hinge'?

A 'Swivel torque hinge' is a friction hinge made from stainless steel with a full 360° rotation. The hinge can be stopped anywhere in its motion and the friction will keep it in place. Ideal for industrial control panels or monitors for example, digital displays on running machines.



## HG-FH128 DETENT HINGE

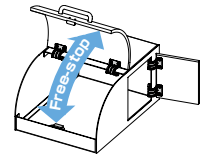
Holds door at 60° and 120°. Ideal for doors which need to be compressed.



No.189 P.298

## HG-TU HIDDEN TORQUE HINGE

Installation on the back side of the door. Can be used both for vertical and horizontal applications.



No.189 P.324

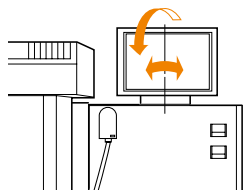
## HG-T DUAL AXIS TORQUE HINGE

Dual Axis : Free stop at any angle in tilt & swivel. Ideal for monitor screens.

HG-T70S30



HG-T30S15



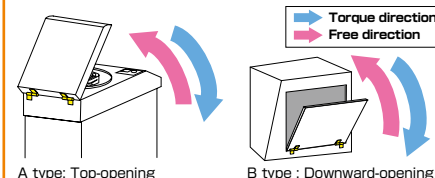
No.189 P.322

## HG-TQA ONE WAY TORQUE HINGE

Friction in one direction only. Prevents the door from slamming for safety.



Sold in pairs (Left/Right)



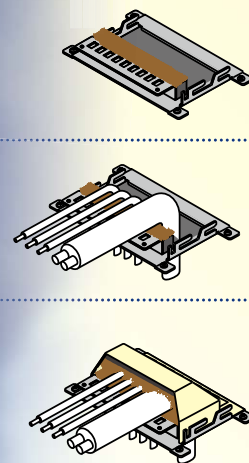
A type: Top-opening

B type: Downward-opening

No.189 P.326

CONTROL PANEL APPLICATION

# WSM-150 IP54F WIRE MANAGER



Unique gasket and synthetic material combination to prevent oil mist intrusion.

## SL-TGH LED TOUGH LIGHT

Resistant to water, oil and dust (IP67F).  
Durability against high pressure and high-temperature water (IP69K).  
3 types of LED intensity distributions.



Certified IP67F and IP69K

## WSD WIRE MANAGER

Dust prevention by gasket and pile.  
Can be split into two parts for easy installation.



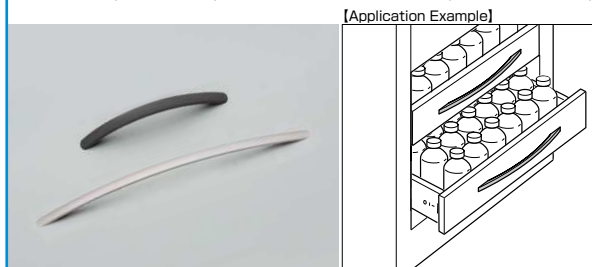
## MTH-T, MTH-L PIPE HANDLE

Easy-grip handle.  
73mm handle height : ideal for inset sliding door.



## SOR ALUMINIUM DOOR HANDLE

An elegant curved anodised aluminium handle.  
2 colours (Silver/Black) available and several sizes (200~1,000 mm).

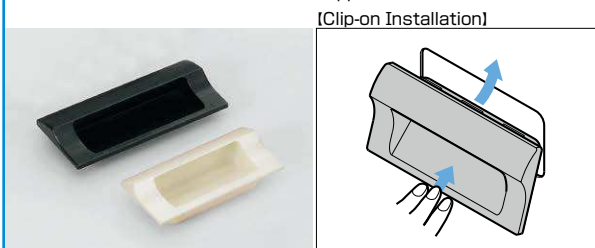


[Application Example]

No.189 P.341

## HH-JW RECESSED HANDLE

Clip-on Installation  
2 colours (Ivory/Black) and 4 sizes available.  
Covers hide screw heads for clean appearance.



[Clip-on Installation]

No.240 P.59

## KMH HANDLE

Easy-grip design.  
4 cap colours (White/Black/Light Blue/Grey).



[Cap] sold separately

No.240 P.45

## MC-159-SUS MAGNETIC CATCH

2.8 mm thickness and made of stainless steel (SUS430).



No.240 P.263

## MC-YN005HP MAGNETIC CATCH

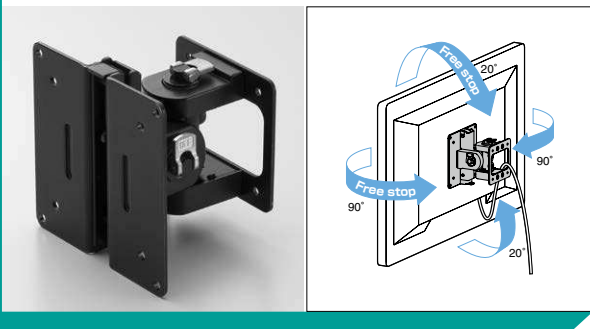
Made of stainless steel (SUS304) and heat resistant up to 250°C.



No.189 P.37

## KA-T100S50 MONITOR MOUNT

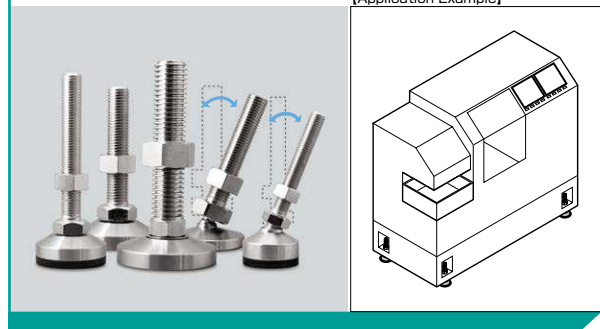
Clip-on installation and multi-angle adjustment.



## SDY SERIES HEAVY DUTY LEVELING GLIDE

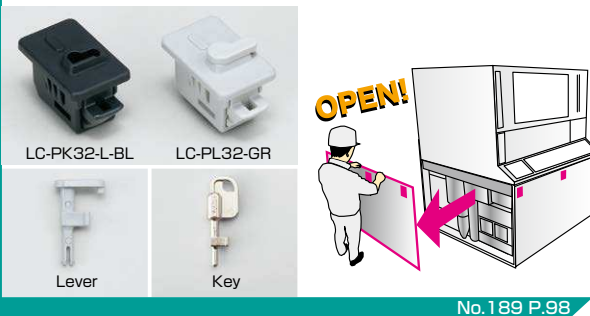
High load capacity (~100,000kgf).

[Application Example]



## LC-PK32, LC-PL32 QUICK RELEASE LATCH

Detach 3 latches in 1 motion.  
Made of flame resistant material (UL-94-V0).



No.189 P.98

## Selection tool "Sasuga-kun"

This tool can simulate flap, door moment, operating force, etc. You can find the suitable Motion Design Tec product adapted to your application. All you need to do is input key values such as weight and dimensions of the flaps / door.



I calculate and select a suitable MDT solution.



**SUGATSUNE KOGYO CO., LTD.**  
Tokyo, JAPAN

Phone: +81 (0)3 3866 2260

Fax: +81 (0)3 3866 4447

E-mail: [export@sugatsune.co.jp](mailto:export@sugatsune.co.jp)

Website: [www.sugatsune-intl.com](http://www.sugatsune-intl.com)

