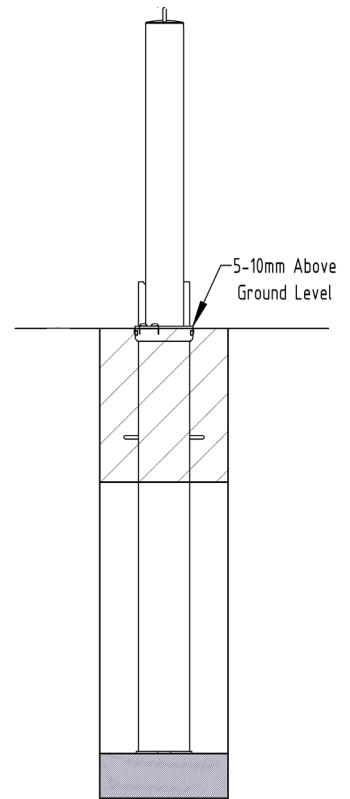
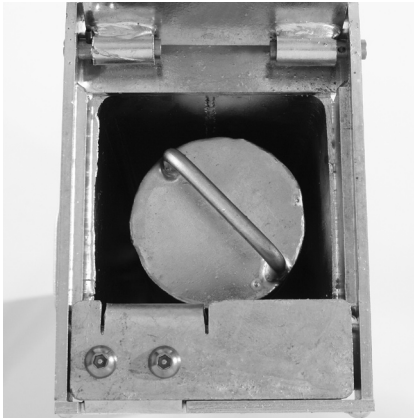




Retractapost 500 500mm

Galvanised, Galvanised & Colour or Stainless



The RetractaPost is a simple, cost effective, yet highly effective way to prevent unwanted vehicle access. The RetractaPost is raised and lowered vertically. When lowered the post is fully below ground and covered using the integral lid. The post is padlockable (padlock not supplied) in the raised position by first rotating the post 45° and then attaching the padlock between the post to the lid. The RetractaPost 500 is 500mm above ground in the raised position.

The RetractaPost is ideal for protecting vehicle forecourts, commercial premises, car parks and domestic driveways.

<u>Part Number</u>	<u>Description</u>	<u>Lift Weight (kg)</u>	<u>Weight (kg)</u>
138 130 372	60mm Galvanised	3kg	13kg
138 130 377	60mm Galvanised & Colour	3kg	13kg
138 130 378	60mm Stainless	2kg	12kg
138 130 370	76mm Galvanised	4kg	14kg
138 130 375	76mm Galvanised & Colour	4kg	14kg
138 130 379	76mm Stainless	3kg	13kg
138 130 410	90mm Galvanised	5kg	15kg
138 130 413	90mm Galvanised & Colour	5kg	15kg
138 130 415	90mm Stainless	4kg	14kg

Product details

- 500mm (Height above ground when raised)
- Other colours can be provided on request (RAL no. to be advised)
- 3mm wall thickness - Galvanised and galvanised & colour
- Socket - 760mm (below ground)
- Red/White chevron tape available extra
- 2mm wall thickness - Stainless steel

Installation & use

It is recommended that posts are placed no further than 1,200mm apart to ensure no vehicle may pass between the raised posts. An excavated hole (no less than 900mm deep and 300mm diameter) is required for installation. Provision for suitable drainage must be made (chippings or similar) at the bottom of the hole. The uppermost 3-400mm must be concrete. The lid of the post should be no more than 10mm above finished ground level. This product is guaranteed for 12 months (if installed and used correctly).



www.autopa.co.uk
+44 (0)1788 550556

AUTOPA Limited
Cottage Leap, Rugby, Warwickshire CV21 3XP

