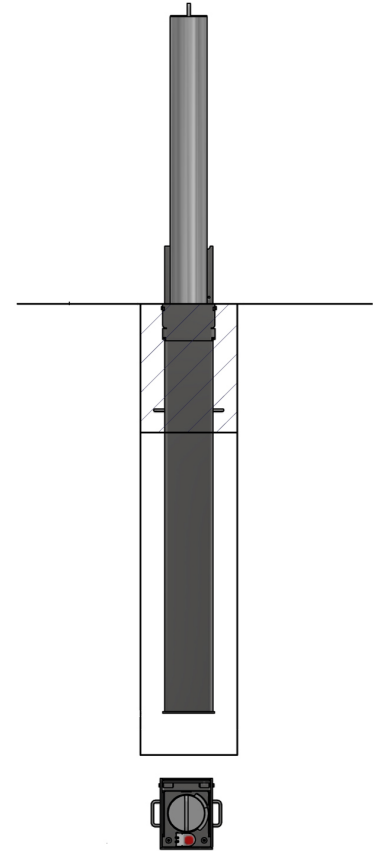
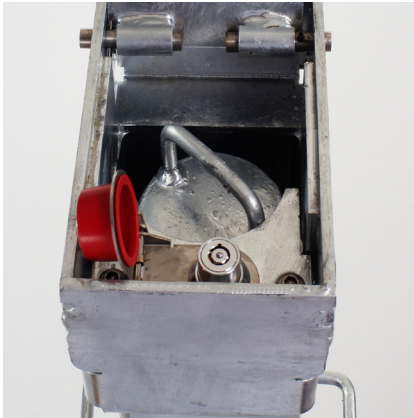




RetractaPost-GL 500

500mm

Galvanised or Galvanised & Colour



The RetractaPost-GL offers a highly effective and robust way to protect premises and vehicles. The RetractaPost-GL is raised and lowered vertically. When raised the post is 500mm above ground, when lowered the post is fully below ground and covered using the integral lid. The post is lockable in the raised position by rotating the post 45° and then pressing the high-security push button 7-pin security lock. The post is unlocked using the supplied key, rotated and then lowered.

The RetractaPost-GL is ideal for protecting vehicle forecourts, commercial premises, car parks and domestic driveways.

Tested and approved by Sold Secure.

This product has achieved Secure by Design status.

Part Number	Description	Lift Weight (kg)	Weight (kg)
138 130 390	76mm Galvanised	4kg	16kg
138 130 395B	76mm Galvanised & Black	4kg	16kg
138 130 395Y	76mm Galvanised & Yellow	4kg	16kg
138 130 395	76mm Galvanised & Colour	4kg	16kg
138 130 425	90mm Galvanised	5kg	20kg
138 130 424B	90mm Galvanised & Black	5kg	20kg
138 130 424Y	90mm Galvanised & Yellow	5kg	20kg
138 130 424	90mm Galvanised & Colour	5kg	20kg



Secured by Design



Police Preferred Specification

Product details

- 500mm (above ground when raised)
- Socket - 815mm (below ground)
- 3mm wall thickness
- Red/white chevron tape available extra
- Other colours available on request

Installation & use

Bolt down to a suitable concrete surface.
 Telescopic, removable and concrete in are supplied with welded fixing spikes to ensure firm ground anchorage into concrete.
 Telescopic, removable and concrete in require a suitable excavated hole for installing into concrete.
 Products are guaranteed for 12 months (if installed and used correctly).



www.autopa.co.uk
 +44 (0)1788 550556

AUTOPA Limited
 Cottage Leap, Rugby, Warwickshire CV21 3XP

