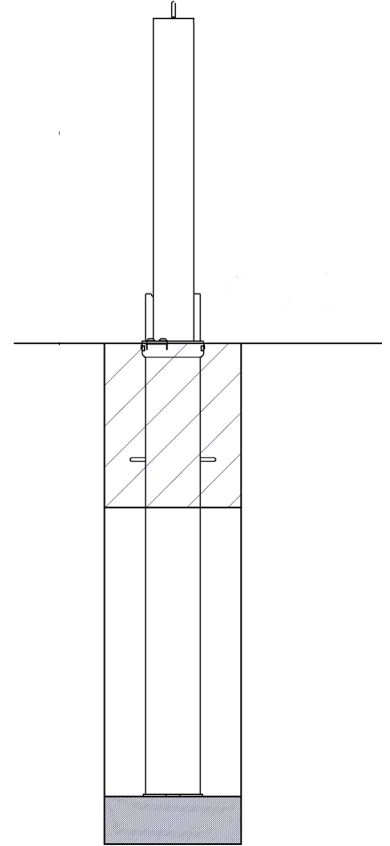




Square RetractaPost-GL 900

900mm

Galvanised or Galvanised & Colour



The Square RetractaPost-GL 900 is an effective means of preventing unauthorised vehicle access. When not in use, the post retracts into its integrated socket and is covered by the integral lid. The post is lockable in the raised position by rotating the post 45° and then pressing the high-security push button 7-pin security lock. The post is unlocked using the supplied key, rotated and then lowered.

Simple and unobtrusive, the Square RetractaPost-GL 900 is perfect for use on commercial car parks, vehicle forecourts and domestic driveways. Manufactured from galvanised mild steel and can be colour coated to any standard BS/RAL number (please state codes at time of order).

Tested and approved by Sold Secure.

This product has achieved Secure by Design status.

Part Number	Description	Lift Weight (kg)	Weight (kg)
138 130 455	90mm x 90mm Galvanised	12kg	36kg
138 131 455B	90mm x 90mm Galvanised & Black	12kg	36kg
138 131 455Y	90mm x 90mm Galvanised & Yellow	12kg	36kg
138 131 455C	90mm x 90mm Galvanised & Colour	12kg	36kg



Secured by Design



Police Preferred Specification

Product details

- 900mm (above ground when raised)
- Socket - 1250mm (below ground)
- 3mm wall thickness (90mm)
- Red/white chevron tape available extra
- Other colours available on request
- 5mm wall thickness (120mm)

Installation & use

AUTOPA recommends that posts are placed no further than 1,200mm apart to ensure that no vehicle may pass between them.

An excavated hole (no less than 1,200mm deep and 300mm²) is required for installation. Provision for suitable drainage must be made at the bottom of the hole. The uppermost 300 - 400mm must be set into concrete.

The lid of the post should be no more than 10mm above finished ground level.

This product is guaranteed for 12 months (if installed and used correctly).



www.autopa.co.uk
+44 (0)1788 550556

AUTOPA Limited
Cottage Leap, Rugby, Warwickshire CV21 3XP

