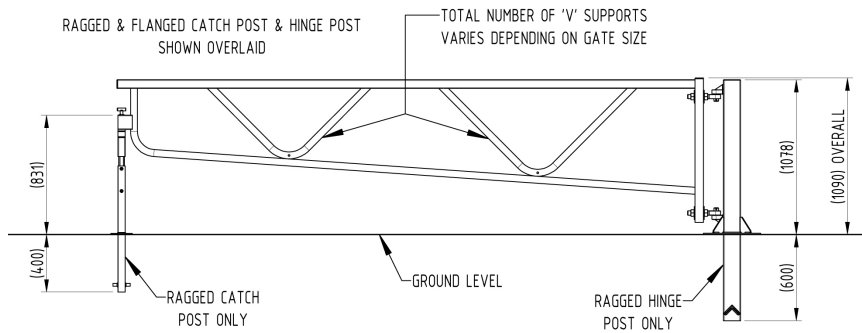




# Swing Gate

## 3m, 4m, 5m, 6m and 7m

### Galvanised and Colour



The AUTOPA Swing Gate is a manually operated gate designed for securing commercial and industrial site entrances where only occasional access control is required.

Robust and reliable, with several safety features incorporated into the design as standard, including a self-latching catch post, short leading edge beam and low bottom edge. These combined reduce the chances of the gate swinging open unexpectedly while also decreasing the risk of injury should it do so. The gate can be locked in both the open and closed positions with a second catch post and padlock (available separately).

Manufactured from galvanised mild steel, the gate is colour coated red as standard (other colours are available upon request; please state BS/RAL numbers at time of order). The AUTOPA Swing Gate is available ragged or flanged.



<u>Part Number</u>	<u>Description</u>
138 106 430	3m Galvanised & Colour - Bolt Down
138 106 431	3m Galvanised & Colour - Concrete In
138 106 440	4m Galvanised & Colour - Bolt Down
138 106 441	4m Galvanised & Colour - Concrete In
138 106 450	5m Galvanised & Colour - Bolt Down
138 106 451	5m Galvanised & Colour - Concrete In
138 106 460	6m Galvanised & Colour - Bolt Down
138 106 461	6m Galvanised & Colour - Concrete In
138 106 470	7m Galvanised & Colour - Bolt Down
138 106 471	7m Galvanised & Colour - Concrete In

### Product details

- Main Body: 120mm x 120mm square tube
- 3mm wall thickness
- Main Gate Arm: 60mm x 60mm square tube
- Concrete in 600mm (below ground)

### Installation & use

Bolt down Swing Gates require bolting down to a suitable concrete surface (no less than 600mm<sup>3</sup>) by means of four M16 bolts per leg.

Concrete in Swing Gates require an excavated hole (no less than 600mm<sup>3</sup>) for installation. It is recommended that suitable signs are installed to ensure vehicles are aware of the obstruction.

This product is guaranteed for 12 months (if installed and used correctly).



[www.autopa.co.uk](http://www.autopa.co.uk)  
+44 (0)1788 550556

AUTOPA Limited  
Cottage Leap, Rugby, Warwickshire CV21 3XP

