



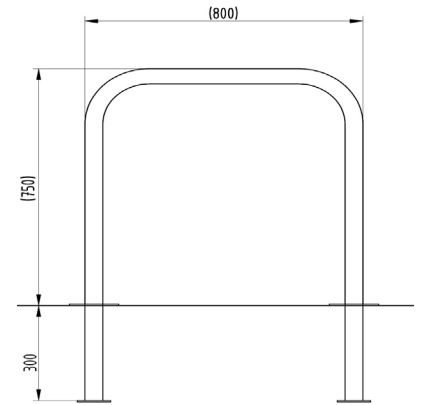
Sheffield Cycle Stand Galvanised or Galvanised & Colour



The tubular cycle stand, a familiar sight throughout the UK, allows the frame of the bicycle to be secured by the users own security lock.

Suitable for securing two bicycles.

The practical and durable nature of the VELOPA Sheffield cycle stand ensures it has been consistently recommended by cycling groups since its introduction in the 1990's.



<u>Part Number</u>	<u>Description</u>	<u>Weight (kg)</u>
138 200 111	Galvanised - Concrete In	9kg
138 200 101	Galvanised - Bolt Down	8kg
138 200 112	Galvanised & Black - Concrete In	9kg
138 200 102	Galvanised & Black - Bolt Down	8kg
138 200 105	Galvanised & Colour - Concrete In	9kg
138 200 104	Galvanised & Colour - Bolt Down	8kg

Product details

- 48mm diameter tube
- 750mm x 800mm (height x length)
- Concrete in 300mm (below ground)
- Round flange plate – 133mm x 5mm
- Each stand requires 6 bolts (bolt down)

Installation & use

Bolt down to a suitable concrete surface.
 Telescopic, removable and concrete in are supplied with welded fixing spikes to ensure firm ground anchorage into concrete.
 Telescopic, removable and concrete in require a suitable excavated hole for installing into concrete.
 Products are guaranteed for 12 months (if installed and used correctly).



www.autopa.co.uk
 +44 (0)1788 550556

AUTOPA Limited
 Cottage Leap, Rugby, Warwickshire CV21 3XP

