

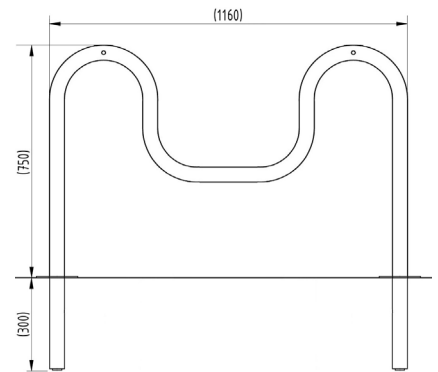


'M' Cycle Stand Galvanised, Galvanised & Colour or Stainless



The VELOPA 'M' Cycle Stand is one of London's transport networks preferred styles. Offering varying locking heights, this cycle stand provides a higher degree of security than its more traditional counterparts. The design of the 'M' Cycle Stand allows cyclists to secure both the frame and wheel of their bicycle using their own security lock. Each stand is suitable for securing up to two bicycles.

Manufactured from galvanised mild steel, and supplied and ragged as standard; flanged, colour coated and stainless steel versions are available upon request. RAL/BS numbers must be specified at time of order. The 'M' Cycle Stand is supplied with contrasting reflective tape to maximise visibility (orange on galvanised stands and black on stainless steel), alternative colours are available if needed. An optional tapping rail sitting 100mm above can be added as required at extra cost.



Part Number	Description	Weight (kg)
138 515 280	Galvanised - Concrete In	13kg
138 515 285	Galvanised - Bolt Down	12kg
138 515 281	Galvanised & Black - Concrete In	13kg
138 515 286	Galvanised & Black - Bolt Down	12kg
138 515 282	Galvanised & Colour - Concrete In	13kg
138 515 287	Galvanised & Colour - Bolt Down	12kg
138 515 284	Stainless Steel Grade 304 - Concrete In	13kg
138 515 289	Stainless Steel Grade 304 - Bolt Down	12kg

Product details

- 48mm diameter tube
- 750mm x 1160mm (height x length)
- Concrete in 300mm (below ground)
- Round flange plate – 133mm x 5mm
- Each stand requires 6 bolts (bolt down)

Installation & use

Bolt down to a suitable concrete surface.
Telescopic, removable and concrete in are supplied with welded fixing spikes to ensure firm ground anchorage into concrete.
Telescopic, removable and concrete in require a suitable excavated hole for installing into concrete.
Products are guaranteed for 12 months (if installed and used correctly).



www.autopa.co.uk
+44 (0)1788 550556

AUTOPA Limited
Cottage Leap, Rugby, Warwickshire CV21 3XP

