



Component force™



*Our largest
hardware range
ever!*

Hardware Overview

www.component-force.co.uk

Quick Find Index



Cylinder Cam Lock & Keys | p.6



Tool Operated Quarter Turn Latch | p.7



Wing Knob Cam Latch | p.9



T-Handle Cam Latch | p.10



L-Handle Cam Latch | p.11



Compression Latch | p.12



T-Handle Compression Latch | p.14



Large Compression Latch | p.15



Swing Handle | p.17



Medium Round Push to Close Latch | p.19



Large Round Push to Close Latch | p.20



Heavy Duty Square Push to Close Latch | p.21



Small Square Push to Close Latch with Plastic Slide | p.22



Small Square Push to Close Latch with Metal Slide | p.23



Medium Square Push to Close Latch with Metal Slide | p.24



Large Square Push to Close Latch with Metal Slide | p.25



Plastic Counterbore Hinge with Position Control | p.26



Metal Counterbore Hinge with Position Control | p.27



Basic Lift Off In-Line Hinge | p.28



Decorative Lift Off Off-Set Hinge | p.29



Surface Mount Hinge | p.30



Surface Mount Off-Set Hinge | p.31



Symmetric Torque Position Controlled Hinge | p.32



Asymmetric Torque Position Controlled Hinge | p.33



Concealed 90° Opening Arc Hinge | p.34



Concealed 180° Opening Arc Hinge | p.35



Concealed 102° Opening Arc Hinge | p.36



Concealed Removable Hinge | p.37



Solid Handwheel Male | p.38



Solid Handwheel with Handle Hole | p.39



Solid Handwheel Female | p.40



Clamping Handle Male | p.41



Clamping Handle Female | p.42



Round Ball Knob Female | p.43



Tapered Round Ball Knob | p.45



Round Threaded Stud Knob | p.46



Spiral 4 Pointed Star Handwheel | p.47



Scalloped Shaped Handwheel | p.48



Four Point Straight Star Handwheel | p.50



Four Spoke Handwheel | p.51



Four Spoke Handwheel with Handle Hole | p.52



Three Point Handwheel Male | p.53



Three Point Handwheel Female | p.55



Nylon Castor All Types | p.56



Blue Rubber Castor All Types | p.57



Red Rubber Castor All Types | p.58



Continued Overleaf



Heavy Duty Castor
All Types | p.59



High Temperature Castor
All Types | p.60



Gate Castor | p.61



Height Adjustable Castor | p.62



Threaded Height Adjustable
Castor | p.63



Height Adjustable Castor
with Handle | p.64



Heavy Duty Height Adjustable
Castor | p.65



Small Steel Wheel Solid
Tyre | p.66



Plastic Wheel Solid Tyre | p.66



Black Steel Wheel Solid
Tyre | p.67



Red Plastic Wheel Pneumatic
Tyre | p.67



Steel Wheel Pneumatic
Tyre | p.68



Puncture Proof Steel
Wheel | p.68



Puncture Proof Steel Wheel
Offset Hub | p.69



Custom Built Castors | p.69



Steel Wheel Puncture Proof
Tyre Castor | p.70



Steel Wheel Pneumatic
Tyre Castor | p.71



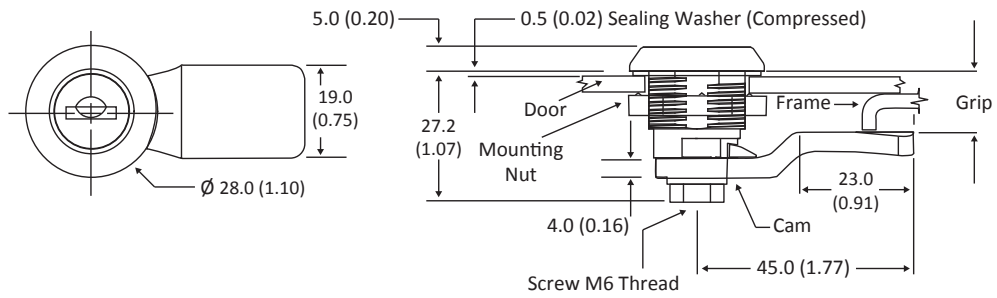
Quick Find
Index

Quick Find Index	2
Product Index	5
Cylinder Cam Lock & Keys	6
Tool Operated Quarter Turn Latch	7
Wing Knob Cam Latch	9
T-Handle Cam Latch	10
L-Handle Cam Latch	11
Compression Latch	12
T-Handle Compression Latch	13
Large Compression Latch	15
Swing Handle	17
Medium Round Push to Close Latch	19
Large Round Push to Close Latch	20
Heavy Duty Square Push to Close Latch	21
Small Square Push to Close Latch with Plastic Slide	22
Small Square Push to Close Latch with Metal Slide	23
Medium Square Push to Close Latch with Metal Slide	24
Large Square Push to Close Latch with Metal Slide	25
Plastic Counterbore Hinge with Position Control	26
Metal Counterbore Hinge with Position Control	27
Basic Lift Off In-Line Hinge	28
Decorative Lift Off Off-Set Hinge	29
Surface Mount Hinge	30
Surface Mount Off-Set Hinge	31
Symmetric Torque Position Controlled Hinge	32
Asymmetric Torque Position Controlled Hinge	33
Concealed 90° Opening Arc Hinge	34
Concealed 180° Opening Arc Hinge	35
Concealed 102° Opening Arc Hinge	36
Concealed Removable Hinge	37
Solid Handwheel Male	38
Solid Handwheel with Handle Hole	39
Solid Handwheel Female	40
Clamping Handle Male	41
Clamping Handle Female	42
Round Ball Knob Female	43
Tapered Round Ball Knob	45
Round Threaded Stud Knob	46
Spiral 4 Pointed Star Handwheel	47
Scalloped Shaped Handwheel	48
Four Point Straight Star Handwheel	50
Four Spoke Handwheel	51
Four Spoke Handwheel with Handle Hole	52
Three Point Handwheel Male	53
Three Point Handwheel Female	55
Nylon Castor All Types	56
Blue Rubber Castor All Types	57
Red Rubber Castor All Types	58
Heavy Duty Castor All Types	59
High Temperature Castor All Types	60
Gate Castor	61
Height Adjustable Castor	62
Threaded Height Adjustable Castor	63
Height Adjustable Castor with Handle	64
Heavy Duty Height Adjustable Castor	65
Small Steel Wheel Solid Tyre	66
Plastic Wheel Solid Tyre	66
Black Steel Wheel Solid Tyre	67
Red Plastic Wheel Pneumatic Tyre	67
Steel Wheel Pneumatic Tyre	68
Puncture Proof Steel Wheel	68
Puncture Proof Steel Wheel Offset Hub	69
Custom Built Castors	69
Steel Wheel Puncture Proof Tyre Castor	70
Steel Wheel Pneumatic Tyre Castor	71



CCL Cylinder Cam Lock & Keys Stainless Steel

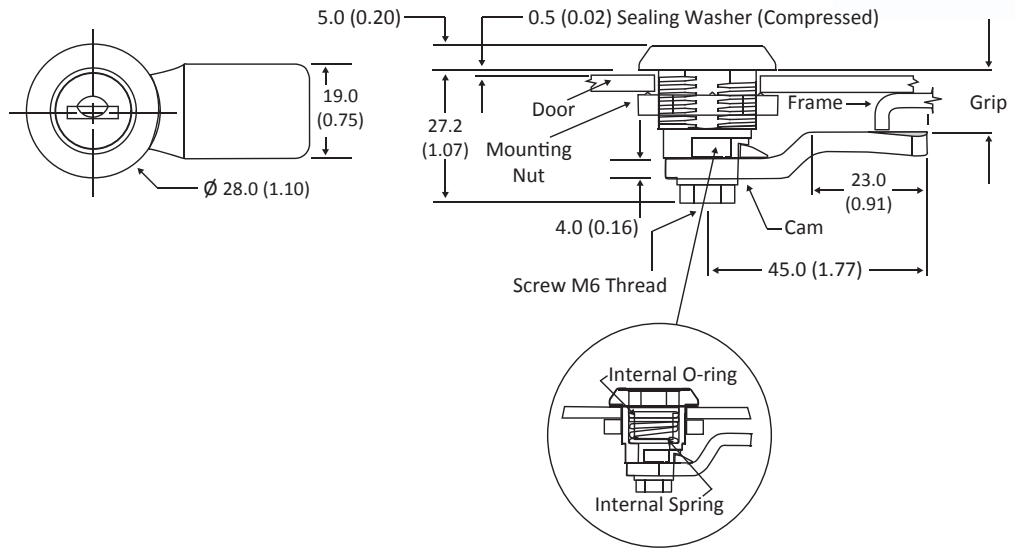
• Single hole installation • Latched/unlatched indicator • All sizes in millimeters



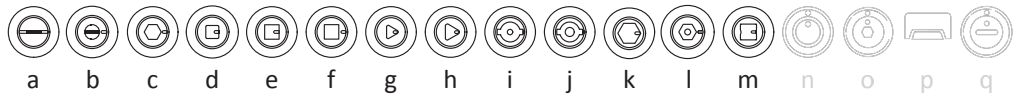
Grip Range	Latch Length	Part Number	
		Chrome	Black Powder Coated
4.0	45.0	CCL1	CCL2
6.0	45.0	CCL3	CCL4
8.0	45.0	CCL5	CCL6
10.0	45.0	CCL9	CCL10
12.0	45.0	CCL11	CCL12
14.0	45.0	CCL13	CCL14
16.0	45.0	CCL17	CCL18
18.0	45.0	CCL19	CCL20
20.0	45.0	CCL23	CCL24
22.0	45.0	CCL27	CCL28
24.0	45.0	CCL29	CCL30
26.0	45.0	CCL33	CCL34
28.0	45.0	CCL37	CCL38
30.0	45.0	CCL39	CCL40
32.0	45.0	CCL41	CCL42
34.0	45.0	CCL43	CCL44
36.0	45.0	CCL45	CCL46
38.0	45.0	CCL47	CCL48
40.0	45.0	CCL49	CCL50
42.0	45.0	CCL51	CCL52

CCL Tool Operated Quarter Turn Latch

• Single hole installation • Latched/unlatched indicator • All sizes in millimeters



- a = Slotted
- b = Recessed Slot
- c = 8 Hex Recess
- d = 7 Square
- e = 8 Square
- f = 8 Square Recess
- g = 7 Triangle
- h = 8 Triangle
- i = 3 Double Bit
- j = 5 Double Bit
- k = Bellcore 216
- l = Bellcore Electronics
- m = Railway Standard



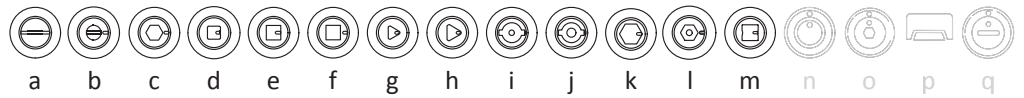
Head Type with Chrome Finish

Grip Range	(a)	(b)	(c)	(d)	(e)	(f)	(g)	(h)	(i)	(j)	(k)	(l)	(m)
4.0	CCL53	CCL557	CCL105	CCL243	CCL1248	CCL437	CCL145	CCL191	CCL333	CCL385	CCL477	CCL517	CCL597
6.0	CCL55	CCL559	CCL107	CCL245	CCL284	CCL439	CCL147	CCL193	CCL335	CCL387	CCL479	CCL1250	CCL599
8.0	CCL57	CCL561	CCL109	CCL247	CCL286	CCL441	CCL149	CCL195	CCL337	CCL389	CCL481	CCL521	CCL601
10.0	CCL61	CCL563	CCL111	CCL249	CCL288	CCL443	CCL151	CCL197	CCL339	CCL391	CCL483	CCL523	CCL603
12.0	CCL63	CCL565	CCL113	CCL251	CCL290	CCL445	CCL153	CCL199	CCL341	CCL393	CCL485	CCL525	CCL605
14.0	CCL65	CCL567	CCL115	CCL253	CCL292	CCL447	CCL155	CCL201	CCL343	CCL395	CCL487	CCL527	CCL607
16.0	CCL69	CCL569	CCL117	CCL255	CCL294	CCL449	CCL157	CCL203	CCL345	CCL397	CCL489	CCL529	CCL609
18.0	CCL71	CCL571	CCL119	CCL257	CCL296	CCL451	CCL159	CCL205	CCL347	CCL399	CCL491	CCL531	CCL611
20.0	CCL75	CCL573	CCL121	CCL259	CCL298	CCL453	CCL161	CCL207	CCL349	CCL401	CCL493	CCL533	CCL613
22.0	CCL77	CCL575	CCL123	CCL261	CCL300	CCL455	CCL163	CCL209	CCL351	CCL403	CCL495	CCL535	CCL615
24.0	CCL79	CCL577	CCL125	CCL263	CCL302	CCL457	CCL165	CCL211	CCL353	CCL405	CCL497	CCL537	CCL617
26.0	CCL83	CCL579	CCL127	CCL265	CCL304	CCL459	CCL167	CCL213	CCL355	CCL407	CCL499	CCL539	CCL619
28.0	CCL87	CCL581	CCL129	CCL267	CCL306	CCL461	CCL169	CCL215	CCL357	CCL409	CCL501	CCL541	CCL621
30.0	CCL91	CCL583	CCL131	CCL269	CCL308	CCL463	CCL171	CCL217	CCL359	CCL411	CCL503	CCL543	CCL623
32.0	CCL93	CCL585	CCL133	CCL271	CCL310	CCL465	CCL173	CCL219	CCL361	CCL413	CCL505	CCL545	CCL625
34.0	CCL95	CCL587	CCL135	CCL273	CCL312	CCL467	CCL175	CCL221	CCL363	CCL415	CCL507	CCL547	CCL627
36.0	CCL97	CCL589	CCL137	CCL275	CCL314	CCL469	CCL177	CCL223	CCL365	CCL417	CCL509	CCL549	CCL629
38.0	CCL99	CCL591	CCL139	CCL277	CCL316	CCL471	CCL179	CCL225	CCL367	CCL419	CCL511	CCL551	CCL631
40.0	CCL101	CCL593	CCL141	CCL279	CCL318	CCL473	CCL181	CCL227	CCL369	CCL421	CCL513	CCL553	CCL633
42.0	CCL103	CCL595	CCL143	CCL281	CCL320	CCL475	CCL183	CCL229	CCL371	CCL423	CCL515	CCL555	CCL635



CCL Tool Operated Quarter Turn Latch

- Single hole installation
- Latched/unlatched indicator
- All sizes in millimeters



Head Type with Black Powder Coating

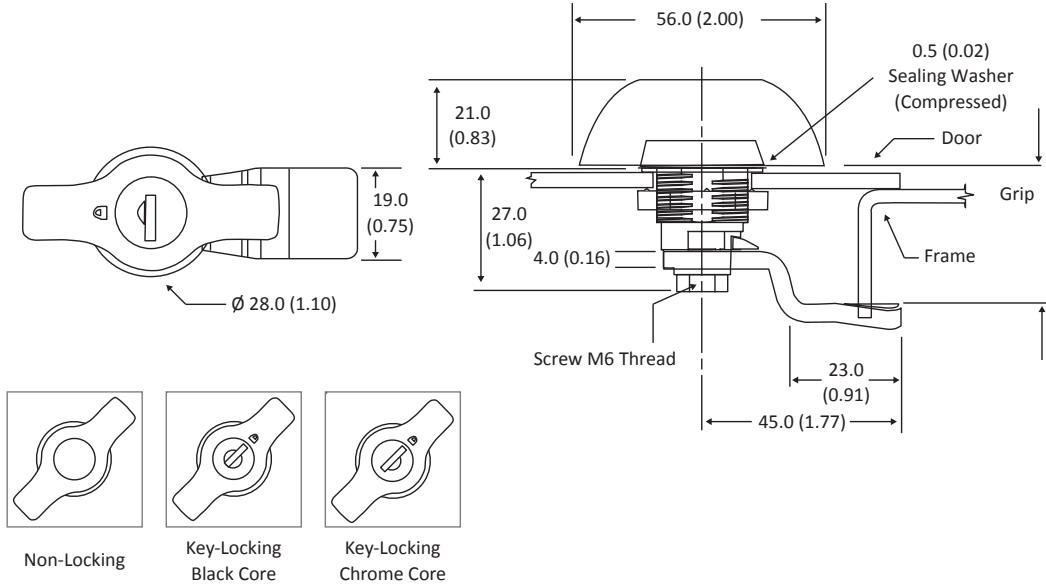
Grip Range	(a)	(b)	(c)	(d)	(e)	(f)	(g)	(h)	(i)	(j)	(k)	(l)	(m)
4.0	CCL54	CCL558	CCL106	CCL244	CCL283	CCL438	CCL146	CCL192	CCL334	CCL386	CCL478	CCL518	CCL598
6.0	CCL56	CCL560	CCL108	CCL246	CCL285	CCL440	CCL148	CCL194	CCL336	CCL388	CCL480	CCL520	CCL600
8.0	CCL58	CCL562	CCL110	CCL248	CCL287	CCL442	CCL150	CCL196	CCL338	CCL390	CCL482	CCL522	CCL602
10.0	CCL62	CCL564	CCL112	CCL250	CCL289	CCL444	CCL152	CCL198	CCL340	CCL392	CCL484	CCL524	CCL604
12.0	CCL64	CCL566	CCL114	CCL252	CCL291	CCL446	CCL154	CCL200	CCL342	CCL394	CCL486	CCL526	CCL606
14.0	CCL66	CCL568	CCL116	CCL254	CCL293	CCL448	CCL156	CCL202	CCL344	CCL396	CCL488	CCL528	CCL608
16.0	CCL70	CCL570	CCL118	CCL256	CCL295	CCL450	CCL158	CCL204	CCL346	CCL398	CCL490	CCL530	CCL610
18.0	CCL72	CCL572	CCL120	CCL258	CCL297	CCL452	CCL160	CCL206	CCL348	CCL400	CCL492	CCL532	CCL612
20.0	CCL76	CCL574	CCL122	CCL260	CCL299	CCL454	CCL162	CCL208	CCL350	CCL402	CCL494	CCL534	CCL614
22.0	CCL78	CCL576	CCL124	CCL262	CCL301	CCL456	CCL164	CCL210	CCL352	CCL404	CCL496	CCL536	CCL616
24.0	CCL80	CCL578	CCL126	CCL264	CCL303	CCL458	CCL166	CCL212	CCL354	CCL406	CCL498	CCL538	CCL618
26.0	CCL84	CCL580	CCL128	CCL266	CCL305	CCL460	CCL168	CCL214	CCL356	CCL408	CCL500	CCL540	CCL620
28.0	CCL88	CCL582	CCL130	CCL268	CCL307	CCL462	CCL170	CCL216	CCL358	CCL410	CCL502	CCL542	CCL622
30.0	CCL92	CCL584	CCL132	CCL270	CCL309	CCL464	CCL172	CCL218	CCL360	CCL412	CCL504	CCL544	CCL624
32.0	CCL94	CCL586	CCL134	CCL272	CCL311	CCL466	CCL174	CCL220	CCL362	CCL414	CCL506	CCL546	CCL626
34.0	CCL96	CCL588	CCL136	CCL274	CCL313	CCL468	CCL176	CCL222	CCL364	CCL416	CCL508	CCL548	CCL628
36.0	CCL98	CCL590	CCL138	CCL276	CCL315	CCL470	CCL178	CCL224	CCL366	CCL418	CCL510	CCL550	CCL630
38.0	CCL100	CCL592	CCL140	CCL278	CCL317	CCL472	CCL180	CCL226	CCL368	CCL420	CCL512	CCL552	CCL632
40.0	CCL102	CCL594	CCL142	CCL280	CCL319	CCL474	CCL182	CCL228	CCL370	CCL422	CCL514	CCL554	CCL634
42.0	CCL104	CCL596	CCL144	CCL282	CCL321	CCL476	CCL184	CCL230	CCL372	CCL424	CCL516	CCL556	CCL636

Head Type with Stainless Steel Finish

Grip Range	(a)	(b)	(c)	(d)	(e)	(f)	(g)	(h)	(i)	(j)	(k)	(l)	(m)
4.0	CCL640	-	CCL660	CCL720	CCL740	-	CCL679	CCL699	CCL760	CCL780	CCL800	-	CCL819
6.0	CCL641	-	CCL661	CCL721	CCL741	-	CCL680	CCL700	CCL761	CCL781	CCL801	-	CCL820
8.0	CCL642	-	CCL662	CCL722	CCL742	-	CCL681	CCL701	CCL762	CCL782	CCL802	-	CCL821
10.0	CCL643	-	CCL1246	CCL723	CCL743	-	CCL682	CCL702	CCL763	CCL783	CCL803	-	CCL822
12.0	CCL644	-	CCL663	CCL1247	CCL744	-	CCL683	CCL703	CCL764	CCL784	CCL804	-	CCL823
14.0	CCL645	-	CCL664	CCL724	CCL745	-	CCL684	CCL704	CCL765	CCL785	CCL805	-	CCL824
16.0	CCL646	-	CCL665	CCL725	CCL746	-	CCL685	CCL705	CCL766	CCL786	CCL806	-	CCL825
18.0	CCL647	-	CCL666	CCL727	CCL747	-	CCL686	CCL706	CCL767	CCL787	CCL807	-	CCL826
20.0	CCL648	-	CCL667	CCL728	CCL748	-	CCL687	CCL707	CCL768	CCL788	CCL808	-	CCL827
22.0	CCL649	-	CCL668	CCL729	CCL749	-	CCL688	CCL708	CCL769	CCL789	CCL809	-	CCL828
24.0	CCL650	-	CCL669	CCL730	CCL750	-	CCL689	CCL710	CCL770	CCL790	CCL1249	-	CCL829
26.0	CCL651	-	CCL670	CCL731	CCL751	-	CCL690	CCL711	CCL771	CCL791	CCL810	-	CCL830
28.0	CCL652	-	CCL671	CCL732	CCL752	-	CCL691	CCL712	CCL772	CCL792	CCL811	-	CCL831
30.0	CCL653	-	CCL672	CCL733	CCL753	-	CCL692	CCL713	CCL773	CCL793	CCL812	-	CCL832
32.0	CCL654	-	CCL673	CCL734	CCL754	-	CCL693	CCL714	CCL774	CCL794	CCL813	-	CCL833
34.0	CCL655	-	CCL674	CCL735	CCL755	-	CCL694	CCL715	CCL775	CCL795	CCL814	-	CCL834
36.0	CCL656	-	CCL675	CCL736	CCL756	-	CCL695	CCL716	CCL776	CCL796	CCL815	-	CCL835
38.0	CCL657	-	CCL676	CCL737	CCL757	-	CCL696	CCL717	CCL777	CCL797	CCL816	-	CCL836
40.0	CCL658	-	CCL677	CCL738	CCL758	-	CCL697	CCL718	CCL778	CCL798	CCL817	-	CCL837
42.0	CCL659	-	CCL678	CCL739	CCL759	-	CCL698	CCL719	CCL779	CCL799	CCL818	-	CCL838

CCL Wing Knob Cam Latch

- Single hole installation • Multiple key codes • All sizes in millimeters

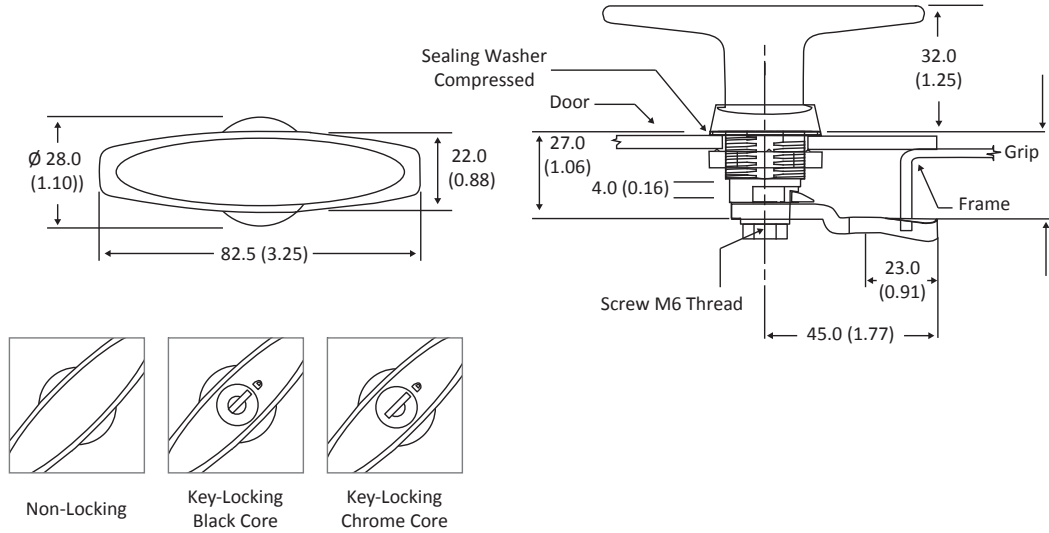


Grip Range	Part Number			
	Black Powder Coated Non-Locking	Black Powder Coated Locking Black Core	Stainless Steel Locking Black Core with Padlock (Clockwise)	Stainless Steel Locking Black Core with Padlock (Anti-Clockwise)
4.0	CCL839	CCL859	CCL943	CCL879
6.0	CCL840	CCL860	CCL944	CCL880
8.0	CCL841	CCL861	CCL945	CCL881
10.0	CCL842	CCL862	CCL946	CCL882
12.0	CCL843	CCL863	CCL947	CCL883
14.0	CCL844	CCL864	CCL948	CCL884
16.0	CCL845	CCL865	CCL949	CCL885
18.0	CCL846	CCL866	CCL950	CCL886
20.0	CCL847	CCL867	CCL951	CCL887
22.0	CCL848	CCL868	CCL952	CCL888
24.0	CCL849	CCL869	CCL953	CCL889
26.0	CCL850	CCL870	CCL954	CCL890
28.0	CCL851	CCL871	CCL955	CCL891
30.0	CCL852	CCL872	CCL956	CCL892
32.0	CCL853	CCL873	CCL957	CCL893
34.0	CCL854	CCL874	CCL958	CCL894
36.0	CCL855	CCL875	CCL959	CCL895
38.0	CCL856	CCL876	CCL960	CCL896
40.0	CCL857	CCL877	CCL961	CCL897
42.0	CCL858	CCL878	CCL962	CCL898



CCL T-Handle Cam Latch Stainless Steel

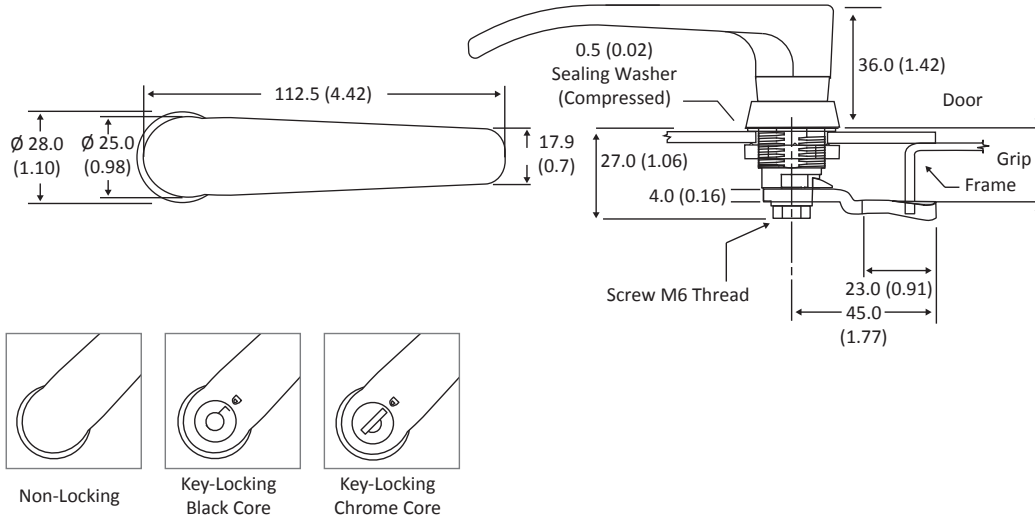
- Single hole installation
- Multiple key codes
- All sizes in millimeters



Part Number						
Grip Range	Black Powder Coated with Chrome Latch Non-Locking	Black Powder Coated Non-Locking	Black Powder Coated with Chrome Latch Locking with Key	Black Powder Coated Locking with Key	Black Powder Coated with Chrome Latch Locking with Key (Scalp Shuttered)	Black Powder Coated Locking with Key (Scalp Shuttered)
4.0	CCL1107	CCL1127	CCL1147	CCL1167	CCL1187	CCL1207
6.0	CCL1108	CCL1128	CCL1148	CCL1168	CCL1188	CCL1208
8.0	CCL1109	CCL1129	CCL1149	CCL1169	CCL1189	CCL1209
10.0	CCL1110	CCL1130	CCL1150	CCL1170	CCL1190	CCL1210
12.0	CCL1111	CCL1131	CCL1151	CCL1171	CCL1191	CCL1211
14.0	CCL1112	CCL1132	CCL1152	CCL1172	CCL1192	CCL1212
16.0	CCL1113	CCL1133	CCL1153	CCL1173	CCL1193	CCL1213
18.0	CCL1114	CCL1134	CCL1154	CCL1174	CCL1194	CCL1214
20.0	CCL1115	CCL1135	CCL1155	CCL1175	CCL1195	CCL1215
22.0	CCL1116	CCL1136	CCL1156	CCL1176	CCL1196	CCL1216
24.0	CCL1117	CCL1137	CCL1157	CCL1177	CCL1197	CCL1217
26.0	CCL1118	CCL1138	CCL1158	CCL1178	CCL1198	CCL1218
28.0	CCL1119	CCL1139	CCL1159	CCL1179	CCL1199	CCL1219
30.0	CCL1120	CCL1140	CCL1160	CCL1180	CCL1200	CCL1220
32.0	CCL1121	CCL1141	CCL1161	CCL1181	CCL1201	CCL1221
34.0	CCL1122	CCL1142	CCL1162	CCL1182	CCL1202	CCL1222
36.0	CCL1123	CCL1143	CCL1163	CCL1183	CCL1203	CCL1223
38.0	CCL1124	CCL1144	CCL1164	CCL1184	CCL1204	CCL1224
40.0	CCL1125	CCL1145	CCL1165	CCL1185	CCL1205	CCL1225
42.0	CCL1126	CCL1146	CCL1166	CCL1186	CCL1206	CCL1226

CCL L-Handle Cam Latch Stainless Steel

• Single hole installation • Multiple key codes • All sizes in millimeters

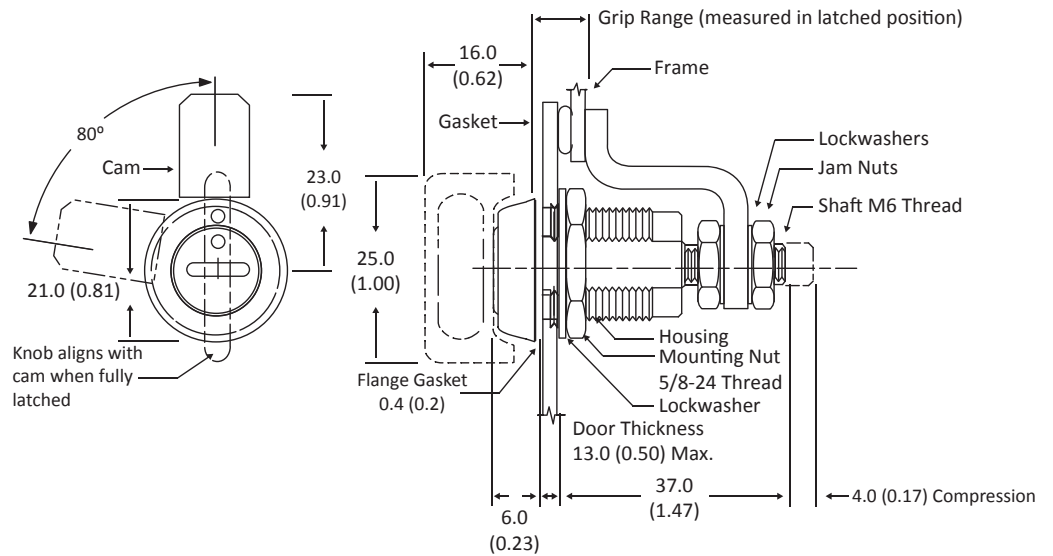


Grip Range	Part Number					
	Black Powder Coated with Chrome Latch Non-Locking	Black Powder Coated Non-Locking	Black Powder Coated with Chrome Latch Locking with Key	Black Powder Coated Locking with Key	Black Powder Coated with Chrome Latch Locking with Key (Scalp Shuttered)	Black Powder Coated Locking with Key (Scalp Shuttered)
4.0	CCL987	CCL1007	CCL1027	CCL1047	CCL1067	CCL1087
6.0	CCL988	CCL1008	CCL1028	CCL1048	CCL1068	CCL1088
8.0	CCL989	CCL1009	CCL1029	CCL1049	CCL1069	CCL1089
10.0	CCL990	CCL1010	CCL1030	CCL1050	CCL1070	CCL1090
12.0	CCL991	CCL1011	CCL1031	CCL1051	CCL1071	CCL1091
14.0	CCL992	CCL1012	CCL1032	CCL1052	CCL1072	CCL1092
16.0	CCL993	CCL1013	CCL1033	CCL1053	CCL1073	CCL1093
18.0	CCL994	CCL1014	CCL1034	CCL1054	CCL1074	CCL1094
20.0	CCL995	CCL1015	CCL1035	CCL1055	CCL1075	CCL1095
22.0	CCL996	CCL1016	CCL1036	CCL1056	CCL1076	CCL1096
24.0	CCL997	CCL1017	CCL1037	CCL1057	CCL1077	CCL1097
26.0	CCL998	CCL1018	CCL1038	CCL1058	CCL1078	CCL1098
28.0	CCL999	CCL1019	CCL1039	CCL1059	CCL1079	CCL1099
30.0	CCL1000	CCL1020	CCL1040	CCL1060	CCL1080	CCL1100
32.0	CCL1001	CCL1021	CCL1041	CCL1061	CCL1081	CCL1101
34.0	CCL1002	CCL1022	CCL1042	CCL1062	CCL1082	CCL1102
36.0	CCL1003	CCL1023	CCL1043	CCL1063	CCL1083	CCL1103
38.0	CCL1004	CCL1024	CCL1044	CCL1064	CCL1084	CCL1104
40.0	CCL1005	CCL1025	CCL1045	CCL1065	CCL1085	CCL1105
42.0	CCL1006	CCL1026	CCL1046	CCL1066	CCL1086	CCL1106



CMPL Compression Latch Stainless Steel & Zinc

- Consistent pre-set compression
- Easy grip adjustment
- Tool or hand operated
- All sizes in millimeters



- n = Tubular Head
- o = 4 Hex Recess
- p = Knob Style
- q = Slotted Recess



		Part Number (Stainless Steel)			
Grip Range Min	Grip Range Max	(n)	(o)	(p)	(q)
3.2	6.4	CMPL1	CMPL9	CMPL17	CMPL25
6.4	9.5	CMPL2	CMPL10	CMPL18	CMPL26
9.5	12.7	CMPL3	CMPL11	CMPL19	CMPL27
12.7	15.9	CMPL4	CMPL12	CMPL20	CMPL28
15.9	19.0	CMPL5	CMPL13	CMPL21	CMPL29
19.0	22.2	CMPL6	CMPL14	CMPL22	CMPL30
22.2	25.4	CMPL7	CMPL15	CMPL23	CMPL31
25.4	28.6	CMPL8	CMPL16	CMPL24	CMPL32

		Part Number (Chrome Plated Stainless Steel)			
Grip Range Min	Grip Range Max	(n)	(o)	(p)	(q)
3.2	6.4	CMPL33	CMPL41	CMPL49	CMPL57
6.4	9.5	CMPL34	CMPL42	CMPL50	CMPL58
9.5	12.7	CMPL35	CMPL43	CMPL51	CMPL59
12.7	15.9	CMPL36	CMPL44	CMPL52	CMPL60
15.9	19.0	CMPL37	CMPL45	CMPL53	CMPL61
19.0	22.2	CMPL38	CMPL46	CMPL54	CMPL62
22.2	25.4	CMPL39	CMPL47	CMPL55	CMPL63
25.4	28.6	CMPL40	CMPL48	CMPL56	CMPL64

CMPL Compression Latch Stainless Steel & Zinc

- Consistent pre-set compression
- Easy grip adjustment
- Tool or hand operated
- All sizes in millimeters



Part Number (Black Powder Coated Stainless Steel)

Grip Range Min	Grip Range Max	(n)	(o)	(p)	(q)
3.2	6.4	CMPL65	CMPL73	CMPL81	CMPL89
6.4	9.5	CMPL66	CMPL74	CMPL82	CMPL90
9.5	12.7	CMPL67	CMPL75	CMPL83	CMPL91
12.7	15.9	CMPL68	CMPL76	CMPL84	CMPL92
15.9	19.0	CMPL69	CMPL77	CMPL85	CMPL93
19.0	22.2	CMPL70	CMPL78	CMPL86	CMPL94
22.2	25.4	CMPL71	CMPL79	CMPL87	CMPL95
25.4	28.6	CMPL72	CMPL80	CMPL88	CMPL96

Part Number (Chrome Plated Zinc)

Grip Range Min	Grip Range Max	(n)	(o)	(p)	(q)
3.2	6.4	CMPL33	CMPL41	CMPL49	CMPL57
6.4	9.5	CMPL34	CMPL42	CMPL50	CMPL58
9.5	12.7	CMPL35	CMPL43	CMPL51	CMPL59
12.7	15.9	CMPL36	CMPL44	CMPL52	CMPL60
15.9	19.0	CMPL37	CMPL45	CMPL53	CMPL61
19.0	22.2	CMPL38	CMPL46	CMPL54	CMPL62
22.2	25.4	CMPL39	CMPL47	CMPL55	CMPL63
25.4	28.6	CMPL40	CMPL48	CMPL56	CMPL64

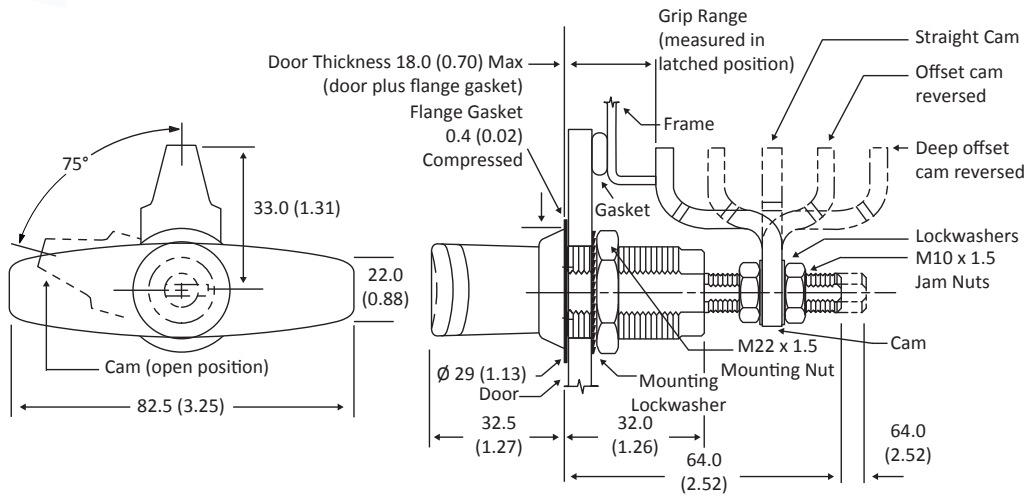
Part Number (Black Powder Coated Zinc)

Grip Range Min	Grip Range Max	(n)	(o)	(p)	(q)
3.2	6.4	CMPL65	CMPL73	CMPL81	CMPL89
6.4	9.5	CMPL66	CMPL74	CMPL82	CMPL90
9.5	12.7	CMPL67	CMPL75	CMPL83	CMPL91
12.7	15.9	CMPL68	CMPL76	CMPL84	CMPL92
15.9	19.0	CMPL69	CMPL77	CMPL85	CMPL93
19.0	22.2	CMPL70	CMPL78	CMPL86	CMPL94
22.2	25.4	CMPL71	CMPL79	CMPL87	CMPL95
25.4	28.6	CMPL72	CMPL80	CMPL88	CMPL96



CMPL T-Handle Compression Latch

- Consistent pre-set compression
- Easy grip adjustment
- Adjustable grip
- All sizes in millimeters



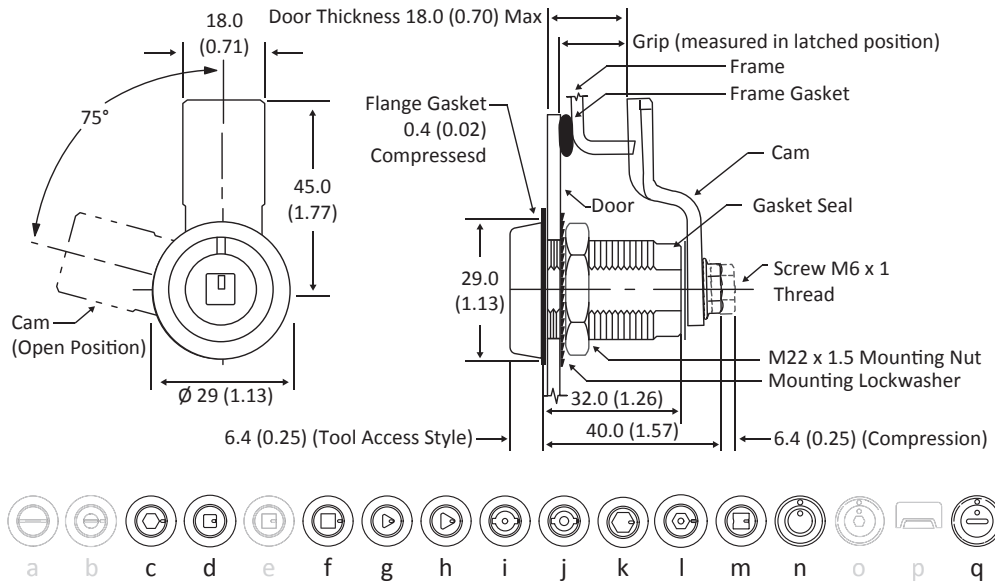
		Part Number					
Grip Range Min	Grip Range Max	Black Powder Coated Non-Locking	Chrome Non-Locking	Black Powder Coated Standard Knob	Chrome Standard Knob	Black Powder Coated with Key Lock	Chrome with Key Lock
11.4	76.2	CMPL97	CMPL100	CMPL103	CMPL106	CMPL109	CMPL112
25.4	68.3	CMPL98	CMPL101	CMPL104	CMPL107	CMPL110	CMPL113
38.9	54.6	CMPL99	CMPL102	CMPL105	CMPL108	CMPL111	CMPL114

A full range of Bridge Handles are available online

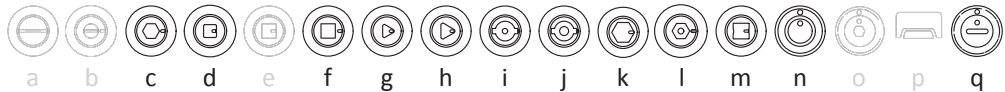


CMPL Large Compression Latch

- Consistent pre-set compression
- Quick installation
- All sizes in millimeters



- c = 8 Hex Recess
- d = 7 Square
- f = 8 Square Recess
- g = 7 Triangle
- h = 8 Triangle
- i = 3 Double Bit
- j = 5 Double Bit
- k = Bellcore 216
- l = Bellcore Electronics
- m = Railway Standard
- n = Tubular Head
- q = Slotted Recess



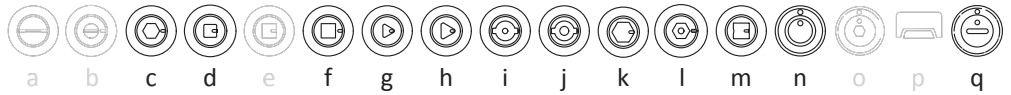
Head Type with Chrome Finish

Grip Range	Door Thickness	(c)	(d)	(f)	(g)	(h)	(i)	(j)	(k)	(l)	(m)	(n)	(q)
19.0	1.0	CMPL259	CMPL187	CMPL331	CMPL151	CMPL475	CMPL115	CMPL511	CMPL403	CMPL439	CMPL367	CMPL223	CMPL295
21.0	2.0	CMPL260	CMPL188	CMPL332	CMPL152	CMPL476	CMPL116	CMPL512	CMPL404	CMPL440	CMPL368	CMPL224	CMPL296
23.0	4.0	CMPL261	CMPL189	CMPL333	CMPL153	CMPL477	CMPL117	CMPL513	CMPL405	CMPL441	CMPL369	CMPL225	CMPL297
25.0	5.0	CMPL262	CMPL190	CMPL334	CMPL154	CMPL478	CMPL118	CMPL514	CMPL406	CMPL442	CMPL370	CMPL226	CMPL298
27.0	6.0	CMPL263	CMPL191	CMPL335	CMPL155	CMPL479	CMPL119	CMPL515	CMPL407	CMPL443	CMPL371	CMPL227	CMPL299
29.0	7.0	CMPL264	CMPL192	CMPL336	CMPL156	CMPL480	CMPL120	CMPL516	CMPL408	CMPL444	CMPL372	CMPL228	CMPL300
31.0	7.0	CMPL265	CMPL193	CMPL337	CMPL157	CMPL481	CMPL121	CMPL517	CMPL409	CMPL445	CMPL373	CMPL229	CMPL301
33.0	7.0	CMPL266	CMPL194	CMPL338	CMPL158	CMPL482	CMPL122	CMPL518	CMPL410	CMPL446	CMPL374	CMPL230	CMPL302
35.0	7.0	CMPL267	CMPL195	CMPL339	CMPL159	CMPL483	CMPL123	CMPL519	CMPL411	CMPL447	CMPL375	CMPL231	CMPL303
37.0	7.0	CMPL268	CMPL196	CMPL340	CMPL160	CMPL484	CMPL124	CMPL520	CMPL412	CMPL448	CMPL376	CMPL232	CMPL304
39.0	7.0	CMPL269	CMPL197	CMPL341	CMPL161	CMPL485	CMPL125	CMPL521	CMPL413	CMPL449	CMPL377	CMPL233	CMPL305
41.0	7.0	CMPL270	CMPL198	CMPL342	CMPL162	CMPL486	CMPL126	CMPL522	CMPL414	CMPL450	CMPL378	CMPL234	CMPL306
43.0	7.0	CMPL271	CMPL199	CMPL343	CMPL163	CMPL487	CMPL127	CMPL523	CMPL415	CMPL451	CMPL379	CMPL235	CMPL307
45.0	7.0	CPL272	CMPL200	CMPL344	CMPL164	CMPL488	CMPL128	CMPL524	CMPL416	CMPL452	CMPL380	CMPL236	CMPL308
47.0	7.0	CMPL273	CMPL201	CMPL345	CMPL165	CMPL489	CMPL129	CMPL525	CMPL417	CMPL453	CMPL381	CMPL237	CMPL309
49.0	7.0	CMPL274	CMPL202	CMPL346	CMPL166	CMPL490	CMPL130	CMPL526	CMPL418	CMPL454	CMPL382	CMPL238	CMPL310
51.0	7.0	CMPL275	CMPL203	CMPL347	CMPL167	CMPL491	CMPL131	CMPL527	CMPL419	CMPL455	CMPL383	CMPL239	CMPL311
53.0	7.0	CMPL276	CMPL204	CMPL348	CMPL168	CMPL492	CMPL132	CMPL528	CMPL420	CMPL456	CMPL384	CMPL240	CMPL312



CMPL Large Compression Latch

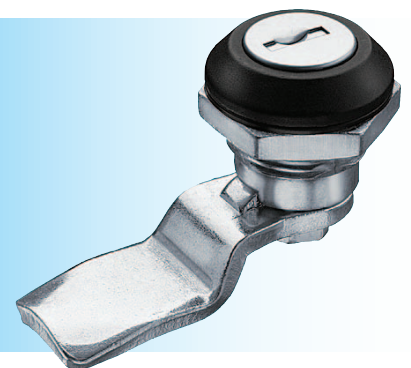
- Consistent pre-set compression
- Quick installation
- All sizes in millimeters



Head Type with Black Powder Coated Finish

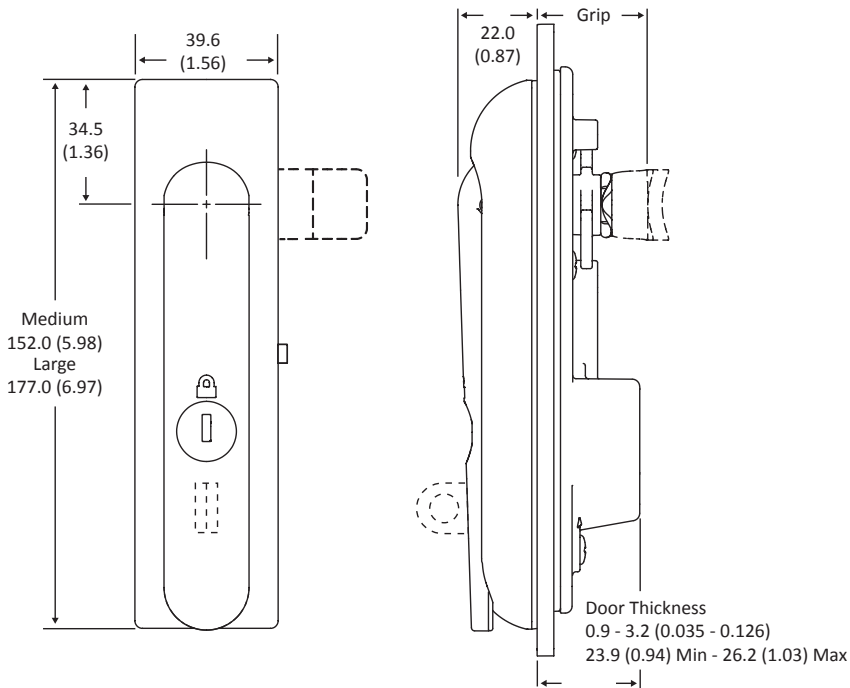
Grip Range	Door Thickness	(c)	(d)	(f)	(g)	(h)	(i)	(j)	(k)	(l)	(m)	(n)	(q)
19.0	1.0	CMPL277	CMPL205	CMPL349	CMPL169	CMPL493	CMPL133	CMPL529	CMPL421	CMPL457	CMPL385	CMPL241	CMPL313
21.0	2.0	CMPL278	CMPL206	CMPL350	CMPL170	CMPL494	CMPL134	CMPL530	CMPL422	CMPL458	CMPL386	CMPL242	CMPL314
23.0	4.0	CMPL279	CMPL207	CMPL351	CMPL171	CMPL495	CMPL135	CMPL531	CMPL423	CMPL459	CMPL387	CMPL243	CMPL315
25.0	5.0	CMPL280	CMPL208	CMPL352	CMPL172	CMPL496	CMPL136	CMPL532	CMPL424	CMPL460	CMPL388	CMPL244	CMPL316
27.0	6.0	CMPL281	CMPL209	CMPL353	CMPL173	CMPL497	CMPL137	CMPL533	CMPL425	CMPL461	CMPL389	CMPL245	CMPL317
29.0	7.0	CMPL282	CMPL210	CMPL354	CMPL174	CMPL498	CMPL138	CMPL534	CMPL426	CMPL462	CMPL390	CMPL246	CMPL318
31.0	7.0	CMPL283	CMPL211	CMPL355	CMPL175	CMPL499	CMPL139	CMPL535	CMPL427	CMPL463	CMPL391	CMPL247	CMPL319
33.0	7.0	CMPL284	CMPL212	CMPL356	CMPL176	CMPL500	CMPL140	CMPL536	CMPL428	CMPL464	CMPL392	CMPL248	CMPL320
35.0	7.0	CMPL285	CMPL213	CMPL357	CMPL177	CMPL501	CMPL141	CMPL537	CMPL429	CMPL465	CMPL393	CMPL249	CMPL321
37.0	7.0	CMPL286	CMPL214	CMPL358	CMPL178	CMPL502	CMPL142	CMPL538	CMPL430	CMPL466	CMPL394	CMPL250	CMPL322
39.0	7.0	CMPL287	CMPL215	CMPL359	CMPL179	CMPL503	CMPL143	CMPL539	CMPL431	CMPL467	CMPL395	CMPL251	CMPL323
41.0	7.0	CMPL288	CMPL216	CMPL360	CMPL180	CMPL504	CMPL144	CMPL540	CMPL432	CMPL468	CMPL396	CMPL252	CMPL324
43.0	7.0	CMPL289	CMPL217	CMPL361	CMPL181	CMPL505	CMPL145	CMPL541	CMPL433	CMPL469	CMPL397	CMPL253	CMPL325
45.0	7.0	CMPL290	CMPL218	CMPL362	CMPL182	CMPL506	CMPL146	CMPL542	CMPL434	CMPL470	CMPL398	CMPL254	CMPL326
47.0	7.0	CMPL291	CMPL219	CMPL363	CMPL183	CMPL507	CMPL147	CMPL543	CMPL435	CMPL471	CMPL399	CMPL255	CMPL327
49.0	7.0	CMPL292	CMPL220	CMPL364	CMPL184	CMPL508	CMPL148	CMPL544	CMPL436	CMPL472	CMPL400	CMPL256	CMPL328
51.0	7.0	CMPL293	CMPL221	CMPL365	CMPL185	CMPL509	CMPL149	CMPL545	CMPL437	CMPL473	CMPL401	CMPL257	CMPL329
53.0	7.0	CMPL294	CMPL222	CMPL366	CMPL186	CMPL510	CMPL150	CMPL546	CMPL438	CMPL474	CMPL402	CMPL258	CMPL330

Find the full range of latches and catches online at www.component-force.co.uk



SH Swing Handle - Steel and Zinc

- Multiple locking options • Zinc alloy swinghandle • All sizes in millimeters



Grip Range Min	Height	Locking	Part Number	
			Black Powder Coated	Satin Chrome
10.3	152.0	No	SH35	SH19
10.3	152.0	Yes	SH67	SH51
10.3	177.0	No	SH99	SH83
10.3	177.0	Yes	SH131	SH115
12.3	152.0	No	SH36	SH20
12.3	152.0	Yes	SH68	SH52
12.3	177.0	No	SH100	SH84
12.3	177.0	Yes	SH132	SH116
14.3	152.0	No	SH37	SH21
14.3	152.0	Yes	SH69	SH53
14.3	177.0	No	SH101	SH85
14.3	177.0	Yes	SH133	SH117
16.3	152.0	No	SH38	SH22
16.3	152.0	Yes	SH70	SH54
16.3	177.0	No	SH102	SH86
16.3	177.0	Yes	SH134	SH118
18.3	152.0	No	SH39	SH23
18.3	152.0	Yes	SH71	SH55
18.3	177.0	No	SH103	SH87
18.3	177.0	Yes	SH135	SH119
20.3	152.0	No	SH40	SH24
20.3	152.0	Yes	SH72	SH56
20.3	177.0	No	SH104	SH88
20.3	177.0	Yes	SH136	SH120
22.3	152.0	No	SH41	SH25



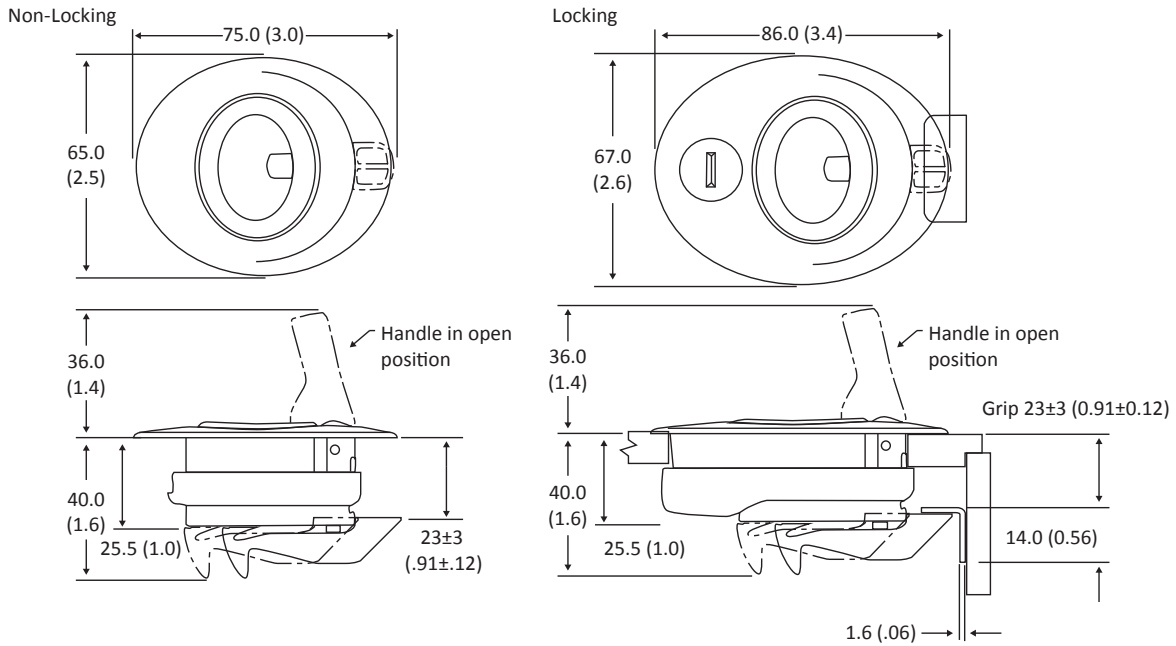
SH Swing Handle Steel and Zinc

- Multiple locking options
- Zinc alloy swinghandle
- All sizes in millimeters

Grip Range Min	Height	Locking	Part Number	
			Black Powder Coated	Satin Chrome
22.3	152.0	Yes	SH73	SH57
22.3	177.0	No	SH105	SH89
22.3	177.0	Yes	SH137	SH121
24.3	152.0	No	SH42	SH26
24.3	152.0	Yes	SH74	SH58
24.3	177.0	No	SH106	SH90
24.3	177.0	Yes	SH138	SH122
26.3	152.0	No	SH43	SH27
26.3	152.0	Yes	SH75	SH59
26.3	177.0	No	SH107	SH91
26.3	177.0	Yes	SH139	SH123
28.3	152.0	No	SH44	SH28
28.3	152.0	Yes	SH76	SH60
28.3	177.0	No	SH108	SH92
28.3	177.0	Yes	SH140	SH124
30.3	152.0	No	SH45	SH29
30.3	152.0	Yes	SH77	SH61
30.3	177.0	No	SH109	SH93
30.3	177.0	Yes	SH141	SH125
32.3	152.0	No	SH46	SH30
32.3	152.0	Yes	SH78	SH62
32.3	177.0	No	SH110	SH94
32.3	177.0	Yes	SH142	SH126
34.3	152.0	No	SH47	SH31
34.3	152.0	Yes	SH79	SH63
34.3	177.0	No	SH111	SH95
34.3	177.0	Yes	SH143	SH127
36.3	152.0	No	SH48	SH32
36.3	152.0	Yes	SH80	SH64
36.3	177.0	No	SH112	SH96
36.3	177.0	Yes	SH144	SH128
38.3	152.0	No	SH49	SH33
38.3	152.0	Yes	SH81	SH65
38.3	177.0	No	SH113	SH97
38.3	177.0	Yes	SH145	SH129
40.3	152.0	No	SH50	SH34
40.3	152.0	Yes	SH82	SH66
40.3	177.0	No	SH114	SH98
40.3	177.0	Yes	SH146	SH130

PCL Medium Round Push to Close Latch

- Adjustable Grip
- Round-hole installation
- Inside actuation when locked or unlocked
- All sizes in millimeters



Grip Range Min	Grip Range Max	Door Thickness Min	Door Thickness Max	Locking	Part Number		
					Stainless Steel	Black Powder Coated	White Powder Coated
20.0	26.0	10.0	16.0	No	PCL9	PCL13	PCL17
20.0	26.0	10.0	16.0	Yes	PCL11	PCL15	PCL19
20.0	26.0	16.0	22.0	No	PCL10	PCL14	PCL18
20.0	26.0	16.0	22.0	Yes	PCL12	PCL16	PCL20

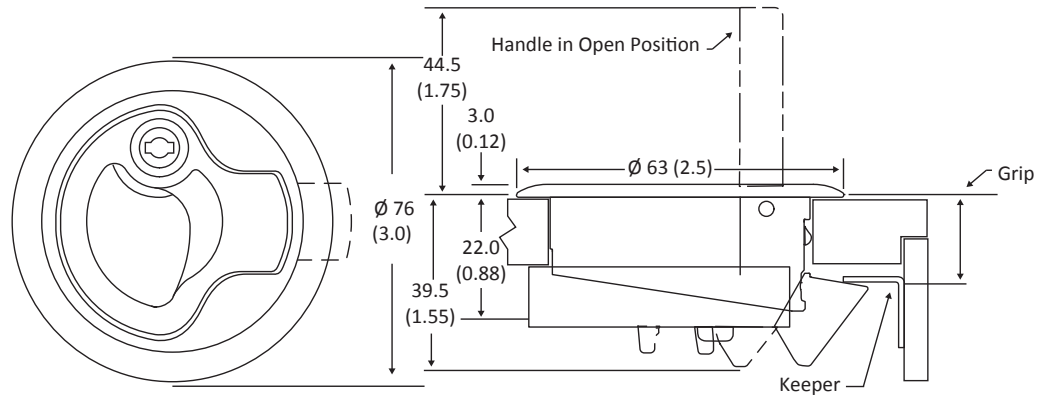


Find the full range of latches and catches online at www.component-force.co.uk



PCL Large Round Push to Close Latch

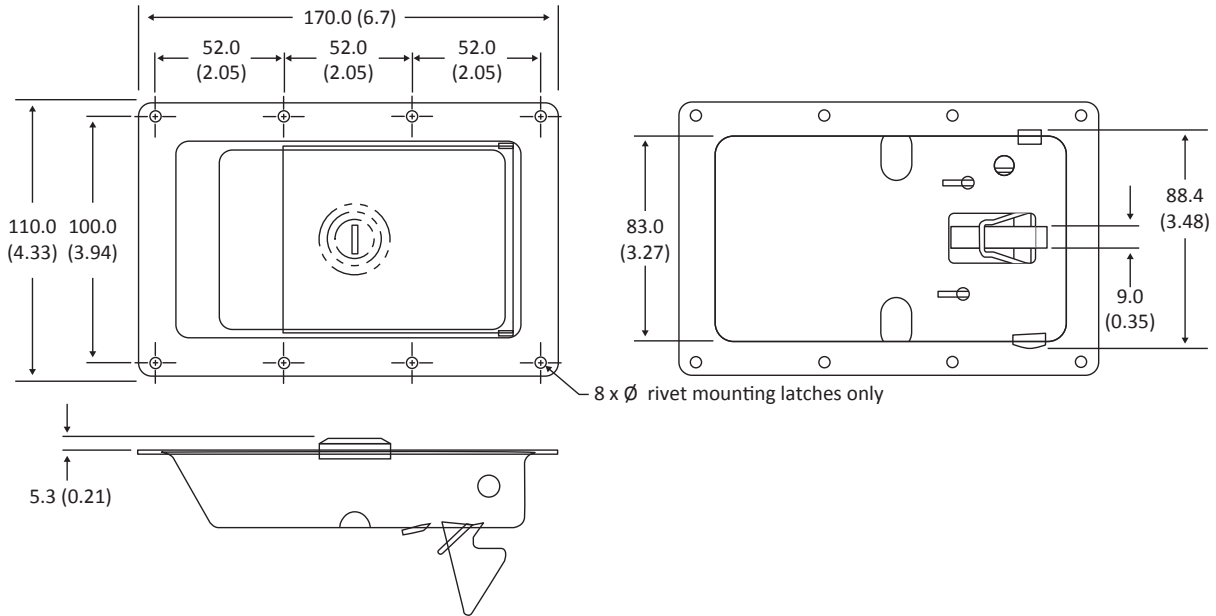
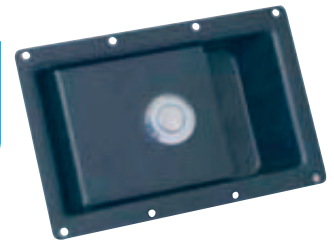
- Corrosion-resistant materials
 - Single round-hole installation
 - Inside actuation when locked or unlocked
- All sizes in millimeters



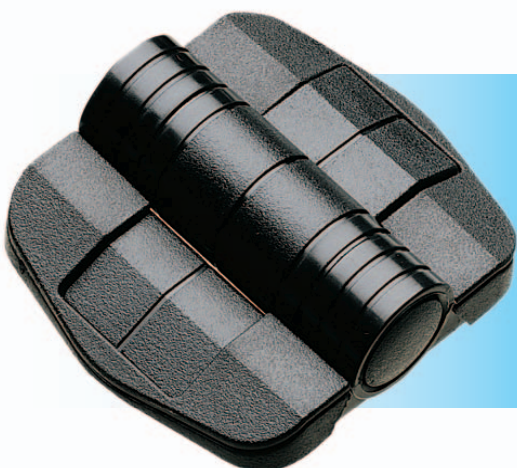
Grip Range Min	Grip Range Max	Mounting Bracket Height	Door Thickness Min	Door Thickness Max	Part Number (Stainless Steel)	
					Non Locking	Locking
19.5	20.5	22.0	2.0	12.0	PCL1	PCL5
19.5	20.5	12.0	12.0	22.0	PCL3	PCL7
31.5	32.5	22.0	2.0	12.0	PCL2	PCL6
31.5	32.5	12.0	12.0	22.0	PCL4	PCL8

PCL Heavy Duty Square Push to Close Latch

• Robust design • Multiple mounting styles • Pull to open • All sizes in millimeters



Grip Range Min	Door Thickness Min	Type	Part Number			
			Chrome Non Locking	Chrome Locking	Black Coated Steel Non Locking	Black Coated Steel Locking
17.2	37.9	Weld	PCL31	PCL33	PCL32	PCL34
17.2	37.9	4.9 mm Rivet	PCL62	PCL64	PCL63	PCL65
17.2	37.9	5.2 mm Rivet	PCL66	PCL68	PCL67	PCL69

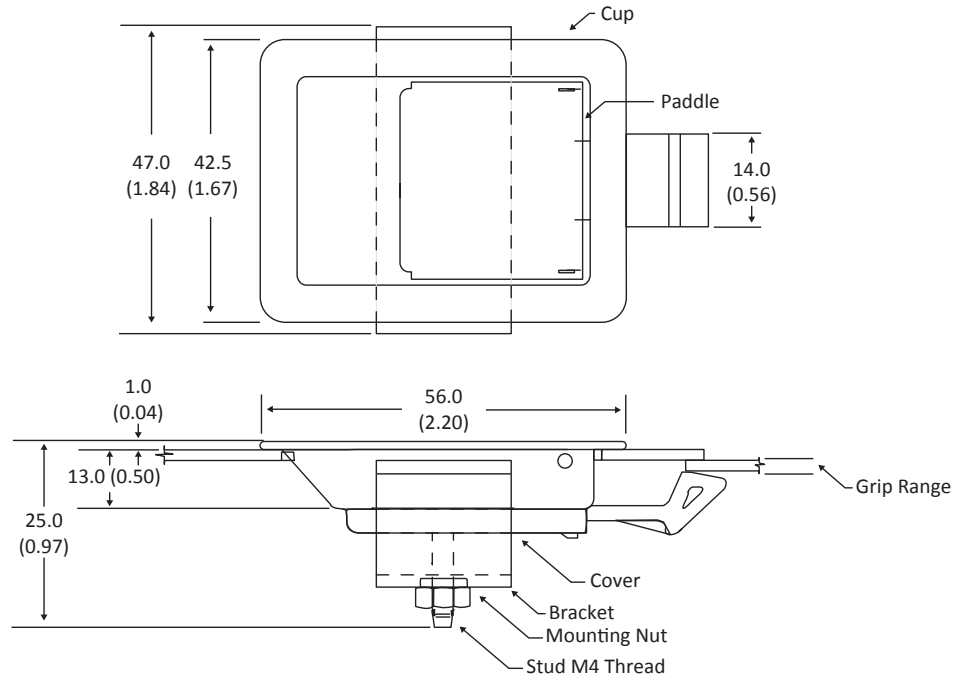
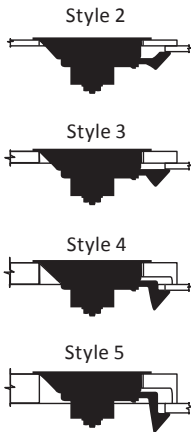


Did you know we do hinges?
 Go to *page 26* to see
 just a fraction of our full range!



PCL Small Square Push to Close Latch with Plastic Slide

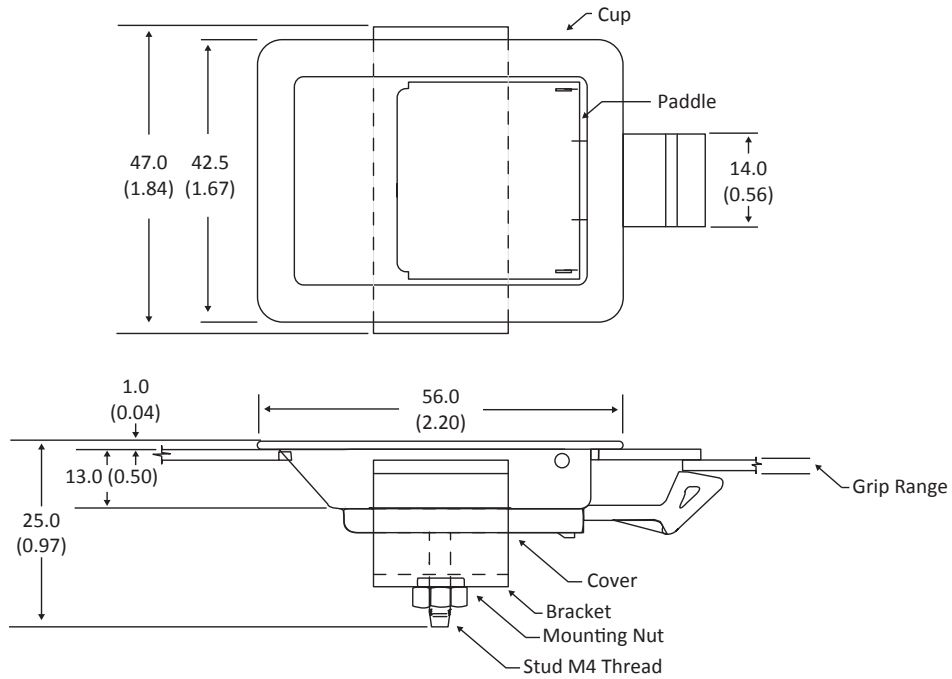
• Single hole installation • Concealed mounting • Plastic slide • Pull to open • All sizes in millimeters



Grip Range Min	Grip Range Max	Door Thickness Min	Slide Style	Locking	Colour	Part Number
1.2	2.0	-	1	No	Brushed Steel	PCL36
2.8	3.6	-	2	No	Brushed Steel	PCL37
2.8	3.6	3.9	2	No	Brushed Steel	PCL38
6.0	6.7	-	3	No	Brushed Steel	PCL39
6.0	6.7	3.9	3	No	Brushed Steel	PCL40
12.3	13.1	-	4	No	Brushed Steel	PCL41
12.3	13.1	3.9	4	No	Brushed Steel	PCL42
12.3	13.1	11.1	4	No	Brushed Steel	PCL43
12.3	13.1	18.6	4	No	Brushed Steel	PCL44
18.6	19.4	-	5	No	Brushed Steel	PCL45
18.6	19.4	11.1	5	No	Brushed Steel	PCL46
18.6	19.4	18.6	5	No	Brushed Steel	PCL47

PCL Small Square Push to Close Latch with Metal Slide

- Single hole installation • Concealed mounting • Metal slide • Pull to open • All sizes in millimeters

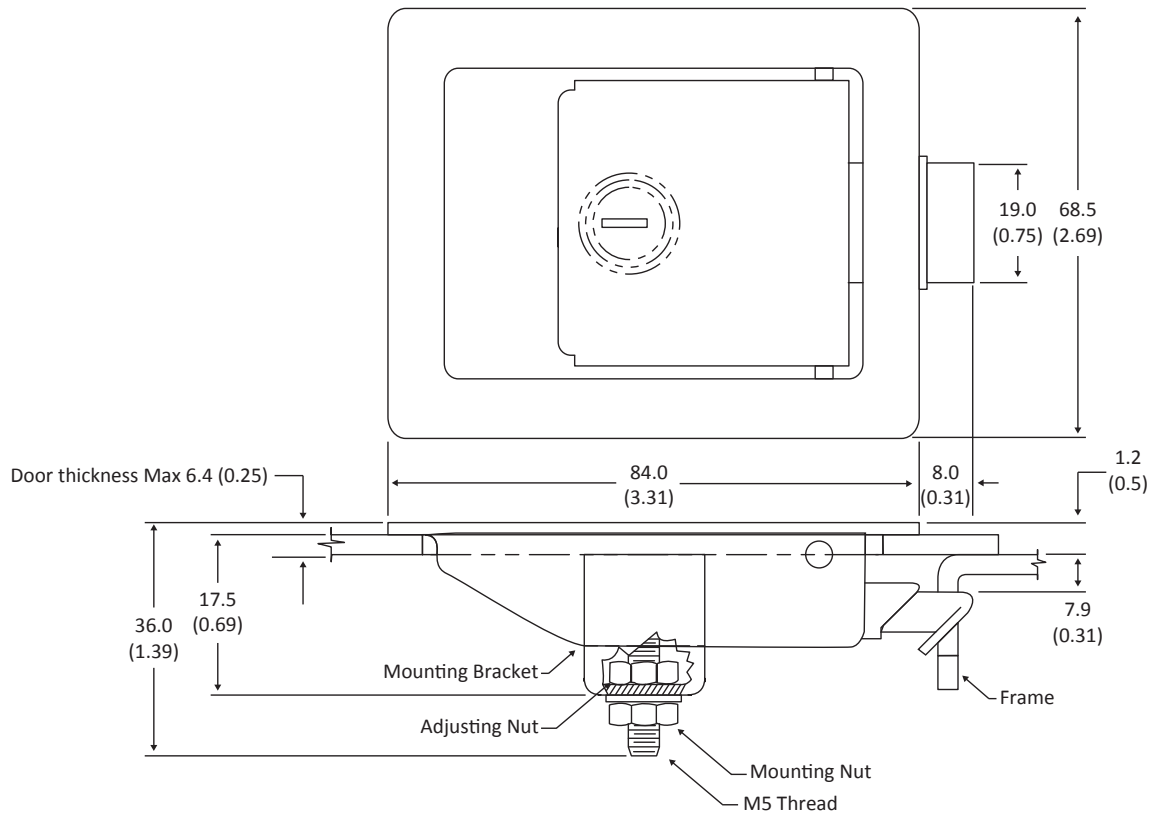


Grip Range Min	Grip Range Max	Door Thickness Min	Locking	Part Number	
				Brushed Stainless Steel	Black Powder Coated
1.2	2.0	25.0	No	PCL48	PCL51
2.0	2.8	25.0	No	PCL49	PCL52
2.8	3.6	25.0	No	PCL50	PCL53



PCL Medium Square Push to Close Latch with Metal Slide

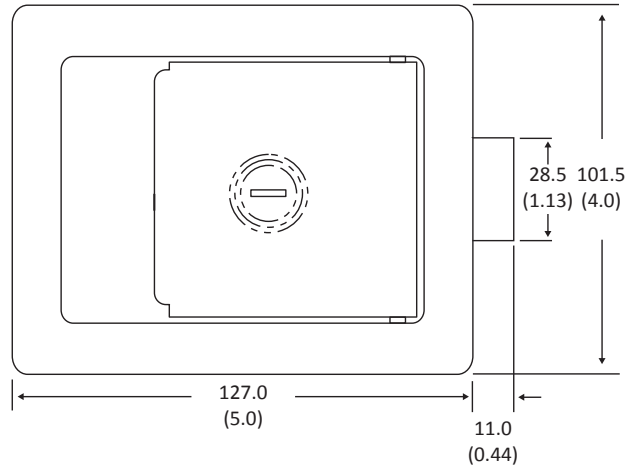
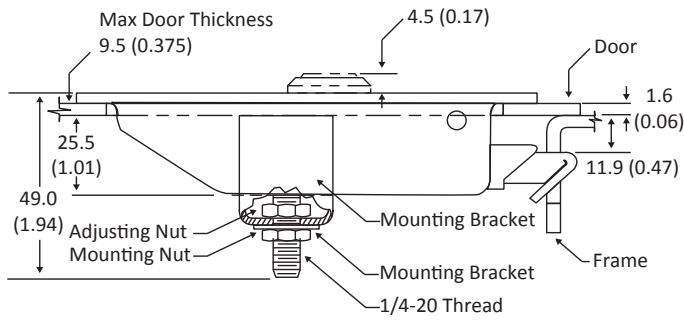
- Single hole installation
- Concealed mounting
- Metal slide
- Pull to open
- All sizes in millimeters



Grip Range Min	Door Thickness Min	Locking	Part Number	
			Brushed Stainless Steel	Black Powder Coated
8.0	6.4	No	PCL55	PCL54
8.0	6.4	Yes	PCL57	PCL56

PCL Large Square Push to Close Latch with Metal Slide

- Single hole installation • Concealed mounting • Metal slide • Pull to open • All sizes in millimeters

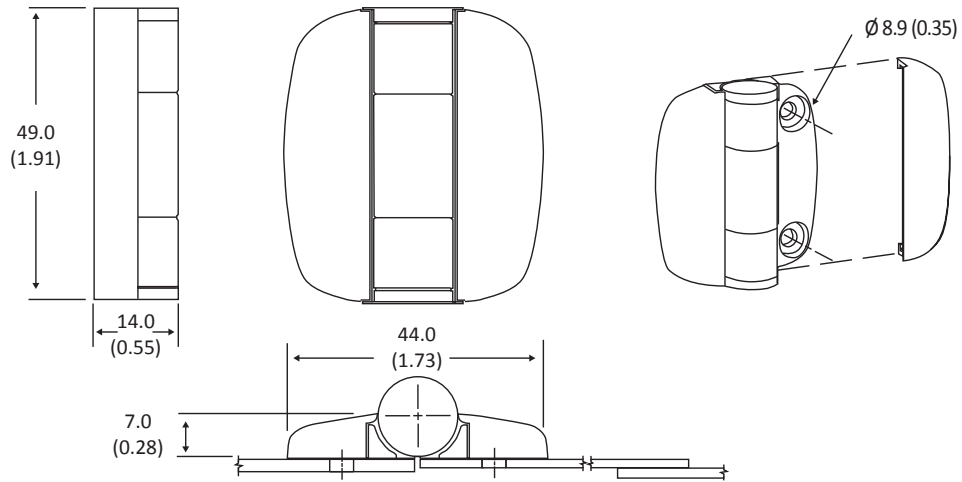


Grip Range Min	Door Thickness Min	Locking	Fixing Type	Colour	Part Number
10.2	9.5	Yes	Weld	Stainless Steel	PCL58
10.2	9.5	Yes	Weld	Black Powder Coated	PCL59
10.2	9.5	Yes	4.9mm Rivet Holes	Stainless Steel	PCL74
10.2	9.5	Yes	4.9mm Rivet Holes	Black Powder Coated	PCL75
10.2	9.5	Yes	5.2mm Rivet Holes	Stainless Steel	PCL76
10.2	9.5	Yes	5.2mm Rivet Holes	Black Powder Coated	PCL77
10.2	9.5	Yes	Weld	Stainless Steel	PCL60
10.2	9.5	No	Weld	Black Powder Coated	PCL61
10.2	9.5	No	4.9mm Rivet Holes	Stainless Steel	PCL70
10.2	9.5	No	4.9mm Rivet Holes	Black Powder Coated	PCL71
10.2	9.5	No	5.2mm Rivet Holes	Stainless Steel	PCL72
10.2	9.5	No	5.2mm Rivet Holes	Black Powder Coated	PCL73



HIG Plastic Counterbore Hinge with Position Control

- Holds doors open without mechanical support
- All sizes in millimeters



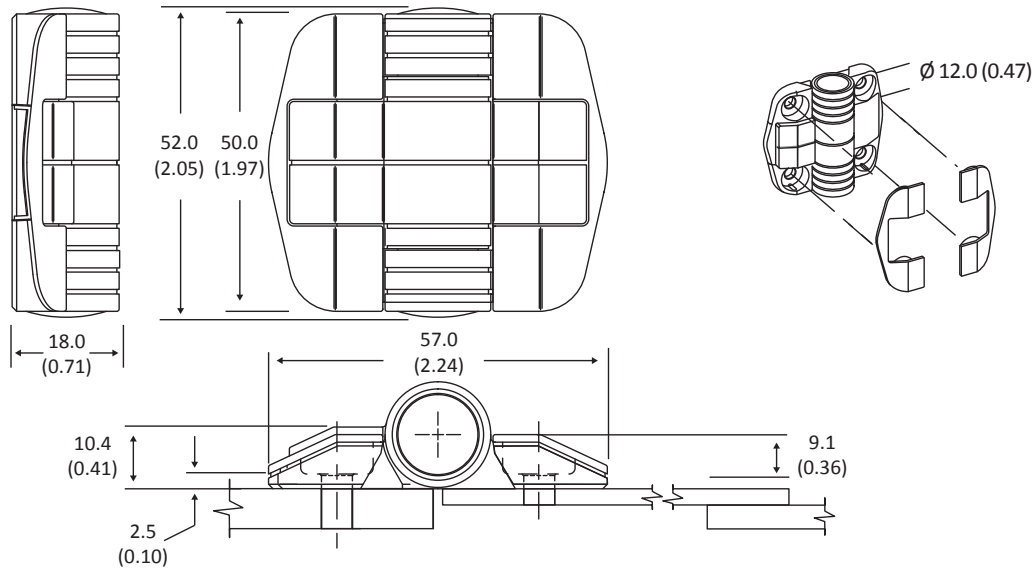
Length	Width	Thickness	Style	Screw Hole	Colour	Part Number
49.0	44.0	14.0	Free Swing	4 x 8.9	Black	HIG28
49.0	44.0	14.0	Detent 170° range	4 x 8.9	Black	HIG29

Visit us online at
www.component-force.co.uk
 to see our full range of hinges

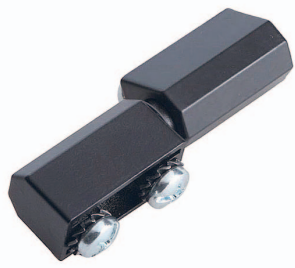


HIG Metal Counterbore Hinge with Position Control

• Holds doors open without mechanical support • All sizes in millimeters

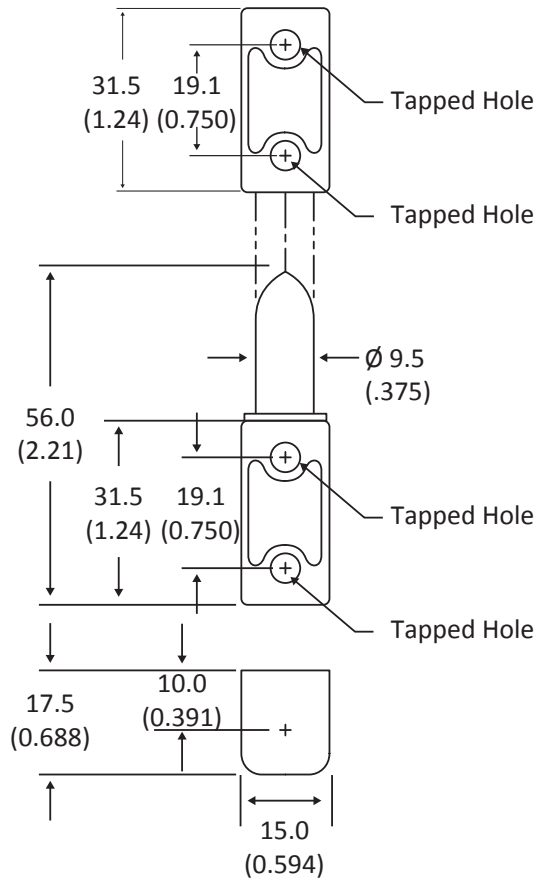


Length	Width	Thickness	Type	Torque	Part Number	
					Black with Stainless Steel Core	Black with Hardened Stainless Steel Core
52.0	57.0	18.0	Free Swing	-	HIG30	HIG31
52.0	57.0	18.0	80° Range	0.7	HIG32	HIG33
52.0	57.0	18.0	80° Range	1.1	HIG34	HIG35
52.0	57.0	18.0	80° Range	1.7	HIG36	HIG37
52.0	57.0	18.0	115° Range	0.7	HIG38	HIG39
52.0	57.0	18.0	115° Range	1.1	HIG40	HIG41
52.0	57.0	18.0	115° Range	1.7	HIG42	HIG43
52.0	57.0	18.0	150° Range	0.7	HIG44	HIG45
52.0	57.0	18.0	150° Range	1.1	HIG46	HIG47
52.0	57.0	18.0	150° Range	1.7	HIG48	HIG49



HIG Basic Lift Off - In-Line Hinge

- Allows for quick, easy door removal
- Door can also be permanently installed
- All sizes in millimeters



Length	Width	Thickness	Imperial or Metric	Colour	Part Number
31.5	56.0	17.5	10.0 - 32.0	Black	HIG50
31.5	56.0	17.5	M5 x 0.8	Black	HIG51

Find all the parts you need
to finish off your project online
www.component-force.co.uk

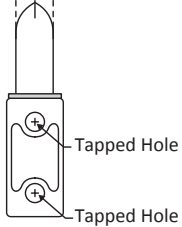
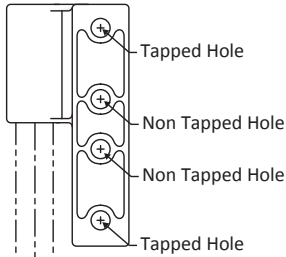
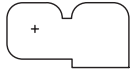


HIG Decorative Lift Off - Off-Set Hinge

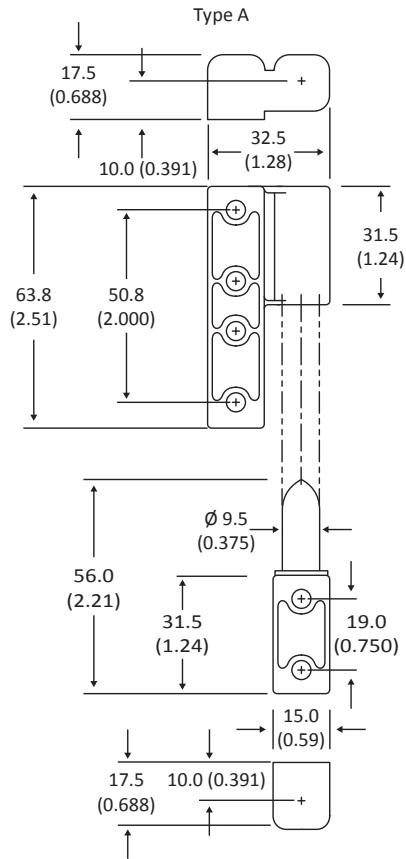
- Allows for quick, easy door removal
- Door can also be permanently installed
- All sizes in millimeters



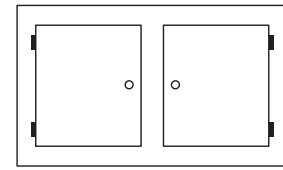
Type B



Type A



Use type B hinges



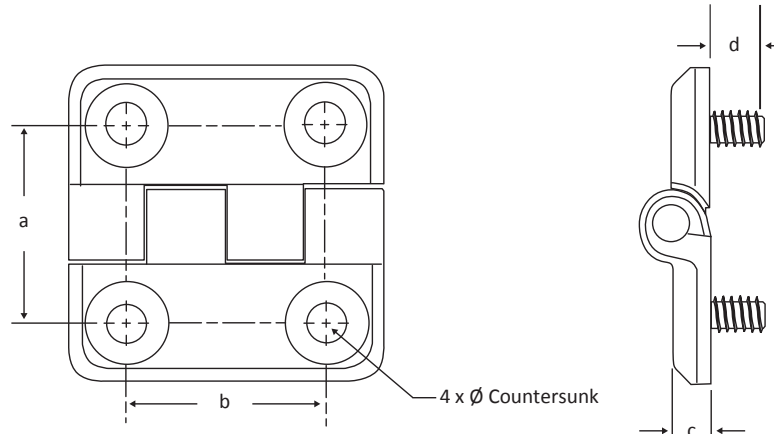
Use type B hinges

Length	Width	Thickness	Imperial or Metric	Part Number	
				Type A	Type B
63.8	32.5	17.5	10.0 - 32.0	HIG52	HIG54
63.8	32.5	17.5	M5 x 0.8	HIG53	HIG55



HIG Surface Mount Hinge

- Easy installation
- Strong and durable fixing
- All sizes in millimeters

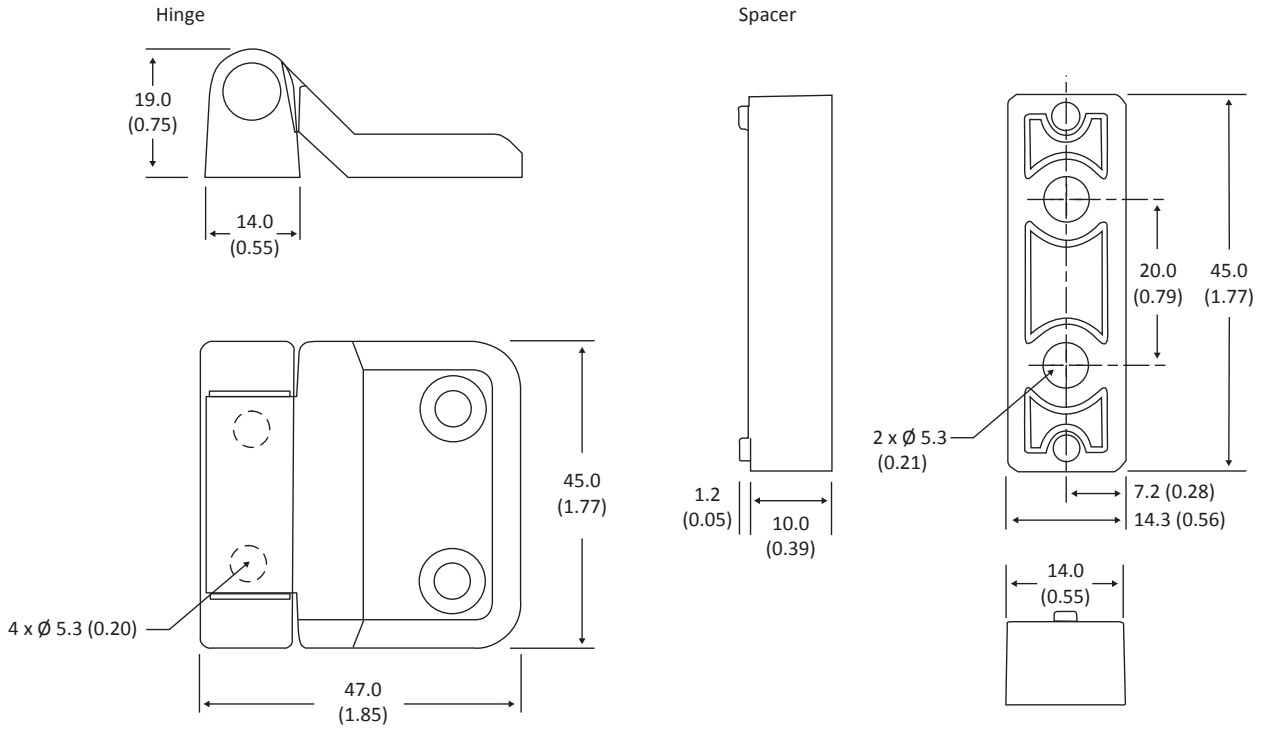
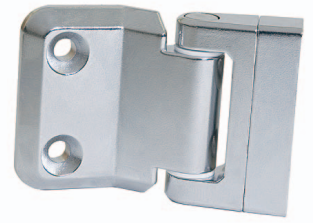


Length (a)	Width (b)	Thickness (c)	Thread Type (d)	Part Number (Threaded Studs)		
				Bright Chrome	Black Zinc	Black Nylon
40.0	40.0	9.0	4 x M5	HIG68	HIG69	-
50.0	50.0	11.0	4 x M6	HIG70	HIG71	HIG72

Length (a)	Width (b)	Thickness (c)	Part Number (Counter Sunk Thru-Holes)		
			Bright Chrome	Black Zinc	Black Nylon
40.0	40.0	9.0	HIG73	-	HIG74
50.0	50.0	11.0	HIG75	HIG77	HIG76
60.0	76.0	15.0	HIG78	-	HIG79

HIG Surface Mount Offset Hinge with Thru Holes

- Offset pivot maximises cabinet access
- Ideal for closely spaced enclosures
- All sizes in millimeters



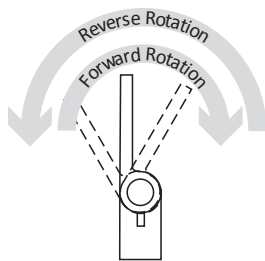
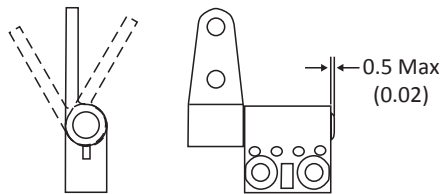
Length	Width	Thickness	Number and Size Screw Holes	Part Number (Threaded Studs)	
				Bright Chrome	Black Zinc
45.0	47.0	19.0	4 x 5.3	HIG80	HIG81
45.0	14.0	10.0	2 x 5.3	HIG82	HIG83



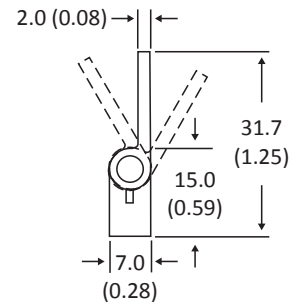
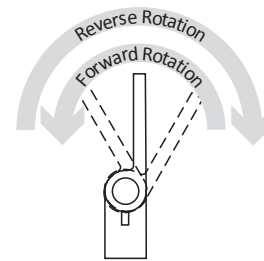
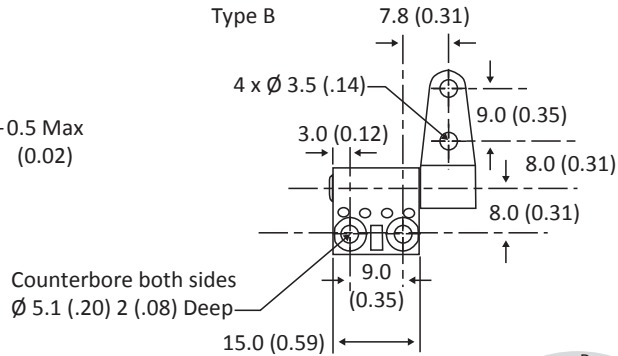
HIG Symmetric Torque Position Controlled Hinge

- Space efficient design
- Constant torque, never needs adjusting
- All sizes in millimeters

Type A



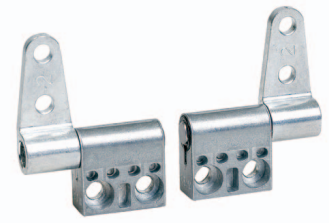
Type B



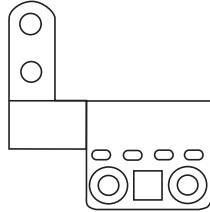
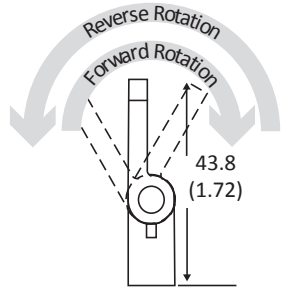
Length	Width	Thickness	Static Torque	Part Number (Natural Steel)	
				Type A	Type B
43.8	41.3	10.0	0.9	HIG85	HIG89
43.8	41.3	10.0	1.36	HIG86	HIG90
43.8	41.3	10.0	1.81	HIG87	HIG91
43.8	41.3	10.0	2.26	HIG88	HIG92

HIG Asymmetric Torque Position Controlled Hinge

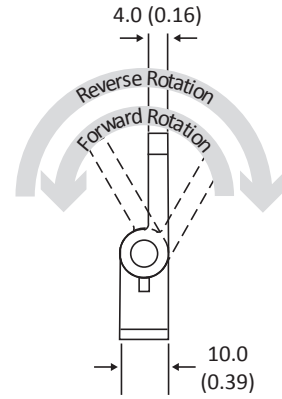
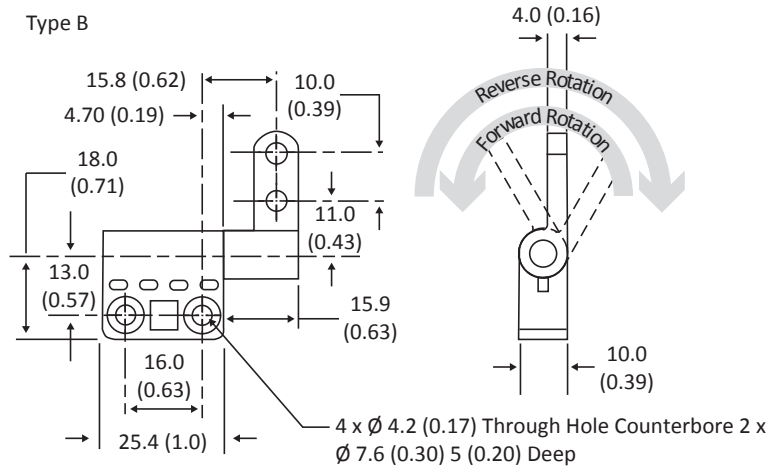
- Space efficient design
- Different torque in each direction
- All sizes in millimeters



Type A



Type B

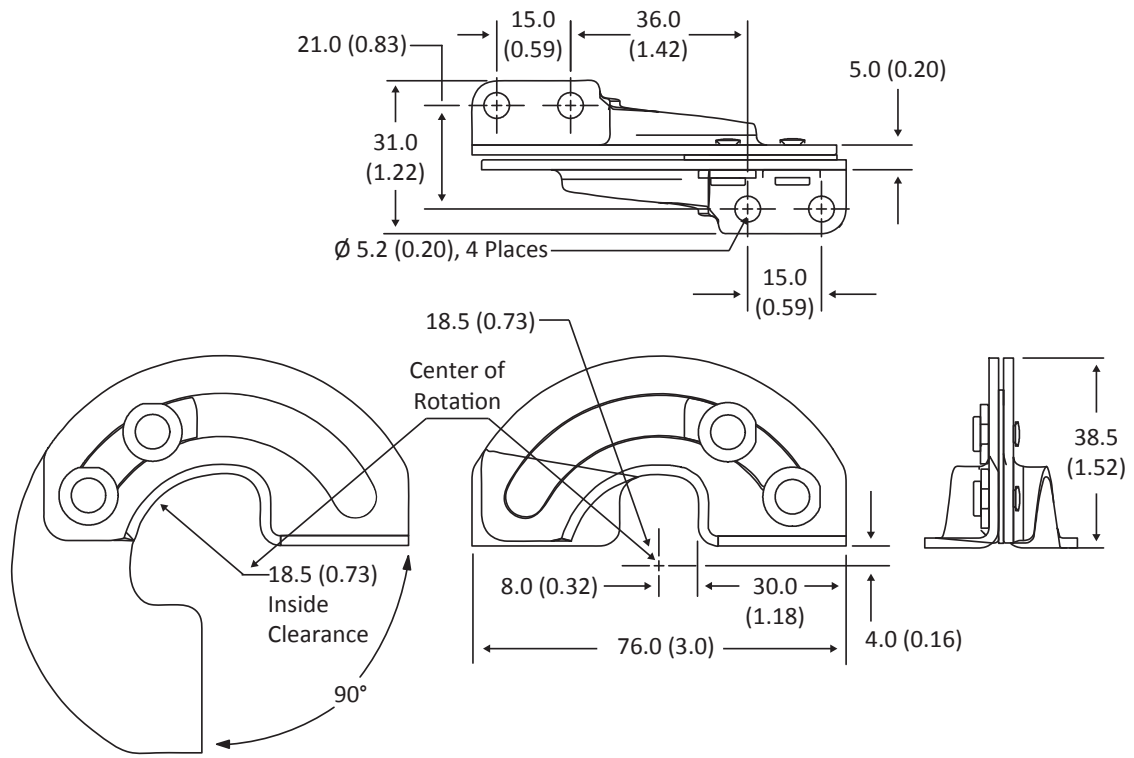


Length	Width	Thickness	Static Torque	Static Torque Reverse	Part Number (Natural Steel)	
					Type A	Type B
43.8	41.3	10.0	1.36	0.81	HIG204	HIG98
43.8	41.3	10.0	1.81	1.08	HIG93	HIG99
43.8	41.3	10.0	2.26	1.36	HIG94	HIG100
43.8	41.3	10.0	0.81	1.34	HIG95	HIG101
43.8	41.3	10.0	1.08	1.84	HIG96	HIG102
43.8	41.3	10.0	1.36	2.26	HIG97	HIG103



HIG Concealed 90° Opening Arc Hinge

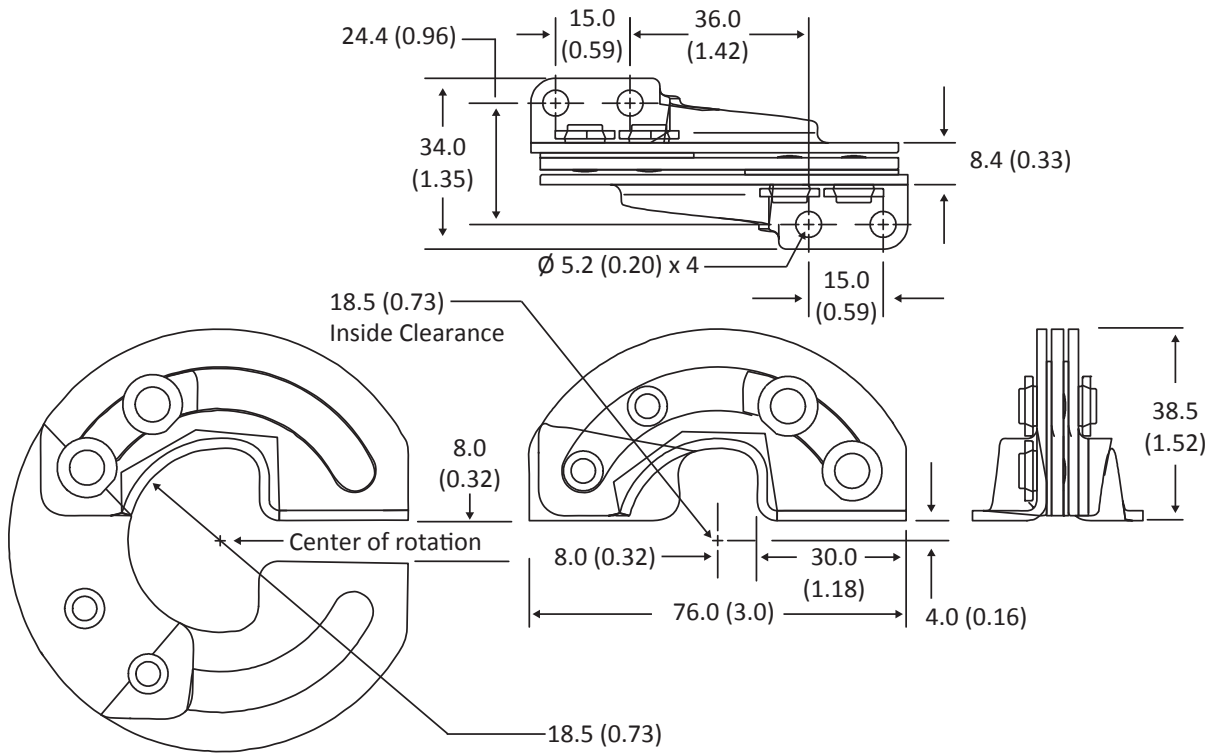
• Invisible when door is closed • All sizes in millimeters



Length	Width	Thickness	Colour	Part Number
76.0	38.5	31.0	Chrome	HIG105
76.0	38.5	31.0	Natural Steel	HIG106

HIG Concealed 180° Opening Arc Hinge

- Invisible when door is closed
- Door-stay for horizontal door & lid applications
- All sizes in millimeters



Length	Width	Thickness	Colour	Part Number
76.0	38.5	34.4	Chrome	HIG107
76.0	38.5	34.4	Natural Steel	HIG108

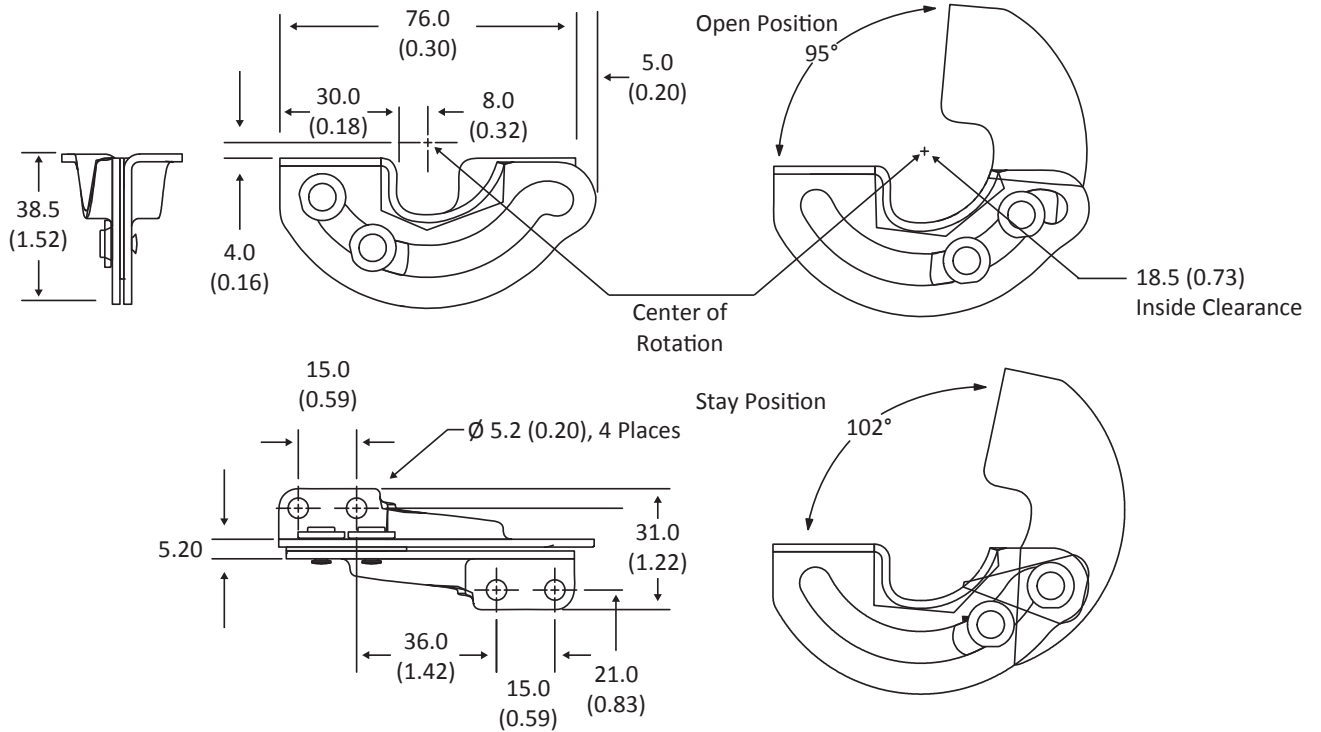


Find all the parts you need
to finish off your project online
www.component-force.co.uk



HIG Concealed 102° Opening Arc Hinge

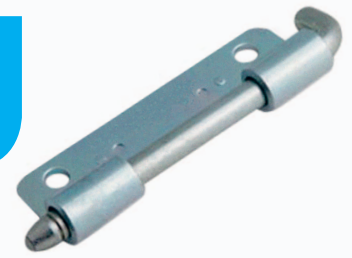
• Invisible when door is closed • All sizes in millimeters



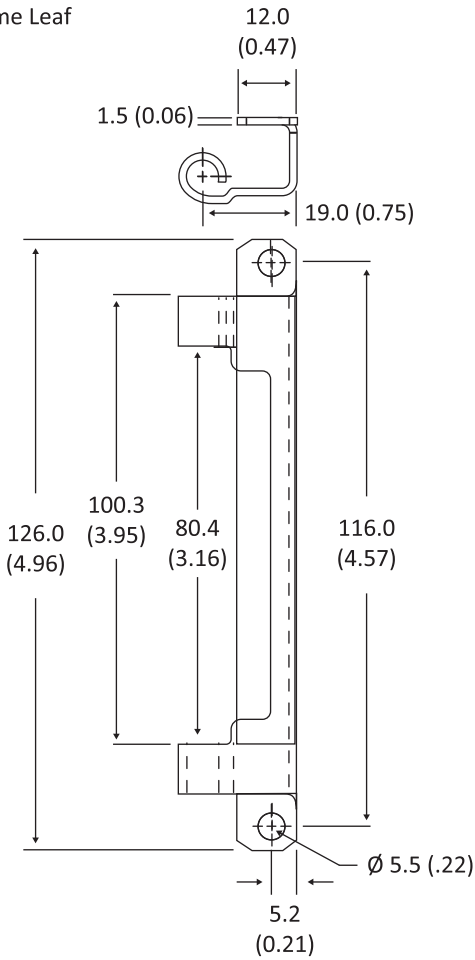
Length	Width	Thickness	Colour	Part Number
76.0	31.0	38.5	Chrome	HIG109
76.0	31.0	38.5	Natural Steel	HIG110

HIG Concealed Removable Hinge

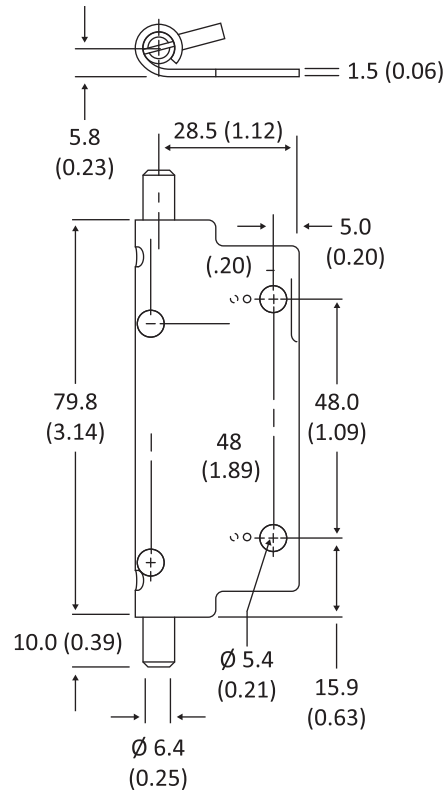
- Hinge and hardware are concealed
- Allows for quick easy door removal
- All sizes in millimeters



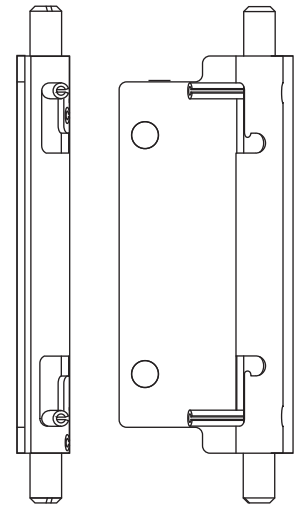
Frame Leaf



Door Leaf



Hinge Pin

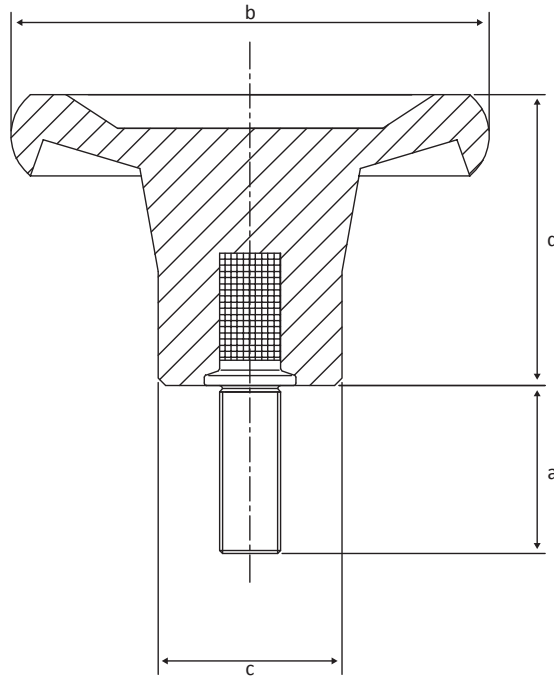


Length	Width	Thickness	Series	Colour	Part Number
126.0	28.5	11.6	1	Natural Steel	HIG111
126.0	28.5	11.6	1	Stainless Steel	HIG112
126.0	28.5	11.6	2	Natural Steel	HIG113
126.0	28.5	11.6	2	Stainless Steel	HIG114
126.0	28.5	11.6	3	Natural Steel	HIG115
126.0	28.5	11.6	3	Stainless Steel	HIG116



HW Solid Handwheel - Male

- Heavy duty industrial option
- Stainless steel thread protects against rust
- All sizes in millimeters



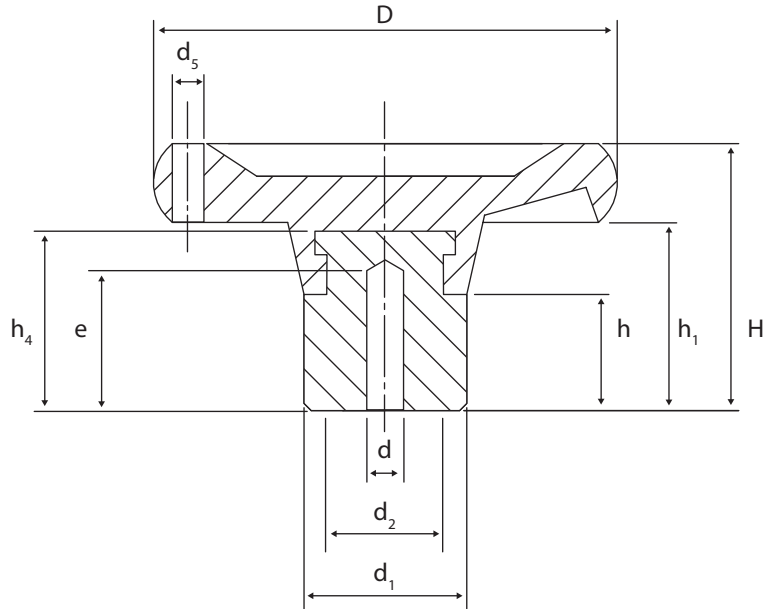
Thread Size	Thread Length (a)	Head Diameter Maximum (b)	Head Diameter Minimum (c)	Head Height (d)	Colour	Part Number
M8	27.0	45.0	20.0	26.0	Black	HW663
M12	40.0	80.0	30.0	37.0	Black	HW665
M10	33.0	65.0	25.0	30.0	Black	HW664

A full range of Bridge Handles are available online



HW Solid Handwheel with Handle Hole

- Heavy duty industrial option
- Attaching a handle gives extra leverage
- All sizes in millimeters

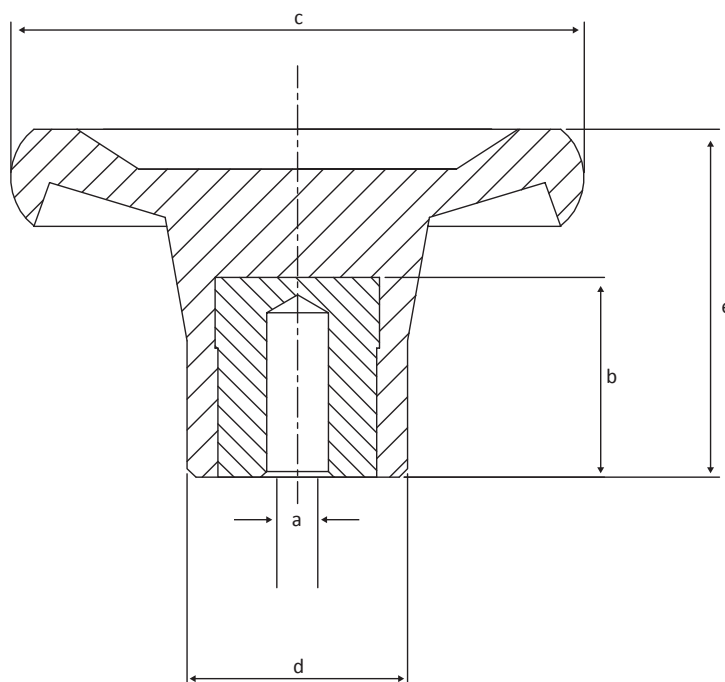


Handle Supplied	Handle Thread Size (d5)	Thread Length (e)	Head Diameter Max - mm (D)	Head Diameter Min - mm (d1)	Head Height (H)	Colour	Bore Size (d)	Part Number
No	M6	24.89	100.08	39.88	52.07	Black	7.87	HW623
No	M8	24.89	124.97	39.88	64.01	Black	7.87	HW624
No	M10	29.97	150.11	50.04	82.04	Black	9.91	HW625
No	M10	29.97	175.01	50.04	84.07	Black	9.91	HW626
No	M12	29.97	199.90	50.04	86.11	Black	9.91	HW627
Yes	M6	24.89	100.08	39.88	52.07	Black	7.87	HW675
Yes	M8	24.89	124.97	39.88	64.01	Black	7.87	HW676
Yes	M10	29.97	150.11	50.04	82.04	Black	9.91	HW677
Yes	M10	29.97	175.01	50.04	84.07	Black	9.91	HW678
Yes	M12	29.97	199.90	50.04	86.11	Black	9.91	HW679



HW Solid Handwheel - Female

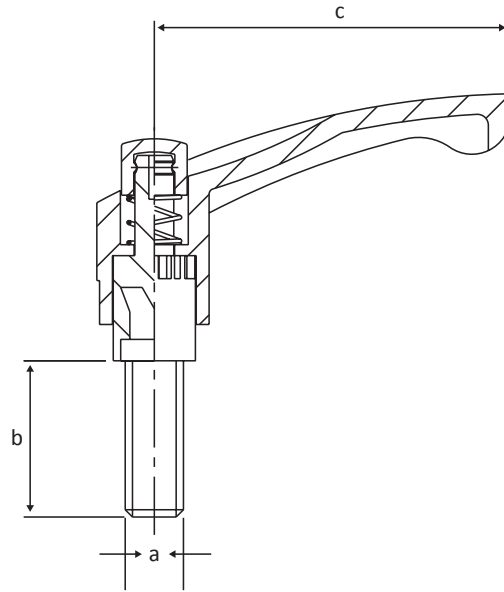
• Heavy duty industrial option • Stainless steel thread protects against rust • All sizes in millimeters



Thread Size (a)	Thread Length (b)	Head Diameter Maximum (c)	Head Diameter Minimum (d)	Head Height (e)	Colour	Part Number
5.0	18.0	45.0	20.0	33.0	Black	HW615
5.0	22.0	65.0	25.0	40.0	Black	HW616
5.0	20.0	80.0	30.0	43.0	Black	HW617
8.0	25.0	100.0	40.0	52.0	Black	HW618
8.0	25.0	125.0	40.0	64.0	Black	HW619
10.0	30.0	150.0	50.0	82.0	Black	HW620
10.0	30.0	175.0	50.0	84.0	Black	HW621
10.0	30.0	200.0	50.0	86.0	Black	HW622

TK Clamping Handle - Male

- Push button release
- Simple lift and rotate action
- All sizes in millimeters

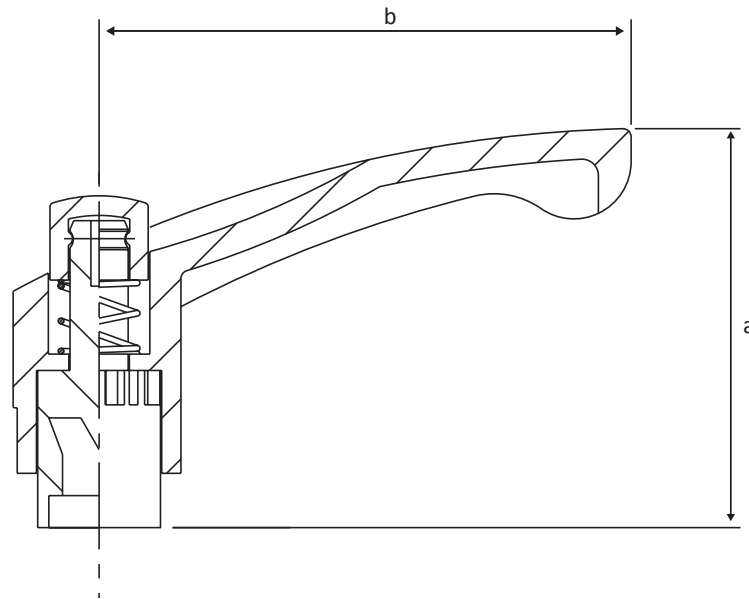


Thread Size (a)	Thread Length (b)	Handle Width (c)	Part Number		
			Orange with Black Button	Black with Orange Button	Black with Black Button
M5	9.9	38.0	TK106	TK81	TK56
M5	20.1	38.0	TK107	TK82	TK57
M6	15.0	38.0	TK108	TK83	TK58
M6	24.9	38.0	TK109	TK84	TK59
M6	39.9	38.0	TK110	TK85	TK60
M6	15.0	38.0	TK111	TK86	TK61
M6	20.1	48.0	TK112	TK87	TK62
M6	30.0	48.0	TK113	TK88	TK63
M6	39.9	48.0	TK114	TK89	TK64
M8	15.0	48.0	TK115	TK90	TK65
M8	20.1	48.0	TK116	TK91	TK66
M8	33.0	48.0	TK117	TK92	TK67
M8	47.0	48.0	TK118	TK93	TK68
M8	20.1	63.0	TK122	TK97	TK72
M8	33.0	63.0	TK123	TK98	TK73
M8	47.0	63.0	TK124	TK99	TK74
M10	20.1	48.0	TK119	TK94	TK69
M10	33.0	48.0	TK120	TK95	TK70
M10	43.9	48.0	TK121	TK96	TK71
M10	20.1	63.0	TK125	TK100	TK75
M10	33.0	63.0	TK126	TK101	TK76
M10	43.9	63.0	TK127	TK102	TK77
M12	30.0	63.0	TK128	TK103	TK78
M12	39.9	63.0	TK129	TK104	TK79
M12	59.9	63.0	TK130	TK105	TK80



TK Clamping Handle - Female

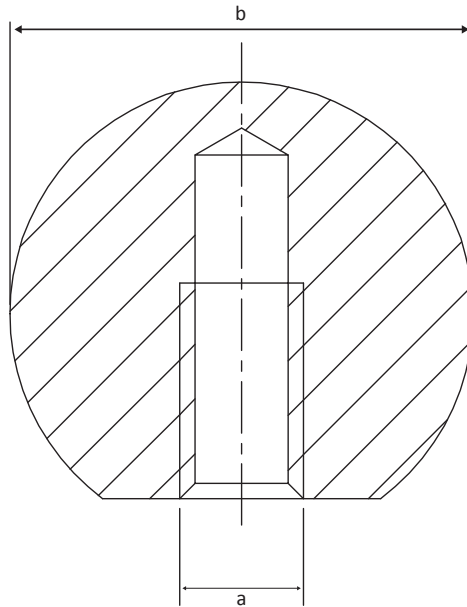
- Push button release ensures easy handle adjustment
- Simple lift and rotate action



Thread Size	Handle Height (a)	Handle Width (b)	Part Number		
			Orange with Black Button	Black with Orange Button	Black with Black Button
M4	38.0	43.0	TK47	TK38	TK29
M5	38.0	43.0	TK48	TK39	TK30
M6	38.0	43.0	TK49	TK40	TK31
M6	48.0	65.0	TK50	TK41	TK32
M8	48.0	65.0	TK51	TK42	TK33
M10	48.0	65.0	TK52	TK43	TK34
M8	63.0	85.0	TK53	TK44	TK35
M10	63.0	85.0	TK54	TK45	TK36
M12	63.0	85.0	TK55	TK46	TK37

RBK Round Ball Knob - Female

- Durable and attractive finish
- Can be used in a variety of applications



Thread Size (a)	Diameter (b)	Thread Material	Colour	Part Number
M3	10.0	Plastic	Black	RBK202
M4	12.0	Plastic	Black	RBK2
M4	16.0	Plastic	Red	RBK208
M4	16.0	Plastic	Black	RBK186
M6	16.0	Plastic	Black	RBK40
M4	16.0	Brass	Black	RBK194
M5	18.0	Plastic	Black	RBK5
M4	20.0	Plastic	Black	RBK10
M5	20.0	Plastic	Red	RBK209
M5	20.0	Plastic	Black	RBK187
M6	20.0	Plastic	Black	RBK42
M8	20.0	Plastic	Black	RBK72
M10	20.0	Plastic	Black	RBK73
M5	20.0	Steel	Black	RBK39
M6	20.0	Steel	Black	RBK62
M5	20.0	Brass	Black	RBK216
M6	22.0	Plastic	Black	RBK13
M4	25.0	Plastic	Black	RBK14
M5	25.0	Plastic	Black	RBK31
M6	25.0	Plastic	Red	RBK210
M6	25.0	Plastic	Black	RBK188
M8	25.0	Plastic	Black	RBK75
M10	25.0	Plastic	Black	RBK76
M5	25.0	Steel	Black	RBK63
M6	25.0	Steel	Black	RBK44
M8	25.0	Steel	Black	RBK45
M6	25.0	Brass	Black	RBK196
M8	28.0	Steel	Black	RBK32
M5	30.0	Plastic	Black	RBK33



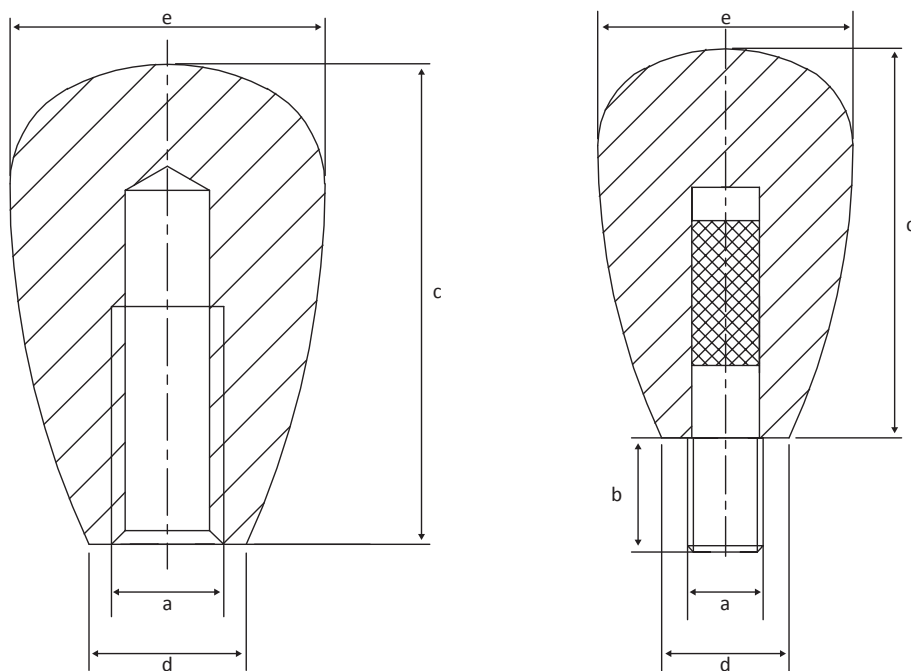
RBK Round Ball Knob - Female

- Durable and attractive finish
- Can be used in a variety of applications

Thread Size (a)	Diameter (b)	Thread Material	Colour	Part Number
M6	30.0	Plastic	Black	RBK46
M8	30.0	Plastic	Black	RBK189
M8	30.0	Plastic	Red	RBK211
M10	30.0	Plastic	Black	RBK48
M8	30.0	Steel	Black	RBK18
M8	30.0	Brass	Black	RBK197
M6	32.0	Plastic	Black	RBK77
M8	32.0	Plastic	Black	RBK78
M10	32.0	Plastic	Black	RBK79
M6	32.0	Steel	Black	RBK34
M8	32.0	Steel	Black	RBK49
M10	32.0	Steel	Black	RBK50
M6	35.0	Plastic	Black	RBK22
M8	35.0	Plastic	Black	RBK51
M10	35.0	Plastic	Black	RBK207
M10	35.0	Plastic	Red	RBK212
M10	35.0	Plastic	Black	RBK220
M10	35.0	Steel	Black	RBK198
M8	36.0	Steel	Black	RBK64
M10	36.0	Steel	Black	RBK302
M6	40.0	Plastic	Black	RBK24
M8	40.0	Plastic	Black	RBK80
M10	40.0	Plastic	Black	RBK191
M10	40.0	Plastic	Red	RBK213
M12	40.0	Plastic	Black	RBK82
M6	40.0	Steel	Black	RBK36
M8	40.0	Steel	Black	RBK53
M10	40.0	Steel	Black	RBK54
M12	40.0	Steel	Black	RBK55
M10	40.0	Brass	Black	RBK199
M8	45.0	Plastic	Black	RBK83
M10	45.0	Plastic	Black	RBK28
M12	45.0	Plastic	Black	RBK192
M12	45.0	Plastic	Red	RBK214
M10	45.0	Steel	Black	RBK37
M12	45.0	Steel	Black	RBK57
M12	45.0	Brass	Black	RBK200
M8	50.0	Plastic	Black	RBK29
M10	50.0	Plastic	Black	RBK84
M12	50.0	Plastic	Red	RBK215
M12	50.0	Plastic	Black	RBK193
M16	50.0	Plastic	Black	RBK86
M10	50.0	Steel	Black	RBK38
M12	50.0	Steel	Black	RBK58
M16	50.0	Steel	Black	RBK59
M12	50.0	Brass	Black	RBK201
M10	60.0	Plastic	Black	RBK30
M12	60.0	Plastic	Black	RBK60
M16	60.0	Plastic	Black	RBK68

RBK Tapered Round Knob

• Durable and attractive finish • Can be used in a variety of applications

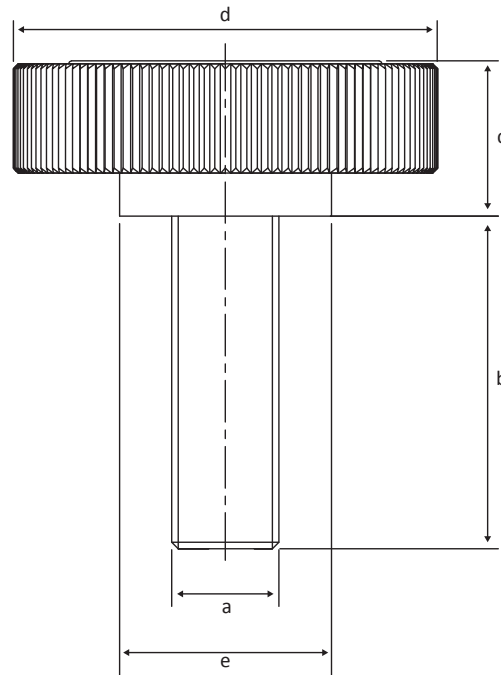


Thread Size (a)	Type	Thread Length (b)	Head Height (c)	Knob Base Diameter Maximum (d)	Knob Base Diameter Minimum (e)	Colour	Part Number
M5	Female	15.0	30.0	19.0	10.0	Black	RBK287
M6	Female	18.0	34.0	22.0	13.0	Black	RBK288
M8	Female	22.0	43.0	29.0	15.0	Black	RBK289
M10	Female	25.0	51.0	35.0	16.0	Black	RBK290
M10	Female	25.0	57.0	37.0	17.0	Black	RBK291
M6	Male	15.0	34.0	22.0	13.0	Black	RBK292
M8	Male	15.0	43.9	29.0	15.0	Black	RBK293
M10	Male	15.0	51.1	35.0	16.0	Black	RBK294
M10	Male	15.0	57.9	37.0	17.0	Black	RBK295



RBK Round Threaded Stud Knob

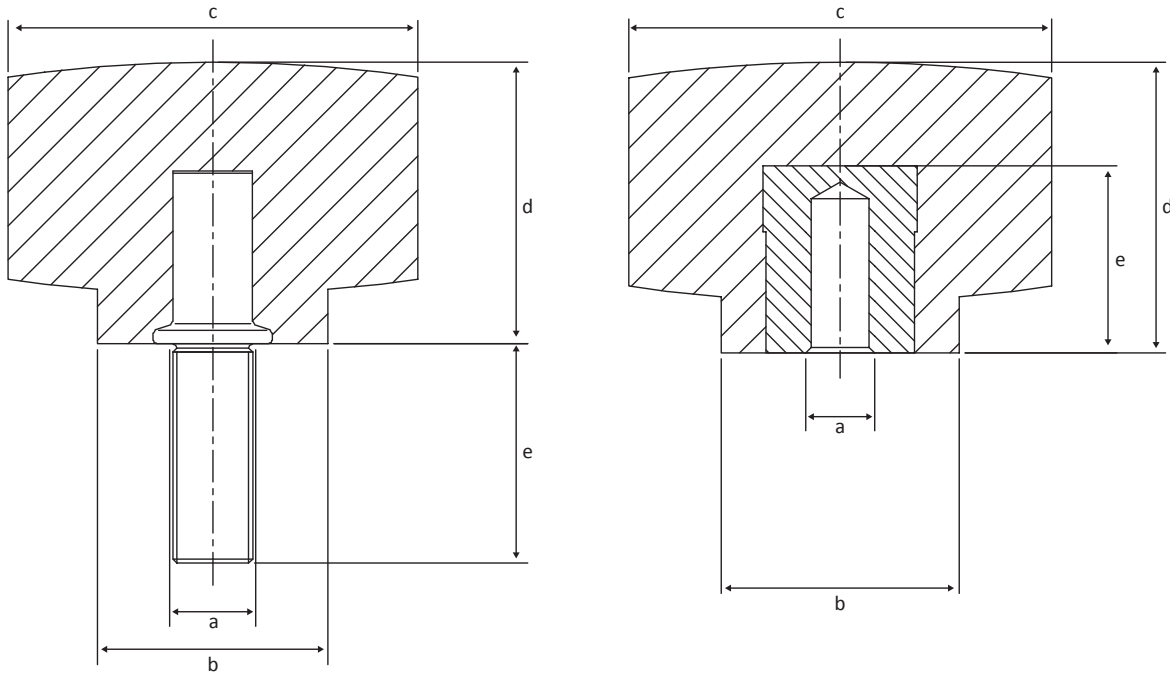
- Durable and attractive finish
- Treated steel thread for extra strength
- All sizes in millimeters



Stud (a)	Thread Length (b)	Head Height (c)	Knob Base Diameter Maximum (d)	Knob Base Diameter Minimum (e)	Part Number		
					Black	Red	Grey
M3	8.0	5.0	9.5	8.0	RBK296	RBK251	RBK269
M3	10.0	5.0	9.5	8.0	RBK297	RBK252	RBK270
M3	12.0	5.0	9.5	8.0	RBK298	RBK253	RBK271
M4	10.0	6.0	13.0	10.0	RBK299	RBK254	RBK272
M4	12.0	6.0	13.0	10.0	RBK300	RBK255	RBK273
M4	14.0	6.0	13.0	10.0	RBK301	RBK256	RBK274
M5	12.0	7.0	16.0	12.0	RBK239	RBK257	RBK275
M5	14.0	7.0	16.0	12.0	RBK240	RBK258	RBK276
M5	16.0	7.0	16.0	12.0	RBK241	RBK259	RBK277
M6	14.0	7.0	19.0	13.0	RBK242	RBK260	RBK278
M6	16.0	7.0	19.0	13.0	RBK243	RBK261	RBK279
M6	20.0	7.0	19.0	13.0	RBK244	RBK262	RBK280
M6	14.0	9.0	26.0	16.0	RBK245	RBK263	RBK281
M6	16.0	9.0	26.0	16.0	RBK246	RBK264	RBK282
M6	20.0	9.0	26.0	16.0	RBK247	RBK265	RBK283
M8	16.0	9.0	26.0	16.0	RBK248	RBK266	RBK284
M8	20.0	9.0	26.0	16.0	RBK249	RBK267	RBK285
M8	25.0	9.0	26.0	16.0	RBK250	RBK268	RBK286

RBK Spiral 4 Pointed Star Handwheel

- Durable and attractive finish
- Treated steel thread for extra strength
- All sizes in millimeters

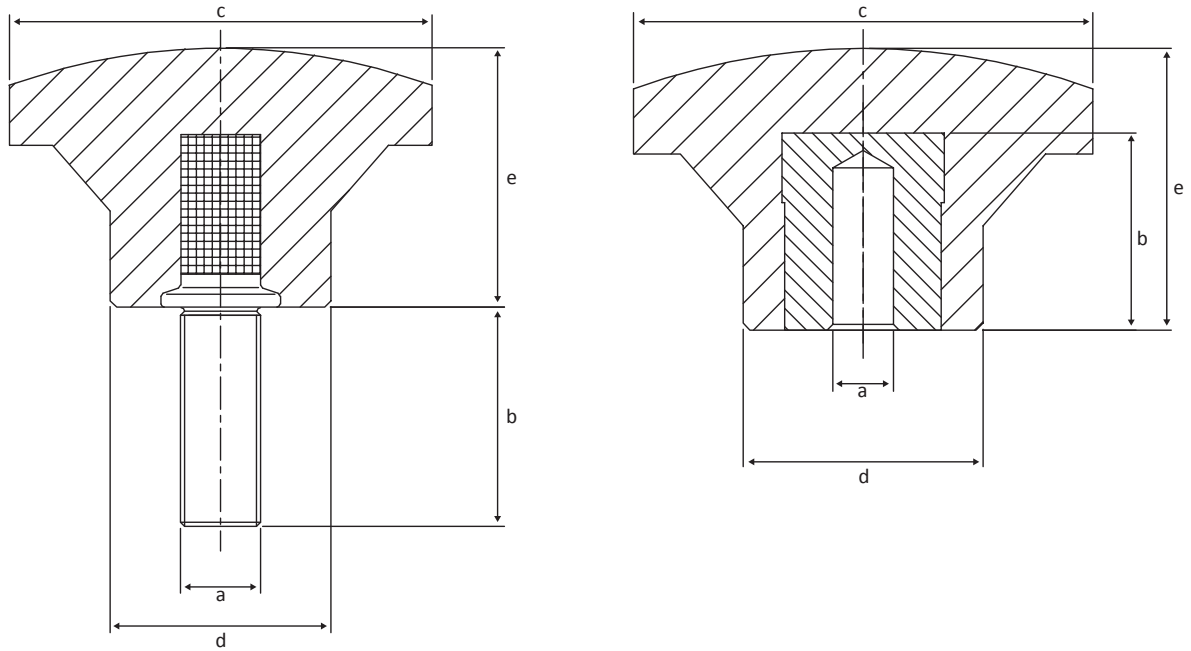


Stud (a)	Type	Knob Base Diameter Maximum (b)	Knob Base Diameter Minimum (c)	Height (d)	Stud Length (e)	Colour	Part Number
M5	Female	25.0	16.0	19.0	15.0	Black	HW651
M5	Female	32.0	18.0	22.0	15.0	Black	HW652
M5	Female	40.0	21.0	26.0	17.0	Black	HW653
M5	Female	50.0	23.0	31.0	21.0	Black	HW654
M6	Male	25.0	16.0	19.0	10.0	Black	HW590
M6	Male	32.0	18.0	22.0	10.0	Black	HW591
M6	Female	25.0	16.0	19.0	10.0	Black	HW655
M6	Female	32.0	18.0	22.0	10.0	Black	HW656
M8	Male	40.0	21.0	27.0	14.0	Black	HW592
M8	Female	40.0	21.0	27.0	14.0	Black	HW657
M8	Female	50.0	23.0	31.0	14.0	Black	HW658
M10	Male	50.0	23.0	31.0	14.0	Black	HW593



HW Scalped Shaped Handwheel

• Durable and attractive finish • Treated steel thread for extra strength • All sizes in millimeters



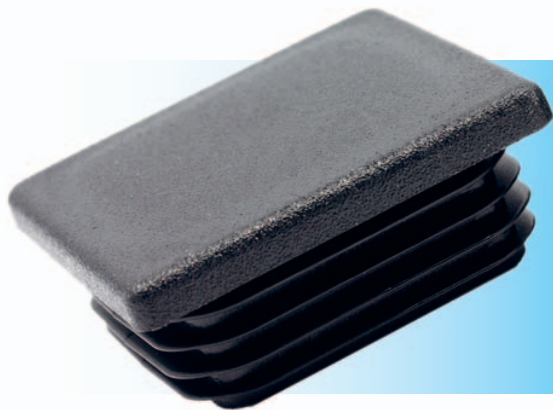
Stud (a)	Type	Thread Length (b)	Head Diameter (c)	Base Diameter (d)	Head Height (e)	Colour	Part Number
M5	Female	9.0	22.0	12.0	19.0	Black	HW249
M6	Female	10.0	22.0	12.0	19.0	Black	HW250
M6	Female	10.0	33.0	19.0	24.0	Black	HW251
M8	Female	14.0	33.0	19.0	24.0	Black	HW542
M8	Female	14.0	44.0	23.0	27.0	Black	HW543
M10	Female	17.0	44.0	23.0	27.0	Black	HW544
M8	Female	14.0	55.0	25.0	33.0	Black	HW545
M10	Female	17.0	55.0	25.0	33.0	Black	HW546
M12	Female	19.0	66.0	30.0	42.0	Black	HW547
M12	Female	19.0	77.0	30.0	46.0	Black	HW548
M5	Male	10.0	22.0	12.0	19.0	Black	HW559
M5	Male	20.0	22.0	12.0	19.0	Black	HW560
M6	Male	10.0	22.0	12.0	19.0	Black	HW561
M6	Male	20.0	22.0	12.0	19.0	Black	HW562
M6	Male	30.0	22.0	12.0	19.0	Black	HW563
M6	Male	15.0	33.0	19.0	24.0	Black	HW564
M6	Male	20.0	33.0	19.0	24.0	Black	HW565
M6	Male	25.0	33.0	19.0	24.0	Black	HW566
M6	Male	30.0	33.0	19.0	24.0	Black	HW567
M6	Male	40.0	33.0	19.0	24.0	Black	HW568

HW Scalloped Shaped Handwheel

- Durable and attractive finish
- Treated steel thread for extra strength
- All sizes in millimeters



Stud (a)	Type	Thread Length (b)	Head Diameter (c)	Base Diameter (d)	Head Height (e)	Colour	Part Number
M8	Male	20.0	33.0	19.0	24.0	Black	HW569
M8	Male	27.0	33.0	19.0	24.0	Black	HW570
M8	Male	33.0	33.0	19.0	24.0	Black	HW571
M8	Male	40.0	33.0	19.0	24.0	Black	HW572
M8	Male	15.0	44.0	23.0	27.0	Black	HW573
M8	Male	27.0	44.0	23.0	27.0	Black	HW574
M8	Male	33.0	44.0	23.0	27.0	Black	HW575
M8	Male	40.0	44.0	23.0	27.0	Black	HW576
M8	Male	47.0	44.0	23.0	27.0	Black	HW577
M10	Male	20.0	44.0	23.0	27.0	Black	HW578
M10	Male	33.0	44.0	23.0	27.0	Black	HW579
M10	Male	44.0	44.0	23.0	27.0	Black	HW580
M10	Male	64.0	44.0	23.0	27.0	Black	HW581
M10	Male	20.0	55.0	25.0	34.0	Black	HW582
M10	Male	33.0	55.0	25.0	34.0	Black	HW583
M10	Male	44.0	55.0	25.0	34.0	Black	HW584
M10	Male	64.0	55.0	25.0	34.0	Black	HW585
M12	Male	40.0	55.0	25.0	34.0	Black	HW586
M12	Male	40.0	66.0	30.0	42.0	Black	HW587
M12	Male	60.0	66.0	30.0	42.0	Black	HW588
M12	Male	40.0	77.0	30.0	30.0	Black	HW589

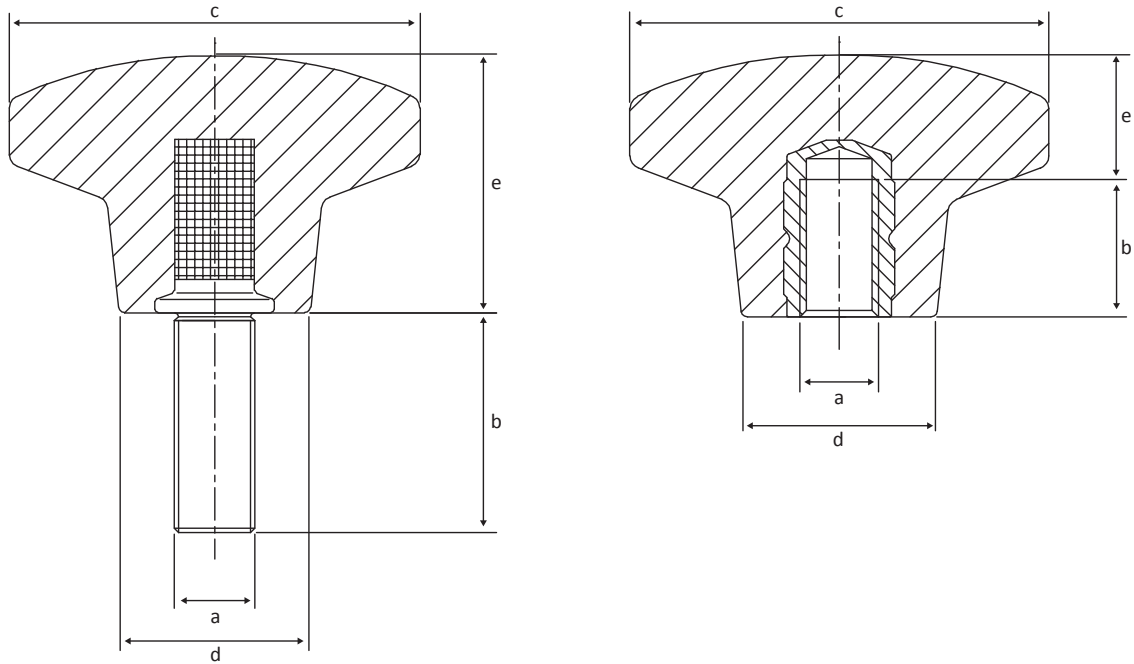


Create the perfect finish with the largest range of inserts in the UK!



HW Four Point Star Handwheel

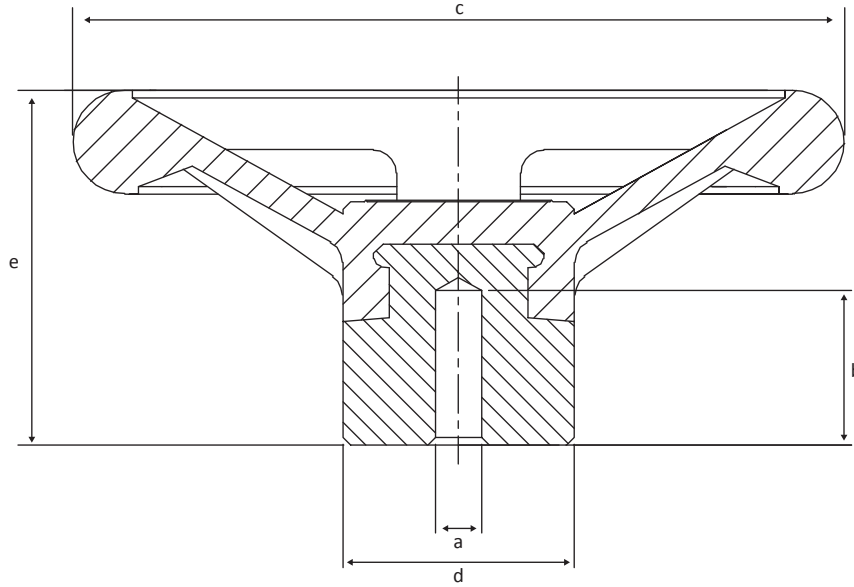
• Durable and attractive finish • Treated steel thread for extra strength • All sizes in millimeters



Stud (a)	Type	Thread Length (b)	Head Diameter (c)	Base Diameter (d)	Head Height (e)	Colour	Part Number
M4	Female	8.0	20.0	10.0	14.0	Black	HW272
M5	Female	9.0	25.0	12.0	15.0	Black	HW273
M6	Female	10.0	32.0	14.0	20.0	Black	HW274
M8	Female	14.0	40.0	18.0	26.0	Black	HW659
M10	Female	17.0	50.0	22.0	32.0	Black	HW660
M12	Female	19.0	63.0	26.0	38.0	Black	HW527
M16	Female	27.0	80.0	32.0	50.0	Black	HW661
M4	Male	15.0	20.0	10.0	14.0	Black	HW279
M5	Male	10.0	20.0	10.0	14.0	Black	HW597
M6	Male	10.0	32.0	14.0	20.0	Black	HW598
M6	Male	15.0	32.0	14.0	20.0	Black	HW599
M6	Male	25.0	32.0	14.0	20.0	Black	HW600
M6	Male	30.0	32.0	14.0	20.0	Black	HW601
M6	Male	15.0	40.0	18.0	26.0	Black	HW602
M6	Male	25.0	40.0	18.0	26.0	Black	HW603
M6	Male	30.0	40.0	18.0	26.0	Black	HW604
M6	Male	40.0	40.0	18.0	26.0	Black	HW605
M8	Male	33.0	40.0	18.0	26.0	Black	HW606
M8	Male	40.0	40.0	18.0	26.0	Black	HW607
M8	Male	20.0	50.0	22.0	32.0	Black	HW608
M8	Male	47.0	50.0	22.0	32.0	Black	HW609
M10	Male	20.0	50.0	22.0	32.0	Black	HW610
M10	Male	33.0	50.0	22.0	32.0	Black	HW611
M10	Male	20.0	63.0	26.0	38.0	Black	HW612
M10	Male	44.0	63.0	26.0	38.0	Black	HW613
M10	Male	64.0	63.0	26.0	38.0	Black	HW614

HW Four Spoke Handwheel

- Durable and attractive finish
- Treated steel thread for extra strength
- All sizes in millimeters

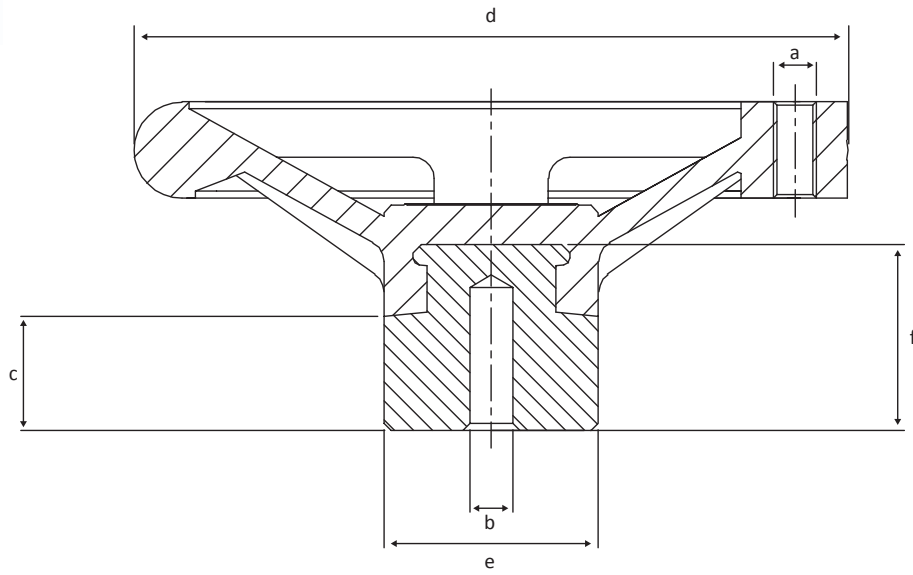


Plain Bore Size (a)	Thread Length (b)	Head Diameter (c)	Base Diameter (d)	Head Height (e)	Colour	Part Number
5.25	20.0	100.0	46.0	30.0	Black	HW322
8.0	25.0	125.0	40.0	37.0	Black	HW323
10.0	30.0	150.0	50.0	48.0	Black	HW324
10.0	30.0	175.0	50.0	49.0	Black	HW325
10.0	30.0	200.0	50.0	70.0	Black	HW326
10.0	30.0	300.0	60.0	98.0	Black	HW327



HW Four Spoke Handwheel with Handle Hole

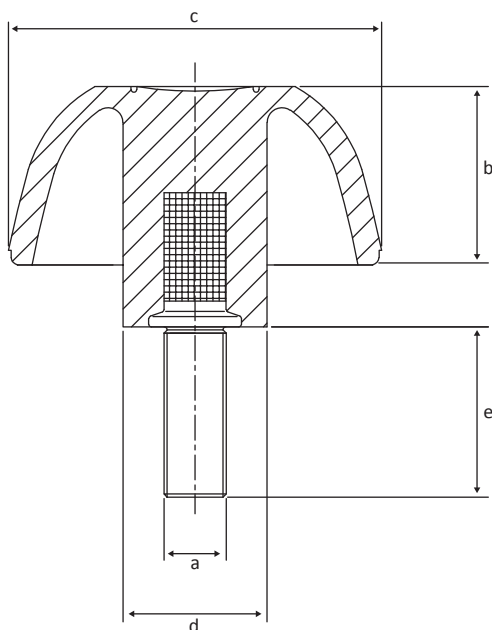
- Durable and attractive finish
- Treated steel thread for extra strength
- All sizes in millimeters



Stud (a)	Plain Bore Size (b)	Thread Length (c)	Head Diameter (d)	Base Diameter (e)	Head Height (f)	Colour	Part Number
M6	5.25	20.0	100.0	46.0	30.0	Black	HW328
M6	8.0	25.0	125.0	40.0	37.0	Black	HW329
M8	10.0	30.0	150.0	50.0	48.0	Black	HW330
M10	10.0	30.0	175.0	50.0	49.0	Black	HW331
M12	10.0	30.0	200.0	50.0	70.0	Black	HW332

HW Three Point Handwheel - Male

● Ideal for use in tight spaces ● Treated steel thread for extra strength ● All sizes in millimeters



Stud (a)	Head Height (b)	Head Diameter (c)	Base Diameter (d)	Thread Length (e)	Colour	Part Number
M4	15.0	25.0	12.5	15.0	Orange	HW412
M4	17.0	25.0	12.5	15.0	Black	HW381
M5	17.0	25.0	12.5	20.0	Black	HW382
M5	20.0	25.0	12.5	20.0	Orange	HW413
M5	20.0	32.0	14.0	20.0	Black	HW539
M5	20.0	32.0	14.0	20.0	Orange	HW630
M6	17.0	25.0	12.5	20.0	Black	HW383
M6	17.0	25.0	12.5	20.0	Orange	HW414
M6	20.0	32.0	14.0	10.0	Black	HW384
M6	20.0	32.0	14.0	10.0	Orange	HW415
M6	20.0	32.0	14.0	20.0	Black	HW540
M6	20.0	32.0	14.0	20.0	Orange	HW417
M6	20.0	32.0	14.0	30.0	Black	HW387
M6	20.0	32.0	14.0	30.0	Orange	HW418
M6	25.4	40.0	17.0	15.0	Black	HW389
M6	25.4	40.0	17.0	15.0	Orange	HW420
M6	25.4	40.0	17.0	20.0	Black	HW390
M6	25.4	40.0	17.0	20.0	Orange	HW421
M6	25.4	40.0	17.0	30.0	Black	HW391
M6	25.4	40.0	17.0	30.0	Orange	HW422
M6	25.4	40.0	17.0	40.0	Black	HW392
M6	25.4	40.0	17.0	40.0	Orange	HW423
M8	15.0	50.0	19.0	15.0	Black	HW401
M8	20.0	32.0	14.0	27.0	Black	HW388
M8	20.0	32.0	14.0	27.0	Orange	HW419
M8	20.0	32.0	14.0	40.0	Black	HW541
M8	20.0	32.0	14.0	40.0	Orange	HW631
M8	25.4	40.0	17.0	15.0	Black	HW393



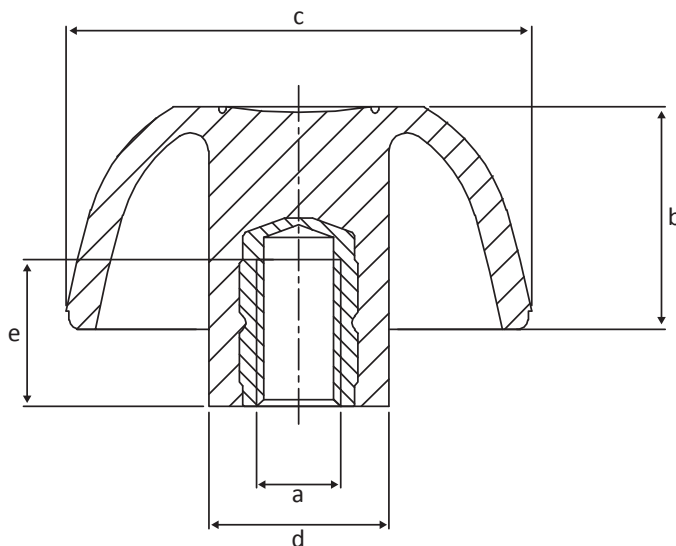
HW Three Point Handwheel - Male

• Ideal for use in tight spaces • Treated steel thread for extra strength • All sizes in millimeters

Stud (a)	Head Height (b)	Head Diameter (c)	Base Diameter (d)	Thread Length (e)	Colour	Part Number
M8	25.4	40.0	17.0	15.0	Orange	HW424
M8	25.4	40.0	17.0	20.0	Black	HW394
M8	25.4	40.0	17.0	20.0	Orange	HW425
M8	25.4	40.0	17.0	33.0	Orange	HW426
M8	25.4	40.0	17.0	47.0	Orange	HW428
M8	27.0	50.0	19.0	27.0	Black	HW402
M8	32.0	50.0	19.0	15.0	Orange	HW432
M8	32.0	50.0	19.0	27.0	Orange	HW433
M8	32.0	50.0	19.0	40.0	Orange	HW434
M8	33.0	40.0	17.0	33.0	Black	HW395
M8	40.0	50.0	19.0	40.0	Black	HW403
M8	47.0	40.0	17.0	47.0	Black	HW397
M10	20.0	40.0	17.0	20.0	Black	HW398
M10	25.4	40.0	17.0	20.0	Orange	HW429
M10	25.4	40.0	17.0	33.0	Orange	HW430
M10	25.4	40.0	17.0	44.0	Orange	HW431
M10	32.0	50.0	19.0	33.0	Orange	HW437
M10	32.0	50.0	19.0	50.0	Orange	HW438
M10	33.0	40.0	17.0	33.0	Black	HW399
M10	33.0	50.0	19.0	33.0	Black	HW406
M10	33.0	63.0	23.0	33.0	Black	HW408
M10	40.0	63.0	23.0	33.0	Orange	HW439
M10	44.0	40.0	17.0	44.0	Black	HW400
M10	50.0	50.0	19.0	50.0	Black	HW407
M12	32.0	50.0	19.0	40.0	Orange	HW632
M12	32	50	19	40	Black	HW628
M12	32	50	19	60	Orange	HW633
M12	32	50	19	60	Black	HW629
M12	40	63	23	40	Black	HW410
M12	40	63	23	40	Orange	HW441
M16	40	63	23	55	Orange	HW442
M16	55	63	23	55	Black	HW411

HW Three Point Handwheel - Female

• Ideal for use in tight spaces • Treated steel thread for extra strength • All sizes in millimeters



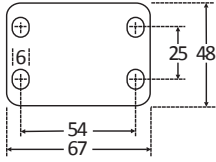
Stud (a)	Head Height (b)	Head Diameter (c)	Base Diameter (d)	Thread Length (e)	Colour	Part Number
M4	17.0	25.0	12.5	8.0	Black	HW333
M4	17.0	25.0	12.5	8.0	Orange	HW346
M5	17.0	25.0	12.5	9.0	Black	HW334
M5	17.0	25.0	12.5	9.0	Orange	HW347
M5	20.0	32.0	14.0	9.0	Black	HW336
M5	20.0	32.0	14.0	9.0	Orange	HW349
M6	17.0	25.0	12.5	10.0	Black	HW335
M6	17.0	25.0	12.5	10.0	Orange	HW348
M6	20.0	32.0	14.0	10.0	Black	HW337
M6	20.0	32.0	14.0	10.0	Orange	HW350
M6	25.4	40.0	17.0	10.0	Black	HW338
M6	25.4	40.0	17.0	10.0	Orange	HW351
M8	25.4	40.0	17.0	14.0	Black	HW339
M8	25.4	40.0	17.0	14.0	Orange	HW352
M8	32.0	50.0	19.0	14.0	Black	HW341
M8	32.0	50.0	19.0	14.0	Orange	HW354
M10	25.4	40.0	17.0	17.0	Black	HW340
M10	25.4	40.0	17.0	17.0	Orange	HW353
M10	32.0	50.0	19.0	17.0	Black	HW342
M10	32.0	50.0	19.0	17.0	Orange	HW355
M10	40.0	63.0	23.0	17.0	Black	HW343
M10	40.0	63.0	23.0	17.0	Orange	HW356
M12	32.0	50.0	19.0	19.0	Black	HW649
M12	32.0	50.0	19.0	19.0	Orange	HW650
M12	40.0	63.0	23.0	19.0	Black	HW344
M12	40.0	63.0	23.0	19.0	Orange	HW357
M16	40.0	63.0	23.0	27.0	Black	HW345
M16	40.0	63.0	23.0	27.0	Orange	HW358



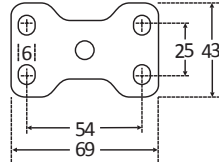
CS Nylon Castor - All Types

• Quick and easy installation • Ideal for use in cost sensitive projects • All sizes in millimeters

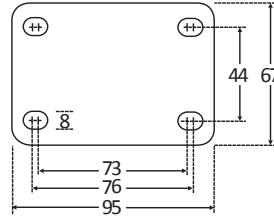
Type A



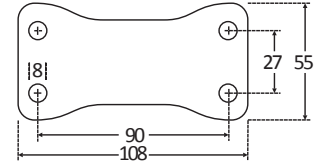
Type B



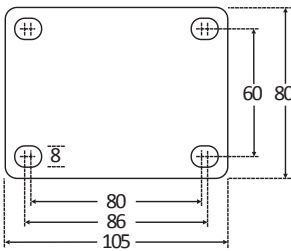
Type C



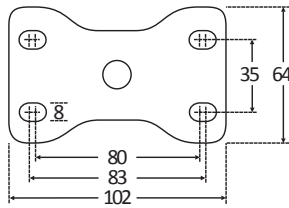
Type D



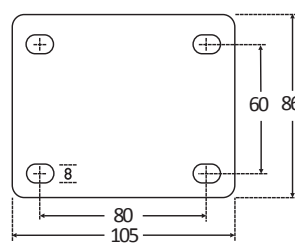
Type E



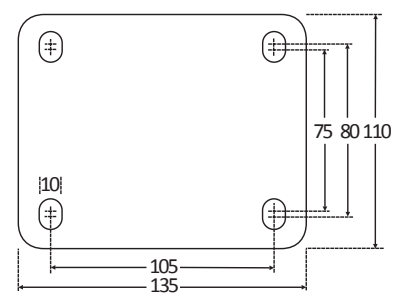
Type F



Type G



Type H



Wheel Diameter	Base Plate Type	Style	Fitted Height	Bearing Type	Max. Load each (Kg)	Max. Load per 4 (Kg)	Part Number
50.0	B	Fixed	64.0	Plain	40	120	CS213
50.0	A	Swivel	64.0	Plain	40	120	CS211
63.0	D	Fixed	83.0	Plain	85	255	CS215
63.0	C	Swivel	83.0	Plain	85	255	CS214
75.0	F	Fixed	95.0	Plain	125	375	CS217
75.0	E	Swivel	95.0	Plain	125	375	CS216
75.0	E	Swivel & Brake	95.0	Plain	125	375	CS218
100.0	G	Fixed	128.0	Plain	250	750	CS220
100.0	G	Swivel	128.0	Plain	250	750	CS219
100.0	G	Swivel & Brake	128.0	Plain	250	750	CS221
125.0	G	Fixed	155.0	Plain	250	750	CS223
125.0	G	Swivel	155.0	Plain	250	750	CS222
125.0	G	Swivel & Brake	155.0	Plain	250	750	CS224
150.0	H	Fixed	188.0	Plain	500	1500	CS226
150.0	H	Swivel	188.0	Plain	500	1500	CS225
150.0	H	Swivel & Brake	188.0	Plain	500	1500	CS227

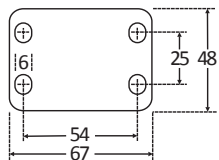
see pages 60-61 for available styles

RCS Blue Rubber Castor - All Types

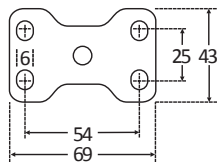
- Easy to fit fixing plate
- Rubber castors are extremely durable
- All sizes in millimeters



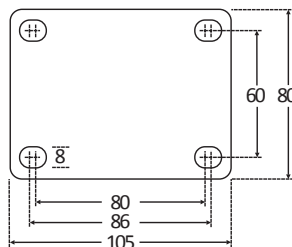
Type A



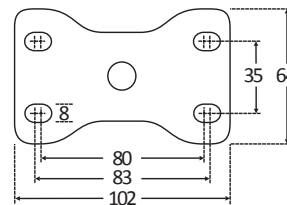
Type B



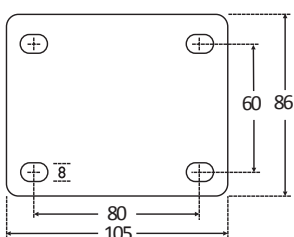
Type C



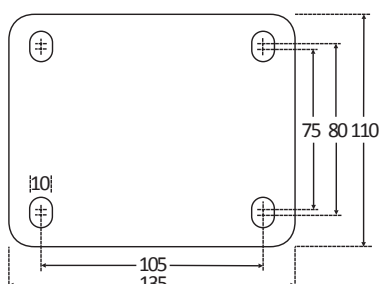
Type D



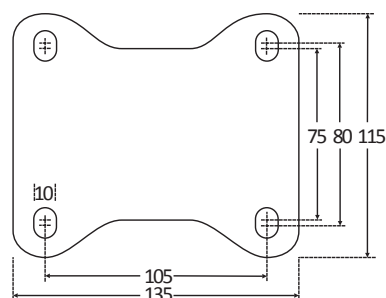
Type E



Type F

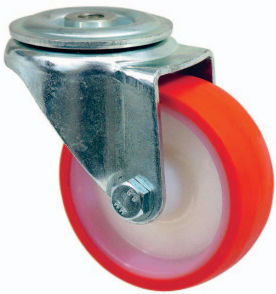


Type G



Wheel Diameter	Base Plate Type	Style	Fitted Height	Bearing Type	Max. Load each (Kg)	Max. Load per 4 (Kg)	Part Number
50.0	B	Fixed	64.0	Plain	40	120	RCS04
50.0	A	Swivel	64.0	Plain	40	120	RCS03
75.0	D	Fixed	95.0	Plain	90	270	RCS06
75.0	C	Swivel	95.0	Plain	90	270	RCS05
75.0	C	Swivel & Brake	95.0	Plain	90	270	RCS07
100.0	E	Fixed	128.0	Plain	250	750	RCS09
100.0	E	Swivel	128.0	Plain	250	750	RCS08
100.0	C	Swivel & Brake	128.0	Plain	250	750	RCS12
125.0	E	Fixed	155.0	Plain	250	750	RCS14
125.0	E	Swivel	155.0	Plain	250	750	RCS13
125.0	E	Swivel & Brake	155.0	Plain	250	750	RCS15
150.0	G	Fixed	188.0	Plain	300	900	RCS17
150.0	F	Swivel	188.0	Plain	300	900	RCS16
150.0	F	Swivel & Brake	188.0	Plain	300	900	RCS18
200.0	F	Fixed	238.0	Plain	400	900	RCS20
200.0	F	Swivel	238.0	Plain	400	1200	RCS19
200.0	F	Swivel & Brake	238.0	Plain	400	1200	RCS21

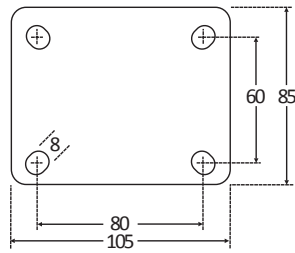
see pages 60-61 for available styles



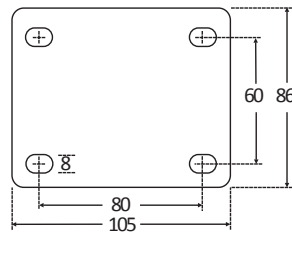
RCS Red PE Castor - All Types

• Easy to fit fixing plate • Polyethylene castors are extremely durable • All sizes in millimeters

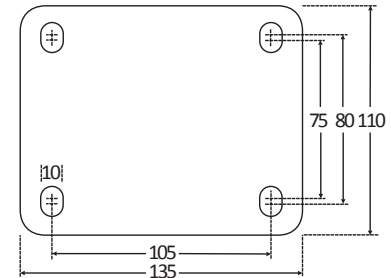
Type A



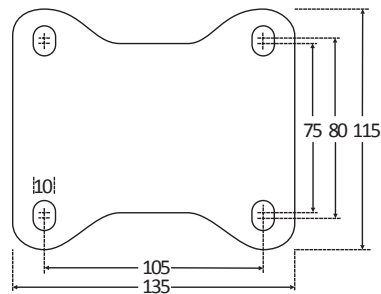
Type B



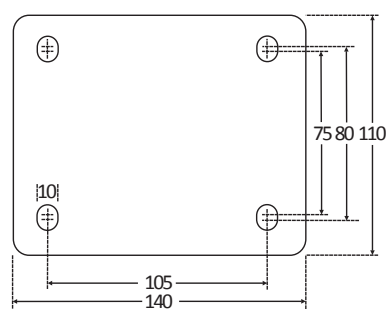
Type C



Type D



Type E



Wheel Diameter	Base Plate Type	Style	Fitted Height	Bearing Type	Max. Load each (Kg)	Max. Load per 4 (Kg)	Part Number
80.0	A	Fixed	105.0	Needle Roller	100	300	RCS87
80.0	A	Swivel	105.0	Needle Roller	100	300	RCS86
100.0	A	Fixed	128.0	Needle Roller	150	450	RCS89
100.0	B	Fixed	128.0	Plain	250	750	RCS23
100.0	A	Swivel	128.0	Needle Roller	150	450	RCS88
100.0	B	Swivel	128.0	Plain	250	750	RCS22
100.0	B	Swivel & Brake	128.0	Plain	250	750	RCS24
125.0	A	Fixed	155.0	Needle Roller	200	600	RCS91
125.0	A	Swivel	155.0	Needle Roller	200	600	RCS90
150.0	C	Fixed	188.0	Plain	500	1500	RCS34
150.0	C	Fixed	188.0	Needle Roller	500	1500	RCS28
150.0	C	Swivel	188.0	Plain	500	1500	RCS27
150.0	C	Swivel	188.0	Roller	500	1500	RCS25
150.0	C	Swivel & Brake	188.0	Plain	500	1500	RCS29
150.0	D	Swivel & Brake	188.0	Roller	500	1500	RCS26
160.0	E	Fixed	195.0	Needle Roller	350	1050	RCS93
160.0	E	Swivel	195.0	Needle Roller	350	1050	RCS92
200.0	D	Fixed	238.0	Plain	500	1500	RCS31
200.0	E	Fixed	235.0	Needle Roller	350	1050	RCS95
200.0	D	Fixed	238.0	Needle Roller	500	1500	RCS36
200.0	E	Swivel	235.0	Needle Roller	350	1050	RCS94
200.0	C	Swivel	238.0	Plain	500	1500	RCS30
200.0	C	Swivel	238.0	Roller	500	1500	RCS35
200.0	C	Swivel & Brake	238.0	Plain	500	1500	RCS32
200.0	C	Swivel & Brake	238.0	Roller	500	1500	RCS37

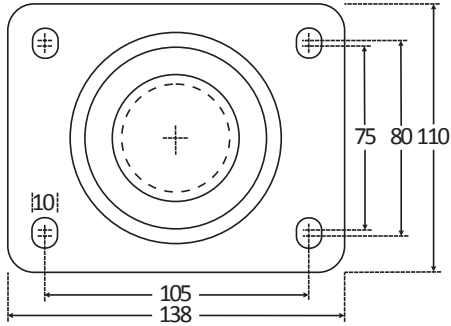
see pages 60-61 for available styles

HCS Heavy Duty Castor - All Types

- Highly durable
- Quick and easy installation
- All sizes in millimeters



Type A



Wheel Diameter	Base Plate Type	Style	Fitted Height	Bearing Type	Max. Load each (Kg)	Max. Load per 4 (Kg)	Part Number
150.0	A	Swivel	194.0	Ball Journal	750	2250	HCS17
150.0	A	Swivel & Brake	194.0	Ball Journal	750	2250	HCS18
150.0	A	Swivel	195.0	Roller	750	2250	HCS19
150.0	A	Swivel & Brake	195.0	Roller	750	2250	HCS20
150.0	A	Fixed	200.0	Roller	750	2250	HCS01
150.0	A	Swivel	200.0	Roller	750	2250	HCS02
150.0	A	Swivel & Brake	200.0	Roller	750	2250	HCS03
200.0	A	Fixed	250.0	Roller	1000	3000	HCS04
200.0	A	Swivel	250.0	Roller	1000	3000	HCS05
200.0	A	Swivel & Brake	250.0	Roller	1000	3000	HCS06
250.0	A	Fixed	300.0	Ball	1400	4200	HCS07
250.0	A	Swivel	300.0	Ball	1400	4200	HCS08
250.0	A	Swivel & Brake	300.0	Ball	1400	4200	HCS09

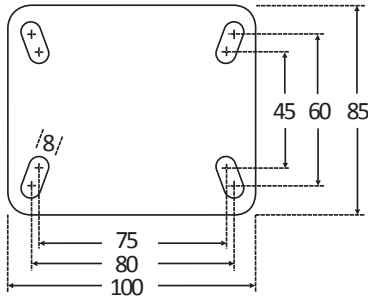
see pages 60-61 for available styles



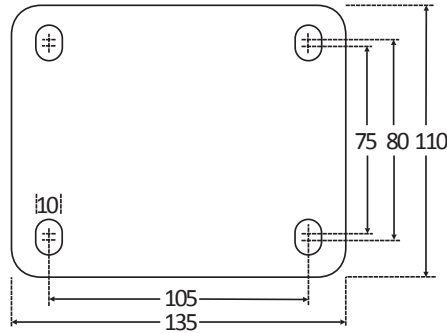
CSH High Temperature Castor - All Types

- Designed for high temperature use
- Durable phenolic wheels
- All sizes in millimeters

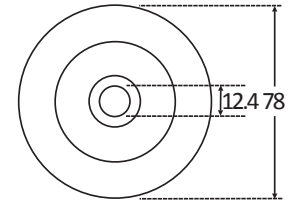
Type A



Type B



Type C



Wheel Diameter	Base Plate Type	Style	Fitted Height	Bearing Type	Max. Load each (Kg)	Max. Load per 4 (Kg)	Maximum Temperature °C	Part Number
80.0	A	Fixed	110.0	Plain	150	450	300	CSHT01
80.0	C	Swivel	110.0	Plain	140	420	120	CSHT02
80.0	A	Swivel	113.0	Plain	150	450	300	CSHT06
80.0	A	Fixed	113.0	Plain	150	450	300	CSHT07
80.0	C	Swivel	110.0	Plain	140	420	300	CSHT21
100.0	B	Swivel	133.0	Plain	160	480	300	CSHT08
100.0	A	Fixed	133.0	Plain	180	540	300	CSHT12
100.0	A	Swivel	133.0	Plain	180	540	300	CSHT13
100.0	C	Swivel	133.0	Plain	180	540	300	CSHT15
125.0	A	Swivel	158.0	Plain	220	660	300	CSHT09
125.0	A	Fixed	158.0	Plain	200	600	300	CSHT17
125.0	C	Swivel	158.0	Plain	200	600	300	CSHT20

see below for available styles

Available styles:



Bolt Hole Castor



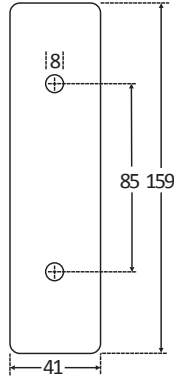
Fixed Castor

OCS Gate Castor

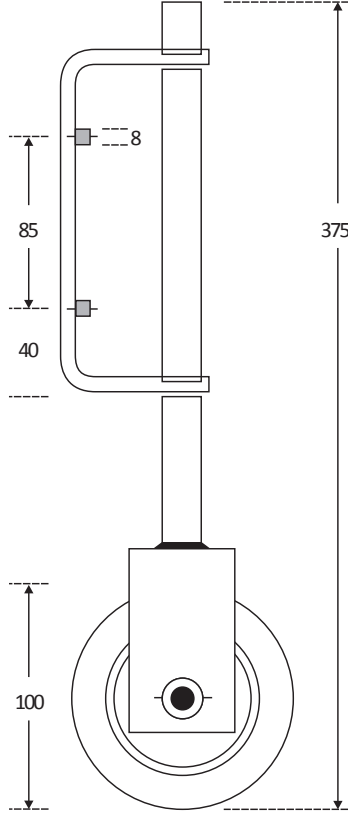
- Can travel on uneven ground
- Swivel ensures ease of movement
- All sizes in millimeters



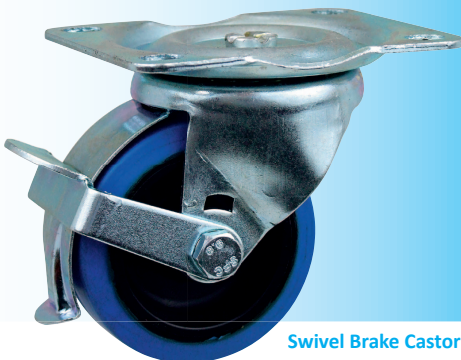
Type A



Elevation



Wheel Diameter	Base Plate Type	Style	Fitted Height	Bearing Type	Max. Load each (Kg)	Max. Load per 4 (Kg)	Part Number
100.0	A	Fixed	375.0	Ball Journal	75	225	OCS01
100.0	A	Swivel	375.0	Ball Journal	75	225	OCS02



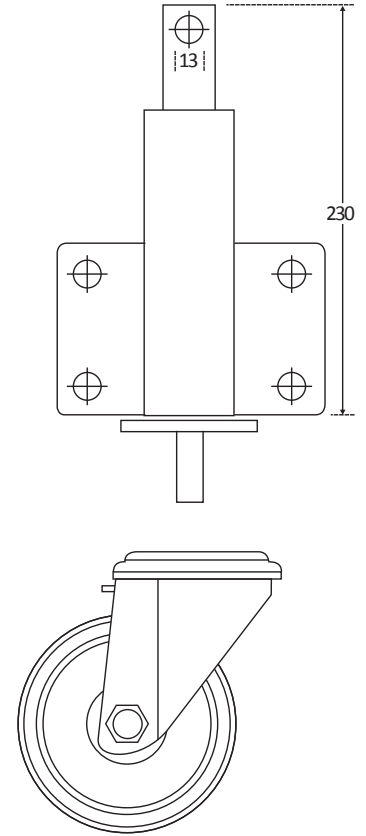
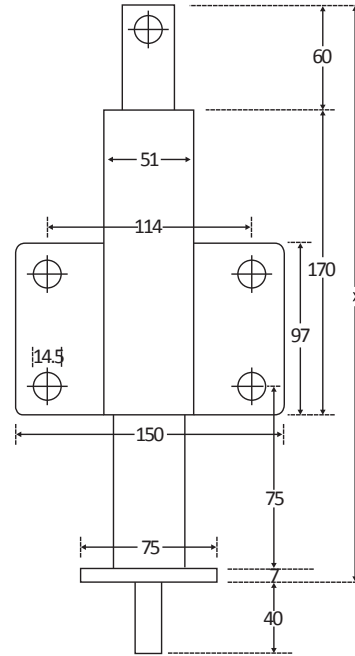
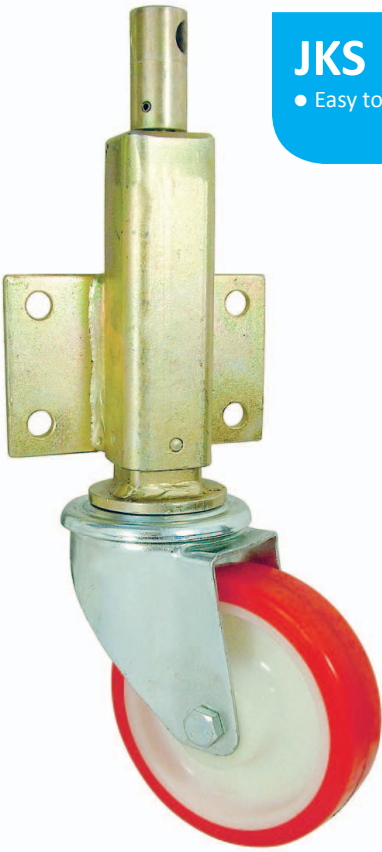
Swivel Brake Castor



Swivel Castor

JKS Height Adjustable Castor

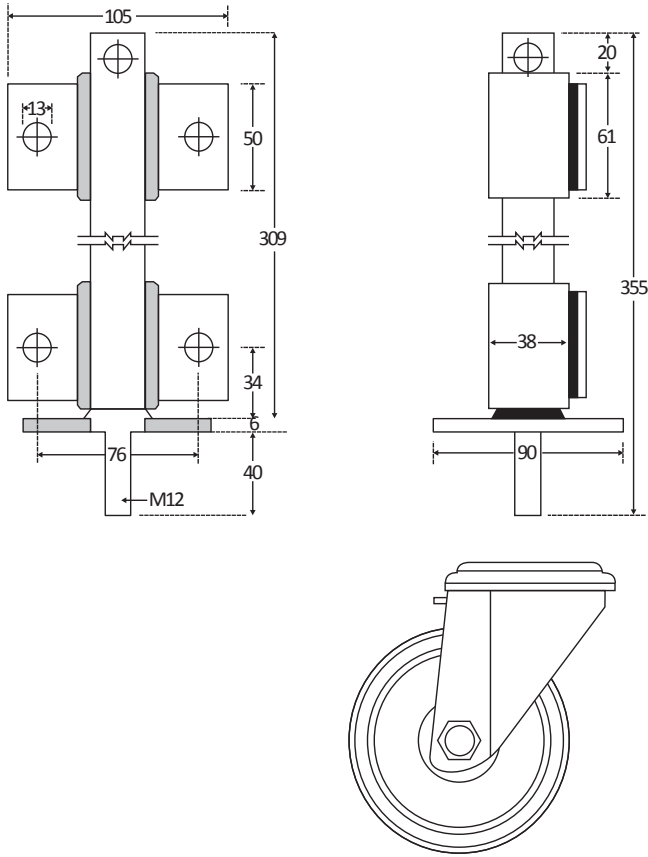
- Easy to fit fixing plate
- All sizes in millimeters



Wheel Diameter	Base Plate Size	Fitted Height	Bearing Type	Max. Load each (Kg)	Max. Load per 4 (Kg)	Part Number
100.0	152.0 x 100.0	370.0-445.0	Plain Bore	200	400	JKS01
100.0	152.0 x 100.0	370.0-445.0	Needle Roller	200	400	JKS02
125.0	152.0 x 100.0	399.0-474.0	Plain Bore	200	400	JKS03
125.0	152.0 x 100.0	399.0-474.0	Needle Roller	200	400	JKS04
150.0	152.0 x 100.0	448.0-523.0	Plain Bore	250	500	JKS05
150.0	152.0 x 100.0	448.0-523.0	Needle Roller	250	500	JKS06
200.0	152.0 x 100.0	493.0-568.0	Plain Bore	250	500	JKS07
200.0	152.0 x 100.0	493.0-568.0	Needle Roller	250	500	JKS08

JKS Threaded Height Adjustable Castor

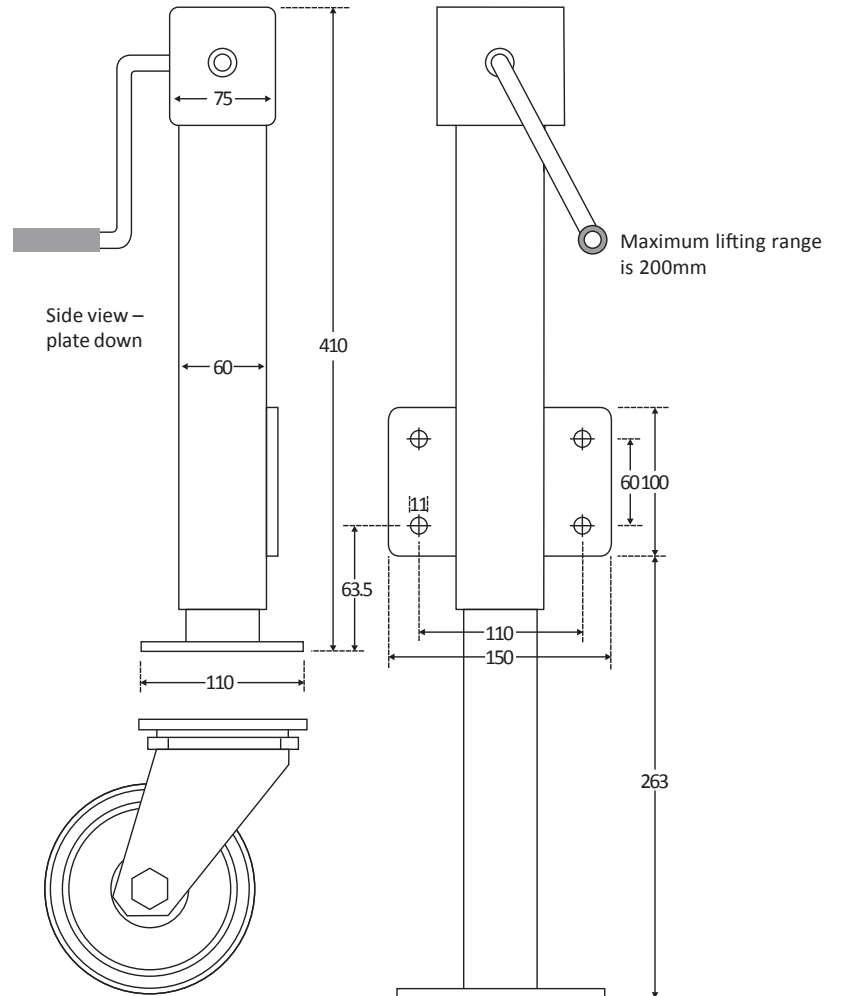
• Easy to fit fixing plate • All sizes in millimeters



Wheel Diameter	Base Plate Size	Fitted Height	Bearing Type	Max. Load each (Kg)	Max. Load per 4 (Kg)	Part Number
80.0	107.0 x 50.0	444.0	Plain Bore	140	420	JKS09
80.0	107.0 x 50.0	444.0	Needle Roller	140	420	JKS10
100.0	107.0 x 50.0	424.0	Plain Bore	120	420	JKS12
100.0	107.0 x 50.0	424.0	Needle Roller	120	420	JKS11
125.0	107.0 x 50.0	466.0	Plain Bore	160	480	JKS13
125.0	107.0 x 50.0	466.0	Needle Roller	160	480	JKS14

JKS Height Adjustable Castor with Handle

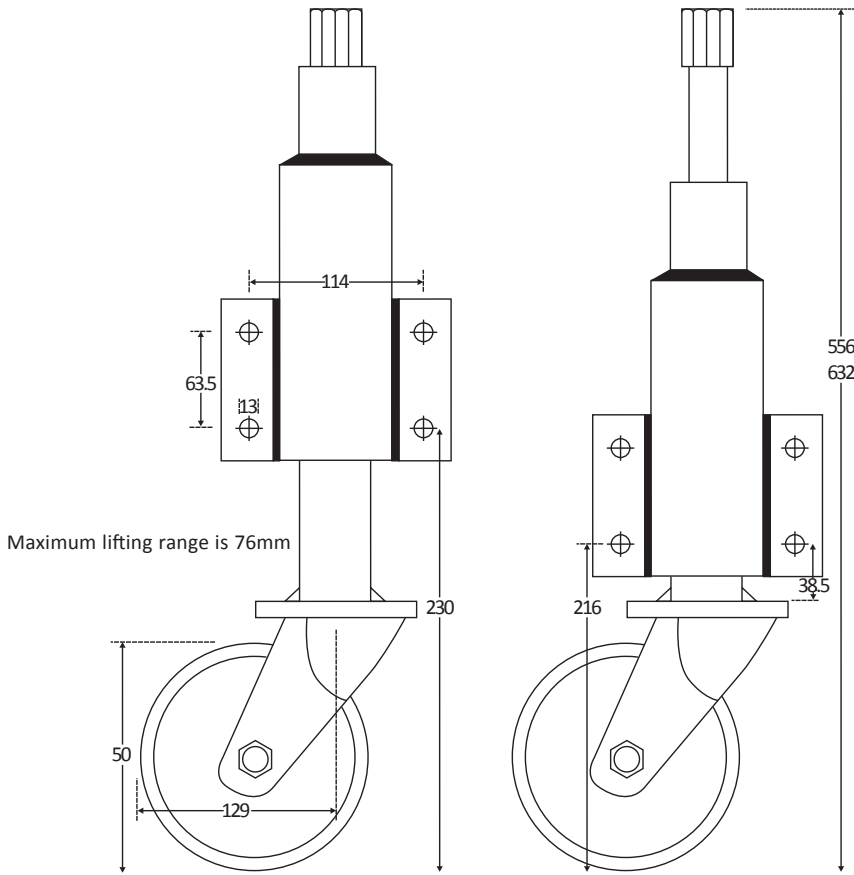
- Handle for easy height adjustment
- Easy to fit fixing plate
- All sizes in millimeters



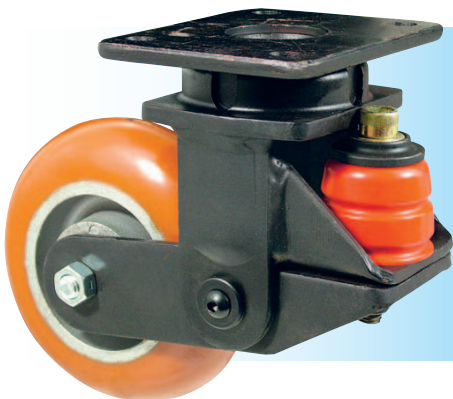
Wheel Diameter	Base Plate Size	Fitted Height	Bearing Type	Max. Load each (Kg)	Max. Load per 4 (Kg)	Part Number
125.0	150.0 x 100.0	587.0-784.0	Plain Bore	350	1050	JKS15
125.0	150.0 x 100.0	587.0-784.0	Needle Roller	350	1050	JKS16
125.0	150.0 x 100.0	587.0-784.0	Ball Journal	350	1050	JKS17
150.0	150.0 x 100.0	612.0-812.0	Needle Roller	400	1200	JKS18
150.0	150.0 x 100.0	612.0-812.0	Plain Bore	400	1200	JKS19
150.0	150.0 x 100.0	612.0-812.0	Ball Journal	400	1200	JKS20
200.0	150.0 x 100.0	664.0-864.0	Needle Roller	600	1800	JKS21
200.0	150.0 x 100.0	664.0-864.0	Plain Bore	600	1800	JKS22
200.0	150.0 x 100.0	664.0-864.0	Ball Journal	600	1800	JKS23

JKS Heavy Duty Height Adjustable Castor

- Highly durable with fabricated fork for extra strength
- Easy to fit fixing plate
- All sizes in millimeters



Wheel Diameter	Base Plate Size	Fitted Height	Bearing Type	Max. Load each (Kg)	Max. Load per 4 (Kg)	Part Number
150.0	152.0 x 106.0	556.0-632.0	Needle Roller	750	1500	JKS24
150.0	152.0 x 106.0	556.0-632.0	Ball Journal	750	1500	JKS25
200.0	152.0 x 106.0	607.0-683.0	Needle Roller	1000	2000	JKS26
200.0	152.0 x 106.0	607.0-683.0	Ball Journal	1000	2000	JKS27



Did you know you can build your own bespoke Castor? Call 01634 686504 for details



WHS Small Steel Wheel - Solid Tyre

- Light weight and strong
- All sizes in millimeters

Wheel Diameter	Tread Width	Bore Size	Bearing Type	Max. Load each (Kg)	Part Number
80.0	25.0	12.0	Roller	50	WHS1
100.0	30.0	12.0	Roller	70	WHS2
125.0	37.5	15.0	Roller	90	WHS3
150.0	40.0	15.0	Roller	110	WHS4
160.0	40.0	20.0	Roller	160	WHS5
200.0	50.0	20.0	Roller	205	WHS6



WH Plastic Wheel - Solid Tyre

- Light weight and strong
- All sizes in millimeters

Wheel Diameter	Tread Width	Bore Size	Hub Width	Bearing Type	Max. Load each (Kg)	Part Number
160.0	40.0	20.0	51.0	Plain	120	WH22
160.0	40.0	25.4	51.0	Plain	120	WH23
200.0	50.0	25.4	51.0	Plain	205	WH24
200.0	50.0	25.4	51.0	Roller	205	WH25
250.0	60.0	25.0	60.0	Roller	275	WH26
250.0	60.0	25.4	51.0	Plain	275	WH27
250.0	60.0	25.4	51.0	Roller	275	WH28
260.0	95.0	25.4	59.0	Plain	125	WH29
300.0	60.0	25.4	51.0	Plain	280	WH30
300.0	60.0	25.4	51.0	Roller	280	WH31
355.0	90.0	25.4	66.0	Plain	280	WH32
355.0	90.0	25.4	66.0	Roller	300	WH33
400.0	100.0	25.0	66.0	Roller	350	WH34
400.0	100.0	25.4	66.0	Plain	350	WH35
400.0	100.0	25.4	66.0	Roller	350	WH36

WHS Black Steel Wheel - Solid Tyre

• Light weight and strong • All sizes in millimeters



Wheel Diameter	Tread Width	Bore Size	Bearing Type	Max. Load each (Kg)	Part Number
200.0	50.0	50.0	Roller	205	WHS38
200.0	50.0	25.4	Roller	205	WHS7
200.0	50.0	25.0	Roller	600	WHS40
250.0	60.0	25.4	Roller	350	WHS8
250.0	60.0	25.0	Roller	350	WHS9
300.0	60.0	25.4	Roller	400	WHS10
350.0	80.0	25.4	Roller	400	WHS11
350.0	80.0	25.0	Ball Journal	400	WHS12
350.0	80.0	25.4	Ball Journal	400	WHS13
400.0	100.0	25.4	Roller	700	WHS14
400.0	100.0	25.0	Ball Journal	700	WHS15
400.0	100.0	25.4	Ball Journal	700	WHS16

WH Red Plastic Wheel - Pneumatic Tyre

• Pneumatic tyres offer extra suspension and grip • All sizes in millimeters



Wheel Diameter	Tread Width	Bore Size	Tread Type	Bearing Type	Max. Load each (Kg)	Part Number
200.0	50.0	20.0	Ribbed	Roller	75	WH9
260.0	85.0	20.0	Diamond Pattern	Roller	120	WH47
260.0	85.0	25.4	Diamond Pattern	Roller	120	WH51
300.0	100.0	25.4	Diamond Pattern	Roller	155	WH55
400.0	105.0	25.4	Ribbed	Plain	200	WH59
400.0	105.0	25.4	Ribbed	Roller	200	WH60
400.0	105.0	25.4	Diamond Pattern	Roller	200	WH62



WHS Steel Wheel - Pneumatic Tyre

• Pneumatic tyres offer extra suspension and grip • Also available in red • All sizes in millimeters

Wheel Diameter	Tread Width	Tread Style	Hub Width	Bearing Type	Max. Load each (Kg)	Part Number
200.0	50.0	Ribbed	20.0	Roller	75	WHS17
260.0	85.0	Diamond Pattern	20.0	Roller	200	WHS20
260.0	85.0	Diamond Pattern	25.0	Roller	200	WHS21
260.0	85.0	Diamond Pattern	25.4	Roller	200	WHS22
300.0	100.0	Diamond Pattern	25.0	Roller	250	WHS26
300.0	100.0	Diamond Pattern	25.4	Roller	250	WHS27
400.0	105.0	Ribbed	25.0	Roller	250	WHS33
400.0	105.0	Ribbed	25.4	Roller	250	WHS34
400.0	105.0	Ribbed	25.4	Roller	300	WHS35
400.0	105.0	Diamond Pattern	25.0	Roller	300	WHS36
400.0	105.0	Ribbed	25.4	Roller	300	WHS37



WH Puncture Proof - Steel Wheel

• Puncture proof tyre • Light weight and strong • All sizes in millimeters

Wheel Diameter	Tread Width	Bore Size	Hub Width	Bearing Type	Max. Load each (Kg)	Part Number
260.0	85.0	25.0	65.0	Needle Roller	120	WHS46
260.0	85.0	25.4	65.0	Needle Roller	120	WHS47
260.0	85.0	20.0	75.0	Needle Roller	120	WHS48
260.0	85.0	25.0	75.0	Needle Roller	120	WHS49
260.0	85.0	25.4	75.0	Needle Roller	120	WHS51
260.0	85.0	20.0	65.0	Needle Roller	120	WHS52
260.0	85.0	20.0	65.0	Ball Bearing	120	WHS53
260.0	85.0	25.0	65.0	Needle Roller	120	WHS54
260.0	85.0	25.0	65.0	Ball Bearing	120	WHS55
260.0	85.0	25.4	65.0	Needle Roller	120	WHS56
260.0	85.0	20.0	75.0	Needle Roller	120	WHS73
260.0	85.0	25.0	75.0	Needle Roller	120	WHS57
260.0	85.0	25.4	75.0	Needle Roller	120	WHS58

WHS Puncture Proof Steel Wheels Offset Hub

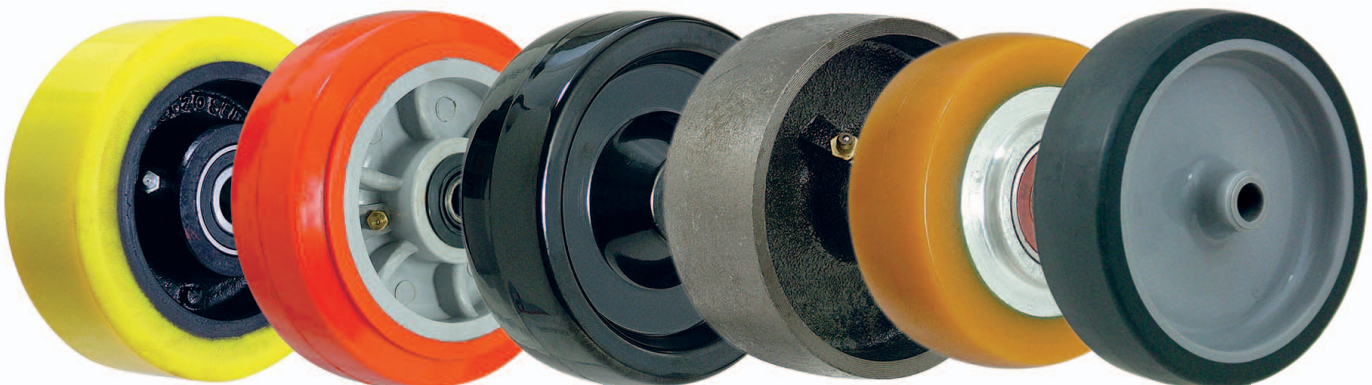
- Puncture proof tyre
- Light weight and strong
- All sizes in millimeters



Wheel Diameter	Tread Width	Hub Width	Bore Size	Bearing Type	Max. Load each	Part Number
260.0	85.0	56.0	16.0	Ball Bearing	150	WHS43
260.0	80.0	59.0	16.0	Ball Bearing	150	WHS59

WH Custom Built Castors

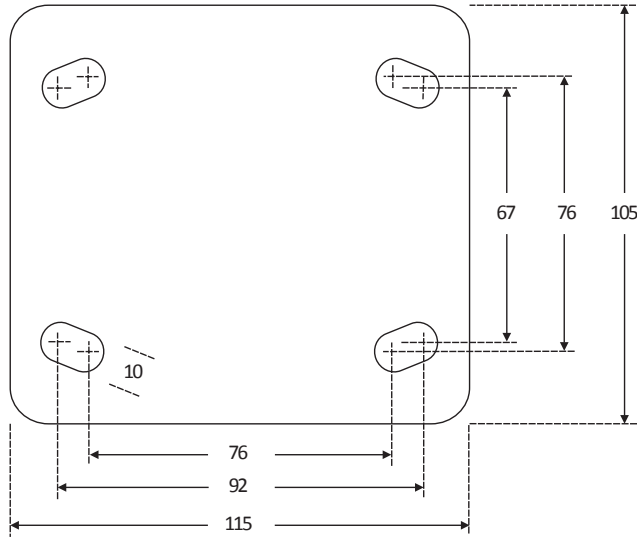
- Huge range of options
- Fully customisable
- Quick and efficient service
- Call for full details





CPNW Steel Wheel Puncture Proof Tyre Castor

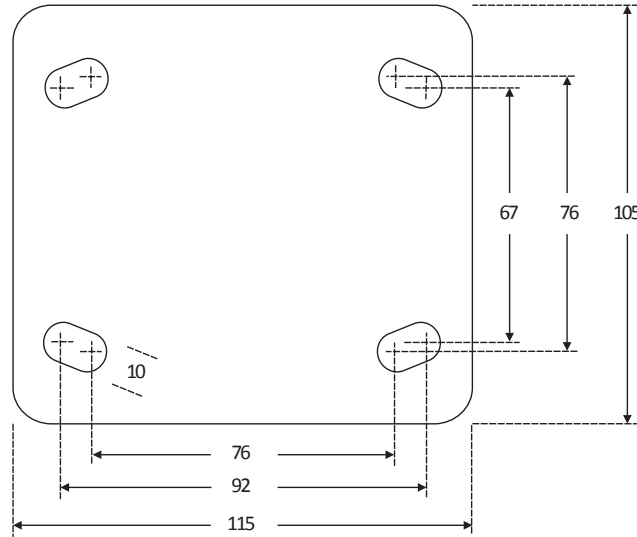
- Pneumatic tyres offer extra suspension and grip
- All sizes in millimeters



Wheel Diameter	Style	Center Material	Fitted Height	Tread Width	Tread Style	Bearing Type	Max. Load each (Kg)	Max. Load per 4 (Kg)	Part Number
260.0	Swivel	Steel	318.0	85.0	Ribbed	Needle Roller	120	360	CPNW6
260.0	Swivel & Brake	Steel	318.0	85.0	Ribbed	Needle Roller	120	360	CPNW7
260.0	Fixed	Steel	318.0	85.0	Ribbed	Needle Roller	120	360	CPNW8
260.0	Swivel	Steel	318.0	85.0	Diamond	Needle Roller	120	360	CPNW9
260.0	Swivel & Brake	Steel	318.0	85.0	Diamond	Needle Roller	120	360	CPNW10
260.0	Fixed	Steel	318.0	85.0	Diamond	Needle Roller	120	360	CPNW11
260.0	Swivel	Plastic	318.0	85.0	Ribbed	Needle Roller	120	360	CPNW12
260.0	Swivel & Brake	Plastic	318.0	85.0	Ribbed	Needle Roller	120	360	CPNW13
260.0	Fixed	Plastic	318.0	85.0	Ribbed	Needle Roller	120	360	CPNW14
260.0	Swivel	Plastic	318.0	85.0	Diamond	Needle Roller	120	360	CPNW15
260.0	Swivel & Brake	Plastic	318.0	85.0	Diamond	Needle Roller	120	360	CPNW16
260.0	Fixed	Plastic	318.0	85.0	Diamond	Needle Roller	120	360	CPNW17

CPNW Steel Wheel Pneumatic Tyre Castor

- Puncture proof tyre
- Light weight and strong
- All sizes in millimeters



Wheel Diameter	Fitted Height	Tread Width	Tread Style	Bearing Type	Max. Load each (Kg)	Max. Load per 4 (Kg)	Part Number
220.0	225.0	60.0	Wave	Ball Journal	136	408	CPNW1
220.0	225.0	60.0	Wave	Ball Journal	136	408	CPNW2
260.0	318.0	85.0	Diamond	Needle Roller	270	810	CPNW3
260.0	318.0	85.0	Diamond	Needle Roller	270	810	CPNW4
260.0	318.0	85.0	Diamond	Needle Roller	270	810	CPNW5



Can't see the Castor you need?
 Call 01634 686504 today
 to discuss a custom castor

“Keep it Simple”



For more information visit: www.component-force.co.uk
Component Force Ltd, Unit 19, Laker Road,
Rochester, Kent, ME1 3QX, UK
T: **01634 686504** F: **01634 686404**
E: sales@component-force.co.uk