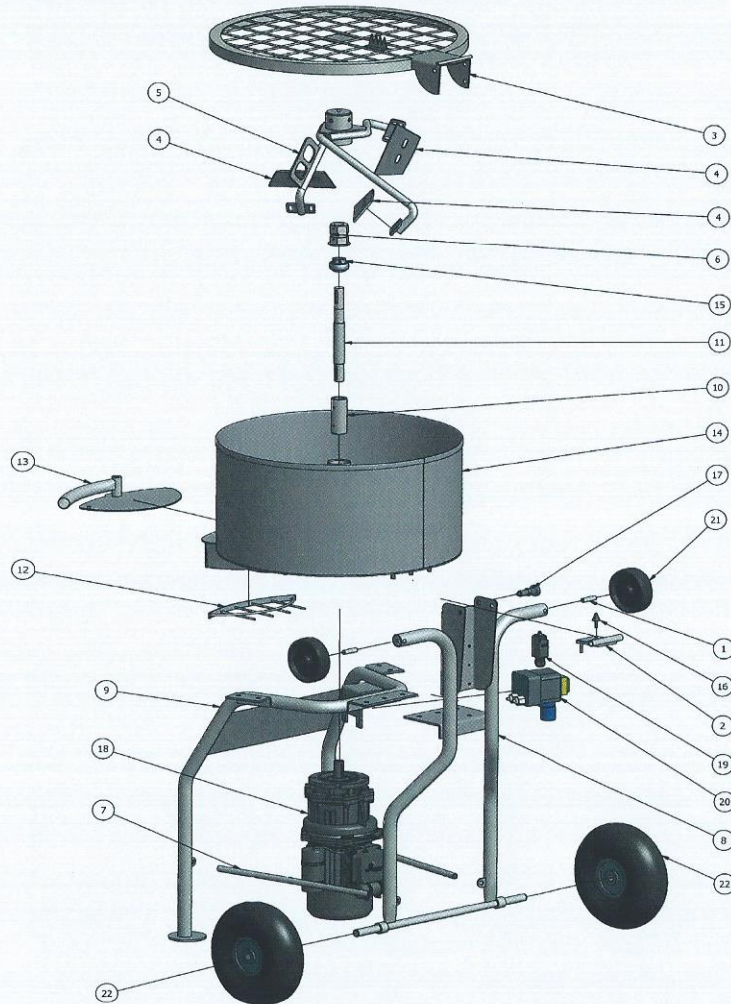


E90 Reservedele / spare parts



POS.	PART NUMBER	BESKRIVELSE	DESCRIPTION
1	M110.060.050	Bøsning for transporthjul	Bushing for transportwheel
2	M110.060.000	Plade for lågkontakt	Plate for cover switch
3	E090.525.000	Låg E090	Cover E090
4	E090.475.000	Metalskovle	Metalshovels
5	E090.450.000	Blanderarm E090	Mixer head E090
6	M080.426.000	Hoved for drivaksel 24mm	Drive head 24mm
7	E090.380.000	Forbindelsesstykke	Connection bar
8	E090.375.000	Bagramme understel	Back frame
9	E090.350.000	Forramme understel	Front frame
10	M080.300.000	Bøsning for drivaksel	Bushing for driveshaft
11	M080.275.000	Drivaksel	Driveshaft
12	E090.150.000	Sikkerhedsgitter for udløb	Outlet protection
13	E090.125.000	Udløbsplade komplet	Trapdoor complete
14	E090.050.000	Blandekar	Container
15	B.000.070.110	Kugleleje	Bearing
16	B.000.070.010	Gummidæmper	Rubber damper
17	B.000.060.010	Positionsbolt	Positioning bolt
18	B.000.045.100	Motor og gear	Motor and gear
19	B.000.030.010	Mekanisk lågkontakt	Mechanical cover switch
20	B.000.020.010	Hovedafbryder	Main switch
21	B.000.010.020	Transporthjul	Transportwheel
22	B.000.010.010	Luftgummihjul	Rubberwheel

ØVRIGE RESERVEDELE

Spandehylde
 Maskinovertræk
 Forlænger kabel med CE-stik
 Gear til 1,1KW
 Motor 1,1KW (ny type)
 Støvlåg
 Gummiskovle
 Gearpakning/simmerring

OTHER SPARE PARTS

Bucket support
 Machine protection
 Extension cable w. CE-plug
 Gear for 1,1KW
 Motor 1,1KW (new type)
 Dustlid
 Rubber shovels
 Gasket for gear/motor