

# Büchi «pilotclave»

## Pressure reactors for research and small-scale production



Think about parameters like

- Pressure range
  - Temperature range
  - Volume
  - Material
  - Grade of automation
- ... and contact us.

We like to help you to accomplish your plans.

Applications

- hydrogenation
- polymerization
- crystallization
- synthesis



 **büchiglasuster**  
switzerland Pilot Plant and Reactor Systems

BÜCHI – THE WAY TO GET RESULTS!

# Pressure Reactors, as individual as your needs

Pressure reactors with large volumes are used for many different processes in chemical and pharmaceutical industries. The design is therefore often customized. We plan and manufacture single reactors as well as skid mounted multiple reactor systems according to customer **specification**.



20 liter, 350 bar, 350°C, Hastelloy, electric lift, easy access swing-out mechanism



100 liter, 60 bar hydrogenation reactor, Hastelloy, cGMP, wall mounted



DN600 Hastelloy reactor head, 120 bar, polished, ATEX, FDA





20 liter pressure reactor with sight glass, reflux condenser, receiver with sight glass, ATEX



Powerful stirrer drive with 3600 Ncm torque magnetic coupling



100 liter 50 bar hydrogenation reactor



100 liter, 40 bar reactor with pressure distillation overhead



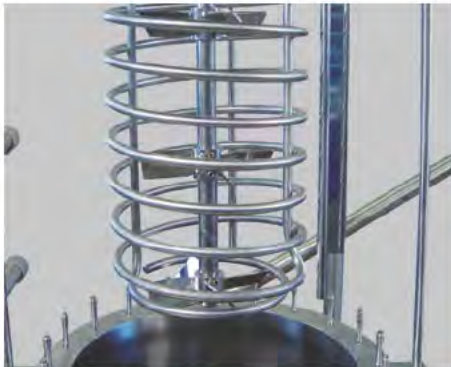
Magnetic couplings: mixing of high viscosity products at high pressure / temperature



Reactor vessel head with automated valves, Hastelloy, ATEX

# Engineering: Details matter

The know-how of our engineering department in responding to individual customer requests is an essential part in successfully implementing such projects.



Internal cooling coil for emergency cooling



Turbine stirrer with gas inlet sparging tube for hydrogen



Automation as requested – fully automated multi-reactor system

## Our expertise – to your benefits

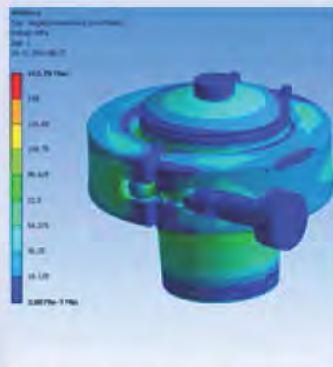
Büchi has a wide range of competence such as material knowledge, experienced engineers and engineering tools to find the optimal solutions. Our top objective is to design products which guarantee best performance and operator safety.

### Material



Glass, stainless steel, glass-lined steel, Hastelloy, Titanium, Tantalum, etc.

### Engineering tools



Engineering software

### Approvals



actual international regulations, codes and standards

### Expertise



Understanding the customer's need



## KEN KIMBLE (Reactor Vessels) Ltd

85 Thomas Way, Lakesview International Business Park  
Hersden, Canterbury, Kent. CT3 4NH  
Tel: 01227 710274 Fax: 01227 258840  
Email: sales@kenkimble.co.uk Web: www.kenkimble.com



switzerland

Pilot Plant and Reactor Systems