



WINDOW TECHNOLOGY
DOOR TECHNOLOGY
AUTOMATIC ENTRANCE SYSTEMS
BUILDING MANAGEMENT SYSTEMS



WINDOW TECHNOLOGY – ORDER CATALOGUE

The UNI-JET Tilt&Turn hardware range



THE CENTRAL
LOCKING
SYSTEM
PRINCIPLE

Edition 04/2017

- Modern window solutions
- UNI-JET central locking system for PVC, timber and aluminium windows
- UNI-JET hinge-side and frame components for PVC windows
- UNI-JET hinge-side and frame components for timber windows
- UNI-JET hinge-side and frame components for aluminium windows
- UNI-JET accessories for PVC, timber and aluminium windows

Securing technology for you





By courtesy of Kap Planungsbüro für Bauleistungen GmbH, Fellbach

Commitment to tradition – setting the highest design and quality standards

A corporate group with tradition

For over 100 years, the owner-managed GU Group has been fascinated with the opening, moving, closing and locking of windows and doors. Technical innovations and continual development of architectural hardware technology have and will continue to shape forces in the market, setting new standards and trends for the future.

The Gretsch-Unitas Group

The corporate group consists of more than 50 manufacturing and distribution companies in 35 countries. With the internationally leading brands GU (architectural hardware), BKS (locks, locking systems) and FERCO (architectural hardware), the group offers "Securing technology for you".

Corporate group product overview

In its window technology, door technology, automatic entrance systems and building management systems divisions, the GU Group manufactures and distributes about 30,000 single items which are easy to combine.

Securing technology for you

We use the major challenges of creating innovative und visionary system solutions to break new ground. Together with architects, planners and profile system manufacturers, we develop individual comprehensive solutions.



1 Modern window solutions

| | |
|-----------------------------|----|
| 1.1 – General information | |
| Table of contents | 5 |
| 1.2 – Technical information | |
| Table of contents | 25 |
| Ordering made easy | 26 |



2 UNI-JET central locking system for PVC, timber and aluminium windows

| | |
|---------------------------------|-----|
| Table of contents | 67 |
| 2.1 Overview of hardware sets | 69 |
| 2.2 – 2.8 Individual components | 111 |



3 UNI-JET hinge-side and frame components for PVC windows

| | |
|---------------------------------------|-----|
| Table of contents | 193 |
| 3.1 Face-fixed hinge-side | 195 |
| 3.2 Concealed hinge-side | 231 |
| 3.3 Profile-specific frame components | 245 |



4 UNI-JET hinge-side and frame components for timber windows

| | |
|---------------------------|-----|
| Table of contents | 263 |
| 4.1 Face-fixed hinge-side | 265 |
| 4.2 Concealed hinge-side | 391 |
| 4.3 Frame components | 413 |



5 UNI-JET hinge-side and frame components for aluminium windows

| | |
|---------------------------|-----|
| Table of contents | 437 |
| 5.1 Face-fixed hinge-side | 439 |
| 5.2 Concealed hinge-side | 469 |
| 5.3 Frame components | 477 |



6 UNI-JET Accessories

| | |
|-----------------------------------|-----|
| Table of contents | 481 |
| 6.1 Comfort components | 483 |
| 6.2 Burglar-inhibiting components | 519 |
| 6.3 Assembly tools | 527 |
| 6.4 Window handles | 539 |

Keep all your options open.

Side-Hung, Inline-Sliding, Top-Hung, Tilt-Only, Vertical-Pivot or Slide&Fold windows. Single or multi-sashed in different shapes. Made of PVC, timber and aluminium. The GU group provides all options to window fabricators all over the world and also makes their job equally straightforward: by supplying high-quality hardware systems that not only satisfy high technical and aesthetic demands, but also increase fabrication, installation and storage efficiency.

1.1 General information

| | |
|--|----|
| For universal use: the UNI-JET central locking system | 6 |
| Well thought out down to the last detail: the UNI-JET central locking system | 8 |
| The face-fixed UNI-JET hinge-sides | 10 |
| The concealed UNI-JET hinge-sides | 12 |
| Systematic service | 14 |
| The hardware confiGurator | 16 |
| Our service on the Internet | 17 |
| Intended use of UNI-JET | 18 |
| UNI-JET 10-year guarantee, exclusion of liability | 19 |
| Misuse and product performance | 20 |
| Duty to inform and to instruct and use for similar kinds of hardware | 21 |
| Product maintenance | 22 |
| Surface sealing | |
| ferGUard*silver | 23 |
| faceGUard | 24 |

For universal use: the UNI-JET central locking system



For universal use: the UNI-JET central locking system



One solution fits all – the central locking system principle

With the central locking system, the GU group supplies a hardware system which can be used universally for all window shapes, and all PVC, timber or aluminium windows with a 16 mm hardware groove: from Tilt&Turn windows to Horizontal-Pivot and Vertical-Pivot windows through to Tilt&Slide and Fold&Slide balcony-doors. Special shapes, such as round-arched, basket-arched and pointed-arched windows are possible using a small number of additional components.

Efficient storage, manufacturing and installation

As the central locking system can be used universally, different hardware systems are no longer required during manufacturing: this reduces the expenditure for storage and reordering and simplifies installation. As the system requires comparatively few hardware components, which can be flexibly used in different opening types, this not only guarantees easy installation but also reduces the number of individual components to a minimum.

Integrated security benefits

In addition to opening and closing conveniently, window hardware is also required to satisfy another important criterion – burglar resistance. The design of the central locking system is always the same irrespective of the required security – from basic security through to the tested burglary resistance classes RC1 N, RC2 N and RC2. The configuration of burglar resistance classes is determined most importantly by the selection of different strikers.



**THE CENTRAL
LOCKING
SYSTEM
PRINCIPLE**

One solution for all window types and materials. Special central locking systems are only required for the Lift&Slide systems and with ALU-JET AK 8.



Tilt&Turn window



Horizontal-Pivot window



Vertical-Pivot window



Tilt&Slide window / door



Parallel-Slide window / door



Fold&Slide window / door

Well thought out down to the last detail: the UNI-JET central locking system



From automatic cams through to anti-slam devices

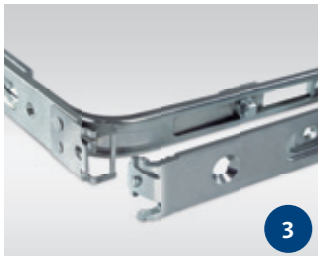
Ingenious technical solutions that can be combined to form an intelligent system: all components of the central locking system are precisely coordinated and have been developed with the aim of simplifying manufacturing, installation and operation.



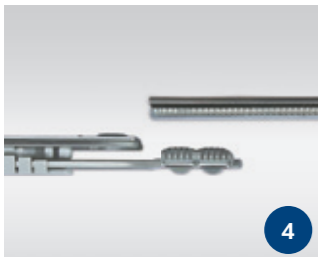
Cleverle
The Cleverle automatic cam compensates for clearances of between 8.5 and 15 mm in conjunction with the standard striker, simplifying installation and maintenance.



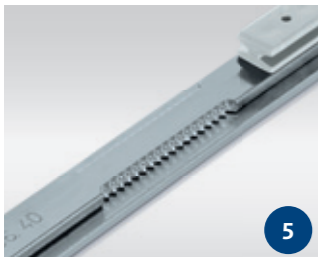
Clip connection
The drive-gear and stay-guide's connection is implemented both safely and practically, thanks to the clip-in function.



Linear, automated-machinery compatible connection
Build windows cost-effectively: the linear connection simplifies automated-machinery fabrication.



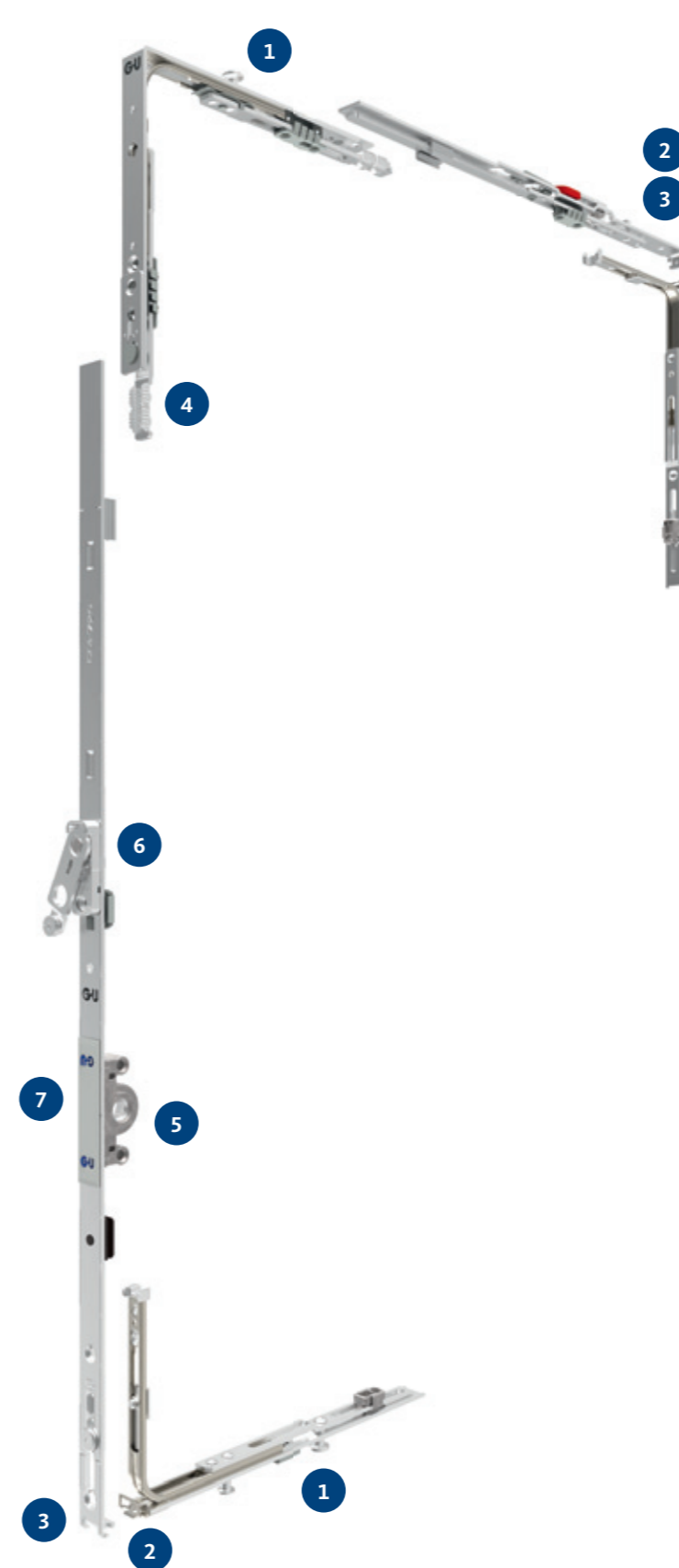
Straight(forward) cropping
Easily crop drive-gears and stay-guides to the required length – no special staggered punching machinery required: also ideally suited for subsequent cutting on site.



Fixed handle height drive-gear
Ideal for modular connections: the fixed handle height drive-gear can be cropped by 160 mm to accommodate other hardware components.



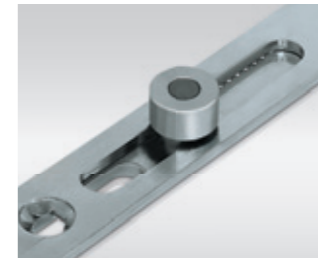
Well thought out down to the last detail: the UNI-JET central locking system



Sash lifter
The sash lifter gently lifts the sash into the closed position, supporting user-friendly operation and preventing mishandling.



Logo clip
The logo clip is suitable for the application of CE and RC2 markings or fabricator logos and addresses.



Magnetic contact
Various components incorporating magnets are available for opening & locking monitoring up to VdS grade C.



Standard ferGUard*silver surface sealing
Enduring high-quality aesthetics: ferGUard*silver is highly resistant to corrosion as verified by the results of standardised salt spray tests.



faceGUard – surface treatment for the highest demands
The surface treatment for protection against aggressive climatic conditions, e.g. in coastal regions. Meets the requirements of the stringent salt spray test for up to 1500 hours.



Flat packaging
UNI-JET is supplied in ergonomic flat packaging which makes installation easier and saves warehouse space.

The face-fixed UNI-JET hinge-sides



The face-fixed UNI-JET hinge-sides



The face-fixed UNI-JET D, UNI-JET M, UNI-JET S and UNI-JET C hinge-sides

Aesthetics and slimline features in window design are becoming more and more important. The technical demands are also increasing: the emergence of trends such as triple glazing and floor-to-ceiling windows mean that greater sash weights are required. With UNI-JET, the GU group provides a range of hinge-sides that satisfies these design and technology expectations – irrespective of whether for PVC, timber or aluminium windows.

Tried-and-tested technology with an appealing look

The UNI-JET hinge-side is convincing due to its cohesive elegant design which blends harmoniously with modern window frames: the high-quality surface in white paint or silver aesthetics has no visible screws or pins, which means cover caps are no longer required. Additional colours are available on request or choose from the wide range of cover caps available.

The lasting effective solution

The UNI-JET can carry sash weights up to 200 kg and floor-to-ceiling sashes up to a height of 2800 mm – without requiring any additional components and with identical visual appearance. Ease of movement when opening and closing is also ensured up to the safety class RC3. The hardware functions are guaranteed for 10 years, ensuring their long term reliability.

Easy handling in production

The entire UNI-JET hardware range is designed for easy, efficient and machine-compatible fabrication. Symmetrical components, hole and screw patterns make hardware installation easy. Flat packagings and a reduced number of components save warehouse space.

Product overview

| Description | PVC | | | Aluminium | |
|--|-------------|------------|-------------|-------------|-------------|
| | UNI-JET D | UNI-JET M | UNI-JET S | UNI-JET D | UNI-JET C |
| Description | D = drilled | M = milled | S = screwed | D = drilled | C = clamped |
| Sash rebate width (mm) | 280-1600 | 280-1700 | 280-1600 | 280-1600 | 280-1600 |
| Sash rebate height (mm) | 280-2800 | 280-2800 | 280-2800 | 280-2800 | 280-2800 |
| Tested hardware load-bearing capacity (kg) | 150 | 200 | 130 | 100 | 130 |

For all stated weights and dimensions, please refer to our application diagrams. For more information: www.g-u.com

The concealed UNI-JET hinge-sides



The concealed UNI-JET hinge-sides



The concealed UNI-JET SCF and UNI-JET CC hinge-sides

The GU Group provides a wide range of concealed hinge-sides for PVC, timber and aluminium windows in order to meet high design expectations and extend the scope of window design and manufacturing freedom. The fully concealed hinges make the window profiles a visual highlight.

No compromises on design and functionality

The UNI-JET SCF hinge-side for PVC and timber windows with overlap, with CONTURA-compatible profile and for flush windows, and the UNI-JET CC hinge-side for aluminium windows emphasise clear architectural lines and offer the same degree of safety and functionality as the face-fixed hinge-sides from the GU group.

The invisible load carrier

Sash weights up to 160 kg, floor-to-ceiling sashes up to 2800 mm and ease of operation, also in safety classes up to RC2 – the concealed hinge-sides have been found to perfectly satisfy all of the above when subjected to 15,000 test cycles. The option of a barrier-free version provides an additional benefit.

More installation efficiency

With concealed hinge-sides, the sashes are hinged parallel to the frame. This allows for one-man installation. Space-saving packaging and a reduced number of components also reduce storage overheads.

Product overview

| Description | PVC | Timber | Aluminium |
|--|---|---|------------------------------|
| Tilt&Turn hardware | UNI-JET SCF | UNI-JET SCF | UNI-JET CC |
| Description | S = screwed C = concealed F = flush | S = screwed C = concealed F = flush | C = clamped C = concealed |
| Sash rebate width (mm) | 390-1400 | 390-1400 | 390-1400 |
| Sash rebate height (mm) | 350-2800 | 350-2800 | 350-2800 |
| Tested hardware load-bearing capacity (kg) | 130* | 130* | 130 |

* 160 kg with optional load-absorption set
For all stated weights and dimensions, please refer to our application diagrams. For more information: www.g-u.com

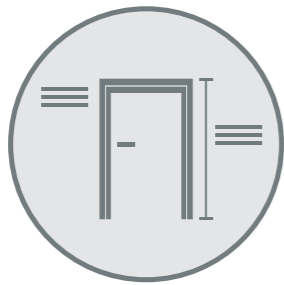


Systematic Service



configURator

The right products in the right quantity: the practical configURator is an online platform where part lists and hardware sets can be precisely determined. The data is determined based on current conditions and fundamental technical principles.



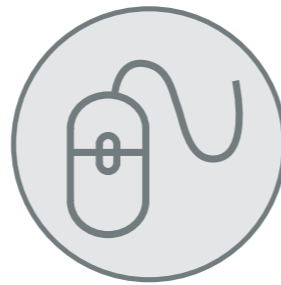
Hardware data service

Individual, accurate and comprehensive: GU's hardware data service generates hardware master data as defined in our catalogues or according to the fabricator's individual requirements. As a result, the customer has access to project-specific hardware data with commercial and technical details.



Tender-Text-Manager

Comprehensive, reliable and technically up-to-date: with the Tender-Text-Manager, the GU group provides its customers with a convenient and effective online tool that allows them to effortlessly compile technical specifications and complete tender text specifications – for all of GU's products.



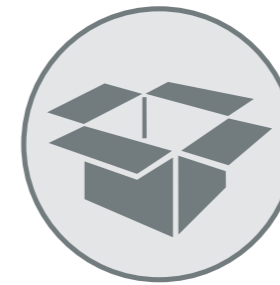
Customer Information System

Available at the click of a mouse: the Customer Information System (CIS) is an ordering and information system for all of GU's products. Customers can use the online platform 24/7 to access important information: from preparing a quotation all the way through to carrying out an availability check in real time, and from placing an order through to tracking it down.



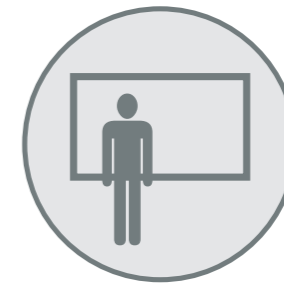
Order by Scanning (Obs)

The ordering system for streamlined logistics: Order by Scanning (Obs) is an easy-to-use scanner ordering system for recording requirements in production, warehouse and administration. The data is scanned via special barcode labels and transmitted to the GU group directly online. The corresponding order number is displayed immediately and the status can be conveniently tracked online.



Logistics

Saves space and time: with the flat and ergonomically-optimised UNI-JET Tilt&Turn hardware packaging, the GU group ensures efficient storage and easy removal of components at the workplace. This makes day-to-day work processes faster and more efficient.



Seminars and training courses

Practical knowledge based on first-hand experience: With around 160 events annually, the GU group offers an extremely wide range of seminars and training courses. The programme includes product innovations and their applications, current architectural trends, standards and directives. Several seminars and training courses are certified and recognised as advanced training courses by the chamber of architects and civil engineers in Germany.



Licences and CE

Maximum security as standard: The GU Group is a CE licensor for windows and balcony-doors and can undertake the CE certification on your behalf thus saving you time and effort in your day-to-day business.



A product on its own is not a solution. The correct level of security, function and cost effectiveness can only be achieved with the right planning and by ensuring correct application. The GU Group therefore also applies the systematic thought processes demonstrated in its product range to its service offering. Close interlinking of one-to-one expert advice, free online support and a comprehensive programme of technical seminars aims to make the day-to-day work of customers easier.

The hardware confiGUrator

Guided ordering at the click of a button



The hardware confiGUrator – the software for fabricators and planners

The hardware confiGUrator is a tool which is used to put hardware sets together quickly and without errors. The data obtained can then be displayed in the form of a hardware overview, quotation or order overview. The data can be transferred electronically as a pdf file at the push of a button, or transmitted in the CIS (Customer Information System). The customer can enquire about the status of his order via the CIS.

This service by Gretsch-Unitas allows the customer to quickly access hardware data, from acquisition to ordering through to delivery of the goods.

- System requirements**
- Internet connection
 - Enabling by GU sales

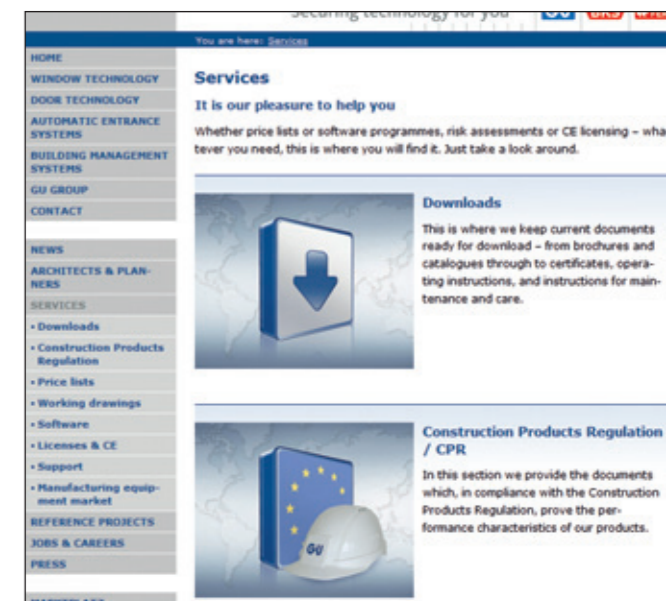
- Service e-mail**
- confiGUrator@g-u.de



Our service on the Internet



You can download **certificates** and **Declarations of Performance (DoP)** for our products on our website at: www.g-u.com/en/services/construction-products-regulation.html



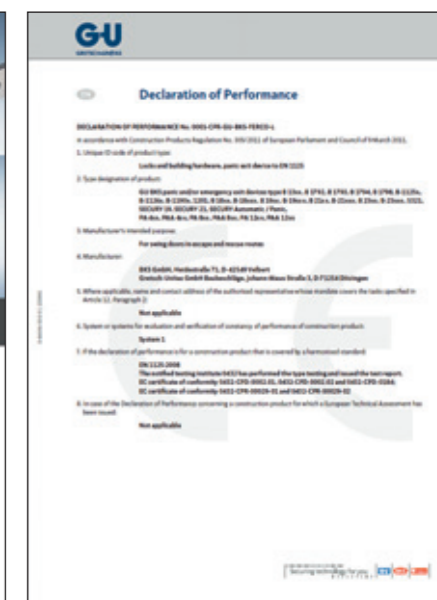
Here, you can also find supplementary documents such as the **Environmental Product Declaration** and **clearance certificate** in accordance with the REACH regulation



Clearance certificate/REACH



Environmental Product Declaration



Declaration of Performance

Intended use of UNI-JET



Tilt&Turn and Turn-Only hardware versions

Definition

For the purpose of this definition, Turn-Only and Tilt&Turn hardware is single-handle Turn-Only and Tilt&Turn hardware for windows and balcony-doors in building construction. Their purpose is to put window and balcony-door sashes in a turn-only position, or a tilt position which is restricted by the design of the stay, by operating a hand lever.

Intended use

Turn-Only and Tilt&Turn hardware is used for vertically installed windows and balcony-doors made of timber, PVC, aluminium or steel and combinations of these materials. The UNI-JET hinge sides are not approved for use with outward-opening windows and balcony-doors. For the purpose of this definition, conventional Turn-Only and Tilt&Turn hardware locks window and balcony-door sashes, or puts them into different ventilation positions. As a rule the opposing force of a gasket must be overcome when closing.

Additional hardware for Turn-Only and Tilt&Turn hardware, fanlight hardware:

Definition and intended use

For the purpose of this definition, rebate stays as well as security and cleaning stays in fanlight openers limit the tilting movement of the window sash once the stay has been detached. The catch position thus achieved is slightly larger than the opening width achieved by the opening stay. Rebate and cleaning stays also hold the window sash in the cleaning position. For the purpose of this definition, hardware for coupled sashes consists of hinges that allow the coupled sash to be opened to clean the inner surfaces of the glass and couplings that lock the coupled sash on the side opposite the hinge. Operation of the coupled sash hardware for any other purpose other than cleaning the glass does not correspond to the intended use. For the purpose of this definition, window friction stays restrict the movement of Turn-Only sashes and of Tilt&Turn sashes in turning position – e.g. by means of friction. Depending on the intensity of the friction, they have the effect of fixing the sash in position without limiting the opening. For the purpose of this definition, hanging bearings are Tilt-Only hinges that, due to the position of their centre of rotation and because a maximum dimension for the overlap of the window sash below is taken into account, allow the Tilt-Only sash to be opened by 180°. When this additional hardware is used, the product information on the main hardware and information on its intended use must be observed.

Deviating usage – Exclusion of liability

Any use other than the intended use is considered as unintended use and leads to exclusion of liability.

Notes regarding use restrictions

Opened balcony-door and window sashes as well as window and balcony-door sashes that are not locked or put in the tilt position only provide a shielding function and do not satisfy the requirements for joint impermeability, resistance to driving rain, sound insulation, thermal insulation and burglar inhibition. Windows and balcony-doors must be closed and locked if wind or draughts are present. Wind and draughts are present if the window or balcony-door opens and closes of its own accord without control in one of the opening positions due to air pressure/suction. Window and balcony-door sashes can only be fixed in the open position with additional locking hardware.

Necessity of special agreements in case of extended requirements

Burglar-inhibiting windows and balcony-doors and windows and balcony-doors for wet rooms and for use in environments whose air contains aggressive and corrosive substances require hardware with performance characteristics that are harmonised and agreed separately for each individual application. Their resistance to wind loads when closed and locked depends on the construction of the relevant window and balcony-door. If it is necessary to absorb specified wind loads (according to EN 12210 for example – especially testing pressure p3), suitable hardware combinations must be coordinated and agreed on the basis of the window or balcony-door construction and frame material. Generally the hardware as defined in 1.1 meets the requirements of barrier-free apartments (e.g. according to DIN 18040). However, corresponding hardware combinations and installations are required in the windows and balcony-doors that must be coordinated and agreed separately.

UNI-JET 10-year guarantee, exclusion of liability



10-years' guarantee for the UNI-JET Tilt&Turn hardware range

In addition to the statutory rights in accordance with general sales, supply & payment conditions, GRETSCH-UNITAS GmbH Baubeschläge offers its contractual partners in purchase contracts the following guarantee on all load-bearing parts (with the exception of electronic components) supplied within the scope of the GU UNI-JET hardware programme:

Guarantee promise

GRETSCH-UNITAS GmbH Baubeschläge guarantees all load-bearing parts against breakage during the guarantee period, providing the guarantee conditions are complied with.

The guarantee period is 10 years, beginning with the delivery of the goods (§ 477 German Civil Code).

We agree to provide the following guarantee:

In the event of any material breakage, a replacement will be delivered free of charge. Should any parts be discontinued, then an alternative part of equal specification will be delivered. Any such parts claimed under the terms of this guarantee will be delivered to the delivery address of the original sales invoice.

Terms of guarantee

The guarantee is deemed valid only on condition that the hardware has been installed by a competent person and operated correctly and in full accordance with the manufacturers' guidelines and that it can be demonstrated that the following maintenance works have been carried out at least once a year:

- Operational check and lubrication of all moving parts and locking points. Only cleaning agents that do not affect the corrosion protection may be used.
- The surface is subject to guarantee only if the hardware has not been affected by aggressive substances from the frame material, the paint finish or the environment.
- All size and weight limitations as specified in the installation instructions must be observed. All security-relevant hardware components must be checked regularly for secure fixing and wear and tear. If necessary, fixing screws must be re-tightened or the parts replaced. Adjustment, parts replacement and hinging/unhinging of opening sashes are to be carried out by specialists only.

In the event of any claim, a written notification within the guarantee period is required. Claims under the guarantee shall be time-barred after 6 months following the incident which led to the claim.

It is necessary before commissioning that the hardware components are adequately sufficiently cleaned and greased in accordance with the operating and maintenance instructions.

Our guarantee liability in accordance with the provisions in our General Terms and Conditions is not limited by this promise of guarantee within the duration of the statutory warranty period. Likewise, the statutory warranty liability is not extended by this guarantee promise. Claims arising from this additional guarantee promise can only be derived on the basis of the guarantee stated above and do not cover any compensation claims, assembly/disassembly costs or similar.

Exclusion of liability

The products of the Gretsche-Unitas Group are permanently adapted and developed to meet the growing demands of the market.

We also reserve the right to make changes during the course of technical development.

Further reasons for modification may be:

- Technical development
- Changes and adaptations in the product range
- Adaptation to changes in legislation and technical standards

The content of our documents was compiled with the greatest possible care. However, we accept no responsibility for errors or inaccuracies in relation to representation and description of the products.

Thank you for your understanding.

Misuse and product performance



Misuse

Misuse – by which is meant use of the product not in accordance with the intended use – of the aforementioned hardware for balcony-doors and windows specifically refers to the following cases in particular:

- if obstructions are placed in the opening area between the frame and sash thus making its intended use more difficult or preventing it altogether,
- if additional loads act on the window or balcony-door sashes (i.e. children swinging on these),
- if window and balcony-door sashes are pushed or even slammed in a manner which is not in accordance with their intended purpose or is not controlled (e.g. due to wind) with the result that either the hardware, frame materials or other individual parts of the window sashes or balcony-doors are damaged or destroyed, or where consequential damage could occur,
- if persons reach between the sash and frame or if a person or part of their body are in this area (danger to life and limb) when closing (or pushing shut),
In the case of fanlight hardware:
- if the stay-arms are not attached and secured in compliance with the manufacturer's instructions,
- if the window sash is not carefully put into the cleaning position when the opening stay is released.

Product performance

Maximum sash weight

The sash weights and maximum sash dimensions prescribed by the manufacturer for the individual hardware versions must not be exceeded. The component with the lowest permissible load-bearing capacity determines the max. sash weight. Application diagrams and assignment of components must be observed.

Additional points to observe in relation to fanlight hardware

Apart from the sash weight, the distance between the sash's centre of gravity and its pivot point is decisive for determining the maximum permissible sash dimensions. When determining the maximum sash size and the number of coupled sashes, it is important to observe the manufacturer's instructions for the various types of drive.

Sash sizes

The application diagrams in the planning documents, product catalogues or hardware installation instructions show the relationships between the permissible sash widths and sash heights and different glass weights or total glass thicknesses. The sash dimensions or orientation (portrait or landscape format) thus determined – as well as the maximum sash weight – must on no account whatsoever be exceeded.

Composition of hardware

The specifications of the manufacturer regarding hardware configuration (e.g. use of additional stays, design of hardware for burglar-inhibiting window and balcony-door sashes, etc.), are binding.

Duty to inform and to instruct and the use for similar hardware



Duty to inform and to instruct

In order to fulfil the duty to inform and instruct and also carry out maintenance work, the following documents in particular are available and must be forwarded via every intermediary and fabricator through to the end customer:

- Planning documents
- Product catalogues
- Hardware installation instructions
- Maintenance and care instructions as well as operating instructions for building owners and users

hereafter referred to as a whole or in part as "Product information" only for short. In order to ensure the reliability of the corresponding function of windows and balcony-doors:

- planners must obtain and observe the "Product information" from the manufacturer or specialist retailer,
- specialist retailers must observe the "Product information" – particularly in relation to advertising measures – and hand this to the next dealer and/or fabricator with the instructions also to pass these on to their purchaser,
- fabricators must observe the "Product information" and in particular pass the maintenance and care instructions and operating instructions to the clients and users.

Use for similar hardware

The possible variants within the individual hardware systems – e.g. Tilt-Only and Top-Hung sash hardware, or those that offer a ventilation position instead of or in addition to the tilt position where the sash is parked parallel in order to produce a continuous all-round gap – must be dealt with, depending on the relevant characteristics, in a similar fashion in terms of product information and intended use, misuse, product performance, product maintenance and duty to inform and instruct. Information provided by the Lock and Hardware Industry Trade Association e. V. Velbert. The following documentation concerning the correct handling of hardware for windows and balcony-doors with detailed information and explanatory pictograms can be downloaded from the association's website <http://www.fvsb.de/ggsb/richtlinien.asp>:

- Hardware for windows and balcony-doors – guidelines/advice on product and liability.
- Hardware for windows and balcony-doors – guidelines/advice for end users.
- Attachment of load-bearing components for Turn-Only and Tilt&Turn hardware with definitions for Turn-Only and Tilt&Turn hardware and also possible installation positions.



General notes

Safety-relevant hardware components must be checked at least once a year to ensure they are secure and not worn. If necessary, fixing screws must be re-tightened or the parts replaced. Furthermore the following verifiable maintenance work must be carried out at least once a year:

- Operational check and lubrication of all moving parts and locking points.
- Only cleaning agents and care products that do not interfere with the corrosion protection of the hardware may be used.

Adjustment work on the hardware – particularly in the area of pivot rests or stays – as well as parts replacement and hinging/unhinging of the opening sashes, must be carried out by specialists only. When a surface treatment is applied – e.g. painting or varnishing – to the window and balcony-doors, all hardware components must be excluded from the treatment and therefore protected against contamination.

Maintaining the quality of the surface finish

Electrolytically applied zinc coatings are not affected by normal room climates, providing condensation does not form on the hardware components or that condensation that occasionally forms is able to quickly dry. To maintain the surface quality of the hardware components on a lasting basis and prevent defects as a result of corrosion, observe the following points without fail:

- The hardware or rebate areas must be sufficiently ventilated – especially in the construction phase – to ensure they are not exposed directly to the effects of moisture or condensation. Ensure by taking appropriate (and lasting) measures that moist room air cannot condense in the rebate areas.
- The hardware must be kept free of deposits and contamination by construction materials (building dust, gypsum plaster, cement, etc.). Any plaster, mortar or similar must be removed prior to hydration with water.
- Aggressive vapours (e.g. caused by formic acid or acetic acid, ammonia, amine or ammonia compounds, aldehyde, phenols, chlorine, tannic acid, etc.) may promote rapid corrosion of the hardware components when combined with even small amounts of condensation. These kind of vapours must therefore be kept away from the window without fail.
- With windows and balcony-doors made of oak timber or another species containing a high proportion of (tannic) acid, make sure by applying a suitable surface treatment to the window that these substances cannot evaporate from the timber. The hardware must not come into direct contact with an untreated timber surface.
- Furthermore, acetic or acid cure sealants or sealants containing the ingredients referred to above must not be used as both direct contact with the sealant as well as the vapours it produces can attack the surface of the hardware.
- The hardware must only be cleaned using mild, pH-neutral cleaning agents in diluted form. Aggressive cleaners containing acid with all the ingredients referred to above or scouring agents must never be used.



ferGUard*silver coating system with outstanding corrosion protection

- Contact with materials such as mortar, cement dust and paint, varnishes, transparent coatings and cleaning detergents significantly affect the surface of architectural hardware over the years. This can lead to complaints from end users.
- Sealing the surface with ferGUard*silver reliably prevents damage through corrosion and accompanying complaints. It consists of a combined coating (zinc + passivation without hexavalent chromium + additional coating) with excellent corrosion protection qualities.
- The coating is applied without hexavalent chromium. This makes ferGUard*silver extremely environmentally friendly which is in line with contemporary requirements.
- Another advantage is the visual effect of the surface sealing. ferGUard creates an even, light silver surface on the hardware components. This high-quality appearance is another sales argument for you to use when selling the product to your customers.

How does the ferGUard*silver additional coating work?

In cooperation with leading process suppliers and the automotive industry, Gretsch-Unitas has developed the additional coating ferGUard*silver as an alternative to the conventional process.

After the usual treatment, an additional corrosion protection coating is applied to the hardware components in an additional work step. This process step is carried out at a fully automatic computer-controlled production facility.

The additional coat permeates deeply into the passivated coat, sealing the whole component firmly and permanently.

Special corrosion inhibitors added to the system also slow down the initial stages of corrosion.

Environmentally friendly method

The coating is applied without components that are harmful to the environment and heavy metals and therefore does not pollute either waste water or exhaust air. This is another example of the way in which Gretsch-Unitas is systematically designing production processes to minimise their impact on environment.

Additional benefits: colouring

Our hardware components sealed with ferGUard*silver stand out thanks to their attractively even, light silver colouring.

The extra coating on GU hardware offers dealers, fabricators and end customers a number of advantages.

Advantages of ferGUard*silver surface sealing

- Considerably improved corrosion protection due to additional coating
- Longer service life of window and door elements
- Dispensing with components or heavy metals that are harmful to the environment: the coating from Gretsch-Unitas is environmentally friendly and so fulfils contemporary requirements
- If there is mechanical damage to the surface, the remote protective action of the zinc coat protects against corrosion
- Even, light silver surface
- No hexavalent chromium in the surface sealing. In this way, ferGUard*silver fulfils the EU environmental protection requirements



UNI-JET hardware – tested in accordance with DIN EN 1670 class 5



Special solution for defending against aggressive influences

Extreme atmospheric conditions, as they can be found in some geographical regions or in certain industries, lead to a more intensive corrosive attack on the coating on hardware components. This applies, for example, to buildings near the coast, but also to industrialised regions and agricultural production sites. Moreover, wetrooms, direct weathering and contact with timber that is either impregnated with materials containing acid or naturally contains high levels of tannic acid – for example, oak – represent additional load factors.

In all these cases, the hardware surfaces need a particularly effective coating that can successfully resist the external influences of such corrosion-promoting environments. The ceramic high-tech coating faceGUard from Gretsch-Unitas lives up to these requirements. It provides a far higher degree of resistance than that stipulated by the standard. This guarantees the long service life of the elements, even in particularly harsh conditions.

In the case of the neutral salt spray test according to EN ISO 9227 (formerly DIN 50021-SS), faceGUard achieves excellent values.



Child's play even in extreme conditions

As a high-quality combination sealing, faceGUard possesses outstanding corrosion-protection characteristics. It should therefore be used wherever extreme and aggressive air and weathering conditions place extreme demands on the surface. Even in such conditions, faceGUard guarantees excellent functionality and a long service life.

Advantages of the GU surface sealing faceGUard

- The dramatically improved corrosion protection extends the functionality and hardware service life of the window and door elements
- The high-grade sealing protects all surfaces and offers utmost resistance against detergents, household chemicals and other substances. These characteristics are also in demand in commercial application areas with extremely high hygiene requirements, such as in dairies and cheese dairies
- faceGUard achieves peerless results in corrosion tests
- The sealing does not contain any hexavalent chromium and so complies with the EU environmental protection requirements
- The high-quality appearance is another sales argument



1.2 Technical information

| | |
|---|----|
| Ordering made easy | 26 |
| Colour directory | 30 |
| List of abbreviations | 31 |
| Installation drawings – central locking system | 32 |
| Installation drawings – face-fixed hinge-sides | |
| UNI-JET D (PVC), UNI-JET M6/12, UNI-JET M6/150, UNI-JET M8/12 | 33 |
| UNI-JET M20/12, UNI-JET M6/4, UNI-JET S, UNI-JET C, UNI-JET D (aluminium) | 34 |
| Installation drawings – concealed hinge-sides | |
| UNI-JET SCF, UNI-JET CONTURA, UNI-JET CC | 35 |
| Further installation drawings | |
| Dummy-mullion sash with lever-operated gear, large backset drive-gear | 36 |
| Backset reducing gear (minus 5), locking monitoring system, T&T thresholds, miscellaneous | 37 |
| RC2, RC3, operating and maintenance instructions | 38 |
| UNI-JET burglar inhibition | |
| UNI-JET central locking system | 39 |
| Overview of hardware up to test category RC2 PVC, 1-sashed | 40 |
| Overview of hardware up to test category RC2 PVC, 2-sashed | 41 |
| Overview of hardware up to test category RC2 timber/aluminium, 1-sashed | 42 |
| Overview of hardware up to test category RC2 timber/aluminium, 2-sashed | 43 |
| Application diagrams | 44 |

Ordering made easy

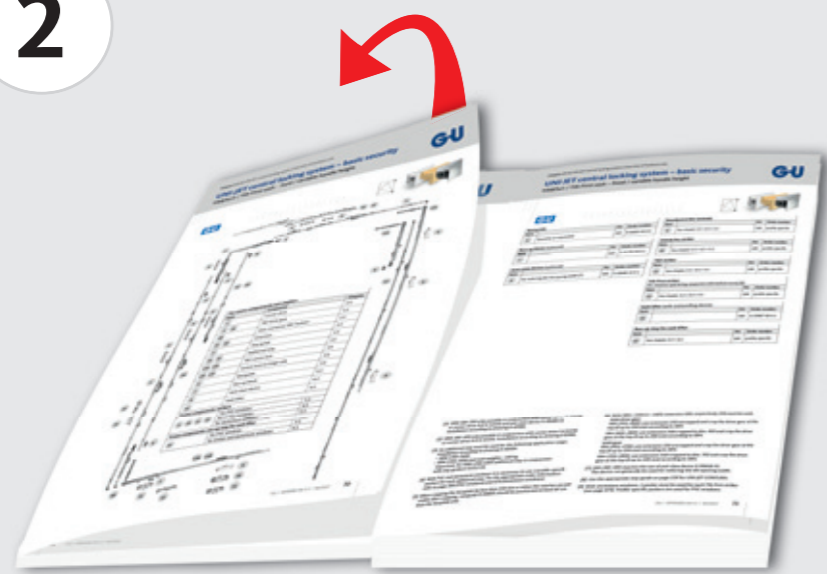
UNI-JET central locking system – the hinged system in 4 steps



1



2



Ordering made easy

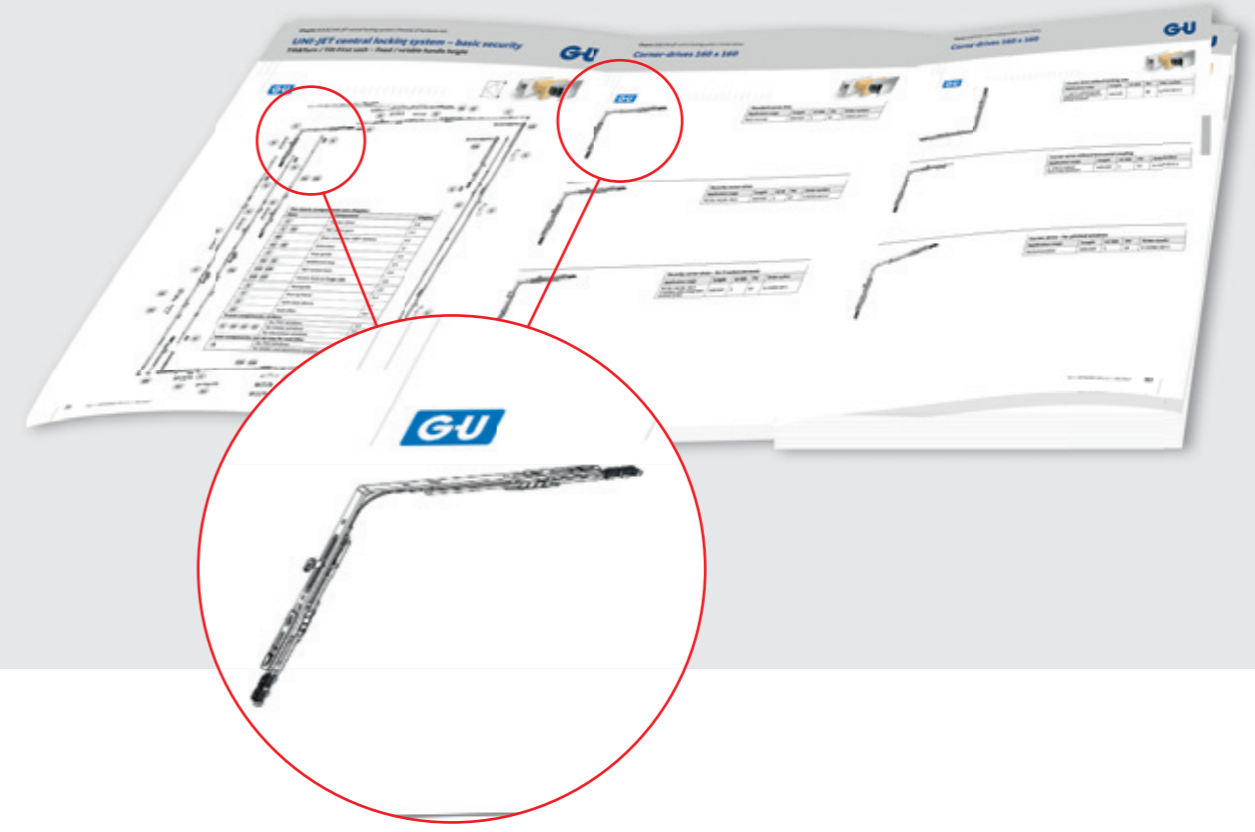
UNI-JET central locking system – the hinged system in 4 steps



3



4





Contents

The GU order catalogue contains all UNI-JET Tilt&Turn, Tilt-First, Turn-Only and Tilt-Only hardware systems for PVC, timber and aluminium windows and balcony-doors and accessories according to the latest state of the art. The following information will make you familiar with the catalogue structure which is designed to meet your day to day work considerably easier.

UNI-JET central locking system

The hardware illustrations are accompanied by product tables to help determine central locking requirements based on the sash size.

Tilt&Turn, Tilt-First, Turn-Only and Tilt-Only hinge-sides, accessories

The hardware illustrations are accompanied by product tables to assist in establishing the hardware requirements.

Make use of the benefits which are not available with the standard version by upgrading your windows with GU comfort components. These are listed in chapter 6 UNI-JET comfort components.

Variants and accessories

An at-a-glance overview showing the options available for all Tilt&Turn, Tilt-First, Turn-Only and Tilt-Only hardware is provided on the pages with the accessories, variants and turn handles. A concise summary of all supplements to standard versions are clearly arranged in the order catalogue.

Single parts and accessories

This section contains single components and accessories along with advice concerning application and packing units.

Drilling jigs and templates

Drilling jigs, templates and hardware assembly tools are arranged according to hinge-sides.

Strikers

Strikers are arranged according to opening method, profile system and the required burglar-inhibiting effect of the hardware.

Prices

For prices, refer to the valid price list in each case (WP00998-00-0-P). The article numbers are arranged in ascending order in the price list.

Additional sales documents

Apart from the order catalogue, the following documents for Tilt&Turn, Tilt-First, Turn-Only and Tilt-Only hardware are available:

- Brochures giving information about product features and benefits
- Installation drawings with assembly instructions
- Instructions for maintenance and care

Application

Applications for UNI-JET Tilt&Turn and Turn-Only hardware:

- 1-sashed windows and balcony-doors
- 2-sashed windows and balcony-doors without mullions
- triple-sash windows and balcony-doors without mullions
- lockable one-sashed balcony-doors
- 2-sashed, lockable balcony-doors without mullions
- arched and pitched windows
- Tilt-Only window

UNI-JET central locking systems with automatic locking cams

UNI-JET central locking systems are concealed in the rebate and operated with a single handle. All components are designed for a 16.2 mm wide and 2.5 mm deep hardware groove.



The Cleverle automatic cam

The Cleverle automatic cam compensates for clearances of between 8.5 and 15 mm in conjunction with the standard striker which simplifies installation and maintenance.

Snap-in and coupling connections

The drive gear and stay-arm connections can be snapped-in to the centre-locks. The connecting rods are coupled by means of double-sided teathed couplings, secured by sliders.

All croppable central locking components are fixed in Turn-Only position (installation position), corner drives and centre-locks feature 4-leaf stainless steel springs.

The GU ordering system

| Order number | Explanation |
|-----------------------|--|
| 6-28743 - □ □ - □ - □ | Article number |
| 0 3 - □ - □ | Size designation (e.g. overlap 15, 18, 20, 22 / axis 09, 13) |
| □ □ - L - □ | DIN LH |
| □ □ - R - □ | DIN RH |
| □ □ - 0 - □ | Non-handed (DIN LH and DIN RH usable) |
| □ □ - □ - 1 | F 1/EV 1, natural (silver) colour, ferGUard*silver |
| □ □ - □ - 2 | F 2/EV 2, nickel silver or champagne colour |
| □ □ - □ - 3 | F 3, brass or gold colour |
| □ □ - □ - 4 | UC 3, medium bronze or medium brown |
| □ □ - □ - A | F 4, bronze or bronze colour |
| □ □ - □ - 5 | UC 5, dark bronze or dark brown (RAL 8022) |
| □ □ - □ - 6 | Onyx-matt or black (RAL 9005) |
| □ □ - □ - 7 | White (RAL 9016) |
| □ □ - □ - 8 | Rustproof or rustproof coloured |
| □ □ - □ - C | Titanium colour |
| □ □ - □ - □ | Various finishes available |

Order numbers

The order number gives information about

- the product
- its size
- its application – e.g. DIN LH or DIN RH
- its colour

If the last digit of the order number is an □ please refer to the corresponding table to find out in which colours the product is available.

Painted versions can be obtained on request.

Colour directory



Cover caps

| Number | Colour | GU description | Description | Ending in SAP |
|--------|------------------------|----------------|------------------------|---------------|
| 1 | Silver colour | 1N (painted) | EV1 | 1 |
| 2 | Champagne | 2N (painted) | EV2 | 2 |
| 3 | Vaporised brass | 3R (vaporised) | Vaporised brass | 3R |
| 4 | Brass colours | 3N (painted) | Col. brass | 3N |
| 5 | Medium bronze | 4N (painted) | UC 3 | 4 |
| 6 | Dark bronze | 5X (coloured) | UC5 | 5 |
| 7 | Clay brown | 54 (painted) | RAL 8003 | 54 |
| 8 | Black | 6N (painted) | RAL 9005 | 6 |
| 9 | Cream white | 7R (painted) | RAL 9001 | 7R |
| 10 | Traffic white | 7X (coloured) | RAL 9016 | 7 |
| 11 | Stainless-steel effect | 8X (painted) | Stainless-steel effect | 8 |
| 12 | Light ivory | AN (painted) | RAL 1015 | ON |
| 13 | Light brown | AM (painted) | F4 light brown | AM |
| 14 | Titanium colour | CL (painted) | Titanium colour | C |
| 15 | Anthracite grey | DP (painted) | RAL 7016 | DP |
| 16 | Sable Cougnaud | 9Q (painted) | Special colour | 9Q |

Handles

| Number | Colour | Description | Ending in SAP |
|--------|-----------------|-------------------------|---------------|
| 1 | Silver colour | F1 / EV1, silver | 11 |
| 2 | Champagne | F2 / EV2, nickel silver | 22 |
| 3 | Gold | F3, gold | 3 |
| 4 | Light brown | F4, light brown | A |
| 5 | Dark brown | Dark brown (RAL 8022) | 5 |
| 6 | White | White (RAL 9016) | 7 |
| 7 | Titanium colour | Titanium colour | C |

List of abbreviations



Sorting in alphabetical order

| Abbreviation | Description |
|--------------|---|
| AW | Arched window |
| AX | Axis |
| CC | Cover cap |
| CD | Corner-drive |
| CH | Corner-hinge |
| CL | Locked status |
| CLS | Central locking system |
| CONC | Concealed |
| CR | Cropping range |
| DIH | Drill-in hinge |
| DM | Backset |
| FF | Face-fixed |
| FHH | Fixed handle height |
| G | Handle height |
| GEAR | Drive-gear |
| GK | Fixed handle height (on drive-gears) |
| H. P. RCH | Higher positioned rebate corner-hinge |
| L | Left |
| LC-MA | Mushroom cam, automatically adjusting |
| LOG | Lever-operated gear |
| OL | Overlap (generally refers to the overlap width) |
| OLH | Overlap height |
| OLW | Overlap width |
| PC | Profile cylinder |
| PP | Positioning pin |
| PR | Pivot-rest |
| PU | Packaging unit |
| PW | Pitched window |
| R | Right |
| RC | Resistance class, see EN 1627 |
| RCH | Rebate corner-hinge |
| R4 | 4 mm radius |
| S | Striker |
| SA | Stay-arm |
| SB | Stay-bearing |
| SBP | Stay-bearing pin |
| Sec | Security hardware |
| SG | Stay-guide |
| SH | Stay-hinge |
| SRH | Sash rebate height |
| SRH GS | Sash rebate height on gear side with pitched window |
| SRH HS | Sash rebate height on the hinge-side |
| SRH RA | Sash rebate height up to start of arc |
| SRW | Sash rebate width |
| SRW P | Sash rebate width of pitched windows |
| ST | Sash thickness |
| SW | Sash weight |

Sorting in alphabetical order

| Abbreviation | Description |
|--------------|--|
| T&T | Tilt&Turn windows or balcony-doors |
| TBDK | Directive: Attachment of load-bearing components of Turn-Only and Tilt&Turn hardware |
| TF | Tilt-First window (inverse handle operating sequence) |
| TI-ON | Tilt-Only window |
| TU-ON | Turn-Only windows or balcony-doors |
| VHBE | Directive: Hardware for windows and balcony-doors, guidelines/advice for end-users |
| VHBH | Directive: Hardware for windows and balcony-doors, guidelines/advice on the product and on liability |
| VHH | Variable handle height |
| VHH | Variable handle height (on drive-gears) |
| W B | With (turn-restriction) brake |
| W/O B | Without (turn-restriction) brake |
| ZH | Lever-operated gear with riveted-on toggle lever |
| ZK | Lever-operated gear with loose toggle lever |

Installation drawings – central locking system



UNI-JET central locking system

| Drawing number | Description | System description | | | Max. sash weight | | |
|----------------|--------------------------|---|------------------------------|-----------------|------------------|--------------|--------|
| | | Clearance | Overlap | Groove position | | | |
| 0-44324-DD | UNI-JET general | Tilt&Turn sash/Tilt-First sash/ Turn-Only sash | Bottom-tilter | 12 | 18 20 22 | 9 13 | 150 kg |
| 0-44354-DC | UNI-JET M6/4 | Tilt&Turn sash/Tilt-First sash/ Turn-Only sash | Bottom-tilter | 4 | 15 18 20 | 8 9 13 | 130 kg |
| 0-44365-DC | UNI-JET M6/4 | Tilt&Turn sash/Turn-Only sash | Side-tilter | 4 | 15 18 20 | 8 9 13 | 130 kg |
| 0-46792-DC | UNI-JET M8/12 | Tilt&Turn sash/Tilt-First sash/ Turn-Only sash | Bottom-tilter | 12 | 18 20 | 9 13 | 200 kg |
| 0-44374-DD | UNI-JET general | Pitched window | Bottom-tilter | 12 | 18 20 22 | 9 13 | 100 kg |
| 0-44800-DC | UNI-JET M6/4 | Pitched window | Bottom-tilter | 4 | 15 18 20 | 8 9 13 | 100 kg |
| 0-47299-DD | UNI-JET D | Arched window/ basket-handle arch window | Bottom-tilter | 12 | 18 20 22 | 9 13 | 80 kg |
| 0-47301-DD | UNI-JET D | Segmental arched window | Bottom-tilter | 12 | 18 20 22 | 9 13 | 80 kg |
| 0-47303-DC | UNI-JET M6/12 | Arched window/ basket-handle arch window | Bottom-tilter | 12 | 18 20 | 9 13 | 80 kg |
| 0-47302-DC | UNI-JET M6/4 | Arched window/ basket-handle arch window | Bottom-tilter | 4 | 15 18 | 8 | 80 kg |
| 0-47300-DC | UNI-JET M6/12 | Segmental arched window | Bottom-tilter | 12 | 18 20 | 9 13 | 80 kg |
| 0-47291-DC | UNI-JET general | Arched window/ basket-handle arch window, 2-sashed | Bottom-tilter | 12 | 18 20 22 | 9 13 | 80 kg |
| 0-47636-DC | UNI-JET M6/12 general | Segmental arch window, 2-sashed | Bottom-tilter | 12 | 18 20 | 9 13 | 80 kg |
| 0-46684-DD | UNI-JET general | Tilt&Turn sash / Tilt-First sash | Additional stay | 12 | 18 20 22 | 9 13 | 150 kg |
| 0-47360-DD | UNI-JET SCF | Tilt&Turn sash/Tilt-First sash/ Turn-Only sash | Bottom-tilter | 12 | 18 20 22 | 9 13 | 160 kg |
| 0-46734-DP | UNI-JET CONTURA | Tilt&Turn sash/Tilt-First sash/ Turn-Only sash | with CONTURA centre-lock | 12 | 7 | 9 | 130 kg |
| 0-46913-DP | UNI-JET CONTURA | Tilt&Turn sash/Tilt-First sash/ Turn-Only sash | with standard centre-lock | 12 | 6 | 9 | 130 kg |

Installation drawings – face-fixed hinge-sides

UNI-JET D (PVC), UNI-JET M6/12, UNI-JET M6/150, UNI-JET M8/12



UNI-JET D hinge side

| Hinge-side | Drawing number | Description of drawing | System description | | | Max. sash weight |
|------------|----------------|---|--------------------|----------------|-----------------|------------------|
| | | | Clearance | Overlap | Groove position | |
| D | 0-46603-DD | Tilt&Turn sash/Tilt-First sash/ Turn-Only sash | 12 | 18 20 22 | 9 13 | 100 kg |
| D | 0-46738-DD | Tilt&Turn sash/Tilt-First sash/ Turn-Only sash | 12 | 18 20 22 | 9 13 | 150 kg |
| D | 0-46732-YP | Tilt&Turn sash/Tilt-First sash/ Turn-Only sash Higher positioned rebate corner-hinge | 12 | 18 20 22 | 9 13 | 130 kg |
| D | 0-46645-DD | Tilt&Turn sash/Tilt-First sash/ Turn-Only sash | 12 | 18 20 22 | 26 | 80 kg |
| D | 0-46795-DD | Tilt-Only sash | 12 | 18 20 22 | 9 13 | 80 kg |
| D | 0-46742-DD | Pitched window | 12 | 18 20 22 | 9 13 | 100 kg |
| D | 0-47637-DD | Arched window | 12 | 18 20 22 | 9 13 | 80 kg |

UNI-JET M6/12 hinge-side

| Hinge-side | Drawing number | Description of drawing | System description | | | Max. sash weight |
|------------|----------------|--|--------------------|----------|-----------------|------------------|
| | | | Clearance | Overlap | Groove position | |
| M6/12 | 0-46605-DC | Tilt&Turn sash/Tilt-First sash/ Turn-Only sash | 12 | 18 20 | 9 13 | 130 kg |
| M6/12 | 0-46731-DC | Tilt&Turn sash/Tilt-First sash/ Turn-Only sash Higher positioned rebate corner-hinge | 12 | 18 20 | 9 13 | 130 kg |
| M6/12 | 0-46794-DC | Tilt-Only sash | 12 | 18 20 | 9 13 | 80 kg |
| M6/12 | 0-46743-DC | Pitched window | 12 | 18 20 | 9 13 | 100 kg |
| M6/12 | 0-47638-DC | Arched window | 12 | 18 20 | 9 13 | 80 kg |
| M6/12 | 0-46646-DC | Tilt&Turn sash/Tilt-First sash/ Turn-Only sash (for doors with 7 mm rebate clearance at the bottom) | 7 | 18 20 | 9 13 | 130 kg |

UNI-JET M6/150 hinge-side

| Hinge-side | Drawing number | Description of drawing | System description | | | Max. sash weight |
|------------|----------------|--|--------------------|----------|-----------------|------------------|
| | | | Clearance | Overlap | Groove position | |
| M6/150 | 0-47272-DC | Tilt&Turn sash/Tilt-First sash/ Turn-Only sash | 12 | 18 20 | 9 13 | 150 kg |

UNI-JET M8/12 hinge-side

| Hinge-side | Drawing number | Description of drawing | System description | | | Max. sash weight |
|------------|----------------|---|--------------------|----------|-----------------|------------------|
| | | | Clearance | Overlap | Groove position | |
| M8/12 | 0-45984-DC | Tilt&Turn sash/Tilt-First sash/ Turn-Only sash | 12 | 18 20 | 9 13 | 200 kg |
| M8/12 | 0-46895-DC | Tilt&Turn sash/Tilt-First sash/ Turn-Only sash with GU system threshold | 12 | 18 20 | 9 13 | 200 kg |
| M8/12 | 0-46909-DC | Instructions on how to remove the M8/12 top stay-bearing pin | 12 | 18 20 | 9 13 | 200 kg |

Installation drawings – face-fixed hinge-sides

UNI-JET M20/12, UNI-JET M6/4, UNI-JET S, UNI-JET C, UNI-JET D (Aluminium)



UNI-JET M20/12 hinge-side

| Hinge-side | Drawing number | Description of drawing | System description | | | Max. sash weight |
|------------|----------------|---|--------------------|----------|-----------------|------------------|
| | | | Clearance | Overlap | Groove position | |
| M20/12 | 0-44352-DC | Tilt&Turn sash/Tilt-First sash/Turn-Only sash | 12 | 18 20 | 9 | 130 kg |
| M20/12 | 0-44494-DC | Pitched window | 12 | 18 20 | 9 | 100 kg |
| M20/12 | 0-45928-DC | Arched window | 12 | 18 20 | 9 | 80 kg |

UNI-JET M6/4 hinge-side

| Hinge-side | Drawing number | Description of drawing | System description | | | Max. sash weight |
|------------|----------------|---|--------------------|----------|-----------------|------------------|
| | | | Clearance | Overlap | Groove position | |
| M6/4 | 0-46733-DC | Tilt&Turn sash/Tilt-First sash/Turn-Only sash | 4 | 15 18 | 8 13 | 130 kg |
| M6/4i | 0-46733-DC | Tilt&Turn sash/Tilt-First sash/Turn-Only sash Hardware installation on individual profile pieces | 4 | 15 18 | 8 13 | 130 kg |
| M6/4 | 0-46744-DC | Pitched window | 4 | 15 18 | 8 13 | 100 kg |
| M6/4 | 0-47639-DC | Arched window | 4 12 | 18 | 8 9 | 80 kg |

UNI-JET S hinge-side

| Hinge-side | Drawing number | Description of drawing | System description | | | Max. sash weight |
|------------|----------------|---|--------------------|----------|-----------------|------------------|
| | | | Clearance | Overlap | Groove position | |
| S | 0-46604-DD | Tilt&Turn sash/Tilt-First sash/Turn-Only sash | 12 | 18 20 | 9 13 | 130 kg |
| S | 0-46742-DD | Pitched window | 12 | 18 20 | 9 13 | 100 kg |
| S | 0-47637-DD | Arched window | 12 | 18 20 | 9 13 | 80 kg |

UNI-JET C hinge side

| Hinge-side | Drawing number | Description of drawing | System description | | | Max. sash weight |
|------------|----------------|---|--------------------|----------|-----------------|------------------|
| | | | Clearance | Overlap | Groove position | |
| C | 0-44708-DL | Tilt&Turn sash/Tilt-First sash/Turn-Only sash | 12 | 18 20 | 9 13 | 130 kg |
| C | 0-46928-DL | Tilt-Only sash | 12 | 18 20 | 9 13 | 100 kg |

UNI-JET D hinge side

| Hinge-side | Drawing number | Description of drawing | System description | | | Max. sash weight |
|------------|----------------|---|--------------------|----------------|-----------------|------------------|
| | | | Clearance | Overlap | Groove position | |
| D | 0-46741-DD | Tilt&Turn sash/Tilt-First sash/Turn-Only sash | 12 | 18 20 22 | 9 13 | 100 kg |

Installation drawings – concealed hinge-sides

UNI-JET SCF, UNI-JET CONTURA, UNI-JET CC



UNI-JET SCF hinge side

| Hinge-side | Drawing number | Description of drawing | System description | | | Max. sash weight |
|----------------|----------------|--|--------------------|----------------|-----------------|------------------|
| | | | Clearance | Overlap | Groove position | |
| SCF PVC | 0-47107-DD | Tilt&Turn sash/Tilt-First sash/Turn-Only sash | 12 | 18 20 22 | 9 13 | 130 kg |
| SCF Timber | 0-47106-DC | Tilt&Turn sash/Tilt-First sash/Turn-Only sash | 12 | 18 20 | 9 13 | 130 kg |
| SCF Timber PVC | 0-47362-DC | Tilt-Only sash | 12 | 18 20 22 | 9 13 | 80 kg |
| SCF Timber PVC | 0-47361-DD | Top hung sash | 12 | 18 20 22 | 9 13 | 80 kg |
| SCF Timber PVC | 0-47363-DQ | Turn-Only hardware for middle sash at a 3-sash element | 12 | 18 20 22 | 9 13 | 80 kg |
| SCF Timber PVC | 0-47426 | Load-absorption set for 100 kg up to 160 kg | 12 | 18 20 22 | 9 13 | 160 kg |
| SCF Timber PVC | 0-47493 | Installation instructions for load-absorption set | | | | |
| SCF Timber PVC | 0-47477-DQ | Tilt&Turn sash/Turn-Only sash Instructions on how to hinge and unhinge the sash | | | | |
| SCF PVC | 0-47357-DD | Fixing of pivot-rest and stay-arm hardware in profile-specific PVC systems | | | | |
| SCF PVC | 0-45791-DD | Reworking of threshold-to-mullion connector and packer | | | | |
| SCF PVC | 0-47604-YP | Tilt&Turn sash/Turn-Only sash with Veka threshold | | | | |

UNI-JET CONTURA hinge-side

| Hinge-side | Drawing number | Description of drawing | System description | | | Max. sash weight |
|------------|----------------|---|--------------------|---------|-----------------|------------------|
| | | | Clearance | Overlap | Groove position | |
| CONTURA | 0-46739-DP | Tilt&Turn sash/Tilt-First sash/Turn-Only sash | 12 | 7 | 9 | 130 kg |

UNI-JET CC hinge-side

| Hinge-side | Drawing number | Description of drawing | System description | | | Max. sash weight |
|------------|----------------|---|--------------------|----------|-----------------|------------------|
| | | | Clearance | Overlap | Groove position | |
| CC | 0-45815-DL | Tilt&Turn sash/Tilt-First sash/Turn-Only sash | 12 | 18 20 | 9 13 | 130 kg |

Further installation drawings

Dummy-mullion sash with lever-operated gear, large backset drive-gear



Dummy-mullion sash with lever-operated gear

| Drawing number | Description of drawing | System description | | | Remark |
|----------------|---|--------------------|----------------|-----------------|--|
| | | Clearance | Overlap | Groove position | |
| 0-44483-DJ | Dummy-mullion sash with lever-operated gear (ZH+ZK) PVC windows | 12 | 18 20 22 | 9 13 | For opposing 16 mm hardware groove, in conjunction with T&T drive-gear with fixed OR variable handle height. Maximum sash weight according to chosen hinge-side. |
| 0-44348-DJ | Dummy-mullion sash with lever-operated gear (ZH) PVC and timber windows | 12 | 18 20 22 | 9 13 | For opposing 16 mm hardware groove, in conjunction with T&T drive-gear with fixed OR variable handle height. Maximum sash weight according to chosen hinge-side. |
| 0-45086-DD | Dummy-mullion sash with lever-operated gear (ZH) Larger backset drive-gear PVC and timber windows | 12 | 18 20 22 | 9 13 | For opposing 16 mm hardware groove, in conjunction with T&T drive-gear with fixed OR variable handle height. Maximum sash weight according to chosen hinge-side. |
| 0-45083-DD | Dummy-mullion sash with lever-operated gear (ZH) Automatic hardware installation PVC windows | 12 | 18 20 22 | 9 13 | For opposing 16 mm hardware groove, in conjunction with T&T drive-gear with fixed OR variable handle height. Maximum sash weight according to chosen hinge-side. |
| 0-44389-DJ | Dummy-mullion sash with lever-operated gear (Euro-groove 7/8) Timber windows | 4 12 | 15 18 20 | 8 9 13 | For opposing 7/8 Euro-groove, in conjunction with T&T drive-gear with fixed OR variable handle height. Maximum sash weight according to chosen hinge-side. |
| 0-45087-DD | Dummy-mullion sash with D30 drive-gear (2-sashed with 2 handles) PVC and timber windows | 4 12 | 15 18 20 | 8 9 13 | For opposing 16 mm hardware groove, in conjunction with T&T drive-gear with fixed handle height. Maximum sash weight according to chosen hinge-side. |
| 0-44446-DJ | Dummy-mullion sash with lever-operated gear (ZH) with shoot-bolt PVC and timber windows | 12 | 18 20 22 | 9 13 | For opposing 16 mm hardware groove, in conjunction with T&T drive-gear with fixed handle height. Maximum sash weight according to chosen hinge-side. |

Large backset drive-gears (standard and PC-lockable)

| Drawing number | Description of drawing | System description | | | Remark |
|----------------|--|--------------------|----------------|-----------------|--|
| | | Clearance | Overlap | Groove position | |
| 0-44456-DA | Larger backset drive-gear – backset 25–50 PVC windows | 12 | 18 20 22 | 9 13 | Drive-gear available with fixed and centred / variable handle height, standard and PC-lockable |
| 0-44481-DA | Larger backset drive-gear – backset 25–50 Timber windows | 12 | 18 20 22 | 9 13 | Drive-gear available with fixed and centred / variable handle height, standard and PC-lockable |
| 0-44482-DA | Larger backset drive-gear with round cylinder – backset 25–50 Timber windows | 12 | 18 20 22 | 9 13 | Drive-gear available with fixed and centred / variable handle height, standard and RC-lockable |

Further installation drawings

Backset reducing gear (minus 5), locking monitoring system, T&T thresholds, miscellaneous



Backset reducing gear (minus 5)

| Drawing number | Description of drawing |
|----------------|--|
| 0-44764-DA | Backset reducing gear (minus 5) for 2-sashed window with overlap profile, overlap height 15/18/20 mm, axis 9/13 mm |

Locking monitoring system for alarm installations

| Drawing number | Description of drawing |
|----------------|---|
| 0-43463-DB | GU locking monitoring system for alarm installations, class B (T&T and T&S) |
| 0-44851-DB | GU locking monitoring system for alarm installations, class C (T&T) |
| 0-44518-DB | GU locking monitoring system with changeover contact (T&T and T&S) |

GU system thresholds

| Drawing number | Description of drawing |
|----------------|---|
| 0-45660-YP | PVC GU system threshold and accessories |
| 0-46765-YP | PVC GU system threshold Frame with counter profiling |
| 0-46732-YP | PVC GU system threshold with UNI-JET D hardware installation for higher positioned rebate corner-hinge 10 mm clearance at horizontal bottom |
| 0-47448-YP | PVC GU system threshold with UNI-JET SCF hardware installation 10 mm clearance at horizontal bottom |
| 0-47042-YP | Timber GU system threshold AD (impact gasket) and accessories |
| 0-47043-YP | Timber GU system threshold MD (central gasket) and accessories |
| 0-46764-YP | Timber GU system threshold Frame with counter profiling |
| 0-46731-DC | Timber GU system threshold with UNI-JET M6/12 hardware installation for higher positioned rebate corner-hinge |
| 0-46895-DC | Timber GU system threshold with UNI-JET M8/12 hardware installation |
| 0-47364-YP | Timber GU system threshold with UNI-JET SCF hardware installation 10 mm clearance at horizontal bottom |

Miscellaneous

| Drawing number | Description of drawing |
|----------------|--|
| 0-45838-DD | PVC/timber Corner-drive with night ventilation feature |
| 0-44316-DO | Timber UNI-JET Turn-Only hardware for middle sash at 3-sashed elements 4 mm clearance |
| 0-44056-DO | Timber UNI-JET Turn-Only hardware for middle sash at 3-sashed elements 12 mm clearance |
| 0-45884-DC | Timber Turn blocker, concealed 4 mm and 12 mm horizontal clearance |
| 0-38548-DF | Timber Turn blocker, concealed 4 mm and 12 mm vertical clearance |
| 0-43471-NE | Timber EGO-B and EGO-FL window friction stays |
| 0-35140-NE | Timber EGO-F 20 window friction stays |
| 0-45986-DC | PVC / Timber / Aluminium Hardware situation for smallest possible sash formats |

Further installation drawings

RC2, RC3, operating and maintenance instructions



RC2 PVC

| Drawing number | Description of drawing | | |
|----------------|---|---|---------------|
| 0-44908-DD | UNI-JET central locking system, general | Tilt&Turn sash/Tilt-First sash/Turn-Only sash | Bottom-tilter |
| 0-47476-DD | UNI-JET SCF central locking system | Tilt&Turn sash/Tilt-First sash/Turn-Only sash | |

RC2 timber

| Drawing number | Description of drawing | | |
|----------------|---|---|---------------|
| 0-44917-DC | UNI-JET central locking system, general | Tilt&Turn sash/Tilt-First sash/Turn-Only sash | Bottom-tilter |
| 0-47476-DD | UNI-JET SCF central locking system | Tilt&Turn sash/Tilt-First sash/Turn-Only sash | |

General RC2 drawings

| Drawing number | Description of drawing | | |
|----------------|---|---------------------------------------|---------------|
| 0-44971-DD | UNI-JET lever-operated locking system | for 2-sashed timber and PVC windows | |
| 0-45134-DD | Pitched window | for 1-sashed timber and PVC windows | |
| 0-47298-DD | Arched window/basket-handle arch window | for 1-sashed timber and PVC windows | Bottom-tilter |
| 0-47292-DD | Arched window/basket-handle arch window | for 2-sashed timber and PVC windows | Bottom-tilter |
| 0-44966-DD | Installing the additional stay | for PVC, timber and aluminium windows | |

RC3 timber

| Drawing number | Description of drawing |
|----------------|--|
| 0-44833-DD | UNI-JET M6/12, M20/12, UNI-JET S security hardware |

Operating and maintenance instructions

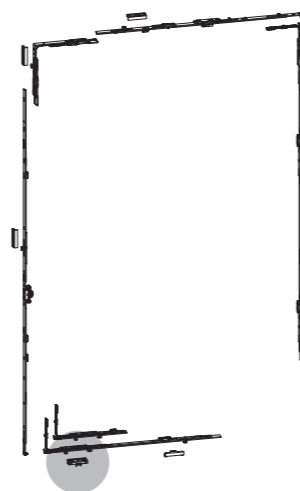
| Drawing number | Description of drawing |
|----------------|--|
| 0-47284-DD | UNI-JET D, UNI-JET M, UNI-JET S – Tilt&Turn hardware |
| 0-47447-DD | UNI-JET SCF – Tilt&Turn hardware |
| 0-45166-DP | UNI-JET CONTURA – Tilt&Turn hardware |
| 0-45249-DP | UNI-JET CONTURA – Tilt-First hardware |

UNI-JET burglar inhibition

UNI-JET central locking system

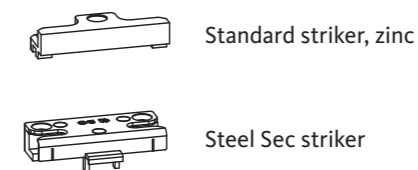


UNI-JET central locking system, "basic security"



"Basic security" version for 1- and 2-sashed elements

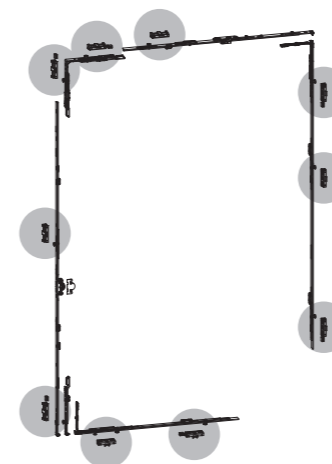
- 1 Steel security striker for
 - tilt function
 - standard security for UNI-JET central locking system All further central locking points are provided with standard strikers of zinc



Basic security

The UNI-JET central locking system is generally designed for "basic security". With all opening types, a Sec mushroom cam striker of steel is mounted horizontally at the bottom near the drive-gear side. This improves burglar inhibition in this particularly vulnerable area.

UNI-JET central locking system up to RC2 in accordance with EN 1627–1630



RC2 equipment for 1 and 2-sashed elements

- Security mushroom cam strikers made of steel for
 - tilt function
 - "RC2" security according to EN 1627. All central locking points are provided with security mushroom cam strikers made of steel.



Burglar-inhibiting windows to EN 1627–1630

UNI-JET Tilt&Turn and Turn-Only hardware suitable for installation in burglar-inhibiting windows in accordance with EN 1627 – burglar resistance class RC2 – is provided in the order catalogue with the reference "RC2".

A test in accordance with EN 1627–1630 evaluates the burglar-inhibiting effect of the complete window system (including window installation).

The component "burglar-inhibiting hardware" is therefore important but is not alone sufficient for achieving compliance with DIN EN 1627 during a window test.

The GU seminars and system files "Burglar-inhibiting windows and balcony-doors according to DIN EN 1627–1630" provide important information in this regard.

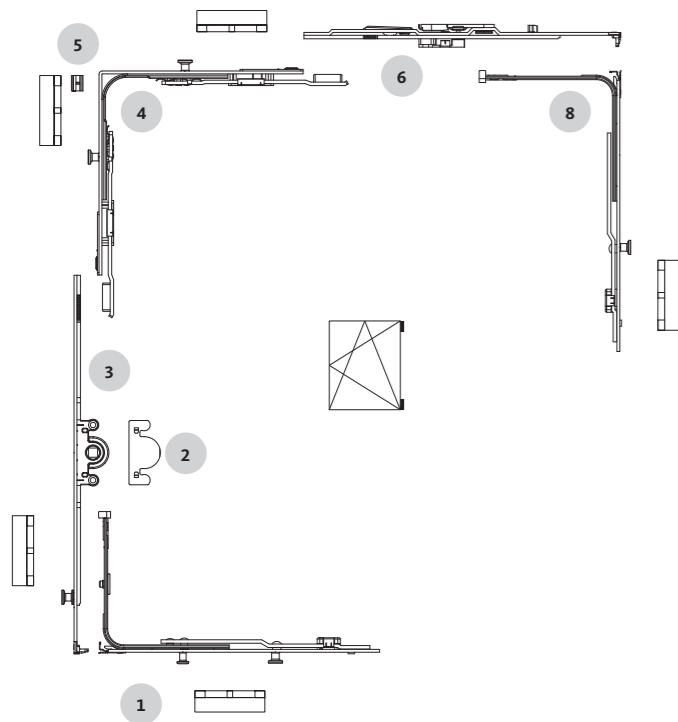
UNI-JET burglar inhibition

Overview of hardware up to test category RC2 PVC, 1-sashed



Example of RC2 hardware design

Tilt&Turn / Tilt-First sash – SRW 400 mm / SRH 450 mm



| Item | Description | Order number |
|------|---------------------------|----------------|
| 1 | T&T centre-lock 215 | 6-32012-00-0-1 |
| 2 | Anti-drill plate | 9-41749-00-0-0 |
| 3 | FHH Sec drive-gear, 15 BS | 6-33218-00-0-1 |
| 4 | Corner-drive | 6-31753-00-0-1 |
| 5 | Clearance packer | 9-43219-00-0-1 |
| 6 | Stay-guide | 6-31512-03-0-1 |
| 8 | Sec centre-lock 215 | 6-32010-00-0-1 |

Profile-specific Sec strikers (steel)
 ■ for PVC systems refer to table from page 257

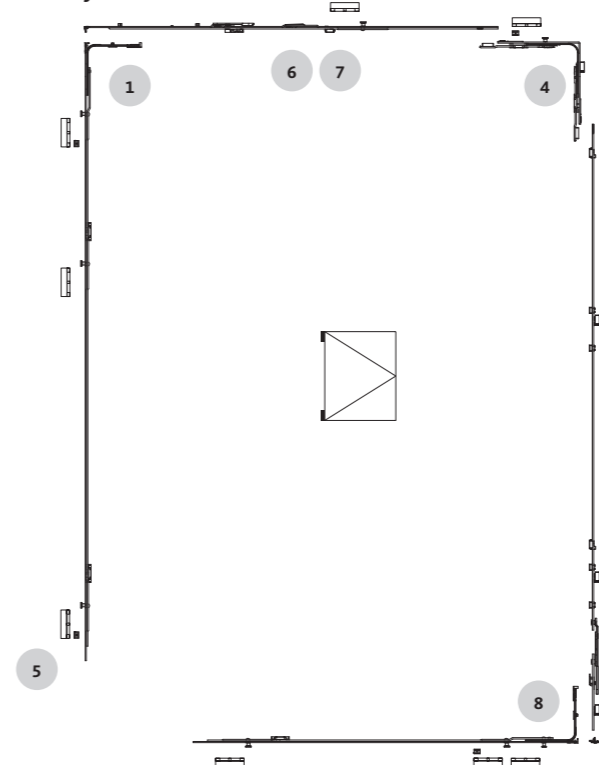
UNI-JET burglar inhibition

Overview of hardware up to test category RC2 PVC, 2-sashed

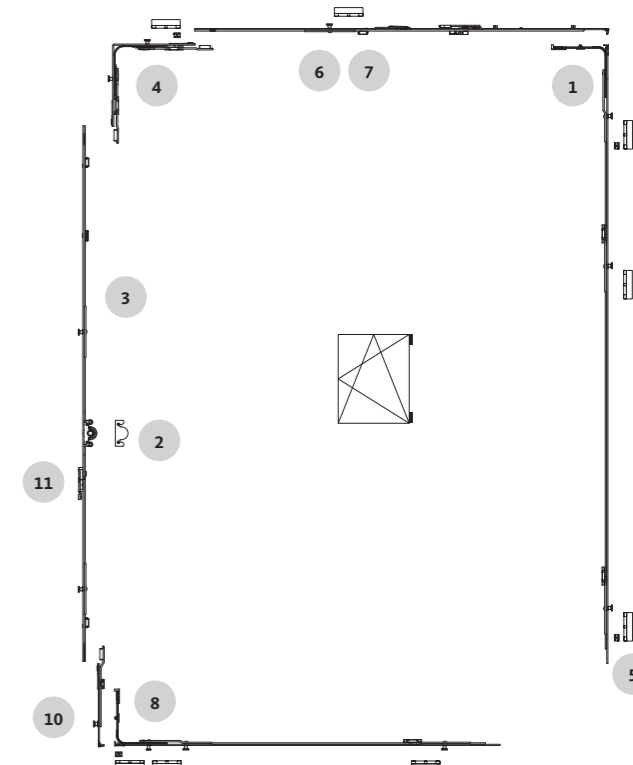


Example of RC2 hardware design

Turn-Only sash – SRW 951 mm / SRH 1351 mm

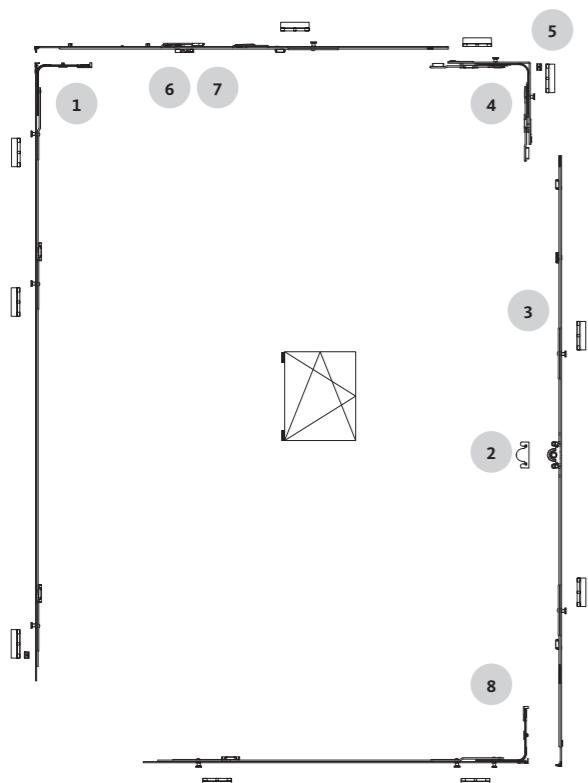


Tilt&Turn / Tilt-First sash – SRW 951 mm / SRH 1351 mm



Example of RC2 hardware design

Tilt&Turn / Tilt-First sash – SRW 951 mm / SRH 1351 mm



| Item | Description | Order number |
|------|---------------------------|----------------|
| 1 | Sec centre-lock 1190 | 6-32008-12-0-1 |
| 2 | Anti-drill plate | 9-41749-00-0-0 |
| 3 | FHH Sec drive-gear, 15 BS | G-22127-00-0-1 |
| 4 | Corner-drive | 6-31753-00-0-1 |
| 5 | Clearance packer | 9-43219-00-0-1 |
| 6 | Stay-guide | 6-31512-10-0-1 |
| 7 | UNI-JET SCF stay-guide | 6-39074-10-0-1 |
| 8 | T&T centre-lock 740 | 6-32076-07-0-1 |

Profile-specific Sec strikers (steel)
 ■ for PVC systems refer to table from page 257

Turn-Only sash

| Item | Description | Order number |
|------|--|----------------|
| 1 | T&T centre-lock 1190 | 6-32008-12-0-1 |
| 4 | Corner-drive | G-22492-00-0-1 |
| 5 | Clearance packer | 9-43219-00-0-1 |
| 6 | Stay-guide | 6-31512-10-0-1 |
| 7 | UNI-JET SCF stay-guide | 6-39074-10-0-1 |
| 8 | T&T centre-lock 740 | 6-32076-07-0-1 |
| 9 | Security clasp set for lever-operated gear | K-17080-00-0-1 |

Profile-specific Sec strikers (steel)
 ■ for PVC systems refer to table from page 257

Tilt&Turn sash

| Item | Description | Order number |
|------|---------------------------|----------------|
| 1 | Sec centre-lock 1190 | 6-32008-12-0-0 |
| 2 | Anti-drill plate | 9-41749-00-0-0 |
| 3 | FHH Sec drive-gear, 15 BS | G-22127-00-0-0 |
| 4 | Corner-drive | 6-31753-00-0-0 |
| 5 | Clearance packer | 9-43219-00-0-0 |
| 6 | Stay-guide | 6-31512-10-0-0 |
| 7 | UNI-JET SCF stay-guide | 6-39074-10-0-1 |
| 8 | T&T centre-lock 740 | 6-32076-07-0-0 |
| 10 | Sec gear connector | 6-33205-00-0-0 |
| 11 | Sash lifter | 6-29987-00-0-0 |

Profile-specific Sec strikers (steel)
 ■ for PVC systems refer to table from page 257

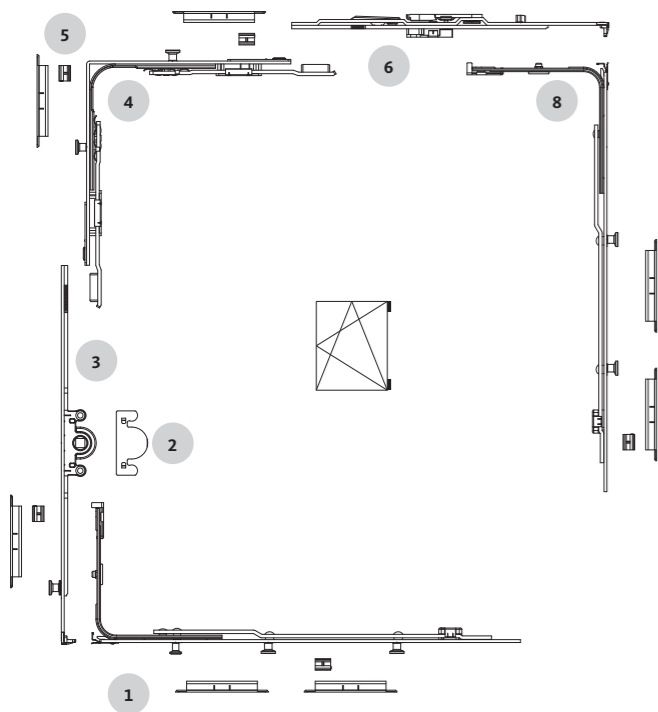
UNI-JET burglar inhibition

Overview of hardware up to test category RC2 timber/aluminium, 1-sashed



Example of RC2 hardware design

Tilt&Turn / Tilt-First sash – SRW 400 mm / SRH 450 mm



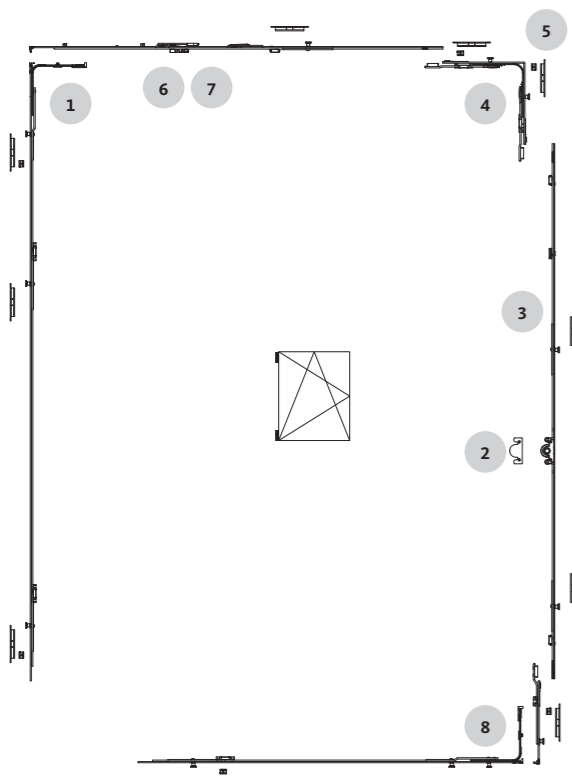
| Item | Description | Order number |
|------|---------------------------|----------------|
| 1 | T&T centre-lock 330 | 6-32076-03-0-1 |
| 2 | Anti-drill plate | 9-41749-00-0-0 |
| 3 | FHH Sec drive-gear, 15 BS | 6-33218-00-0-1 |
| 4 | Corner-drive | 6-31753-00-0-1 |
| 5 | Clearance packer | 9-43219-00-0-1 |
| 6 | Stay-guide | 6-31512-03-0-1 |
| 8 | Sec centre-lock 330 | 6-32008-03-0-1 |

Profile-specific Sec strikers (steel)

- for timber systems refer to table from page 413
- for aluminium systems refer to table from page 478

Example of RC2 hardware design

Tilt&Turn / Tilt-First sash – SRW 951 mm / SRH 1351 mm



| Item | Description | Order number |
|------|---------------------------|----------------|
| 1 | Sec centre-lock 1190 | 6-32008-12-0-1 |
| 2 | Anti-drill plate | 9-41749-00-0-0 |
| 3 | FHH Sec drive-gear, 15 BS | G-22127-00-0-1 |
| 4 | Corner-drive | 6-31753-00-0-1 |
| 5 | Clearance packer | 9-43219-00-0-1 |
| 6 | Stay-guide | 6-31512-10-0-1 |
| 7 | UNI-JET SCF stay-guide | 6-39074-10-0-1 |
| 8 | T&T centre-lock 740 | 6-32076-07-0-1 |
| 8 | Sec gear connector | 6-33205-00-0-1 |

Profile-specific Sec strikers (steel)

- for timber systems refer to table from page 413
- for aluminium systems refer to table from page 478

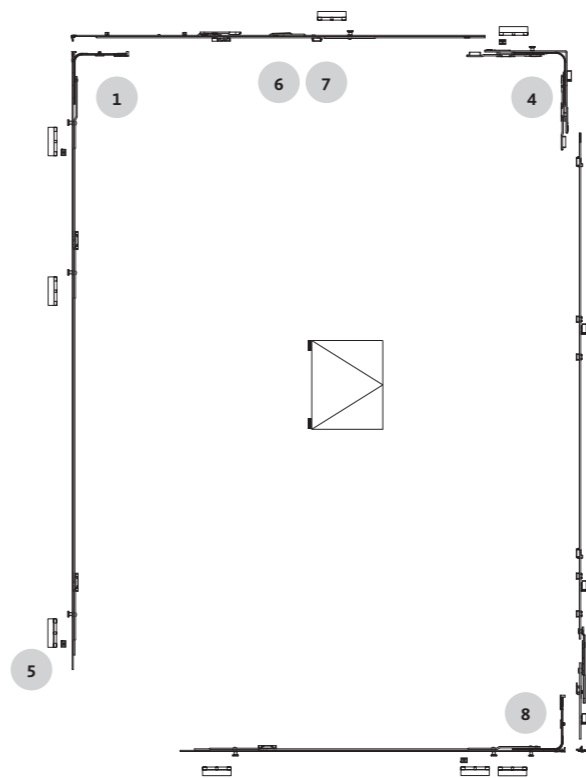
UNI-JET burglar inhibition

Overview of hardware up to test category RC2 timber/aluminium, 2-sashed



Example of RC2 hardware design

Turn-Only sash – SRW 951 mm / SRH 1351 mm



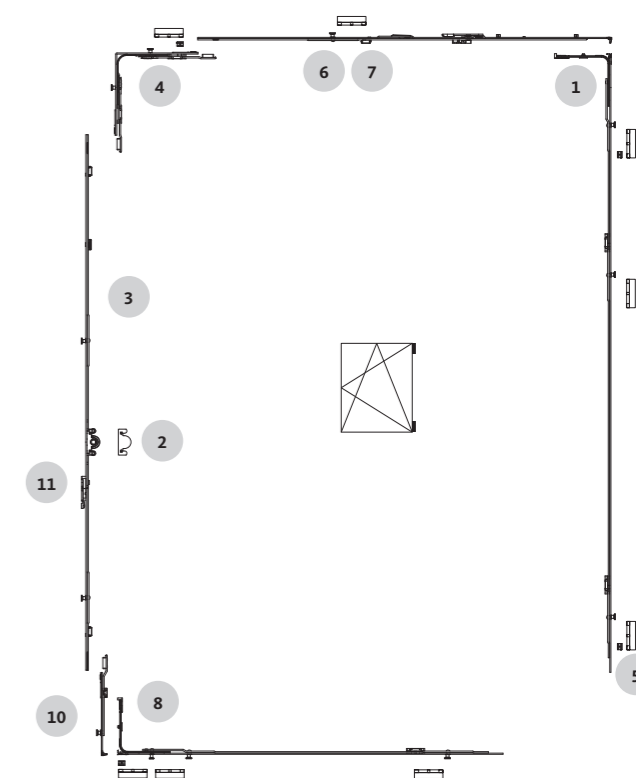
Turn-Only sash

| Item | Description | Order number |
|------|--|----------------|
| 1 | T&T centre-lock 1190 | 6-32008-12-0-1 |
| 4 | Corner-drive | G-22492-00-0-1 |
| 5 | Clearance packer | 9-43219-00-0-1 |
| 6 | Stay-guide | 6-31512-10-0-1 |
| 7 | UNI-JET SCF stay-guide | 6-39074-10-0-1 |
| 8 | T&T centre-lock 740 | 6-32076-07-0-1 |
| 9 | Security clasp set for lever-operated gear | K-17080-00-0-1 |

Profile-specific Sec strikers (steel)

- for timber systems refer to table from page 413
- for aluminium systems refer to table from page 478

Tilt&Turn / Tilt-First sash – SRW 951 mm / SRH 1351 mm



Tilt&Turn sash

| Item | Description | Order number |
|------|---------------------------|----------------|
| 1 | Sec centre-lock 1190 | 6-32008-12-0-1 |
| 2 | Anti-drill plate | 9-41749-00-0-0 |
| 3 | FHH Sec drive-gear, 15 BS | G-22127-00-0-1 |
| 4 | Corner-drive | 6-31753-00-0-1 |
| 5 | Clearance packer | 9-43219-00-0-1 |
| 6 | Stay-guide | 6-31512-10-0-1 |
| 7 | UNI-JET SCF stay-guide | 6-39074-10-0-1 |
| 8 | T&T centre-lock 740 | 6-32076-07-0-1 |
| 10 | Sec gear connector | 6-33205-00-0-1 |
| 11 | Sash lifter | 6-29987-00-0-1 |

Profile-specific Sec strikers (steel)

- for timber systems refer to table from page 413
- for aluminium systems refer to table from page 478

Application diagram UNI-JET D

Turn-Only / Tilt&Turn sash – drawing no. 0-46984



Prerequisites for using the application diagram:

- Verifications regarding the attachment of load-bearing components to the window system by the window fabricator according to TBDK with the following forces:

- 2200 N at the stay-bearing
- 2310 N at the pivot-rest

Attention

The maximum sash weight of 80 kg is only permitted in certain areas of the application diagram.

Only sash formats to the left of the respective glass weight graph are permissible.

format not permitted

Reading examples

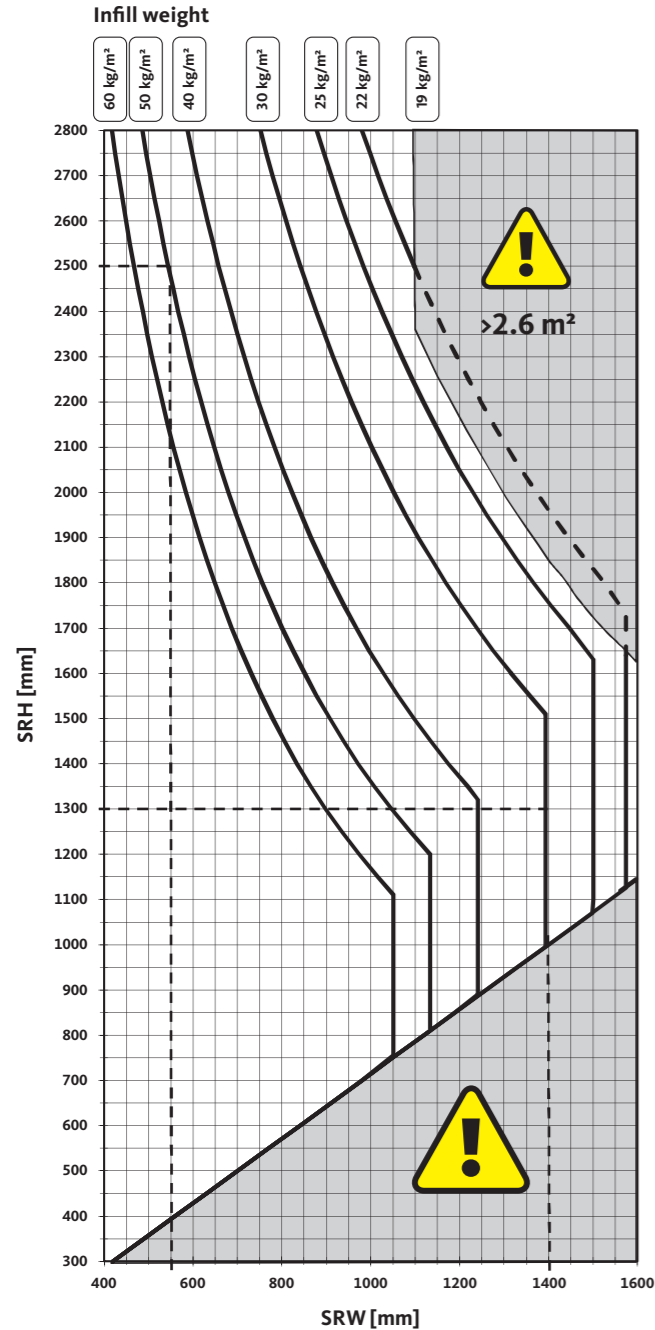
- Infill weight = 50 kg/m²**
With SRW = 550 mm, the SRH max. = 2500 mm, which corresponds to a maximum sash weight of 80 kg.
- Infill weight = 30 kg/m²**
With an SRW = 1300 mm, the max. SRH = 1400 mm, which corresponds to a maximum sash weight of 67 kg.

This application diagram is only valid in conjunction with the appropriate installation drawing 0-46603-DD.

For notes on intended use, see 0-46789.

Test and calculation basis

- Tilt&Turn test according to QM 328 or RAL GZ 607/3 Appendix 2:
 - 15,000 Tilt&Turn cycles
 - 10,000 Turn-Only cycles
- Test format:
 - SRW 1300 x SRH 1200 : 80 kg



Application diagram UNI-JET D

Turn-Only / Tilt&Turn sash – drawing no. 0-45558



Prerequisites for using the application diagram:

- Verifications regarding the attachment of load-bearing components to the window system by the window fabricator according to TBDK with the following forces:

- 2710 N at the stay-bearing
- 2890 N at the pivot-rest

- Glass reduction GR ≥ 28 mm
- Profile weight PW ≤ 3.25 kg/m

Attention

The maximum sash weight of 100 kg is only permitted in certain areas of the application diagram.

Only sash formats to the left of the respective glass weight graph are permissible.

format not permitted

Reading examples

- Infill weight = 50 kg/m²**
With SRW = 650 mm, the SRH max. = 2700 mm, which corresponds to a maximum sash weight of 100 kg.
- Infill weight = 40 kg/m²**
With an SRW = 1300 mm, the max. SRH = 1400 mm, which corresponds to a maximum sash weight of 73 kg.

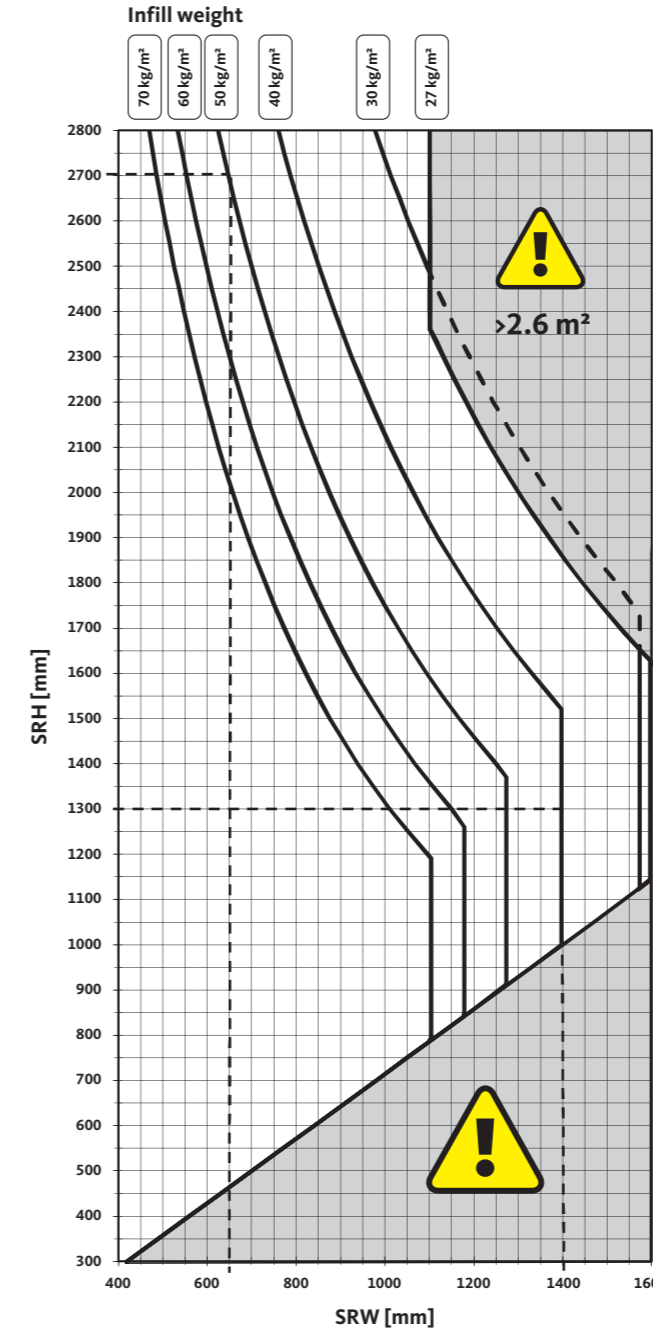
This application diagram is only valid in conjunction with the corresponding installation drawings.

- 0-46603-DD = UNI-JET D for PVC profiles
- 0-46741-DD = UNI-JET D for aluminium profiles

For notes on intended use, see 0-46789.

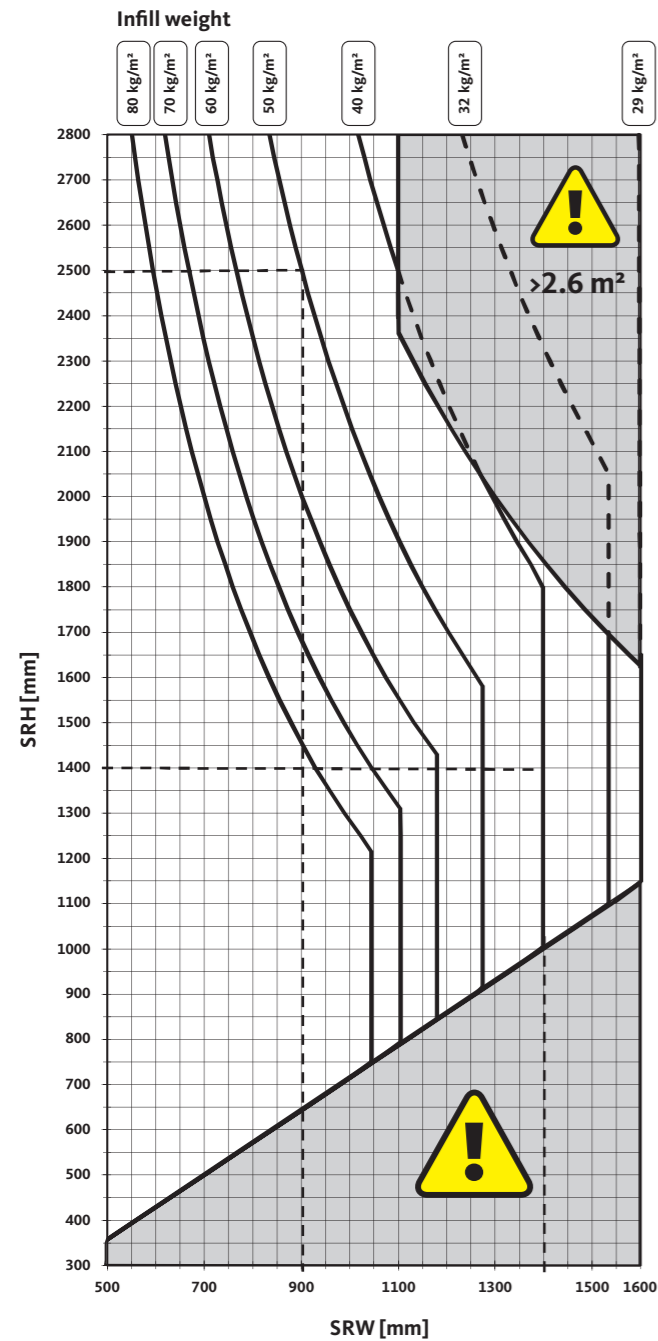
Test and calculation basis

- Tilt&Turn test according to QM 328 or RAL GZ 607/3 Appendix 2:
 - 15,000 Tilt&Turn cycles
 - 10,000 Turn-Only cycles
- Test format:
 - SRW 1300 x SRH 1200 : 100 kg



Application diagram UNI-JET D

Turn-Only / Tilt&Turn sash – drawing no. 0-46985



Prerequisites for using the application diagram:

- Verifications regarding the attachment of load-bearing components to the window system by the window fabricator according to TBDK with the following forces:
 - 3525 N at the stay-bearing
 - 3760 N at the pivot-rest
- Glass reduction GR ≥ 28 mm
- Profile weight PW ≤ 3.25 kg/m

Attention

The maximum sash weight of 130 kg is only permitted in certain areas of the application diagram.

Only sash formats to the left of the respective glass weight graph are permissible.

format not permitted

Reading examples

- Infill weight = 50 kg/m²**
With SRW = 900 mm, the SRH max. = 2500 mm, which corresponds to a maximum sash weight of 125 kg.
- Infill weight = 50 kg/m²**
With an SRW = 1400 mm, the max. SRH = 1400 mm, which corresponds to a maximum sash weight of 90 kg.

This application diagram is only valid in conjunction with the corresponding installation drawing 0-46738-DD.

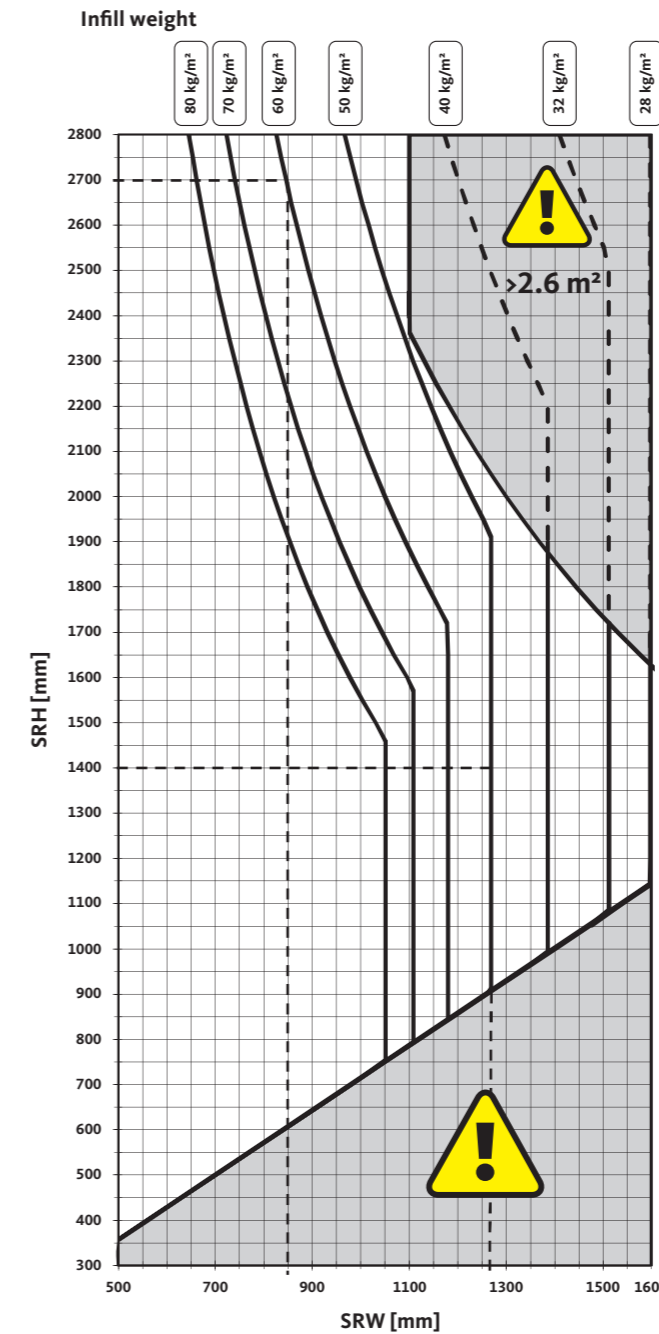
For notes on intended use, see 0-46789.

Test and calculation basis

- Tilt&Turn test according to QM 328 or RAL GZ 607/3 Appendix 2:
 - 15,000 Tilt&Turn cycles
 - 10,000 Turn-Only cycles
- Test formats:
 - SRW 900 x SRH 2300 : 130 kg
 - SRW 1300 x SRH 1200 : 100 kg

Application diagram UNI-JET D

Turn-Only / Tilt&Turn sash – drawing no. 0-46735



Prerequisites for using the application diagram:

- Verifications regarding the attachment of load-bearing components to the window system by the window fabricator according to TBDK with the following forces:
 - 4200 N at the stay-bearing
 - 4340 N at the pivot-rest
- Glass reduction GR ≥ 40 mm
- Profile weight PW ≤ 4 kg/m

Attention

The maximum sash weight of 150 kg is only permitted in certain areas of the application diagram.

Only sash formats to the left of the respective glass weight graph are permissible.

format not permitted

Reading examples

- Infill weight = 60 kg/m²**
With SRW = 850 mm, the SRH max. = 2700 mm, which corresponds to a maximum sash weight of 148 kg.
- Infill weight = 50 kg/m²**
With an SRW = 1400 mm, the max. SRH = 1270 mm, which corresponds to a maximum sash weight of 99 kg.

This application diagram is only valid in conjunction with the corresponding installation drawing 0-46738-DD.

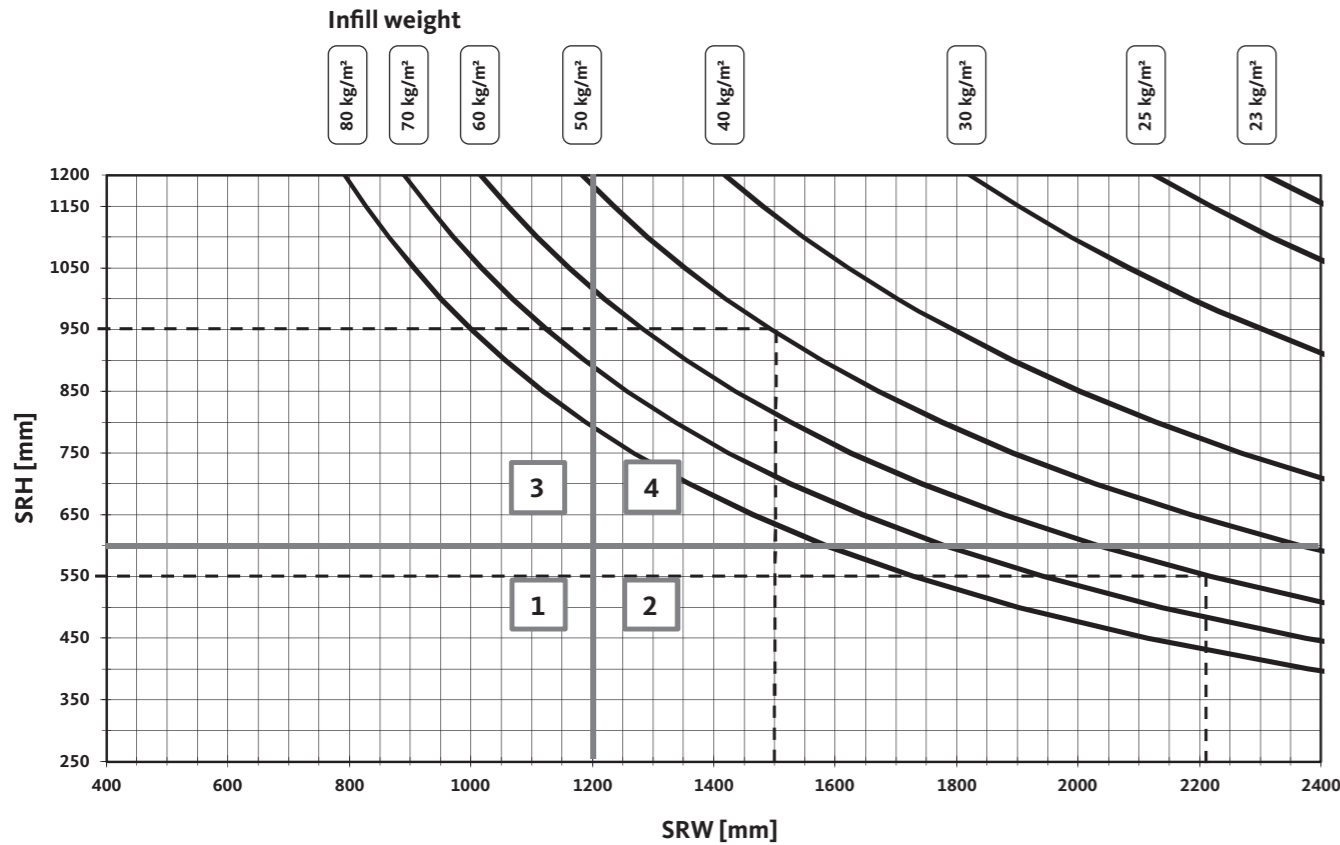
For notes on intended use, see 0-46789.

Test and calculation basis

- Tilt&Turn test according to QM 328 or RAL GZ 607/3 Appendix 2:
 - 15,000 Tilt&Turn cycles
 - 10,000 Turn-Only cycles
- Test formats:
 - SRW 900 x SRH 2300 : 150 kg
 - SRW 1300 x SRH 1200 : 100 kg

Application diagram

Tilt-Only sash – drawing no. 0-46854



Prerequisites for using the application diagram:

- Verifications regarding the attachment of load-bearing components to the window system by the window fabricator according to TBDK with the following forces:
 - 2200 N at the stay-bearing
- Glass reduction $GR \geq 28$ mm
- Profile weight $PW \leq 3.25$ kg/m

Attention

Only sash formats to the left of the respective glass weight graph are permissible.

Reading examples

- Infill weight = 50 kg/m²**
With an SRW = 950 mm, the max. SRH = 1500 mm, which corresponds to a maximum sash weight of 80 kg.
- Infill weight = 60 kg/m²**
With an SRW = 550 mm, the max. SRH = 2220 mm, which corresponds to a maximum sash weight of 80 kg.

- 1 x Tilt-Only stay U-76500 at the top*
1 x restrictor stay U-76500 on the side (with sash weights > 20 kg)
2 x restrictor stay U-76500 on the side)
- 2 x Tilt-Only stay U-76500 at the top
2 x restrictor stay U-76500 on the side
- 1 x Tilt-Only stay U-76500 at the top*
1 x restrictor stay EURO-SOLID on the side (with sash weights > 30 kg)
2 x EURO-SOLID on the side)
- 2 x Tilt-Only stay U-76500 at the top
2 x restrictor stay EURO-SOLID on the side

* 2 Tilt-Only stays U-76500 must be used with sash weights > 40 kg.

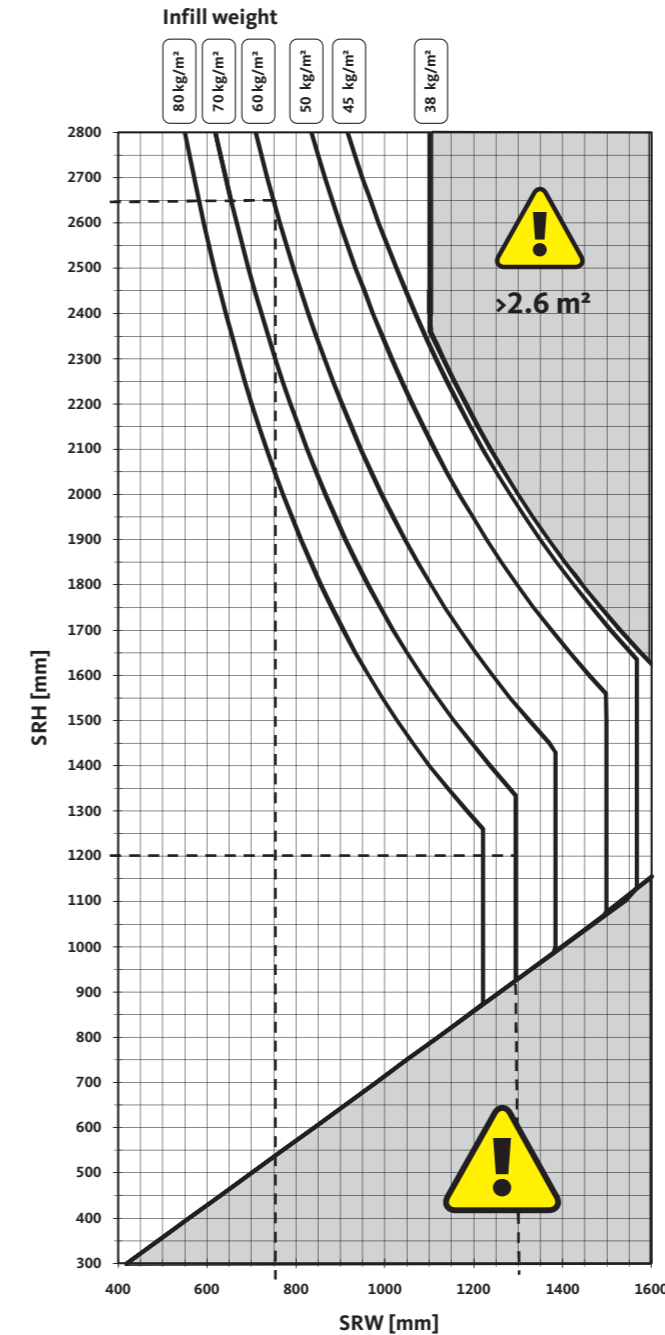
This application diagram is only valid in conjunction with the corresponding installation drawings.

- 0-46795-DD: UNI-JET D
- 0-46794-DC: UNI-JET M

For notes on intended use, see 0-46789.

Application diagram UNI-JET M / UNI-JET S

Turn-Only / Tilt&Turn sash – drawing no. 0-45559



Prerequisites for using the application diagram:

- Verifications regarding the attachment of load-bearing components to the window system by the window fabricator according to TBDK with the following forces:
 - 3525 N at the stay-bearing
 - 3760 N at the pivot-rest
- Glass reduction $GR \geq 28$ mm
- Profile weight $PW \leq 3.25$ kg/m

Attention

The maximum sash weight of 130 kg is only permitted in certain areas of the application diagram.

Only sash formats to the left of the respective glass weight graph are permissible.

format not permitted

Reading examples

- Infill weight = 60 kg/m²**
With SRW = 750 mm, the SRH max. = 2650 mm, which corresponds to a maximum sash weight of 130 kg.
- Infill weight = 70 kg/m²**
With an SRW = 1200 mm, the max. SRH = 1300 mm, which corresponds to a maximum sash weight of 115 kg.

This application diagram is only valid in conjunction with the corresponding installation drawings.

- 0-46605-DC: UNI-JET M
- 0-46604-DD: UNI-JET S

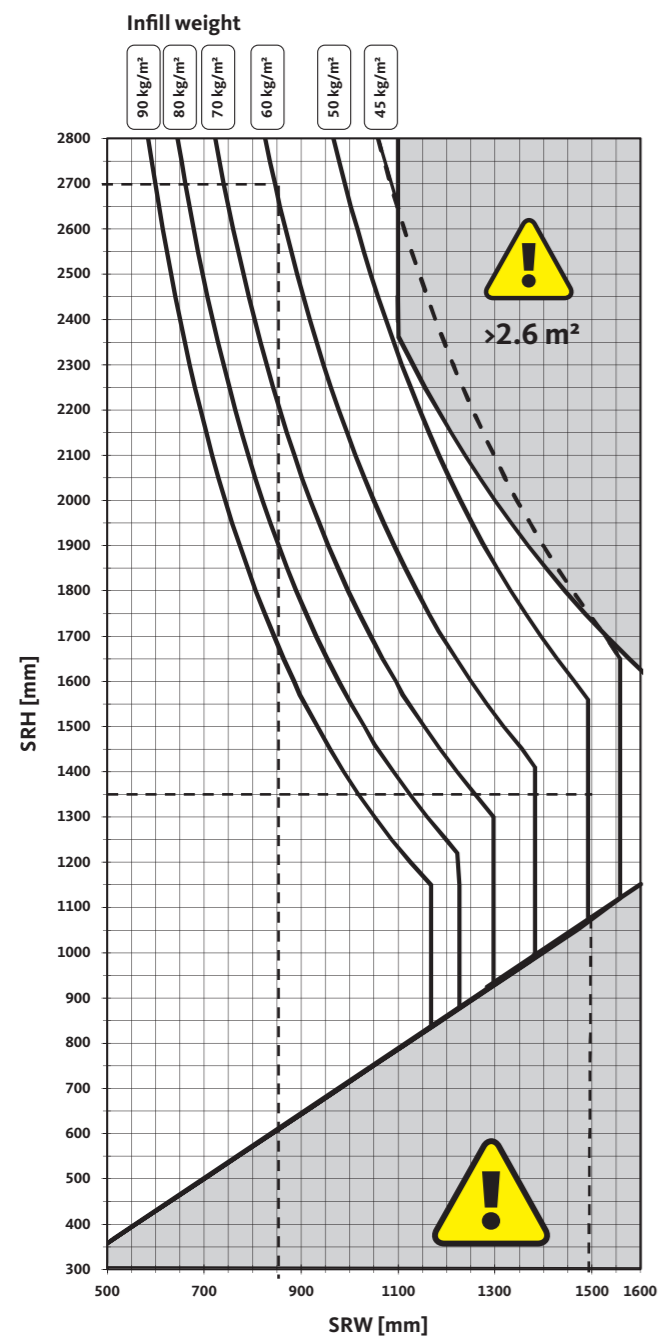
For notes on intended use, see 0-46789.

Test and calculation basis

- Tilt&Turn test according to QM 328 or RAL GZ 607/3 Appendix 2:
 - 15,000 Tilt&Turn cycles
 - 10,000 Turn-Only cycles
- Test format:
 - SRW 1300 x SRH 1200 : 130 kg

Application diagram UNI-JET M

Turn-Only / Tilt&Turn sash – drawing no. 0-47271



Prerequisites for using the application diagram:

- Verifications regarding the attachment of load-bearing components to the window system by the window fabricator according to TDK with the following forces:
 - 4200 N at the stay-bearing
 - 4340 N at the pivot-rest
- Glass reduction GR ≥ 40 mm
- Profile weight PW ≤ 4 kg/m

Attention

The maximum sash weight of 150 kg is only permitted in certain areas of the application diagram.

Only sash formats to the left of the respective glass weight graph are permissible.

format not permitted

Reading examples

- Infill weight = 60 kg/m²**
With SRW = 850 mm, the SRH max. = 2700 mm, which corresponds to a maximum sash weight of 148 kg.
- Infill weight = 50 kg/m²**
With SRW = 1350 mm, the SRH max. = 1490 mm, which corresponds to a maximum sash weight of 112 kg.

This application diagram is only valid in conjunction with the corresponding installation drawing 0-47272-DC.

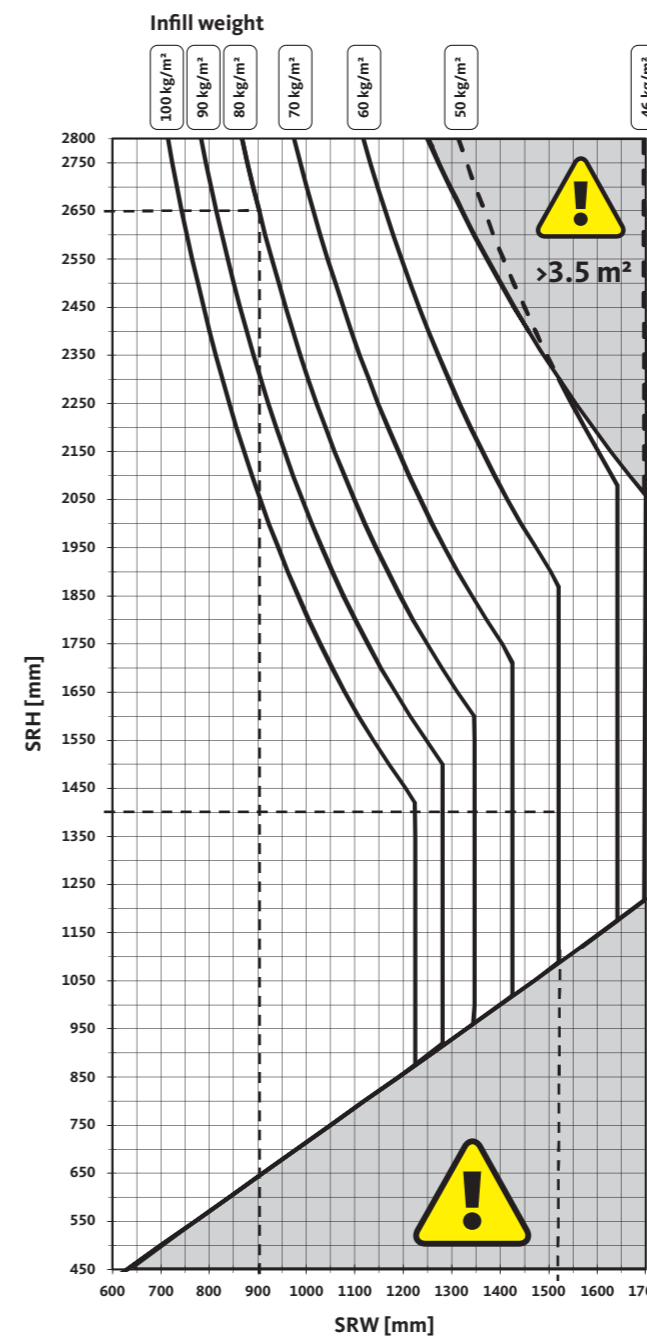
For notes on intended use, see 0-46789.

Test and calculation basis

- Tilt&Turn test according to QM 328 or RAL GZ 607/3 Appendix 2:
 - 15,000 Tilt&Turn cycles
 - 10,000 Turn-Only cycles
- Test formats:
 - SRW 900 x SRH 2300 : 150 kg
 - SRW 1300 x SRH 1200 : 130 kg

Application diagram UNI-JET M8/12

Tilt&Turn / Turn-Only sash – drawing no. 0-45985



Prerequisites for using the application diagram:

- Verifications regarding the attachment of load-bearing components to the window system by the window fabricator according to TDK with the following forces:
 - 5550 N at the stay-bearing
 - 5780 N at the pivot-rest
- Glass reduction GR ≥ 40 mm
- Profile weight PW ≤ 4 kg/m

Attention

The maximum sash weight of 200 kg is only permitted in certain areas of the application diagram.

Only sash formats to the left of the respective glass weight graph are permissible.

format not permitted

Reading examples

- Infill weight = 80 kg/m²**
With SRW = 900 mm, the SRH max. = 2650 mm, which corresponds to a maximum sash weight of 197 kg.
- Infill weight = 60 kg/m²**
With an SRW = 1400 mm, the max. SRH = 1520 mm, which corresponds to a maximum sash weight of 137 kg.

This application diagram is only valid in conjunction with the corresponding installation drawing 0-45984-DC.

For notes on intended use, see 0-46789.

Test and calculation basis

- Tilt&Turn test according to QM 328 or RAL GZ 607/3 Appendix 2:
 - 15,000 Tilt&Turn cycles
 - 10,000 Turn-Only cycles
- Test formats:
 - SRW 900 x SRH 2300 : 200 kg
 - SRW 1550 x SRH 1400 : 160 kg

Application diagram for arched windows

Turn-Only / Tilt&Turn sash – drawing no. 0-47727



Prerequisites for using the application diagram:

- Verifications regarding the attachment of load-bearing components to the window system by the window fabricator according to TBDK with the following forces:
 - 2200 N at the stay-bearing
 - 2310 N at the pivot-rest
- Glass reduction GR \geq 28 mm
- Profile weight PW \leq 3.25 kg/m

Attention

The maximum sash weight of 80 kg is only permitted in certain areas of the application diagram.

Only sash formats to the left of the respective glass weight graph are permissible.

format not permitted

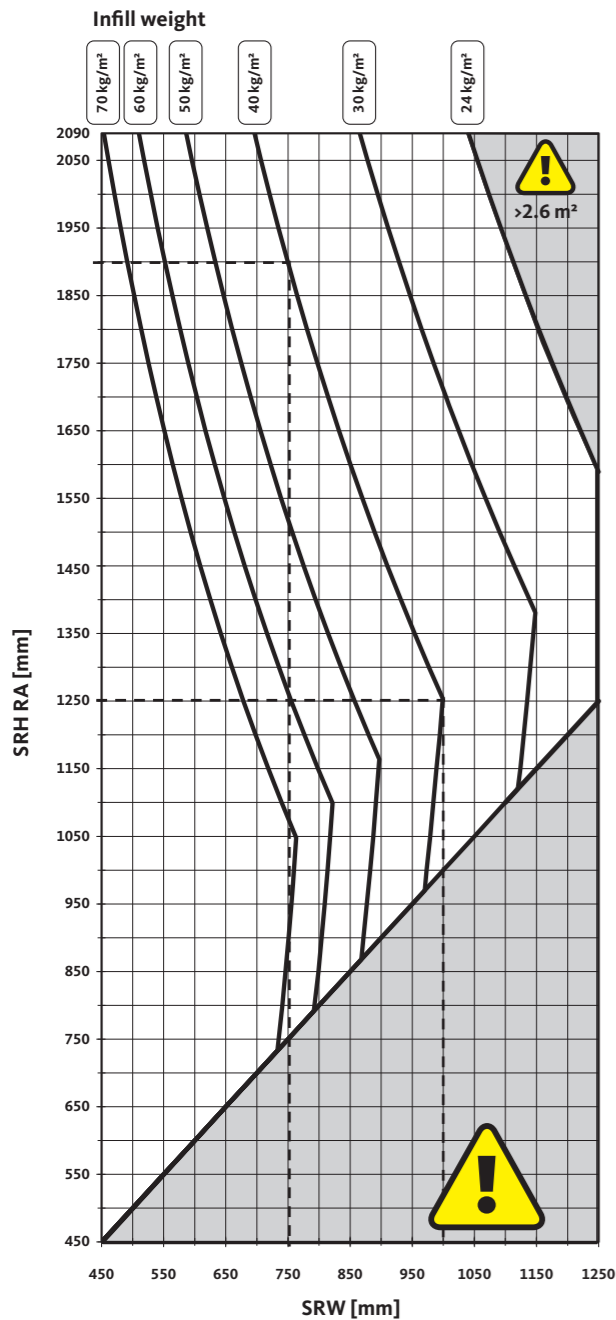
Reading examples

- Infill weight = 40 kg/m²**
With SRW = 750 mm, the SRH RA max. = 1900 mm, which corresponds to a maximum sash weight of 80 kg.
- Infill weight = 40 kg/m²**
With SRH RA = 1250 mm, the SRW max. = 1000 mm, which corresponds to a maximum sash weight of 80 kg.

This application diagram is only valid in conjunction with the corresponding installation drawings.

- 0-47637-DD: UNI-JET D/UNI-JET S
- 0-47638-DC: UNI-JET M6/12
- 0-47639-DC: UNI-JET M6/4

For notes on intended use, see 0-46789.



Application diagram for pitched windows $\alpha = 1^\circ - 15^\circ$

Tilt&Turn / Turn-Only sash – drawing no. 0-45877



Prerequisites for using the application diagram:

- Verifications regarding the attachment of load-bearing components to the window system by the window fabricator according to TBDK with the following forces:
 - 2710 N at the stay-bearing
 - 2890 N at the pivot-rest
- Glass reduction GR \geq 28 mm
- Profile weight PW \leq 3.25 kg/m

Attention

The maximum sash weight of 100 kg is only permitted in certain areas of the application diagram.

Only sash formats to the left of the respective glass weight graph are permissible.

format not permitted

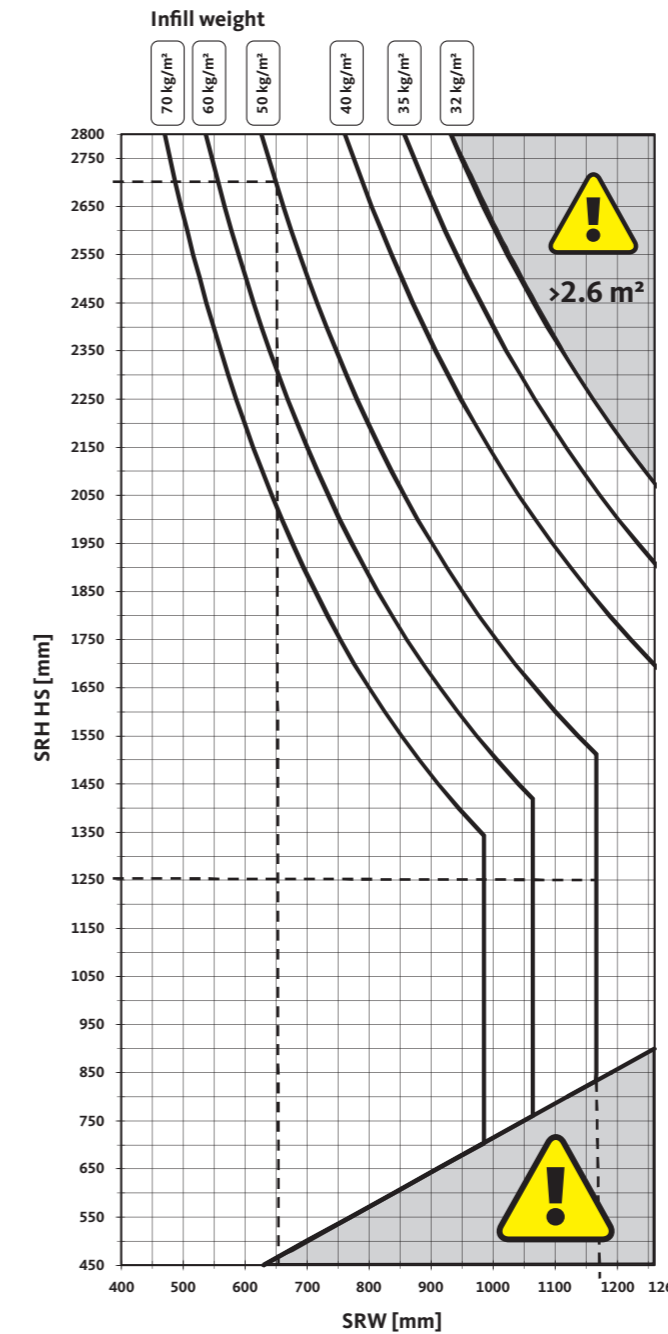
Reading examples

- Infill weight = 50 kg/m²**
With SRW = 650 mm, the SRH max. = 2700 mm, which corresponds to a maximum sash weight of 100 kg.
- Infill weight = 50 kg/m²**
With an SRW = 1250 mm, the max. SRH = 1165 mm, which corresponds to a maximum sash weight of 84 kg.

This application diagram is only valid in conjunction with the corresponding installation drawings.

- 0-46742-DD: UNI-JET D and UNI-JET S
- 0-46743-DC: UNI-JET M6/12
- 0-46744-DC: UNI-JET M6/4
- 0-44494-DC: UNI-JET M20/12

For notes on intended use, see 0-46789.



Application diagram for pitched windows $\alpha = 15^\circ - 30^\circ$

Turn-Only / Tilt&Turn sash – drawing no. 0-45878



Prerequisites for using the application diagram:

- Verifications regarding the attachment of load-bearing components to the window system by the window fabricator according to TBDK with the following forces:
 - 2710 N at the stay-bearing
 - 2890 N at the pivot-rest
- Glass reduction GR \geq 28 mm
- Profile weight PW \leq 3.25 kg/m

Attention

The maximum sash weight of 100 kg is only permitted in certain areas of the application diagram.

Only sash formats to the left of the respective glass weight graph are permissible.

format not permitted

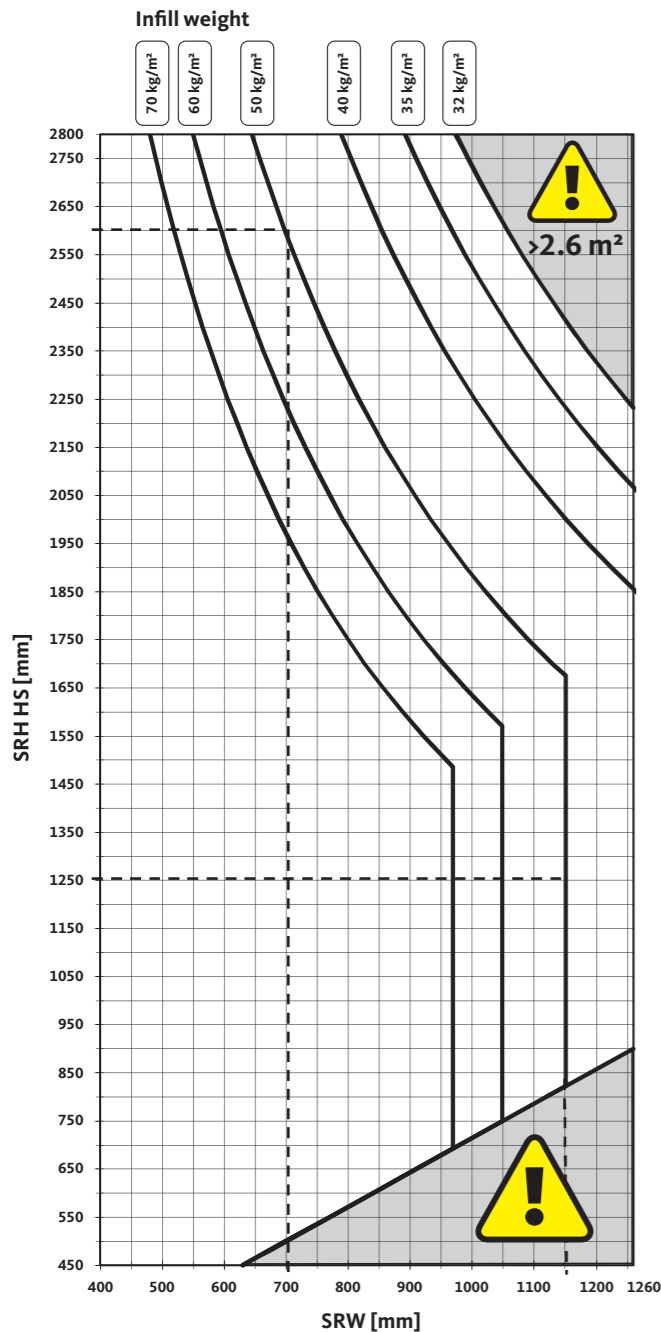
Reading examples

- Infill weight = 50 kg/m²**
With SRW = 700 mm, the SRH max. = 2600 mm, which corresponds to a maximum sash weight of 100 kg.
- Infill weight = 50 kg/m²**
With an SRW = 1250 mm, the max. SRH = 1150 mm, which corresponds to a maximum sash weight of 75 kg.

This application diagram is only valid in conjunction with the corresponding installation drawings.

- 0-46742-DD: UNI-JET D and UNI-JET S
- 0-46743-DC: UNI-JET M6/12
- 0-46744-DC: UNI-JET M6/4
- 0-44494-DC: UNI-JET M20/12

For notes on intended use, see 0-46789.



Application diagram for pitched windows $\alpha = 30^\circ - 40^\circ$

Tilt&Turn / Turn-Only sash – drawing no. 0-45879



Prerequisites for using the application diagram:

- Verifications regarding the attachment of load-bearing components to the window system by the window fabricator according to TBDK with the following forces:
 - 2710 N at the stay-bearing
 - 2890 N at the pivot-rest
- Glass reduction GR \geq 28 mm
- Profile weight PW \leq 3.25 kg/m

Attention

The maximum sash weight of 100 kg is only permitted in certain areas of the application diagram.

Only sash formats to the left of the respective glass weight graph are permissible.

format not permitted

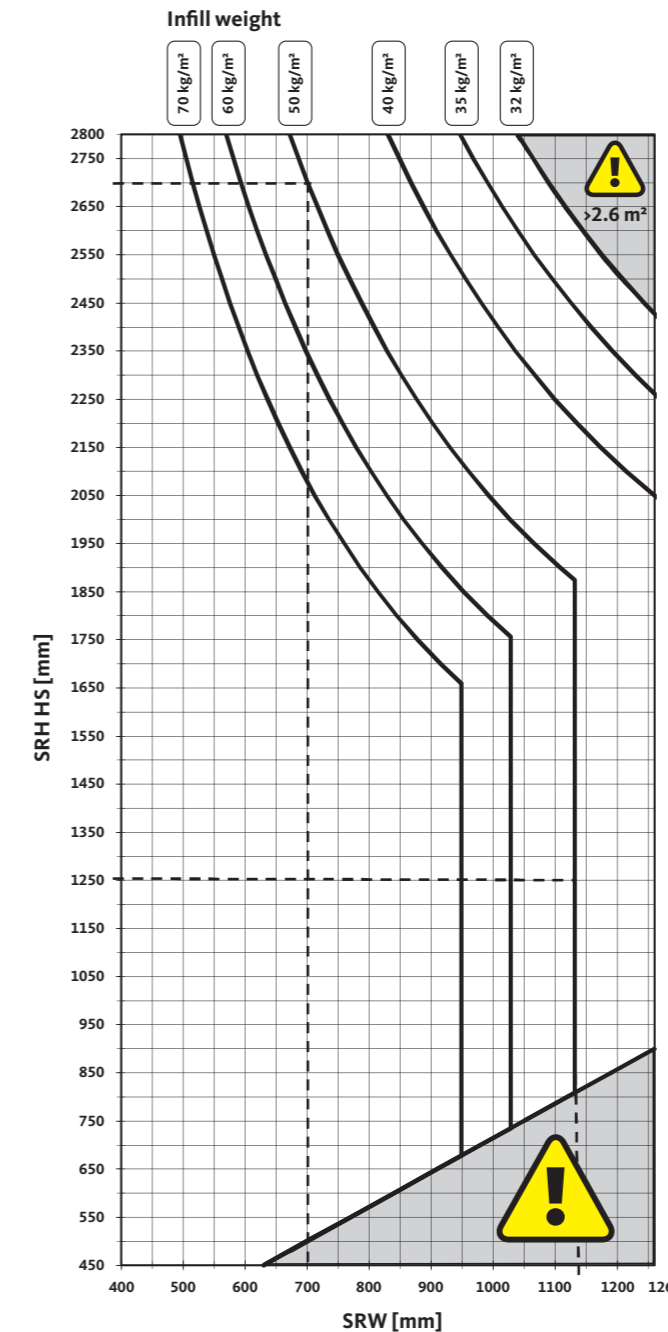
Reading examples

- Infill weight = 50 kg/m²**
With SRW = 700 mm, the SRH max. = 2700 mm, which corresponds to a maximum sash weight of 100 kg.
- Infill weight = 50 kg/m²**
With an SRW = 1250 mm, the max. SRH = 1130 mm, which corresponds to a maximum sash weight of 65 kg.

This application diagram is only valid in conjunction with the corresponding installation drawings.

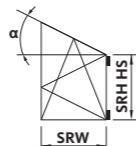
- 0-46742-DD: UNI-JET D and UNI-JET S
- 0-46743-DC: UNI-JET M6/12
- 0-46744-DC: UNI-JET M6/4
- 0-44494-DC: UNI-JET M20/12

For notes on intended use, see 0-46789.



Application diagram for pitched windows $\alpha = -15^\circ - 0^\circ$

Tilt&Turn / Turn-Only sash – drawing no. 0-45880



Prerequisites for using the application diagram:

- Verifications regarding the attachment of load-bearing components to the window system by the window fabricator according to TBDK with the following forces:
 - 2710 N at the stay-bearing
 - 2890 N at the pivot-rest
- Glass reduction $GR \geq 28$ mm
- Profile weight $PW \leq 3.25$ kg/m

Attention

The maximum sash weight of 100 kg is only permitted in certain areas of the application diagram.

Only sash formats to the left of the respective glass weight graph are permissible.

format not permitted

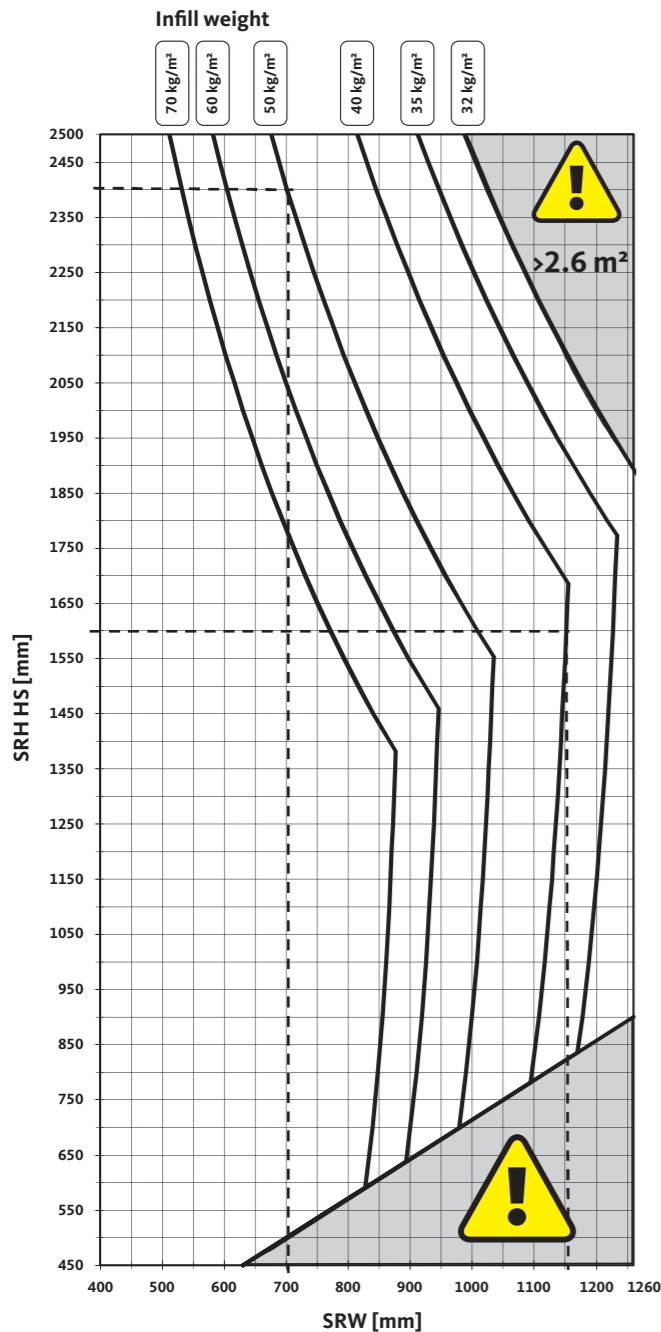
Reading examples

- Infill weight = 50 kg/m²**
With $SRW = 700$ mm, the SRH max. = 2400 mm, which corresponds to a maximum sash weight of 100 kg.
- Infill weight = 40 kg/m²**
With an $SRW = 1600$ mm, the max. $SRH = 1150$ mm, which corresponds to a maximum sash weight of 95 kg.

This application diagram is only valid in conjunction with the corresponding installation drawings.

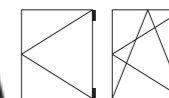
- 0-46742-DD: UNI-JET D and UNI-JET S
- 0-46743-DC: UNI-JET M6/12
- 0-46744-DC: UNI-JET M6/4
- 0-44494-DC: UNI-JET M20/12

For notes on intended use, see 0-46789.



Application diagram UNI-JET SCF

For profile systems that do not allow the pivot-rest and stay-arm to be screw fixed into the steel reinforcement / Tilt&Turn / Turn-Only sash – drawing no. 0-47735



Prerequisites for using the application diagram:

- Verifications regarding the attachment of load-bearing components to the window system by the window fabricator according to TBDK with the following forces:
 - 2200 N at the stay-bearing
 - 2310 N at the pivot-rest
- Glass reduction $GR \geq 42$ mm
- Profile weight $PW \leq 3$ kg/m

Attention

The maximum sash weight of 80 kg is only permitted in certain areas of the application diagram.

Only sash formats to the left of the respective glass weight graph are permissible.

format not permitted

Reading examples

- Infill weight = 40 kg/m²**
With $SRW = 700$ mm, the SRH max. = 2550 mm, which corresponds to a maximum sash weight of 80 kg.
- Infill weight = 30 kg/m²**
With $SRH = 1500$ mm, the max. $SRW = 1360$ mm, which corresponds to a maximum sash weight of 71 kg.

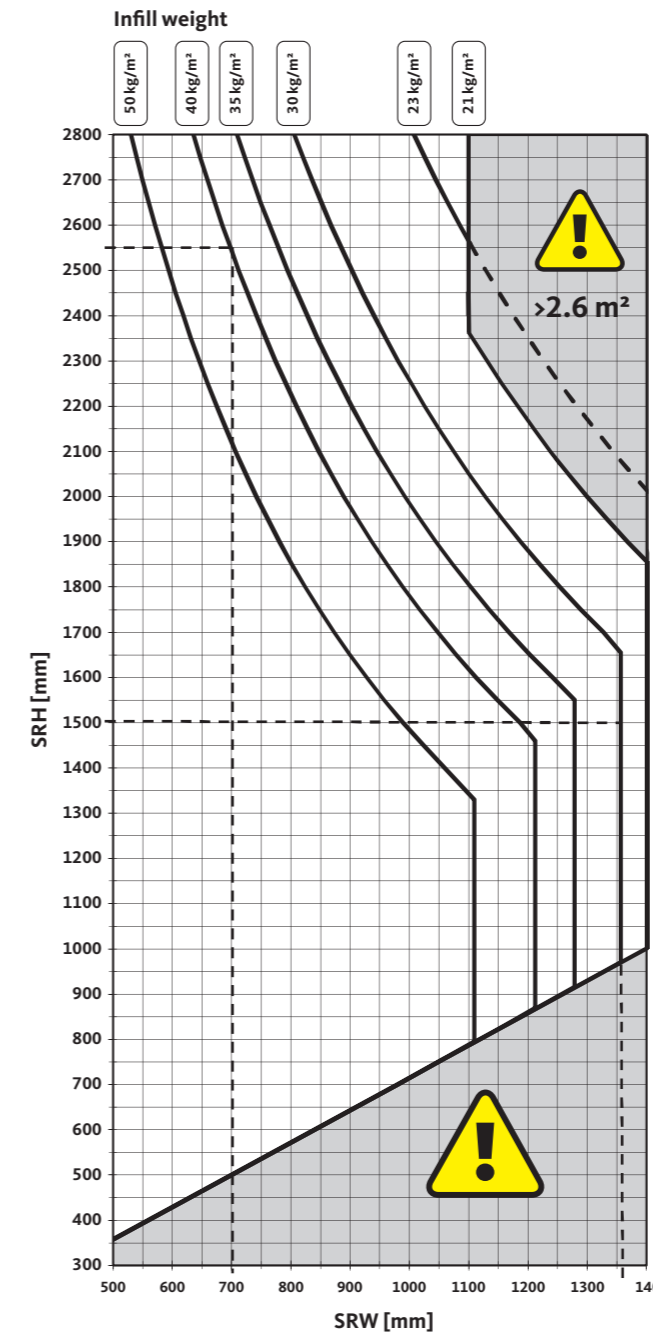
This application diagram is only valid in conjunction with the corresponding installation drawings.

- 0-47107-DD and 0-47357-DD

For notes on intended use, see 0-46789.

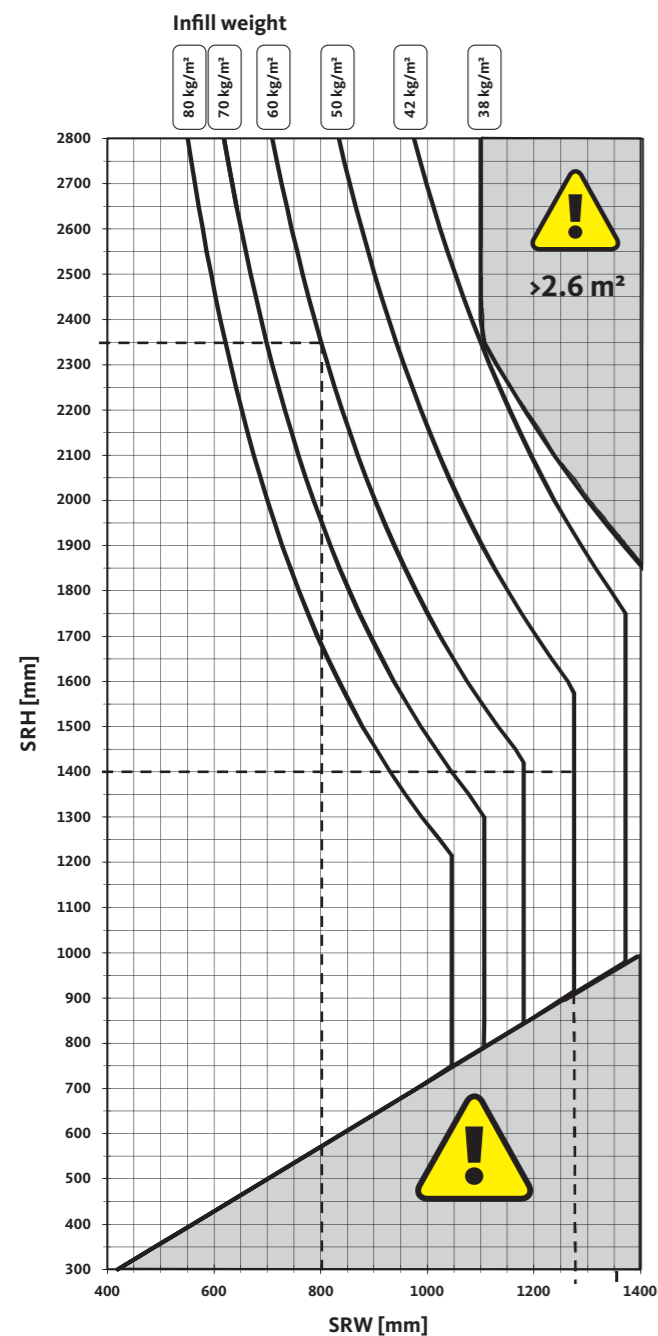
Test and calculation basis

- Tilt&Turn test according to QM 328 or RAL GZ 607/3 Appendix 2:
 - 15,000 Tilt&Turn cycles
 - 10,000 Turn-Only cycles
- Test formats:
 - $SRW 900 \times SRH 2300 : 80$ kg



Application diagram UNI-JET SCF

Turn-Only / Tilt&Turn sash – drawing no. 0-47359



Prerequisites for using the application diagram:

- Verifications regarding the attachment of load-bearing components to the window system by the window fabricator according to TBDK with the following forces:
 - 3525 N at the stay-bearing
 - 3760 N at the pivot-rest
- Glass reduction GR ≥ 28 mm
- Profile weight PW ≤ 3.25 kg/m

Attention:

The maximum sash weight of 130 kg is only permitted in certain areas of the application diagram.

Only sash formats to the left of the respective glass weight graph are permissible.

format not permitted

Reading examples

- Infill weight = 60 kg/m²**
With SRW = 800 mm, the SRH max. = 2350 mm, which corresponds to a maximum sash weight of 123 kg.
- Infill weight = 50 kg/m²**
With an SRW = 1400 mm, the max. SRH = 1275 mm, which corresponds to a maximum sash weight of 100 kg.

This application diagram is only valid in conjunction with the corresponding installation drawing 0-47107-DD.

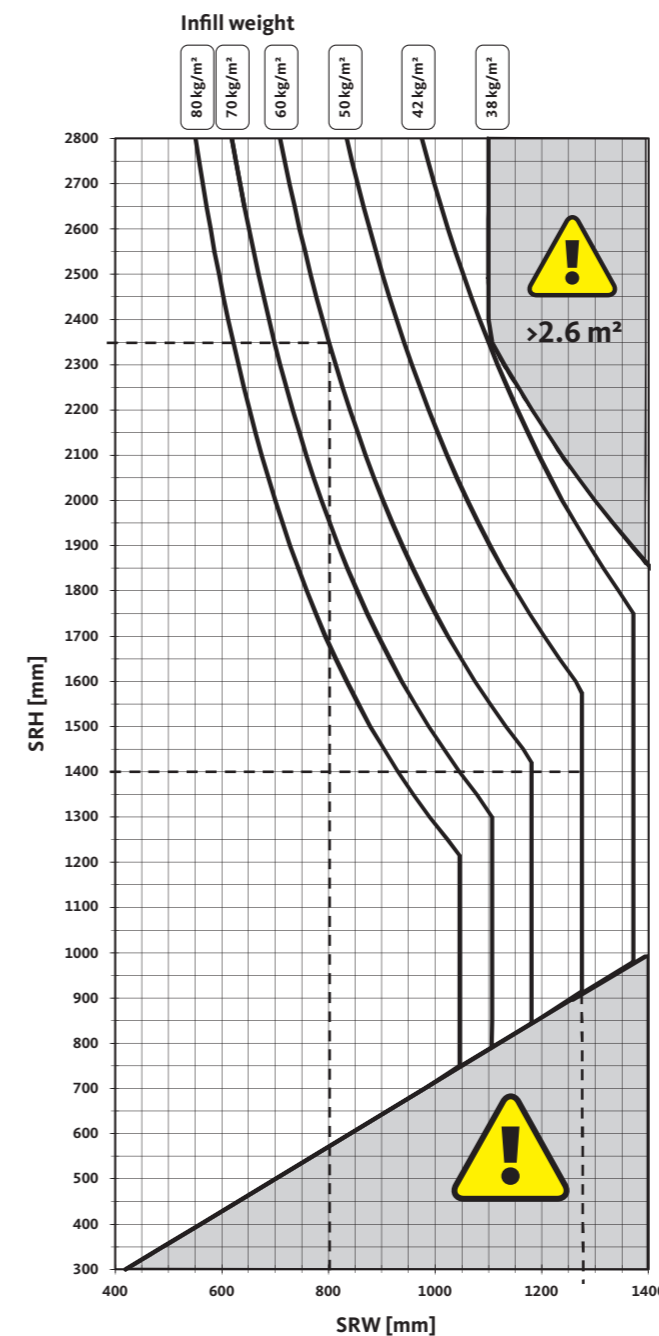
For notes on intended use, see 0-46789.

Test and calculation basis

- Tilt&Turn test according to QM 328 or RAL GZ 607/3 Appendix 2:
 - 15,000 Tilt&Turn cycles
 - 10,000 Turn-Only cycles
- Test formats:
 - SRW 900 x SRH 2300 : 130 kg
 - SRW 1300 x SRH 1200 : 100 kg

Application diagram UNI-JET SCF

Turn-Only / Tilt&Turn sash – drawing no. 0-47358



Prerequisites for using the application diagram:

- Verifications regarding the attachment of load-bearing components to the window system by the window fabricator according to TBDK with the following forces:
 - 3525 N at the stay-bearing
 - 3760 N at the pivot-rest
- Glass reduction GR ≥ 28 mm
- Profile weight PW ≤ 3.25 kg/m

Attention:

The maximum sash weight of 130 kg is only permitted in certain areas of the application diagram.

Only sash formats to the left of the respective glass weight graph are permissible.

format not permitted

Reading examples

- Infill weight = 60 kg/m²**
With SRW = 800 mm, the SRH max. = 2350 mm, which corresponds to a maximum sash weight of 123 kg.
- Infill weight = 50 kg/m²**
With an SRW = 1400 mm, the max. SRH = 1275 mm, which corresponds to a maximum sash weight of 100 kg.

This application diagram is only valid in conjunction with the corresponding installation drawing 0-47106-DD.

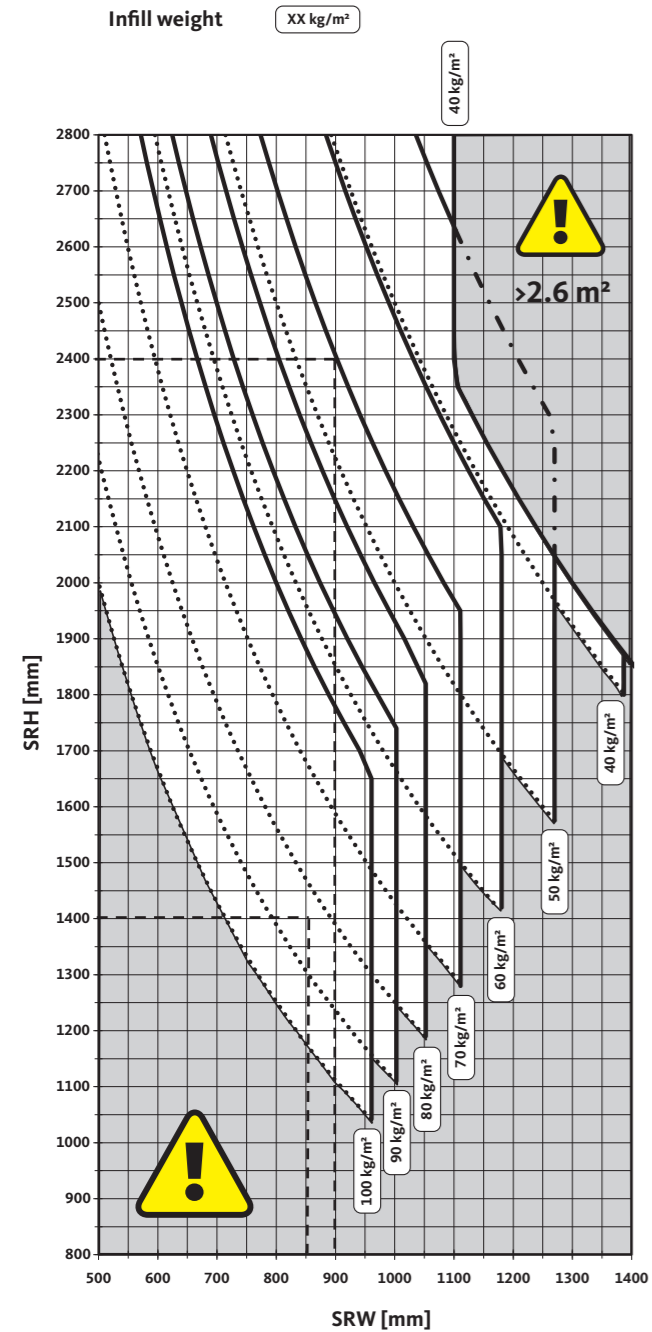
For notes on intended use, see 0-46789.

Test and calculation basis

- Tilt&Turn test according to QM 328 or RAL GZ 607/3 Appendix 2:
 - 15,000 Tilt&Turn cycles
 - 10,000 Turn-Only cycles
- Test formats:
 - SRW 900 x SRH 2300 : 130 kg
 - SRW 1300 x SRH 1200 : 100 kg

Application diagram for UNI-JET SCF with load-absorption set

For sash weights 100 kg – 160 kg
Turn-Only / Tilt&Turn sash – drawing no. 0-47177



Prerequisites for using the application diagram:

- Verifications regarding the attachment of load-bearing components to the window system by the window fabricator according to TBDK with the following forces:
 - 4450 N at the stay-bearing
 - 4620 N at the pivot-rest
- Glass reduction GR ≥ 40 mm
- Profile weight PW ≤ 4 kg/m

Attention:

The maximum sash weight of 160 kg is only permitted in certain areas of the application diagram.

Only sash formats appearing within the two glass weight graphs of the respective infill weight are permissible. The **—** graph represents the maximum sash weight, the **•••••** graph represents the minimum sash weight.

■ format not permitted

Reading examples

- Infill weight = 70 kg/m²**
With SRW = 900 mm, the SRH max. = 2400 mm, which corresponds to a maximum sash weight of 159 kg.
- Infill weight = 80 kg/m²**
For example, a sash format with SRH = 1400 mm and SRW = 850 mm is not permitted, because it appears below the 80 kg graph **•••••** and therefore falls below the minimum sash weight of 100 kg.

This application diagram is only valid in conjunction with the corresponding installation drawing 0-47426-DD.

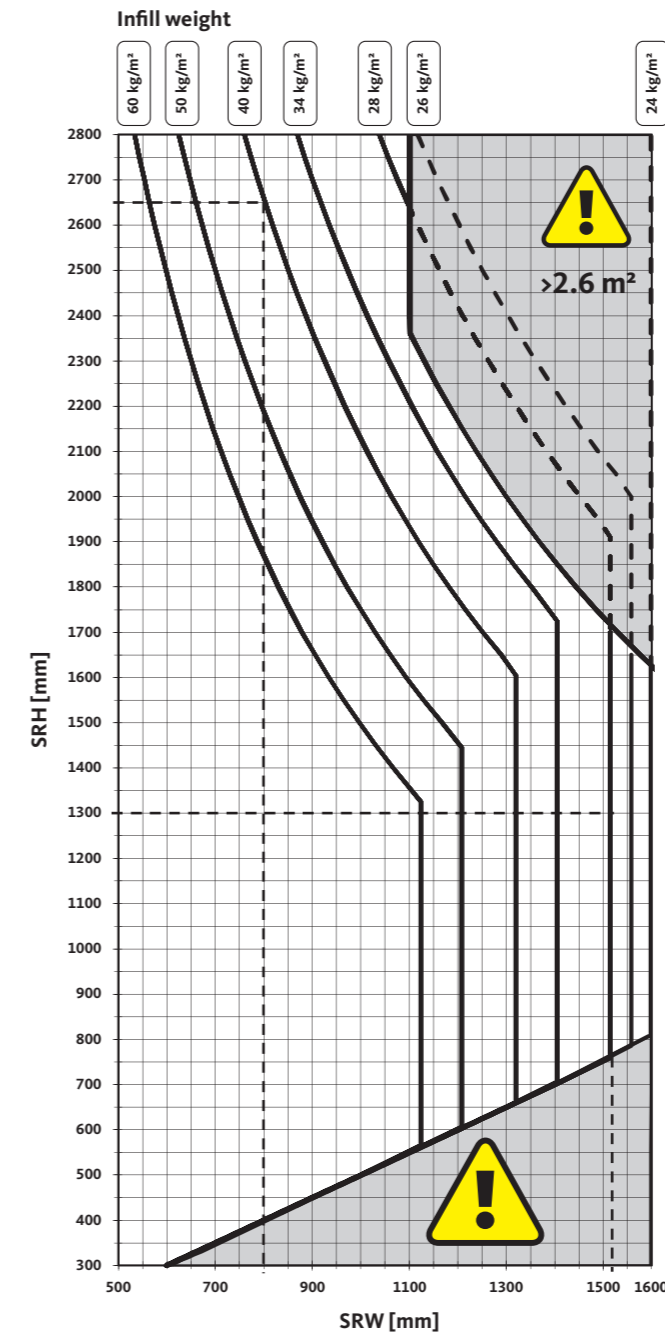
For notes on intended use, see 0-46789.

Test and calculation basis

- Tilt&Turn test according to QM 328 or RAL GZ 607/3 Appendix 2:
 - 15,000 Tilt&Turn cycles
 - 10,000 Turn-Only cycles
- Test formats:
 - SRW 900 x SRH 2300 : 160 kg
 - SRW 1300 x SRH 1200 : 100 kg

Application diagram UNI-JET CONTURA

Turn-Only / Tilt&Turn sash – drawing no. 0-47001



Prerequisites for using the application diagram:

- Verifications regarding the attachment of load-bearing components to the window system by the window fabricator according to TBDK with the following forces:
 - 2710 N at the stay-bearing
 - 2890 N at the pivot-rest
- Glass reduction GR ≥ 28 mm
- Profile weight PW ≤ 3.25 kg/m

Attention

The maximum sash weight of 100 kg is only permitted in certain areas of the application diagram.

Only sash formats to the left of the respective glass weight graph are permissible.

■ format not permitted

Reading examples

- Infill weight = 40 kg/m²**
With SRW = 800 mm, the SRH max. = 2650 mm, which corresponds to a maximum sash weight of 100 kg.
- Infill weight = 28 kg/m²**
With an SRW = 1300 mm, the max. SRH = 1515 mm, which corresponds to a maximum sash weight of 70 kg.

This application diagram is only valid in conjunction with the corresponding installation drawing 0-46739-DP.

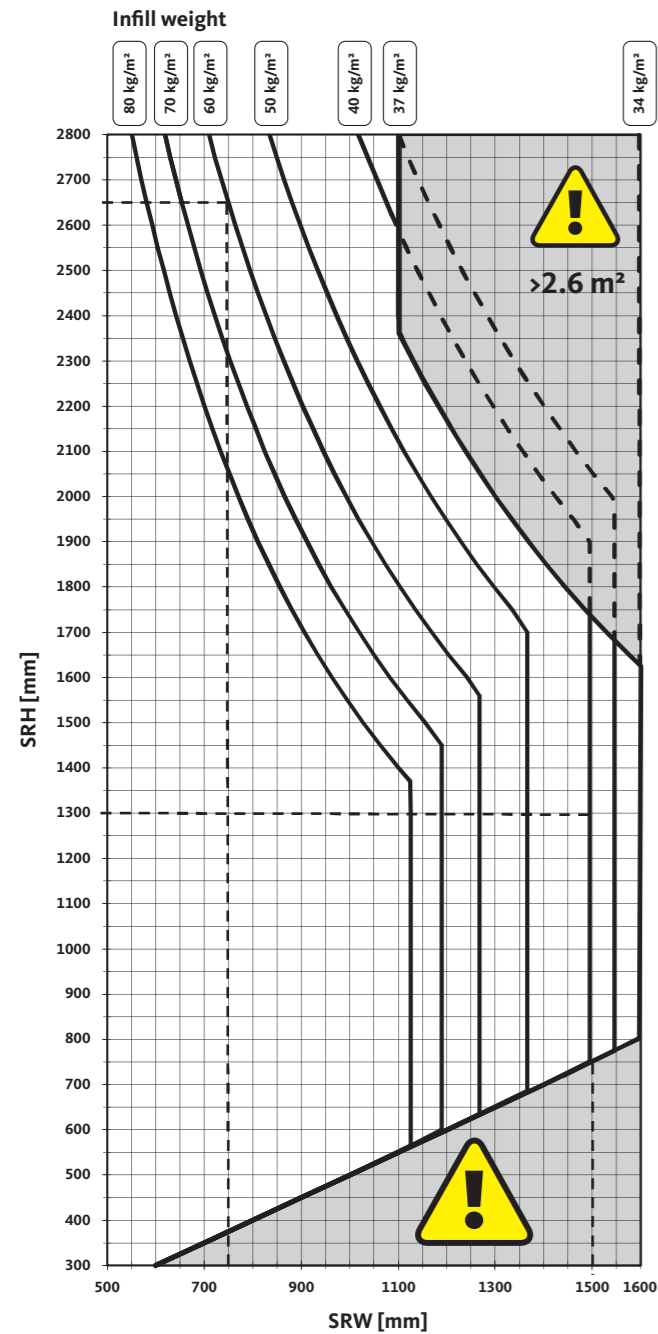
For notes on intended use, see 0-46789.

Test and calculation basis

- Tilt&Turn test according to QM 328 or RAL GZ 607/3 Appendix 2:
 - 15,000 Tilt&Turn cycles
 - 10,000 Turn-Only cycles
- Test formats:
 - SRW 1300 x SRH 1200 : 100 kg

Application diagram UNI-JET CONTURA

Turn-Only / Tilt&Turn sash – drawing no. 0-46736



Prerequisites for using the application diagram:

- Verifications regarding the attachment of load-bearing components to the window system by the window fabricator according to TBDK with the following forces:
 - 3525 N at the stay-bearing
 - 3760 N at the pivot-rest
- Glass reduction GR ≥ 28 mm
- Profile weight PW ≤ 3.25 kg/m

Attention

The maximum sash weight of 130 kg is only permitted in certain areas of the application diagram.

Only sash formats to the left of the respective glass weight graph are permissible.

format not permitted

Reading examples

- Infill weight = 60 kg/m²**
With SRW = 750 mm, the SRH max. = 2650 mm, which corresponds to a maximum sash weight of 130 kg.
- Infill weight = 40 kg/m²**
With an SRW = 1300 mm, the max. SRH = 1500 mm, which corresponds to a maximum sash weight of 90 kg.

This application diagram is only valid in conjunction with the corresponding installation drawing 0-46739-DP.

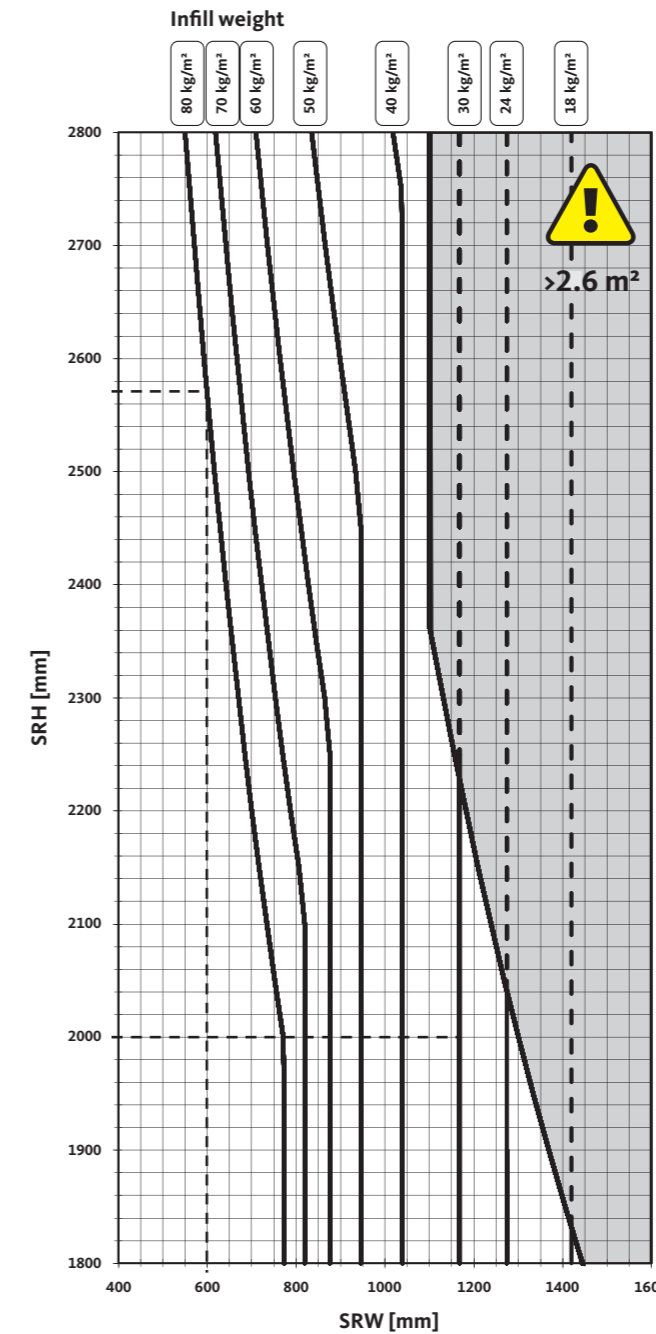
For notes on intended use, see 0-46789.

Test and calculation basis

- Tilt&Turn test according to QM 328 or RAL GZ 607/3 Appendix 2:
 - 15,000 Tilt&Turn cycles
 - 10,000 Turn-Only cycles
- Test format:
 - SRW 1300 x SRH 1200 : 130 kg

Application diagram UNI-JET D / UNI-JET M

For balcony-doors with GU system threshold
Turn-Only / Tilt&Turn sash – drawing no. 0-47003



Prerequisites for using the application diagram:

- Verifications regarding the attachment of load-bearing components to the window system by the window fabricator according to TBDK with the following forces:
 - 3525 N at the stay-bearing
 - 3760 N at the pivot-rest
- Glass reduction GR ≥ 28 mm
- Profile weight PW ≤ 3.25 kg/m

Attention

The maximum sash weight of 130 kg is only permitted in certain areas of the application diagram.

Only sash formats to the left of the respective glass weight graph are permissible.

format not permitted

Reading examples

- Infill weight = 80 kg/m²**
With SRW = 600 mm, the SRH max. = 2570 mm, which corresponds to a maximum sash weight of 130 kg.
- Infill weight = 30 kg/m²**
With an SRW = 2000 mm, the max. SRH = 1168 mm, which corresponds to a maximum sash weight of 85 kg.

This application diagram is only valid in conjunction with the corresponding installation drawings.

- 0-46732-YP: UNI-JET D with GU system threshold
- 0-46731-DC: UNI-JET M with GU system threshold

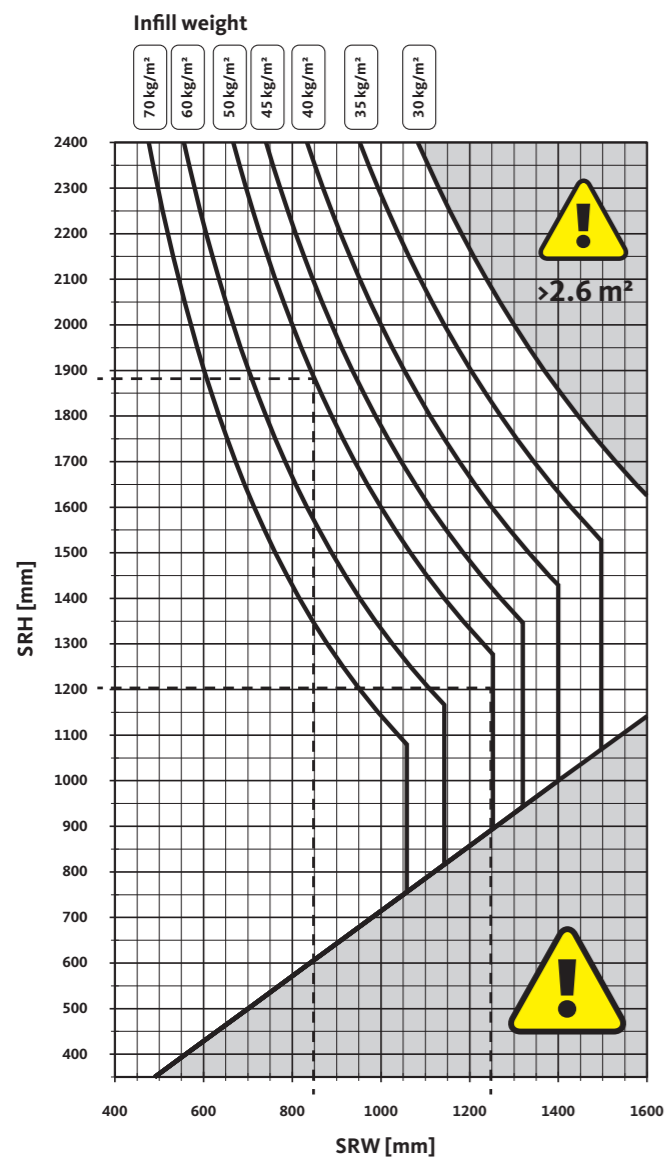
For notes on intended use, see 0-46789.

Test and calculation basis

- Tilt&Turn test according to QM 328 or RAL GZ 607/3 Appendix 2:
 - 15,000 Tilt&Turn cycles
 - 10,000 Turn-Only cycles
- Test formats:
 - SRW 900 x SRH 2300 : 130 kg

Application diagram UNI-JET C

Turn-Only / Tilt&Turn sash – drawing no. 0-45844



Reading examples

Infill weight = 50 kg/m²

- A sash rebate width SRW of 850 mm allows for a maximum sash rebate height SRH of 1880 mm.
- With a sash rebate height SRH of 1200 mm, the maximum sash rebate width SRW is 1250 mm.

Note

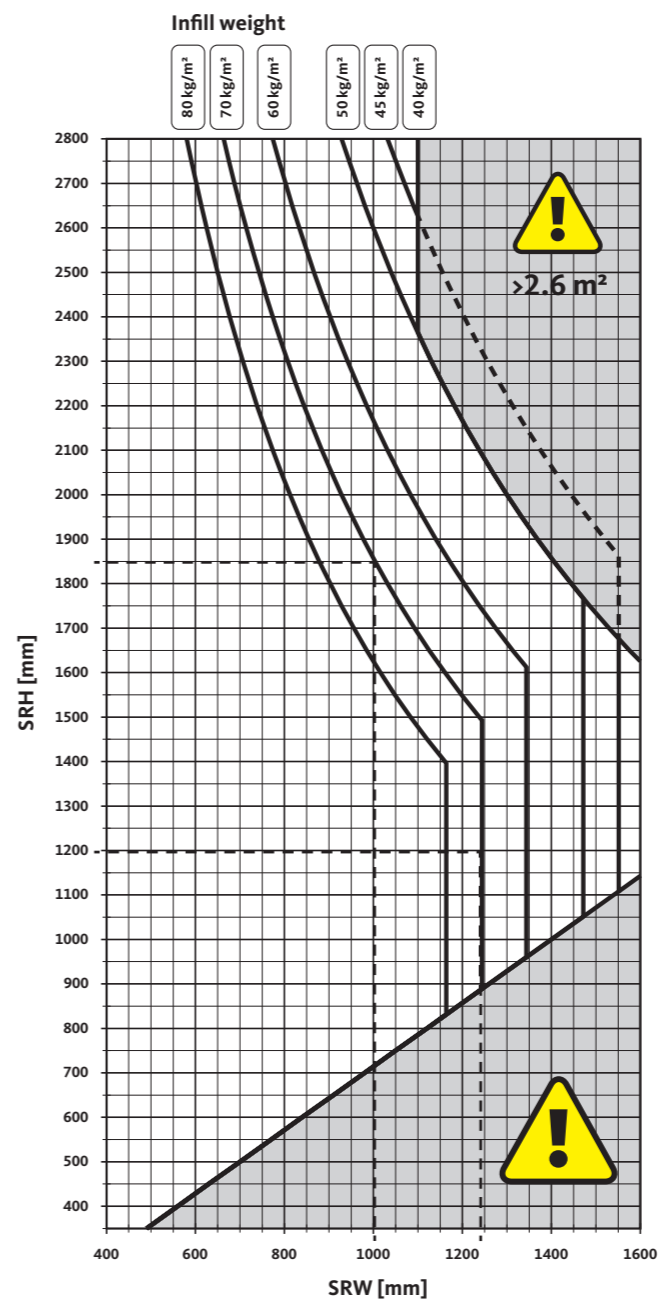
Only sash formats to the left of the respective glass weight graph are permissible.

■ format not permitted

This application diagram is only valid in conjunction with the corresponding installation drawing 0-44708-DL.

Application diagram UNI-JET C

Turn-Only / Tilt&Turn sash – drawing no. 0-45844



Reading examples

Infill weight = 70 kg/m²

- A sash rebate width SRW of 1000 mm allows for a maximum sash rebate height SRH of 1850 mm.
- With a sash rebate height SRH of 1200 mm, the maximum sash rebate width SRW is 1240 mm.

Note

Only sash formats to the left of the respective glass weight graph are permissible.

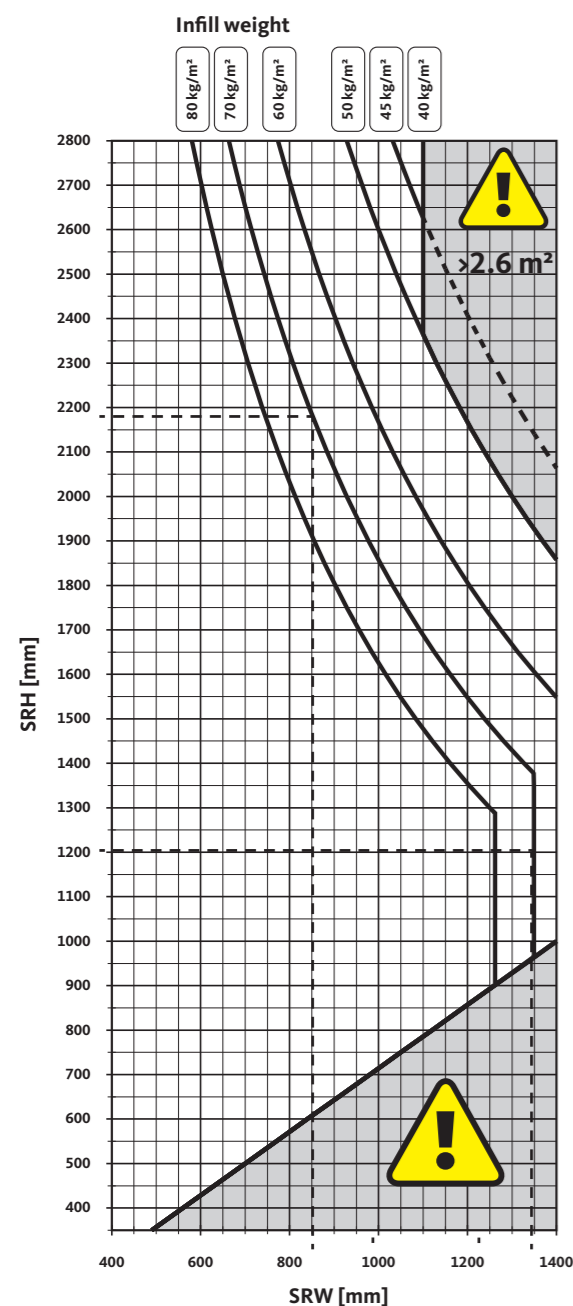
■ format not permitted

This application diagram is only valid in conjunction with the corresponding installation drawing 0-44708-DL.

UNI-JET CC application diagram

Turn-Only / Tilt&Turn sash – drawing no. 0-45927

Table of contents



Reading examples

Infill weight = 70 kg/m²

- A sash rebate width SRW of 850 mm allows for a maximum sash rebate height SRH of 2180 mm.
- With a sash rebate height SRH of 1200 mm, the maximum sash rebate width SRW is 1350 mm.

Note

Only sash formats to the left of the respective glass weight graph are permissible.

■ format not permitted

This application diagram is only valid in conjunction with the corresponding installation drawing 0-45815-DL.

2 UNI-JET central locking system for PVC, timber and aluminium windows

2.1 Overview of sets

Table of contents 69

2.2 Drive-gears

Table of contents 111

2.3 Extensions

Table of contents 145

2.4 Corner-drives

Table of contents 149

2.5 Stay-guides

Table of contents 155

2.6 Centre-locks

Table of contents 161

2.7 Lever-operated gears

Table of contents 175

2.8 Shoot-bolts

Table of contents 185

Table of contents



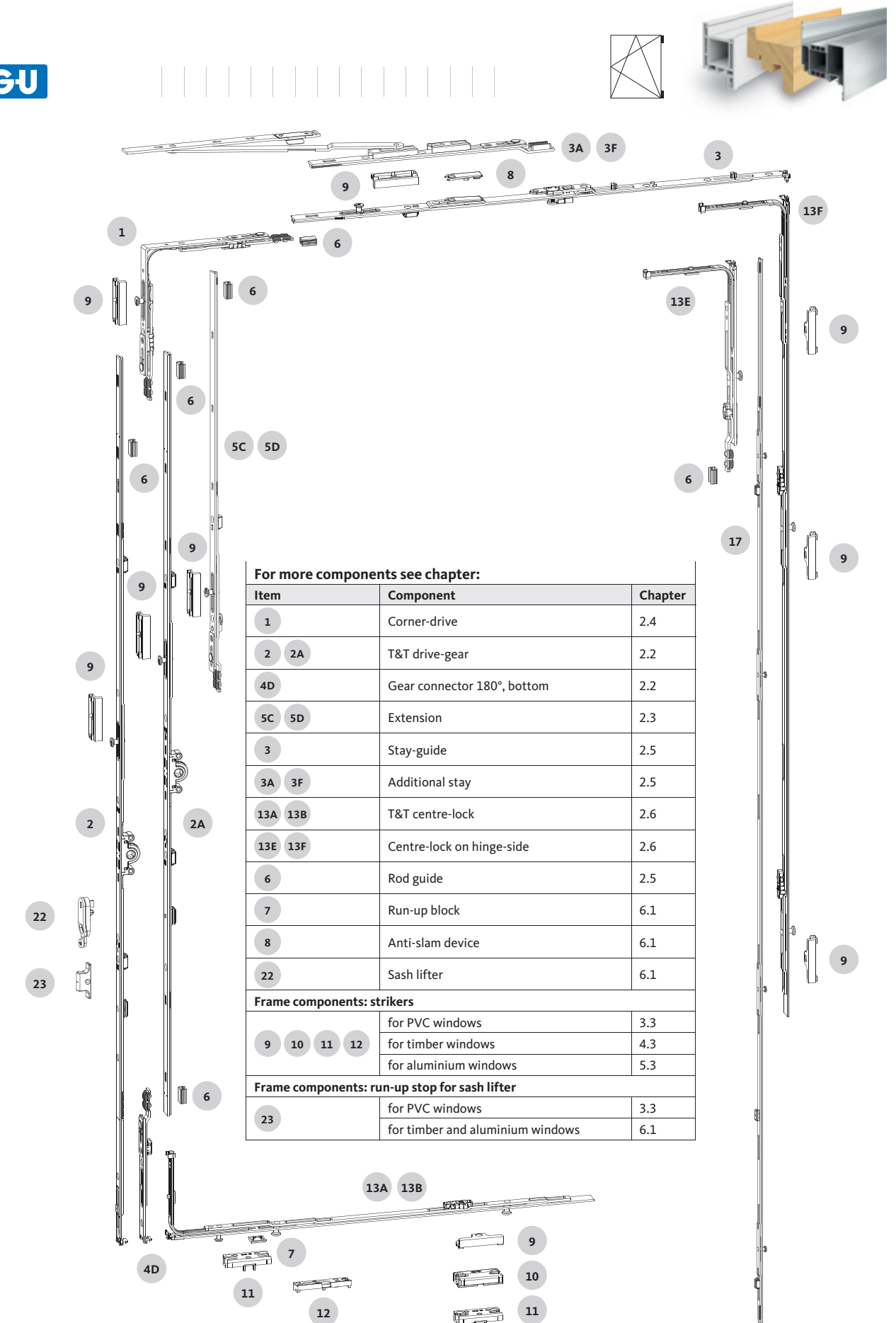
UNI-JET central locking system – basic security

Tilt&Turn / Tilt-First sash – fixed / variable handle height



2.1 Overview of sets

| | |
|--|-----|
| 2.1.1 Tilt&Turn / Tilt-First sash – basic security Fixed / variable handle height | 70 |
| 2.1.2 Tilt&Turn / Tilt-First sash – RC2 Fixed / variable handle height | 78 |
| 2.1.3 Turn-Only sash – basic security Fixed / variable handle height | 86 |
| 2.1.4 Tilt-Only sash – basic security Variable handle height | 90 |
| 2.1.5 Pitched window Tilt&Turn sash – basic security Fixed / variable handle height | 94 |
| 2.1.6 Arched window, Tilt&Turn sash – basic security Fixed / variable handle height | 98 |
| 2.1.7 Dummy-mullion sash with ZH lever-operated gear – basic security Fixed / variable handle height | 102 |
| 2.1.8 Dummy-mullion sash with ZH lever-operated gear – RC2 Fixed / variable handle height | 106 |

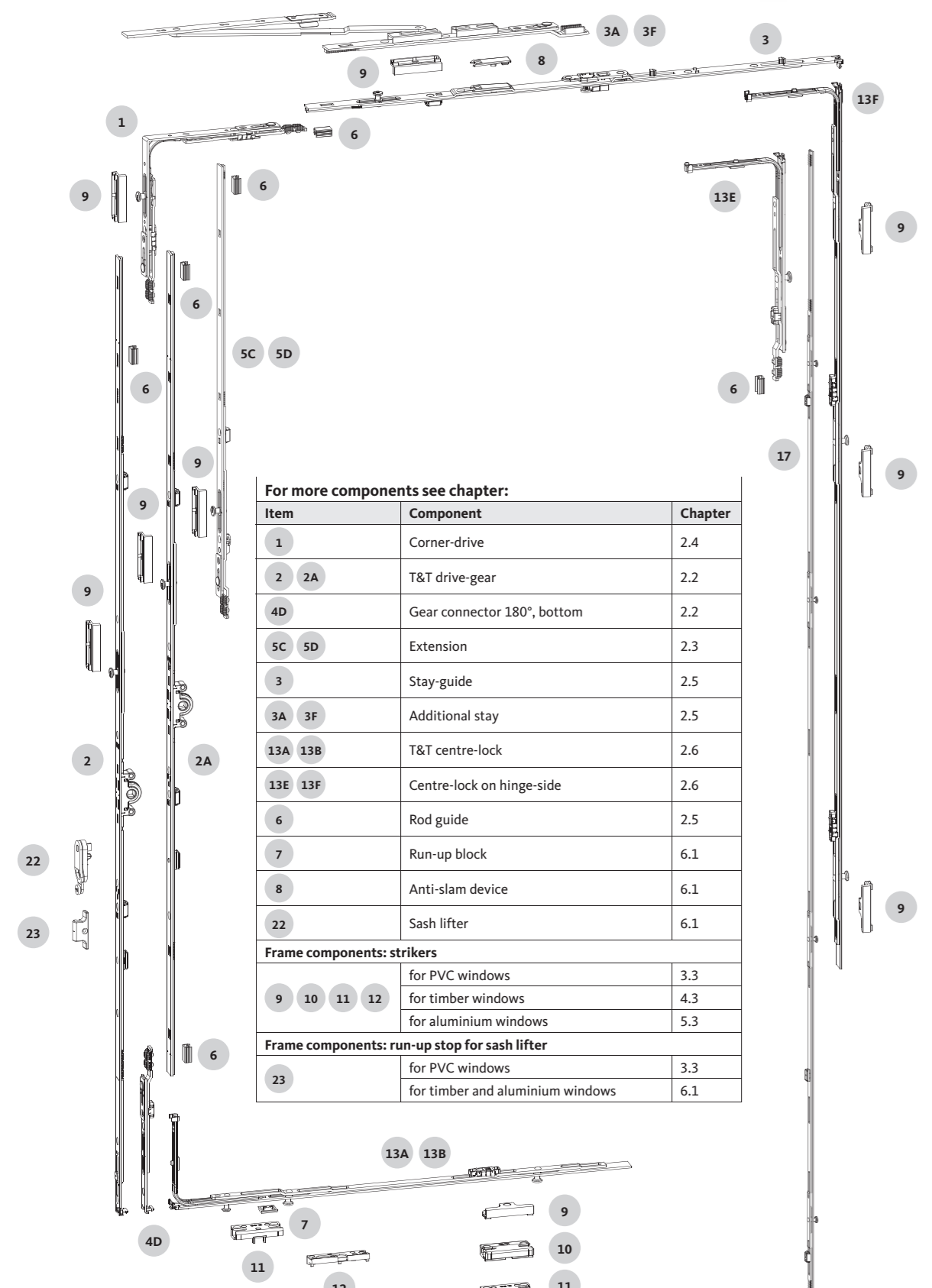


For more components see chapter:

| Item | Component | Chapter |
|--|----------------------------------|---------|
| 1 | Corner-drive | 2.4 |
| 2 2A | T&T drive-gear | 2.2 |
| 4D | Gear connector 180°, bottom | 2.2 |
| 5C 5D | Extension | 2.3 |
| 3 | Stay-guide | 2.5 |
| 3A 3F | Additional stay | 2.5 |
| 13A 13B | T&T centre-lock | 2.6 |
| 13E 13F | Centre-lock on hinge-side | 2.6 |
| 6 | Rod guide | 2.5 |
| 7 | Run-up block | 6.1 |
| 8 | Anti-slam device | 6.1 |
| 22 | Sash lifter | 6.1 |
| Frame components: strikers | | |
| 9 10 11 12 | for PVC windows | 3.3 |
| 9 10 11 12 | for timber windows | 4.3 |
| 9 10 11 12 | for aluminium windows | 5.3 |
| Frame components: run-up stop for sash lifter | | |
| 23 | for PVC windows | 3.3 |
| 23 | for timber and aluminium windows | 6.1 |

UNI-JET central locking system – basic security

Tilt&Turn / Tilt-First sash – fixed / variable handle height



For more components see chapter:

| Item | Component | Chapter |
|---------|-----------------------------|---------|
| 1 | Corner-drive | 2.4 |
| 2 2A | T&T drive-gear | 2.2 |
| 4D | Gear connector 180°, bottom | 2.2 |
| 5C 5D | Extension | 2.3 |
| 3 | Stay-guide | 2.5 |
| 3A 3F | Additional stay | 2.5 |
| 13A 13B | T&T centre-lock | 2.6 |
| 13E 13F | Centre-lock on hinge-side | 2.6 |
| 6 | Rod guide | 2.5 |
| 7 | Run-up block | 6.1 |
| 8 | Anti-slam device | 6.1 |
| 22 | Sash lifter | 6.1 |

Frame components: strikers

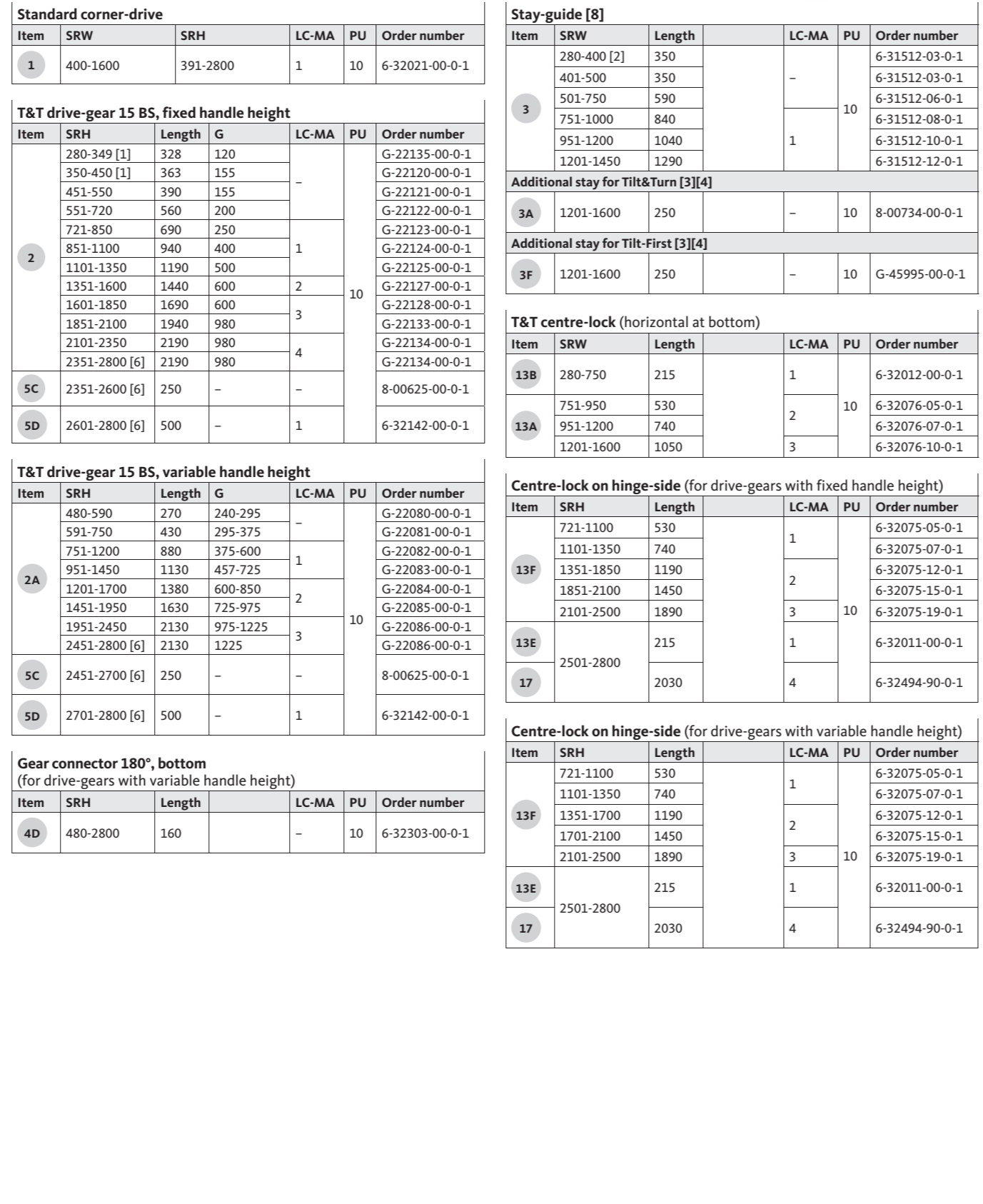
| | | |
|------------|-----------------------|-----|
| 9 10 11 12 | for PVC windows | 3.3 |
| | for timber windows | 4.3 |
| | for aluminium windows | 5.3 |

Frame components: run-up stop for sash lifter

| | | |
|----|----------------------------------|-----|
| 23 | for PVC windows | 3.3 |
| | for timber and aluminium windows | 6.1 |

UNI-JET central locking system – basic security

Tilt&Turn / Tilt-First sash – fixed / variable handle height



Standard corner-drive

| Item | SRW | SRH | LC-MA | PU | Order number |
|------|----------|----------|-------|----|----------------|
| 1 | 400-1600 | 391-2800 | 1 | 10 | 6-32021-00-0-1 |

T&T drive-gear 15 BS, fixed handle height

| Item | SRH | Length | G | LC-MA | PU | Order number |
|---------------|---------------|--------|----------------|----------------|----------------|----------------|
| 2 | 280-349 [1] | 328 | 120 | - | - | G-22135-00-0-1 |
| | 350-450 [1] | 363 | 155 | | | G-22120-00-0-1 |
| | 451-550 | 390 | 155 | | | G-22121-00-0-1 |
| | 551-720 | 560 | 200 | | | G-22122-00-0-1 |
| | 721-850 | 690 | 250 | | | G-22123-00-0-1 |
| | 851-1100 | 940 | 400 | | | G-22124-00-0-1 |
| | 1101-1350 | 1190 | 500 | | | G-22125-00-0-1 |
| | 1351-1600 | 1440 | 600 | | | G-22127-00-0-1 |
| | 1601-1850 | 1690 | 600 | | | G-22128-00-0-1 |
| | 1851-2100 | 1940 | 980 | | | G-22133-00-0-1 |
| 2101-2350 | 2190 | 980 | G-22134-00-0-1 | | | |
| 2351-2800 [6] | 2190 | 980 | 4 | G-22134-00-0-1 | | |
| 5C | 2351-2600 [6] | 250 | - | - | 8-00625-00-0-1 | |
| 5D | 2601-2800 [6] | 500 | - | 1 | 6-32142-00-0-1 | |

T&T drive-gear 15 BS, variable handle height

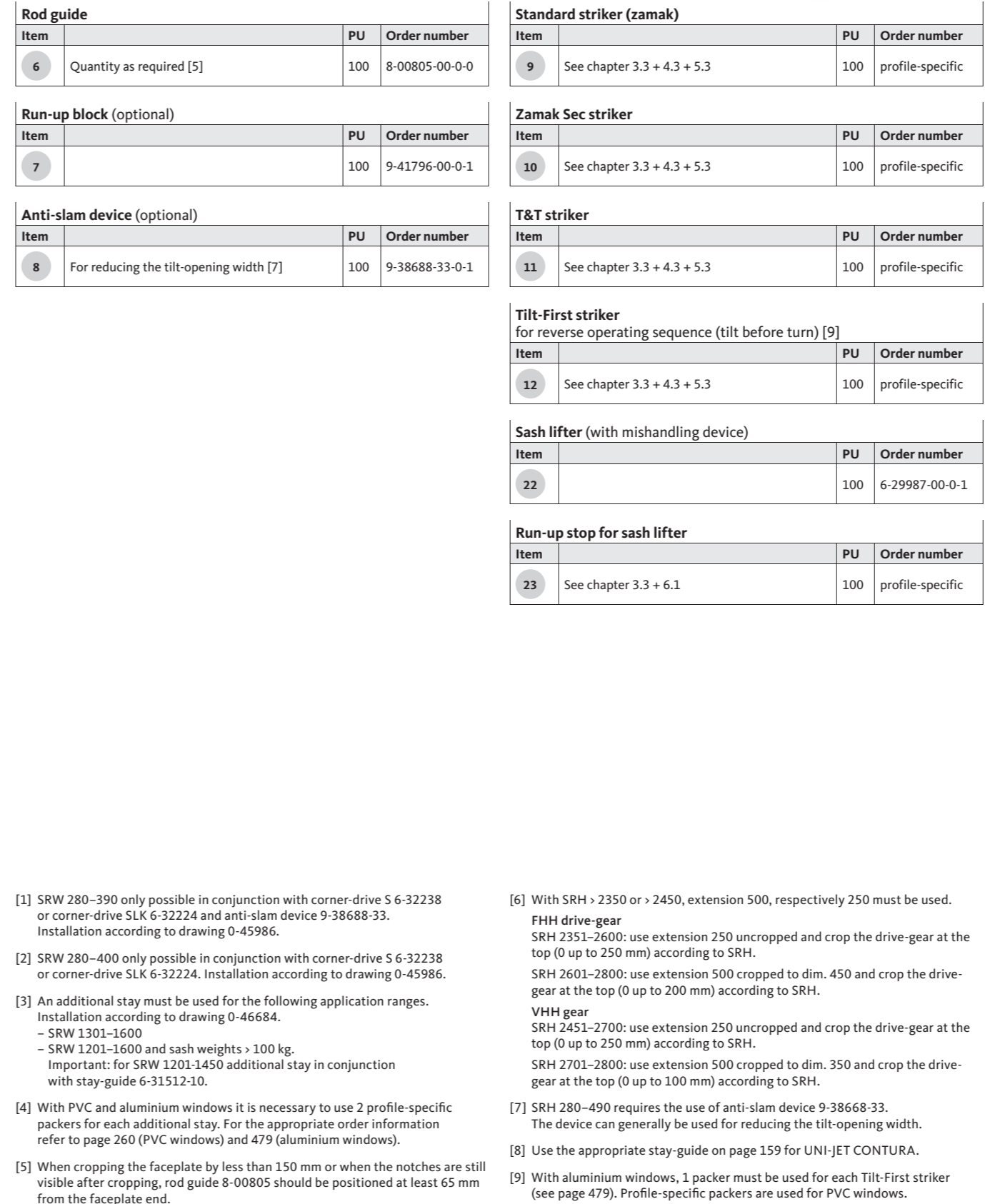
| Item | SRH | Length | G | LC-MA | PU | Order number | | |
|------|---------------|---------------|----------|-------|----|----------------|----------------|----------------|
| 2A | 480-590 | 270 | 240-295 | - | - | G-22080-00-0-1 | | |
| | 591-750 | 430 | 295-375 | | | G-22081-00-0-1 | | |
| | 751-1200 | 880 | 375-600 | | | G-22082-00-0-1 | | |
| | 951-1450 | 1130 | 457-725 | | | G-22083-00-0-1 | | |
| | 1201-1700 | 1380 | 600-850 | | | G-22084-00-0-1 | | |
| | 1451-1950 | 1630 | 725-975 | | | G-22085-00-0-1 | | |
| | 1951-2450 | 2130 | 975-1225 | | | G-22086-00-0-1 | | |
| | 2451-2800 [6] | 2130 | 1225 | | | 3 | G-22086-00-0-1 | |
| | 5C | 2451-2700 [6] | 250 | | | - | - | 8-00625-00-0-1 |
| | 5D | 2701-2800 [6] | 500 | | | - | 1 | 6-32142-00-0-1 |

Gear connector 180°, bottom (for drive-gears with variable handle height)

| Item | SRH | Length | LC-MA | PU | Order number |
|------|----------|--------|-------|----|----------------|
| 4D | 480-2800 | 160 | - | 10 | 6-32303-00-0-1 |

UNI-JET central locking system – basic security

Tilt&Turn / Tilt-First sash – fixed / variable handle height



Rod guide

| Item | PU | Order number |
|------|--------------------------|--------------------|
| 6 | Quantity as required [5] | 100 8-00805-00-0-0 |

Run-up block (optional)

| Item | PU | Order number |
|------|-----|----------------|
| 7 | 100 | 9-41796-00-0-1 |

Anti-slam device (optional)

| Item | PU | Order number |
|------|-----|----------------|
| 8 | 100 | 9-38688-33-0-1 |

Standard striker (zamak)

| Item | PU | Order number |
|------|-----------------------------|----------------------|
| 9 | See chapter 3.3 + 4.3 + 5.3 | 100 profile-specific |

Zamak Sec striker

| Item | PU | Order number |
|------|-----------------------------|----------------------|
| 10 | See chapter 3.3 + 4.3 + 5.3 | 100 profile-specific |

T&T striker

| Item | PU | Order number |
|------|-----------------------------|----------------------|
| 11 | See chapter 3.3 + 4.3 + 5.3 | 100 profile-specific |

Tilt-First striker for reverse operating sequence (tilt before turn) [9]

| Item | PU | Order number |
|------|-----------------------------|----------------------|
| 12 | See chapter 3.3 + 4.3 + 5.3 | 100 profile-specific |

Sash lifter (with mishandling device)

| Item | PU | Order number |
|------|-----|----------------|
| 22 | 100 | 6-29987-00-0-1 |

Run-up stop for sash lifter

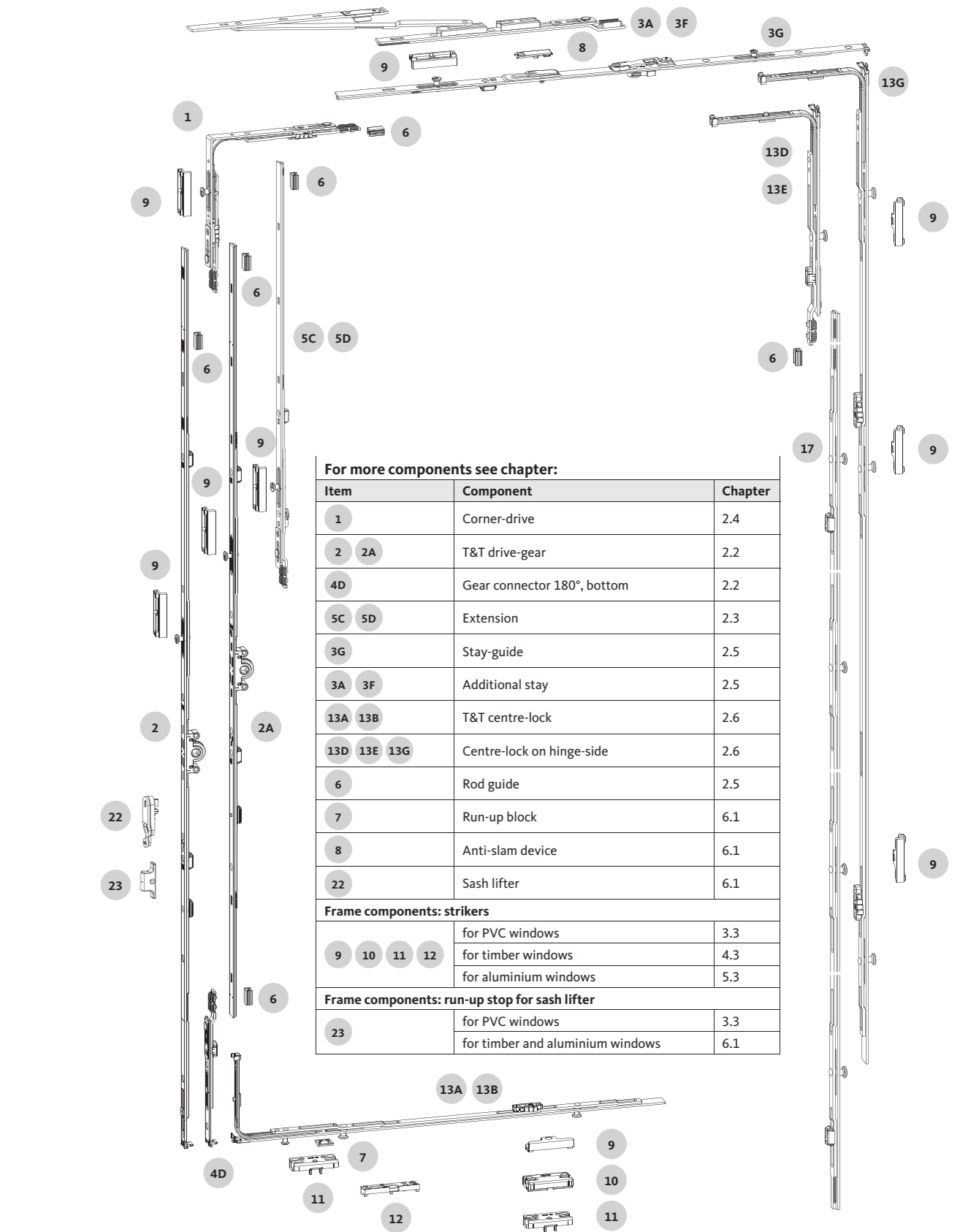
| Item | PU | Order number |
|------|-----------------------|----------------------|
| 23 | See chapter 3.3 + 6.1 | 100 profile-specific |

- [1] SRW 280–390 only possible in conjunction with corner-drive S 6-32238 or corner-drive SLK 6-32224 and anti-slam device 9-38688-33. Installation according to drawing 0-45986.
- [2] SRW 280–400 only possible in conjunction with corner-drive S 6-32238 or corner-drive SLK 6-32224. Installation according to drawing 0-45986.
- [3] An additional stay must be used for the following application ranges. Installation according to drawing 0-46684. – SRW 1301–1600 – SRW 1201–1600 and sash weights > 100 kg. Important: for SRW 1201-1450 additional stay in conjunction with stay-guide 6-31512-10.
- [4] With PVC and aluminium windows it is necessary to use 2 profile-specific packers for each additional stay. For the appropriate order information refer to page 260 (PVC windows) and 479 (aluminium windows).
- [5] When cropping the faceplate by less than 150 mm or when the notches are still visible after cropping, rod guide 8-00805 should be positioned at least 65 mm from the faceplate end.

- [6] With SRH > 2350 or > 2450, extension 500, respectively 250 must be used. **FHH drive-gear** SRH 2351–2600: use extension 250 uncropped and crop the drive-gear at the top (0 up to 250 mm) according to SRH. SRH 2601–2800: use extension 500 cropped to dim. 450 and crop the drive-gear at the top (0 up to 200 mm) according to SRH. **VHH gear** SRH 2451–2700: use extension 250 uncropped and crop the drive-gear at the top (0 up to 250 mm) according to SRH. SRH 2701–2800: use extension 500 cropped to dim. 350 and crop the drive-gear at the top (0 up to 100 mm) according to SRH.
- [7] SRH 280–490 requires the use of anti-slam device 9-38668-33. The device can generally be used for reducing the tilt-opening width.
- [8] Use the appropriate stay-guide on page 159 for UNI-JET CONTURA.
- [9] With aluminium windows, 1 packer must be used for each Tilt-First striker (see page 479). Profile-specific packers are used for PVC windows.

UNI-JET SCF/CC central locking system – basic security

Tilt&Turn / Tilt-First sash – fixed / variable handle height



Standard corner-drive

| Item | SRW | SRH | LC-MA | PU | Order number |
|------|----------|----------|-------|----|----------------|
| 1 | 400-1600 | 391-2800 | 1 | 10 | 6-32021-00-0-1 |

T&T drive-gear 15 BS, fixed handle height

| Item | SRH | Length | G | LC-MA | PU | Order number |
|---------------|---------------|--------|----------------|----------------|----------------|----------------|
| 2 | 280-349 [1] | 328 | 120 | - | - | G-22135-00-0-1 |
| | 350-450 [1] | 363 | 155 | | | G-22120-00-0-1 |
| | 451-550 | 390 | 155 | | | G-22121-00-0-1 |
| | 551-720 | 560 | 200 | | | G-22122-00-0-1 |
| | 721-850 | 690 | 250 | | | G-22123-00-0-1 |
| | 851-1100 | 940 | 400 | | | G-22124-00-0-1 |
| | 1101-1350 | 1190 | 500 | | | G-22125-00-0-1 |
| | 1351-1600 | 1440 | 600 | | | G-22127-00-0-1 |
| | 1601-1850 | 1690 | 600 | | | G-22128-00-0-1 |
| | 1851-2100 | 1940 | 980 | | | G-22133-00-0-1 |
| 2101-2350 | 2190 | 980 | G-22134-00-0-1 | | | |
| 2351-2800 [6] | 2190 | 980 | 4 | G-22134-00-0-1 | | |
| 5C | 2351-2600 [6] | 250 | - | - | 8-00625-00-0-1 | |
| 5D | 2601-2800 [6] | 500 | - | 1 | 6-32142-00-0-1 | |

T&T drive-gear 15 BS, variable handle height

| Item | SRH | Length | G | LC-MA | PU | Order number | | |
|------|---------------|---------------|----------|-------|----|----------------|----------------|----------------|
| 2A | 480-590 | 270 | 240-295 | - | - | G-22080-00-0-1 | | |
| | 591-750 | 430 | 295-375 | | | G-22081-00-0-1 | | |
| | 751-1200 | 880 | 375-600 | | | G-22082-00-0-1 | | |
| | 951-1450 | 1130 | 457-725 | | | G-22083-00-0-1 | | |
| | 1201-1700 | 1380 | 600-850 | | | G-22084-00-0-1 | | |
| | 1451-1950 | 1630 | 725-975 | | | G-22085-00-0-1 | | |
| | 1951-2450 | 2130 | 975-1225 | | | G-22086-00-0-1 | | |
| | 2451-2800 [6] | 2130 | 1225 | | | 3 | G-22086-00-0-1 | |
| | 5C | 2451-2700 [6] | 250 | | | - | - | 8-00625-00-0-1 |
| | 5D | 2701-2800 [6] | 500 | | | - | 1 | 6-32142-00-0-1 |

Gear connector 180°, bottom (for drive-gears with variable handle height)

| Item | SRH | Length | LC-MA | PU | Order number |
|------|----------|--------|-------|----|----------------|
| 4D | 480-2800 | 160 | - | 10 | 6-32303-00-0-1 |

For more components see chapter:

| Item | Component | Chapter |
|-------------|-----------------------------|---------|
| 1 | Corner-drive | 2.4 |
| 2 2A | T&T drive-gear | 2.2 |
| 4D | Gear connector 180°, bottom | 2.2 |
| 5C 5D | Extension | 2.3 |
| 3 | Stay-guide | 2.5 |
| 3A 3F | Additional stay | 2.5 |
| 13A 13B | T&T centre-lock | 2.6 |
| 13D 13E 13G | Centre-lock on hinge-side | 2.6 |
| 6 | Rod guide | 2.5 |
| 7 | Run-up block | 6.1 |
| 8 | Anti-slam device | 6.1 |
| 22 | Sash lifter | 6.1 |

Frame components: strikers

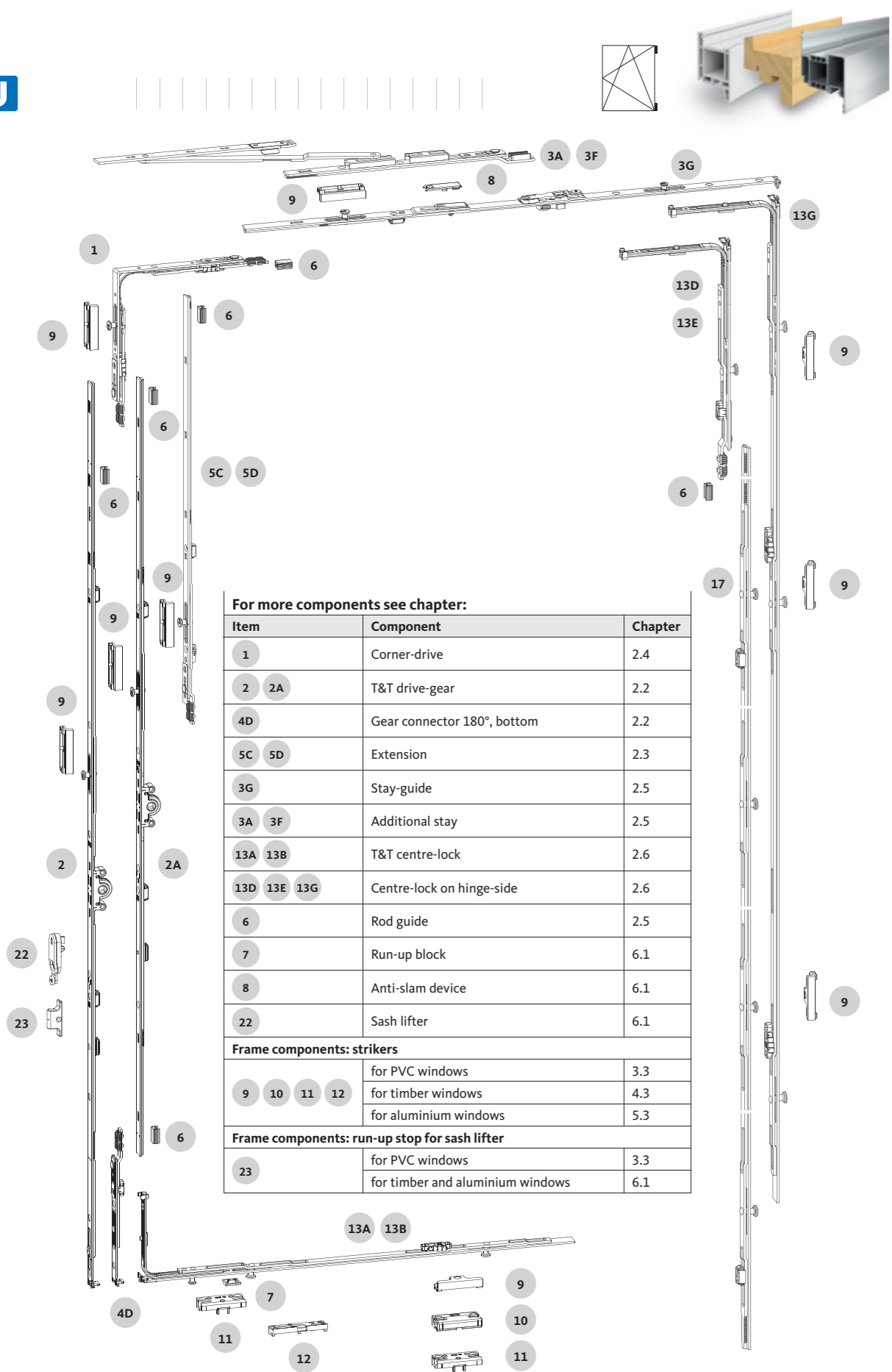
| | | |
|------------|-----------------------|-----|
| 9 10 11 12 | for PVC windows | 3.3 |
| | for timber windows | 4.3 |
| | for aluminium windows | 5.3 |

Frame components: run-up stop for sash lifter

| | | |
|----|----------------------------------|-----|
| 23 | for PVC windows | 3.3 |
| | for timber and aluminium windows | 6.1 |

UNI-JET SCF/CC central locking system – basic security

Tilt&Turn / Tilt-First sash – fixed / variable handle height



For more components see chapter:

| Item | Component | Chapter |
|-------------|-----------------------------|---------|
| 1 | Corner-drive | 2.4 |
| 2 2A | T&T drive-gear | 2.2 |
| 4D | Gear connector 180°, bottom | 2.2 |
| 5C 5D | Extension | 2.3 |
| 3G | Stay-guide | 2.5 |
| 3A 3F | Additional stay | 2.5 |
| 13A 13B | T&T centre-lock | 2.6 |
| 13D 13E 13G | Centre-lock on hinge-side | 2.6 |
| 6 | Rod guide | 2.5 |
| 7 | Run-up block | 6.1 |
| 8 | Anti-slam device | 6.1 |
| 22 | Sash lifter | 6.1 |

Frame components: strikers

| | | |
|------------|-----------------------|-----|
| 9 10 11 12 | for PVC windows | 3.3 |
| | for timber windows | 4.3 |
| | for aluminium windows | 5.3 |

Frame components: run-up stop for sash lifter

| | | |
|----|----------------------------------|-----|
| 23 | for PVC windows | 3.3 |
| | for timber and aluminium windows | 6.1 |

UNI-JET SCF/CC central locking system – basic security

Tilt&Turn / Tilt-First sash – fixed / variable handle height



Standard corner-drive

| Item | SRW | SRH | LC-MA | PU | Order number |
|------|----------|----------|-------|----|----------------|
| 1 | 390-1400 | 390-2800 | 1 | 10 | 6-32021-00-0-1 |

T&T drive-gear 15 BS, fixed handle height

| Item | SRH | Length | G | LC-MA | PU | Order number |
|---------------|---------------|--------|----------------|-------|----|----------------|
| 2 | 280-349 [1] | 328 | 120 | - | - | G-22135-00-0-1 |
| | 350-450 [1] | 363 | 155 | | | G-22120-00-0-1 |
| | 451-550 | 390 | 155 | | | G-22121-00-0-1 |
| | 551-720 | 560 | 200 | | | G-22122-00-0-1 |
| | 721-850 | 690 | 250 | | | G-22123-00-0-1 |
| | 851-1100 | 940 | 400 | | | G-22124-00-0-1 |
| | 1101-1350 | 1190 | 500 | | | G-22125-00-0-1 |
| | 1351-1600 | 1440 | 600 | | | G-22127-00-0-1 |
| | 1601-1850 | 1690 | 600 | | | G-22128-00-0-1 |
| | 1851-2100 | 1940 | 980 | | | G-22133-00-0-1 |
| 2101-2350 | 2190 | 980 | G-22134-00-0-1 | | | |
| 2351-2800 [7] | 2190 | 980 | G-22134-00-0-1 | | | |
| 5C | 2351-2600 [7] | 250 | - | - | - | 8-00625-00-0-1 |
| 5D | 2601-2800 [7] | 500 | - | 1 | - | 6-32142-00-0-1 |

T&T drive-gear 15 BS, variable handle height

| Item | SRH | Length | G | LC-MA | PU | Order number | | | |
|------|---------------|---------------|----------|-------|----|----------------|---|---|----------------|
| 2A | 480-590 | 270 | 240-295 | - | - | G-22080-00-0-1 | | | |
| | 591-750 | 430 | 295-375 | | | G-22081-00-0-1 | | | |
| | 751-1200 | 880 | 375-600 | | | G-22082-00-0-1 | | | |
| | 951-1450 | 1130 | 457-725 | | | G-22083-00-0-1 | | | |
| | 1201-1700 | 1380 | 600-850 | | | G-22084-00-0-1 | | | |
| | 1451-1950 | 1630 | 725-975 | | | G-22085-00-0-1 | | | |
| | 1951-2450 | 2130 | 975-1225 | | | G-22086-00-0-1 | | | |
| | 2451-2800 [7] | 2130 | 1225 | | | G-22086-00-0-1 | | | |
| | 5C | 2451-2700 [7] | 250 | | | - | - | - | 8-00625-00-0-1 |
| | 5D | 2701-2800 [7] | 500 | | | - | 1 | - | 6-32142-00-0-1 |

Gear connector 180°, bottom (for drive-gears with variable handle height)

| Item | SRH | Length | LC-MA | PU | Order number |
|------|----------|--------|-------|----|----------------|
| 4D | 480-2800 | 160 | - | 10 | 6-32303-00-0-1 |

Stay-guide

| Item | SRW | Length | LC-MA | PU | Order number |
|------|-------------|--------|-------|----|----------------|
| 3G | 390-419 [2] | 590 | - | - | 6-39074-06-0-1 |
| | 420-500 [3] | 590 | | | 6-39074-06-0-1 |
| | 501-750 | 590 | | | 6-39074-06-0-1 |
| | 751-1000 | 840 | | | 6-39074-08-0-1 |
| | 951-1400 | 1040 | 1 | - | 6-39074-10-0-1 |

Additional stay for Tilt&Turn [4][5]

| | | | | | |
|----|-----------|-----|---|----|----------------|
| 3A | 1201-1400 | 250 | - | 10 | 8-00734-00-0-1 |
|----|-----------|-----|---|----|----------------|

Additional stay for Tilt-First [4][5]

| | | | | | |
|----|-----------|-----|---|----|----------------|
| 3F | 1201-1400 | 250 | - | 10 | G-45995-00-0-1 |
|----|-----------|-----|---|----|----------------|

T&T centre-lock (horizontal at bottom)

| Item | SRW | Length | LC-MA | PU | Order number |
|------|-----------|--------|-------|----|----------------|
| 13B | 390-750 | 215 | 1 | - | 6-32012-00-0-1 |
| | 751-960 | 530 | 2 | 10 | 6-32076-05-0-1 |
| | 961-1270 | 740 | 3 | - | 6-32076-07-0-1 |
| 13A | 1271-1400 | 1050 | 3 | - | 6-32076-10-0-1 |

Centre-lock on hinge-side (for drive-gears with fixed handle height)

| Item | SRH | Length | LC-MA | PU | Order number | |
|------|-----------|-----------|-------|----|----------------|----------------|
| 13D | 360-720 | 215 | 1 | - | 6-32010-00-0-1 | |
| | 721-1100 | 530 | 2 | - | 6-32008-05-0-1 | |
| | | 1101-1350 | | | 740 | 6-32008-07-0-1 |
| | 13G | 1351-1850 | 1190 | 3 | - | 6-32008-12-0-1 |
| | | 1851-2100 | 1450 | 4 | 10 | 6-32008-15-0-1 |
| | | 2101-2500 | 1890 | 4 | - | 6-32008-19-0-1 |
| 13E | 2501-2800 | 215 | 1 | - | 6-32011-00-0-1 | |
| | | 2030 | 4 | - | 6-32494-90-0-1 | |

Centre-lock on hinge-side (for drive-gears with variable handle height)

| Item | SRH | Length | LC-MA | PU | Order number | |
|------|-----------|-----------|-------|----|----------------|----------------|
| 13D | 480-720 | 215 | 1 | - | 6-32010-00-0-1 | |
| | 721-1100 | 530 | 2 | - | 6-32008-05-0-1 | |
| | | 1101-1350 | | | 740 | 6-32008-07-0-1 |
| | 13G | 1351-1700 | 1190 | 3 | 10 | 6-32008-12-0-1 |
| | | 1701-2100 | 1450 | 4 | - | 6-32008-15-0-1 |
| | 2101-2500 | 1890 | 4 | - | 6-32008-19-0-1 | |
| 13E | 2501-2800 | 215 | 1 | - | 6-32011-00-0-1 | |
| | | 2030 | 4 | - | 6-32494-90-0-1 | |

UNI-JET SCF/CC central locking system – basic security

Tilt&Turn / Tilt-First sash – fixed / variable handle height



Rod guide

| Item | Quantity as required [6] | PU | Order number |
|------|--------------------------|-----|----------------|
| 6 | | 100 | 8-00805-00-0-0 |

Run-up block (optional)

| Item | PU | Order number |
|------|-----|----------------|
| 7 | 100 | 9-41796-00-0-1 |

Anti-slam device (optional)

| Item | PU | Order number |
|------|-----|----------------|
| 8 | 100 | 9-38688-33-0-1 |

Standard striker (zamak)

| Item | PU | Order number | |
|------|-----------------------------|--------------|------------------|
| 9 | See chapter 3.3 + 4.3 + 5.3 | 100 | profile-specific |

Zamak Sec striker

| Item | PU | Order number | |
|------|-----------------------------|--------------|------------------|
| 10 | See chapter 3.3 + 4.3 + 5.3 | 100 | profile-specific |

T&T striker

| Item | PU | Order number | |
|------|-----------------------------|--------------|------------------|
| 11 | See chapter 3.3 + 4.3 + 5.3 | 100 | profile-specific |

Tilt-First striker for reverse operating sequence (tilt before turn) [9]

| Item | PU | Order number | |
|------|-----------------------------|--------------|------------------|
| 12 | See chapter 3.3 + 4.3 + 5.3 | 100 | profile-specific |

Sash lifter (with mishandling device)

| Item | PU | Order number |
|------|-----|----------------|
| 22 | 100 | 6-29987-00-0-1 |

Run-up stop for sash lifter

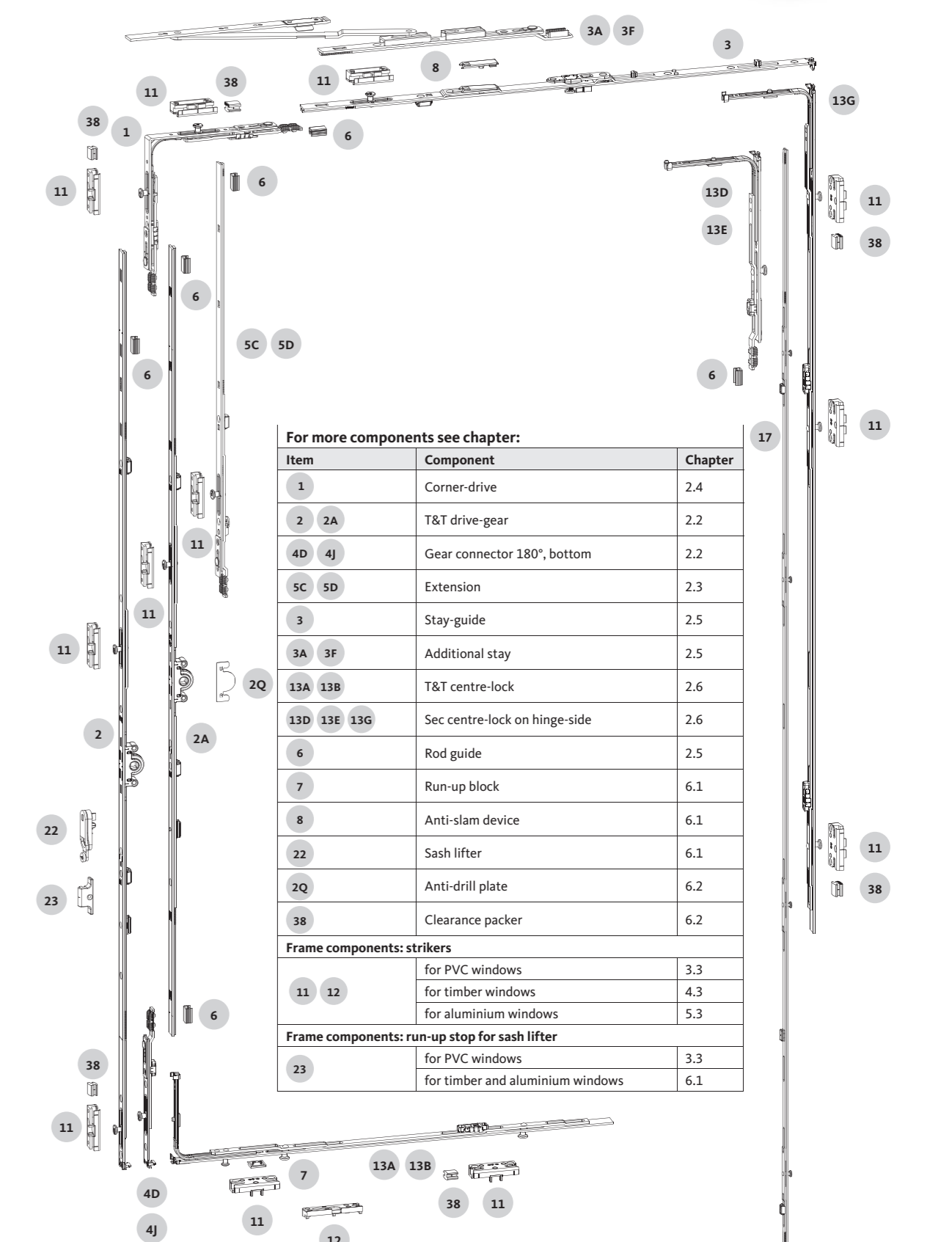
| Item | PU | Order number | |
|------|-----------------------|--------------|------------------|
| 23 | See chapter 3.3 + 6.1 | 100 | profile-specific |

- [1] SRW 280–390 only possible in conjunction with corner-drive S 6-32238 or corner-drive SLK 6-32224 and anti-slam device 9-38688-33. Installation according to drawing 0-45986.
- [2] If the centre fixing (at the connecting rod) is detached and removed from the connecting rod prior to assembly of the stay guide (in conjunction with corner-drive S 6-32238 or corner-drive SLK 6-32224), the SRW can be reduced to 390–419.
- [3] SRW 420–500 only possible in conjunction with corner-drive S 6-32238 or corner-drive SLK 6-32224. Installation according to drawing 0-45986.
- [4] Use additional stay with SRW 1201–1400. Installation according to drawing 0-46684.
- [5] With PVC and aluminium windows it is necessary to use 2 profile-specific packers for each additional stay. For the appropriate order information refer to page 260 (PVC windows) and 479 (aluminium windows).

- [6] When cropping the faceplate by less than 150 mm or when the notches are still visible after cropping, rod guide 8-00805 should be positioned at least 65 mm from the faceplate end.
- [7] With SRH > 2350 or > 2450, extension 500, respectively 250 must be used.
FHH drive-gear
SRH 2351–2600: use extension 250 uncropped and crop the drive-gear at the top (0 up to 250 mm) according to SRH.
SRH 2601–2800: use extension 500 cropped to dim. 450 and crop the drive-gear at the top (0 up to 200 mm) according to SRH.
VHH gear
SRH 2451–2700: use extension 250 uncropped and crop the drive-gear at the top (0 up to 250 mm) according to SRH.
SRH 2701–2800: use extension 500 cropped to dim. 350 and crop the drive-gear at the top (0 up to 100 mm) according to SRH.
- [8] SRH 280–490 requires the use of anti-slam device 9-38668-33. The device can generally be used for reducing the tilt-opening width.
- [9] With aluminium windows, 1 packer must be used for each Tilt-First striker (see page 479). Profile-specific packers are used for PVC windows.

UNI-JET central locking system – RC2

Tilt&Turn / Tilt-First sash – fixed / variable handle height



For more components see chapter:

| Item | Component | Chapter |
|-------------|-------------------------------|---------|
| 1 | Corner-drive | 2.4 |
| 2 2A | T&T drive-gear | 2.2 |
| 4D 4J | Gear connector 180°, bottom | 2.2 |
| 5C 5D | Extension | 2.3 |
| 3 | Stay-guide | 2.5 |
| 3A 3F | Additional stay | 2.5 |
| 13A 13B | T&T centre-lock | 2.6 |
| 13D 13E 13G | Sec centre-lock on hinge-side | 2.6 |
| 6 | Rod guide | 2.5 |
| 7 | Run-up block | 6.1 |
| 8 | Anti-slam device | 6.1 |
| 22 | Sash lifter | 6.1 |
| 2Q | Anti-drill plate | 6.2 |
| 38 | Clearance packer | 6.2 |

Frame components: strikers

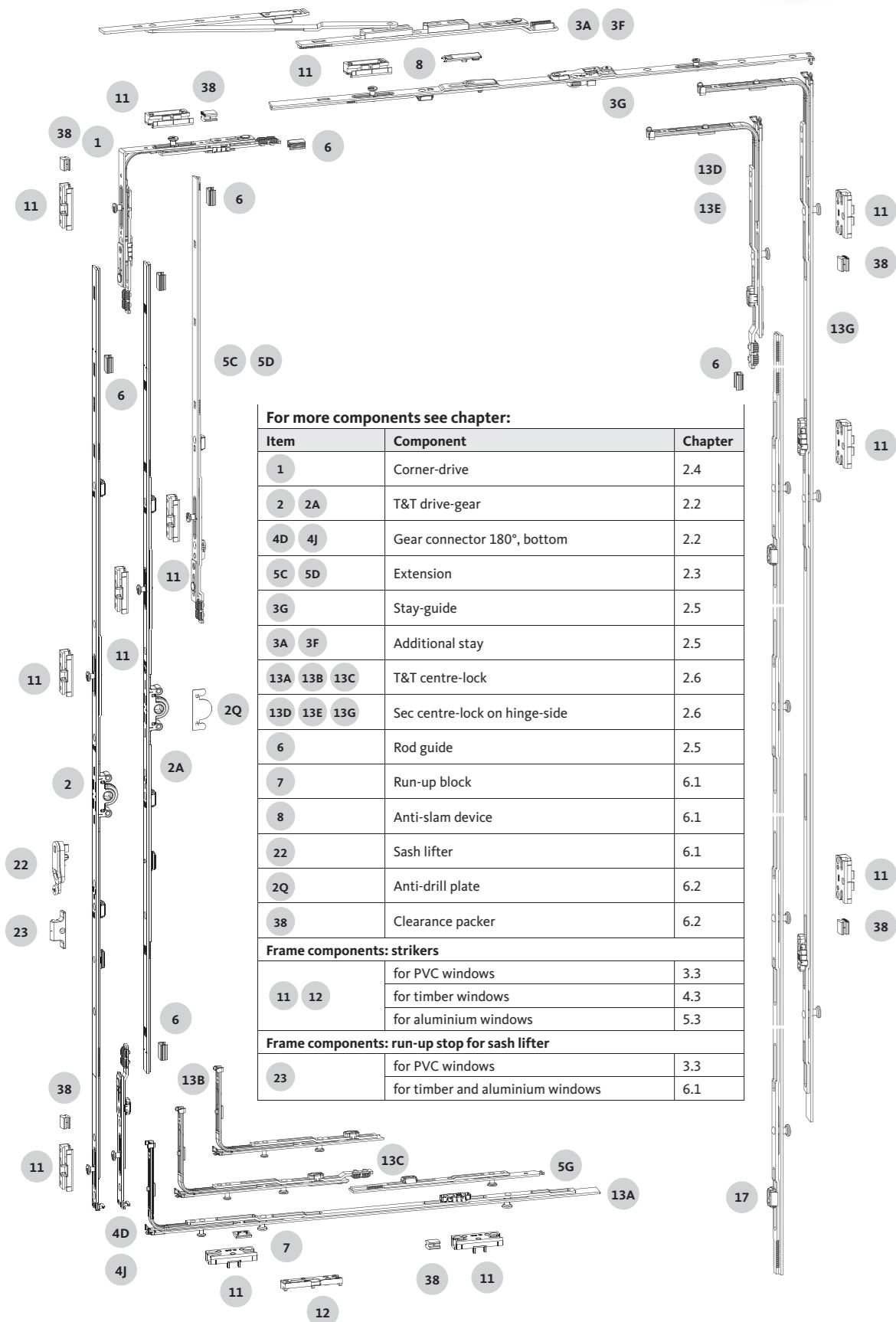
| | | |
|-------|-----------------------|-----|
| 11 12 | for PVC windows | 3.3 |
| | for timber windows | 4.3 |
| | for aluminium windows | 5.3 |

Frame components: run-up stop for sash lifter

| | | |
|----|----------------------------------|-----|
| 23 | for PVC windows | 3.3 |
| | for timber and aluminium windows | 6.1 |

UNI-JET SCF/CC central locking system – RC2

Tilt&Turn / Tilt-First sash – fixed / variable handle height



For more components see chapter:

| Item | Component | Chapter |
|--|----------------------------------|---------|
| 1 | Corner-drive | 2.4 |
| 2 | T&T drive-gear | 2.2 |
| 4D 4J | Gear connector 180°, bottom | 2.2 |
| 5C 5D | Extension | 2.3 |
| 3G | Stay-guide | 2.5 |
| 3A 3F | Additional stay | 2.5 |
| 13A 13B 13C | T&T centre-lock | 2.6 |
| 13D 13E 13G | Sec centre-lock on hinge-side | 2.6 |
| 6 | Rod guide | 2.5 |
| 7 | Run-up block | 6.1 |
| 8 | Anti-slam device | 6.1 |
| 22 | Sash lifter | 6.1 |
| 2Q | Anti-drill plate | 6.2 |
| 38 | Clearance packer | 6.2 |
| Frame components: strikers | | |
| 11 12 | for PVC windows | 3.3 |
| | for timber windows | 4.3 |
| | for aluminium windows | 5.3 |
| Frame components: run-up stop for sash lifter | | |
| 23 | for PVC windows | 3.3 |
| | for timber and aluminium windows | 6.1 |

UNI-JET SCF/CC central locking system – RC2

Tilt&Turn / Tilt-First sash – fixed / variable handle height



| Security corner-drive (RC2) | | | | | | |
|-----------------------------|----------|----------|-------|----|----------------|--|
| Item | SRW | SRH | LC-MA | PU | Order number | |
| 1 | 500-1400 | 450-2800 | 2 | 10 | 6-31753-00-0-1 | |

| T&T drive-gear 15 BS, fixed handle height | | | | | | |
|---|---------------|--------|-----|-------|----|----------------|
| Item | SRH | Length | G | LC-MA | PU | Order number |
| 2 | 450-550 [1] | 390 | 155 | 1 | 10 | 6-33218-00-0-1 |
| | 551-720 [1] | 560 | 200 | | | 6-33219-00-0-1 |
| | 721-850 [1] | 690 | 250 | 2 | | 6-33220-00-0-1 |
| | 450-550 | 390 | 155 | - | | G-22121-00-0-1 |
| | 551-720 | 560 | 200 | | | G-22122-00-0-1 |
| | 721-850 | 690 | 250 | 1 | | G-22123-00-0-1 |
| | 851-1100 | 940 | 400 | | | G-22124-00-0-1 |
| | 1101-1350 | 1190 | 500 | 3 | | G-22125-00-0-1 |
| | 1351-1600 | 1440 | 600 | | | G-22127-00-0-1 |
| | 1601-1850 | 1690 | 600 | 3 | | G-22128-00-0-1 |
| | 1851-2100 | 1940 | 980 | | | G-22133-00-0-1 |
| | 2101-2350 | 2190 | 980 | 4 | | G-22134-00-0-1 |
| | 2351-2800 [7] | 2190 | 980 | | | G-22134-00-0-1 |

| Item | SRW | SRH | LC-MA | PU | Order number |
|------|---------------|-----|-------|----|----------------|
| 5C | 2351-2600 [7] | 250 | - | - | 8-00625-00-0-1 |
| 5D | 2601-2800 [7] | 500 | - | 1 | 6-32142-00-0-1 |

| Gear connector 180°, bottom (for drive-gears with fixed handle height) | | | | | | |
|--|----------|--------|----------------|-------|----|----------------|
| Item | SRH | Length | Material | LC-MA | PU | Order number |
| 4J | 851-2800 | 160 | Timber windows | 1 | 10 | 6-33205-00-0-1 |

| T&T drive-gear 15 BS, variable handle height | | | | | | |
|--|---------------|--------|----------|-------|----|----------------|
| Item | SRH | Length | G | LC-MA | PU | Order number |
| 2A | 480-590 | 270 | 240-295 | - | 10 | G-22080-00-0-1 |
| | 591-750 | 430 | 295-375 | | | G-22081-00-0-1 |
| | 751-1200 | 880 | 375-600 | 1 | | G-22082-00-0-1 |
| | 951-1450 | 1130 | 457-725 | | | G-22083-00-0-1 |
| | 1201-1700 | 1380 | 600-850 | 2 | | G-22084-00-0-1 |
| | 1451-1950 | 1630 | 725-975 | | | G-22085-00-0-1 |
| | 1951-2450 | 2130 | 975-1225 | 3 | | G-22086-00-0-1 |
| | 2451-2800 [7] | 2130 | 1225 | | | G-22086-00-0-1 |

| Item | SRH | Length | Material | LC-MA | PU | Order number |
|------|---------------|--------|----------|-------|----|----------------|
| 5C | 2451-2700 [7] | 250 | - | - | - | 8-00625-00-0-1 |
| 5D | 2701-2800 [7] | 500 | - | 1 | - | 6-32142-00-0-1 |

| Gear connector 180°, bottom (for drive-gears with variable handle height) | | | | | | |
|---|----------|--------|----------------|-------|----|----------------|
| Item | SRH | Length | Material | LC-MA | PU | Order number |
| 4D | 480-2800 | 160 | PVC windows | - | 10 | 6-32303-00-0-1 |
| 4J | 480-2800 | | Timber windows | 1 | - | 6-33205-00-0-1 |

| Stay-guide | | | | | | |
|------------|----------|--------|-------|----|----------------|--|
| Item | SRW | Length | LC-MA | PU | Order number | |
| 3G | 501-750 | 590 | - | 10 | 6-39074-06-0-1 | |
| | 751-1000 | 840 | 1 | | 6-39074-08-0-1 | |
| | 951-1200 | 1040 | | | 6-39074-10-0-1 | |

| Additional stay for Tilt&Turn [4][5] | | | | | | |
|--------------------------------------|-----------|--------|-------|----|----------------|--|
| Item | SRW | Length | LC-MA | PU | Order number | |
| 3A | 1201-1400 | 250 | - | 10 | 8-00734-00-0-1 | |

| Additional stay for Tilt-First [4][5] | | | | | | |
|---------------------------------------|-----------|--------|-------|----|----------------|--|
| Item | SRW | Length | LC-MA | PU | Order number | |
| 3F | 1201-1400 | 250 | - | 10 | G-45995-00-0-1 | |

| T&T centre-lock for PVC windows (horizontal bottom) | | | | | | |
|---|---------|--------|-------|----|----------------|--|
| Item | SRW | Length | LC-MA | PU | Order number | |
| 13B | 500-750 | 215 | 1 | 10 | 6-32012-00-0-1 | |
| | 751-780 | 330 | | | 6-32076-03-0-1 | |

| T&T centre-lock for timber windows (horizontal bottom) | | | | | | |
|--|---------|--------|-------|----|----------------|--|
| Item | SRW | Length | LC-MA | PU | Order number | |
| 13A | 500-780 | 330 | 2 | 10 | 6-32076-03-0-1 | |

| T&T centre-lock C (coupleable) and extension for PVC and timber windows (horizontal bottom) | | | | | | |
|---|-----------|--------|-------|----|----------------|--|
| Item | SRW | Length | LC-MA | PU | Order number | |
| 13C | 781-1400 | 215 | 1 | 10 | 6-32013-00-0-1 | |
| | 781-980 | 440 | | | G-22385-03-0-1 | |
| | 981-1130 | 590 | | | G-22385-06-0-1 | |
| 5G | 1131-1400 | 840 | 2 | 10 | G-22385-08-0-1 | |

UNI-JET SCF/CC central locking system – RC2

Tilt&Turn / Tilt-First sash – fixed / variable handle height



| Hinge-side Sec centre-lock (with fixed handle height) | | | | | | |
|---|-------------|--------|-------|----|----------------|--|
| Item | SRH | Length | LC-MA | PU | Order number | |
| 13D | 450-720 [3] | 215 | 1 | 10 | 6-32010-00-0-1 | |
| | 450-720 [2] | 330 | | | 6-32008-03-0-1 | |
| | 721-1100 | 530 | | | 6-32008-05-0-1 | |
| | 1101-1350 | 740 | | | 6-32008-07-0-1 | |
| | 1351-1850 | 1190 | | | 6-32008-12-0-1 | |
| 13G | 1851-2100 | 1450 | 3 | 10 | 6-32008-15-0-1 | |
| | 2101-2500 | 1890 | | | 6-32008-19-0-1 | |
| 13E | 2501-2800 | 215 | 1 | 10 | 6-32011-00-0-1 | |
| | | 2030 | | | 6-32494-90-0-1 | |

| Hinge-side Sec centre-lock (with variable handle height) | | | | | | |
|--|-------------|--------|-------|----|----------------|--|
| Item | SRH | Length | LC-MA | PU | Order number | |
| 13D | 480-750 [3] | 215 | 1 | 10 | 6-32010-00-0-1 | |
| | 480-750 [2] | 330 | | | 6-32008-03-0-1 | |
| | 751-1100 | 530 | | | 6-32008-05-0-1 | |
| | 1101-1350 | 740 | | | 6-32008-07-0-1 | |
| | 1351-1700 | 1190 | | | 6-32008-12-0-1 | |
| 13G | 1701-2100 | 1450 | 3 | 10 | 6-32008-15-0-1 | |
| | 2101-2500 | 1890 | | | 6-32008-19-0-1 | |
| 13E | 2501-2800 | 215 | 1 | 10 | 6-32011-00-0-1 | |
| | | 2030 | | | 6-32494-90-0-1 | |

| Rod guide | | | | | | |
|-----------|-----|--------------------------|-------|-----|----------------|--|
| Item | SRW | Length | LC-MA | PU | Order number | |
| 6 | | Quantity as required [6] | | 100 | 8-00805-00-0-0 | |

| Run-up block (optional) | | | | | | |
|-------------------------|-----|--------|-------|-----|----------------|--|
| Item | SRW | Length | LC-MA | PU | Order number | |
| 7 | | | | 100 | 9-41796-00-0-1 | |

| Anti-slam device (optional) | | | | | | |
|-----------------------------|-----|--------|-------|-----|----------------|--|
| Item | SRW | Length | LC-MA | PU | Order number | |
| 8 | | | | 100 | 9-38688-33-0-1 | |

| Anti-drill plate (15 mm backset) | | | | | | |
|----------------------------------|-----|--------|-------|-----|----------------|--|
| Item | SRW | Length | LC-MA | PU | Order number | |
| 2Q | | | | 100 | 9-41749-00-0-0 | |

| Clearance packer | | | | | | |
|------------------|-----|--------|-------|-----|----------------|--|
| Item | SRW | Length | LC-MA | PU | Order number | |
| 38 | | | | 100 | 9-43219-00-0-1 | |

| Steel Sec striker (T&T striker) | | | | | | |
|---------------------------------|-----|--------|-------|-----|------------------|--|
| Item | SRW | Length | LC-MA | PU | Order number | |
| 11 | | | | 100 | profile-specific | |

| Tilt-First striker for reverse operating sequence (tilt before turn) [9] | | | | | | |
|--|-----|--------|-------|-----|------------------|--|
| Item | SRW | Length | LC-MA | PU | Order number | |
| 12 | | | | 100 | profile-specific | |

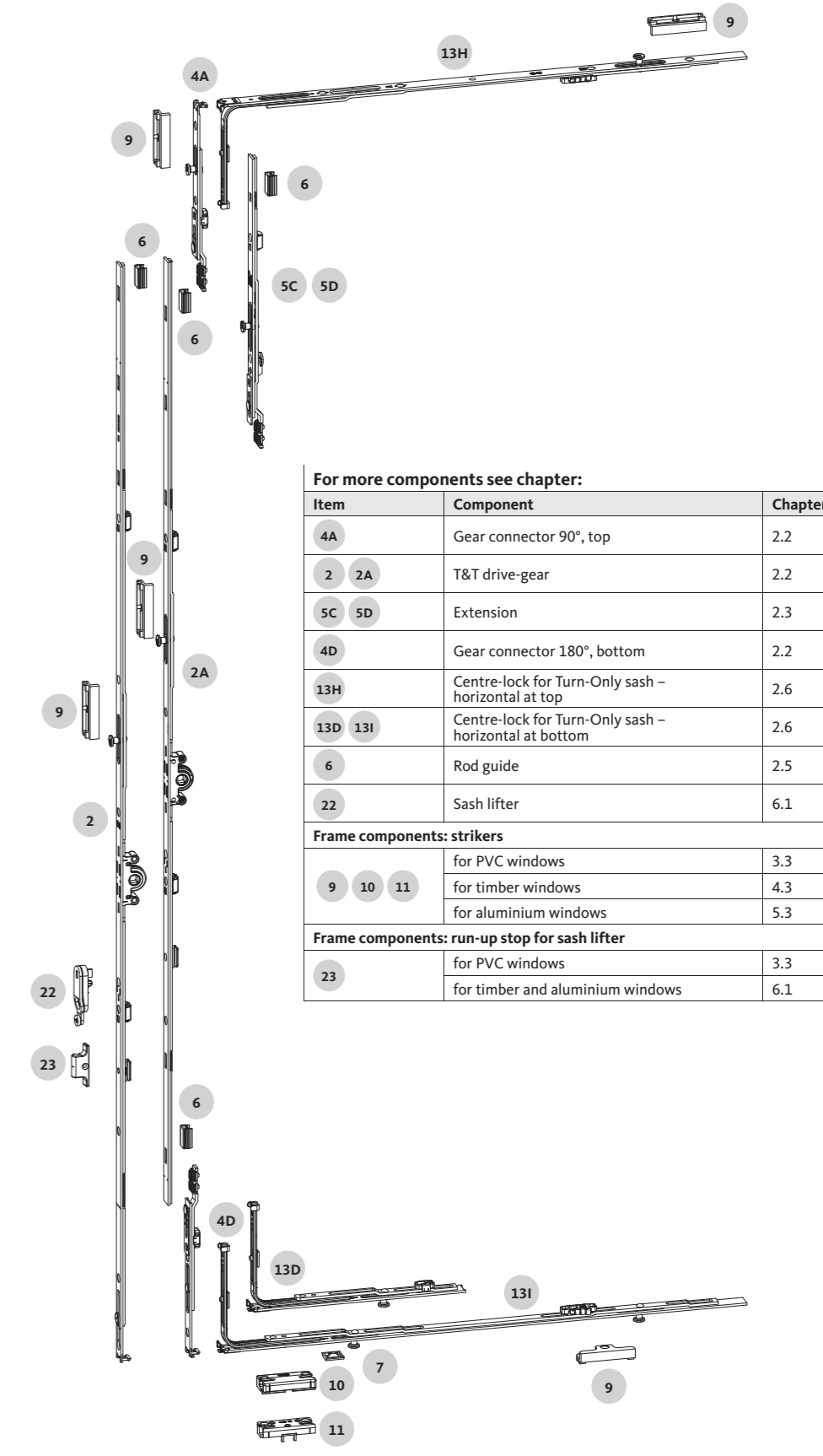
| Sash lifter (with mishandling device) | | | | | | |
|---------------------------------------|-----|--------|-------|-----|----------------|--|
| Item | SRW | Length | LC-MA | PU | Order number | |
| 22 | | | | 100 | 6-29987-00-0-1 | |

| Run-up stop for sash lifter | | | | | | |
|-----------------------------|-----|--------|-------|-----|------------------|--|
| Item | SRW | Length | LC-MA | PU | Order number | |
| 23 | | | | 100 | profile-specific | |

- [1] Timber windows
Sec T&T drive-gears must be used for SRH 450–850.
- [2] Timber windows
SRH 450–720 (FHH) and SRH 480–750 (VHH) require the use of centre-lock 6-32008-03-0-1.
- [3] PVC windows
SRH 450–720 (FHH) and SRH 480–750 (VHH) require the use of centre-lock 6-32012-00-0-1.
- [4] An additional stay must be used for the following application ranges.
Installation according to drawing 0-46684.
– SRW 1201–1400
– SRW 1150–1400 and sash weights > 100 kg
- [5] With PVC and aluminium windows it is necessary to use 2 profile-specific packers for each additional stay. For the appropriate order information refer to page 260 (PVC windows) and 479 (aluminium windows).
- [6] When cropping the faceplate by less than 150 mm or when the notches are still visible after cropping, rod guide 8-00805 should be positioned at least 65 mm from the faceplate end.
- [7] With SRH > 2350 or > 2450, extension 500, respectively 250 must be used.
FHH drive-gear
SRH 2351–2600: use extension 250 uncropped and crop the drive-gear at the top (0 up to 250 mm) according to SRH.
SRH 2601–2800: use extension 500 cropped to dim. 450 and crop the drive-gear at the top (0 up to 200 mm) according to SRH.
VHH gear
SRH 2451–2700: use extension 250 uncropped and crop the drive-gear at the top (0 up to 250 mm) according to SRH.
SRH 2701–2800: use extension 500 cropped to dim. 350 and crop the drive-gear at the top (0 up to 100 mm) according to SRH.
- [8] SRH 450–490 requires the use of anti-slam device 9-38688-33.
The device can generally be used for reducing the tilt-opening width.
- [9] With aluminium windows, 1 packer must be used for each Tilt-First striker (see page 479). Profile-specific packers are used for PVC windows.

UNI-JET central locking system – basic security

Turn-Only sash – fixed / variable handle height

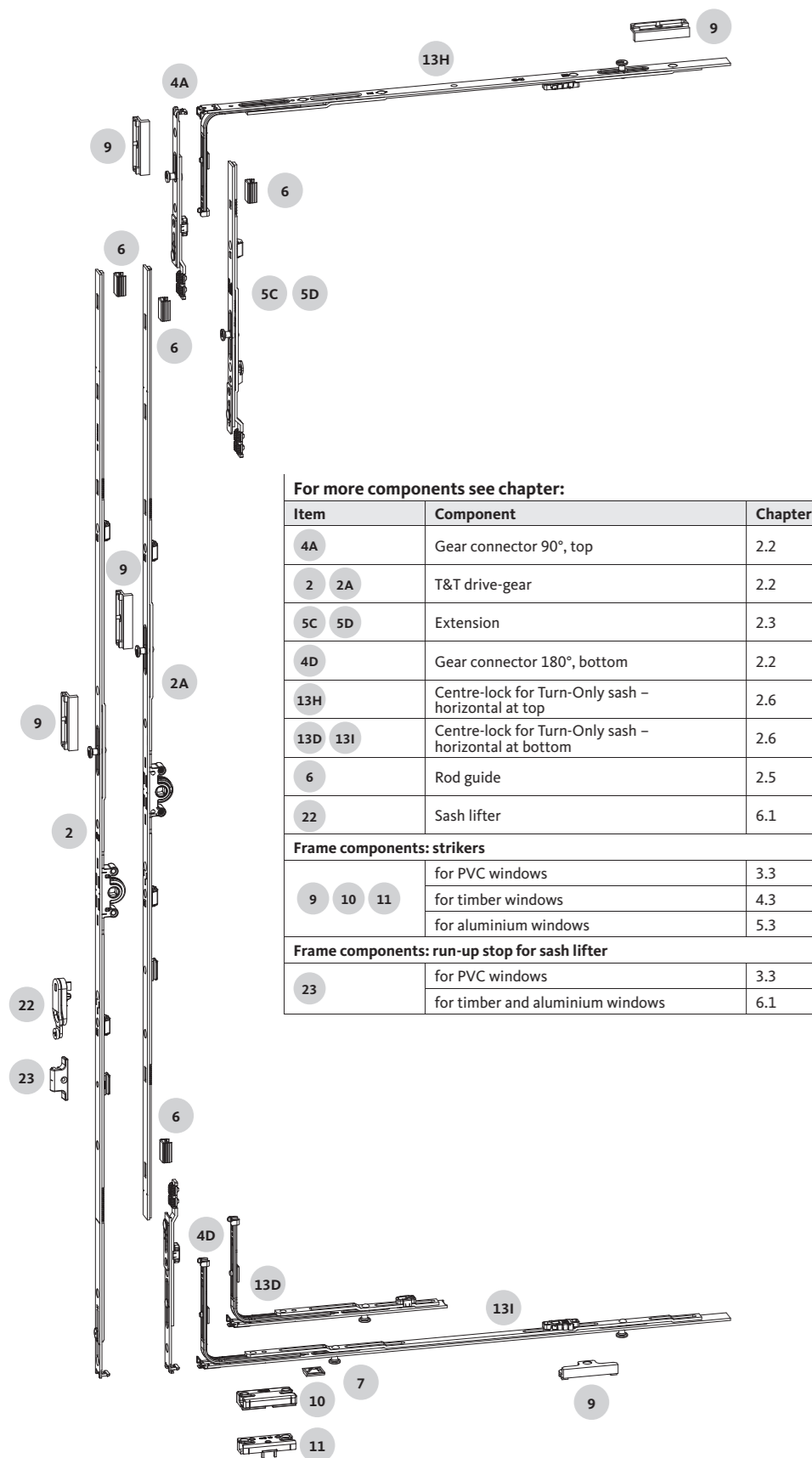


For more components see chapter:

| Item | Component | Chapter |
|--|---|---------|
| 4A | Gear connector 90°, top | 2.2 |
| 2 2A | T&T drive-gear | 2.2 |
| 5C 5D | Extension | 2.3 |
| 4D | Gear connector 180°, bottom | 2.2 |
| 13H | Centre-lock for Turn-Only sash – horizontal at top | 2.6 |
| 13D 13I | Centre-lock for Turn-Only sash – horizontal at bottom | 2.6 |
| 6 | Rod guide | 2.5 |
| 22 | Sash lifter | 6.1 |
| Frame components: strikers | | |
| 9 10 11 | for PVC windows | 3.3 |
| | for timber windows | 4.3 |
| | for aluminium windows | 5.3 |
| Frame components: run-up stop for sash lifter | | |
| 23 | for PVC windows | 3.3 |
| | for timber and aluminium windows | 6.1 |

UNI-JET central locking system – basic security

Turn-Only sash – fixed / variable handle height



For more components see chapter:

| Item | Component | Chapter |
|--|---|---------|
| 4A | Gear connector 90°, top | 2.2 |
| 2, 2A | T&T drive-gear | 2.2 |
| 5C, 5D | Extension | 2.3 |
| 4D | Gear connector 180°, bottom | 2.2 |
| 13H | Centre-lock for Turn-Only sash – horizontal at top | 2.6 |
| 13D, 13I | Centre-lock for Turn-Only sash – horizontal at bottom | 2.6 |
| 6 | Rod guide | 2.5 |
| 22 | Sash lifter | 6.1 |
| Frame components: strikers | | |
| 9, 10, 11 | for PVC windows | 3.3 |
| 9, 10, 11 | for timber windows | 4.3 |
| 9, 10, 11 | for aluminium windows | 5.3 |
| Frame components: run-up stop for sash lifter | | |
| 23 | for PVC windows | 3.3 |
| 23 | for timber and aluminium windows | 6.1 |

UNI-JET central locking system – basic security

Turn-Only sash – fixed / variable handle height



| Gear connector 90° – top | | | | | | |
|--------------------------|----------|--------|--|-------|----|----------------|
| Item | SRH | Length | | LC-MA | PU | Order number |
| 4A | 280-2800 | 160 | | 1 | 10 | 6-32104-00-0-1 |

| T&T drive-gear 15 BS, fixed handle height | | | | | | |
|---|---------------|--------|-----|-------|----------------|----------------|
| Item | SRH | Length | G | LC-MA | PU | Order number |
| 2 | 280-349 | 328 | 120 | | | G-22135-00-0-1 |
| | 350-450 | 363 | 155 | | | G-22120-00-0-1 |
| | 451-550 | 390 | 155 | | | G-22121-00-0-1 |
| | 551-720 | 560 | 200 | | | G-22122-00-0-1 |
| | 721-850 | 690 | 250 | | | G-22123-00-0-1 |
| | 851-1100 | 940 | 400 | | 1 | G-22124-00-0-1 |
| | 1101-1350 | 1190 | 500 | | | G-22125-00-0-1 |
| | 1351-1600 | 1440 | 600 | | 2 | G-22127-00-0-1 |
| | 1601-1850 | 1690 | 600 | | 3 | G-22128-00-0-1 |
| | 1851-2100 | 1940 | 980 | | | G-22133-00-0-1 |
| 2101-2350 | 2190 | 980 | | | G-22134-00-0-1 | |
| 2351-2800 [2] | 2190 | 980 | | 4 | G-22134-00-0-1 | |
| 5C | 2351-2600 [2] | 250 | | | | 8-00625-00-0-1 |
| 5D | 2601-2800 [2] | 500 | | 1 | | 6-32142-00-0-1 |

| T&T drive-gear 15 BS, variable handle height | | | | | | | |
|--|---------------|---------------|----------|-------|----|----------------|----------------|
| Item | SRH | Length | G | LC-MA | PU | Order number | |
| 2A | 480-590 | 270 | 240-295 | | | G-22080-00-0-1 | |
| | 591-750 | 430 | 295-375 | | | G-22081-00-0-1 | |
| | 751-1200 | 880 | 375-600 | | | G-22082-00-0-1 | |
| | 951-1450 | 1130 | 457-725 | 1 | | G-22083-00-0-1 | |
| | 1201-1700 | 1380 | 600-850 | | | G-22084-00-0-1 | |
| | 1451-1950 | 1630 | 725-975 | 2 | | G-22085-00-0-1 | |
| | 1951-2450 | 2130 | 975-1225 | 3 | | G-22086-00-0-1 | |
| | 2451-2800 [2] | 2130 | 1225 | | | G-22086-00-0-1 | |
| | 5C | 2451-2700 [2] | 250 | | | | 8-00625-00-0-1 |
| | 5D | 2701-2800 [2] | 500 | | 1 | | 6-32142-00-0-1 |

| Gear connector 180°, bottom (for drive-gears with variable handle height) | | | | | | |
|---|----------|--------|--|-------|----|----------------|
| Item | SRH | Length | | LC-MA | PU | Order number |
| 4D | 480-2800 | 160 | | - | 10 | 6-32303-00-0-1 |

| Centre-lock for Turn-Only sash (horizontal at top) | | | | | | |
|--|-----------|--------|--|-------|----|----------------|
| Item | SRW | Length | | LC-MA | PU | Order number |
| 13H | 751-950 | 530 | | 1 | 10 | 6-32075-05-0-1 |
| | 951-1200 | 740 | | | | 6-32075-07-0-1 |
| | 1201-1600 | 1050 | | 2 | | 6-32075-10-0-1 |

| Centre-lock for Turn-Only sash (horizontal at bottom) | | | | | | |
|---|-----------|--------|--|-------|----|----------------|
| Item | SRW | Length | | LC-MA | PU | Order number |
| 13D | 280-750 | 215 | | 1 | | 6-32010-00-0-1 |
| | 751-950 | 530 | | | 10 | 6-32008-05-0-1 |
| | 951-1200 | 740 | | 2 | | 6-32008-07-0-1 |
| 13I | 1201-1600 | 1050 | | 3 | | 6-32008-10-0-1 |

| Rod guide | | | |
|-----------|--------------------------|-----|----------------|
| Item | | PU | Order number |
| 6 | Quantity as required [1] | 100 | 8-00805-00-0-0 |

| Run-up block (optional) | | | |
|-------------------------|--|-----|----------------|
| Item | | PU | Order number |
| 7 | | 100 | 9-41796-00-0-1 |

| Standard striker (zamak) | | | |
|--------------------------|-----------------------------|-----|------------------|
| Item | | PU | Order number |
| 9 | See chapter 3.3 + 4.3 + 5.3 | 100 | profile-specific |

| Zamak Sec striker | | | |
|-------------------|-----------------------------|-----|------------------|
| Item | | PU | Order number |
| 10 | See chapter 3.3 + 4.3 + 5.3 | 100 | profile-specific |

| T&T striker | | | |
|-------------|-----------------------------|-----|------------------|
| Item | | PU | Order number |
| 11 | See chapter 3.3 + 4.3 + 5.3 | 100 | profile-specific |

| Sash lifter (with mishandling device) | | | |
|---------------------------------------|--|-----|----------------|
| Item | | PU | Order number |
| 22 | | 100 | 6-29987-00-0-1 |

| Run-up stop for sash lifter | | | |
|-----------------------------|-----------------------|-----|------------------|
| Item | | PU | Order number |
| 23 | See chapter 3.3 + 6.1 | 100 | profile-specific |

[1] When cropping the faceplate by less than 150 mm or when the notches are still visible after cropping, rod guide 8-00805 should be positioned at least 65 mm from the faceplate end.

[2] With SRH > 2350 or > 2450, extension 500, respectively 250 must be used.

FHH drive-gear
SRH 2351–2600: use extension 250 uncropped and crop the drive-gear at the top (0 up to 250 mm) according to SRH.

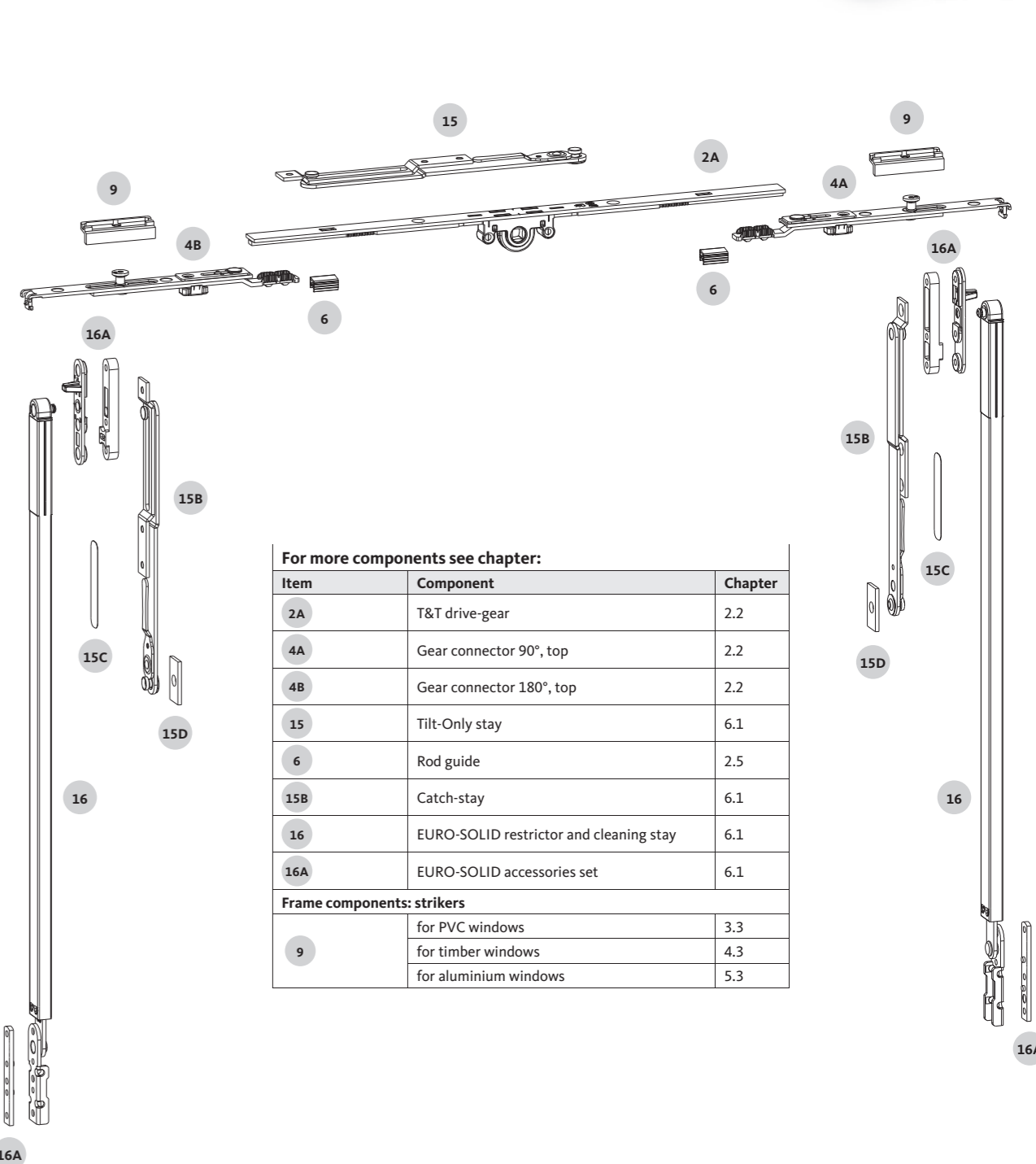
SRH 2601–2800: use extension 500 cropped to dim. 450 and crop the drive-gear at the top (0 up to 200 mm) according to SRH.

VHH gear
SRH 2451–2700: use extension 250 uncropped and crop the drive-gear at the top (0 up to 250 mm) according to SRH.

SRH 2701–2800: use extension 500 cropped to dim. 350 and crop the drive-gear at the top (0 up to 100 mm) according to SRH.

UNI-JET central locking system – basic security

Tilt-Only sash – variable handle height

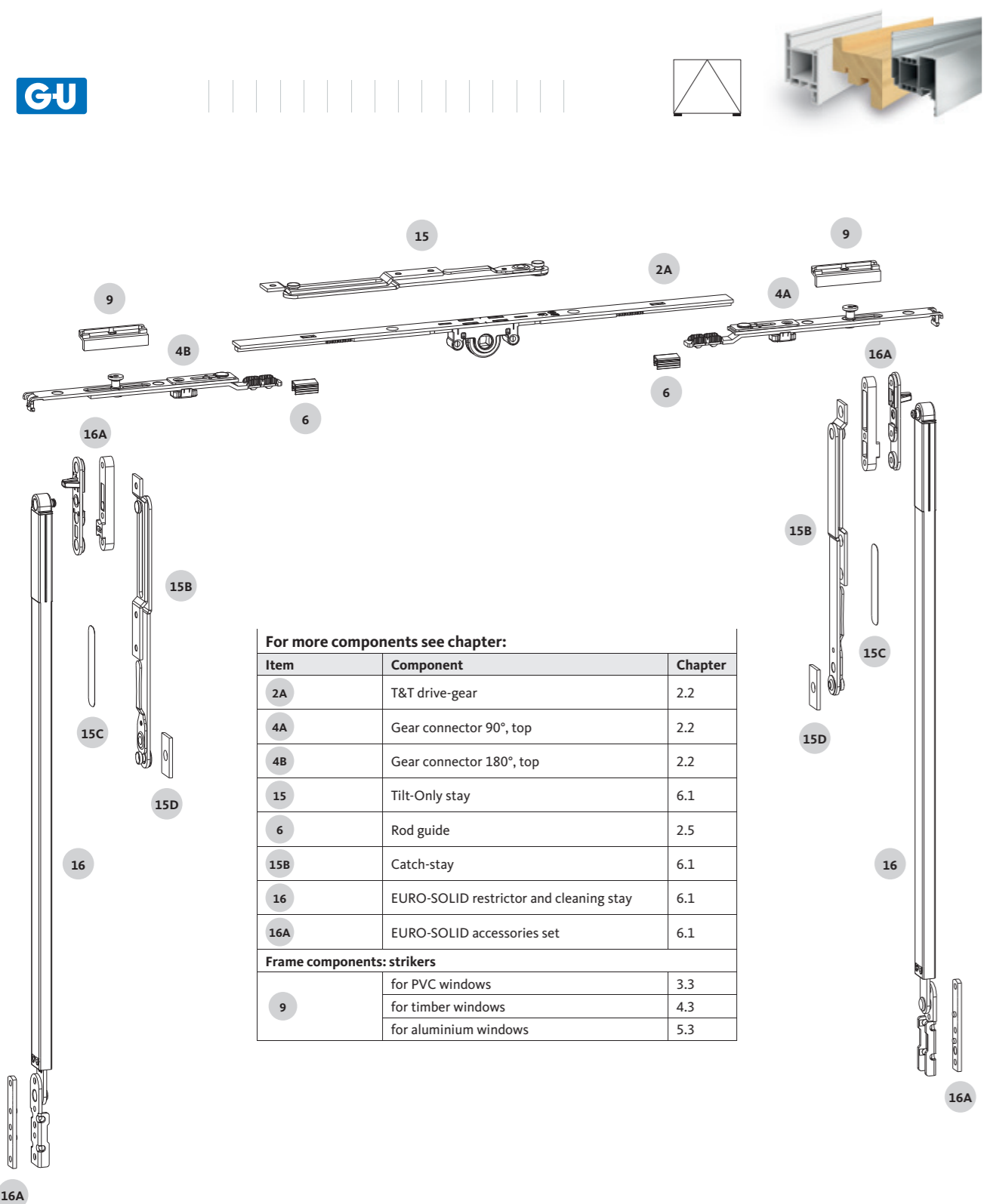


For more components see chapter:

| Item | Component | Chapter |
|-----------------------------------|---|---------|
| 2A | T&T drive-gear | 2.2 |
| 4A | Gear connector 90°, top | 2.2 |
| 4B | Gear connector 180°, top | 2.2 |
| 15 | Tilt-Only stay | 6.1 |
| 6 | Rod guide | 2.5 |
| 15B | Catch-stay | 6.1 |
| 16 | EURO-SOLID restrictor and cleaning stay | 6.1 |
| 16A | EURO-SOLID accessories set | 6.1 |
| Frame components: strikers | | |
| 9 | for PVC windows | 3.3 |
| 9 | for timber windows | 4.3 |
| 9 | for aluminium windows | 5.3 |

UNI-JET central locking system – basic security

Tilt-Only sash – variable handle height



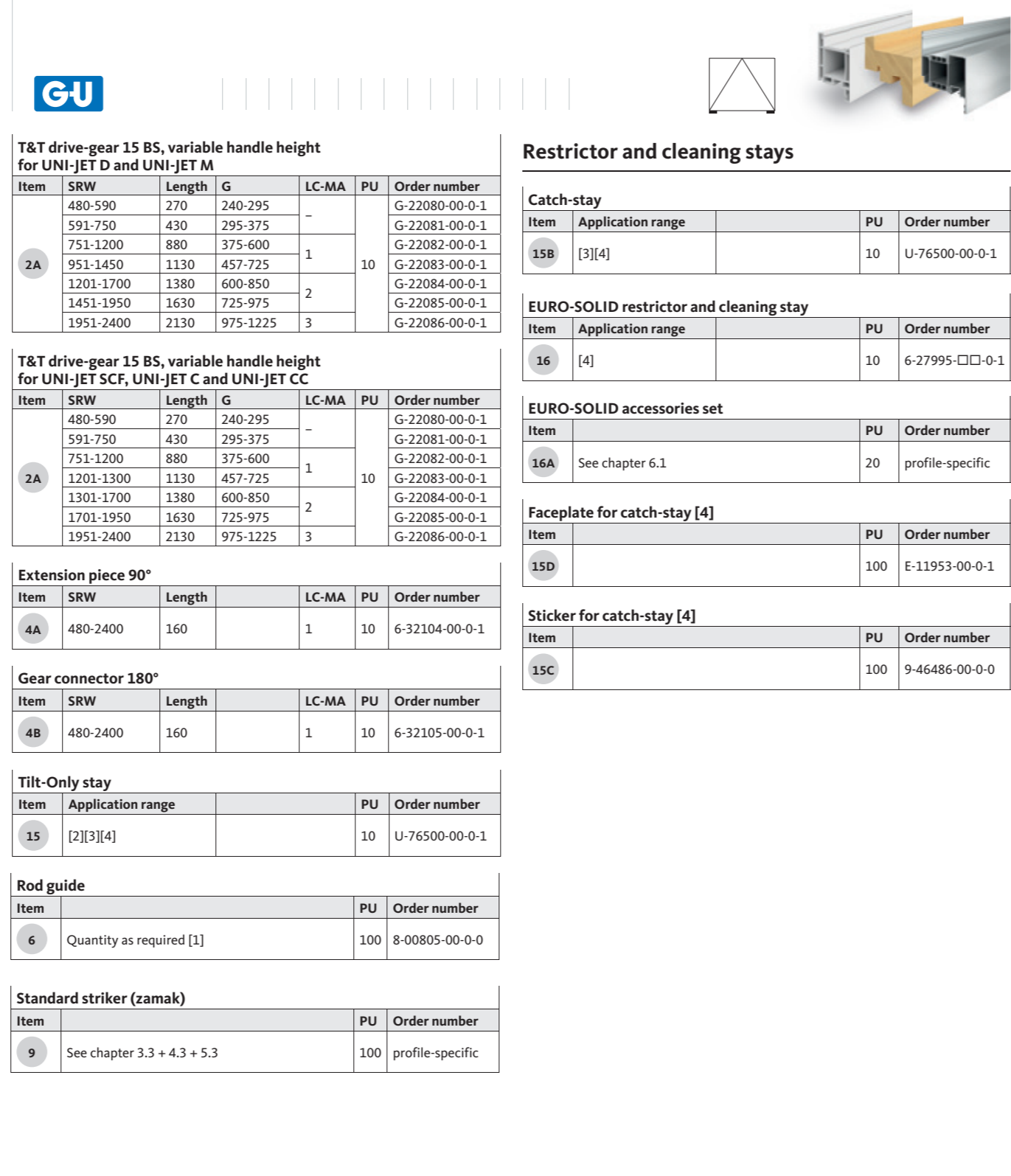
For more components see chapter:

| Item | Component | Chapter |
|-----------------------------------|---|---------|
| 2A | T&T drive-gear | 2.2 |
| 4A | Gear connector 90°, top | 2.2 |
| 4B | Gear connector 180°, top | 2.2 |
| 15 | Tilt-Only stay | 6.1 |
| 6 | Rod guide | 2.5 |
| 15B | Catch-stay | 6.1 |
| 16 | EURO-SOLID restrictor and cleaning stay | 6.1 |
| 16A | EURO-SOLID accessories set | 6.1 |
| Frame components: strikers | | |
| 9 | for PVC windows | 3.3 |
| | for timber windows | 4.3 |
| | for aluminium windows | 5.3 |

Exemplary depiction. Deviations possible depending on the profile.

UNI-JET central locking system – basic security

Tilt-Only sash – variable handle height



T&T drive-gear 15 BS, variable handle height for UNI-JET D and UNI-JET M

| Item | SRW | Length | G | LC-MA | PU | Order number |
|-----------|-----------|----------|---------|----------------|----|----------------|
| 2A | 480-590 | 270 | 240-295 | - | 10 | G-22080-00-0-1 |
| | 591-750 | 430 | 295-375 | - | | G-22081-00-0-1 |
| | 751-1200 | 880 | 375-600 | 1 | | G-22082-00-0-1 |
| | 951-1450 | 1130 | 457-725 | 1 | | G-22083-00-0-1 |
| | 1201-1700 | 1380 | 600-850 | 2 | | G-22084-00-0-1 |
| | 1451-1950 | 1630 | 725-975 | 2 | | G-22085-00-0-1 |
| 1951-2400 | 2130 | 975-1225 | 3 | G-22086-00-0-1 | | |

T&T drive-gear 15 BS, variable handle height for UNI-JET SCF, UNI-JET C and UNI-JET CC

| Item | SRW | Length | G | LC-MA | PU | Order number |
|-----------|-----------|----------|---------|----------------|----|----------------|
| 2A | 480-590 | 270 | 240-295 | - | 10 | G-22080-00-0-1 |
| | 591-750 | 430 | 295-375 | - | | G-22081-00-0-1 |
| | 751-1200 | 880 | 375-600 | 1 | | G-22082-00-0-1 |
| | 1201-1300 | 1130 | 457-725 | 1 | | G-22083-00-0-1 |
| | 1301-1700 | 1380 | 600-850 | 2 | | G-22084-00-0-1 |
| | 1701-1950 | 1630 | 725-975 | 2 | | G-22085-00-0-1 |
| 1951-2400 | 2130 | 975-1225 | 3 | G-22086-00-0-1 | | |

Extension piece 90°

| Item | SRW | Length | LC-MA | PU | Order number |
|------|----------|--------|-------|----|----------------|
| 4A | 480-2400 | 160 | 1 | 10 | 6-32104-00-0-1 |

Gear connector 180°

| Item | SRW | Length | LC-MA | PU | Order number |
|------|----------|--------|-------|----|----------------|
| 4B | 480-2400 | 160 | 1 | 10 | 6-32105-00-0-1 |

Tilt-Only stay

| Item | Application range | PU | Order number |
|------|-------------------|----|----------------|
| 15 | [2][3][4] | 10 | U-76500-00-0-1 |

Rod guide

| Item | PU | Order number |
|------|--------------------------|--------------------|
| 6 | Quantity as required [1] | 100 8-00805-00-0-0 |

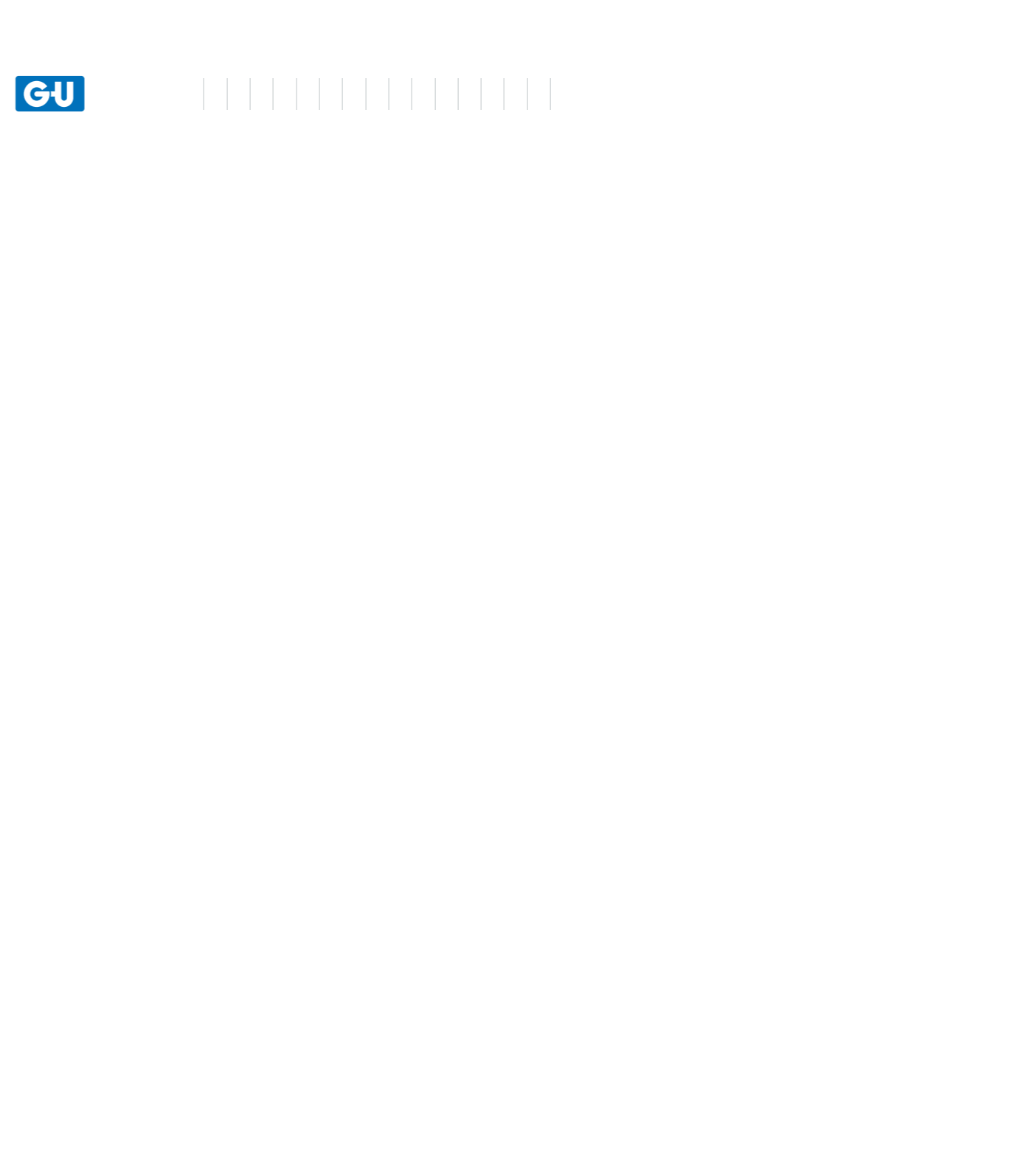
Standard striker (zamak)

| Item | PU | Order number |
|------|-----------------------------|----------------------|
| 9 | See chapter 3.3 + 4.3 + 5.3 | 100 profile-specific |

[1] When cropping the faceplate by less than 150 mm or when the notches are still visible after cropping, rod guide 8-00805 should be positioned at least 65 mm from the faceplate end.

[2] Use 2 Tilt-Only stays U-76500-00-0-1 from SRW 1201 mm.

[3] Aluminium windows
2 packers 9-47202-00-0-1 must be used for each Tilt-Only or restrictor stay.



Restrictor and cleaning stays

Catch-stay

| Item | Application range | PU | Order number |
|------|-------------------|----|----------------|
| 15B | [3][4] | 10 | U-76500-00-0-1 |

EURO-SOLID restrictor and cleaning stay

| Item | Application range | PU | Order number |
|------|-------------------|----|----------------|
| 16 | [4] | 10 | 6-27995-□□-0-1 |

EURO-SOLID accessories set

| Item | PU | Order number |
|------|-----------------|---------------------|
| 16A | See chapter 6.1 | 20 profile-specific |

Faceplate for catch-stay [4]

| Item | PU | Order number |
|------|-----|----------------|
| 15D | 100 | E-11953-00-0-1 |

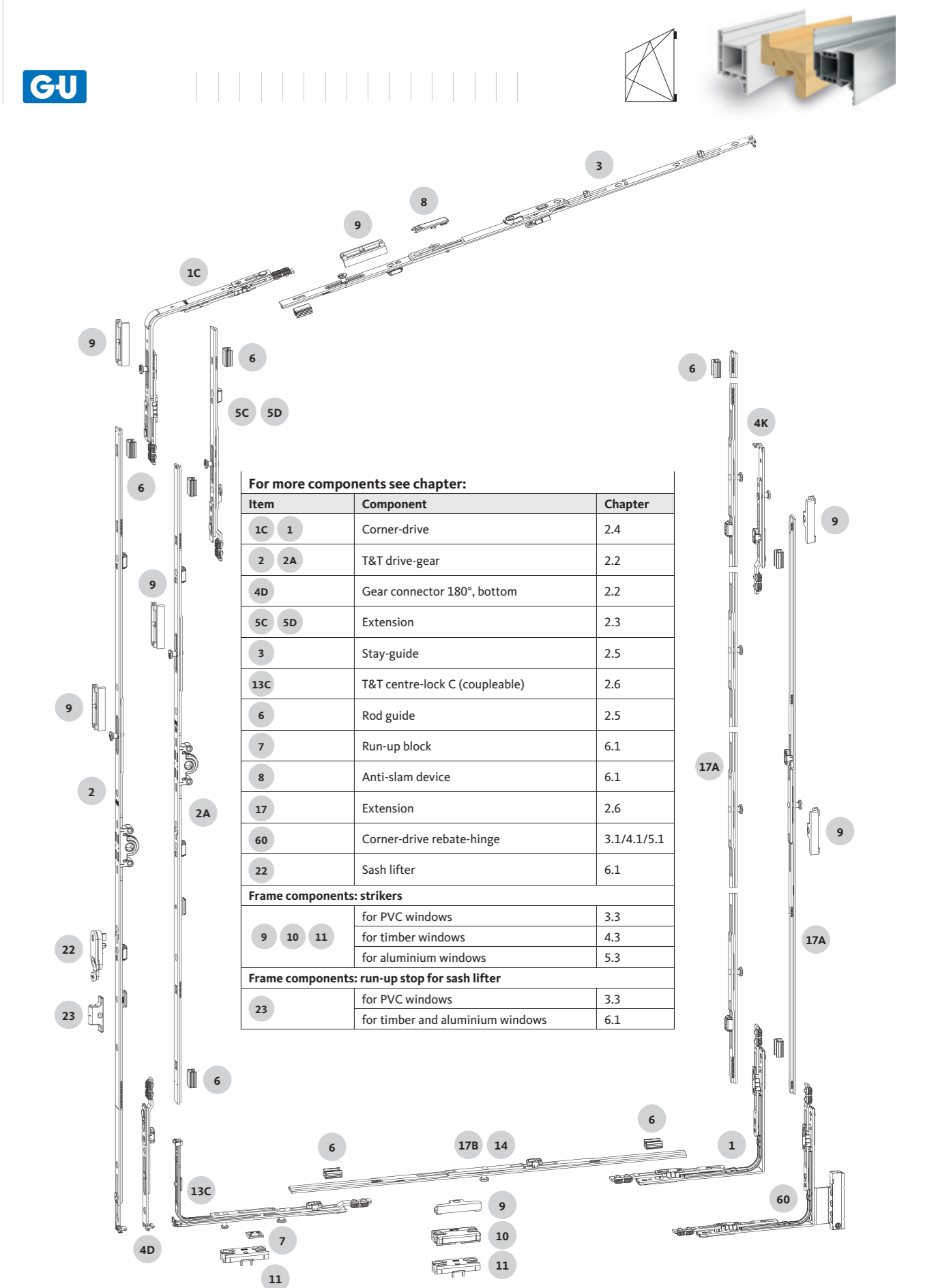
Sticker for catch-stay [4]

| Item | PU | Order number |
|------|-----|----------------|
| 15C | 100 | 9-46486-00-0-0 |

[4] **Tilt-Only stays, restrictor and cleaning stays**
For application ranges and required quantities in function of the application range refer to the respective installation drawing:
- UNI-JET D = 0-46795
- UNI-JET M = 0-46794
- UNI-JET SCF = 0-47362
- UNI-JET C = 0-46928
- UNI-JET CC = 0-45959

UNI-JET central locking system – basic security

Pitched window Tilt&Turn sash – fixed / variable handle height

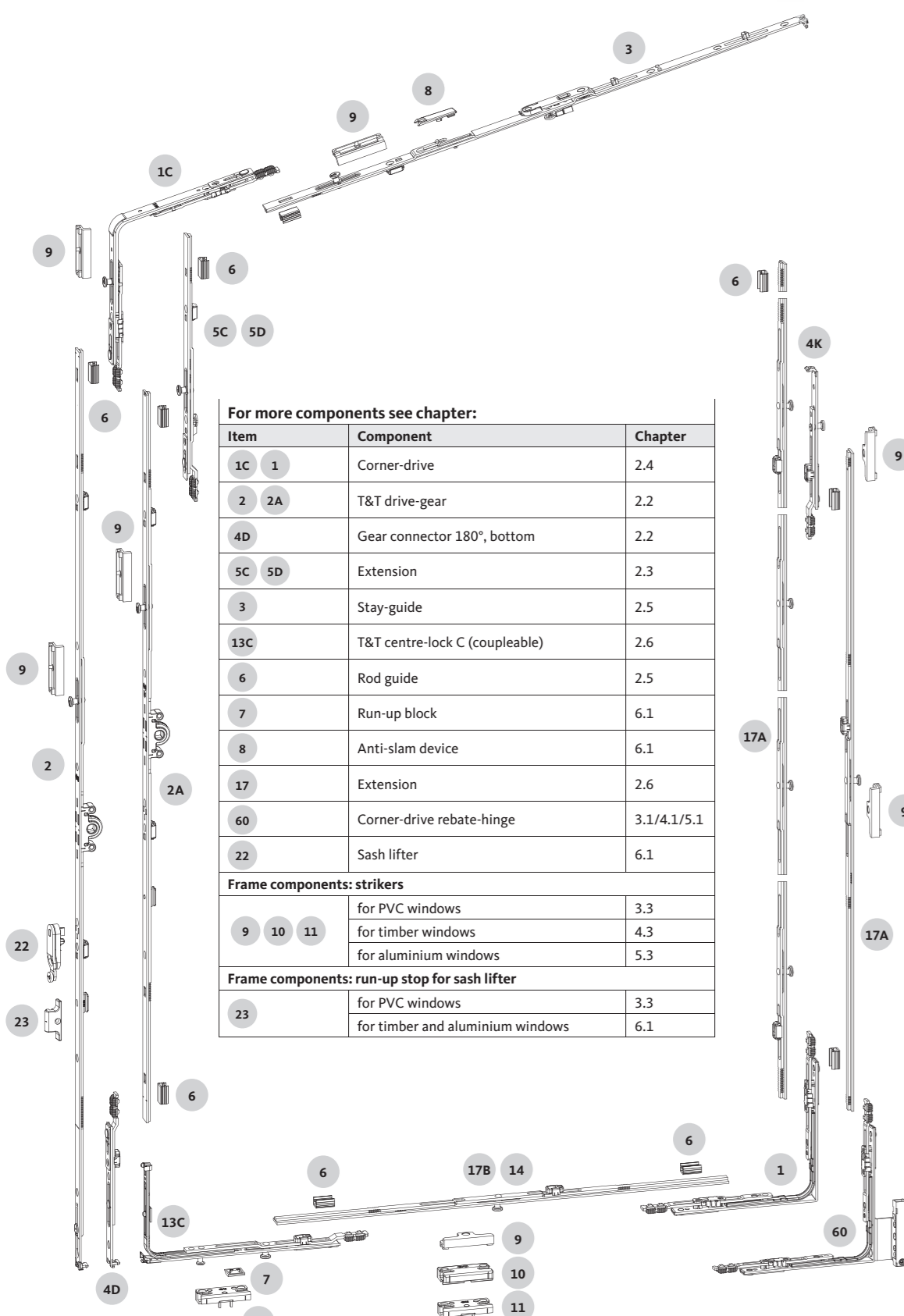


For more components see chapter:

| Item | Component | Chapter | | |
|--|-----------|--------------------------------|----------------------------------|-----|
| 1C | 1 | Corner-drive | 2.4 | |
| 2 | 2A | T&T drive-gear | 2.2 | |
| 4D | | Gear connector 180°, bottom | 2.2 | |
| 5C | 5D | Extension | 2.3 | |
| 3 | | Stay-guide | 2.5 | |
| 13C | | T&T centre-lock C (coupleable) | 2.6 | |
| 6 | | Rod guide | 2.5 | |
| 7 | | Run-up block | 6.1 | |
| 8 | | Anti-slam device | 6.1 | |
| 17 | | Extension | 2.6 | |
| 60 | | Corner-drive rebate-hinge | 3.1/4.1/5.1 | |
| 22 | | Sash lifter | 6.1 | |
| Frame components: strikers | | | | |
| 9 | 10 | 11 | for PVC windows | 3.3 |
| | | | for timber windows | 4.3 |
| | | | for aluminium windows | 5.3 |
| Frame components: run-up stop for sash lifter | | | | |
| 23 | | | for PVC windows | 3.3 |
| | | | for timber and aluminium windows | 6.1 |

UNI-JET central locking system – basic security

Pitched window Tilt&Turn sash – fixed / variable handle height



For more components see chapter:

| Item | Component | Chapter | | |
|--|--------------------------------|-------------|----------------------------------|-----|
| 1C | 1 | 2.4 | | |
| 2 | 2A | 2.2 | | |
| 4D | Gear connector 180°, bottom | 2.2 | | |
| 5C | 5D | 2.3 | | |
| 3 | Stay-guide | 2.5 | | |
| 13C | T&T centre-lock C (coupleable) | 2.6 | | |
| 6 | Rod guide | 2.5 | | |
| 7 | Run-up block | 6.1 | | |
| 8 | Anti-slam device | 6.1 | | |
| 17 | Extension | 2.6 | | |
| 60 | Corner-drive rebate-hinge | 3.1/4.1/5.1 | | |
| 22 | Sash lifter | 6.1 | | |
| Frame components: strikers | | | | |
| 9 | 10 | 11 | for PVC windows | 3.3 |
| | | | for timber windows | 4.3 |
| | | | for aluminium windows | 5.3 |
| Frame components: run-up stop for sash lifter | | | | |
| 23 | | | for PVC windows | 3.3 |
| | | | for timber and aluminium windows | 6.1 |

UNI-JET central locking system – basic security

Pitched window Tilt&Turn sash – fixed / variable handle height



| Corner-drive (pitched windows) | | | | | |
|--------------------------------|----------|----------|-------|----|----------------|
| Item | SRW P | SRH GS | LC-MA | PU | Order number |
| 1C | 401-1450 | 450-2800 | 1 | 10 | 6-32086-00-0-1 |

| Corner-drive (hinge-side) [2][3] | | | | | |
|----------------------------------|----------|----------|-------|----|----------------|
| Item | SRW | SRH GS | LC-MA | PU | Order number |
| 1 | 455-1260 | 450-2800 | - | 10 | 6-26743-00-0-1 |

| T&T drive-gear 15 BS, fixed handle height | | | | | | |
|---|-----------|--------|-----|-------|----------------|----------------|
| Item | SRH GS | Length | G | LC-MA | PU | Order number |
| 2 | 450-550 | 390 | 155 | - | - | G-22121-00-0-1 |
| | 551-720 | 560 | 200 | - | - | G-22122-00-0-1 |
| | 721-850 | 690 | 250 | - | - | G-22123-00-0-1 |
| | 851-1100 | 940 | 400 | 1 | 10 | G-22124-00-0-1 |
| | 1101-1350 | 1190 | 500 | - | - | G-22125-00-0-1 |
| | 1351-1600 | 1440 | 600 | 2 | - | G-22127-00-0-1 |
| | 1601-1850 | 1690 | 600 | 3 | - | G-22128-00-0-1 |
| | 1851-2100 | 1940 | 980 | - | - | G-22133-00-0-1 |
| 2101-2350 | 2190 | 980 | 4 | - | G-22134-00-0-1 | |
| 5C | [4] | 250 | - | - | 10 | 8-00625-00-0-1 |
| 5D | [4] | 500 | - | 1 | 10 | 6-32142-00-0-1 |

| T&T drive-gear 15 BS, variable handle height | | | | | | |
|--|-----------|--------|----------|-------|----|----------------|
| Item | SRH GS | Length | G | LC-MA | PU | Order number |
| 2A | 480-590 | 270 | 240-295 | - | - | G-22080-00-0-1 |
| | 591-750 | 430 | 295-375 | - | - | G-22081-00-0-1 |
| | 751-1200 | 880 | 375-600 | - | - | G-22082-00-0-1 |
| | 951-1450 | 1130 | 457-725 | 1 | 10 | G-22083-00-0-1 |
| | 1201-1700 | 1380 | 600-850 | - | - | G-22084-00-0-1 |
| | 1451-1950 | 1630 | 725-975 | 2 | - | G-22085-00-0-1 |
| | 1951-2450 | 2130 | 975-1225 | 3 | - | G-22086-00-0-1 |
| | 5C | [4] | 250 | - | - | 10 |
| 5D | [4] | 500 | - | 1 | 10 | 6-32142-00-0-1 |

| Gear connector 180°, bottom (for drive-gears with variable handle height) | | | | | |
|---|----------|--------|-------|----|----------------|
| Item | SRH GS | Length | LC-MA | PU | Order number |
| 4D | 480-2800 | 160 | - | 10 | 6-32303-00-0-1 |

| Z gear connector (hinge-side) | | | | | |
|-------------------------------|----------|--------|-------|----|----------------|
| Item | SRH HS | Length | LC-MA | PU | Order number |
| 4K | 580-2350 | 160 | 1 | - | 6-34451-00-0-1 |

| Stay-guide | | | | | | |
|------------|-----------|--------|-------|----|----------------|--|
| Item | SRW P | Length | LC-MA | PU | Order number | |
| 3 | 401-500 | 350 | - | - | 6-31512-03-0-1 | |
| | 501-750 | 590 | - | - | 6-31512-06-0-1 | |
| | 751-1000 | 840 | 1 | 10 | 6-31512-08-0-1 | |
| | 951-1200 | 1040 | 1 | - | 6-31512-10-0-1 | |
| | 1201-1450 | 1290 | 1 | - | 6-31512-12-0-1 | |

| T&T centre lock 215-C (coupleable), horizontal bottom | | | | | | |
|---|----------|--------|-------|----|----------------|--|
| Item | SRW | Length | LC-MA | PU | Order number | |
| 13C | 455-1260 | 215 | 1 | 10 | 6-32013-00-0-1 | |

| Extension (horizontal at bottom) | | | | | | |
|----------------------------------|-----------|--------|-------|----|---------------------------|--|
| Item | SRW | Length | LC-MA | PU | Order number | |
| 14 | 455-500 | 75-120 | - | - | Faceplate/ connecting rod | |
| | 501-770 | 415 | - | - | 6-26741-00-0-1 | |
| 17B | 771-1070 | 750 | 1 | 10 | 6-32781-01-0-1 | |
| | 1071-1260 | 1130 | 1 | - | 6-32781-02-0-1 | |

| Extension (hinge-side) | | | | | | |
|------------------------|-----------|--------|-------|----|----------------|--|
| Item | SRH HS | Length | LC-MA | PU | Order number | |
| 17A | 580-790 | 415 | - | - | 6-26741-00-0-1 | |
| | 791-1200 | 750 | - | - | 6-32781-01-0-1 | |
| | 1201-1590 | 1130 | 1 | 10 | 6-32781-02-0-1 | |
| | 1591-2350 | 1630 | - | - | 6-32781-03-0-1 | |
| | 2351-2800 | 2030 | 4 | - | 6-32494-90-0-1 | |

| Corner-drive rebate-hinge | | | | | |
|---------------------------|-------------------------|-------|----|-----------------------------|--|
| Item | | LC-MA | PU | Order number | |
| 60 | Depending on hinge-side | - | 50 | See chapter 3.1 + 4.1 + 5.1 | |

| Rod guide | | | | | |
|-----------|--------------------------|-----|----------------|--|--|
| Item | | PU | Order number | | |
| 6 | Quantity as required [1] | 100 | 8-00805-00-0-0 | | |

| Run-up block (optional) | | | | | |
|-------------------------|--|-----|----------------|--|--|
| Item | | PU | Order number | | |
| 7 | | 100 | 9-41796-00-0-1 | | |

| Anti-slam device (optional) | | | | | |
|-----------------------------|---|-----|----------------|--|--|
| Item | | PU | Order number | | |
| 8 | For reducing the tilt-opening width [5] | 100 | 9-38688-33-0-1 | | |

UNI-JET central locking system – basic security

Pitched window Tilt&Turn sash – fixed / variable handle height



| Standard striker (zamak) | | | |
|--------------------------|-----------------------------|-----|------------------|
| Item | | PU | Order number |
| 9 | See chapter 3.3 + 4.3 + 5.3 | 100 | profile-specific |

| Zamak Sec striker | | | |
|-------------------|-----------------------------|-----|------------------|
| Item | | PU | Order number |
| 10 | See chapter 3.3 + 4.3 + 5.3 | 100 | profile-specific |

| T&T striker | | | |
|-------------|-----------------------------|-----|------------------|
| Item | | PU | Order number |
| 11 | See chapter 3.3 + 4.3 + 5.3 | 100 | profile-specific |

| Sash lifter (with mishandling device) | | | |
|---------------------------------------|--|-----|----------------|
| Item | | PU | Order number |
| 22 | | 100 | 6-29987-00-0-1 |

| Run-up stop for sash lifter | | | |
|-----------------------------|-----------------------|-----|------------------|
| Item | | PU | Order number |
| 23 | See chapter 3.3 + 6.1 | 100 | profile-specific |

[1] When cropping the faceplate by less than 150 mm or when the notches are still visible after cropping, rod guide 8-00805 should be positioned at least 65 mm from the faceplate end.

[2] Use only with UNI-JET D in conjunction with drill-in hinge.

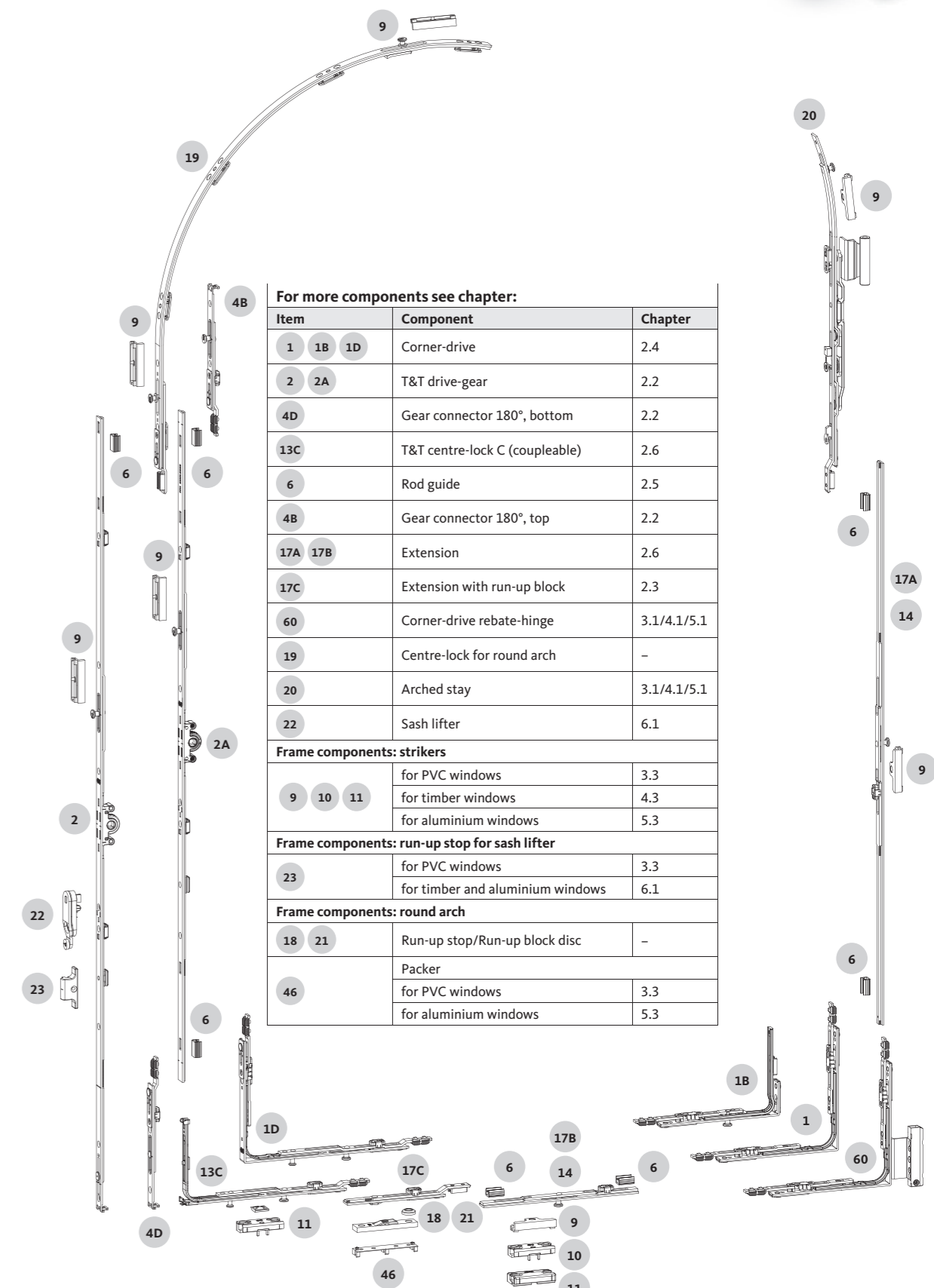
[3] With all other systems, the particular corner-drive rebate-hinge must be used instead of the corner-drive.

[4] For the application range SRH GS 2350 / 2450 up to 2800 it is necessary to use extension 500 (6-32142), respectively extension 250 (8-00625) depending on the pitch. The position of the required strikers must be copied from sash to frame.

[5] SRH 450-490 requires the use of anti-slam device 9-38688-33. The device can generally be used for reducing the tilt-opening width.

UNI-JET central locking system – basic security

Arched window Tilt&Turn sash – fixed / variable handle height



For more components see chapter:

| Item | Component | Chapter | | |
|------|-----------|---------|--------------------------------|-------------|
| 1 | 1B | 1D | Corner-drive | 2.4 |
| 2 | 2A | | T&T drive-gear | 2.2 |
| 4D | | | Gear connector 180°, bottom | 2.2 |
| 13C | | | T&T centre-lock C (coupleable) | 2.6 |
| 6 | | | Rod guide | 2.5 |
| 4B | | | Gear connector 180°, top | 2.2 |
| 17A | 17B | | Extension | 2.6 |
| 17C | | | Extension with run-up block | 2.3 |
| 60 | | | Corner-drive rebate-hinge | 3.1/4.1/5.1 |
| 19 | | | Centre-lock for round arch | - |
| 20 | | | Arched stay | 3.1/4.1/5.1 |
| 22 | | | Sash lifter | 6.1 |

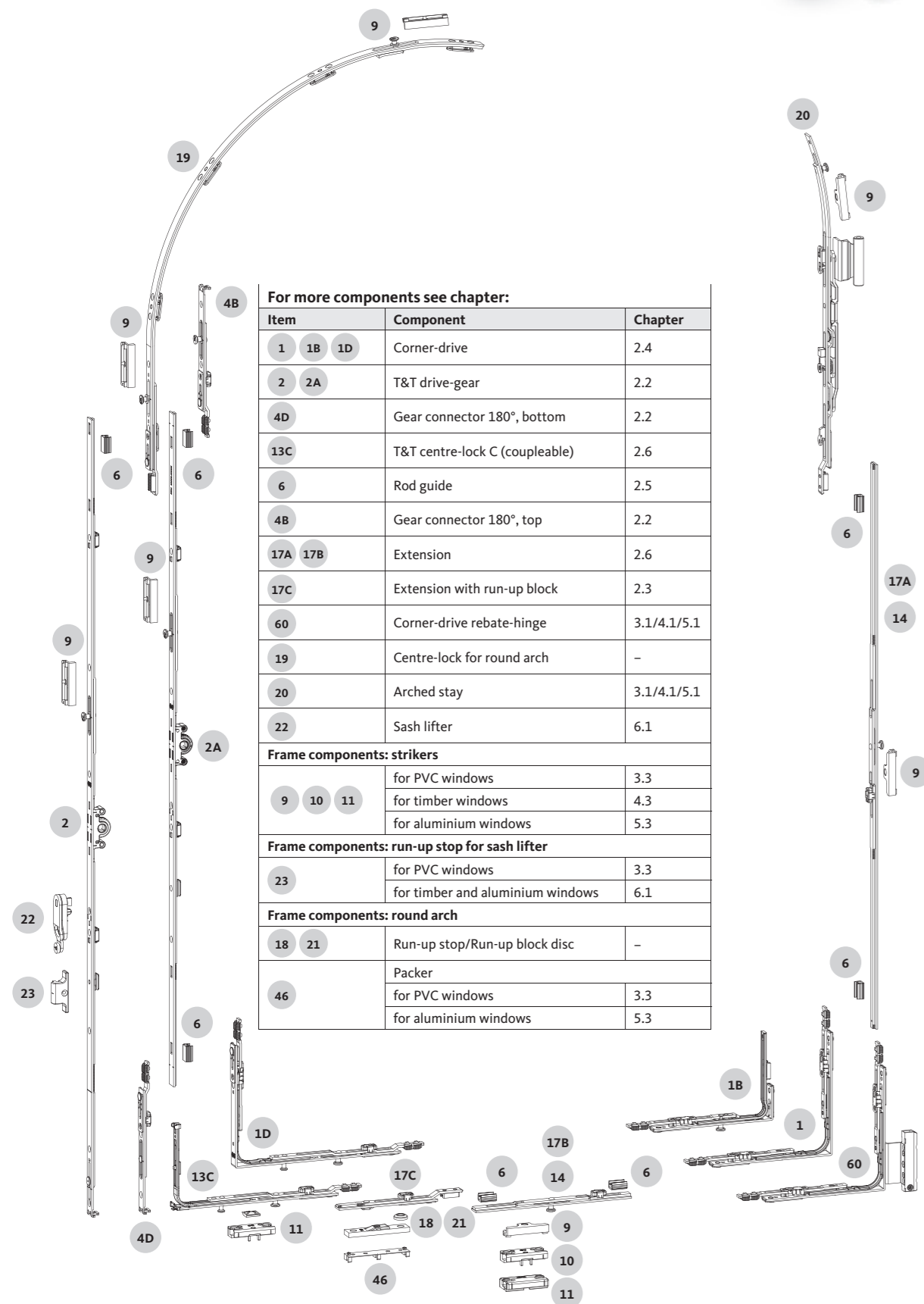
| Frame components: strikers | | | | |
|----------------------------|----|----|-----------------------|-----|
| Item | | PU | Order number | |
| 9 | 10 | 11 | for PVC windows | 3.3 |
| | | | for timber windows | 4.3 |
| | | | for aluminium windows | 5.3 |

| Frame components: run-up stop for sash lifter | | | | |
|---|--|----|----------------------------------|-----|
| Item | | PU | Order number | |
| 23 | | | for PVC windows | 3.3 |
| | | | for timber and aluminium windows | 6.1 |

| Frame components: round arch | | | | |
|------------------------------|----|----|-------------------------------|-----|
| Item | | PU | Order number | |
| 18 | 21 | | Run-up stop/Run-up block disc | - |
| 46 | | | Packer | |
| | | | for PVC windows | 3.3 |
| | | | for aluminium windows | 5.3 |

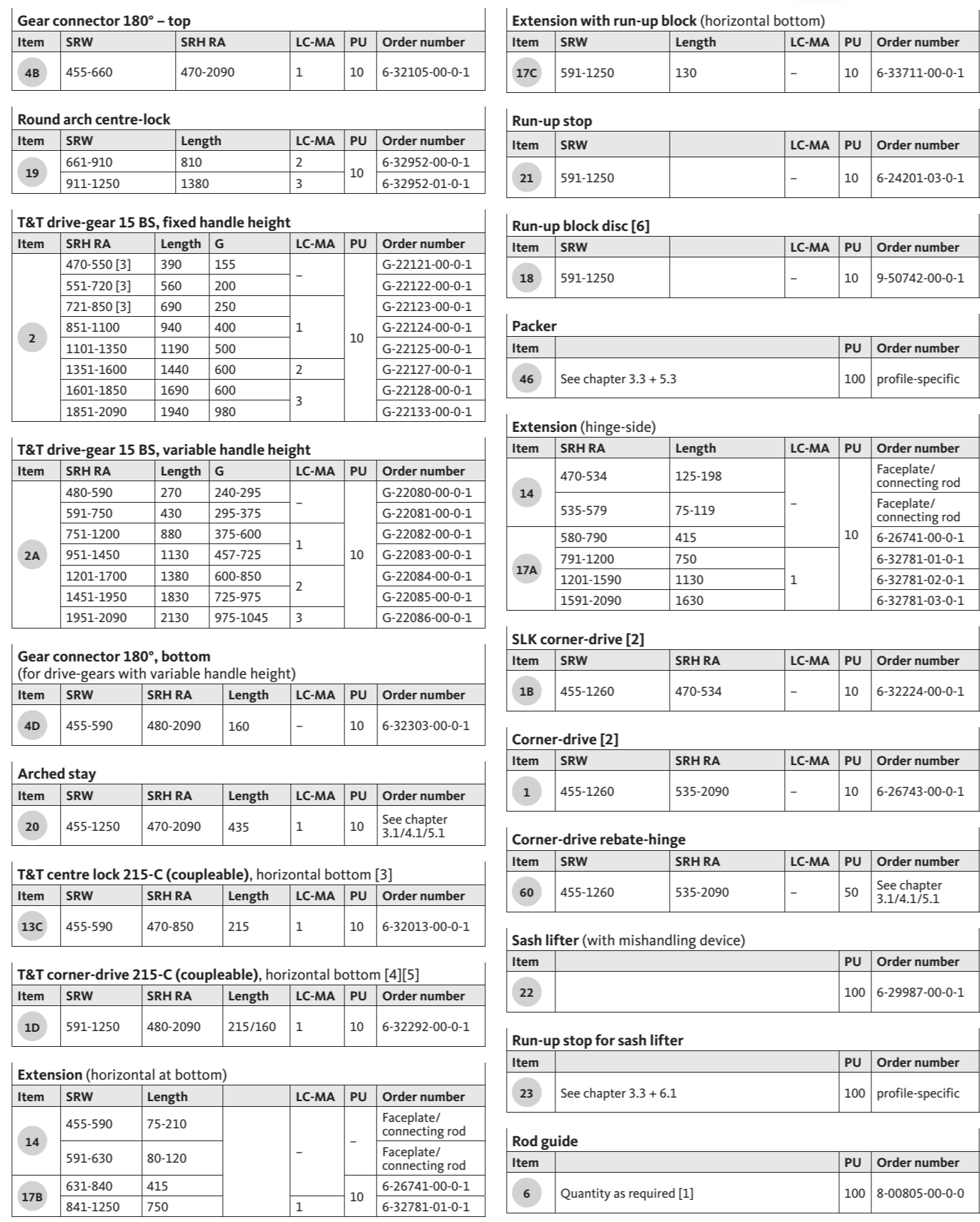
UNI-JET central locking system – basic security

Arched window Tilt&Turn sash – fixed / variable handle height



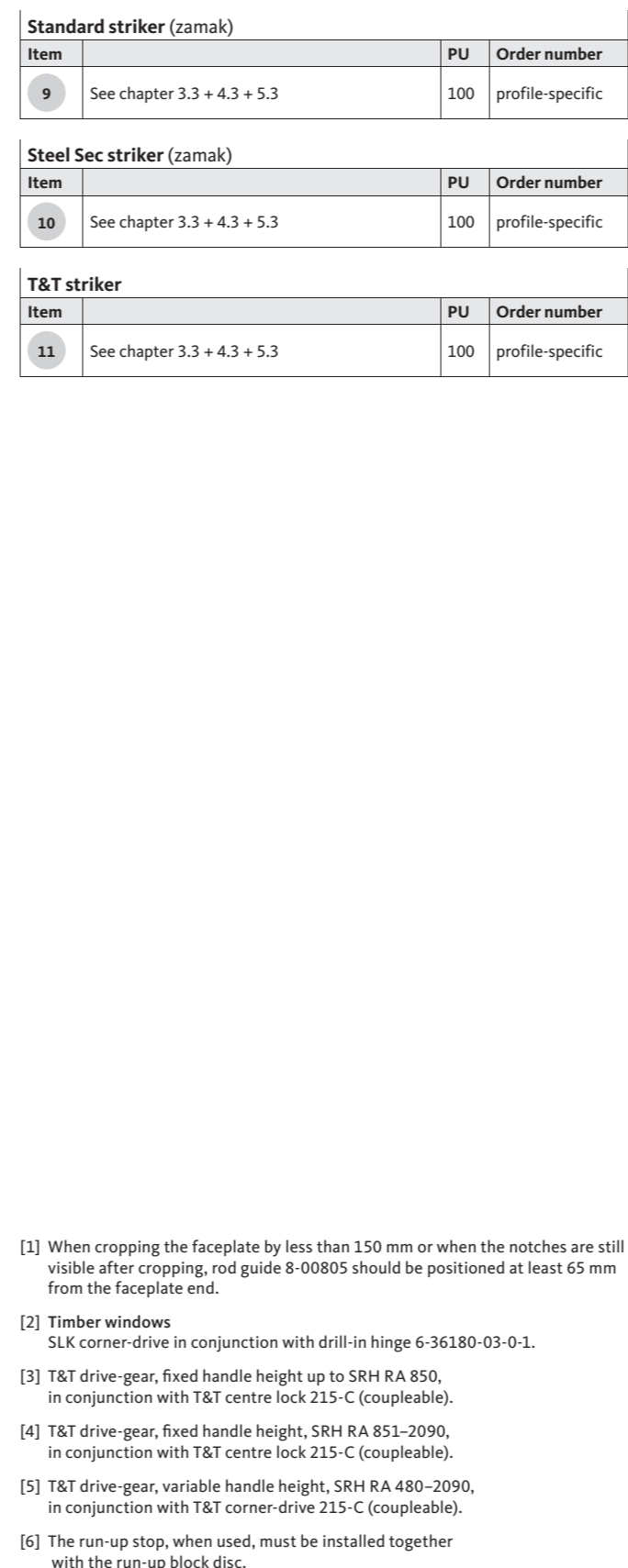
UNI-JET central locking system – basic security

Arched window Tilt&Turn sash – fixed / variable handle height



UNI-JET central locking system – basic security

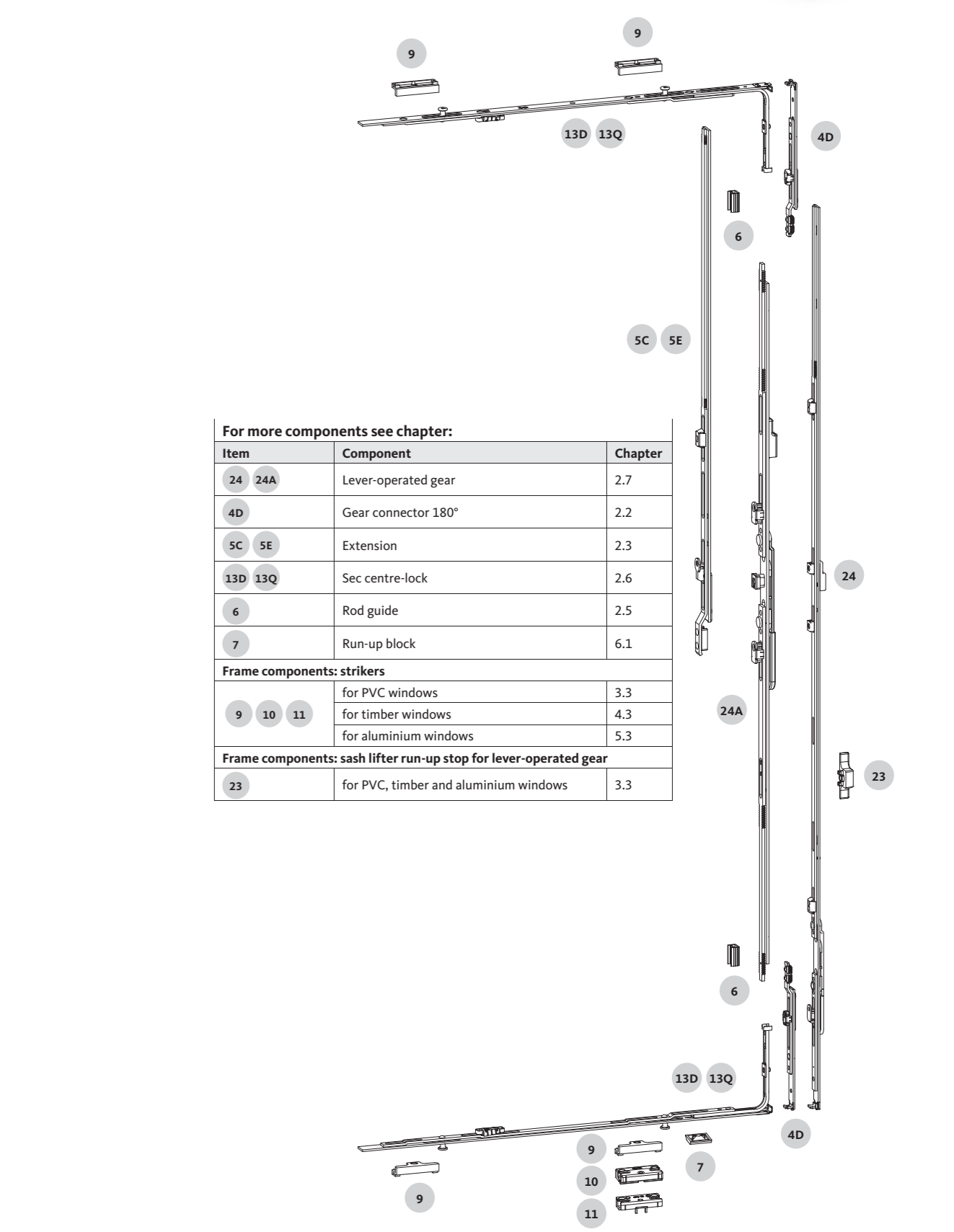
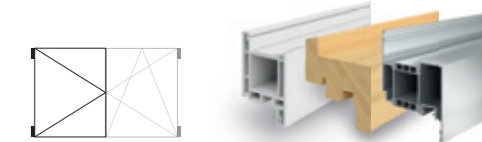
Arched window Tilt&Turn sash – fixed / variable handle height



- When cropping the faceplate by less than 150 mm or when the notches are still visible after cropping, rod guide 8-00805 should be positioned at least 65 mm from the faceplate end.
- Timber windows**
SLK corner-drive in conjunction with drill-in hinge 6-36180-03-0-1.
- T&T drive-gear, fixed handle height up to SRH RA 850, in conjunction with T&T centre lock 215-C (coupleable).
- T&T drive-gear, fixed handle height, SRH RA 851-2090, in conjunction with T&T centre lock 215-C (coupleable).
- T&T drive-gear, variable handle height, SRH RA 480-2090, in conjunction with T&T corner-drive 215-C (coupleable).
- The run-up stop, when used, must be installed together with the run-up block disc.

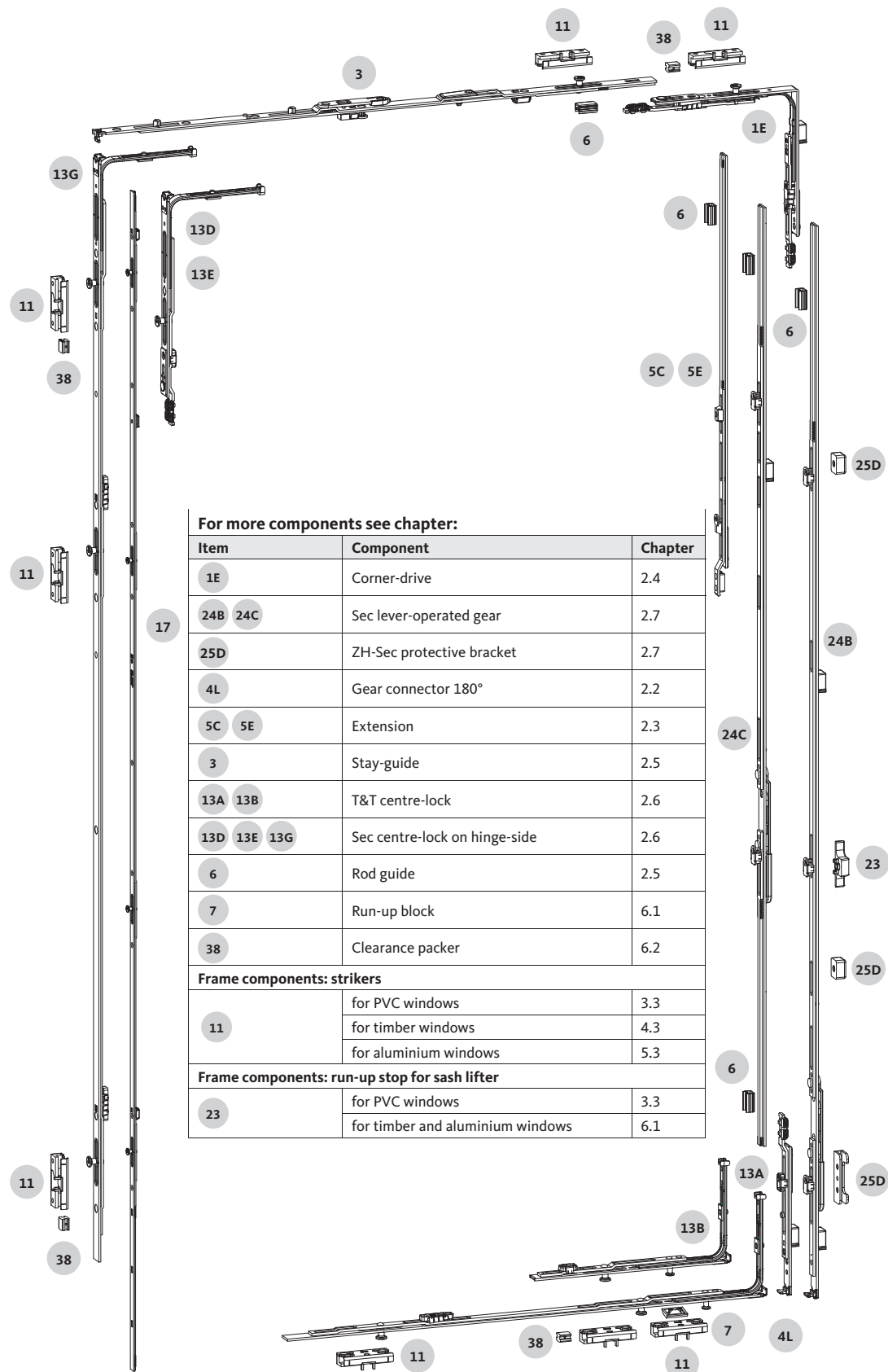
UNI-JET central locking system – basic security

Dummy-mullion sash with ZH lever-operated gear – fixed / variable handle height



UNI-JET central locking system – RC2

Dummy-mullion sash with ZH lever-operated gear – fixed / variable handle height



For more components see chapter:

| Item | Component | Chapter |
|--|----------------------------------|---------|
| 1E | Corner-drive | 2.4 |
| 24B 24C | Sec lever-operated gear | 2.7 |
| 25D | ZH-Sec protective bracket | 2.7 |
| 4L | Gear connector 180° | 2.2 |
| 5C 5E | Extension | 2.3 |
| 3 | Stay-guide | 2.5 |
| 13A 13B | T&T centre-lock | 2.6 |
| 13D 13E 13G | Sec centre-lock on hinge-side | 2.6 |
| 6 | Rod guide | 2.5 |
| 7 | Run-up block | 6.1 |
| 38 | Clearance packer | 6.2 |
| Frame components: strikers | | |
| 11 | for PVC windows | 3.3 |
| | for timber windows | 4.3 |
| | for aluminium windows | 5.3 |
| Frame components: run-up stop for sash lifter | | |
| 23 | for PVC windows | 3.3 |
| | for timber and aluminium windows | 6.1 |

UNI-JET central locking system – RC2

Dummy-mullion sash with ZH lever-operated gear – fixed / variable handle height



Security corner-drive (RC2)

| Item | SRW | SRH | LC-MA | PU | Order number |
|------|----------|----------|-------|----|----------------|
| 1E | 400-1450 | 470-2800 | 1 | 10 | G-22492-00-0-1 |

ZH Sec lever-operated gear, fixed handle height (with riveted operating lever)

| Item | SRH | Length | G | S | PU | Order number |
|------|-------------------|--------|-----|----------------|----|----------------|
| 24B | 470-550 | 560 | 230 | 1 | 10 | 6-33130-00-0-1 |
| | 551-720 [1] | 560 | 230 | | | 6-33130-00-0-1 |
| | 570-720 [2] | 560 | 230 | 6-33130-00-0-1 | | |
| | 721-850 | 690 | 230 | 6-33131-00-0-1 | | |
| | 851-1100 | 940 | 230 | 6-33132-00-0-1 | | |
| | 1101-1350 | 1190 | 230 | 6-33133-00-0-1 | | |
| | 1351-1600 | 1440 | 230 | 6-33134-00-0-1 | | |
| | 1601-1850 | 1690 | 230 | 6-33135-00-0-1 | | |
| | 1851-2100 | 1940 | 516 | 6-33136-00-0-1 | | |
| | 2101-2800 [4] | 2190 | 516 | 6-33137-00-0-1 | | |
| 5C | 2351-2600 [4] | 250 | | - | | 8-00625-00-0-1 |
| 5E | 2601-2800 [4] [5] | 500 | | - | | G-21040-00-0-1 |

ZH Sec lever-operated gear, variable handle height (with riveted operating lever)

| Item | SRH | Length | G | S | PU | Order number |
|---------------|-------------------|--------|---------|----------------|----|----------------|
| 24C | 781-950 | 630 | 356-536 | 1 | 10 | 6-33312-00-0-1 |
| | 781-1200 [3] | 880 | 356-536 | | | 6-33312-01-0-1 |
| | 951-1450 | 1130 | 310-560 | 6-33313-00-0-1 | | |
| | 1451-1950 | 1630 | 310-560 | 6-33314-00-0-1 | | |
| | 1951-2450 | 2130 | 310-560 | 6-33315-00-0-1 | | |
| 2451-2800 [4] | 2130 | 1225 | 4 | 6-33315-00-0-1 | | |
| 5C | 2451-2700 [4] | 250 | | - | | 8-00625-00-0-1 |
| 5E | 2701-2800 [4] [5] | 500 | | - | | G-21040-00-0-1 |

ZH-Sec protective bracket

| Item | SRH | PU | Order number |
|------|----------|-----|----------------|
| 25D | 470-2800 | 100 | K-17080-00-0-1 |

Gear connector 180°, bottom (for drive-gears with variable handle height)

| Item | SRH | Length | S | PU | Order number |
|------|----------|--------|---|----|----------------|
| 4L | 741-2800 | 160 | 1 | 10 | G-22910-00-0-1 |

Stay-guide [11]

| Item | SRW | Length | LC-MA | PU | Order number |
|------|-----------|--------|-------|----|----------------|
| 3 | 400-500 | 350 | 1 | 10 | 6-31512-03-0-1 |
| | 501-750 | 590 | | | 6-31512-06-0-1 |
| | 751-1000 | 840 | | | 6-31512-08-0-1 |
| | 951-1200 | 1040 | | | 6-31512-10-0-1 |
| | 1201-1450 | 1290 | | | 6-31512-12-0-1 |

T&T centre-lock (horizontal at bottom)

| Item | SRW | Length | LC-MA | PU | Order number |
|------|-------------|--------|-------|----|----------------|
| 13B | 400-750 [6] | 215 | 1 | 10 | 6-32012-00-0-1 |
| | 400-750 [7] | 330 | 2 | | 6-32076-03-0-1 |
| | 751-950 | 530 | | | 6-32076-05-0-1 |
| 13A | 951-1200 | 740 | 3 | 10 | 6-32076-07-0-1 |
| | 1201-1450 | 1050 | | | 6-32076-10-0-1 |

Hinge-side Sec centre-lock (with fixed handle height)

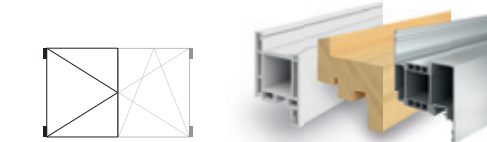
| Item | SRH | Length | LC-MA | PU | Order number |
|------|-------------|--------|----------------|----|----------------|
| 13D | 450-720 [8] | 215 | 1 | 10 | 6-32010-00-0-1 |
| | 450-720 [9] | 330 | 2 | | 6-32008-03-0-1 |
| 13G | 721-1100 | 530 | | 3 | 10 |
| | 1101-1350 | 740 | 6-32008-07-0-1 | | |
| | 1351-1850 | 1190 | 6-32008-12-0-1 | | |
| | 1851-2100 | 1450 | 6-32008-15-0-1 | | |
| | 2101-2500 | 1890 | 6-32008-19-0-1 | | |
| 13E | 2501-2800 | 215 | 1 | 10 | 6-32011-00-0-1 |
| 17 | 2501-2800 | 2030 | 4 | 10 | 6-32494-90-0-1 |

Hinge-side Sec centre-lock (with variable handle height)

| Item | SRH | Length | LC-MA | PU | Order number |
|------|-------------|--------|----------------|----|----------------|
| 13D | 480-750 [8] | 215 | 1 | 10 | 6-32010-00-0-1 |
| | 480-750 [9] | 330 | 2 | | 6-32008-03-0-1 |
| 13G | 751-1100 | 530 | | 3 | 10 |
| | 1101-1350 | 740 | 6-32008-07-0-1 | | |
| | 1351-1700 | 1190 | 6-32008-12-0-1 | | |
| | 1701-2100 | 1450 | 6-32008-15-0-1 | | |
| | 2101-2500 | 1890 | 6-32008-19-0-1 | | |
| 13E | 2501-2800 | 215 | 1 | 10 | 6-32011-00-0-1 |
| 17 | 2501-2800 | 2030 | 4 | 10 | 6-32494-90-0-1 |

UNI-JET central locking system – RC2

Dummy-mullion sash with ZH lever-operated gear – fixed / variable handle height



Rod guide

| Item | PU | Order number |
|------|---------------------------|--------------------|
| 6 | Quantity as required [10] | 100 8-00805-00-0-0 |

Run-up block (optional)

| Item | PU | Order number |
|------|-----|----------------|
| 7 | 100 | 9-41796-00-0-1 |

Clearance packer

| Item | PU | Order number |
|------|---|--------------------|
| 38 | Qty. and installation position according to drawing 0-44971 | 100 9-43219-00-0-1 |

Steel Sec striker (T&T striker)

| Item | PU | Order number |
|------|-----------------------------|----------------------|
| 11 | See chapter 3.3 + 4.3 + 5.3 | 100 profile-specific |

Sash lifter run-up stop for lever-operated gear

| Item | PU | Order number |
|------|-----|----------------|
| 23 | 100 | 9-40149-00-0-1 |

- [1] Lever-operated gear 6-33130-00-0-1 can only be used in conjunction with T&T Sec drive-gear 6-33219-00-0-1 with fixed handle height, 15 mm backset.
- [2] Lever-operated gear 6-33130-00-0-1 can only be used in conjunction with T&T Sec drive-gear G-23011-00-0-1 with fixed handle height, 15 mm backset.
- [3] Lever-operated gear 6-33312-01-0-1 can only be used in conjunction with T&T Sec drive-gears G-22102-00-0-1 with variable handle height, 7.5 mm backset.
- [4] With SRH > 2350 or > 2450, extension 500, respectively 250 must be used.
FHH drive-gear
SRH 2350-2600: use extension 500 uncropped and crop the drive-gear at the top (0 up to 250 mm) according to SRH.
SRH 2601-2800: use extension 500 cropped to dim. 450 and crop the drive-gear at the top (0 up to 200 mm) according to SRH.
VHH gear
SRH 2450-2700: use extension 250 uncropped and crop the drive-gear at the top (0 up to 250 mm) according to SRH.
SRH 2701-2800: use extension 500 cropped to dim. 350 and crop the drive-gear at the top (0 up to 100 mm) according to SRH.
- [5] With SRH > 2600, resp. > 2700, the screw-on standard striker 9-30256-00-0-1 or the screw-on steel Sec striker E-19813-00-0-1 must be screwed to the faceplate of extension G-21040-00-0-1.
- [6] PVC windows
SRW 400-750 requires the use of centre-lock 6-32012-00-0-1.
- [7] Timber windows
SRW 400-750 requires the use of centre-lock 6-32076-03-0-1.
SRW 400-420 requires the use of drill-in hinge 6-36180-03-0-1.
- [8] PVC windows
SRH 450-720 (FHH) and SRH 480-750 (VHH) require the use of centre-lock 6-32012-00-0-1.
- [9] Timber windows
SRH 450-720 (FHH) and SRH 480-750 (VHH) require the use of centre-lock 6-32008-03-0-1.
- [10] When cropping the faceplate by less than 150 mm or when the notches are still visible after cropping, rod guide 8-00805 should be positioned at least 65 mm from the faceplate end.
- [8] Use the appropriate stay-guide on page 158 for UNI-JET SCF/CC.
Use the appropriate stay-guide on page 159 for UNI-JET CONTURA.



2.2 Drive-gears

Backset 15 mm

| | |
|---|-----|
| Fixed handle height – without side-tilter | 112 |
| Variable handle height | 113 |
| Fixed handle height – with side-tilter for lateral tilting | 114 |
| Fixed handle height – without side-tilter and without locking cam | 115 |
| Variable handle height – without locking cam | 116 |
| Fixed handle height – Sec version for RC2 | 117 |
| Variable handle height – Sec version for RC2 | 118 |

Backset 7.5 mm

| | |
|--|-----|
| Fixed handle height – without side-tilter | 119 |
| Variable handle height | 120 |
| Fixed handle height – with side-tilter for lateral tilting | 121 |
| Fixed handle height – Sec version for RC2 | 122 |
| Variable handle height – Sec version for RC2 | 123 |

Backset 25–50 mm

| | |
|---|-----|
| Fixed handle height – without side-tilter | 124 |
| Variable handle height | 126 |

PC-lockable – 25–50 mm backset

| | |
|---|-----|
| Fixed handle height – without side-tilter | 128 |
| Variable handle height | 130 |

RC-lockable – 25–50 mm backset

| | |
|---|-----|
| Fixed handle height – without side-tilter | 132 |
| Variable handle height | 134 |

Backset reducing gear (minus 5)

136

Drive-gear connectors

| | |
|---------------------------------------|-----|
| Gear connectors | 137 |
| Reversing gear | 139 |
| Gear connectors – Sec version for RC2 | 140 |

Accessories for drive-gears

| | |
|---------------------------------------|-----|
| Logo clip, cover faceplate, rod guide | 141 |
| Fixing plates | 142 |
| Run-up block | 143 |

Tilt&Turn drive-gear

Backset 15 mm – fixed handle height – without side-tilter




BS 15 – fixed handle height (standard versions)

| SRH | Length | G | LC-MA | PU | Order number |
|-----------|---------|-----|-------|----|----------------|
| 280-349 | 328 | 120 | - | 10 | G-22135-00-0-1 |
| 350-450 | 363 | 155 | - | 10 | G-22120-00-0-1 |
| 451-550 | 390 | 155 | - | 10 | G-22121-00-0-1 |
| 551-720 | 560 | 200 | - | 10 | G-22122-00-0-1 |
| 721-850 | 690 | 250 | 1 | 10 | G-22123-00-0-1 |
| 851-1100 | 940 | 400 | 1 | 10 | G-22124-00-0-1 |
| 1101-1350 | 1190 | 500 | 1 | 10 | G-22125-00-0-1 |
| 1351-1600 | 1440 | 600 | 2 | 10 | G-22127-00-0-1 |
| 1601-1850 | 1690 | 600 | 3 | 10 | G-22128-00-0-1 |
| 1851-2100 | 1940 | 980 | 3 | 10 | G-22133-00-0-1 |
| 2101-2350 | 2190 | 980 | 4 | 10 | G-22134-00-0-1 |
| 2351-2600 | 2190 | 980 | 4 | 10 | G-22134-00-0-1 |
| | 250 [1] | | - | 10 | 8-00625-00-0-1 |
| 2601-2800 | 2190 | 980 | 4 | 10 | G-22134-00-0-1 |
| | 500 [1] | | 1 | 10 | 6-32142-00-0-1 |

BS 15 – fixed handle height (special versions)

| SRH | Length | G | LC-MA | PU | Order number |
|-----------|---------|-----|-------|----|----------------|
| 721-970 | 810 | 200 | 1 | 10 | 6-35743-00-0-1 |
| 851-1100 | 940 | 200 | 1 | 10 | 6-35744-00-0-1 |
| 851-1100 | 940 | 250 | 1 | 10 | 6-35746-00-0-1 |
| 1101-1350 | 1190 | 200 | 1 | 10 | 6-35745-00-0-1 |
| 1101-1350 | 1190 | 250 | 1 | 10 | 6-35747-00-0-1 |
| 1101-1350 | 1190 | 400 | 1 | 10 | 6-35748-00-0-1 |
| 1351-1600 | 1440 | 400 | 2 | 10 | 6-35749-00-0-1 |
| 1351-1600 | 1440 | 500 | 2 | 10 | G-22126-00-0-1 |
| 1601-1850 | 1690 | 500 | 3 | 10 | 6-35750-00-0-1 |
| 1601-1850 | 1690 | 700 | 2 | 10 | G-22129-00-0-1 |
| 1601-1850 | 1690 | 980 | 3 | 10 | 6-33009-00-0-1 |
| 1851-2100 | 1940 | 700 | 2 | 10 | G-22130-00-0-1 |
| 1851-2100 | 1940 | 800 | 2 | 10 | G-22131-00-0-1 |
| 2101-2350 | 2190 | 800 | 3 | 10 | G-22132-00-0-1 |
| 2351-2600 | 2190 | 800 | 3 | 10 | G-22132-00-0-1 |
| | 250 [1] | | - | 10 | 8-00625-00-0-1 |
| 2601-2800 | 2190 | 800 | 4 | 10 | G-22132-00-0-1 |
| | 500 [1] | | 1 | 10 | 6-32142-00-0-1 |

- From SRH 851 mm, the drive-gears can be cropped by 160 mm at the bottom (e.g. for gear connector with side-tilter for side-tilting function or RC2).
- When cropping the faceplate by less than 150 mm or when the notches are still visible after cropping, rod guide 8-00805 should be positioned at least 65 mm from the faceplate end.

[1] With SRH > 2350, extension 250 or 500 must be used.
 SRH 2351-2600: use extension 250 uncropped and crop the drive-gear at the top (0 up to 250 mm) according to SRH.
 SRH 2601-2800: use extension 500 cropped to dim. 450 and crop the drive-gear at the top (0 up to 200 mm) according to SRH.

- For the compatibility and application ranges of the T&T drive-gear (15 mm backset) with the various lever-operated gears, refer to drawing 0-44348.

Tilt&Turn drive-gear

Backset 15 mm – variable handle height





BS 15 – variable handle height

| SRH | Length | G | LC-MA | PU | Order number |
|-----------|---------|----------|-------|----|----------------|
| 480-590 | 270 | 240-295 | - | 10 | G-22080-00-0-1 |
| 591-750 | 430 | 295-375 | - | 10 | G-22081-00-0-1 |
| 751-1200 | 880 | 375-600 | 1 | 10 | G-22082-00-0-1 |
| 951-1450 | 1130 | 475-725 | 1 | 10 | G-22083-00-0-1 |
| 1201-1700 | 1380 | 600-850 | 2 | 10 | G-22084-00-0-1 |
| 1451-1950 | 1630 | 725-975 | 2 | 10 | G-22085-00-0-1 |
| 1951-2450 | 2130 | 975-1225 | 3 | 10 | G-22086-00-0-1 |
| 2451-2700 | 2130 | 1225 | 3 | 10 | G-22086-00-0-1 |
| | 250 [1] | | - | 10 | 8-00625-00-0-1 |
| 2701-2800 | 2130 | 1225 | 3 | 10 | G-22086-00-0-1 |
| | 500 [1] | | 1 | 10 | 6-32142-00-0-1 |

- When cropping the faceplate by less than 150 mm or when the notches are still visible after cropping, rod guide 8-00805 should be positioned at least 65 mm from the faceplate end.

[1] With SRH > 2450, extension 250 or 500 must be used.
 SRH 2451-2700: use extension 250 uncropped and crop the drive-gear at the top (0 up to 250 mm) according to SRH.
 SRH 2701-2800: use extension 500 cropped to dim. 350 and crop the drive-gear at the top (0 up to 100 mm) according to SRH.

- For the compatibility and application ranges of the T&T drive-gear (15 mm backset) with the various lever-operated gears, refer to drawing 0-44348.

Tilt&Turn drive-gear

Backset 15 mm – fixed handle height – with side-tilter for lateral tilting



BS 15 – fixed handle height – with side-tilter for lateral tilting

| SRH | Length | G | LC-MA | PU | Order number |
|-----------|---------|-----|-------|----|----------------|
| 280-349 | 328 | 120 | - | 10 | G-22015-00-0-1 |
| 350-490 | 363 | 155 | - | 10 | G-22000-00-0-1 |
| 450-550 | 390 | 155 | - | 10 | G-22001-00-0-1 |
| 551-720 | 560 | 200 | - | 10 | G-22002-00-0-1 |
| 721-850 | 690 | 250 | 1 | 10 | G-22003-00-0-1 |
| 851-1100 | 940 | 400 | 1 | 10 | G-22004-00-0-1 |
| 1101-1350 | 1190 | 500 | 1 | 10 | G-22005-00-0-1 |
| 1351-1600 | 1440 | 600 | 2 | 10 | G-22007-00-0-1 |
| 1601-1850 | 1690 | 600 | 3 | 10 | G-22008-00-0-1 |
| 1851-2100 | 1940 | 980 | 3 | 10 | G-22013-00-0-1 |
| 2101-2350 | 2190 | 980 | 4 | 10 | G-22014-00-0-1 |
| 2351-2600 | 2190 | 980 | 4 | 10 | G-22014-00-0-1 |
| | 250 [1] | | - | 10 | 8-00625-00-0-1 |
| 2601-2800 | 2190 | 980 | 4 | 10 | G-22014-00-0-1 |
| | 500 [1] | | 1 | 10 | 6-32142-00-0-1 |

- When cropping the faceplate by less than 150 mm or when the notches are still visible after cropping, rod guide 8-00805 should be positioned at least 65 mm from the faceplate end.

[1] With SRH > 2350, extension 250 or 500 must be used.
 SRH 2351-2600: use extension 250 uncropped and crop the drive-gear at the top (0 up to 250 mm) according to SRH.
 SRH 2601-2800: use extension 500 cropped to dim. 450 and crop the drive-gear at the top (0 up to 200 mm) according to SRH.

Tilt&Turn drive-gear

Backset 15 mm – fixed handle height – without side-tilter and locking cam



BS 15 – fixed handle height – without side-tilter and locking cam

| SRH | Length | G | LC-MA | PU | Order number |
|-----------|---------|-----|-------|----|----------------|
| 280-349 | 328 | 120 | - | 10 | G-22135-00-0-1 |
| 350-490 | 363 | 155 | - | 10 | G-22120-00-0-1 |
| 450-550 | 390 | 155 | - | 10 | G-22121-00-0-1 |
| 551-720 | 560 | 200 | - | 10 | G-22122-00-0-1 |
| 721-850 | 690 | 250 | - | 10 | G-22400-00-0-1 |
| 851-1100 | 940 | 400 | - | 10 | G-22401-00-0-1 |
| 1101-1350 | 1190 | 500 | - | 10 | G-22402-00-0-1 |
| 1351-1600 | 1440 | 600 | - | 10 | G-22404-00-0-1 |
| 1601-1850 | 1690 | 600 | - | 10 | G-22405-00-0-1 |
| 1851-2100 | 1940 | 980 | - | 10 | G-22410-00-0-1 |
| 2101-2350 | 2190 | 980 | - | 10 | G-22411-00-0-1 |
| 2351-2600 | 2190 | 980 | - | 10 | G-22411-00-0-1 |
| | 250 [1] | | - | 10 | 8-00625-00-0-1 |
| 2601-2800 | 2190 | 980 | - | 10 | G-22411-00-0-1 |
| | 500 [1] | | - | 10 | G-21040-00-0-1 |

- Used with e.g. 2-sashed windows with 2 window handles or Fold&Slide solutions.
- When cropping the faceplate by less than 150 mm or when the notches are still visible after cropping, rod guide 8-00805 should be positioned at least 65 mm from the faceplate end.

[1] With SRH > 2350, extension 250 or 500 must be used.
 SRH 2351-2600: use extension 250 uncropped and crop the drive-gear at the top (0 up to 250 mm) according to SRH.
 SRH 2601-2800: use extension 500 cropped to dim. 450 and crop the drive-gear at the top (0 up to 200 mm) according to SRH.

Tilt&Turn drive-gear

Backset 15 mm – variable handle height – without locking cam



BS 15 – variable handle height – without locking cam

| SRH | Length | G | LC-MA | PU | Order number |
|-----------|---------|----------|-------|----|----------------|
| 751-1200 | 880 | 375-600 | - | 10 | G-22800-00-0-1 |
| 951-1450 | 1130 | 475-725 | - | 10 | G-22801-00-0-1 |
| 1201-1700 | 1380 | 600-850 | - | 10 | G-22802-00-0-1 |
| 1451-1950 | 1630 | 725-975 | - | 10 | G-22803-00-0-1 |
| 1951-2450 | 2130 | 975-1225 | - | 10 | G-22804-00-0-1 |
| 2451-2700 | 2130 | 1225 | - | 10 | G-22804-00-0-1 |
| | 250 [1] | | - | 10 | 8-00625-00-0-1 |
| 2701-2800 | 2130 | 1225 | - | 10 | G-22804-00-0-1 |
| | 500 [1] | | - | 10 | 6-32142-00-0-1 |

- When cropping the faceplate by less than 150 mm or when the notches are still visible after cropping, rod guide 8-00805 should be positioned at least 65 mm from the faceplate end.
- Striker 9-30748-01-0-1 is screw-fixed at the side of the faceplate.

[1] With SRH > 2450, extension 250 or 500 must be used.
 SRH 2451-2700: use extension 250 uncropped and crop the drive-gear at the top (0 up to 250 mm) according to SRH.
 SRH 2701-2800: use extension 500 cropped to dim. 350 and crop the drive-gear at the top (0 up to 100 mm) according to SRH.

Tilt&Turn drive-gear

Backset 15 mm – fixed handle height – Sec version for RC2



BS 15 – fixed handle height – Sec version for RC2

| SRH | Length | G | LC-MA | PU | Order number |
|-----------|---------|-----|-------|----|----------------|
| 450-550 | 390 | 155 | 1 | 10 | 6-33218-00-0-1 |
| 551-720 | 560 | 200 | 1 | 10 | 6-33219-00-0-1 |
| 721-850 | 690 | 250 | 2 | 10 | 6-33220-00-0-1 |
| 851-1100 | 940 | 400 | 1 | 10 | G-22124-00-0-1 |
| 1101-1350 | 1190 | 500 | 1 | 10 | G-22125-00-0-1 |
| 1351-1600 | 1440 | 600 | 2 | 10 | G-22127-00-0-1 |
| 1601-1850 | 1690 | 600 | 3 | 10 | G-22128-00-0-1 |
| 1851-2100 | 1940 | 980 | 3 | 10 | G-22133-00-0-1 |
| 2101-2350 | 2190 | 980 | 4 | 10 | G-22134-00-0-1 |
| 2351-2600 | 2190 | 980 | 4 | 10 | G-22134-00-0-1 |
| | 250 [1] | | - | 10 | 8-00625-00-0-1 |
| 2601-2800 | 2190 | 980 | 4 | 10 | G-22134-00-0-1 |
| | 500 [1] | | 1 | 10 | 6-32142-00-0-1 |

- When cropping the faceplate by less than 150 mm or when the notches are still visible after cropping, rod guide 8-00805 should be positioned at least 65 mm from the faceplate end.
- For 2-sashed PVC windows with RC2 design, the Sec gear connector 6-33205-00-0-1 must be used at the drive-gear at the bottom.
- For 1- and 2-sashed timber windows in RC2 version, the Sec gear connector 6-33205-00-0-1 must be used at the drive-gear at the bottom.

[1] With SRH > 2350, extension 250 or 500 must be used.
 SRH 2351-2600: use extension 250 uncropped and crop the drive-gear at the top (0 up to 250 mm) according to SRH.
 SRH 2601-2800: use extension 500 cropped to dim. 450 and crop the drive-gear at the top (0 up to 200 mm) according to SRH.

- For the compatibility and application ranges of the T&T drive-gear (15 mm backset) with the various lever-operated gears, refer to drawing 0-44971.

Tilt&Turn drive-gear

Backset 15 mm – variable handle height – Sec version for RC2



BS 15 – variable handle height – Sec version for RC2

| SRH | Length | G | LC-MA | PU | Order number |
|-----------|---------|----------|-------|----|----------------|
| 480-590 | 270 | 240-295 | - | 10 | G-22080-00-0-1 |
| 591-750 | 430 | 295-375 | - | 10 | G-22081-00-0-1 |
| 751-1200 | 880 | 375-600 | 1 | 10 | G-22082-00-0-1 |
| 951-1450 | 1130 | 475-725 | 1 | 10 | G-22083-00-0-1 |
| 1201-1700 | 1380 | 600-850 | 2 | 10 | G-22084-00-0-1 |
| 1451-1950 | 1630 | 725-975 | 2 | 10 | G-22085-00-0-1 |
| 1951-2450 | 2130 | 975-1225 | 3 | 10 | G-22086-00-0-1 |
| 2451-2700 | 2130 | 1225 | 3 | 10 | G-22086-00-0-1 |
| | 250 [1] | | - | 10 | 8-00625-00-0-1 |
| 2701-2800 | 2130 | 1225 | 3 | 10 | G-22086-00-0-1 |
| | 500 [1] | | 1 | 10 | 6-32142-00-0-1 |

- When cropping the faceplate by less than 150 mm or when the notches are still visible after cropping, rod guide 8-00805 should be positioned at least 65 mm from the faceplate end.

[1] With SRH > 2450, extension 250 or 500 must be used.
 SRH 2451-2700: use extension 250 uncropped and crop the drive-gear at the top (0 up to 250 mm) according to SRH.
 SRH 2701-2800: use extension 500 cropped to dim. 350 and crop the drive-gear at the top (0 up to 100 mm) according to SRH.

- For the compatibility and application ranges of the T&T drive-gear (15 mm backset) with the various lever-operated gears, refer to drawing 0-44971.

Tilt&Turn drive-gear

Backset 7.5 mm – fixed handle height – without side-tilter



BS 7.5 – fixed handle height (standard versions)

| SRH | Length | G | LC-MA | PU | Order number |
|-----------|---------|-----|-------|----|----------------|
| 325-439 | 390 [2] | 155 | - | 10 | G-22141-00-0-1 |
| 440-550 | 390 | 155 | - | 10 | G-22141-00-0-1 |
| 551-720 | 560 | 200 | - | 10 | G-22142-00-0-1 |
| 721-850 | 690 | 250 | 1 | 10 | G-22143-00-0-1 |
| 851-1100 | 940 | 400 | 1 | 10 | G-22144-00-0-1 |
| 1101-1350 | 1190 | 500 | 1 | 10 | G-22145-00-0-1 |
| 1351-1600 | 1440 | 600 | 2 | 10 | G-22147-00-0-1 |
| 1601-1850 | 1690 | 600 | 3 | 10 | G-22148-00-0-1 |
| 1851-2100 | 1940 | 980 | 3 | 10 | G-22153-00-0-1 |
| 2101-2350 | 2190 | 980 | 4 | 10 | G-22154-00-0-1 |
| 2351-2600 | 2190 | 980 | 4 | 10 | G-22154-00-0-1 |
| | 250 [1] | | - | 10 | 8-00625-00-0-1 |
| 2601-2800 | 2190 | 980 | 4 | 10 | G-22154-00-0-1 |
| | 500 [1] | | 1 | 10 | 6-32142-00-0-1 |

- When cropping the faceplate by less than 150 mm or when the notches are still visible after cropping, rod guide 8-00805 should be positioned at least 65 mm from the faceplate end.

[1] With SRH > 2350, extension 250 or 500 must be used.
 SRH 2351-2600: use extension 250 uncropped and crop the drive-gear at the top (0 up to 250 mm) according to SRH.
 SRH 2601-2800: use extension 500 cropped to dim. 450 and crop the drive-gear at the top (0 up to 200 mm) according to SRH.

[2] For SRH < 440, corner-drive S 6-32238-00-0-1 must be used (leg lengths 45/125).

- For the compatibility and application ranges of the T&T drive-gear (7.5 mm backset) with the various lever-operated gears, refer to drawing 0-44348.

Tilt&Turn drive-gear

Backset 7.5 mm – variable handle height



BS 7.5 – variable handle height

| SRH | Length | G | LC-MA | PU | Order number |
|-----------|---------|----------|-------|----|--------------------|
| 385-475 | 270 | 250-295 | - | 10 | G-22100-00-0-1 [2] |
| 500-590 | 270 | 250-295 | - | 10 | G-22100-00-0-1 |
| 591-750 | 430 | 295-375 | - | 10 | G-22101-00-0-1 |
| 751-1200 | 880 | 375-600 | 1 | 10 | G-22102-00-0-1 |
| 951-1450 | 1130 | 475-725 | 1 | 10 | G-22103-00-0-1 |
| 1201-1700 | 1380 | 600-850 | 2 | 10 | G-22104-00-0-1 |
| 1451-1950 | 1630 | 725-975 | 2 | 10 | G-22105-00-0-1 |
| 1951-2450 | 2130 | 975-1225 | 3 | 10 | G-22106-00-0-1 |
| 2451-2700 | 2130 | 1225 | 3 | 10 | G-22106-00-0-1 |
| | 250 [1] | | - | 10 | 8-00625-00-0-1 |
| 2701-2800 | 2130 | 1225 | 3 | 10 | G-22106-00-0-1 |
| | 500 [1] | | 1 | 10 | 6-32142-00-0-1 |

- When cropping the faceplate by less than 150 mm or when the notches are still visible after cropping, rod guide 8-00805 should be positioned at least 65 mm from the faceplate end.

- [1] With SRH > 2450, extension 250 or 500 must be used.
 SRH 2451-2700: use extension 250 uncropped and crop the drive-gear at the top (0 up to 250 mm) according to SRH.
 SRH 2701-2800: use extension 500 cropped to dim. 350 and crop the drive-gear at the top (0 up to 100 mm) according to SRH.
- [2] For SRH < 500, corner-drive S 6-32238-00-0-1 or SLK 6-32224-00-0-1 must be used.

- For the compatibility and application ranges of the T&T drive-gear (7.5 mm backset) with the various lever-operated gears, refer to drawing 0-44348.

Tilt&Turn drive-gear

Backset 7.5 mm – fixed handle height – with side-tilter for lateral tilting



BS 7.5 – fixed handle height – with side-tilter for lateral tilting

| SRH | Length | G | LC-MA | PU | Order number |
|-------------|---------|-----|-------|----|----------------|
| 325-439 [2] | 390 | 155 | - | 10 | G-22021-00-0-1 |
| | 45 [2] | | 1 | 10 | 6-32238-00-0-1 |
| 450-550 | 390 | 155 | - | 10 | G-22021-00-0-1 |
| 551-720 | 560 | 200 | - | 10 | G-22022-00-0-1 |
| 721-850 | 690 | 250 | 1 | 10 | G-22023-00-0-1 |
| 851-1100 | 940 | 400 | 1 | 10 | G-22024-00-0-1 |
| 1101-1350 | 1190 | 500 | 1 | 10 | G-22025-00-0-1 |
| 1351-1600 | 1440 | 600 | 2 | 10 | G-22027-00-0-1 |
| 1601-1850 | 1690 | 600 | 3 | 10 | G-22028-00-0-1 |
| 1851-2100 | 1940 | 980 | 3 | 10 | G-22033-00-0-1 |
| 2101-2350 | 2190 | 980 | 4 | 10 | G-22034-00-0-1 |
| 2351-2600 | 2190 | 980 | 4 | 10 | G-22034-00-0-1 |
| | 250 [1] | | - | 10 | 8-00625-00-0-1 |
| 2601-2800 | 2190 | 980 | 4 | 10 | G-22034-00-0-1 |
| | 500 [1] | | 1 | 10 | 6-32142-00-0-1 |

- When cropping the faceplate by less than 150 mm or when the notches are still visible after cropping, rod guide 8-00805 should be positioned at least 65 mm from the faceplate end.

- [1] With SRH > 2350, extension 250 or 500 must be used.
 SRH 2351-2600: use extension 250 uncropped and crop the drive-gear at the top (0 up to 250 mm) according to SRH.
 SRH 2601-2800: use extension 500 cropped to dim. 450 and crop the drive-gear at the top (0 up to 200 mm) according to SRH.
- [2] For SRH < 440, corner-drive S 6-32238-00-0-1 must be used (leg lengths 45/125).

- For the compatibility and application ranges of the T&T drive-gear (7.5 mm backset) with the various lever-operated gears, refer to drawing 0-44348.

Tilt&Turn drive-gear

Backset 7.5 mm – fixed handle height – Sec version for RC2



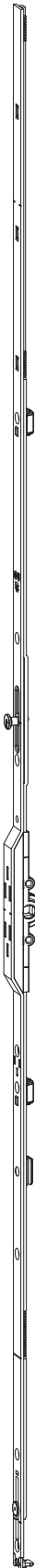
BS 7.5 – fixed handle height – Sec version for RC2

| SRH | Length | G | LC-MA | PU | Order number |
|-----------|---------|-----|-------|----|----------------|
| 450-550 | 390 | 155 | 1 | 10 | 6-33308-00-0-1 |
| 551-720 | 560 | 200 | 1 | 10 | 6-33309-00-0-1 |
| 721-850 | 690 | 250 | 2 | 10 | 6-33310-00-0-1 |
| 851-1100 | 940 | 400 | 1 | 10 | G-22144-00-0-1 |
| 1101-1350 | 1190 | 500 | 1 | 10 | G-22145-00-0-1 |
| 1351-1600 | 1440 | 600 | 2 | 10 | G-22147-00-0-1 |
| 1601-1850 | 1690 | 600 | 3 | 10 | G-22148-00-0-1 |
| 1851-2100 | 1940 | 980 | 3 | 10 | G-22153-00-0-1 |
| 2101-2350 | 2190 | 980 | 4 | 10 | G-22154-00-0-1 |
| 2351-2600 | 2190 | 980 | 4 | 10 | G-22154-00-0-1 |
| | 250 [1] | | - | 10 | 8-00625-00-0-1 |
| 2601-2800 | 2190 | 980 | 4 | 10 | G-22154-00-0-1 |
| | 500 [1] | | 1 | 10 | 6-32142-00-0-1 |

- When cropping the faceplate by less than 150 mm or when the notches are still visible after cropping, rod guide 8-00805 should be positioned at least 65 mm from the faceplate end.
- For 2-sashed PVC windows with RC2 design, the Sec gear connector 6-33205-00-0-1 must be used at the drive-gear at the bottom.
- For 1- and 2-sashed timber windows in RC2 version, the Sec gear connector 6-33205-00-0-1 must be used at the drive-gear at the bottom.

[1] With SRH > 2350, extension 250 or 500 must be used.
 SRH 2351-2600: use extension 250 uncropped and crop the drive-gear at the top (0 up to 250 mm) according to SRH.
 SRH 2601-2800: use extension 500 cropped to dim. 450 and crop the drive-gear at the top (0 up to 200 mm) according to SRH.

- For the compatibility and application ranges of the T&T drive-gear (7.5 mm backset) with the various lever-operated gears, refer to drawing 0-44971.



Tilt&Turn drive-gear

Backset 7.5 mm – variable handle height – Sec version for RC2



BS 7.5 – variable handle height – Sec version for RC2

| SRH | Length | G | LC-MA | PU | Order number |
|-----------|---------|----------|-------|----|--------------------|
| 385-475 | 270 | 250-295 | - | 10 | G-22100-00-0-1 [2] |
| 510-590 | 270 | 240-295 | - | 10 | G-22100-00-0-1 |
| 591-750 | 430 | 295-375 | - | 10 | G-22101-00-0-1 |
| 751-1200 | 880 | 375-600 | 1 | 10 | G-22102-00-0-1 |
| 951-1450 | 1130 | 475-725 | 1 | 10 | G-22103-00-0-1 |
| 1201-1700 | 1380 | 600-850 | 2 | 10 | G-22104-00-0-1 |
| 1451-1950 | 1630 | 725-975 | 2 | 10 | G-22105-00-0-1 |
| 1951-2450 | 2130 | 975-1225 | 3 | 10 | G-22106-00-0-1 |
| 2451-2700 | 2130 | 1225 | 3 | 10 | G-22106-00-0-1 |
| | 250 [1] | | - | 10 | 8-00625-00-0-1 |
| 2701-2800 | 2130 | 1225 | 3 | 10 | G-22106-00-0-1 |
| | 500 [1] | | 1 | 10 | 6-32142-00-0-1 |

- When cropping the faceplate by less than 150 mm or when the notches are still visible after cropping, rod guide 8-00805 should be positioned at least 65 mm from the faceplate end.

[1] With SRH > 2450, extension 250 or 500 must be used.
 SRH 2451-2700: use extension 250 uncropped and crop the drive-gear at the top (0 up to 250 mm) according to SRH.
 SRH 2701-2800: use extension 500 cropped to dim. 350 and crop the drive-gear at the top (0 up to 100 mm) according to SRH.

[2] For SRH < 500, corner-drive S 6-32238-00-0-1 or SLK 6-32224-00-0-1 must be used.

- For the compatibility and application ranges of the T&T drive-gear (7.5 mm backset) with the various lever-operated gears, refer to drawing 0-44971.



Tilt&Turn drive-gear

Backset 25–50 mm – fixed handle height – without side-tilter



BS 25 – fixed handle height – without side-tilter

| SRH | Length | G | LC-MA | PU | Order number |
|-----------|---------|-----|-------|----|----------------|
| 851-1100 | 940 | 400 | 1 | 10 | G-22790-25-0-1 |
| 1101-1350 | 1190 | 500 | 1 | 10 | G-22791-25-0-1 |
| 1351-1600 | 1440 | 600 | 2 | 10 | G-22792-25-0-1 |
| 1601-1850 | 1690 | 600 | 3 | 10 | G-22793-25-0-1 |
| 1851-2100 | 1940 | 980 | 3 | 10 | G-22321-25-0-1 |
| 2101-2350 | 2190 | 980 | 4 | 10 | G-22322-25-0-1 |
| 2351-2600 | 2190 | 980 | 4 | 10 | G-22322-25-0-1 |
| | 250 [1] | | – | 10 | 8-00625-00-0-1 |
| 2601-2800 | 2190 | 980 | 4 | 10 | G-22322-25-0-1 |
| | 500 [1] | | 1 | 10 | 6-32142-00-0-1 |

BS 30 – fixed handle height – without side-tilter

| SRH | Length | G | LC-MA | PU | Order number |
|-----------|---------|-----|-------|----|----------------|
| 851-1100 | 940 | 400 | 1 | 10 | G-22790-30-0-1 |
| 1101-1350 | 1190 | 500 | 1 | 10 | G-22791-30-0-1 |
| 1351-1600 | 1440 | 600 | 2 | 10 | G-22792-30-0-1 |
| 1601-1850 | 1690 | 600 | 3 | 10 | G-22793-30-0-1 |
| 1851-2100 | 1940 | 980 | 3 | 10 | G-22321-30-0-1 |
| 2101-2350 | 2190 | 980 | 4 | 10 | G-22322-30-0-1 |
| 2351-2600 | 2190 | 980 | 4 | 10 | G-22322-30-0-1 |
| | 250 [1] | | – | 10 | 8-00625-00-0-1 |
| 2601-2800 | 2190 | 980 | 4 | 10 | G-22322-30-0-1 |
| | 500 [1] | | 1 | 10 | 6-32142-00-0-1 |

BS 35 – fixed handle height – without side-tilter

| SRH | Length | G | LC-MA | PU | Order number |
|-----------|---------|-----|-------|----|----------------|
| 851-1100 | 940 | 400 | 1 | 10 | G-22790-35-0-1 |
| 1101-1350 | 1190 | 500 | 1 | 10 | G-22791-35-0-1 |
| 1351-1600 | 1440 | 600 | 2 | 10 | G-22792-35-0-1 |
| 1601-1850 | 1690 | 600 | 3 | 10 | G-22793-35-0-1 |
| 1851-2100 | 1940 | 980 | 3 | 10 | G-22321-35-0-1 |
| 2101-2350 | 2190 | 980 | 4 | 10 | G-22322-35-0-1 |
| 2351-2600 | 2190 | 980 | 4 | 10 | G-22322-35-0-1 |
| | 250 [1] | | – | 10 | 8-00625-00-0-1 |
| 2601-2800 | 2190 | 980 | 4 | 10 | G-22322-35-0-1 |
| | 500 [1] | | 1 | 10 | 6-32142-00-0-1 |

BS 40 – fixed handle height – without side-tilter

| SRH | Length | G | LC-MA | PU | Order number |
|-----------|---------|-----|-------|----|----------------|
| 851-1100 | 940 | 400 | 1 | 10 | G-22790-40-0-1 |
| 1101-1350 | 1190 | 500 | 1 | 10 | G-22791-40-0-1 |
| 1351-1600 | 1440 | 600 | 2 | 10 | G-22792-40-0-1 |
| 1601-1850 | 1690 | 600 | 3 | 10 | G-22793-40-0-1 |
| 1851-2100 | 1940 | 980 | 3 | 10 | G-22321-40-0-1 |
| 2101-2350 | 2190 | 980 | 4 | 10 | G-22322-40-0-1 |
| 2351-2600 | 2190 | 980 | 4 | 10 | G-22322-40-0-1 |
| | 250 [1] | | – | 10 | 8-00625-00-0-1 |
| 2601-2800 | 2190 | 980 | 4 | 10 | G-22322-40-0-1 |
| | 500 [1] | | 1 | 10 | 6-32142-00-0-1 |

Tilt&Turn drive-gear

Backset 25–50 mm – fixed handle height – without side-tilter



BS 45 – fixed handle height – without side-tilter

| SRH | Length | G | LC-MA | PU | Order number |
|-----------|---------|-----|-------|----|----------------|
| 851-1100 | 940 | 400 | 1 | 10 | G-22790-45-0-1 |
| 1101-1350 | 1190 | 500 | 1 | 10 | G-22791-45-0-1 |
| 1351-1600 | 1440 | 600 | 2 | 10 | G-22792-45-0-1 |
| 1601-1850 | 1690 | 600 | 3 | 10 | G-22793-45-0-1 |
| 1851-2100 | 1940 | 980 | 3 | 10 | G-22321-45-0-1 |
| 2101-2350 | 2190 | 980 | 4 | 10 | G-22322-45-0-1 |
| 2351-2600 | 2190 | 980 | 4 | 10 | G-22322-45-0-1 |
| | 250 [1] | | – | 10 | 8-00625-00-0-1 |
| 2601-2800 | 2190 | 980 | 4 | 10 | G-22322-45-0-1 |
| | 500 [1] | | 1 | 10 | 6-32142-00-0-1 |

BS 50 – fixed handle height – without side-tilter

| SRH | Length | G | LC-MA | PU | Order number |
|-----------|---------|-----|-------|----|----------------|
| 851-1100 | 940 | 400 | 1 | 10 | G-22790-50-0-1 |
| 1101-1350 | 1190 | 500 | 1 | 10 | G-22791-50-0-1 |
| 1351-1600 | 1440 | 600 | 2 | 10 | G-22792-50-0-1 |
| 1601-1850 | 1690 | 600 | 3 | 10 | G-22793-50-0-1 |
| 1851-2100 | 1940 | 980 | 3 | 10 | G-22321-50-0-1 |
| 2101-2350 | 2190 | 980 | 4 | 10 | G-22322-50-0-1 |
| 2351-2600 | 2190 | 980 | 4 | 10 | G-22322-50-0-1 |
| | 250 [1] | | – | 10 | 8-00625-00-0-1 |
| 2601-2800 | 2190 | 980 | 4 | 10 | G-22322-50-0-1 |
| | 500 [1] | | 1 | 10 | 6-32142-00-0-1 |

- When cropping the faceplate by less than 150 mm or when the notches are still visible after cropping, rod guide 8-00805 should be positioned at least 65 mm from the faceplate end.
- From SRH 851 mm, the drive-gears can be cropped by 160 mm at the bottom (e.g. for gear connector with side-tilter for side-tilting function or RC2).

[1] With SRH > 2350, extension 250 or 500 must be used.
 SRH 2351–2600: use extension 250 uncropped and crop the drive-gear at the top (0 up to 250 mm) according to SRH.
 SRH 2601–2800: use extension 500 cropped to dim. 450 and crop the drive-gear at the top (0 up to 200 mm) according to SRH.

- To find out which T&T drive-gears (25–50 mm backset) are compatible with the various lever-operated gears and also their application ranges, refer to drawing 0-45086.

Tilt&Turn drive-gear

Backset 25–50 mm – variable handle height



BS 25 – variable handle height

| SRH | Length | G | LC-MA | PU | Order number |
|-----------|---------|----------|-------|----|----------------|
| 576-950 | 630 | 288-475 | – | 10 | G-22343-25-0-1 |
| 951-1450 | 1130 | 475-725 | 1 | 10 | G-22344-25-0-1 |
| 1451-1950 | 1630 | 725-975 | 2 | 10 | G-22345-25-0-1 |
| 1951-2450 | 2130 | 975-1225 | 3 | 10 | G-22346-25-0-1 |
| 2451-2700 | 2130 | 1225 | 3 | 10 | G-22346-25-0-1 |
| | 250 [1] | | – | 10 | 8-00625-00-0-1 |
| 2701-2800 | 2130 | 1225 | 3 | 10 | G-22346-25-0-1 |
| | 500 [1] | | 1 | 10 | 6-32142-00-0-1 |

BS 30 – variable handle height

| SRH | Length | G | LC-MA | PU | Order number |
|-----------|---------|----------|-------|----|----------------|
| 576-950 | 630 | 288-475 | – | 10 | G-22343-30-0-1 |
| 951-1450 | 1130 | 475-725 | 1 | 10 | G-22344-30-0-1 |
| 1451-1950 | 1630 | 725-975 | 2 | 10 | G-22345-30-0-1 |
| 1951-2450 | 2130 | 975-1225 | 3 | 10 | G-22346-30-0-1 |
| 2451-2700 | 2130 | 1225 | 3 | 10 | G-22346-30-0-1 |
| | 250 [1] | | – | 10 | 8-00625-00-0-1 |
| 2701-2800 | 2130 | 1225 | 3 | 10 | G-22346-30-0-1 |
| | 500 [1] | | 1 | 10 | 6-32142-00-0-1 |

BS 35 – variable handle height

| SRH | Length | G | LC-MA | PU | Order number |
|-----------|---------|----------|-------|----|----------------|
| 576-950 | 630 | 288-475 | – | 10 | G-22343-35-0-1 |
| 951-1450 | 1130 | 475-725 | 1 | 10 | G-22344-35-0-1 |
| 1451-1950 | 1630 | 725-975 | 2 | 10 | G-22345-35-0-1 |
| 1951-2450 | 2130 | 975-1225 | 3 | 10 | G-22346-35-0-1 |
| 2451-2700 | 2130 | 1225 | 3 | 10 | G-22346-35-0-1 |
| | 250 [1] | | – | 10 | 8-00625-00-0-1 |
| 2701-2800 | 2130 | 1225 | 3 | 10 | G-22346-35-0-1 |
| | 500 [1] | | 1 | 10 | 6-32142-00-0-1 |

BS 40 – variable handle height

| SRH | Length | G | LC-MA | PU | Order number |
|-----------|---------|----------|-------|----|----------------|
| 576-950 | 630 | 288-475 | – | 10 | G-22343-40-0-1 |
| 951-1450 | 1130 | 475-725 | 1 | 10 | G-22344-40-0-1 |
| 1451-1950 | 1630 | 725-975 | 2 | 10 | G-22345-40-0-1 |
| 1951-2450 | 2130 | 975-1225 | 3 | 10 | G-22346-40-0-1 |
| 2451-2700 | 2130 | 1225 | 3 | 10 | G-22346-40-0-1 |
| | 250 [1] | | – | 10 | 8-00625-00-0-1 |
| 2701-2800 | 2130 | 1225 | 3 | 10 | G-22346-40-0-1 |
| | 500 [1] | | 1 | 10 | 6-32142-00-0-1 |

Tilt&Turn drive-gear

Backset 25–50 mm – variable handle height



BS 45 – variable handle height

| SRH | Length | G | LC-MA | PU | Order number |
|-----------|---------|----------|-------|----|----------------|
| 576-950 | 630 | 288-475 | – | 10 | G-22343-45-0-1 |
| 951-1450 | 1130 | 475-725 | 1 | 10 | G-22344-45-0-1 |
| 1451-1950 | 1630 | 725-975 | 2 | 10 | G-22345-45-0-1 |
| 1951-2450 | 2130 | 975-1225 | 3 | 10 | G-22346-45-0-1 |
| 2451-2700 | 2130 | 1225 | 3 | 10 | G-22346-45-0-1 |
| | 250 [1] | | – | 10 | 8-00625-00-0-1 |
| 2701-2800 | 2130 | 1225 | 3 | 10 | G-22346-45-0-1 |
| | 500 [1] | | 1 | 10 | 6-32142-00-0-1 |

BS 50 – variable handle height

| SRH | Length | G | LC-MA | PU | Order number |
|-----------|---------|----------|-------|----|----------------|
| 576-950 | 630 | 288-475 | – | 10 | G-22343-50-0-1 |
| 951-1450 | 1130 | 475-725 | 1 | 10 | G-22344-50-0-1 |
| 1451-1950 | 1630 | 725-975 | 2 | 10 | G-22345-50-0-1 |
| 1951-2450 | 2130 | 975-1225 | 3 | 10 | G-22346-50-0-1 |
| 2451-2700 | 2130 | 1225 | 3 | 10 | G-22346-50-0-1 |
| | 250 [1] | | – | 10 | 8-00625-00-0-1 |
| 2701-2800 | 2130 | 1225 | 3 | 10 | G-22346-50-0-1 |
| | 500 [1] | | 1 | 10 | 6-32142-00-0-1 |

■ When cropping the faceplate by less than 150 mm or when the notches are still visible after cropping, rod guide 8-00805 should be positioned at least 65 mm from the faceplate end.

[1] With SRH > 2450, extension 250 or 500 must be used.
SRH 2451–2700: use extension 250 uncropped and crop the drive-gear at the top (0 up to 250 mm) according to SRH.
SRH 2701–2800: use extension 500 cropped to dim. 350 and crop the drive-gear at the top (0 up to 100 mm) according to SRH.

■ To find out which T&T drive-gears (25–50 mm backset) are compatible with the various lever-operated gears and also their application ranges, refer to drawing 0-45086.

Tilt&Turn drive-gear – PC-lockable

Backset 25–50 mm – fixed handle height – without side-tilter




BS 25 – fixed handle height – without side-tilter

| SRH | Length | G | LC-MA | PU | Order number |
|-----------|---------|-----|-------|----|----------------|
| 1851-2100 | 1940 | 980 | 3 | 10 | G-22315-25-0-1 |
| 2101-2350 | 2190 | 980 | 4 | 10 | G-22316-25-0-1 |
| 2351-2600 | 2190 | 980 | 4 | 10 | G-22316-25-0-1 |
| | 250 [1] | | – | 10 | 8-00625-00-0-1 |
| 2601-2800 | 2190 | 980 | 4 | 10 | G-22316-25-0-1 |
| | 500 [1] | | 1 | 10 | 6-32142-00-0-1 |

BS 30 – fixed handle height – without side-tilter

| SRH | Length | G | LC-MA | PU | Order number |
|-----------|---------|-----|-------|----|----------------|
| 1851-2100 | 1940 | 980 | 3 | 10 | G-22315-30-0-1 |
| 2101-2350 | 2190 | 980 | 4 | 10 | G-22316-30-0-1 |
| 2351-2600 | 2190 | 980 | 4 | 10 | G-22316-30-0-1 |
| | 250 [1] | | – | 10 | 8-00625-00-0-1 |
| 2601-2800 | 2190 | 980 | 4 | 10 | G-22316-30-0-1 |
| | 500 [1] | | 1 | 10 | 6-32142-00-0-1 |

BS 35 – fixed handle height – without side-tilter

| SRH | Length | G | LC-MA | PU | Order number |
|-----------|---------|-----|-------|----|----------------|
| 1851-2100 | 1940 | 980 | 3 | 10 | G-22315-35-0-1 |
| 2101-2350 | 2190 | 980 | 4 | 10 | G-22316-35-0-1 |
| 2351-2600 | 2190 | 980 | 4 | 10 | G-22316-35-0-1 |
| | 250 [1] | | – | 10 | 8-00625-00-0-1 |
| 2601-2800 | 2190 | 980 | 4 | 10 | G-22316-35-0-1 |
| | 500 [1] | | 1 | 10 | 6-32142-00-0-1 |

BS 40 – fixed handle height – without side-tilter

| SRH | Length | G | LC-MA | PU | Order number |
|-----------|---------|-----|-------|----|----------------|
| 1851-2100 | 1940 | 980 | 3 | 10 | G-22315-40-0-1 |
| 2101-2350 | 2190 | 980 | 4 | 10 | G-22316-40-0-1 |
| 2351-2600 | 2190 | 980 | 4 | 10 | G-22316-40-0-1 |
| | 250 [1] | | – | 10 | 8-00625-00-0-1 |
| 2601-2800 | 2190 | 980 | 4 | 10 | G-22316-40-0-1 |
| | 500 [1] | | 1 | 10 | 6-32142-00-0-1 |

BS 45 – fixed handle height – without side-tilter

| SRH | Length | G | LC-MA | PU | Order number |
|-----------|---------|-----|-------|----|----------------|
| 1851-2100 | 1940 | 980 | 3 | 10 | G-22315-45-0-1 |
| 2101-2350 | 2190 | 980 | 4 | 10 | G-22316-45-0-1 |
| 2351-2600 | 2190 | 980 | 4 | 10 | G-22316-45-0-1 |
| | 250 [1] | | – | 10 | 8-00625-00-0-1 |
| 2601-2800 | 2190 | 980 | 4 | 10 | G-22316-45-0-1 |
| | 500 [1] | | 1 | 10 | 6-32142-00-0-1 |

Tilt&Turn drive-gear – PC-lockable

Backset 25–50 mm – fixed handle height – without side-tilter




BS 50 – fixed handle height – without side-tilter

| SRH | Length | G | LC-MA | PU | Order number |
|-----------|---------|-----|-------|----|----------------|
| 1851-2100 | 1940 | 980 | 3 | 10 | G-22315-50-0-1 |
| 2101-2350 | 2190 | 980 | 4 | 10 | G-22316-50-0-1 |
| 2351-2600 | 2190 | 980 | 4 | 10 | G-22316-50-0-1 |
| | 250 [1] | | – | 10 | 8-00625-00-0-1 |
| 2601-2800 | 2190 | 980 | 4 | 10 | G-22316-50-0-1 |
| | 500 [1] | | 1 | 10 | 6-32142-00-0-1 |

- When cropping the faceplate by less than 150 mm or when the notches are still visible after cropping, rod guide 8-00805 should be positioned at least 65 mm from the faceplate end.
- From SRH 851 mm, the drive-gears can be cropped by 160 mm at the bottom (e.g. for gear connector with side-tilter for side-tilting function or RC2).

[1] With SRH > 2350, extension 250 or 500 must be used.
 SRH 2351–2600: use extension 250 uncropped and crop the drive-gear at the top (0 up to 250 mm) according to SRH.
 SRH 2601–2800: use extension 500 cropped to dim. 450 and crop the drive-gear at the top (0 up to 200 mm) according to SRH.

- To find out which T&T drive-gears (25–50 mm backset) are compatible with the various lever-operated gears and also their application ranges, refer to drawing 0-45086.

Tilt&Turn drive-gear – PC-lockable

Backset 25–50 mm – variable handle height



BS 25 – variable handle height

| SRH | Length | G | LC-MA | PU | Order number |
|-----------|---------|----------|-------|----|----------------|
| 951-1450 | 1130 | 475-725 | 1 | 10 | G-22330-25-0-1 |
| 1451-1950 | 1630 | 725-975 | 2 | 10 | G-22331-25-0-1 |
| 1951-2450 | 2130 | 975-1225 | 3 | 10 | G-22332-25-0-1 |
| 2451-2700 | 2130 | 1225 | 3 | 10 | G-22332-25-0-1 |
| | 250 [1] | | – | 10 | 8-00625-00-0-1 |
| 2701-2800 | 2130 | 1225 | 3 | 10 | G-22332-25-0-1 |
| | 500 [1] | | 1 | 10 | 6-32142-00-0-1 |

BS 30 – variable handle height

| SRH | Length | G | LC-MA | PU | Order number |
|-----------|---------|----------|-------|----|----------------|
| 951-1450 | 1130 | 475-725 | 1 | 10 | G-22330-30-0-1 |
| 1451-1950 | 1630 | 725-975 | 2 | 10 | G-22331-30-0-1 |
| 1951-2450 | 2130 | 975-1225 | 3 | 10 | G-22332-30-0-1 |
| 2451-2700 | 2130 | 1225 | 3 | 10 | G-22332-30-0-1 |
| | 250 [1] | | – | 10 | 8-00625-00-0-1 |
| 2701-2800 | 2130 | 1225 | 3 | 10 | G-22332-30-0-1 |
| | 500 [1] | | 1 | 10 | 6-32142-00-0-1 |

BS 35 – variable handle height

| SRH | Length | G | LC-MA | PU | Order number |
|-----------|---------|----------|-------|----|----------------|
| 951-1450 | 1130 | 475-725 | 1 | 10 | G-22330-35-0-1 |
| 1451-1950 | 1630 | 725-975 | 2 | 10 | G-22331-35-0-1 |
| 1951-2450 | 2130 | 975-1225 | 3 | 10 | G-22332-35-0-1 |
| 2451-2700 | 2130 | 1225 | 3 | 10 | G-22332-35-0-1 |
| | 250 [1] | | – | 10 | 8-00625-00-0-1 |
| 2701-2800 | 2130 | 1225 | 3 | 10 | G-22332-35-0-1 |
| | 500 [1] | | 1 | 10 | 6-32142-00-0-1 |

BS 40 – variable handle height

| SRH | Length | G | LC-MA | PU | Order number |
|-----------|---------|----------|-------|----|----------------|
| 951-1450 | 1130 | 475-725 | 1 | 10 | G-22330-40-0-1 |
| 1451-1950 | 1630 | 725-975 | 2 | 10 | G-22331-40-0-1 |
| 1951-2450 | 2130 | 975-1225 | 3 | 10 | G-22332-40-0-1 |
| 2451-2700 | 2130 | 1225 | 3 | 10 | G-22332-40-0-1 |
| | 250 [1] | | – | 10 | 8-00625-00-0-1 |
| 2701-2800 | 2130 | 1225 | 3 | 10 | G-22332-40-0-1 |
| | 500 [1] | | 1 | 10 | 6-32142-00-0-1 |

Tilt&Turn drive-gear – PC-lockable

Backset 25–50 mm – variable handle height



BS 45 – variable handle height

| SRH | Length | G | LC-MA | PU | Order number |
|-----------|---------|----------|-------|----|----------------|
| 951-1450 | 1130 | 475-725 | 1 | 10 | G-22330-45-0-1 |
| 1451-1950 | 1630 | 725-975 | 2 | 10 | G-22331-45-0-1 |
| 1951-2450 | 2130 | 975-1225 | 3 | 10 | G-22332-45-0-1 |
| 2451-2700 | 2130 | 1225 | 3 | 10 | G-22332-45-0-1 |
| | 250 [1] | | – | 10 | 8-00625-00-0-1 |
| 2701-2800 | 2130 | 1225 | 3 | 10 | G-22332-45-0-1 |
| | 500 [1] | | 1 | 10 | 6-32142-00-0-1 |

BS 50 – variable handle height

| SRH | Length | G | LC-MA | PU | Order number |
|-----------|---------|----------|-------|----|----------------|
| 951-1450 | 1130 | 475-725 | 1 | 10 | G-22330-50-0-1 |
| 1451-1950 | 1630 | 725-975 | 2 | 10 | G-22331-50-0-1 |
| 1951-2450 | 2130 | 975-1225 | 3 | 10 | G-22332-50-0-1 |
| 2451-2700 | 2130 | 1225 | 3 | 10 | G-22332-50-0-1 |
| | 250 [1] | | – | 10 | 8-00625-00-0-1 |
| 2701-2800 | 2130 | 1225 | 3 | 10 | G-22332-50-0-1 |
| | 500 [1] | | 1 | 10 | 6-32142-00-0-1 |

- When cropping the faceplate by less than 150 mm or when the notches are still visible after cropping, rod guide 8-00805 should be positioned at least 65 mm from the faceplate end.

[1] With SRH > 2450, extension 250 or 500 must be used.
 SRH 2451–2700: use extension 250 uncropped and crop the drive-gear at the top (0 up to 250 mm) according to SRH.
 SRH 2701–2800: use extension 500 cropped to dim. 350 and crop the drive-gear at the top (0 up to 100 mm) according to SRH.

- To find out which T&T drive-gears (25–50 mm backset) are compatible with the various lever-operated gears and also their application ranges, refer to drawing 0-45086.

Tilt&Turn drive-gear – RC-lockable

Backset 25–50 mm – fixed handle height – without side-tilter



BS 25 – fixed handle height – without side-tilter

| SRH | Length | G | LC-MA | PU | Order number |
|-----------|---------|-----|-------|----|----------------|
| 1851-2100 | 1940 | 980 | 3 | 10 | G-22317-25-0-1 |
| 2101-2350 | 2190 | 980 | 4 | 10 | G-22318-25-0-1 |
| 2351-2600 | 2190 | 980 | 4 | 10 | G-22318-25-0-1 |
| | 250 [1] | | – | 10 | 8-00625-00-0-1 |
| 2601-2800 | 2190 | 980 | 4 | 10 | G-22318-25-0-1 |
| | 500 [1] | | 1 | 10 | 6-32142-00-0-1 |

BS 30 – fixed handle height – without side-tilter

| SRH | Length | G | LC-MA | PU | Order number |
|-----------|---------|-----|-------|----|----------------|
| 1851-2100 | 1940 | 980 | 3 | 10 | G-22317-30-0-1 |
| 2101-2350 | 2190 | 980 | 4 | 10 | G-22318-30-0-1 |
| 2351-2600 | 2190 | 980 | 4 | 10 | G-22318-30-0-1 |
| | 250 [1] | | – | 10 | 8-00625-00-0-1 |
| 2601-2800 | 2190 | 980 | 4 | 10 | G-22318-30-0-1 |
| | 500 [1] | | 1 | 10 | 6-32142-00-0-1 |

BS 35 – fixed handle height – without side-tilter

| SRH | Length | G | LC-MA | PU | Order number |
|-----------|---------|-----|-------|----|----------------|
| 1851-2100 | 1940 | 980 | 3 | 10 | G-22317-35-0-1 |
| 2101-2350 | 2190 | 980 | 4 | 10 | G-22318-35-0-1 |
| 2351-2600 | 2190 | 980 | 4 | 10 | G-22318-35-0-1 |
| | 250 [1] | | – | 10 | 8-00625-00-0-1 |
| 2601-2800 | 2190 | 980 | 4 | 10 | G-22318-35-0-1 |
| | 500 [1] | | 1 | 10 | 6-32142-00-0-1 |

BS 40 – fixed handle height – without side-tilter

| SRH | Length | G | LC-MA | PU | Order number |
|-----------|---------|-----|-------|----|----------------|
| 1851-2100 | 1940 | 980 | 3 | 10 | G-22317-40-0-1 |
| 2101-2350 | 2190 | 980 | 4 | 10 | G-22318-40-0-1 |
| 2351-2600 | 2190 | 980 | 4 | 10 | G-22318-40-0-1 |
| | 250 [1] | | – | 10 | 8-00625-00-0-1 |
| 2601-2800 | 2190 | 980 | 4 | 10 | G-22318-40-0-1 |
| | 500 [1] | | 1 | 10 | 6-32142-00-0-1 |

BS 45 – fixed handle height – without side-tilter

| SRH | Length | G | LC-MA | PU | Order number |
|-----------|---------|-----|-------|----|----------------|
| 1851-2100 | 1940 | 980 | 3 | 10 | G-22317-45-0-1 |
| 2101-2350 | 2190 | 980 | 4 | 10 | G-22318-45-0-1 |
| 2351-2600 | 2190 | 980 | 4 | 10 | G-22318-45-0-1 |
| | 250 [1] | | – | 10 | 8-00625-00-0-1 |
| 2601-2800 | 2190 | 980 | 4 | 10 | G-22318-45-0-1 |
| | 500 [1] | | 1 | 10 | 6-32142-00-0-1 |

Tilt&Turn drive-gear – RC-lockable

Backset 25–50 mm – fixed handle height – without side-tilter



BS 50 – fixed handle height – without side-tilter

| SRH | Length | G | LC-MA | PU | Order number |
|-----------|---------|-----|-------|----|----------------|
| 1851-2100 | 1940 | 980 | 3 | 10 | G-22317-50-0-1 |
| 2101-2350 | 2190 | 980 | 4 | 10 | G-22318-50-0-1 |
| 2351-2600 | 2190 | 980 | 4 | 10 | G-22318-50-0-1 |
| | 250 [1] | | – | 10 | 8-00625-00-0-1 |
| 2601-2800 | 2190 | 980 | 4 | 10 | G-22318-50-0-1 |
| | 500 [1] | | 1 | 10 | 6-32142-00-0-1 |

- When cropping the faceplate by less than 150 mm or when the notches are still visible after cropping, rod guide 8-00805 should be positioned at least 65 mm from the faceplate end.
- From SRH 851 mm, the drive-gears can be cropped by 160 mm at the bottom (e.g. for gear connector with side-tilter for side-tilting function or RC2).

[1] With SRH > 2350, extension 250 or 500 must be used.
 SRH 2351–2600: use extension 250 uncropped and crop the drive-gear at the top (0 up to 250 mm) according to SRH.
 SRH 2601–2800: use extension 500 cropped to dim. 450 and crop the drive-gear at the top (0 up to 200 mm) according to SRH.

- To find out which T&T drive-gears (25–50 mm backset) are compatible with the various lever-operated gears and also their application ranges, refer to drawing 0-45086.

Tilt&Turn drive-gear – RC-lockable

Backset 25–50 mm – variable handle height



BS 25 – variable handle height

| SRH | Length | G | LC-MA | PU | Order number |
|-----------|---------|----------|-------|----|----------------|
| 951-1450 | 1130 | 475-725 | 1 | 10 | G-22333-25-0-1 |
| 1451-1950 | 1630 | 725-975 | 2 | 10 | G-22334-25-0-1 |
| 1951-2450 | 2130 | 975-1225 | 3 | 10 | G-22335-25-0-1 |
| 2451-2700 | 2130 | 1225 | 3 | 10 | G-22335-25-0-1 |
| | 250 [1] | | – | 10 | 8-00625-00-0-1 |
| 2701-2800 | 2130 | 1225 | 3 | 10 | G-22335-25-0-1 |
| | 500 [1] | | 1 | 10 | 6-32142-00-0-1 |

BS 30 – variable handle height

| SRH | Length | G | LC-MA | PU | Order number |
|-----------|---------|----------|-------|----|----------------|
| 951-1450 | 1130 | 475-725 | 1 | 10 | G-22333-30-0-1 |
| 1451-1950 | 1630 | 725-975 | 2 | 10 | G-22334-30-0-1 |
| 1951-2450 | 2130 | 975-1225 | 3 | 10 | G-22335-30-0-1 |
| 2451-2700 | 2130 | 1225 | 3 | 10 | G-22335-30-0-1 |
| | 250 [1] | | – | 10 | 8-00625-00-0-1 |
| 2701-2800 | 2130 | 1225 | 3 | 10 | G-22335-30-0-1 |
| | 500 [1] | | 1 | 10 | 6-32142-00-0-1 |

BS 35 – variable handle height

| SRH | Length | G | LC-MA | PU | Order number |
|-----------|---------|----------|-------|----|----------------|
| 951-1450 | 1130 | 475-725 | 1 | 10 | G-22333-35-0-1 |
| 1451-1950 | 1630 | 725-975 | 2 | 10 | G-22334-35-0-1 |
| 1951-2450 | 2130 | 975-1225 | 3 | 10 | G-22335-35-0-1 |
| 2451-2700 | 2130 | 1225 | 3 | 10 | G-22335-35-0-1 |
| | 250 [1] | | – | 10 | 8-00625-00-0-1 |
| 2701-2800 | 2130 | 1225 | 3 | 10 | G-22335-35-0-1 |
| | 500 [1] | | 1 | 10 | 6-32142-00-0-1 |

BS 40 – variable handle height

| SRH | Length | G | LC-MA | PU | Order number |
|-----------|---------|----------|-------|----|----------------|
| 951-1450 | 1130 | 475-725 | 1 | 10 | G-22333-40-0-1 |
| 1451-1950 | 1630 | 725-975 | 2 | 10 | G-22334-40-0-1 |
| 1951-2450 | 2130 | 975-1225 | 3 | 10 | G-22335-40-0-1 |
| 2451-2700 | 2130 | 1225 | 3 | 10 | G-22335-40-0-1 |
| | 250 [1] | | – | 10 | 8-00625-00-0-1 |
| 2701-2800 | 2130 | 1225 | 3 | 10 | G-22335-40-0-1 |
| | 500 [1] | | 1 | 10 | 6-32142-00-0-1 |

Tilt&Turn drive-gear – RC-lockable

Backset 25–50 mm – variable handle height



BS 45 – variable handle height

| SRH | Length | G | LC-MA | PU | Order number |
|-----------|---------|----------|-------|----|----------------|
| 951-1450 | 1130 | 475-725 | 1 | 10 | G-22333-45-0-1 |
| 1451-1950 | 1630 | 725-975 | 2 | 10 | G-22334-45-0-1 |
| 1951-2450 | 2130 | 975-1225 | 3 | 10 | G-22335-45-0-1 |
| 2451-2700 | 2130 | 1225 | 3 | 10 | G-22335-45-0-1 |
| | 250 [1] | | – | 10 | 8-00625-00-0-1 |
| 2701-2800 | 2130 | 1225 | 3 | 10 | G-22335-45-0-1 |
| | 500 [1] | | 1 | 10 | 6-32142-00-0-1 |

BS 50 – variable handle height

| SRH | Length | G | LC-MA | PU | Order number |
|-----------|---------|----------|-------|----|----------------|
| 951-1450 | 1130 | 475-725 | 1 | 10 | G-22333-50-0-1 |
| 1451-1950 | 1630 | 725-975 | 2 | 10 | G-22334-50-0-1 |
| 1951-2450 | 2130 | 975-1225 | 3 | 10 | G-22335-50-0-1 |
| 2451-2700 | 2130 | 1225 | 3 | 10 | G-22335-50-0-1 |
| | 250 [1] | | – | 10 | 8-00625-00-0-1 |
| 2701-2800 | 2130 | 1225 | 3 | 10 | G-22335-50-0-1 |
| | 500 [1] | | 1 | 10 | 6-32142-00-0-1 |

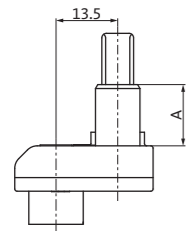
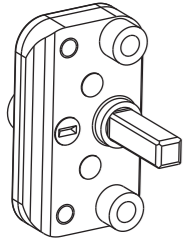
- When cropping the faceplate by less than 150 mm or when the notches are still visible after cropping, rod guide 8-00805 should be positioned at least 65 mm from the faceplate end.

[1] With SRH > 2450, extension 250 or 500 must be used.
 SRH 2451–2700: use extension 250 uncropped and crop the drive-gear at the top (0 up to 250 mm) according to SRH.
 SRH 2701–2800: use extension 500 cropped to dim. 350 and crop the drive-gear at the top (0 up to 100 mm) according to SRH.

- To find out which T&T drive-gears (25–50 mm backset) are compatible with the various lever-operated gears and also their application ranges, refer to drawing 0-45086.

Special gears

Backset reducing gear (minus 5)



Backset reducing gear (minus 5) for PVC windows

| Profile system | Dimension A [mm] | PU | Order number |
|---|------------------|-----|----------------|
| KBE 2005, Veka 2000 / Contour Bouvet 13 / 8 | 8.6 | 100 | G-20543-01-0-1 |
| Plastival PF5900 / DC78, Aluplast Profex 2000 | 13 | 100 | G-20543-02-0-1 |
| Acome, Bouvet 13 / 13, Oxxo Evolution, Rehau 5729, Socred | 13.5 | 100 | G-20543-03-0-1 |
| Deceuninck Mondial, Slimline Grosfillex | 14.5 | 100 | G-20543-04-0-1 |
| Kömmerring Eurodur 35 | 12.3 | 100 | G-20543-05-0-1 |
| Grosfillex | 10.6 | 100 | G-20543-06-0-1 |
| Deceuninck 3000 | 16 | 100 | G-20543-07-0-1 |
| Schüco | 18 | 100 | G-20543-08-0-1 |
| Schüco | 6 | 100 | G-20543-09-0-1 |
| Bouvet | 8.6 | 100 | G-20543-10-0-1 |

Drive-gear connectors

Gear connectors



Gear connector 180° – bottom

| Travel | LC-MA | PU | Order number |
|--------|-------|----|----------------|
| 180° | - | 10 | 6-32303-00-0-1 |

Gear connector 90° – top

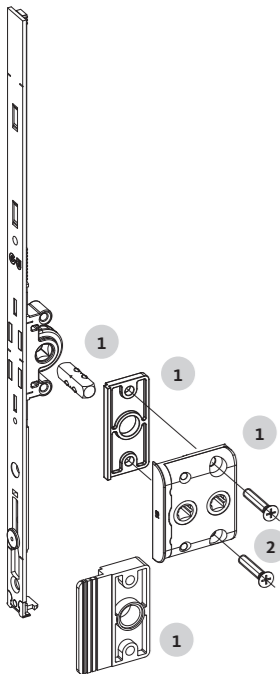
| Travel | LC-MA | PU | Order number |
|--------|-------|----|----------------|
| 90° | - | 10 | 6-32624-00-0-1 |

Gear connector 180° – bottom

| Travel | LC-MA | PU | Order number |
|--------|-------|----|----------------|
| 180° | 1 | 10 | 6-32105-00-0-1 |

Gear connector 90° – top

| Travel | LC-MA | PU | Order number |
|--------|-------|----|----------------|
| 90° | 1 | 10 | 6-32104-00-0-1 |



Backset reducing gear (minus 5) for timber windows with 9 mm axis

| Overlap [mm] | Description | Item | PU | Order number |
|--------------|------------------------|------|-----|----------------|
| 15 | Without overlap gasket | 1 | 100 | 6-31094-15-0-1 |
| 18 | | | 100 | 6-31094-18-0-1 |
| 20 | | | 100 | 6-31094-20-0-1 |
| 15 | With overlap gasket | 1 | 100 | 6-35777-15-0-1 |
| 18 | | | 100 | 6-35777-18-0-1 |
| 20 | | | 100 | 6-35777-20-0-1 |

Backset reducing gear (minus 5) for timber windows with 13 mm axis

| Overlap [mm] | Description | Item | PU | Order number |
|--------------|------------------------|------|-----|----------------|
| 18 | Without overlap gasket | 1 | 100 | 6-34351-18-0-1 |
| 20 | | | 100 | 6-34351-20-0-1 |
| 18 | With overlap gasket | 1 | 100 | 6-35778-18-0-1 |
| 20 | | | 100 | 6-35778-20-0-1 |

Countersunk screw for backset reducing gear (minus 5) (timber windows)

| Description | Item | PU | Order number |
|-------------------|------|-----|----------------|
| M5 x 22 (DIN 965) | 2 | 100 | 9-13255-22-R-1 |
| M5 x 25 (DIN 965) | | 100 | 9-13255-25-R-1 |

Used on the active sash of 2-sashed windows with symmetrical window handle installation on the overlap profile (see installation drawing 0-44764)

Drive-gear connectors

Gear connectors



Gear connector with side-tilter – for side-tilting function – bottom

| SRH | PU | Order number |
|----------|----|----------------|
| 480-590 | 10 | 6-32155-01-0-1 |
| 591-950 | 10 | 6-32155-02-0-1 |
| 951-2800 | 10 | 6-32155-03-0-1 |



Gear connector with protrusion – bottom

| Description | PU | Order number |
|--|----|----------------|
| For 2-sashed windows – for side-tilting function (with integrated T&T striker) | 10 | 6-26077-00-0-1 |

Gear connector with protrusion – top

| Description | PU | Order number |
|--|----|----------------|
| For 2-sashed windows (with integrated striker) | 10 | 6-25171-00-0-1 |



Gear connector with protrusion – top

| Description | PU | Order number |
|--|----|----------------|
| For 2-sashed windows (without striker) | 10 | 6-24947-00-0-1 |



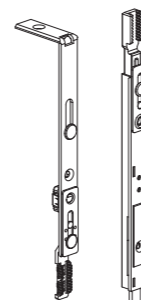
Drive-gear connectors

Gear connector, reversing gear



Gear connector for round arch – top

| Description | PU | Order number |
|--|----|----------------|
| For 1-sashed arched windows (with striker) | 10 | 6-32951-00-0-1 |



Reversing gear

- Component length: 160 mm
- Protrusion length: 17 mm
- Compatible with T&T drive-gears with variable handle height
- The lower component features 90° lift reversal, the upper component has a linear function

Gear connector set with lift reversal

| Description | Contents | PU | Order number |
|---|--------------------------------|----|----------------|
| For 1- and 2-sashed PVC, timber and aluminium windows | Upper component 8-00676-00-0-1 | 10 | 8-00680-00-0-1 |
| | Lower component 8-00670-00-0-1 | | |

Drive-gear connectors

Gear connectors – Sec version for RC2



| Gear connector 180° – Sec version for RC2 – bottom | | | | |
|--|--------|-------|----|----------------|
| Description | Travel | LC-MA | PU | Order number |
| For 2-sashed PVC windows and 1- or 2-sashed timber and aluminium windows | 180° | 1 | 10 | 6-33205-00-0-1 |



| Gear connector 180° for passive sash – Sec version for RC2 – bottom | | | | |
|---|--------|---|----|----------------|
| Description | Travel | S | PU | Order number |
| For 2-sashed PVC, timber and aluminium windows | 180° | 1 | 10 | G-22910-00-0-1 |

| Gear connector 180° for passive sash – Sec version for RC2 – top | | | | |
|--|--------|---|----|----------------|
| Description | Travel | S | PU | Order number |
| For 2-sashed PVC, timber and aluminium windows | 180° | 1 | 10 | G-22911-00-0-1 |

Drive-gears – accessories

Logo clip, cover faceplate, rod guide



| Logo clip for drive-gears | | |
|---------------------------|-----|----------------|
| Description | PU | Order number |
| With GU logo [1] | 100 | E-21062-00-0-6 |

[1] with own company logo on request



| Cover faceplate (steel) for 16 mm sash hardware groove | | |
|--|----|----------------|
| Length | PU | Order number |
| 1100 mm | 10 | 9-29198-00-0-1 |



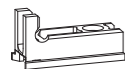
| Groove filler (plastic) for 16 mm sash hardware groove | | | |
|--|--------------|----|----------------|
| Colour | Length | PU | Order number |
| Grey | 200 m / roll | 1 | H-00786-00-0-1 |
| Brown | | 1 | H-00786-00-0-5 |
| White | | 1 | H-00786-00-0-7 |



| Rod guide | | |
|--|-----|----------------|
| Description | PU | Order number |
| When cropping the faceplate by less than 150 mm or when the notches are still visible after cropping, position at least 65 mm before the faceplate end | 100 | 8-00805-00-0-0 |

Drive-gears – accessories

Fixing plates



| Fixing plate 40 mm | | | |
|---|-----|----------------|--|
| Description | PU | Order number | |
| Used with Tilt&Turn and Turn-Only windows, if a centre-lock is not used horizontally at the bottom (for fastening the drive-gear) | 100 | 9-35697-00-0-1 | |



| Fixing plate 80 mm | | | |
|---|----------------------|--------------|----------------|
| Description | PU | Order number | |
| Used with Tilt&Turn and Turn-Only windows, if a centre-lock is not used horizontally at the bottom (for fastening the drive-gear) | without run-up block | 100 | 9-39386-00-0-1 |
| | with run-up block | 100 | 9-42373-00-0-1 |

Drive-gears – accessories

Run-up block



| Run-up block made of steel (sash part) | | |
|--|-----|----------------|
| Description | PU | Order number |
| Can be screwed to centre-lock 160 (6-24502). To reduce the load on the sash and maintain the 12 mm clearance | 100 | 9-35380-68-0-0 |



| Run-up block for 12 mm clearance (frame part) | | |
|--|-----|----------------|
| Description | PU | Order number |
| Non-handed counterpart to run-up block (sash part) To reduce the load on the sash and maintain the 12 mm clearance | 100 | 6-24201-01-0-1 |



| Run-up block for 4 mm clearance (frame part) | | |
|---|-----|----------------|
| Description | PU | Order number |
| Non-handed counterpart to run-up block (sash part) To reduce the load on the sash and maintain the 4 mm clearance | 100 | 6-24201-02-0-1 |

Table of contents



2.3 Extensions

| | |
|--------------------|-----|
| 130 and 250 | 146 |
| 500 | 147 |
| Coupling extension | 148 |

Extensions 130 and 250



| Extension 130 | | | |
|-----------------------|-------|----|----------------|
| Description | LC-MA | PU | Order number |
| Can be used up to RC2 | 1 | 10 | 6-35926-00-0-1 |

| Extension 130 with slider for run-up block | | | |
|---|-------|----|----------------|
| Description | LC-MA | PU | Order number |
| For arched and pitched windows, at bottom horizontally with run-up stop | - | 10 | 6-33711-00-0-1 |

| Extension 250 | | | |
|---|-------|----|----------------|
| Description | LC-MA | PU | Order number |
| Can be used up to RC2 and cropped by 130 mm | - | 10 | 8-00625-00-0-1 |

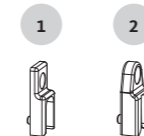
Extensions 500



| Extension 500 | | | |
|---|-------|----|----------------|
| Description | LC-MA | PU | Order number |
| Can be used up to RC2 and cropped by 250 mm | 1 | 10 | 6-32142-00-0-1 |

| Extension 500 | | | | |
|---------------|---|-------|-----|----------------|
| | Description | LC-MA | PU | Order number |
| | Can be used up to RC2 and cropped by 250 mm | - | 10 | G-21040-00-0-1 |
| 1 | Screw-on type standard striker for 2-sashed elements | | 100 | 9-30256-00-0-1 |
| 2 | Screw-on type steel Sec striker for 2-sashed elements | | 100 | E-19813-00-0-1 |

- When cropping the faceplate by less than 150 mm or when the notches are still visible after cropping, rod guide 8-00805 should be positioned at least 65 mm from the faceplate end.

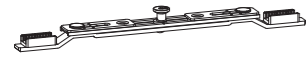


| Sec extension 500 | | | |
|---|-------|----|----------------|
| Description | LC-MA | PU | Order number |
| Can be used up to RC3 and cropped by 250 mm, with stainless steel striker | 1 | 10 | 6-29858-00-0-1 |

- When cropping the faceplate by less than 150 mm or when the notches are still visible after cropping, rod guide 8-00805 should be positioned at least 65 mm from the faceplate end.

Extensions

Coupling extension



| Coupling extension | | | |
|--|-------|----|----------------|
| Description | LC-MA | PU | Order number |
| For connection of two croppable components, can be used e.g. with wide Tilt-Only sashes Length 140 mm | 1 | 10 | 6-32334-00-0-1 |

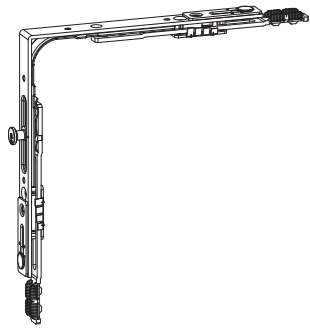
Table of contents



2.4 Corner-drives

| | |
|---------------------|-----|
| Length 160 x 160 mm | 150 |
| Length 160 x 215 mm | 152 |
| Length 125 x 45 mm | 153 |
| Length 160 x 45 mm | 153 |

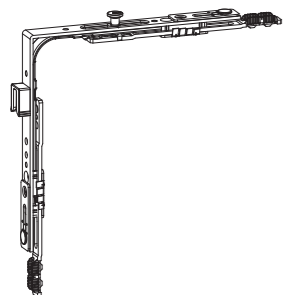
Corner-drives 160 x 160



| Standard corner-drive | | | | |
|-----------------------|---------|-------|----|----------------|
| Application range | Length | LC-MA | PU | Order number |
| Basic security | 160/160 | 1 | 10 | 6-32021-00-0-1 |

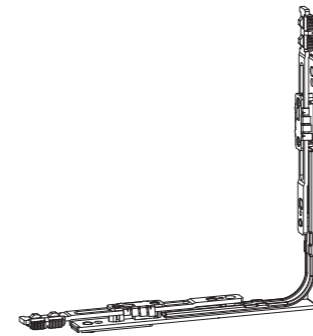


| Security corner-drive | | | | |
|-----------------------|---------|-------|----|----------------|
| Application range | Length | LC-MA | PU | Order number |
| RC1N / RC2N / RC2 | 160/160 | 2 | 10 | 6-31753-00-0-1 |



| Security corner-drive – for 2-sashed elements | | | | |
|---|---------|-------|----|----------------|
| Application range | Length | LC-MA | PU | Order number |
| RC1N / RC2N / RC2 2-sashed, with integrated vertical striker | 160/160 | 1 | 10 | G-22492-00-0-1 |

Corner-drives 160 x 160



| Corner-drive without locking cam | | | | |
|--|---------|-------|----|----------------|
| Application range | Length | LC-MA | PU | Order number |
| 1- and 2-sashed special applications / pitched or arched windows | 160/160 | – | 10 | 6-26743-00-0-1 |

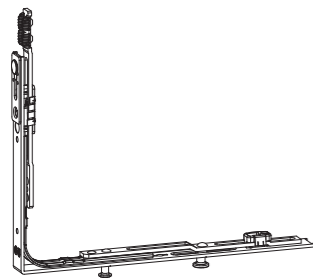


| Corner-drive without horizontal coupling | | | | |
|--|---------|-------|----|----------------|
| Application range | Length | LC-MA | PU | Order number |
| 1- and 2-sashed Turn-Only windows | 160/160 | 1 | 10 | G-13399-00-0-1 |

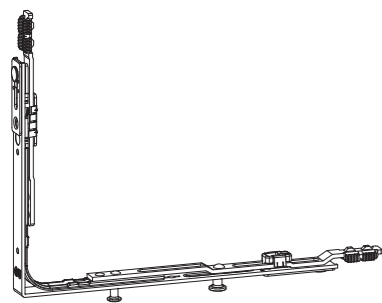


| Corner-drive – for pitched windows | | | | |
|------------------------------------|---------|-------|----|----------------|
| Application range | Length | LC-MA | PU | Order number |
| Pitched window | 160/160 | 1 | 10 | 6-32086-00-0-1 |

Corner-drives 160 x 215



| T&T corner-drive 215 | | | | |
|---|---------|-------|----|----------------|
| Application range | Length | LC-MA | PU | Order number |
| 1- and 2-sashed Tilt&Turn windows with VHH drive-gear | 160/215 | 1 | 10 | 6-32293-00-0-1 |



| T&T corner-drive 215-C (coupleable) | | | | |
|---|---------|-------|----|----------------|
| Application range | Length | LC-MA | PU | Order number |
| 1- and 2-sashed Tilt&Turn windows with VHH drive-gear | 160/215 | 1 | 10 | 6-32292-00-0-1 |

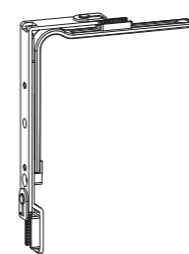
Corner-drives 125 x 45 mm, 160 x 45 mm

S and SLK corner-drives



| S corner-drive | | | | |
|------------------------------|--------|-------|----|----------------|
| Application range | Length | LC-MA | PU | Order number |
| For low or narrow windows | 125/45 | 1 | 10 | 6-32238-00-0-1 |

■ Installation according to drawing 0-45986



| S corner-drive with protrusion | | | | |
|---|--------|-------|----|----------------|
| Application range | Length | LC-MA | PU | Order number |
| For low or narrow windows, with 11 mm vertical protrusion | 125/45 | - | 10 | 6-24399-00-0-1 |



| SLK corner-drive | | | | |
|------------------------------|--------|-------|----|----------------|
| Application range | Length | LC-MA | PU | Order number |
| For low or narrow windows | 160/45 | 1 | 10 | 6-32224-00-0-1 |

Table of contents

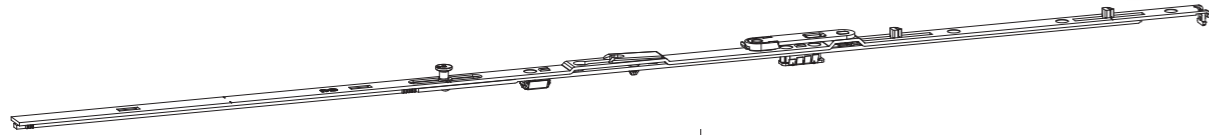


2.5 Stay-guides

| | |
|------------------------------|-----|
| For D, M S and C hinge-sides | 156 |
| For D, M and S hinge-sides | 157 |
| For SCF hinge-side | 158 |
| For CONTURA hinge-side | 159 |
| Stay-guide accessories | 160 |

Stay-guides

For D, M S and C hinge-sides

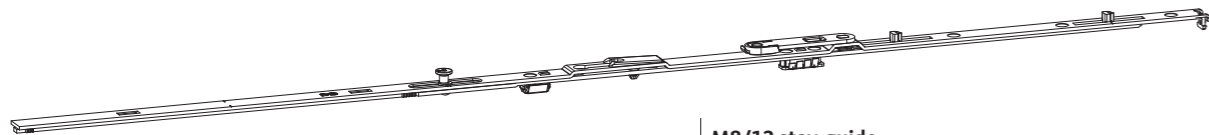


| Stay-guide – Standard and RC2 | | | | |
|--------------------------------|--------|-------|----|----------------|
| SRW | Length | LC-MA | PU | Order number |
| 280-400 [1] | 350 | – | 10 | 6-31512-03-0-1 |
| 401-500 | 350 | – | 10 | 6-31512-03-0-1 |
| 501-750 | 590 | – | 10 | 6-31512-06-0-1 |
| 751-1000 | 840 | 1 | 10 | 6-31512-08-0-1 |
| 951-1200 | 1040 | 1 | 10 | 6-31512-10-0-1 |
| 1201-1450 | 1290 | 1 | 10 | 6-31512-12-0-1 |
| Additional stay for Tilt&Turn | | | | |
| 1201-1600 [2][3] | 250 | – | 10 | 8-00734-00-0-1 |
| Additional stay for Tilt-First | | | | |
| 1201-1600 [2][3] | 250 | – | 10 | G-45995-00-0-1 |

[1] SRW 280–400 only possible in conjunction with corner-drive S 6-32238 or corner-drive SLK 6-32224. Installation according to drawing 0-45986.

[2] Use additional stay with SRW 1301–1600. Installation according to drawing 0-46684.

[3] Use additional stay with SRW 1201–1600 and sash weights > 100 kg. Important: for SRW 1201-1450 additional stay in conjunction with stay-guide 6-31512-10. Installation according to drawing 0-46684.



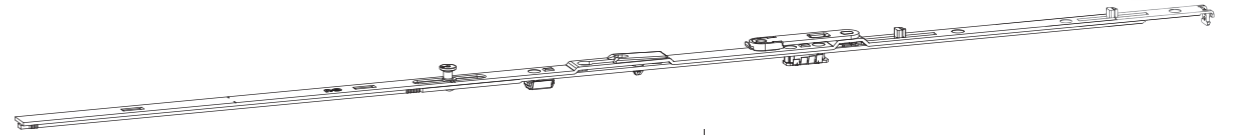
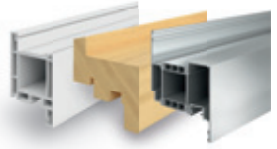
| M8/12 stay-guide | | | | |
|--------------------------------|--------|-------|----|----------------|
| SRW | Length | LC-MA | PU | Order number |
| 600-750 | 590 | – | 10 | 6-31512-06-0-1 |
| 751-1000 | 840 | 1 | 10 | 6-31512-08-0-1 |
| 951-1400 | 1040 | 1 | 10 | 6-31512-10-0-1 |
| 1451-1700 | 1290 | 1 | 10 | 6-31512-12-0-1 |
| Additional stay for Tilt&Turn | | | | |
| 1201-1700 [4] | 250 | – | 10 | 8-00734-00-0-1 |
| Additional stay for Tilt-First | | | | |
| 1201-1700 [4] | 250 | – | 10 | G-45995-00-0-1 |

[4] Use an additional stay for SRW 1201–1700. Installation according to drawing 0-46684. For further details see installation drawing 0-46792 (M8/12).

■ When cropping the faceplate by less than 150 mm or when the notches are still visible after cropping, rod guide 8-00805 should be positioned at least 65 mm from the faceplate end.

Stay-guides for wide Tilt-Only windows

For D, M and S hinge-sides



| Stay-guide for wide Tilt-Only windows | | | | |
|---------------------------------------|--------|-------|----|----------------|
| SRW | Length | LC-MA | PU | Order number |
| 1320-1720 | 840 | 1 | 10 | 6-31512-08-0-1 |
| 1721-2220 | 1040 | 1 | 10 | 6-31512-10-0-1 |

■ When cropping the faceplate by less than 150 mm or when the notches are still visible after cropping, rod guide 8-00805 should be positioned at least 65 mm from the faceplate end.

■ For wide Tilt-Only sashes up to SRW 2220 in conjunction with stay-guide of Tilt-Only stay 6-32183 and coupling extension 6-32334. Installation according to drawing 0-47052 (PVC/aluminium) and 0-47277 (timber).

■ Opening width approx. 140 mm.



| Stay-guide of Tilt-Only stay | | | | |
|------------------------------|--------|-------|----|----------------|
| SRW | Length | LC-MA | PU | Order number |
| 1320-1720 | 630 | 1 | 10 | 6-32183-01-0-1 |
| 1721-2220 | 880 | 1 | 10 | 6-32183-02-0-1 |

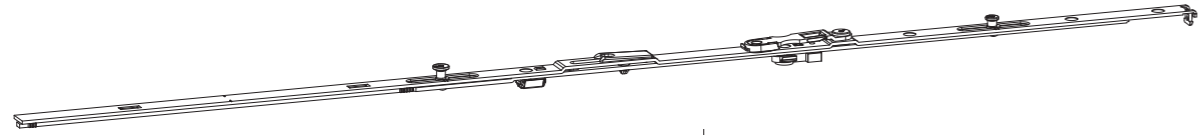
■ When cropping the faceplate by less than 150 mm or when the notches are still visible after cropping, rod guide 8-00805 should be positioned at least 65 mm from the faceplate end.

■ For wide Tilt-Only sashes up to SRW 2220 in conjunction with stay-guide 6-31512-08/-10 and coupling extension 6-32334. Installation according to drawing 0-47052 (PVC/aluminium) and 0-47277 (timber).

■ Opening width approx. 140 mm.

Stay-guides

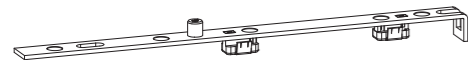
For SCF and CC hinge-sides



| SCF/CC stay-guide – Standard and RC2 | | | | |
|--------------------------------------|--------|-------|----|----------------|
| SRW | Length | LC-MA | PU | Order number |
| 390-419 [1] | 590 | – | 10 | 6-39074-06-0-1 |
| 420-500 [2] | 590 | – | 10 | 6-39074-06-0-1 |
| 501-750 | 590 | – | 10 | 6-39074-06-0-1 |
| 751-1000 | 840 | 1 | 10 | 6-39074-08-0-1 |
| 951-1400 | 1040 | 1 | 10 | 6-39074-10-0-1 |
| Additional stay for Tilt&Turn | | | | |
| 1201-1400 [3] | 1040 | 1 | 10 | 6-39074-10-0-1 |
| | 250 | – | 10 | 8-00734-00-0-1 |
| Additional stay for Tilt-First | | | | |
| 1201-1400 [3] | 1040 | 1 | 10 | 6-39074-10-0-1 |
| | 250 | – | 10 | G-45995-00-0-1 |

- When cropping the faceplate by less than 150 mm or when the notches are still visible after cropping, rod guide 8-00805 should be positioned at least 65 mm from the faceplate end.
- Optional comfort component for Tilt&Turn applications: spacer 9-46909 for SCF stay-guide. Installation according to installation drawing 0-47360.

- [1] If the centre fixing (at the connecting rod) is detached and removed from the connecting rod prior to assembly of the stay-guide (in conjunction with corner-drive S 6-32238 or corner-drive SLK 6-32224), the SRW can be reduced to 390–419.
- [2] SRW 420–500 only possible in conjunction with corner-drive S 6-32238 or corner-drive SLK 6-32224.
- [3] Use additional stay with SRW 1201–1400. Installation according to drawing 0-46684.



| SCF/CC Turn-Only stay-guide | | | | |
|-----------------------------|--------|-------|----|----------------|
| SRW | Length | LC-MA | PU | Order number |
| 390-1400 | 250 | – | 10 | 6-39075-01-0-1 |

Stay-guides

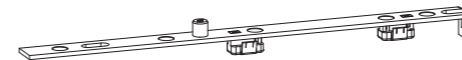
For CONTURA hinge-side



| CONTURA stay-guide – Standard and RC2 | | | | |
|---------------------------------------|--------|-------|----|----------------|
| SRW | Length | LC-MA | PU | Order number |
| 350-470 [1] | 400 | – | 10 | 6-37109-03-0-1 |
| 471-570 | 400 | – | 10 | 6-37109-03-0-1 |
| 571-750 | 590 | – | 10 | 6-37109-06-0-1 |
| 751-1000 | 840 | 1 | 10 | 6-37109-08-0-1 |
| 951-1200 | 1040 | 1 | 10 | 6-37109-10-0-1 |
| 1201-1450 | 1290 | 1 | 10 | 6-37109-12-0-1 |
| Additional stay for Tilt&Turn | | | | |
| 1301-1600 [2] | 1290 | 1 | 10 | 6-37109-12-0-1 |
| | 250 | – | 10 | 8-00734-00-0-1 |
| Additional stay for Tilt-First | | | | |
| 1301-1600 | 1290 | 1 | 10 | 6-37109-12-0-1 |
| | 250 | – | 10 | G-45995-00-0-1 |

- When cropping the faceplate by less than 150 mm or when the notches are still visible after cropping, rod guide 8-00805 should be positioned at least 65 mm from the faceplate end.

- [1] SRW 350–470 only possible in conjunction with corner-drive S 6-32238 or corner-drive SLK 6-32224.
- [2] Use additional stay with SRW 1301–1600. Installation according to drawing 0-46684 (Tilt&Turn and Tilt-First). Standard/Sec centre-locks and Standard/Sec strikers can be installed in conjunction with 6 mm sash overlap width and 6/4 radius on the hinge-side (see installation drawing 0-46913). An additional stay is required with sash weights > 100 kg and SRW 1201–1600. **Attention:** with SRW 1201–1450, an additional stay-guide is required in conjunction with stay-guide 6-37109-10.



| CONTURA Turn-Only stay-guide | | | | |
|------------------------------|--------|----|----|----------------|
| SRW | Length | LC | PU | Order number |
| 350-1600 | 250 | – | 10 | 6-39075-01-0-1 |

Stay-guides

Accessories



| Rod guide | | |
|--|-----|----------------|
| Description | PU | Order number |
| Essential: when cropping the faceplate by less than 150 mm or when the notches are still visible after cropping the component, position at least 65 mm before the faceplate end. | 100 | 8-00805-00-0-0 |



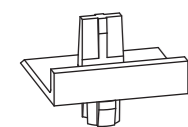
Additional Tilt&Turn stay



Additional Tilt-First stay

| Additional stay | | |
|-----------------|----|----------------|
| Description | PU | Order number |
| For Tilt&Turn | 10 | 8-00734-00-0-1 |
| For Tilt-First | 10 | G-45995-00-0-1 |

- For information on applications and installation refer to the installation drawing 0-46684 (Tilt&Turn and Tilt-First).
- 2 profile-specific packers are required on PVC and aluminium frames.
The respective order information can be found
 - in chapter 3.3 on page 260 (PVC systems)
 - in chapter 5.3 on page 479 (aluminium systems)



| Spacer for SCF stay-guide | | | |
|--|----|-----|----------------|
| Application range | AX | PU | Order number |
| Optional comfort component for Tilt&Turn and Tilt-First applications (see drawing 0-47360) | 9 | 100 | 9-46909-09-0-1 |
| | 13 | 100 | 9-46909-13-0-1 |

Table of contents



2.6 Centre-locks

Additional locking devices

| | |
|--|-----|
| For Tilt&Turn sashes | 162 |
| Hinge-side – standard | 164 |
| Sec hinge-side – security | 165 |
| Hinge-side – UNI-JET SCF | 166 |
| Centre-lock extension – for arched and pitched windows | 167 |
| For Turn-Only sashes | 168 |
| Special solutions | 169 |
| For GU system thresholds (horizontal bottom) | 170 |

CONTURA centre-locks

Rebate with 7 mm overlap

| | |
|---------------------------|-----|
| Hinge-side – standard | 171 |
| Sec hinge-side – security | 172 |

Special rebate with 6 mm overlap, round

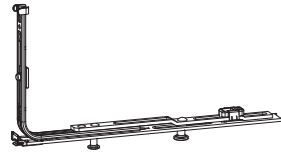
| | |
|---------------------------|-----|
| Hinge-side – standard | 173 |
| Sec hinge-side – security | 174 |

T&T centre-locks for Tilt&Turn sashes



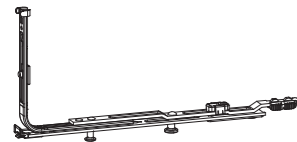
| T&T centre-lock | | | | |
|-----------------|--------|-------|----|----------------|
| SRW | Length | LC-MA | PU | Order number |
| 280-750 | 215 | 1 | 10 | 6-32012-00-0-1 |
| 401-750 | 330 | 2 | 10 | 6-32076-03-0-1 |
| 751-950 | 530 | 2 | 10 | 6-32076-05-0-1 |
| 951-1200 | 740 | 2 | 10 | 6-32076-07-0-1 |
| 1201-1600 | 1050 | 3 | 10 | 6-32076-10-0-1 |

■ The specified quantity of locking cams (LC-MA) refers to the locking cams that can be adjusted in terms of gasket pressure.



| T&T centre-lock 215 | | | | |
|---------------------|--------|-------|----|----------------|
| SRW | Length | LC-MA | PU | Order number |
| 280-750 | 215 | 1 | 10 | 6-32012-00-0-1 |

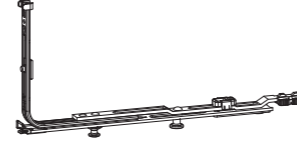
■ The specified quantity of locking cams (LC-MA) refers to the locking cams that can be adjusted in terms of gasket pressure.



| T&T centre-lock 215-C (coupleable) | | | | |
|------------------------------------|--------|-------|----|----------------|
| SRW | Length | LC-MA | PU | Order number |
| 280-1600 | 215 | 1 | 10 | 6-32013-00-0-1 |

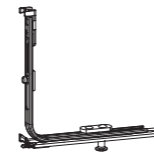
■ The specified quantity of locking cams (LC-MA) refers to the locking cams that can be adjusted in terms of gasket pressure.

T&T centre-locks for Tilt&Turn sashes



| T&T centre-lock 215-C (coupleable) for narrow arched windows | | | | |
|--|--------|-------|----|----------------|
| SRW | Length | LC-MA | PU | Order number |
| 455-1250 | 215 | 1 | 10 | 6-32013-01-0-1 |

■ The specified quantity of locking cams (LC-MA) refers to the locking cams that can be adjusted in terms of gasket pressure.

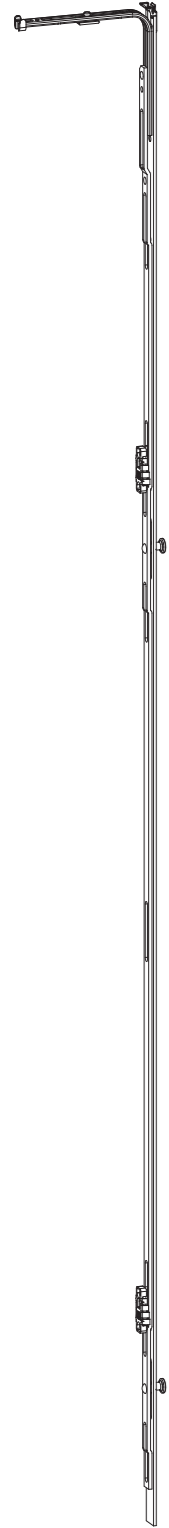


| T&T centre-lock 116 | | | | |
|---------------------|--------|-------|----|----------------|
| SRW | Length | LC-MA | PU | Order number |
| 280-750 | 116 | - | 10 | 6-33374-00-0-1 |



| Travel restrictor | | |
|--|-----|----------------|
| Description | PU | Order number |
| A Tilt&Turn window can be converted into a Turn-Only window by installing the travel restrictor. | 100 | 9-33432-00-0-1 |

Hinge-side centre-locks – standard



| Centre-lock on hinge-side (for drive-gears with variable handle height) | | | | |
|--|--------|-------|----|----------------|
| SRH | Length | LC-MA | PU | Order number |
| 721-1100 | 530 | 1 | 10 | 6-32075-05-0-1 |
| 1101-1350 | 740 | 1 | 10 | 6-32075-07-0-1 |
| 1351-1700 | 1190 | 2 | 10 | 6-32075-12-0-1 |
| 1701-2100 | 1450 | 2 | 10 | 6-32075-15-0-1 |
| 2101-2500 | 1890 | 3 | 10 | 6-32075-19-0-1 |
| 2501-2800 [1] | 215 | 1 | 10 | 6-32011-00-0-1 |
| | 2030 | 4 | 10 | 6-32494-90-0-1 |

[1] With SRH 2500–2800 (in conjunction with VHH drive-gear), the coupleable Sec centre-lock 6-32011-00-0-1 is used in conjunction with T&S extension 6-32494-90-0-1.
When cropping the faceplate by less than 150 mm or when the notches are still visible after cropping, rod guide 8-00805 should be positioned at least 65 mm from the faceplate end.

| Centre-lock on hinge-side (for drive-gears with fixed handle height) | | | | |
|---|--------|-------|----|----------------|
| SRH | Length | LC-MA | PU | Order number |
| 721-1100 | 530 | 1 | 10 | 6-32075-05-0-1 |
| 1101-1350 | 740 | 1 | 10 | 6-32075-07-0-1 |
| 1351-1850 | 1190 | 2 | 10 | 6-32075-12-0-1 |
| 1851-2100 | 1450 | 2 | 10 | 6-32075-15-0-1 |
| 2101-2500 | 1890 | 3 | 10 | 6-32075-19-0-1 |
| 2501-2800 [1] | 215 | 1 | 10 | 6-32011-00-0-1 |
| | 2030 | 4 | 10 | 6-32494-90-0-1 |

[1] With SRH 2500–2800 (in conjunction with FHH drive-gear), the coupleable Sec centre-lock 6-32011-00-0-1 is used in conjunction with T&S extension 6-32494-90-0-1.
When cropping the faceplate by less than 150 mm or when the notches are still visible after cropping, rod guide 8-00805 should be positioned at least 65 mm from the faceplate end.

Sec centre-locks on the hinge-side – security



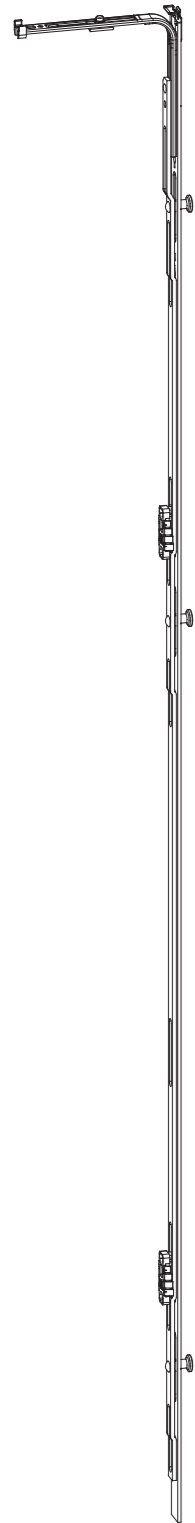
| Centre-lock on hinge-side (for drive-gears with variable handle height) | | | | |
|--|--------|-------|----|----------------|
| SRH | Length | LC-MA | PU | Order number |
| 350-720 | 215 | 1 | 10 | 6-32010-00-0-1 |
| 451-720 | 330 | 2 | 10 | 6-32008-03-0-1 |
| 721-1100 | 530 | 2 | 10 | 6-32008-05-0-1 |
| 721-1350 | 740 | 2 | 10 | 6-32008-07-0-1 |
| 1351-1700 | 1190 | 3 | 10 | 6-32008-12-0-1 |
| 1701-2100 | 1450 | 3 | 10 | 6-32008-15-0-1 |
| 2101-2500 | 1890 | 4 | 10 | 6-32008-19-0-1 |
| 2501-2800 [1] | 215 | 1 | 10 | 6-32011-00-0-1 |
| | 2030 | 4 | 10 | 6-32494-90-0-1 |

[1] With SRH 2500–2800 (in conjunction with VHH drive-gear), the coupleable Sec centre-lock 6-32011-00-0-1 is used in conjunction with T&S extension 6-32494-90-0-1.
When cropping the faceplate by less than 150 mm or when the notches are still visible after cropping, rod guide 8-00805 should be positioned at least 65 mm from the faceplate end.

| Centre-lock on hinge-side (for drive-gears with fixed handle height) | | | | |
|---|--------|-------|----|----------------|
| SRH | Length | LC-MA | PU | Order number |
| 350-720 | 215 | 1 | 10 | 6-32010-00-0-1 |
| 451-720 | 330 | 2 | 10 | 6-32008-03-0-1 |
| 721-1100 | 530 | 2 | 10 | 6-32008-05-0-1 |
| 1101-1350 | 740 | 2 | 10 | 6-32008-07-0-1 |
| 1351-1850 | 1190 | 3 | 10 | 6-32008-12-0-1 |
| 1851-2100 | 1450 | 3 | 10 | 6-32008-15-0-1 |
| 2101-2500 | 1890 | 4 | 10 | 6-32008-19-0-1 |
| 2501-2800 [1] | 215 | 1 | 10 | 6-32011-00-0-1 |
| | 2030 | 4 | 10 | 6-32494-90-0-1 |

[1] With SRH 2500–2800 (in conjunction with FHH drive-gear), the coupleable Sec centre-lock 6-32011-00-0-1 is used in conjunction with T&S extension 6-32494-90-0-1.
When cropping the faceplate by less than 150 mm or when the notches are still visible after cropping, rod guide 8-00805 should be positioned at least 65 mm from the faceplate end.

Hinge-side centre-locks – UNI-JET SCF



| Centre-lock on hinge-side (for drive-gears with variable handle height) | | | | |
|--|--------|-------|----|----------------|
| SRH | Length | LC-MA | PU | Order number |
| 480-720 | 215 | 1 | 10 | 6-32010-00-0-1 |
| 721-1100 | 530 | 2 | 10 | 6-32008-05-0-1 |
| 721-1350 | 740 | 2 | 10 | 6-32008-07-0-1 |
| 1351-1700 | 1190 | 3 | 10 | 6-32008-12-0-1 |
| 1701-2100 | 1450 | 3 | 10 | 6-32008-15-0-1 |
| 2101-2500 | 1890 | 4 | 10 | 6-32008-19-0-1 |
| 2501-2800 [1] | 215 | 1 | 10 | 6-32011-00-0-1 |
| | 2030 | 4 | 10 | 6-32494-90-0-1 |

[1] With SRH 2500–2800 (in conjunction with VHH drive-gear), the coupleable Sec centre-lock 6-32011-00-0-1 is used in conjunction with T&S extension 6-32494-90-0-1.
When cropping the faceplate by less than 150 mm or when the notches are still visible after cropping, rod guide 8-00805 should be positioned at least 65 mm from the faceplate end.

| Centre-lock on hinge-side (for drive-gears with fixed handle height) | | | | |
|---|--------|-------|----|----------------|
| SRH | Length | LC-MA | PU | Order number |
| 360-720 | 215 | 1 | 10 | 6-32010-00-0-1 |
| 721-1100 | 530 | 2 | 10 | 6-32008-05-0-1 |
| 1101-1350 | 740 | 2 | 10 | 6-32008-07-0-1 |
| 1351-1850 | 1190 | 3 | 10 | 6-32008-12-0-1 |
| 1851-2100 | 1450 | 3 | 10 | 6-32008-15-0-1 |
| 2101-2500 | 1890 | 4 | 10 | 6-32008-19-0-1 |
| 2501-2800 [1] | 215 | 1 | 10 | 6-32011-00-0-1 |
| | 2030 | 4 | 10 | 6-32494-90-0-1 |

[1] With SRH 2500–2800 (in conjunction with FHH drive-gear), the coupleable Sec centre-lock 6-32011-00-0-1 is used in conjunction with T&S extension 6-32494-90-0-1.
When cropping the faceplate by less than 150 mm or when the notches are still visible after cropping, rod guide 8-00805 should be positioned at least 65 mm from the faceplate end.

Locking extension

For arched and pitched windows



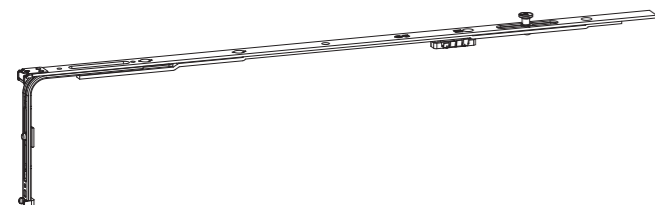
| Locking extension for pitched windows | | | | |
|---------------------------------------|--------|-------|----|------------------------------|
| SRW | Length | LC-MA | PU | Order number |
| 455-500 | 75-120 | – | – | Faceplate/ connecting rod |
| 501-770 | 415 | – | 10 | 6-26741-00-0-1 |
| 771-1070 | 750 | 1 | 10 | 6-32781-01-0-1 |
| 1071-1260 | 1130 | 1 | 10 | 6-32781-02-0-1 |
| SRH HS | Length | LC-MA | PU | Order number |
| 581-790 | 415 | – | 10 | 6-26741-00-0-1 |
| 791-1200 | 750 | 1 | 10 | 6-32781-01-0-1 |
| 1201-1590 | 1130 | 1 | 10 | 6-32781-02-0-1 |
| 1591-2350 | 1630 | 1 | 10 | 6-32781-03-0-1 |
| 2351-2800 | 2030 | 4 | 10 | 6-32494-90-0-1 |

| Locking extension for arched windows | | | | |
|--------------------------------------|--------|-------|----|------------------------------|
| SRW | Length | LC-MA | PU | Order number |
| 455-590 | 75-210 | – | – | Faceplate/ connecting rod |
| 591-630 | 80-120 | – | – | Faceplate/ connecting rod |
| 631-840 | 415 | – | 10 | 6-26741-00-0-1 |
| 841-1250 | 750 | 1 | 10 | 6-32781-01-0-1 |
| SRH RA | Length | LC-MA | PU | Order number |
| 581-790 | 415 | – | 10 | 6-26741-00-0-1 |
| 791-1200 | 750 | 1 | 10 | 6-32781-01-0-1 |
| 1201-1590 | 1130 | 1 | 10 | 6-32781-02-0-1 |
| 1591-2090 | 1630 | 1 | 10 | 6-32781-03-0-1 |

- Used with arched and pitched windows (horizontal bottom and on the hinge side) can be coupled when combined with coupleable components, e.g. corner-drive, corner-drive rebate-hinge and centre-lock 215.
- When using the centre-lock, the rod guide 8-00805-00-0-1 must be positioned at least 65 mm before the faceplate end if the notch is still visible after cutting the component to length or if the area to be cut to length is cropped by less than 150 mm.

Centre-locks for Turn-Only sashes

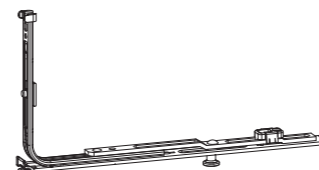
Horizontal top and bottom



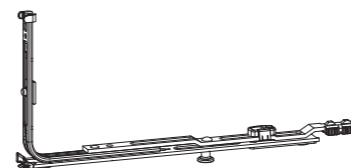
| Centre-lock for Turn-Only sash (horizontal at top) | | | | |
|--|--------|-------|----|----------------|
| SRW | Length | LC-MA | PU | Order number |
| 280-750 | 215 | 1 | 10 | 6-32010-00-0-1 |
| 751-950 | 530 | 1 | 10 | 6-32075-05-0-1 |
| 951-1200 | 740 | 1 | 10 | 6-32075-07-0-1 |
| 1201-1600 | 1050 | 2 | 10 | 6-32075-10-0-1 |

Additional locking devices

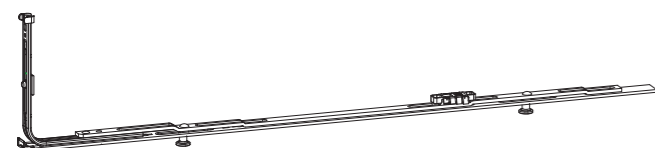
Special solutions



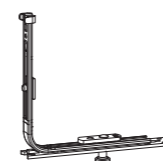
| Centre lock 215 | | | | |
|-----------------|--------|-------|----|----------------|
| SRW | Length | LC-MA | PU | Order number |
| 280-1600 | 215 | 1 | 10 | 6-32010-00-0-1 |



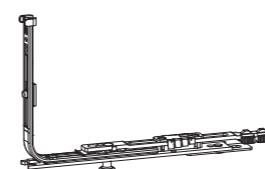
| Centre-lock 215-C (coupleable) | | | | |
|--------------------------------|--------|-------|----|----------------|
| SRW | Length | LC-MA | PU | Order number |
| 280-1600 | 215 | 1 | 10 | 6-32011-00-0-1 |



| Centre-lock for Turn-Only sash (horizontal at bottom) | | | | |
|---|--------|-------|----|----------------|
| SRW | Length | LC-MA | PU | Order number |
| 280-750 | 215 | 1 | 10 | 6-32010-00-0-1 |
| 751-950 | 530 | 2 | 10 | 6-32008-05-0-1 |
| 951-1200 | 740 | 2 | 10 | 6-32008-07-0-1 |
| 1201-1600 | 1050 | 3 | 10 | 6-32008-10-0-1 |



| Centre-lock 116 | | | | |
|-----------------|--------|-------|----|----------------|
| SRW | Length | LC-MA | PU | Order number |
| 280-750 | 116 | 1 | 10 | 6-24062-00-0-1 |



| Centre-lock 160 (coupleable) | | | | |
|------------------------------|--------|-------|----|--------------------|
| SRW | Length | LC-MA | PU | Order number |
| 280-1600 | 160 | 1 | 10 | 6-24502-00-0-1 |
| 280-1600 | 160 | - | 10 | 6-24502-01-0-1 [1] |

[1] For window elements with sash thickness of 68 mm.

Use in conjunction with

- Run-up block (sash part) 9-35380-68-0-0 and
- Run-up block (sash part) 6-24201-02-0-1 (CL 4 mm) or run-up block (sash part) 6-24201-01-0-1 (CL 12 mm)

Further information on page 143.

Centre-locks for GU system thresholds

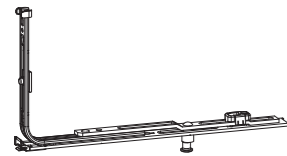
Bottom horizontal



T&T centre-lock – with long locking cam

| SRW | Length | LC-ML | PU | Order number |
|-----------|--------|-------|----|----------------|
| 400-750 | 215 | 1 | 10 | 6-34694-02-0-1 |
| 751-1000 | 530 | 2 | 10 | 6-34693-05-0-1 |
| 1001-1400 | 740 | 2 | 10 | 6-34693-07-0-1 |

- Used with balcony-doors with GU system threshold and 10 mm clearance



TU-ON centre-lock – with long locking cam

| SRW | Length | LC-ML | PU | Order number |
|---------|--------|-------|----|----------------|
| 400-750 | 215 | 1 | 10 | 6-34694-01-0-1 |

- Used with balcony-doors with GU system threshold and 10 mm clearance



TU-ON centre-lock – with adjustable locking cam

| SRW | Length | LC-MH | PU | Order number |
|-----------|--------|-------|----|----------------|
| 751-1000 | 530 | 2 | 10 | 6-39322-05-0-1 |
| 1001-1400 | 740 | 2 | 10 | 6-39322-07-0-1 |

- Locking cam adjustable between 12.5 and 14.5 mm
- Used with balcony-doors with GU system threshold and 10 mm clearance



CONTURA centre-lock on the hinge side – standard

Standard rebate with 7 mm overlap



Centre-lock (for drive-gears with variable handle height)

| SRH | Length | LC | PU | Order number |
|---------------|--------|----|----|----------------|
| 721-1100 | 530 | 1 | 10 | 6-33026-05-0-1 |
| 1101-1350 | 740 | 1 | 10 | 6-33026-07-0-1 |
| 1351-1700 | 1190 | 2 | 10 | 6-33026-12-0-1 |
| 1701-2100 | 1450 | 2 | 10 | 6-33026-15-0-1 |
| 2101-2500 | 1890 | 3 | 10 | 6-33026-19-0-1 |
| 2501-2800 [1] | 215 | 1 | 10 | 6-33032-00-0-1 |
| | 2030 | 4 | 10 | 6-35526-00-0-1 |

- The quantities shown in the table as "LC" (locking cam) are specific "CONTURA sliding cams".

[1] With SRH 2501-2800, the coupleable Sec centre-lock 6-33032-00-0-1 is used in conjunction with extension 6-35526-00-0-1. When using the centre-lock, the rod guide 8-00805 must be positioned at least 65 mm before the faceplate end if the area to be cut to length is cropped by less than 150 mm.

Centre-lock (for drive-gears with fixed handle height)

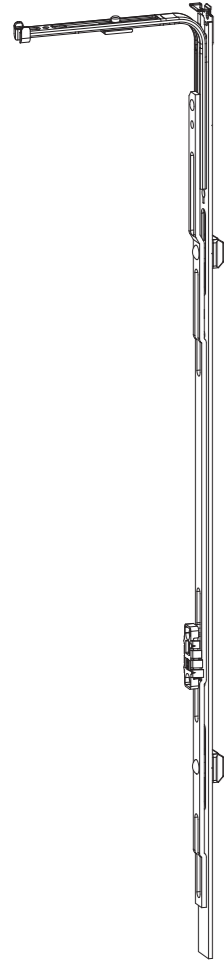
| SRH | Length | LC | PU | Order number |
|---------------|--------|----|----|----------------|
| 721-1100 | 530 | 1 | 10 | 6-33026-05-0-1 |
| 1101-1350 | 740 | 1 | 10 | 6-33026-07-0-1 |
| 1351-1850 | 1190 | 2 | 10 | 6-33026-12-0-1 |
| 1851-2100 | 1450 | 2 | 10 | 6-33026-15-0-1 |
| 2101-2500 | 1890 | 3 | 10 | 6-33026-19-0-1 |
| 2501-2800 [1] | 215 | 1 | 10 | 6-33032-00-0-1 |
| | 2030 | 4 | 10 | 6-35526-00-0-1 |

- The quantities shown in the table as "LC" (locking cam) are specific "CONTURA sliding cams".

[1] With SRH 2501-2800, the coupleable Sec centre-lock 6-33032-00-0-1 is used in conjunction with extension 6-35526-00-0-1. When using the centre-lock, the rod guide 8-00805 must be positioned at least 65 mm before the faceplate end if the area to be cut to length is cropped by less than 150 mm.

CONTURA Sec centre-lock, hinge-side – security

Standard rebate with 7 mm overlap



Sec centre-lock (for drive-gears with variable handle height)

| SRH | Length | LC | PU | Order number |
|---------------|--------|----|----|----------------|
| 721-1100 | 530 | 2 | 10 | 6-33027-05-0-1 |
| 1101-1350 | 740 | 2 | 10 | 6-33027-07-0-1 |
| 1351-1700 | 1190 | 3 | 10 | 6-33027-12-0-1 |
| 1701-2100 | 1450 | 3 | 10 | 6-33027-15-0-1 |
| 2101-2500 | 1890 | 4 | 10 | 6-33027-19-0-1 |
| 2501-2800 [1] | 215 | 1 | 10 | 6-33032-00-0-1 |
| | 2030 | 4 | 10 | 6-35526-00-0-1 |

■ The quantities shown in the table as "LC" (locking cam) are specific "CONTURA sliding cams".

[1] With SRH 2501-2800, the coupleable Sec centre-lock 6-33032-00-0-1 is used in conjunction with extension 6-35526-00-0-1. When using the centre-lock, the rod guide 8-00805 must be positioned at least 65 mm before the faceplate end if the area to be cut to length is cropped by less than 150 mm.

Sec centre-lock (for drive-gears with fixed handle height)

| SRH | Length | LC | PU | Order number |
|---------------|--------|----|----|----------------|
| 721-1100 | 530 | 2 | 10 | 6-33027-05-0-1 |
| 1101-1350 | 740 | 2 | 10 | 6-33027-07-0-1 |
| 1351-1850 | 1190 | 3 | 10 | 6-33027-12-0-1 |
| 1851-2100 | 1450 | 3 | 10 | 6-33027-15-0-1 |
| 2101-2500 | 1890 | 4 | 10 | 6-33027-19-0-1 |
| 2501-2800 [1] | 215 | 1 | 10 | 6-33032-00-0-1 |
| | 2030 | 4 | 10 | 6-35526-00-0-1 |

■ The quantities shown in the table as "LC" (locking cam) are specific "CONTURA sliding cams".

[1] With SRH 2501-2800, the coupleable Sec centre-lock 6-33032-00-0-1 is used in conjunction with extension 6-35526-00-0-1. When using the centre-lock, the rod guide 8-00805 must be positioned at least 65 mm before the faceplate end if the area to be cut to length is cropped by less than 150 mm.

CONTURA centre-lock on the hinge side – standard

Special rebate with 6 mm overlap, round



Centre-lock (for drive-gears with variable handle height)

| SRH | Length | LC | PU | Order number |
|---------------|--------|----|----|----------------|
| 721-1100 | 530 | 1 | 10 | 6-32075-05-0-1 |
| 1101-1350 | 740 | 1 | 10 | 6-32075-07-0-1 |
| 1351-1700 | 1190 | 2 | 10 | 6-32075-12-0-1 |
| 1701-2100 | 1450 | 2 | 10 | 6-32075-15-0-1 |
| 2101-2500 | 1890 | 3 | 10 | 6-32075-19-0-1 |
| 2501-2800 [1] | 215 | 1 | 10 | 6-32011-00-0-1 |
| | 2030 | 4 | 10 | 6-32494-90-0-1 |

■ The quantities shown in the table as "LC" (locking cam) are specific "CONTURA sliding cams".

[1] With SRH 2501-2800, the coupleable Sec centre-lock 6-33032-00-0-1 is used in conjunction with extension 6-35526-00-0-1. When using the centre-lock, the rod guide 8-00805 must be positioned at least 65 mm before the faceplate end if the area to be cut to length is cropped by less than 150 mm.

Centre-lock (for drive-gears with fixed handle height)

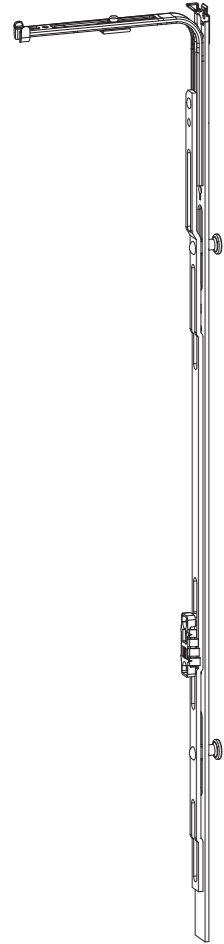
| SRH | Length | LC | PU | Order number |
|---------------|--------|----|----|----------------|
| 721-1100 | 530 | 1 | 10 | 6-32075-05-0-1 |
| 1101-1350 | 740 | 1 | 10 | 6-32075-07-0-1 |
| 1351-1850 | 1190 | 2 | 10 | 6-32075-12-0-1 |
| 1851-2100 | 1450 | 2 | 10 | 6-32075-15-0-1 |
| 2101-2500 | 1890 | 3 | 10 | 6-32075-19-0-1 |
| 2501-2800 [1] | 215 | 1 | 10 | 6-32011-00-0-1 |
| | 2030 | 4 | 10 | 6-32494-90-0-1 |

■ The quantities shown in the table as "LC" (locking cam) are specific "CONTURA sliding cams".

[1] With SRH 2501-2800, the coupleable Sec centre-lock 6-33032-00-0-1 is used in conjunction with extension 6-35526-00-0-1. When using the centre-lock, the rod guide 8-00805 must be positioned at least 65 mm before the faceplate end if the area to be cut to length is cropped by less than 150 mm.

CONTURA Sec centre-lock, hinge-side – security

Special rebate with 6 mm overlap, round



| Sec centre-lock (for drive-gears with variable handle height) | | | | |
|---|--------|----|----|----------------|
| SRH | Length | LC | PU | Order number |
| 721-1100 | 530 | 2 | 10 | 6-32008-05-0-1 |
| 1101-1350 | 740 | 2 | 10 | 6-32008-07-0-1 |
| 1351-1700 | 1190 | 3 | 10 | 6-32008-12-0-1 |
| 1701-2100 | 1450 | 3 | 10 | 6-32008-15-0-1 |
| 2101-2500 | 1890 | 4 | 10 | 6-32008-19-0-1 |
| 2501-2800 [1] | 215 | 1 | 10 | 6-32011-00-0-1 |
| | 2030 | 4 | 10 | 6-32494-90-0-1 |

■ The quantities shown in the table as "LC" (locking cam) are specific "CONTURA sliding cams".

[1] With SRH 2501-2800, the coupleable Sec centre-lock 6-33032-00-0-1 is used in conjunction with extension 6-35526-00-0-1. When using the centre-lock, the rod guide 8-00805 must be positioned at least 65 mm before the faceplate end if the area to be cut to length is cropped by less than 150 mm.

| Sec centre-lock (for drive-gears with fixed handle height) | | | | |
|--|--------|----|----|----------------|
| SRH | Length | LC | PU | Order number |
| 721-1100 | 530 | 2 | 10 | 6-32008-05-0-1 |
| 1101-1350 | 740 | 2 | 10 | 6-32008-07-0-1 |
| 1351-1850 | 1190 | 3 | 10 | 6-32008-12-0-1 |
| 1851-2100 | 1450 | 3 | 10 | 6-32008-15-0-1 |
| 2101-2500 | 1890 | 4 | 10 | 6-32008-19-0-1 |
| 2501-2800 [1] | 215 | 1 | 10 | 6-32011-00-0-1 |
| | 2030 | 4 | 10 | 6-32494-90-0-1 |

■ The quantities shown in the table as "LC" (locking cam) are specific "CONTURA sliding cams".

[1] With SRH 2501-2800, the coupleable Sec centre-lock 6-33032-00-0-1 is used in conjunction with extension 6-35526-00-0-1. When using the centre-lock, the rod guide 8-00805 must be positioned at least 65 mm before the faceplate end if the area to be cut to length is cropped by less than 150 mm.

Table of contents



2.7 Lever-operated gears

Hardware groove 16 mm

With riveted operating lever

| | |
|---|-----|
| Fixed ZH – for T&T drive-gear, fixed handle height | 176 |
| Variable ZH – for T&T drive-gear, variable handle height | 177 |
| Fixed ZH Sec – security – for T&T drive-gear, fixed handle height for RC2 | 178 |
| Variable ZH Sec – security – for T&T drive-gear, variable handle height for RC2 | 179 |

With separate lever

| | |
|--|-----|
| Fixed ZK – for T&T drive-gear, fixed handle height | 180 |
|--|-----|

For dummy-mullion profiles

| | |
|---|-----|
| FHH drive-gear 30 BS – 30 mm backset – without locking cam (e.g. for 2-sashed windows with 2 window handles) | 181 |
|---|-----|

Euro-groove 7/8 x 4 mm

With riveted operating lever

| | |
|---|-----|
| for T&T drive-gears, fixed and variable handle height | 182 |
|---|-----|

Accessories for lever-operated gear

| | |
|-------------------------|-----|
| Hardware groove profile | 183 |
|-------------------------|-----|

ZH lever-operated gear FHH

With riveted operating lever – for T&T drive-gear with fixed handle height



ZH lever-operated gear FHH

| SRH | Length | Lever height | S | PU | Order number |
|-------------|------------|--------------|---|----|----------------|
| 470-550 | 560 | 230 | - | 10 | G-22180-00-0-1 |
| 551-720 | 560 | 141 | - | 10 | G-24142-01-0-1 |
| 551-720 | 560 | 230 | - | 10 | G-22180-00-0-1 |
| 721-850 | 690 | 230 | 1 | 10 | G-22181-00-0-1 |
| 721-970 [2] | 810 | 141 | 1 | 10 | G-24142-05-0-1 |
| 851-1100 | 940 | 230 | 1 | 10 | G-22182-00-0-1 |
| 1101-1350 | 1190 | 230 | 1 | 10 | G-22183-00-0-1 |
| 1351-1600 | 1440 | 230 | 2 | 10 | G-22184-00-0-1 |
| 1601-1850 | 1690 | 230 | 3 | 10 | G-22185-00-0-1 |
| 1851-2100 | 1940 | 516 | 3 | 10 | G-22186-00-0-1 |
| 2101-2350 | 2190 | 516 | 4 | 10 | G-22187-00-0-1 |
| 2351-2600 | 2190 | 516 | 4 | 10 | G-22187-00-0-1 |
| | 250 [1] | | - | 10 | 8-00625-00-0-1 |
| 2601-2800 | 2190 | 516 | 4 | 10 | G-22187-00-0-1 |
| | 500 [1][3] | | 1 | 10 | G-21040-00-0-1 |

- [1] With SRH > 2350, extension 250 or 500 must be used.
 SRH 2351-2600: use extension 250 uncropped and crop the drive-gear at the top (0 up to 250 mm) according to SRH.
 SRH 2601-2800: use extension 500 cropped to dim. 450 and crop the drive-gear at the top (0 up to 200 mm) according to SRH.
- [2] Lever-operated gear G-24142-05-0-1 can only be used in conjunction with T&T drive-gear G-22143-00-0-1 with fixed handle height, 7.5 mm backset.
- [3] When using extension 500 G-21040-00-0-1 with lever-operated gear G-22187-00-0-1, the Sec striker 9-30256-00-0-1 must be mounted on the faceplate.

- To find out which T&T drive-gears (15 and 7.5 mm backset) are compatible with the various lever-operated gears and also their application ranges, refer to drawing 0-44348.
- The ZH lever-operated gear is used in the hardware groove of the passive sash at 2-sashed windows and balcony-doors; a T&T drive-gear with fixed handle height is installed in the active sash on the opposite side.
- The information "S" refers to the strikers riveted to the lever-operated gear.
- When cropping the faceplate by less than 150 mm or when the notches are still visible after cropping, position the rod guide 8-00625-00-0-1 at least 65 mm before the faceplate end.

ZH lever-operated gear VHH

With riveted operating lever – for T&T drive-gear with variable handle height



ZH lever-operated gear VHH

| SRH | Length | Lever height | S | PU | Order number |
|-----------|------------|--------------|---|----|----------------|
| 550-590 | 560 | 141 | - | 10 | G-24142-01-0-1 |
| 591-780 | 560 | 141 | - | 10 | G-24142-01-0-1 |
| 781-950 | 630 | 356-536 | 1 | 10 | G-22170-00-0-1 |
| 781-1200 | 880 | 356-536 | 1 | 10 | 6-33312-01-0-1 |
| 951-1450 | 1130 | 310-560 | 1 | 10 | G-22171-00-0-1 |
| 1451-1950 | 1630 | 310-560 | 2 | 10 | G-22172-00-0-1 |
| 1951-2450 | 2130 | 310-560 | 3 | 10 | G-22173-00-0-1 |
| 2451-2700 | 2130 | 310-560 | 4 | 10 | G-22173-00-0-1 |
| | 250 [1] | | - | 10 | 8-00625-00-0-1 |
| 2701-2800 | 2130 | 310-560 | 4 | 10 | G-22173-00-0-1 |
| | 500 [1][2] | | 1 | 10 | G-21040-00-0-1 |

- [1] With SRH > 2450, extension 250 or 500 must be used.
 SRH 2451-2700: use extension 250 uncropped and crop the drive-gear at the top (0 up to 250 mm) according to SRH.
 SRH 2701-2800: use extension 500 cropped to dim. 350 and crop the drive-gear at the top (0 up to 100 mm) according to SRH.
- [2] When using extension 500 G-21040-00-0-1 with lever-operated gear G-22173-00-0-1, the Sec striker 9-30256-00-0-1 must be mounted on the faceplate.

- To find out which T&T drive-gears (15 and 7.5 mm backset) are compatible with the various lever-operated gears and also their application ranges, refer to drawing 0-44348.
- The ZH lever-operated gear is used in the hardware groove of the passive sash at 2-sashed windows and balcony-doors; a T&T drive-gear with variable handle height is installed in the active sash on the opposite side.
- The information "S" refers to the strikers riveted to the lever-operated gear.
- When cropping the faceplate by less than 150 mm or when the notches are still visible after cropping, position the rod guide 8-00625-00-0-1 at least 65 mm before the faceplate end.

ZH-Sec lever-operated gear, FHH – security

With riveted operating lever – for T&T drive-gear with fixed handle height for RC2



ZH-Sec lever-operated gear, FHH for RC2

| SRH | Length | Lever height | S | PU | Order number |
|-------------|------------|--------------|---|----|----------------|
| 470-550 | 560 | 230 | 1 | 10 | 6-33130-00-0-1 |
| 551-720 [2] | 560 | 230 | 1 | 10 | 6-33130-00-0-1 |
| 570-720 [3] | 560 | 230 | 1 | 10 | 6-33130-00-0-1 |
| 721-850 | 690 | 230 | 2 | 10 | 6-33131-00-0-1 |
| 851-1100 | 940 | 230 | 2 | 10 | 6-33132-00-0-1 |
| 1101-1350 | 1190 | 230 | 2 | 10 | 6-33133-00-0-1 |
| 1351-1600 | 1440 | 230 | 3 | 10 | 6-33134-00-0-1 |
| 1601-1850 | 1690 | 230 | 4 | 10 | 6-33135-00-0-1 |
| 1851-2100 | 1940 | 516 | 4 | 10 | 6-33136-00-0-1 |
| 2101-2350 | 2190 | 516 | 5 | 10 | 6-33137-00-0-1 |
| 2351-2600 | 2190 | 516 | 5 | 10 | 6-33137-00-0-1 |
| | 250 [1] | | - | 10 | 8-00625-00-0-1 |
| 2601-2800 | 2190 | 516 | 5 | 10 | 6-33137-00-0-1 |
| | 500 [1][4] | | 1 | 10 | G-21040-00-0-1 |

ZH-Sec protective bracket

| SRH | Contents | PU | Order number |
|----------|--|-----|----------------|
| 470-2800 | 1 pc protective angle and 2 pcs clearance packer | 100 | K-17080-00-0-1 |

- [1] With SRH > 2350, extension 250 or 500 must be used.
SRH 2351–2600: use extension 250 uncropped and crop the drive-gear at the top (0 up to 250 mm) according to SRH.
SRH 2601–2800: use extension 500 cropped to dim. 450 and crop the drive-gear at the top (0 up to 200 mm) according to SRH.
- [2] Lever-operated gear 6-33130-00-0-1 can only be used in conjunction with T&T Sec drive-gear 6-33219-00-0-1 with fixed handle height, 15 mm backset.
- [3] Lever-operated gear 6-33130-00-0-1 can only be used in conjunction with T&T Sec drive-gear G-23011-00-0-1 with fixed handle height, 7.5 mm backset.
- [4] When using extension 500 G-21040-00-0-1 with lever-operated gear 6-33137-00-0-1, the Sec striker E-19813-00-0-1 must be mounted on the faceplate.

- To find out which T&T drive-gears (15 and 7.5 mm backset) are compatible with the various lever-operated gears and also their application ranges, refer to drawing 0-44971.
- The ZH lever-operated gear is used in the hardware groove of the passive sash at 2-sashed windows and balcony-doors; a T&T drive-gear with fixed handle height is installed in the active sash on the opposite side.
- The information "S" refers to the strikers riveted to the lever-operated gear.
- When cropping the faceplate by less than 150 mm or when the notches are still visible after cropping, position the rod guide 8-00625-00-0-1 at least 65 mm before the faceplate end.

ZH-Sec lever-operated gear, VHH – security

With riveted operating lever – for T&T drive-gear with variable handle height for RC2



ZH-Sec lever-operated gear, VHH for RC2

| SRH | Length | Lever height | S | PU | Order number |
|--------------|------------|--------------|---|----|----------------|
| 781-950 | 630 | 356-536 | 1 | 10 | 6-33312-00-0-1 |
| 781-1200 [2] | 880 | 356-536 | 1 | 10 | 6-33312-01-0-1 |
| 951-1450 | 1130 | 310-560 | 1 | 10 | 6-33313-00-0-1 |
| 1451-1950 | 1630 | 310-560 | 2 | 10 | 6-33314-00-0-1 |
| 1951-2450 | 2130 | 310-560 | 3 | 10 | 6-33315-00-0-1 |
| 2451-2700 | 2130 | 310-560 | 3 | 10 | 6-33315-00-0-1 |
| | 250 [1] | | - | 10 | 8-00625-00-0-1 |
| 2701-2800 | 2130 | 310-560 | 3 | 10 | 6-33315-00-0-1 |
| | 500 [1][3] | | 1 | 10 | G-21040-00-0-1 |

ZH-Sec protective bracket

| SRH | Contents | PU | Order number |
|----------|--|-----|----------------|
| 470-2800 | 1 pc protective angle and 2 pcs clearance packer | 100 | K-17080-00-0-1 |

- [1] With SRH > 2450, extension 250 or 500 must be used.
SRH 2451–2700: use extension 250 uncropped and crop the drive-gear at the top (0 up to 250 mm) according to SRH.
SRH 2701–2800: use extension 500 cropped to dim. 350 and crop the drive-gear at the top (0 up to 100 mm) according to SRH.
- [2] Lever-operated gear 6-33312-01-0-1 can only be used in conjunction with T&T Sec drive-gears G-22102-00-0-1 with variable handle height, 7.5 mm backset.
- [4] When using extension 500 G-21040-00-0-1 with lever-operated gear 6-33137-00-0-1, the Sec striker E-19813-00-0-1 must be mounted on the faceplate.

- To find out which T&T drive-gears (15 and 7.5 mm backset) are compatible with the various lever-operated gears and also their application ranges, refer to drawing 0-44971.
- The ZH lever-operated gear is used in the hardware groove of the passive sash at 2-sashed windows and balcony-doors; a T&T drive-gear with variable handle height is installed in the active sash on the opposite side.
- The information "S" refers to the strikers riveted to the lever-operated gear.
- When cropping the faceplate by less than 150 mm or when the notches are still visible after cropping, position the rod guide 8-00625-00-0-1 at least 65 mm before the faceplate end.

ZK lever-operated gear, fixed

With detachable lever – for T&T drive-gear with fixed handle height



ZK lever-operated gear, fixed

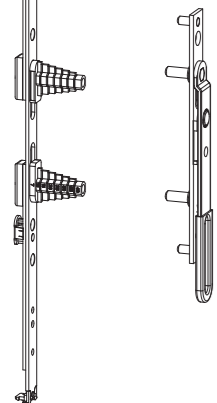
| SRH | Length | Lever height | S | PU | Order number |
|-----------|---------|--------------|---|----|----------------|
| 470-720 | 560 | 230 | - | 10 | G-22110-00-0-1 |
| 721-850 | 690 | 230 | - | 10 | G-22111-00-0-1 |
| 851-1100 | 940 | 230 | - | 10 | G-22112-00-0-1 |
| 1101-1350 | 1190 | 230 | - | 10 | G-22113-00-0-1 |
| 1351-1600 | 1440 | 230 | - | 10 | G-22114-00-0-1 |
| 1601-1850 | 1690 | 230 | - | 10 | G-22115-00-0-1 |
| 1851-2100 | 1940 | 516 | - | 10 | G-22116-00-0-1 |
| 2101-2350 | 2190 | 516 | - | 10 | G-22117-00-0-1 |
| 2351-2600 | 2190 | 516 | - | 10 | G-22117-00-0-1 |
| | 250 [1] | | - | 10 | 8-00625-00-0-1 |
| 2601-2800 | 2190 | 516 | - | 10 | G-22117-00-0-1 |
| | 500 [1] | | - | 10 | G-21040-00-0-1 |

ZK lever

| SRH | PU | Order number |
|----------|----|----------------|
| 470-2800 | 10 | 6-24977-00-0-1 |

[1] With SRH > 2350, extension 250 or 500 must be used.
 SRH 2351–2600: use extension 250 uncropped and crop the drive-gear at the top (0 up to 250 mm) according to SRH.
 SRH 2601–2800: use extension 500 cropped to dim. 450 and crop the drive-gear at the top (0 up to 200 mm) according to SRH.

- The ZK lever-operated gear is used in the hardware groove of the passive sash at 2-sashed windows and balcony-doors (hardware groove covered by the dummy-mullion profile); a T&T drive-gear with fixed handle height is installed in the active sash on the opposite side.
- When cropping the faceplate by less than 150 mm or when the notches are still visible after cropping, position the rod guide 8-00625-00-0-1 at least 65 mm before the faceplate end.



FHH drive-gear 30 BS for dummy-mullion profiles

Backset 30 mm, without locking cam (e.g. for 2-sashed windows with 2 window handles)



FHH drive-gear 30 BS for dummy-mullion profiles

| SRH | Length | Lever height | S | PU | Order number |
|-----------|---------|--------------|---|----|----------------|
| 550-720 | 560 | 200 | - | 10 | 6-33210-00-0-1 |
| 721-850 | 690 | 250 | - | 10 | 6-33211-00-0-1 |
| 851-1100 | 940 | 400 | - | 10 | 6-33212-00-0-1 |
| 1101-1350 | 1190 | 500 | - | 10 | 6-33213-00-0-1 |
| 1351-1600 | 1440 | 600 | - | 10 | 6-33214-00-0-1 |
| 1601-1850 | 1690 | 600 | - | 10 | 6-33215-00-0-1 |
| 1851-2100 | 1940 | 980 | - | 10 | 6-33216-00-0-1 |
| 2101-2350 | 2190 | 980 | - | 10 | 6-33217-00-0-1 |
| 2351-2600 | 2190 | 980 | - | 10 | 6-33217-00-0-1 |
| | 250 [1] | | - | 10 | 8-00625-00-0-1 |
| 2601-2800 | 2190 | 980 | - | 10 | 6-33217-00-0-1 |
| | 500 [1] | | - | 10 | G-21040-00-0-1 |

[1] With SRH > 2350, extension 250 or 500 must be used.
 SRH 2351–2600: use extension 250 uncropped and crop the drive-gear at the top (0 up to 250 mm) according to SRH.
 SRH 2601–2800: use extension 500 cropped to dim. 450 and crop the drive-gear at the top (0 up to 200 mm) according to SRH.

- The FHH drive-gear 30 BS for dummy-mullion profiles is used with 2-sashed windows and balcony-doors in the passive sash and can only be used in conjunction with T&T drive-gear with fixed handle height and standard dummy-mullion strikers 9-30256-00-0-1 (alternative: zamak Sec striker E-19813-00-0-1) in active sash on opposite side. The strikers are screwed directly to the faceplate.
- There are no strikers riveted to the FHH drive-gear 30 BS for dummy-mullion profiles. The strikers for this application are fastened to the faceplate.
- When cropping the faceplate by less than 150 mm or when the notches are still visible after cropping, position the rod guide 8-00625-00-0-1 at least 65 mm before the faceplate end.



Lever-operated gear – Euro-groove 7/8 x 4 mm

With riveted operating lever – for T&T drive-gear with fixed and variable handle height



Lever-operated gear – Euro-groove 7/8 x 4 mm

| SRH | Length | Lever height | S | PU | Order number |
|-----------|---------|--------------|---|----|----------------|
| 470-720 | 560 | 230 | - | 10 | 6-32606-01-0-1 |
| 721-850 | 690 | 230 | - | 10 | 6-32606-02-0-1 |
| 851-1100 | 940 | 230 | - | 10 | 6-32606-03-0-1 |
| 1101-1350 | 1190 | 230 | - | 10 | 6-32606-04-0-1 |
| 1351-1600 | 1440 | 230 | - | 10 | 6-32606-05-0-1 |
| 1601-1850 | 1690 | 230 | - | 10 | 6-32606-06-0-1 |
| 1851-2100 | 1940 | 516 | - | 10 | 6-32606-07-0-1 |
| 2101-2350 | 2190 | 516 | - | 10 | 6-32606-08-0-1 |
| 2351-2800 | 2190 | 516 | - | 10 | 6-32606-08-0-1 |
| | 500 [1] | | - | 10 | 6-26152-00-0-1 |

LOG shoot-bolt – Euro-groove 7/8 x 4

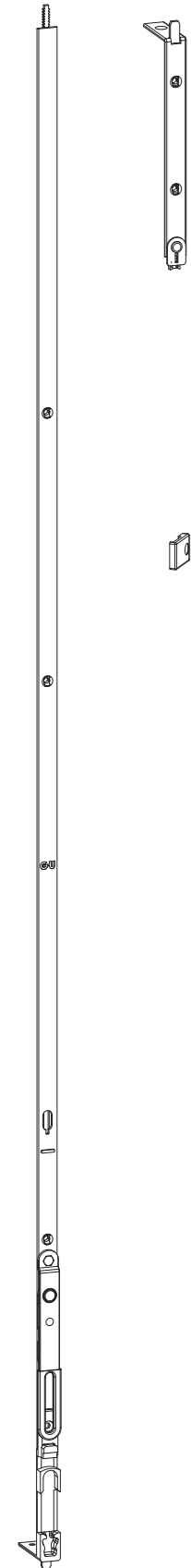
| SRH | Length | PU | Order number |
|----------|--------|----|----------------|
| 470-2800 | 160 | 10 | 6-25158-00-0-1 |

LOG support plate – Euro-groove 7/8 x 4

| Description | PU | Order number |
|---|----|----------------|
| Plate for stabilising the faceplate rod in the upper area | 10 | 9-36996-00-0-1 |

[1] With SRH 2351–2800, the Euro-groove 7/8 x 4 extension 500 must be used.

- The Euro-groove 7/8 x 4 lever-operated gear is used with 2-sashed windows or balcony-doors in the Euro-groove 7/8 x 4 of the passive sash on the opposite side. A T&T drive-gear with fixed or variable handle height can be installed in the active sash.
- The Euro-groove 7/8 x 4 lever-operated gear can be used in conjunction with T&T drive-gears with fixed handle height with faceplate strikers 9-32275-00-0-1 (the strikers are screwed directly to the faceplate).
- The Euro-groove 7/8 x 4 lever-operated gear can be used in conjunction with T&T drive-gears with variable handle height with strikers 9-34130-00-0-1 (the strikers are screwed to the faceplate on the side).



Lever-operated gear – accessories

Hardware groove profile



Hardware groove profile P 1380

| Description | Length | PU | Order number |
|--|--------|----|----------------|
| Aluminium support profile for creating a 16 mm hardware groove in the timber dummy-mullion profile on the opposite side (see drawing 0-44348). | 1100 | 10 | 9-32630-11-0-0 |
| | 1350 | 10 | 9-32630-14-0-0 |
| | 1850 | 10 | 9-32630-19-0-0 |
| | 2350 | 10 | 9-32630-24-0-0 |



Table of contents

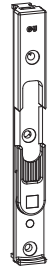


2.8 Shoot-bolts

| | |
|---------------------------------|-----|
| for PVC windows | 186 |
| <hr/> | |
| for timber windows | |
| 12 mm clearance | 187 |
| 4 mm clearance | 188 |
| with CONTURA-compatible profile | 189 |
| <hr/> | |
| for aluminium windows | 190 |

Shoot-bolts

For PVC windows



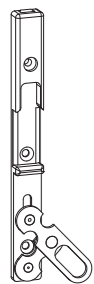
Top shoot-bolt

| Description | PU | Order number |
|--|----|----------------|
| For 16 mm hardware groove on opposite side | 10 | 6-22917-00-0-1 |



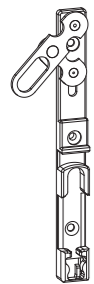
Bottom shoot-bolt

| Description | PU | Order number |
|--|----|----------------|
| For 16 mm hardware groove on opposite side | 10 | 6-22916-00-0-1 |



Top shoot-bolt

| Description | PU | Order number |
|---|----|----------------|
| For smooth dummy-mullion profiles (without hardware groove) | 10 | 6-28381-00-0-1 |



Bottom shoot-bolt

| Description | PU | Order number |
|---|----|----------------|
| For smooth dummy-mullion profiles (without hardware groove) | 10 | 6-28380-00-0-1 |

Shoot-bolts

For timber windows with 12 mm clearance



Top shoot-bolt

| Description | PU | Order number |
|--|----|----------------|
| For 16 mm hardware groove on opposite side | 10 | 6-22917-00-0-1 |



Bottom shoot-bolt

| Description | PU | Order number |
|--|----|----------------|
| For 16 mm hardware groove on opposite side | 10 | 6-22916-00-0-1 |



Top shoot-bolt

| Description | PU | Order number |
|-------------------------|----|----------------|
| For Euro-groove 7/8 x 4 | 10 | 6-22979-00-0-1 |

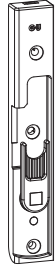


Bottom shoot-bolt

| Description | PU | Order number |
|-------------------------|----|----------------|
| For Euro-groove 7/8 x 4 | 10 | 6-22978-00-0-1 |

Shoot-bolts

For timber windows with 4 mm clearance



| Top shoot-bolt | | |
|----------------|----|------------------|
| Description | PU | Order number |
| For 13 mm axis | 10 | 6-35402-00-L/R-1 |

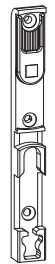


| Bottom shoot-bolt | | |
|-------------------|----|------------------|
| Description | PU | Order number |
| For 13 mm axis | 10 | 6-35401-00-L/R-1 |

- With integrated T&T striker



| Top shoot-bolt | | |
|----------------|----|----------------|
| Description | PU | Order number |
| For 9 mm axis | 10 | 8-00782-00-0-1 |



| Bottom shoot-bolt | | |
|--|----|----------------|
| Description | PU | Order number |
| For 9 mm axis, for universal use | 10 | 8-00781-00-0-1 |
| For 9 mm axis, with restricted tilting range | | 6-30575-00-0-1 |

- With integrated T&T striker

Shoot-bolts

For timber windows with CONTURA-compatible profile



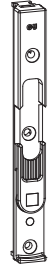
| Top shoot-bolt | | |
|-----------------------------------|----|----------------|
| Description | PU | Order number |
| For 9 mm axis, 18 x 8 flat rebate | 10 | 6-26071-00-0-1 |



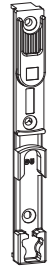
| Bottom shoot-bolt | | |
|-----------------------------------|----|----------------|
| Description | PU | Order number |
| For 9 mm axis, 18 x 8 flat rebate | 10 | 6-24387-00-0-1 |

Shoot-bolts

For aluminium windows



| Top shoot-bolt | | |
|--|----|----------------|
| Description | PU | Order number |
| For 16 mm hardware groove on opposite side | 10 | 6-22917-00-0-1 |



| Bottom shoot-bolt | | |
|--|----|----------------|
| Description | PU | Order number |
| For 16 mm hardware groove on opposite side | 10 | 6-22916-00-0-1 |



3 UNI-JET hinge-side and frame components for PVC windows

| | |
|--|-----|
| 3.1 Face-fixed hinge-side | |
| Table of contents | 195 |
| 3.2 Concealed hinge-side | |
| Table of contents | 231 |
| 3.3 Profile-specific frame components | |
| Table of contents | 245 |





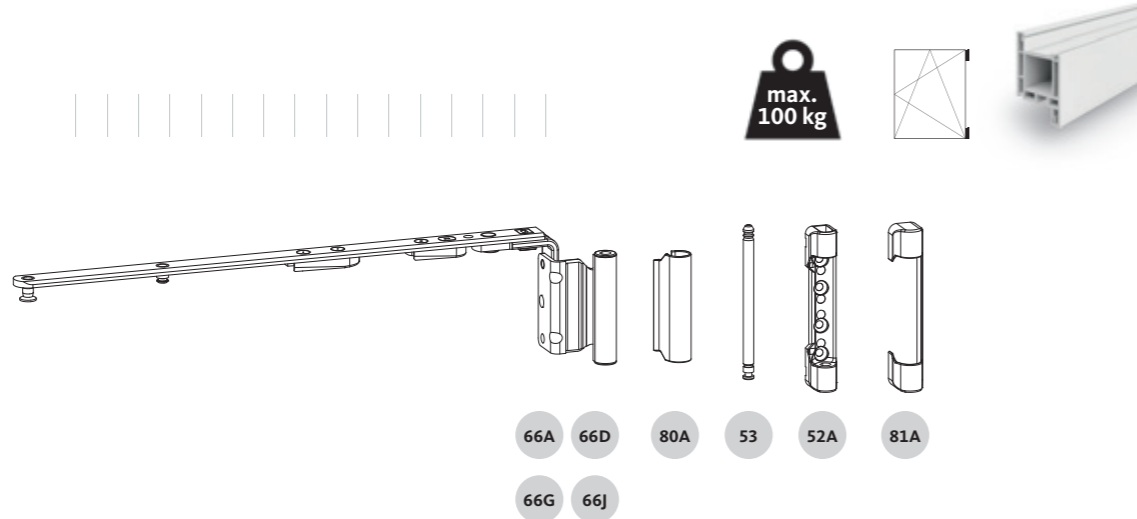
3.1 Face-fixed hinge-side for PVC windows

UNI-JET D

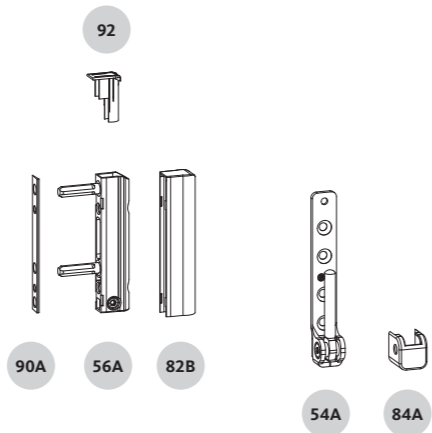
| | |
|---|-----|
| Tilt&Turn / Tilt-First sash – up to max. 100 kg sash weight | 196 |
| Tilt&Turn / Tilt-First sash – up to max. 130 kg sash weight | 198 |
| Tilt&Turn / Tilt-First sash – up to max. 150 kg sash weight | 200 |
| Turn-Only sash – up to max. 100 kg sash weight | 202 |
| Turn-Only sash – up to max. 130 kg sash weight | 204 |
| Turn-Only sash – up to max. 150 kg sash weight | 206 |
| Tilt-Only sash – up to max. 80 kg sash weight | 208 |
| Tilt-Only sash (handle on the side) – up to max. 100 kg sash weight | 210 |
| Tilt&Turn sash – pitched window – up to max. 100 kg sash weight | 212 |
| Tilt&Turn sash – arched window – up to max. 80 kg sash weight | 214 |
| Hinge-side accessories | 219 |

UNI-JET D – Tilt&Turn / Tilt-First sash

Max. sash weight 100 kg



- 66A
- 66D
- 80A
- 53
- 52A
- 81A
- 66G
- 66J



- 92
- 90A
- 56A
- 82B
- 54A
- 84A

Tested hardware load-bearing capacity

- Max. 100 kg see application diagram 0-45558
- Installation drawing 0-46603

Order example

Sash overlap
18, 20 or 22
6-39113-□□-L/R-1

UNI-JET D – Tilt&Turn / Tilt-First sash

Max. sash weight 100 kg



Upper hinge-side

| Tilt&Turn stay-arm, AX 9 mm | | | |
|-----------------------------|-----------|----|------------------|
| Item | SRW | PU | Order number |
| 66A | 280-500 | 10 | 6-39113-□□-L/R-1 |
| | 501-750 | | 6-39114-□□-L/R-1 |
| | 751-1200 | | 6-39115-□□-L/R-1 |
| | 1201-1600 | | 6-39116-□□-L/R-1 |

| Tilt&Turn stay-arm, AX 13 mm | | | |
|------------------------------|-----------|----|------------------|
| Item | SRW | PU | Order number |
| 66D | 280-500 | 10 | 6-39117-□□-L/R-1 |
| | 501-750 | | 6-39118-□□-L/R-1 |
| | 751-1200 | | 6-39119-□□-L/R-1 |
| | 1201-1600 | | 6-39120-□□-L/R-1 |

| Tilt-First stay-arm, AX 9 mm | | | |
|------------------------------|-----------|----|------------------|
| Item | SRW | PU | Order number |
| 66G | 280-500 | 10 | 6-39137-□□-L/R-1 |
| | 501-750 | | 6-39138-□□-L/R-1 |
| | 751-1200 | | 6-39139-□□-L/R-1 |
| | 1201-1600 | | 6-39140-□□-L/R-1 |

| Tilt-First stay-arm, AX 13 mm | | | |
|-------------------------------|-----------|----|------------------|
| Item | SRW | PU | Order number |
| 66J | 280-500 | 10 | 6-39141-□□-L/R-1 |
| | 501-750 | | 6-39142-□□-L/R-1 |
| | 751-1200 | | 6-39143-□□-L/R-1 |
| | 1201-1600 | | 6-39144-□□-L/R-1 |

| Cover cap for stay-hinge | | | |
|--------------------------|--------------|-----|----------------|
| Item | Colours | PU | Order number |
| 80A | See page 223 | 100 | 9-47795-01-0-□ |

| Stay-bearing pin | | | |
|------------------|--|-----|----------------|
| Item | | PU | Order number |
| 53 | | 100 | 9-48898-00-0-1 |

| Stay-bearing D/100 | | | |
|--------------------|---------------------------------|-----|----------------|
| Item | | PU | Order number |
| 52A | Positioning pin Ø 3, L = 2.5 mm | 100 | 6-36026-03-0-1 |
| | Positioning pin Ø 6, L = 2.5 mm | | 6-36026-06-0-1 |

| Cover cap for stay-bearing | | | |
|----------------------------|--------------|-----|----------------|
| Item | Colours | PU | Order number |
| 81A | See page 224 | 100 | 9-47334-01-0-□ |

Lower hinge-side

| Packer for drill-in hinge | | | |
|---------------------------|--------------------------|-----|------------------|
| Item | Slope of profile overlap | PU | Order number |
| 90A | 6° | 100 | 9-48684-06-L/R-□ |

| Plug | | | |
|------|--------------|-----|----------------|
| Item | Colours | PU | Order number |
| 92 | See page 227 | 100 | 9-47426-00-0-□ |

| Drill-in hinge D/100 – without turn-brake | | | |
|---|--------------------------------|-----|----------------|
| Item | | PU | Order number |
| 56A | Positioning pin Ø 6, L = 23 mm | 100 | 6-36180-01-0-1 |

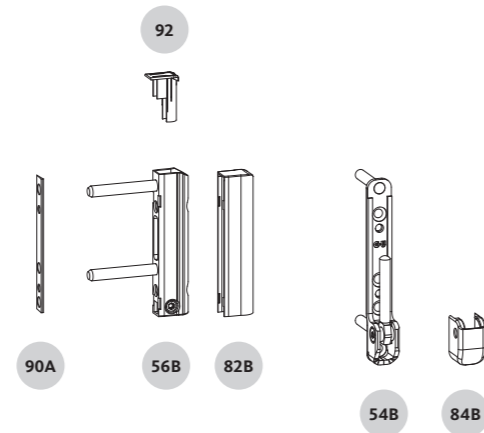
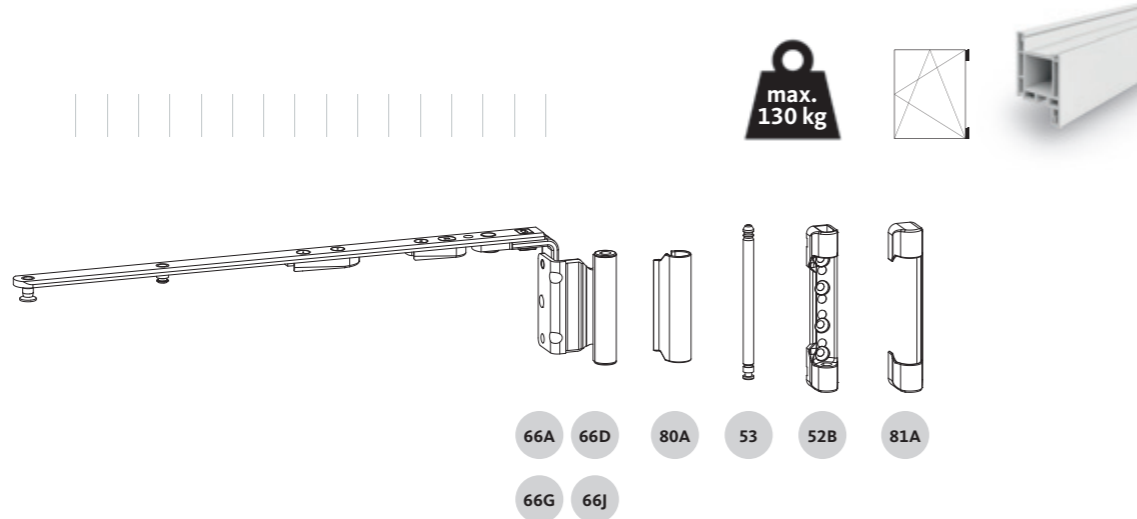
| Cover cap for drill-in hinge | | | |
|------------------------------|--------------|-----|----------------|
| Item | Colours | PU | Order number |
| 82B | See page 226 | 100 | 9-47783-01-0-□ |

| Pivot-rest D/100 | | | |
|------------------|---------------------------------|-----|----------------|
| Item | | PU | Order number |
| 54A | Positioning pin Ø 3, L = 2.5 mm | 100 | 6-36881-03-0-1 |
| | Positioning pin Ø 6, L = 22 mm | | 6-36882-22-0-1 |

| Cover cap for pivot-rest | | | |
|--------------------------|--------------|-----|----------------|
| Item | Colours | PU | Order number |
| 84A | See page 225 | 100 | 9-42683-00-0-□ |

UNI-JET D – Tilt&Turn / Tilt-First sash

Max. sash weight 130 kg



Tested hardware load-bearing capacity

- Max. 130 kg see application diagram 0-46985
- Installation drawing 0-46738

Order example

Sash overlap
18, 20 or 22
6-39113-□□-L/R-1

UNI-JET D – Tilt&Turn / Tilt-First sash

Max. sash weight 130 kg



Upper hinge-side

| Tilt&Turn stay-arm, AX 9 mm | | | |
|-----------------------------|-----------|----|------------------|
| Item | SRW | PU | Order number |
| 66 A | 280-500 | 10 | 6-39113-□□-L/R-1 |
| | 501-750 | | 6-39114-□□-L/R-1 |
| | 751-1200 | | 6-39115-□□-L/R-1 |
| | 1201-1600 | | 6-39116-□□-L/R-1 |

| Tilt&Turn stay-arm, AX 13 mm | | | |
|------------------------------|-----------|----|------------------|
| Item | SRW | PU | Order number |
| 66D | 280-500 | 10 | 6-39117-□□-L/R-1 |
| | 501-750 | | 6-39118-□□-L/R-1 |
| | 751-1200 | | 6-39119-□□-L/R-1 |
| | 1201-1600 | | 6-39120-□□-L/R-1 |

| Tilt-First stay-arm, AX 9 mm | | | |
|------------------------------|-----------|----|------------------|
| Item | SRW | PU | Order number |
| 66G | 280-500 | 10 | 6-39137-□□-L/R-1 |
| | 501-750 | | 6-39138-□□-L/R-1 |
| | 751-1200 | | 6-39139-□□-L/R-1 |
| | 1201-1600 | | 6-39140-□□-L/R-1 |

| Tilt-First stay-arm, AX 13 mm | | | |
|-------------------------------|-----------|----|------------------|
| Item | SRW | PU | Order number |
| 66J | 280-500 | 10 | 6-39141-□□-L/R-1 |
| | 501-750 | | 6-39142-□□-L/R-1 |
| | 751-1200 | | 6-39143-□□-L/R-1 |
| | 1201-1600 | | 6-39144-□□-L/R-1 |

| Cover cap for stay-hinge | | | |
|--------------------------|--------------|-----|----------------|
| Item | Colours | PU | Order number |
| 80A | See page 223 | 100 | 9-47795-01-0-□ |

| Stay-bearing pin | | | |
|------------------|--|-----|----------------|
| Item | | PU | Order number |
| 53 | | 100 | 9-48898-00-0-1 |

| Stay-bearing D/130 | | | |
|--------------------|--------------------------------|-----|----------------|
| Item | | PU | Order number |
| 52B | Positioning pin Ø 6, L = 10 mm | 100 | 6-36026-10-0-1 |

| Cover cap for stay-bearing | | | |
|----------------------------|--------------|-----|----------------|
| Item | Colours | PU | Order number |
| 81A | See page 224 | 100 | 9-47334-01-0-□ |

Lower hinge-side

| Packer for drill-in hinge | | | |
|---------------------------|--------------------------|-----|------------------|
| Item | Slope of profile overlap | PU | Order number |
| 90A | 6° | 100 | 9-48684-06-L/R-□ |

| Plug | | | |
|------|--------------|-----|----------------|
| Item | Colours | PU | Order number |
| 92 | See page 227 | 100 | 9-47426-00-0-□ |

| Drill-in hinge D/130 – without turn-brake | | | |
|---|--------------------------------|-----|----------------|
| Item | | PU | Order number |
| 56B | Positioning pin Ø 6, L = 37 mm | 100 | 6-36180-03-0-1 |

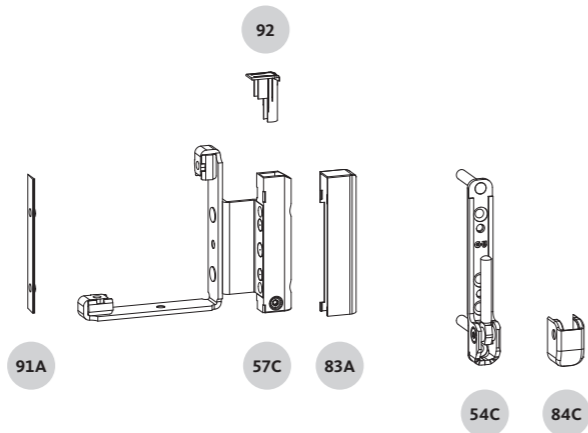
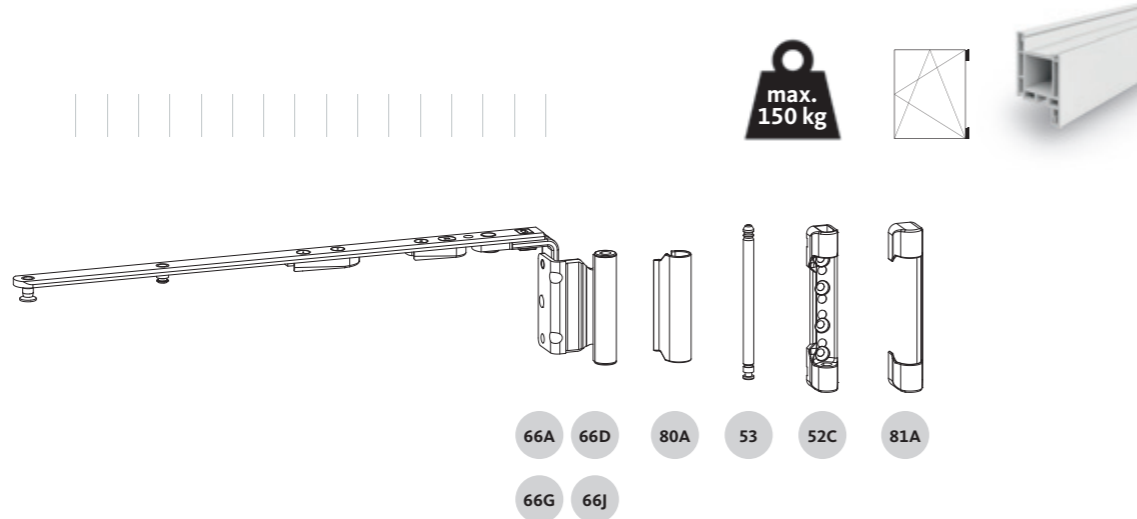
| Cover cap for drill-in hinge | | | |
|------------------------------|--------------|-----|----------------|
| Item | Colours | PU | Order number |
| 82B | See page 226 | 100 | 9-47783-01-0-□ |

| Pivot-rest D/130 | | | |
|------------------|--------------------------------|-----|----------------|
| Item | | PU | Order number |
| 54B | Positioning pin Ø 6, L = 30 mm | 100 | 6-32282-30-0-1 |

| Cover cap for pivot-rest | | | |
|--------------------------|--------------|-----|----------------|
| Item | Colours | PU | Order number |
| 84B | See page 225 | 100 | 9-37770-00-0-□ |

UNI-JET D – Tilt&Turn / Tilt-First sash

Max. sash weight 150 kg



Tested hardware load-bearing capacity

- Max. 150 kg see application diagram 0-46735
- Installation drawing 0-46738

Order example

Sash overlap
18, 20 or 22
6-36138-□□-L/R-1

UNI-JET D – Tilt&Turn / Tilt-First sash

Max. sash weight 150 kg



Upper hinge-side

| Tilt&Turn stay-arm, AX 9 mm | | | |
|-----------------------------|-----------|----|------------------|
| Item | SRW | PU | Order number |
| 66A | 280-500 | 10 | 6-39113-□□-L/R-1 |
| | 501-750 | | 6-39114-□□-L/R-1 |
| | 751-1200 | | 6-39115-□□-L/R-1 |
| | 1201-1600 | | 6-39116-□□-L/R-1 |

| Tilt&Turn stay-arm, AX 13 mm | | | |
|------------------------------|-----------|----|------------------|
| Item | SRW | PU | Order number |
| 66D | 280-500 | 10 | 6-39117-□□-L/R-1 |
| | 501-750 | | 6-39118-□□-L/R-1 |
| | 751-1200 | | 6-39119-□□-L/R-1 |
| | 1201-1600 | | 6-39120-□□-L/R-1 |

| Tilt-First stay-arm, AX 9 mm | | | |
|------------------------------|-----------|----|------------------|
| Item | SRW | PU | Order number |
| 66G | 280-500 | 10 | 6-39137-□□-L/R-1 |
| | 501-750 | | 6-39138-□□-L/R-1 |
| | 751-1200 | | 6-39139-□□-L/R-1 |
| | 1201-1600 | | 6-39140-□□-L/R-1 |

| Tilt-First stay-arm, AX 13 mm | | | |
|-------------------------------|-----------|----|------------------|
| Item | SRW | PU | Order number |
| 66J | 280-500 | 10 | 6-39141-□□-L/R-1 |
| | 501-750 | | 6-39142-□□-L/R-1 |
| | 751-1200 | | 6-39143-□□-L/R-1 |
| | 1201-1600 | | 6-39144-□□-L/R-1 |

| Cover cap for stay-hinge | | | |
|--------------------------|--------------|-----|----------------|
| Item | Colours | PU | Order number |
| 80A | See page 223 | 100 | 9-47795-01-0-□ |

| Stay-bearing pin | | | |
|------------------|--|-----|----------------|
| Item | | PU | Order number |
| 53 | | 100 | 9-48898-00-0-1 |

| Stay-bearing D/150 | | | |
|--------------------|--------------------------------|-----|----------------|
| Item | | PU | Order number |
| 52C | Positioning pin Ø 6, L = 10 mm | 100 | 6-36026-10-0-1 |

| Cover cap for stay-bearing | | | |
|----------------------------|--------------|-----|----------------|
| Item | Colours | PU | Order number |
| 81A | See page 224 | 100 | 9-47334-01-0-□ |

Lower hinge-side

| Packer for rebate corner-hinge | | | |
|--------------------------------|--------------------------|-----|------------------|
| Item | Slope of profile overlap | PU | Order number |
| 91A | 6° | 100 | 9-48658-06-L/R-7 |

| Plug | | | |
|------|--------------|-----|----------------|
| Item | Colours | PU | Order number |
| 92 | See page 227 | 100 | 9-47426-00-0-□ |

| Rebate corner-hinge D/150 – without turn-brake | | | |
|--|---------|-----|------------------|
| Item | | PU | Order number |
| 57C | Axis 9 | 100 | 6-36138-□□-L/R-1 |
| | Axis 13 | | 6-36139-□□-L/R-1 |

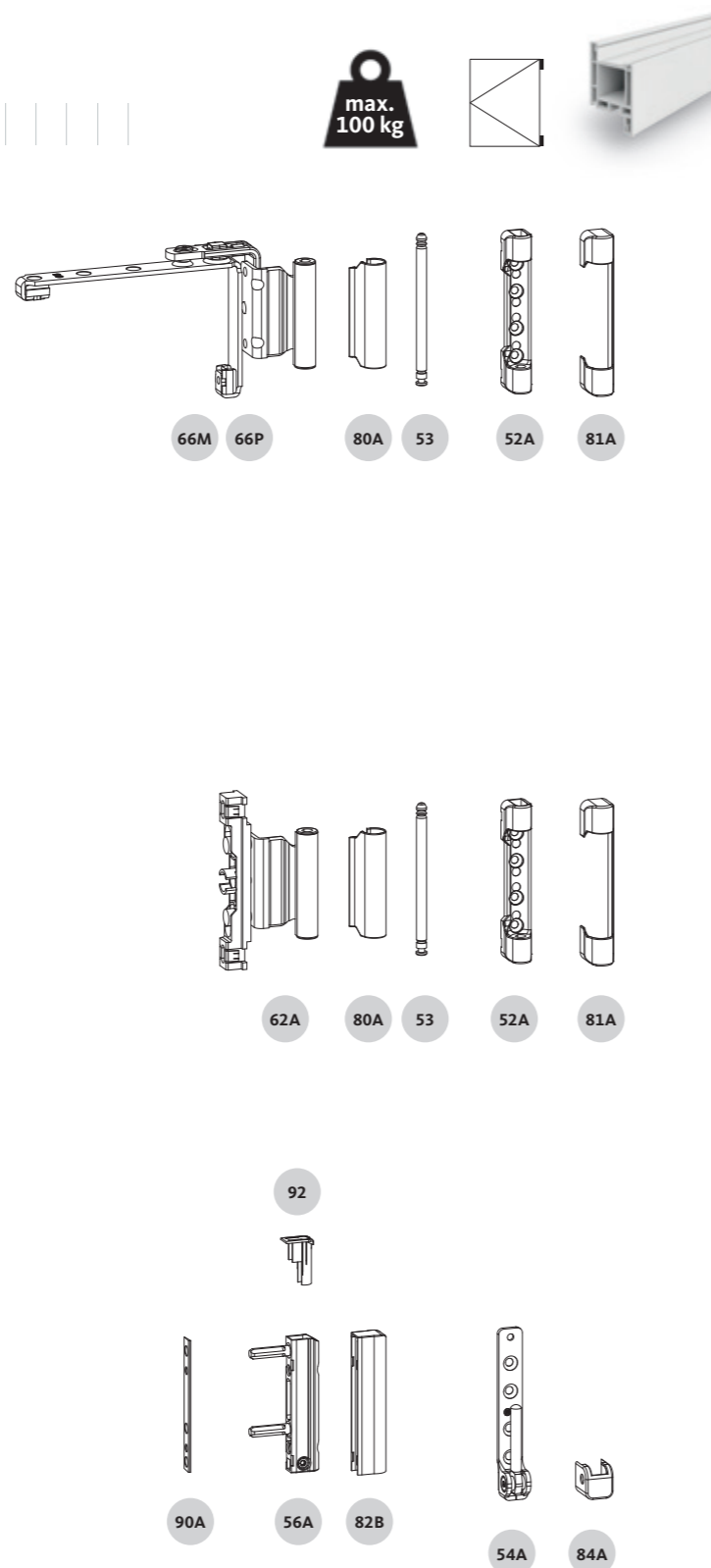
| Cover cap for rebate corner-hinge | | | |
|-----------------------------------|--------------|-----|------------------|
| Item | Colours | PU | Order number |
| 83A | See page 228 | 100 | 9-47782-00-L/R-□ |

| Pivot-rest D/150 | | | |
|------------------|--------------------------------|-----|----------------|
| Item | | PU | Order number |
| 54C | Positioning pin Ø 6, L = 30 mm | 100 | 6-32282-30-0-1 |

| Cover cap for pivot-rest | | | |
|--------------------------|--------------|-----|----------------|
| Item | Colours | PU | Order number |
| 84C | See page 225 | 100 | 9-37770-00-0-□ |

UNI-JET D – Turn-Only sash

Max. sash weight 100 kg



Tested hardware load-bearing capacity

- Max. 100 kg see application diagram 0-45558
- Installation drawing 0-46603

Order example

Sash overlap
18, 20 or 22
6-39147-□□-0-1

UNI-JET D – Turn-Only sash

Max. sash weight 100 kg



Upper hinge-side

| Turn-Only hinge, AX 9 mm | | | |
|----------------------------|---------------------------------|-----|----------------|
| Item | | PU | Order number |
| 66M | | 50 | 6-39147-□□-0-1 |
| Turn-Only hinge, AX 13 mm | | | |
| 66P | | 50 | 6-39148-□□-0-1 |
| Cover cap for stay-hinge | | | |
| Item | Colours | PU | Order number |
| 80A | See page 223 | 100 | 9-47795-01-0-□ |
| Stay-bearing pin | | | |
| Item | | PU | Order number |
| 53 | | 100 | 9-48898-00-0-1 |
| Stay-bearing D/100 | | | |
| Item | | PU | Order number |
| 52A | Positioning pin Ø 3, L = 2.5 mm | 100 | 6-36026-03-0-1 |
| | Positioning pin Ø 6, L = 2.5 mm | | 6-36026-06-0-1 |
| Cover cap for stay-bearing | | | |
| Item | Colours | PU | Order number |
| 81A | See page 224 | 100 | 9-47334-01-0-□ |

Lower hinge-side

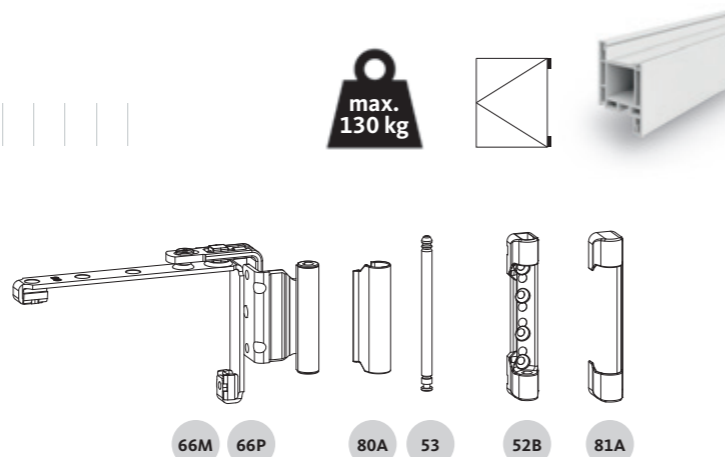
| Packer for drill-in hinge | | | |
|---|---------------------------------|-----|------------------|
| Item | Slope of profile overlap | PU | Order number |
| 90A | 6° | 100 | 9-48684-06-L/R-□ |
| Plug | | | |
| Item | Colours | PU | Order number |
| 92 | See page 227 | 100 | 9-47426-00-0-□ |
| Drill-in hinge D/100 – without turn-brake | | | |
| Item | | PU | Order number |
| 56A | Positioning pin Ø 6, L = 23 mm | 100 | 6-36180-01-0-1 |
| Cover cap for drill-in hinge | | | |
| Item | Colours | PU | Order number |
| 82B | See page 226 | 100 | 9-47783-01-0-□ |
| Pivot-rest D/100 | | | |
| Item | | PU | Order number |
| 54A | Positioning pin Ø 3, L = 2.5 mm | 100 | 6-36881-03-0-1 |
| | Positioning pin Ø 6, L = 22 mm | | 6-36882-22-0-1 |
| Cover cap for pivot-rest | | | |
| Item | Colours | PU | Order number |
| 84A | See page 225 | 100 | 9-42683-00-0-□ |

Centre hinge-side

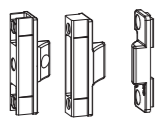
| Centre-closer, concealed (adjustable) | | | |
|---|---------------------------------|-----|------------------|
| Item | | PU | Order number |
| 64B | Sash part | 100 | 6-34229-00-0-1 |
| Centre-closer, concealed (not adjustable) | | | |
| Item | | PU | Order number |
| 64A | Sash part | 100 | 9-40564-00-0-1 |
| Centre-closer, concealed | | | |
| Item | | PU | Order number |
| 64C | Frame part | 100 | profile-specific |
| Turn-Only centre rebate-hinge (with compensation) | | | |
| Item | | PU | Order number |
| 62A | Axis 9 | 100 | 6-36841-□□-0-1 |
| | Axis 13 | | 6-36842-□□-0-1 |
| Cover for stay-hinge | | | |
| Item | Colours | PU | Order number |
| 80A | See page 223 | 100 | 9-47795-01-0-□ |
| Stay-bearing pin | | | |
| Item | | PU | Order number |
| 53 | | 100 | 9-48898-00-0-1 |
| Stay-bearing D/100 | | | |
| Item | | PU | Order number |
| 52A | Positioning pin Ø 3, L = 2.5 mm | 100 | 6-36026-03-0-1 |
| | Positioning pin Ø 6, L = 2.5 mm | | 6-36026-06-0-1 |
| Cover cap for stay-bearing | | | |
| Item | Colours | PU | Order number |
| 81A | See page 224 | 100 | 9-47334-01-0-□ |

UNI-JET D – Turn-Only sash

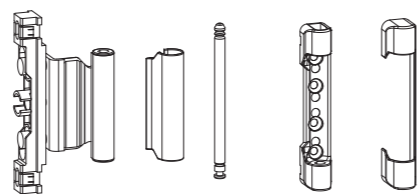
Max. sash weight 130 kg



66M 66P 80A 53 52B 81A

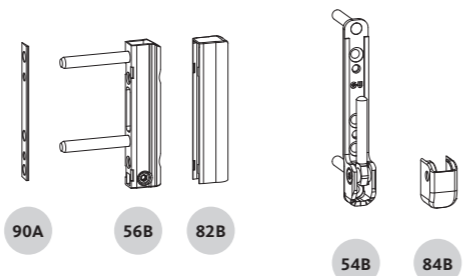


64B 64A 64C



62A 80A 53 52B 81A

92



90A 56B 82B 54B 84B

Tested hardware load-bearing capacity

- Max. 130 kg see application diagram 0-46985
- Installation drawing 0-46738

Order example

Sash overlap
18, 20 or 22
6-39147-□□-0-1

UNI-JET D – Turn-Only sash

Max. sash weight 130 kg



Upper hinge-side

| Turn-Only hinge, AX 9 mm | | | |
|----------------------------|--------------------------------|-----|----------------|
| Item | | PU | Order number |
| 66M | | 50 | 6-39147-□□-0-1 |
| Turn-Only hinge, AX 13 mm | | | |
| 66P | | 50 | 6-39148-□□-0-1 |
| Cover cap for stay-hinge | | | |
| Item | Colours | PU | Order number |
| 80A | See page 223 | 100 | 9-47795-01-0-□ |
| Stay-bearing pin | | | |
| Item | | PU | Order number |
| 53 | | 100 | 9-48898-00-0-1 |
| Stay-bearing D/130 | | | |
| Item | | PU | Order number |
| 52B | Positioning pin Ø 6, L = 10 mm | 100 | 6-36026-10-0-1 |
| Cover cap for stay-bearing | | | |
| Item | Colours | PU | Order number |
| 81A | See page 224 | 100 | 9-47334-01-0-□ |

Lower hinge-side

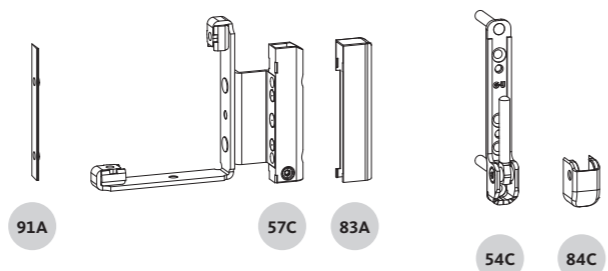
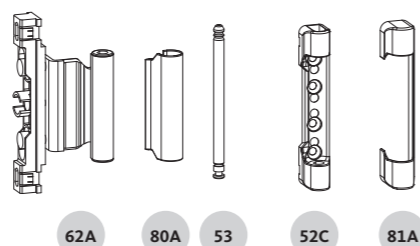
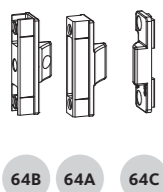
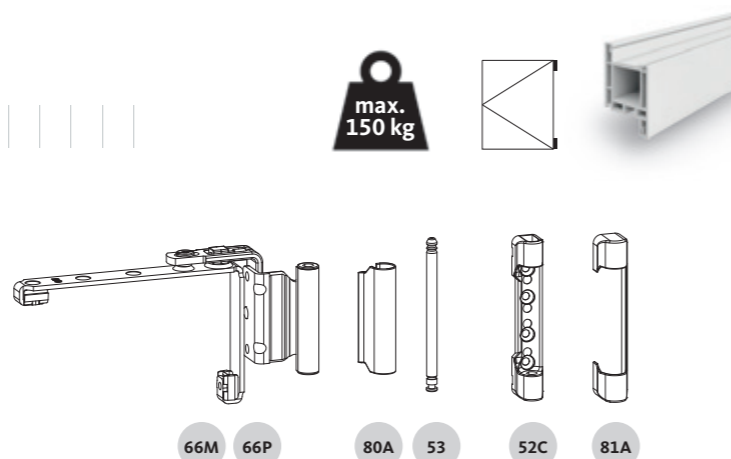
| Packer for drill-in hinge | | | |
|---|--------------------------------|-----|------------------|
| Item | Slope of profile overlap | PU | Order number |
| 90A | 6° | 100 | 9-48684-06-L/R-□ |
| Plug | | | |
| Item | Colours | PU | Order number |
| 92 | See page 227 | 100 | 9-47426-00-0-□ |
| Drill-in hinge D/130 – without turn-brake | | | |
| Item | | PU | Order number |
| 56B | Positioning pin Ø 6, L = 37 mm | 100 | 6-36180-03-0-1 |
| Cover cap for drill-in hinge | | | |
| Item | Colours | PU | Order number |
| 82B | See page 226 | 100 | 9-47783-01-0-□ |
| Pivot-rest D/130 | | | |
| Item | | PU | Order number |
| 54B | Positioning pin Ø 6, L = 30 mm | 100 | 6-32282-30-0-1 |
| Cover cap for pivot-rest | | | |
| Item | Colours | PU | Order number |
| 84B | See page 225 | 100 | 9-37770-00-0-□ |

Centre hinge-side

| Centre-closer, concealed (adjustable) | | | |
|---|--------------------------------|-----|------------------|
| Item | | PU | Order number |
| 64B | Sash part | 100 | 6-34229-00-0-1 |
| Centre-closer, concealed (not adjustable) | | | |
| Item | | PU | Order number |
| 64A | Sash part | 100 | 9-40564-00-0-1 |
| Centre-closer, concealed | | | |
| Item | | PU | Order number |
| 64C | Frame part | 100 | profile-specific |
| Turn-Only centre rebate-hinge (with compensation) | | | |
| Item | | PU | Order number |
| 62A | Axis 9 | 100 | 6-36841-□□-0-1 |
| | Axis 13 | | 6-36842-□□-0-1 |
| Cover cap for stay-hinge | | | |
| Item | Colours | PU | Order number |
| 80A | See page 223 | 100 | 9-47795-01-0-□ |
| Stay-bearing pin | | | |
| Item | | PU | Order number |
| 53 | | 100 | 9-48898-00-0-1 |
| Stay-bearing D/130 | | | |
| Item | | PU | Order number |
| 52B | Positioning pin Ø 6, L = 10 mm | 100 | 6-36026-10-0-1 |
| Cover cap for stay-bearing | | | |
| Item | Colours | PU | Order number |
| 81A | See page 224 | 100 | 9-47334-01-0-□ |

UNI-JET D – Turn-Only sash

Max. sash weight 150 kg



Tested hardware load-bearing capacity

- Max. 150 kg see application diagram 0-46735
- Installation drawing 0-46738

Order example

Sash overlap
18, 20 or 22
6-39147-□□-0-1

UNI-JET D – Turn-Only sash

Max. sash weight 150 kg



Upper hinge-side

| Turn-Only hinge, AX 9 mm | | | |
|--------------------------|--|----|----------------|
| Item | | PU | Order number |
| 66M | | 50 | 6-39147-□□-0-1 |

| Turn-Only hinge, AX 13 mm | | | |
|---------------------------|--|----|----------------|
| Item | | PU | Order number |
| 66P | | 50 | 6-39148-□□-0-1 |

| Cover cap for stay-hinge | | | |
|--------------------------|--------------|-----|----------------|
| Item | Colours | PU | Order number |
| 80A | See page 223 | 100 | 9-47795-01-0-□ |

| Stay-bearing pin | | | |
|------------------|--|-----|----------------|
| Item | | PU | Order number |
| 53 | | 100 | 9-48898-00-0-1 |

| Stay-bearing D/150 | | | |
|--------------------|--------------------------------|-----|----------------|
| Item | | PU | Order number |
| 52C | Positioning pin Ø 6, L = 10 mm | 100 | 6-36026-10-0-1 |

| Cover cap for stay-bearing | | | |
|----------------------------|--------------|-----|----------------|
| Item | Colours | PU | Order number |
| 81A | See page 224 | 100 | 9-47334-01-0-□ |

Lower hinge-side

| Packer for rebate corner-hinge | | | |
|--------------------------------|--------------------------|-----|------------------|
| Item | Slope of profile overlap | PU | Order number |
| 91A | 6° | 100 | 9-48658-06-L/R-7 |

| Plug | | | |
|------|--------------|-----|----------------|
| Item | Colours | PU | Order number |
| 92 | See page 227 | 100 | 9-47426-00-0-□ |

| Rebate corner-hinge D/150 – without turn-brake | | | |
|--|---------|-----|------------------|
| Item | | PU | Order number |
| 57C | Axis 9 | 100 | 6-36138-□□-L/R-1 |
| | Axis 13 | | 6-36139-□□-L/R-1 |

| Cover cap for rebate corner-hinge | | | |
|-----------------------------------|--------------|-----|------------------|
| Item | Colours | PU | Order number |
| 83A | See page 228 | 100 | 9-47782-00-L/R-□ |

| Pivot-rest D/150 | | | |
|------------------|--------------------------------|-----|----------------|
| Item | | PU | Order number |
| 54C | Positioning pin Ø 6, L = 30 mm | 100 | 6-32282-30-0-1 |

| Cover cap for pivot-rest | | | |
|--------------------------|--------------|-----|----------------|
| Item | Colours | PU | Order number |
| 84C | See page 225 | 100 | 9-37770-00-0-□ |

Centre hinge-side

| Centre-closer, concealed (adjustable) | | | |
|---------------------------------------|-----------|-----|----------------|
| Item | | PU | Order number |
| 64B | Sash part | 100 | 6-34229-00-0-1 |

| Centre-closer, concealed (not adjustable) | | | |
|---|-----------|-----|----------------|
| Item | | PU | Order number |
| 64A | Sash part | 100 | 9-40564-00-0-1 |

| Centre-closer, concealed | | | |
|--------------------------|------------|-----|------------------|
| Item | | PU | Order number |
| 64C | Frame part | 100 | profile-specific |

| Turn-Only centre rebate-hinge (with compensation) | | | |
|---|---------|-----|----------------|
| Item | | PU | Order number |
| 62A | Axis 9 | 100 | 6-36841-□□-0-1 |
| | Axis 13 | | 6-36842-□□-0-1 |

| Cover cap for stay-hinge | | | |
|--------------------------|--------------|-----|----------------|
| Item | Colours | PU | Order number |
| 80A | See page 223 | 100 | 9-47795-01-0-□ |

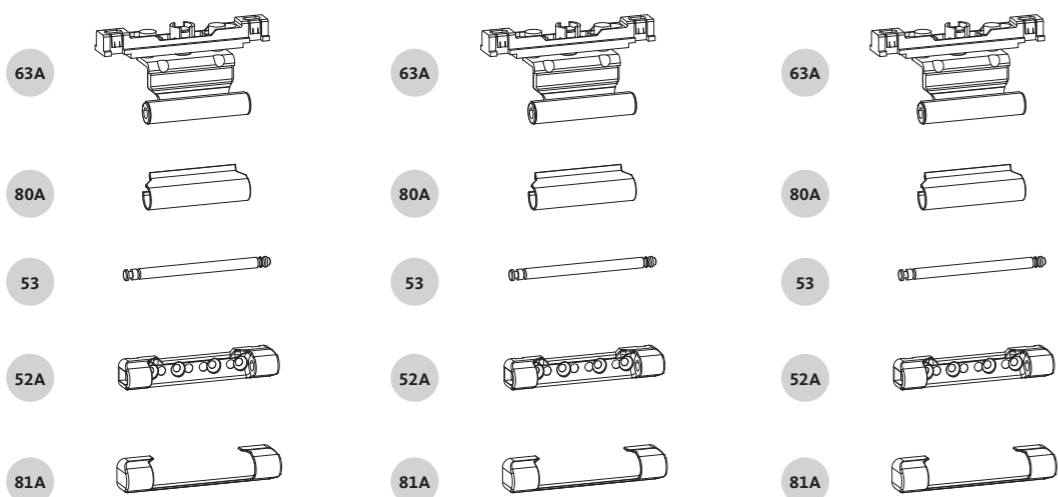
| Stay-bearing pin | | | |
|------------------|--|-----|----------------|
| Item | | PU | Order number |
| 53 | | 100 | 9-48898-00-0-1 |

| Stay-bearing/D 150 | | | |
|--------------------|--------------------------------|-----|----------------|
| Item | | PU | Order number |
| 52C | Positioning pin Ø 6, L = 10 mm | 100 | 6-36026-10-0-1 |

| Cover cap for stay-bearing | | | |
|----------------------------|--------------|-----|----------------|
| Item | Colours | PU | Order number |
| 81A | See page 224 | 100 | 9-47334-01-0-□ |

UNI-JET D – Tilt-Only sash

Max. sash weight 80 kg



UNI-JET D – Tilt-Only sash

Max. sash weight 80 kg



Lower hinge-side

| Tilt-Only hinge [1] | | | |
|---------------------|---------|-----|----------------|
| Item | | PU | Order number |
| 63A | Axis 9 | 100 | 6-36838-□□-0-1 |
| | Axis 13 | | 6-36839-□□-0-1 |

| Cover cap for stay-hinge | | | |
|--------------------------|--------------|-----|----------------|
| Item | Colours | PU | Order number |
| 80A | See page 223 | 100 | 9-47795-01-0-□ |

| Stay-bearing pin | | | |
|------------------|--|-----|----------------|
| Item | | PU | Order number |
| 53 | | 100 | 9-48898-00-0-1 |

| Stay-bearing D/100 | | | |
|--------------------|---------------------------------|-----|----------------|
| Item | | PU | Order number |
| 52A | Positioning pin Ø 3, L = 2.5 mm | 100 | 6-36026-03-0-1 |
| | Positioning pin Ø 6, L = 2.5 mm | | 6-36026-06-0-1 |

| Cover cap for stay-bearing | | | |
|----------------------------|--------------|-----|----------------|
| Item | Colours | PU | Order number |
| 81A | See page 224 | 100 | 9-47334-01-0-□ |

Tested hardware load-bearing capacity

- Max. 80 kg see application diagram 0-46854
- Installation drawing 0-46795
- SRW min. = 480 mm
- SRW max. = 2400 mm
- SRH min. = 260 mm
- SRH max. = 1200 mm

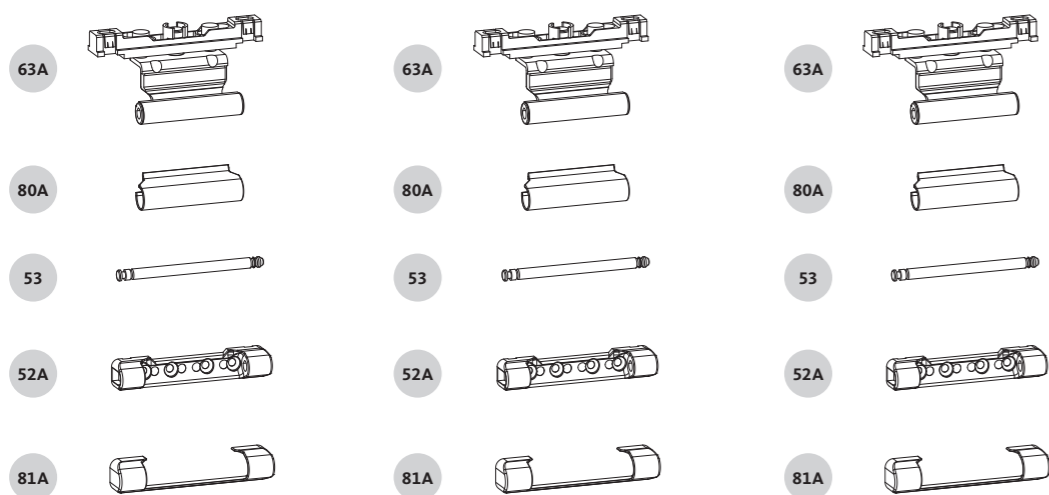
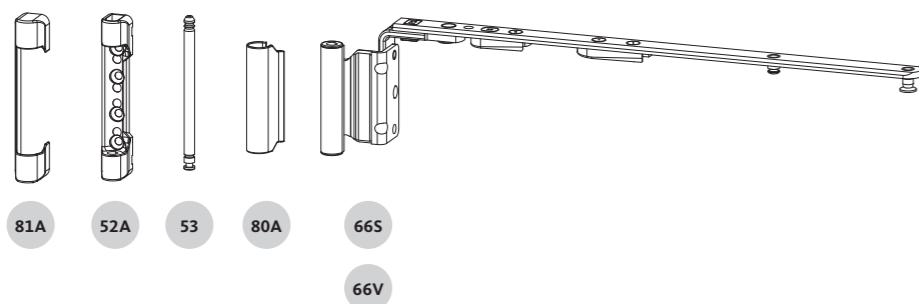
Order example

Sash overlap
18, 20 or 22
6-36838-□□-0-1

[1] SRW < 1200 mm, 2 pcs Tilt-Only hinges.
SRW > 1201 mm, 3 pcs Tilt-Only hinges.
See installation drawing 0-46795.

UNI-JET D – Tilt-Only sash (handle on the side)

Max. sash weight 100 kg



Tested hardware load-bearing capacity

- Max. 100 kg see application diagram 0-46854
- Installation drawing 0-46795
- SRW min. = 480 mm
- SRW max. = 2400 mm
- SRH min. = 260 mm
- SRH max. = 1200 mm

Order example

Sash overlap
18, 20 or 22
6-36838-□□-0-1

UNI-JET D – Tilt-Only sash (handle on the side)

Max. sash weight 100 kg



Top (additional) hinge-side

| Cover cap for stay-bearing | | | |
|----------------------------|--------------|-----|----------------|
| Item | Colours | PU | Order number |
| 81A | See page 224 | 100 | 9-47334-01-0-□ |

| Stay-bearing D/100 | | | |
|--------------------|---------------------------------|-----|----------------|
| Item | | PU | Order number |
| 52A | Positioning pin Ø 3, L = 2.5 mm | 100 | 6-36026-03-0-1 |
| | Positioning pin Ø 6, L = 2.5 mm | | 6-36026-06-0-1 |

| Stay-bearing pin | | | |
|------------------|--|-----|----------------|
| Item | | PU | Order number |
| 53 | | 100 | 9-48898-00-0-1 |

| Cover cap for stay-hinge | | | |
|--------------------------|--------------|-----|----------------|
| Item | Colours | PU | Order number |
| 80A | See page 223 | 100 | 9-47795-01-0-□ |

| Tilt-Only sash stay-arm, AX 9 mm | | | |
|----------------------------------|---------------|----|----------------|
| Item | SRW | PU | Order number |
| 66S | 1320-2220 [1] | 10 | 6-39145-□□-0-1 |

| Tilt-Only sash stay-arm, AX 13 mm | | | |
|-----------------------------------|---------------|----|----------------|
| Item | SRW | PU | Order number |
| 66V | 1320-2220 [1] | 10 | 6-39146-□□-0-1 |

Lower hinge-side

| Tilt-Only hinge [2] | | | |
|---------------------|---------|-----|----------------|
| Item | | PU | Order number |
| 63A | Axis 9 | 100 | 6-36838-□□-0-1 |
| | Axis 13 | | 6-36839-□□-0-1 |

| Cover cap for stay-hinge | | | |
|--------------------------|--------------|-----|----------------|
| Item | Colours | PU | Order number |
| 80A | See page 223 | 100 | 9-47795-01-0-□ |

| Stay-bearing pin | | | |
|------------------|--|-----|----------------|
| Item | | PU | Order number |
| 53 | | 100 | 9-48898-00-0-1 |

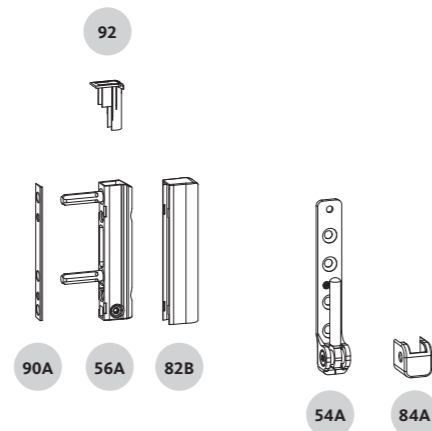
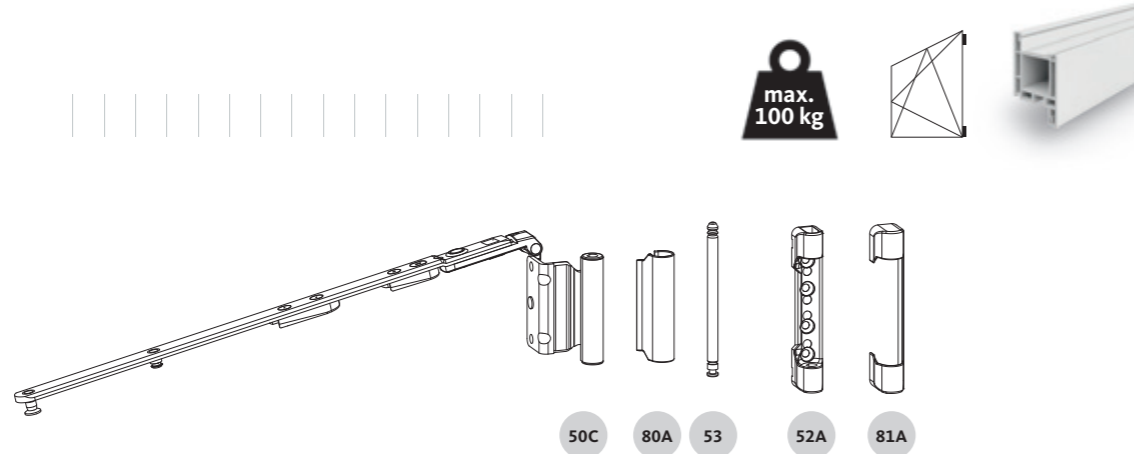
| Stay-bearing D/100 | | | |
|--------------------|---------------------------------|-----|----------------|
| Item | | PU | Order number |
| 52A | Positioning pin Ø 3, L = 2.5 mm | 100 | 6-36026-03-0-1 |
| | Positioning pin Ø 6, L = 2.5 mm | | 6-36026-06-0-1 |

| Cover cap for stay-bearing | | | |
|----------------------------|--------------|-----|----------------|
| Item | Colours | PU | Order number |
| 81A | See page 224 | 100 | 9-47334-01-0-□ |

- [1] For wide Tilt-Only sashes up to SRW 2220 mm in combination with Tilt-Only stay-guide 6-32183-□□ and extension 6-32334-00. Observe installation drawing 0-44401.
- [2] SRW < 1200 mm, 2 pcs Tilt-Only hinges.
SRW > 1201 mm, 3 pcs Tilt-Only hinges.
See installation drawing 0-46795.

UNI-JET D – Tilt&Turn sash, pitched window

Max. sash weight 100 kg



Tested hardware load-bearing capacity

- Max. 100 kg see application diagrams 0-45877, 0-45878, 0-45879, 0-45880
- Installation drawing 0-46742

Order example

Sash overlap
18, 20 or 22
6-36818-□□-0-1

UNI-JET D – Tilt&Turn sash, pitched window

Max. sash weight 100 kg



Upper hinge-side

| Pitched window stay-arm, AX 9 mm | | | |
|-----------------------------------|-----------|-----|----------------|
| Item | SRW P | PU | Order number |
| 50C | 410-510 | 100 | 6-36818-□□-0-1 |
| | 511-760 | | 6-36819-□□-0-1 |
| | 761-1210 | | 6-36820-□□-0-1 |
| | 1211-1460 | | 6-36821-□□-0-1 |
| Pitched window stay-arm, AX 13 mm | | | |
| 50C | 410-510 | 100 | 6-36822-□□-0-1 |
| | 511-760 | | 6-36823-□□-0-1 |
| | 761-1210 | | 6-36824-□□-0-1 |
| | 1211-1460 | | 6-36825-□□-0-1 |

| Cover cap for stay-hinge | | | |
|--------------------------|--------------|-----|----------------|
| Item | Colours | PU | Order number |
| 80A | See page 223 | 100 | 9-47795-01-0-□ |

| Stay-bearing pin | | | |
|------------------|--|-----|----------------|
| Item | | PU | Order number |
| 53 | | 100 | 9-48898-00-0-1 |

| Stay-bearing D/100 | | | |
|--------------------|---------------------------------|-----|----------------|
| Item | | PU | Order number |
| 52A | Positioning pin Ø 3, L = 2.5 mm | 100 | 6-36026-03-0-1 |
| | Positioning pin Ø 6, L = 2.5 mm | | 6-36026-06-0-1 |

| Cover cap for stay-bearing | | | |
|----------------------------|--------------|-----|----------------|
| Item | Colours | PU | Order number |
| 81A | See page 224 | 100 | 9-47334-01-0-□ |

Lower hinge-side

| Packer for drill-in hinge | | | |
|---------------------------|--------------------------|-----|------------------|
| Item | Slope of profile overlap | PU | Order number |
| 90A | 6° | 100 | 9-48684-06-L/R-□ |

| Plug | | | |
|------|--------------|-----|----------------|
| Item | Colours | PU | Order number |
| 92 | See page 227 | 100 | 9-47426-00-0-□ |

| Drill-in hinge D/100 – without turn-brake | | | |
|---|--|-----|----------------|
| Item | | PU | Order number |
| 56A | | 100 | 6-36180-01-0-1 |

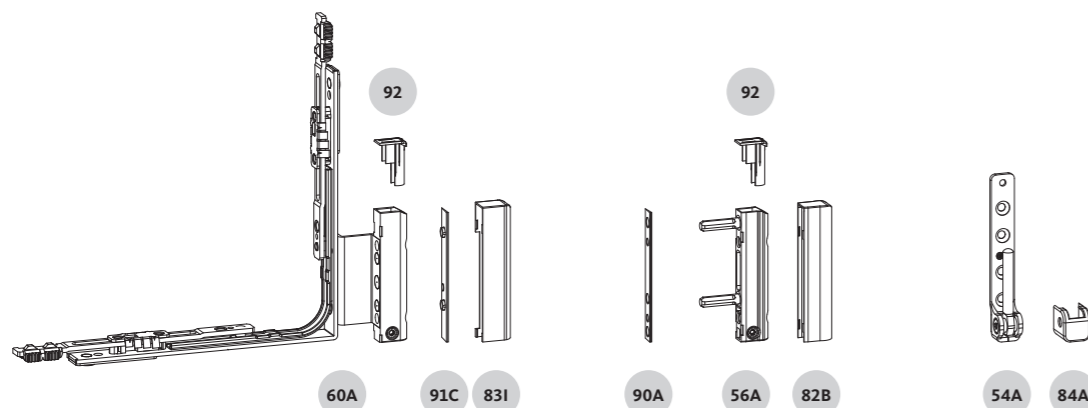
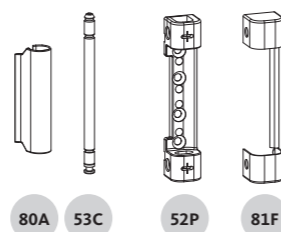
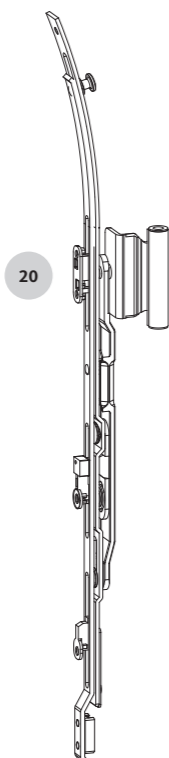
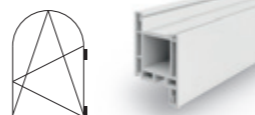
| Cover cap for drill-in hinge | | | |
|------------------------------|--------------|-----|----------------|
| Item | Colours | PU | Order number |
| 82B | See page 226 | 100 | 9-47783-01-0-□ |

| Pivot-rest D/100 | | | |
|------------------|---------------------------------|-----|----------------|
| Item | | PU | Order number |
| 54A | Positioning pin Ø 3, L = 2.5 mm | 100 | 6-36881-03-0-1 |
| | Positioning pin Ø 6, L = 22 mm | | 6-36882-22-0-1 |

| Cover cap for pivot-rest | | | |
|--------------------------|--------------|-----|----------------|
| Item | Colours | PU | Order number |
| 84A | See page 225 | 100 | 9-42683-00-0-□ |

UNI-JET D – Tilt&Turn sash, arched window

Max. sash weight 80 kg



UNI-JET D – Tilt&Turn sash, arched window

Max. sash weight 80 kg



Upper hinge-side

| Arched stay, AX 9 mm | | | | | |
|----------------------|----------|----------|-------|----|----------------|
| Item | SRW | SRH RA | LC-MA | PU | Order number |
| 20 | 455-1250 | 470-2090 | 1 | 10 | 6-39336-□□-0-1 |

| Arched stay, AX 13 mm | | | | | |
|-----------------------|----------|----------|-------|----|----------------|
| Item | SRW | SRH RA | LC-MA | PU | Order number |
| 20 | 455-1250 | 470-2090 | 1 | 10 | 6-39337-□□-0-1 |

| Cover cap for stay-hinge | | | |
|--------------------------|--------------|-----|----------------|
| Item | Colours | PU | Order number |
| 80A | See page 223 | 100 | 9-47795-01-0-□ |

| Stay-bearing pin | | | |
|------------------|---------|-----|----------------|
| Item | Colours | PU | Order number |
| 53C | | 100 | 9-50141-00-0-1 |

| Stay-bearing | | | |
|--------------|---------------------------------|-----|----------------|
| Item | Colours | PU | Order number |
| 52P | Positioning pin Ø 3, L = 2.5 mm | 100 | 6-39063-03-0-1 |

| Cover cap for stay-bearing | | | |
|----------------------------|--------------|-----|----------------|
| Item | Colours | PU | Order number |
| 81F | See page 224 | 100 | 9-50710-00-0-□ |

Lower hinge-side

| Corner-drive rebate-hinge D/100 – with turn-brake | | | |
|---|---------|----|----------------|
| Item | Colours | PU | Order number |
| 60A | Axis 9 | 50 | 6-36890-□□-0-1 |
| | Axis 13 | 50 | 6-36891-□□-0-1 |

| Packer for corner-drive rebate-hinge | | | |
|--------------------------------------|--------------------------|-----|------------------|
| Item | Slope of profile overlap | PU | Order number |
| 91C | 6° | 100 | 9-48658-06-L/R-7 |

| Cover for corner-drive rebate-hinge | | | |
|-------------------------------------|--------------|-----|------------------|
| Item | Colours | PU | Order number |
| 83I | See page 228 | 100 | 9-47782-00-L/R-□ |

| Plug | | | |
|------|--------------|-----|----------------|
| Item | Colours | PU | Order number |
| 92 | See page 227 | 100 | 9-47426-00-0-□ |

| Drill-in hinge D/100 – without turn-brake | | | |
|---|--------------------------------|-----|----------------|
| Item | Colours | PU | Order number |
| 56A | Positioning pin Ø 6, L = 23 mm | 100 | 6-36180-01-0-1 |

| Packer for drill-in hinge | | | |
|---------------------------|--------------------------|-----|------------------|
| Item | Slope of profile overlap | PU | Order number |
| 90A | 6° | 100 | 9-48684-06-L/R-□ |

| Cover cap for drill-in hinge | | | |
|------------------------------|--------------|-----|----------------|
| Item | Colours | PU | Order number |
| 82B | See page 226 | 100 | 9-47783-01-0-□ |

| Pivot-rest D/100 | | | |
|------------------|---------------------------------|-----|----------------|
| Item | Colours | PU | Order number |
| 54A | Positioning pin Ø 3, L = 2.5 mm | 100 | 6-36881-03-0-1 |
| | Positioning pin Ø 6, L = 22 mm | | 6-36882-22-0-1 |

| Cover cap for pivot-rest | | | |
|--------------------------|--------------|-----|----------------|
| Item | Colours | PU | Order number |
| 84A | See page 225 | 100 | 9-42683-00-0-□ |

Tested hardware load-bearing capacity

- Max. 80 kg see application diagram 0-47727
- Installation drawing 0-47637 for hinge-side
- Installation drawing 0-47299 for central locking system

Order example

Sash overlap
18, 20 or 22
6-39336-□□-0-1

UNI-JET D – hinge-side accessories

Stay-bearing



| Stay-bearing D/100 | | | |
|--------------------|---------------------------------|-----|----------------|
| Item | Description | PU | Order number |
| 52A | Positioning pin Ø 3, L = 2.5 mm | 100 | 6-36026-03-0-1 |
| | Positioning pin Ø 6, L = 2.5 mm | | 6-36026-06-0-1 |



| Stay-bearing D/130 | | | |
|--------------------|--------------------------------|-----|----------------|
| Item | Description | PU | Order number |
| 52B | Positioning pin Ø 6, L = 10 mm | 100 | 6-36026-10-0-1 |



| Stay-bearing D/150 | | | |
|--------------------|--------------------------------|-----|----------------|
| Item | Description | PU | Order number |
| 52C | Positioning pin Ø 6, L = 10 mm | 100 | 6-36026-10-0-1 |



| Stay-bearing for round arch | | | |
|-----------------------------|---------------------------------|-----|----------------|
| Item | Description | PU | Order number |
| 52P | Positioning pin Ø 3, L = 2.5 mm | 100 | 6-39063-03-0-1 |

UNI-JET D – hinge-side accessories

Stay-bearing pin



| Stay-bearing pin | | | |
|------------------|-------------|-----|----------------|
| Item | Description | PU | Order number |
| 53 | | 100 | 9-48898-00-0-1 |



A stay-bearing pin must be ordered separately with every stay-bearing.

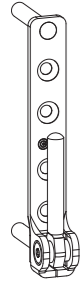


| Stay-bearing pin for round arch | | | |
|---------------------------------|-------------|-----|----------------|
| Item | Description | PU | Order number |
| 53C | | 100 | 9-50141-00-0-1 |

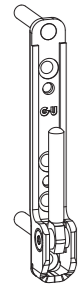
A stay-bearing pin must be ordered separately with every stay-bearing.

UNI-JET D – hinge-side accessories

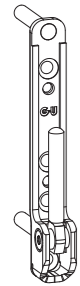
Pivot-rest



| Pivot-rest D/100 | | | |
|------------------|-----------------------------------|-----|----------------|
| Item | Description | PU | Order number |
| 54A | Positioning pin Ø 3, L = 2.5 mm | 100 | 6-36881-03-0-1 |
| | Positioning pin Ø 6, L = 2.5 mm | | 6-36881-06-0-1 |
| | Positioning pin Ø 6, L = 5 mm | | 6-36882-05-0-1 |
| | Positioning pin Ø 6, L = 10 mm | | 6-36882-10-0-1 |
| | Positioning pin Ø 6, L = 5, 10 mm | | 6-36882-11-0-1 |
| | Positioning pin Ø 6, L = 22 mm | | 6-36882-22-0-1 |
| | Positioning pin Ø 6, L = 5, 22 mm | | 6-36882-25-0-1 |
| | Positioning pin Ø 6, L = 30 mm | | 6-36882-30-0-1 |



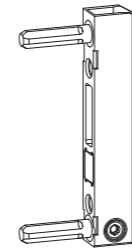
| Pivot-rest D/130 | | | |
|------------------|--------------------------------|-----|----------------|
| Item | Description | PU | Order number |
| 54B | Positioning pin Ø 6, L = 30 mm | 100 | 6-32282-30-0-1 |



| Pivot-rest D/150 | | | |
|------------------|--------------------------------|-----|----------------|
| Item | Description | PU | Order number |
| 54C | Positioning pin Ø 6, L = 30 mm | 100 | 6-32282-30-0-1 |

UNI-JET D – hinge-side accessories

Drill-in hinge



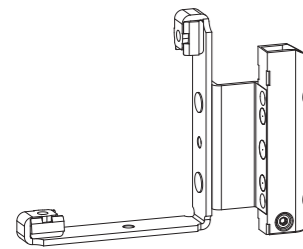
| Drill-in hinge D/100 – with turn-brake | | | |
|--|--------------------------------|-----|------------------|
| Item | Description | PU | Order number |
| 56E | Positioning pin Ø 6, L = 23 mm | 100 | 6-36181-01-L/R-1 |

- Adjustable concealed turn-brake prevents the sash from closing of its own accord (also with slight air draughts).



UNI-JET D – hinge-side accessories

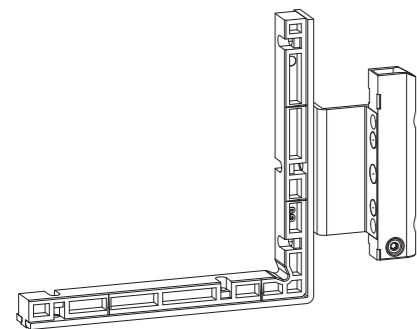
Rebate corner-hinge



| Rebate corner-hinge D/150 – with turn-brake, AX 9 mm | | | |
|--|-------------|-----|------------------|
| Item | Description | PU | Order number |
| 57C | Size 18 | 100 | 6-36140-18-L/R-1 |
| | Size 20 | | 6-36140-20-L/R-1 |
| | Size 22 | | 6-36140-22-L/R-1 |

| Rebate corner-hinge D/150 – with turn-brake, AX 13 mm | | | |
|---|-------------|-----|------------------|
| Item | Description | PU | Order number |
| 57C | Size 18 | 100 | 6-36141-18-L/R-1 |
| | Size 20 | | 6-36141-20-L/R-1 |
| | Size 22 | | 6-36141-22-L/R-1 |

- Adjustable concealed turn-brake prevents the sash from closing of its own accord (also with slight air draughts).

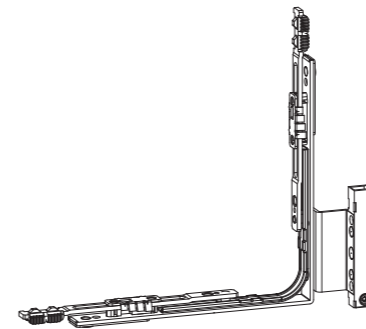


| Higher positioned rebate corner-hinge D/130 – with turn-brake, AX 13 mm | | | |
|---|-------------|----|------------------|
| Item | Description | PU | Order number |
| 58B | Size 18 | 50 | 6-36883-18-L/R-1 |
| | Size 20 | | 6-36883-20-L/R-1 |
| | Size 22 | | 6-36883-22-L/R-1 |

- Adjustable concealed turn-brake prevents the sash from closing of its own accord (also with slight air draughts).

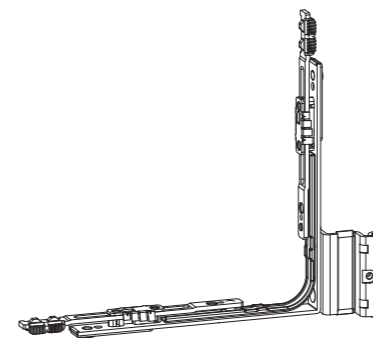
UNI-JET D – hinge-side accessories

Corner-drive rebate-hinge / rebate corner-hinge



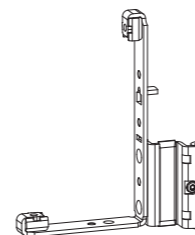
| Corner-drive rebate-hinge D/100 – with turn-brake | | | |
|---|-----------------|----|------------------|
| Item | Description | PU | Order number |
| 60A | Size 18 / AX 9 | 50 | 6-36890-18-L/R-1 |
| | Size 18 / AX 13 | | 6-36891-18-L/R-1 |
| | Size 20 / AX 9 | | 6-36890-20-L/R-1 |
| | Size 20 / AX 13 | | 6-36891-20-L/R-1 |
| | Size 22 / AX 9 | | 6-36890-22-L/R-1 |
| | Size 22 / AX 13 | | 6-36891-22-L/R-1 |

- The corner-drive rebate-hinge combines the functions of rebate corner-hinge and corner-drive. The integrated corner-drive has the function of deflecting the hinge-side locking system around the corner at the bottom.
- For arched and pitched windows.
- Adjustable concealed turn-brake prevents the sash from closing of its own accord (also with slight air draughts).



| Corner-drive rebate-hinge D/100 – without overlap screw-fixing, with turn-brake | | | |
|---|-----------------|----|------------------|
| Item | Description | PU | Order number |
| 60G | Size 18 / AX 9 | 50 | 6-39000-18-L/R-1 |
| | Size 18 / AX 13 | | 6-39001-18-L/R-1 |
| | Size 20 / AX 9 | | 6-39000-20-L/R-1 |
| | Size 20 / AX 13 | | 6-39001-20-L/R-1 |

- The corner-drive rebate-hinge combines the functions of rebate corner-hinge and corner-drive. The integrated corner-drive has the function of deflecting the hinge-side locking system around the corner at the bottom.
- For arched and pitched windows.
- Adjustable concealed turn-brake prevents the sash from closing of its own accord (also with slight air draughts).



| Rebate corner-hinge D/100 – without overlap screw-fixing, with turn-brake | | | |
|---|-----------------|----|------------------|
| Item | Description | PU | Order number |
| 59A | Size 18 / AX 9 | 50 | 6-37455-18-L/R-1 |
| | Size 18 / AX 13 | | 6-37456-18-L/R-1 |
| | Size 20 / AX 9 | | 6-37455-20-L/R-1 |
| | Size 20 / AX 13 | | 6-37456-20-L/R-1 |

- Adjustable concealed turn-brake prevents the sash from closing of its own accord (also with slight air draughts).

UNI-JET D – hinge-side accessories

Packers



| Packer for drill-in hinge | | | |
|---------------------------|---|-----|------------------|
| Item | Description | PU | Order number |
| 90A | Profile-specific for overlaps with 6° bevel | 100 | 9-48684-06-L/R-7 |

| Packer for drill-in hinge R14 | | | |
|-------------------------------|---|-----|------------------|
| Item | Description | PU | Order number |
| 90B | Profile-specific for profile overlaps with 14 mm radius | 100 | 9-48684-14-L/R-7 |

| Packer for rebate corner-hinge | | | |
|--------------------------------|---|-----|------------------|
| Item | Description | PU | Order number |
| 91A | Profile-specific for overlaps with 6° bevel | 100 | 9-48658-06-L/R-7 |

| Packer for corner-drive rebate-hinge | | | |
|--------------------------------------|---|-----|------------------|
| Item | Description | PU | Order number |
| 91C | Profile-specific for overlaps with 6° bevel | 100 | 9-48658-06-L/R-7 |

| Packer for rebate corner-hinge R14 | | | |
|------------------------------------|---|-----|------------------|
| Item | Description | PU | Order number |
| 90C | Profile-specific for profile overlaps with 14 mm radius | 100 | 9-48658-14-L/R-7 |

■ More colours are available on request

UNI-JET D – hinge-side accessories

Cover caps



| Cover cap for stay-hinge | | | |
|--------------------------|------------------|------------------------|-----------------|
| Colours | GU internal ref. | Info | Order number |
| Silver colour | 1N (painted) | EV1 | 9-47795-01-0-1 |
| Champagne | 2N (painted) | EV2 | 9-47795-01-0-2 |
| Vaporised brass | 3R (vaporised) | Vap. brass | 9-47795-01-0-3 |
| Brass colour | 3N (painted) | Brass col. | 9-47795-01-0-3N |
| Medium bronze | 4N (painted) | UC 3 | 9-47795-01-0-4 |
| Dark brown | 5X (coloured) | UC5 | 9-47795-01-0-5 |
| Clay brown | 54 (painted) | RAL 8003 | 9-47795-01-0-54 |
| Black | 6N (painted) | RAL 9005 | 9-47795-01-0-6 |
| Cream white | 7R (painted) | RAL 9001 | 9-47795-01-0-7R |
| Traffic white | 7X (coloured) | RAL 9016 | 9-47795-01-0-7 |
| Stainless-steel effect | 8X (painted) | Stainless-steel effect | 9-47795-01-0-8 |
| Light ivory | AN (painted) | RAL 1015 | 9-47795-01-0-AN |
| Light brown | AM (painted) | F4 light brown | 9-47795-01-0-AM |
| Titanium colour | CL (painted) | Titanium colour | 9-47795-01-0-C |
| Anthracite grey | DP (painted) | RAL 7016 | 9-47795-01-0-DP |

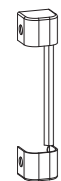
■ Packaging: 100 pcs cover caps in cardboard box
 ■ More colours are available on request

UNI-JET D – hinge-side accessories

Cover caps



| Cover cap for stay-bearing | | | |
|----------------------------|------------------|------------------------|-----------------|
| Colours | GU internal ref. | Info | Order number |
| Silver colour | 1N (painted) | EV1 | 9-47334-01-0-1 |
| Champagne | 2N (painted) | EV2 | 9-47334-01-0-2 |
| Vaporised brass | 3R (vaporised) | Vap. brass | 9-47334-01-0-3 |
| Brass colour | 3N (painted) | Brass col. | 9-47334-01-0-3N |
| Medium bronze | 4N (painted) | UC 3 | 9-47334-01-0-4 |
| Dark brown | 5X (coloured) | UC5 | 9-47334-01-0-5 |
| Clay brown | 54 (painted) | RAL 8003 | 9-47334-01-0-54 |
| Black | 6N (painted) | RAL 9005 | 9-47334-01-0-6 |
| Cream white | 7R (painted) | RAL 9001 | 9-47334-01-0-7R |
| Traffic white | 7X (coloured) | RAL 9016 | 9-47334-01-0-7 |
| Stainless-steel effect | 8X (painted) | Stainless-steel effect | 9-47334-01-0-8 |
| Light ivory | AN (painted) | RAL 1015 | 9-47334-01-0-AN |
| Light brown | AM (painted) | F4 light brown | 9-47334-01-0-AM |
| Titanium colour | CL (painted) | Titanium colour | 9-47334-01-0-C |
| Anthracite grey | DP (painted) | RAL 7016 | 9-47334-01-0-DP |



| Cover cap for round-arch stay-bearing | | | |
|---------------------------------------|------------------|------------------------|-----------------|
| Colours | GU internal ref. | Info | Order number |
| Silver colour | 1N (painted) | EV1 | 9-50710-00-0-1 |
| Champagne | 2N (painted) | EV2 | 9-50710-00-0-2 |
| Vaporised brass | 3R (vaporised) | Vap. brass | 9-50710-00-0-3 |
| Brass colour | 3N (painted) | Brass col. | 9-50710-00-0-3N |
| Medium bronze | 4N (painted) | UC 3 | 9-50710-00-0-4 |
| Dark brown | 5X (coloured) | UC5 | 9-50710-00-0-5 |
| Clay brown | 54 (painted) | RAL 8003 | 9-50710-00-0-54 |
| Black | 6N (painted) | RAL 9005 | 9-50710-00-0-6 |
| Cream white | 7R (painted) | RAL 9001 | 9-50710-00-0-7R |
| Traffic white | 7X (coloured) | RAL 9016 | 9-50710-00-0-7 |
| Stainless-steel effect | 8X (painted) | Stainless-steel effect | 9-50710-00-0-8 |
| Light ivory | AN (painted) | RAL 1015 | 9-50710-00-0-AN |
| Light brown | AM (painted) | F4 light brown | 9-50710-00-0-AM |
| Titanium colour | CL (painted) | Titanium colour | 9-50710-00-0-C |
| Anthracite grey | DP (painted) | RAL 7016 | 9-50710-00-0-DP |

- Packaging: 100 pcs cover caps in cardboard box
- More colours are available on request

UNI-JET D – hinge-side accessories

Cover caps



| Cover cap for pivot-rest D/100 | | | |
|--------------------------------|------------------|------------------------|-----------------|
| Colours | GU internal ref. | Info | Order number |
| Silver colour | 1N (painted) | EV1 | 9-42683-00-0-1 |
| Champagne | 2N (painted) | EV2 | 9-42683-00-0-2 |
| Vaporised brass | 3R (vaporised) | Vap. brass | 9-42683-00-0-3 |
| Brass colour | 3N (painted) | Brass col. | 9-42683-00-0-3N |
| Medium bronze | 4N (painted) | UC 3 | 9-42683-00-0-4 |
| Dark brown | 5X (coloured) | UC5 | 9-42683-00-0-5 |
| Clay brown | 54 (painted) | RAL 8003 | 9-42683-00-0-54 |
| Black | 6N (painted) | RAL 9005 | 9-42683-00-0-6 |
| Cream white | 7R (painted) | RAL 9001 | 9-42683-00-0-7R |
| Traffic white | 7X (coloured) | RAL 9016 | 9-42683-00-0-7 |
| Stainless-steel effect | 8X (painted) | Stainless-steel effect | 9-42683-00-0-8 |
| Light ivory | AN (painted) | RAL 1015 | 9-42683-00-0-AN |
| Light brown | AM (painted) | F4 light brown | 9-42683-00-0-AM |
| Titanium colour | CL (painted) | Titanium colour | 9-42683-00-0-C |
| Anthracite grey | DP (painted) | RAL 7016 | 9-42683-00-0-DP |

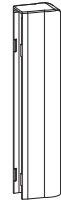


| Cover cap for pivot-rest D/130 and pivot-rest D/150 | | | |
|---|------------------|------------------------|-----------------|
| Colours | GU internal ref. | Info | Order number |
| Silver colour | 1N (painted) | EV1 | 9-37770-00-0-1 |
| Champagne | 2N (painted) | EV2 | 9-37770-00-0-2 |
| Vaporised brass | 3R (vaporised) | Vap. brass | 9-37770-00-0-3 |
| Brass colour | 3N (painted) | Brass col. | 9-37770-00-0-3N |
| Medium bronze | 4N (painted) | UC 3 | 9-37770-00-0-4 |
| Dark brown | 5X (coloured) | UC5 | 9-37770-00-0-5 |
| Clay brown | 54 (painted) | RAL 8003 | 9-37770-00-0-54 |
| Black | 6N (painted) | RAL 9005 | 9-37770-00-0-6 |
| Cream white | 7R (painted) | RAL 9001 | 9-37770-00-0-7R |
| Traffic white | 7X (coloured) | RAL 9016 | 9-37770-00-0-7 |
| Stainless-steel effect | 8X (painted) | Stainless-steel effect | 9-37770-00-0-8 |
| Light ivory | AN (painted) | RAL 1015 | 9-37770-00-0-AN |
| Light brown | AM (painted) | F4 light brown | 9-37770-00-0-AM |
| Titanium colour | CL (painted) | Titanium colour | 9-37770-00-0-C |
| Anthracite grey | DP (painted) | RAL 7016 | 9-37770-00-0-DP |

- Packaging: 100 pcs cover caps in cardboard box
- More colours are available on request

UNI-JET D – hinge-side accessories

Cover caps



| Cover cap for drill-in hinge | | | |
|------------------------------|------------------|------------------------|-----------------|
| Colours | GU internal ref. | Info | Order number |
| Silver colour | 1N (painted) | EV1 | 9-47783-01-0-1 |
| Champagne | 2N (painted) | EV2 | 9-47783-01-0-2 |
| Vaporised brass | 3R (vaporised) | Vap. brass | 9-47783-01-0-3 |
| Brass colour | 3N (painted) | Brass col. | 9-47783-01-0-3N |
| Medium bronze | 4N (painted) | UC 3 | 9-47783-01-0-4 |
| Dark brown | 5X (coloured) | UC5 | 9-47783-01-0-5 |
| Clay brown | 54 (painted) | RAL 8003 | 9-47783-01-0-54 |
| Black | 6N (painted) | RAL 9005 | 9-47783-01-0-6 |
| Cream white | 7R (painted) | RAL 9001 | 9-47783-01-0-7R |
| Traffic white | 7X (coloured) | RAL 9016 | 9-47783-01-0-7 |
| Stainless-steel effect | 8X (painted) | Stainless-steel effect | 9-47783-01-0-8 |
| Light ivory | AN (painted) | RAL 1015 | 9-47783-01-0-AN |
| Light brown | AM (painted) | F4 light brown | 9-47783-01-0-AM |
| Titanium colour | CL (painted) | Titanium colour | 9-47783-01-0-C |
| Anthracite grey | DP (painted) | RAL 7016 | 9-47783-01-0-DP |



| Cover cap for drill-in hinge with turn-brake | | | |
|--|------------------|------------------------|-----------------|
| Colours | GU internal ref. | Info | Order number |
| Silver colour | 1N (painted) | EV1 | 9-47782-01-0-1 |
| Champagne | 2N (painted) | EV2 | 9-47782-01-0-2 |
| Vaporised brass | 3R (vaporised) | Vap. brass | 9-47782-01-0-3 |
| Brass colour | 3N (painted) | Brass col. | 9-47782-01-0-3N |
| Medium bronze | 4N (painted) | UC 3 | 9-47782-01-0-4 |
| Dark brown | 5X (coloured) | UC5 | 9-47782-01-0-5 |
| Clay brown | 54 (painted) | RAL 8003 | 9-47782-01-0-54 |
| Black | 6N (painted) | RAL 9005 | 9-47782-01-0-6 |
| Cream white | 7R (painted) | RAL 9001 | 9-47782-01-0-7R |
| Traffic white | 7X (coloured) | RAL 9016 | 9-47782-01-0-7 |
| Stainless-steel effect | 8X (painted) | Stainless-steel effect | 9-47782-01-0-8 |
| Light ivory | AN (painted) | RAL 1015 | 9-47782-01-0-AN |
| Light brown | AM (painted) | F4 light brown | 9-47782-01-0-AM |
| Titanium colour | CL (painted) | Titanium colour | 9-47782-01-0-C |
| Anthracite grey | DP (painted) | RAL 7016 | 9-47782-01-0-DP |

- Packaging: 100 pcs cover caps in cardboard box
- More colours are available on request

UNI-JET D – hinge-side accessories

Caps



| Plug | | | |
|------------------------|------------------|------------------------|-----------------|
| Colours | GU internal ref. | Info | Order number |
| Silver colour | 1N (painted) | EV1 | 9-47426-00-0-1 |
| Champagne | 2N (painted) | EV2 | 9-47426-00-0-2 |
| Vaporised brass | 3R (vaporised) | Vap. brass | 9-47426-00-0-3 |
| Brass colour | 3N (painted) | Brass col. | 9-47426-00-0-3N |
| Medium bronze | 4N (painted) | UC 3 | 9-47426-00-0-4 |
| Dark brown | 5X (coloured) | UC5 | 9-47426-00-0-5 |
| Clay brown | 54 (painted) | RAL 8003 | 9-47426-00-0-54 |
| Black | 6N (painted) | RAL 9005 | 9-47426-00-0-6 |
| Cream white | 7R (painted) | RAL 9001 | 9-47426-00-0-7R |
| Traffic white | 7X (coloured) | RAL 9016 | 9-47426-00-0-7 |
| Stainless-steel effect | 8X (painted) | Stainless-steel effect | 9-47426-00-0-8 |
| Light ivory | AN (painted) | RAL 1015 | 9-47426-00-0-AN |
| Light brown | AM (painted) | F4 light brown | 9-47426-00-0-AM |
| Titanium colour | CL (painted) | Titanium colour | 9-47426-00-0-C |
| Anthracite grey | DP (painted) | RAL 7016 | 9-47426-00-0-DP |

- Packaging: 100 pcs cover caps in cardboard box
- More colours are available on request

UNI-JET D – hinge-side accessories

Cover caps



Cover cap for rebate corner-hinge/corner-drive rebate-hinge with turn-brake

| Colours | GU internal ref. | Info | Order number |
|------------------------|------------------|------------------------|-------------------|
| Silver colour | 1N (painted) | EV1 | 9-47782-00-L/R-1 |
| Champagne | 2N (painted) | EV2 | 9-47782-00-L/R-2 |
| Vaporised brass | 3R (vaporised) | Vap. brass | 9-47782-00-L/R-3 |
| Brass colour | 3N (painted) | Brass col. | 9-47782-00-L/R-3N |
| Medium bronze | 4N (painted) | UC 3 | 9-47782-00-L/R-4 |
| Dark brown | 5X (coloured) | UC5 | 9-47782-00-L/R-5 |
| Clay brown | 54 (painted) | RAL 8003 | 9-47782-00-L/R-54 |
| Black | 6N (painted) | RAL 9005 | 9-47782-00-L/R-6 |
| Cream white | 7R (painted) | RAL 9001 | 9-47782-00-L/R-7R |
| Traffic white | 7X (coloured) | RAL 9016 | 9-47782-00-L/R-7 |
| Stainless-steel effect | 8X (painted) | Stainless-steel effect | 9-47782-00-L/R-8 |
| Light ivory | AN (painted) | RAL 1015 | 9-47782-00-L/R-AN |
| Light brown | AM (painted) | F4 light brown | 9-47782-00-L/R-AM |
| Titanium colour | CL (painted) | Titanium colour | 9-47782-00-L/R-C |
| Anthracite grey | DP (painted) | RAL 7016 | 9-47782-00-L/R-DP |



Cover cap for rebate corner-hinge/corner-drive rebate-hinge without overlap screw-fixing, with turn-brake

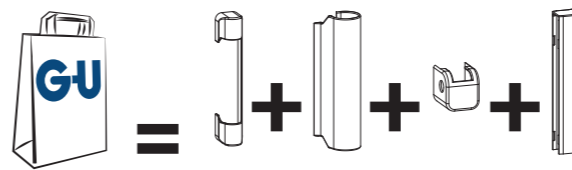
| Colours | GU internal ref. | Info | Order number |
|------------------------|------------------|------------------------|-------------------|
| Silver colour | 1N (painted) | EV1 | 9-40487-00-L/R-1 |
| Champagne | 2N (painted) | EV2 | 9-40487-00-L/R-2 |
| Vaporised brass | 3R (vaporised) | Vap. brass | 9-40487-00-L/R-3 |
| Brass colour | 3N (painted) | Brass col. | 9-40487-00-L/R-3N |
| Medium bronze | 4N (painted) | UC 3 | 9-40487-00-L/R-4 |
| Dark brown | 5X (coloured) | UC5 | 9-40487-00-L/R-5 |
| Clay brown | 54 (painted) | RAL 8003 | 9-40487-00-L/R-54 |
| Black | 6N (painted) | RAL 9005 | 9-40487-00-L/R-6 |
| Cream white | 7R (painted) | RAL 9001 | 9-40487-00-L/R-7R |
| Traffic white | 7X (coloured) | RAL 9016 | 9-40487-00-L/R-7 |
| Stainless-steel effect | 8X (painted) | Stainless-steel effect | 9-40487-00-L/R-8 |
| Light ivory | AN (painted) | RAL 1015 | 9-40487-00-L/R-AN |
| Light brown | AM (painted) | F4 light brown | 9-40487-00-L/R-AM |
| Titanium colour | CL (painted) | Titanium colour | 9-40487-00-L/R-C |
| Anthracite grey | DP (painted) | RAL 7016 | 9-40487-00-L/R-DP |

- Special hinge-side solution for PVC profiles where e.g. there is insufficient overlap height to attach standard rebate corner-hinges.
- This cover is equipped with a long nose piece covering the visible area between the overlap and rebate corner-hinge.
- Compatible with
 - rebate corner-hinge 6-37455-□□, 6-37456-□□ and
 - corner-drive rebate-hinge 6-39000-□□, 6-39001-□□

- Packaging: 100 pcs cover caps in cardboard box
- More colours are available on request

UNI-JET D – hinge-side accessories

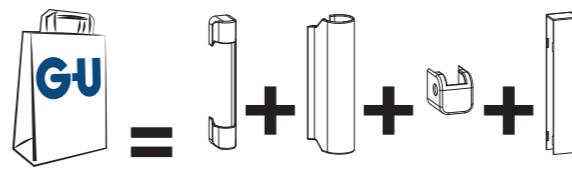
Cover caps



- 1 set of cover caps in poly-bag K-18675-00-0-* =
 - 1 pc 9-47334-01-0-* (stay-bearing)
 - 1 pc 9-47795-01-0-* (stay-hinge)
 - 1 pc 9-42683-00-0-* (pivot-rest New)
 - 1 pc 9-35461-00-0-* (pivot-rest Old)
 - 1 pc 9-47783-01-0-* (drill-in hinge w/o brake)

Cover caps set for drill-in hinge without turn-brake [1]

| Colours | GU internal ref. | Info | Order number |
|------------------------|------------------|------------------------|-------------------|
| Silver colour | 1N (painted) | EV1 | K-18675-00-L/R-1 |
| Champagne | 2N (painted) | EV2 | K-18675-00-L/R-2 |
| Vaporised brass | 3R (vaporised) | Vap. brass | K-18675-00-L/R-3 |
| Brass colour | 3N (painted) | Brass col. | K-18675-00-L/R-3N |
| Medium bronze | 4N (painted) | UC 3 | K-18675-00-L/R-4 |
| Dark brown | 5X (coloured) | UC5 | K-18675-00-L/R-5 |
| Clay brown | 54 (painted) | RAL 8003 | K-18675-00-L/R-54 |
| Black | 6N (painted) | RAL 9005 | K-18675-00-L/R-6N |
| Cream white | 7R (painted) | RAL 9001 | K-18675-00-L/R-7R |
| Traffic white | 7X (coloured) | RAL 9016 | K-18675-00-L/R-7 |
| Stainless-steel effect | 8X (painted) | Stainless-steel effect | K-18675-00-L/R-8X |
| Light ivory | AN (painted) | RAL 1015 | K-18675-00-L/R-AN |
| Light brown | AM (painted) | F4 light brown | K-18675-00-L/R-AM |
| Titanium colour | CL (painted) | Titanium colour | K-18675-00-L/R-C |
| Anthracite grey | DP (painted) | RAL 7016 | K-18675-00-L/R-DP |



- 1 set of cover caps in poly-bag K-18679-00-0-* =
 - 1 pc 9-47334-01-0-* (stay-bearing)
 - 1 pc 9-47795-01-0-* (stay-hinge)
 - 1 pc 9-42683-00-0-* (pivot-rest New)
 - 1 pc 9-35461-00-0-* (pivot-rest Old)
 - 1 pc 9-47782-01-0-* (drill-in hinge w/o brake)

Cover caps set for drill-in hinge with turn-brake [1]

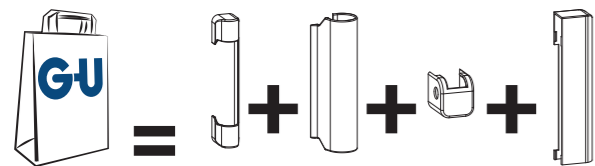
| Colours | GU internal ref. | Info | Order number |
|------------------------|------------------|------------------------|-------------------|
| Silver colour | 1N (painted) | EV1 | K-18679-00-L/R-1 |
| Champagne | 2N (painted) | EV2 | K-18679-00-L/R-2 |
| Vaporised brass | 3R (vaporised) | Vap. brass | K-18679-00-L/R-3 |
| Brass colour | 3N (painted) | Brass col. | K-18679-00-L/R-3N |
| Medium bronze | 4N (painted) | UC 3 | K-18679-00-L/R-4 |
| Dark brown | 5X (coloured) | UC5 | K-18679-00-L/R-5 |
| Clay brown | 54 (painted) | RAL 8003 | K-18679-00-L/R-54 |
| Black | 6N (painted) | RAL 9005 | K-18679-00-L/R-6N |
| Cream white | 7R (painted) | RAL 9001 | K-18679-00-L/R-7R |
| Traffic white | 7X (coloured) | RAL 9016 | K-18679-00-L/R-7 |
| Stainless-steel effect | 8X (painted) | Stainless-steel effect | K-18679-00-L/R-8X |
| Light ivory | AN (painted) | RAL 1015 | K-18679-00-L/R-AN |
| Light brown | AM (painted) | F4 light brown | K-18679-00-L/R-AM |
| Titanium colour | CL (painted) | Titanium colour | K-18679-00-L/R-C |
| Anthracite grey | DP (painted) | RAL 7016 | K-18679-00-L/R-DP |

- Packaging: 1 set of cover caps in poly-bag. 100 pcs poly-bag in cardboard box.
- More colours are available on request.

[1] Pivot-rest cover-caps are provided in each new poly-bag because the old and new pivot-rests are compatible with the new corner-hinges (please dispose of the cover-cap that is not required).

UNI-JET D – hinge-side accessories

Cover caps



- 1 set of cover caps in poly-bag K-18678-00-L/R-* =
- 1 pc 9-47334-01-0-* (stay-bearing)
- 1 pc 9-47795-01-0-* (stay-hinge)
- 1 pc 9-42683-00-0-* (pivot-rest New)
- 1 pc 9-35461-00-0-* (pivot-rest Old)
- 1 pc 9-47782-00-L/R-* (rebate corner-hinge)



Cover caps set for rebate corner-hinge with and without turn-brake [1]

| Colours | GU internal ref. | Info | Order number |
|------------------------|------------------|------------------------|-------------------|
| Silver colour | 1N (painted) | EV1 | K-18678-00-L/R-1 |
| Champagne | 2N (painted) | EV2 | K-18678-00-L/R-2 |
| Vaporised brass | 3R (vaporised) | Vap. brass | K-18678-00-L/R-3 |
| Brass colour | 3N (painted) | Brass col. | K-18678-00-L/R-3N |
| Medium bronze | 4N (painted) | UC 3 | K-18678-00-L/R-4 |
| Dark brown | 5X (coloured) | UC5 | K-18678-00-L/R-5 |
| Clay brown | 54 (painted) | RAL 8003 | K-18678-00-L/R-54 |
| Black | 6N (painted) | RAL 9005 | K-18678-00-L/R-6N |
| Cream white | 7R (painted) | RAL 9001 | K-18678-00-L/R-7R |
| Traffic white | 7X (coloured) | RAL 9016 | K-18678-00-L/R-7 |
| Stainless-steel effect | 8X (painted) | Stainless-steel effect | K-18678-00-L/R-8X |
| Light ivory | AN (painted) | RAL 1015 | K-18678-00-L/R-AN |
| Light brown | AM (painted) | F4 light brown | K-18678-00-L/R-AM |
| Titanium colour | CL (painted) | Titanium colour | K-18678-00-L/R-C |
| Anthracite grey | DP (painted) | RAL 7016 | K-18678-00-L/R-DP |

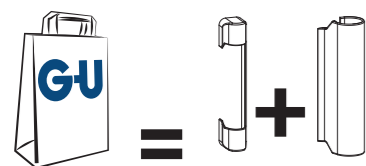
Table of contents



3.2 Concealed hinge-side for PVC windows

UNI-JET SCF

| | |
|---|-----|
| Tilt&Turn / Tilt-First sash – up to max. 130 kg sash weight – without load-absorption set | 232 |
| Turn-Only sash – up to max. 130 kg sash weight – without load-absorption set | 234 |
| Load-absorption set – up to max. 160 kg sash weight | 236 |
| Tilt-Only sash – up to max. 80 kg sash weight | 238 |
| Top-Hung sash – up to max. 80 kg sash weight | 240 |
| 3-sashed elements – up to max. 80 kg sash weight | 242 |



- 1 set of cover caps in poly-bag K-18680-00-0-* =
- 1 pc 9-47334-01-0-* (stay-bearing)
- 1 pc 9-47795-01-0-* (stay-hinge)

Cover caps set for Turn-Only centre rebate-hinge

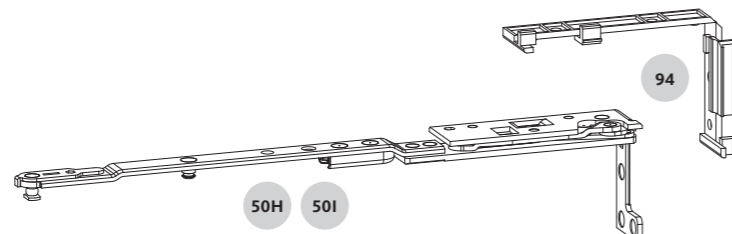
| Colours | GU internal ref. | Info | Order number |
|------------------------|------------------|------------------------|-------------------|
| Silver colour | 1N (painted) | EV1 | K-18680-00-L/R-1 |
| Champagne | 2N (painted) | EV2 | K-18680-00-L/R-2 |
| Vaporised brass | 3R (vaporised) | Vap. brass | K-18680-00-L/R-3 |
| Brass colour | 3N (painted) | Brass col. | K-18680-00-L/R-3N |
| Medium bronze | 4N (painted) | UC 3 | K-18680-00-L/R-4 |
| Dark brown | 5X (coloured) | UC5 | K-18680-00-L/R-5 |
| Clay brown | 54 (painted) | RAL 8003 | K-18680-00-L/R-54 |
| Black | 6N (painted) | RAL 9005 | K-18680-00-L/R-6N |
| Cream white | 7R (painted) | RAL 9001 | K-18680-00-L/R-7R |
| Traffic white | 7X (coloured) | RAL 9016 | K-18680-00-L/R-7 |
| Stainless-steel effect | 8X (painted) | Stainless-steel effect | K-18680-00-L/R-8X |
| Light ivory | AN (painted) | RAL 1015 | K-18680-00-L/R-AN |
| Light brown | AM (painted) | F4 light brown | K-18680-00-L/R-AM |
| Titanium colour | CL (painted) | Titanium colour | K-18680-00-L/R-C |
| Anthracite grey | DP (painted) | RAL 7016 | K-18680-00-L/R-DP |

- Packaging: 1 set of cover caps in poly-bag. 100 pcs poly-bag in cardboard box.
- More colours are available on request.

[1] Pivot-rest cover-caps are provided in each new poly-bag because the old and new pivot-rests are compatible with the new corner-hinges (please dispose of the cover-cap that is not required).

UNI-JET SCF – Tilt&Turn / Tilt-First sash

Max. sash weight 130 kg – without load-absorption set



UNI-JET SCF – Tilt&Turn / Tilt-First sash

Max. sash weight 130 kg – without load-absorption set

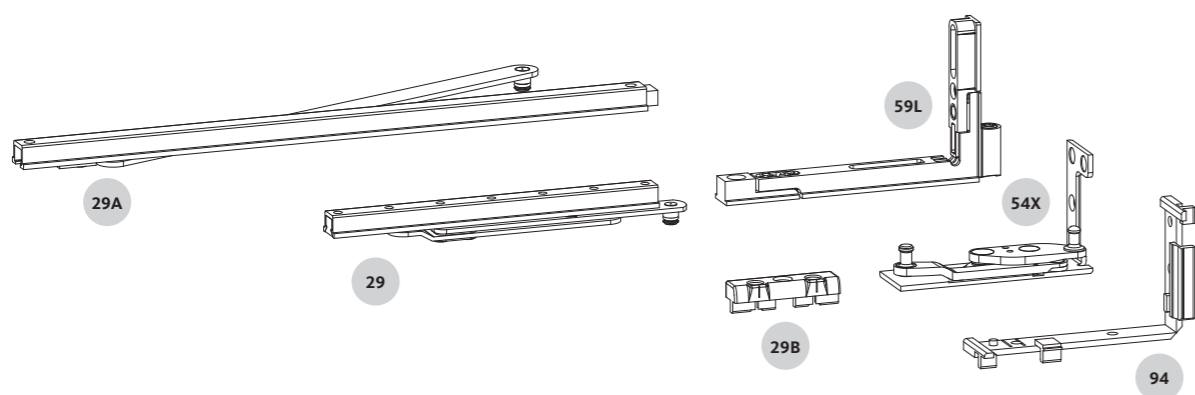


Upper hinge-side

| Tilt&Turn stay-arm, AX 9 mm | | | | |
|-------------------------------|---|--------|-----|------------------|
| Item | SRW | Length | PU | Order number |
| 50H | 390-750 | 320 | 10 | 6-37017-31-L/R-1 |
| | 751-1400 | 450 | | 6-37017-46-L/R-1 |
| Tilt&Turn stay-arm, AX 13 mm | | | | |
| 50H | 390-750 | 320 | 10 | 6-37018-31-L/R-1 |
| | 751-1400 | 450 | | 6-37018-46-L/R-1 |
| Tilt-First stay-arm, AX 9 mm | | | | |
| 50I | 390-750 | 320 | 10 | 6-37019-31-L/R-1 |
| | 751-1400 | 450 | | 6-37019-46-L/R-1 |
| Tilt-First stay-arm, AX 13 mm | | | | |
| 50I | 390-750 | 320 | 10 | 6-37020-31-L/R-1 |
| | 751-1400 | 450 | | 6-37020-46-L/R-1 |
| Profile-specific packer | | | | |
| Item | | | PU | Order number |
| 94 | Profile-specific frame components, see page 245 onwards | | 100 | 9-49604-□□-L/R-1 |

Lower hinge-side

| Corner-hinge, AX 9 mm | | | | |
|-------------------------------|---|--------|-----|------------------|
| Item | SRW | Length | PU | Order number |
| 59L | 390-1400 | 130 | 50 | 6-34096-09-L/R-1 |
| Corner-hinge, AX 13 mm | | | | |
| 59L | 390-1400 | 130 | 50 | 6-34096-13-L/R-1 |
| Pivot-rest, AX 9 mm and 13 mm | | | | |
| Item | SRW | Length | PU | Order number |
| 54X | 390-1400 | 130 | 50 | 6-36031-00-L/R-1 |
| Turn restrictor | | | | |
| Item | SRW | Length | PU | Order number |
| 29 | 650-1400 | 180 | 10 | 6-39007-00-0-1 |
| Turn restrictor with brake | | | | |
| Item | SRW | Length | PU | Order number |
| 29A | 800-1400 | 325 | 10 | 6-34886-00-0-1 |
| Connecting piece | | | | |
| Item | | | PU | Order number |
| 29B | Profile system-dependent | | 100 | 9-45170-00-0-1 |
| Profile-specific packer | | | | |
| Item | | | PU | Order number |
| 94 | Profile-specific frame components, see page 245 onwards | | 100 | 9-49604-□□-L/R-1 |



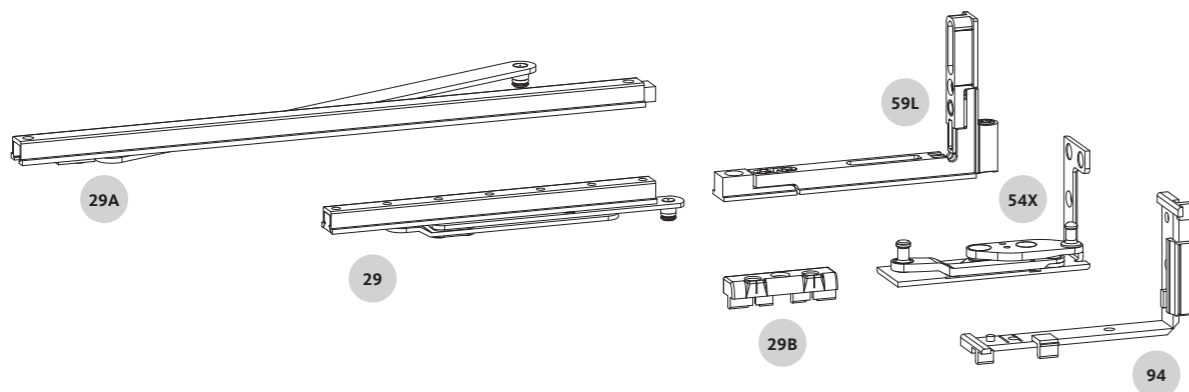
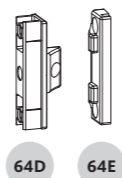
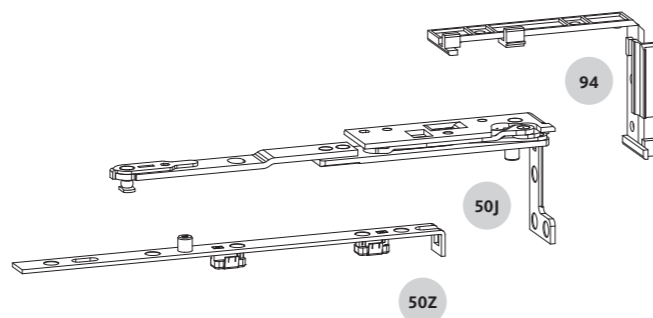
Tested hardware load-bearing capacity

- Max. 130 kg see application diagram 0-47359
- Installation drawing 0-47360 for central locking system
- Installation drawing 0-47107 for hinge-side
- Installation drawing 0-47357 for profile-specific hinge-side
- Instructions on how to hinge and unhinge the sash 0-47477

- Use galvanised screw DIN 7050 – ST 4.2 x 38 to fix the pivot-rest and stay-arm. The screw must reach into the steel reinforcement.
- The attachment of pivot-rest and stay-arm on profile systems without steel reinforcement is profile-related and illustrated on a separate drawing (see drawing number 0-47357).

UNI-JET SCF – Turn-Only sash

Max. sash weight 130 kg without load-absorption set



Tested hardware load-bearing capacity

- Max. 130 kg see application diagram 0-47359
- Installation drawing 0-47360 for central locking system
- Installation drawing 0-47107 for hinge-side
- Installation drawing 0-47357 for profile-specific hinge-side
- Instructions on how to hinge and unhinge the sash 0-47477

UNI-JET SCF – Turn-Only sash

Max. sash weight 130 kg without load-absorption set



Upper hinge-side

| Turn-Only stay-guide | | | | |
|----------------------|----------|--------|----|----------------|
| Item | SRW | Length | PU | Order number |
| 50Z | 390-1400 | 250 | 10 | 6-39075-01-0-1 |

| Stay-arm, AX 9 mm | | | | |
|-------------------|----------|--------|----|------------------|
| Item | SRW | Length | PU | Order number |
| 50J | 390-1400 | 320 | 10 | 6-37021-09-L/R-1 |

| Stay-arm, AX 13 mm | | | | |
|--------------------|----------|--------|----|------------------|
| Item | SRW | Length | PU | Order number |
| 50J | 390-1400 | 320 | 10 | 6-37021-13-L/R-1 |

| Profile-specific packer | | | | |
|-------------------------|---|--|-----|------------------|
| Item | | | PU | Order number |
| 94 | Profile-specific frame components, see page 245 onwards | | 100 | 9-49604-□□-L/R-1 |

Centre hinge-side

| Centre-closer, sash part (adjustable) | | | |
|---------------------------------------|--|-----|----------------|
| Item | | PU | Order number |
| 64D | | 100 | 6-34229-00-0-1 |

| Centre-closer, frame part | | | |
|---------------------------|---|-----|------------------|
| Item | | PU | Order number |
| 64E | Profile-specific frame components, see page 245 onwards | 100 | profile-specific |

Lower hinge-side

| Corner-hinge, AX 9 mm | | | | |
|-----------------------|----------|--------|----|------------------|
| Item | SRW | Length | PU | Order number |
| 59L | 390-1400 | 130 | 50 | 6-34096-09-L/R-1 |

| Corner-hinge, AX 13 mm | | | | |
|------------------------|----------|--------|----|------------------|
| Item | SRW | Length | PU | Order number |
| 59L | 390-1400 | 130 | 50 | 6-34096-13-L/R-1 |

| Pivot-rest, AX 9 mm and 13 mm | | | | |
|-------------------------------|----------|--------|----|------------------|
| Item | SRW | Length | PU | Order number |
| 54X | 390-1400 | 130 | 50 | 6-36031-00-L/R-1 |

| Turn restrictor | | | | |
|-----------------|----------|--------|----|----------------|
| Item | SRW | Length | PU | Order number |
| 29 | 650-1400 | 180 | 10 | 6-39007-00-0-1 |

| Turn restrictor with brake | | | | |
|----------------------------|----------|--------|----|----------------|
| Item | SRW | Length | PU | Order number |
| 29A | 800-1400 | 325 | 10 | 6-34886-00-0-1 |

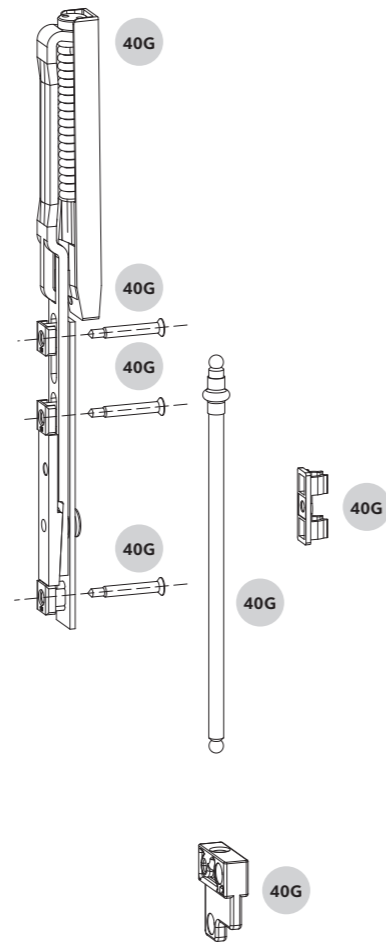
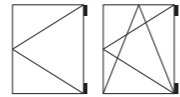
| Connecting piece | | | | |
|------------------|--------------------------|--|-----|----------------|
| Item | | | PU | Order number |
| 29B | Profile system-dependent | | 100 | 9-45170-00-0-1 |

| Profile-specific packer | | | | |
|-------------------------|---|--|-----|------------------|
| Item | | | PU | Order number |
| 94 | Profile-specific frame components, see page 245 onwards | | 100 | 9-49604-□□-L/R-1 |

- Use galvanised screw DIN 7050 – ST 4.2 x 38 to fix the pivot-rest and stay-arm. The screw must reach into the steel reinforcement.
- The attachment of pivot-rest and stay-arm on profile systems without steel reinforcement is profile-related and illustrated on a separate drawing (see drawing number 0-47357).
- Number of centre-closers for:
SRH 721-1350 = 1 piece(s)
SRH 1351-2100 = 2 piece(s)
SRH 2101-2800 = 3 piece(s)
The centre-closers must be positioned at regular intervals over the entire SRH.
- Use spacer blocks between glazing and sash rebate in area of centre-closer in order to prevent the sash profile from bending towards the glazing.
- The centre-closer is designed to ensure adequate gasket pressure and not to compensate for lacking tightness arising from a warped window unit. In such a case it is necessary to use the corresponding Tilt&Turn hardware components (with lift stop to restrict the handle rotation to 90°).

UNI-JET SCF – load-absorption set

Max. sash weight 160 kg



Tested hardware load-bearing capacity

- Max. 160 kg see application diagram 0-47177
- Installation drawing 0-47426 for hinge-side
- Installation instructions for load-absorption set 0-47493

UNI-JET SCF – load-absorption set

Max. sash weight 160 kg



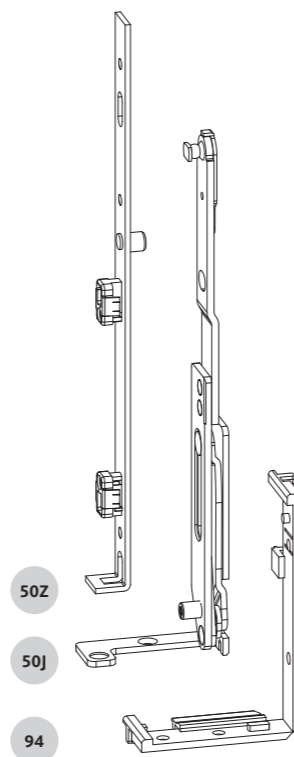
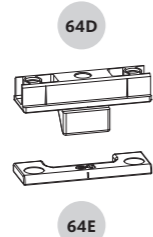
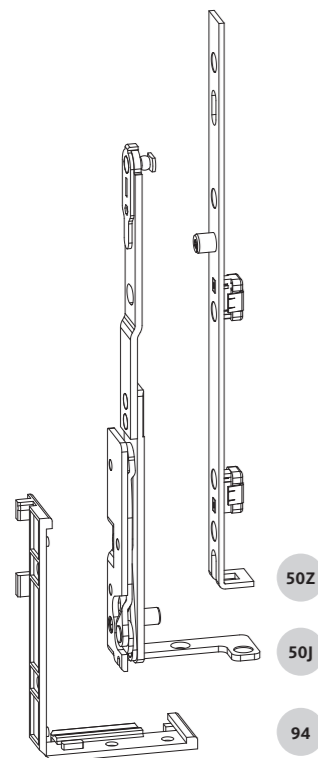
Lower hinge-side

| Load-absorption set | | | | |
|---------------------|-----------|----------|----|----------------|
| Item | SRH | SRW | PU | Order number |
| 40G | 1000-2800 | 500-1400 | 1 | K-19261-02-0-1 |

- Min. sash weight 100 kg
- Max. sash weight 160 kg

UNI-JET SCF – Tilt-Only sash

Max. sash weight 80 kg



UNI-JET SCF – Tilt-Only sash

Max. sash weight 80 kg



Lower hinge-side

| Turn-Only stay-guide | | | | |
|----------------------|----------|--------|----|----------------|
| Item | SRH | Length | PU | Order number |
| 50Z | 435-1200 | 250 | 10 | 6-39075-01-0-1 |

| Stay-arm, AX 9 mm | | | | |
|-------------------|----------|--------|----|------------------|
| Item | SRH | Length | PU | Order number |
| 50J | 435-1200 | 320 | 10 | 6-37021-09-L/R-1 |

| Stay-arm, AX 13 mm | | | | |
|--------------------|----------|--------|----|------------------|
| Item | SRH | Length | PU | Order number |
| 50J | 435-1200 | 320 | 10 | 6-37021-13-L/R-1 |

| Profile-specific packer | | | |
|-------------------------|---|-----|------------------|
| Item | | PU | Order number |
| 94 | Profile-specific frame components, see page 245 onwards | 100 | 9-49604-□□-L/R-1 |

| Centre-closer, sash part (adjustable) | | | |
|---------------------------------------|--|-----|----------------|
| Item | | PU | Order number |
| 64D | | 100 | 6-34229-00-0-1 |

| Centre-closer, frame part | | | |
|---------------------------|---|-----|------------------|
| Item | | PU | Order number |
| 64E | Profile-specific frame components, see page 245 onwards | 100 | profile-specific |

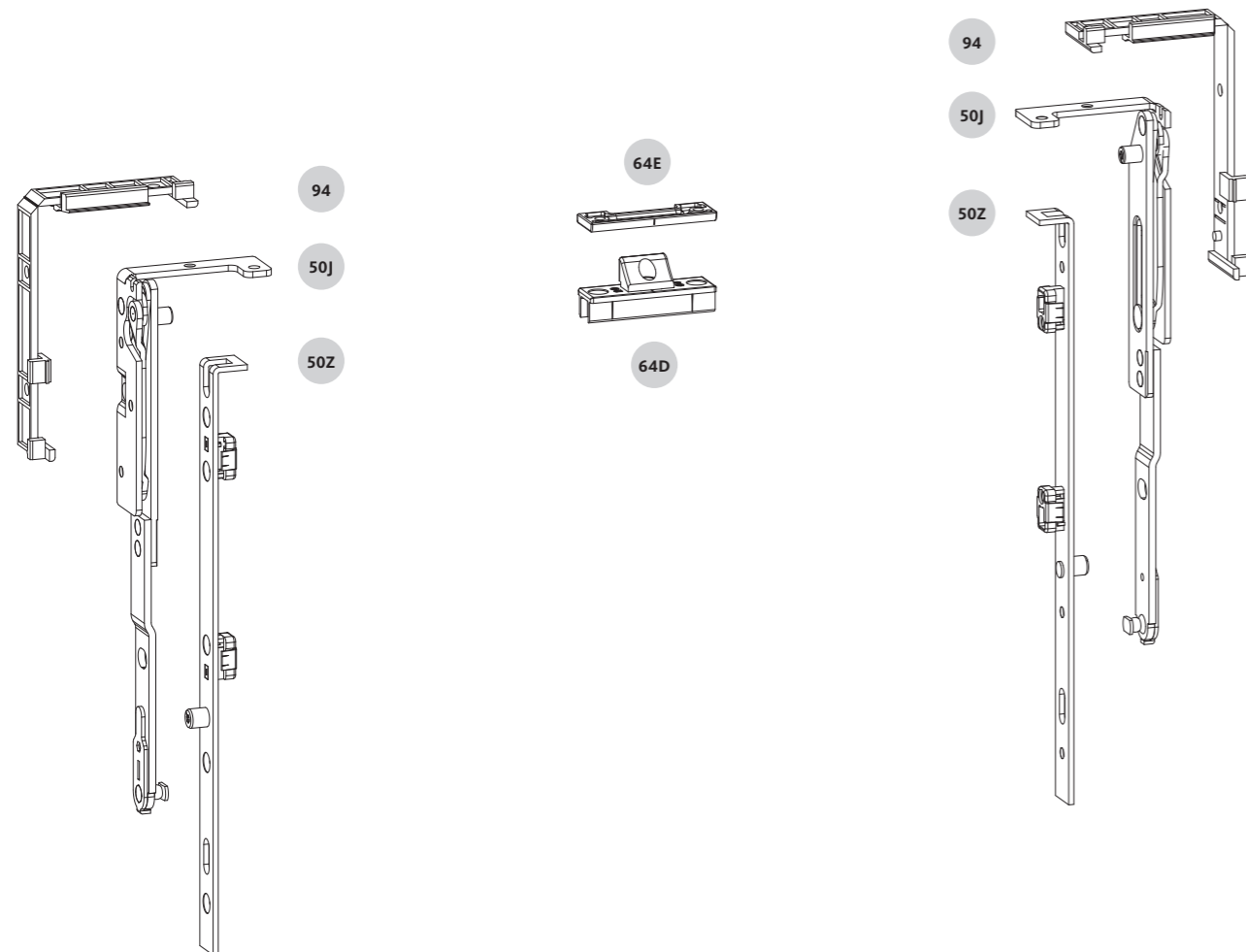
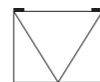
Tested hardware load-bearing capacity

- Max. 80 kg see application diagram 0-47362
- Installation drawing 0-47362 for hinge-side and central locking system

- Number of centre-closers for:
SRW 800-1450 = 1 piece(s)
SRW 1451-2400 = 2 piece(s)
The centre-closers must be positioned at regular intervals over the entire SRW.
- Use galvanised screw DIN 7050 – ST 4.2 x 38 to fix the pivot-rest and stay-arm. The screw must reach into the steel reinforcement.
- The attachment of pivot-rest and stay-arm on profile systems without steel reinforcement is profile-related and illustrated on a separate drawing (see drawing number 0-47357).

UNI-JET SCF – Top-Hung sash

Max. sash weight 80 kg



Tested hardware load-bearing capacity

- Max. 80 kg
- Installation drawing 0-47361 for hinge-side

UNI-JET SCF – Top-Hung sash

Max. sash weight 80 kg



Upper hinge-side

| Turn-Only stay-guide | | | | |
|----------------------|----------|--------|----|----------------|
| Item | SRH | Length | PU | Order number |
| 50Z | 435-1200 | 250 | 10 | 6-39075-01-0-1 |

| Stay-arm, AX 9 mm | | | | |
|-------------------|----------|--------|----|------------------|
| Item | SRH | Length | PU | Order number |
| 50J | 435-1200 | 320 | 10 | 6-37021-09-L/R-1 |

| Stay-arm, AX 13 mm | | | | |
|--------------------|----------|--------|----|------------------|
| Item | SRH | Length | PU | Order number |
| 50J | 435-1200 | 320 | 10 | 6-37021-13-L/R-1 |

| Profile-specific packer | | | |
|-------------------------|---|-----|------------------|
| Item | | PU | Order number |
| 94 | Profile-specific frame components, see page 245 onwards | 100 | 9-49604-□□-L/R-1 |

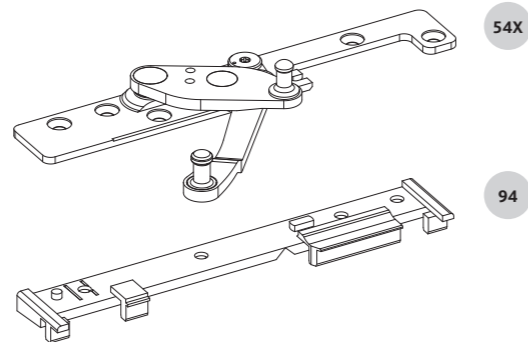
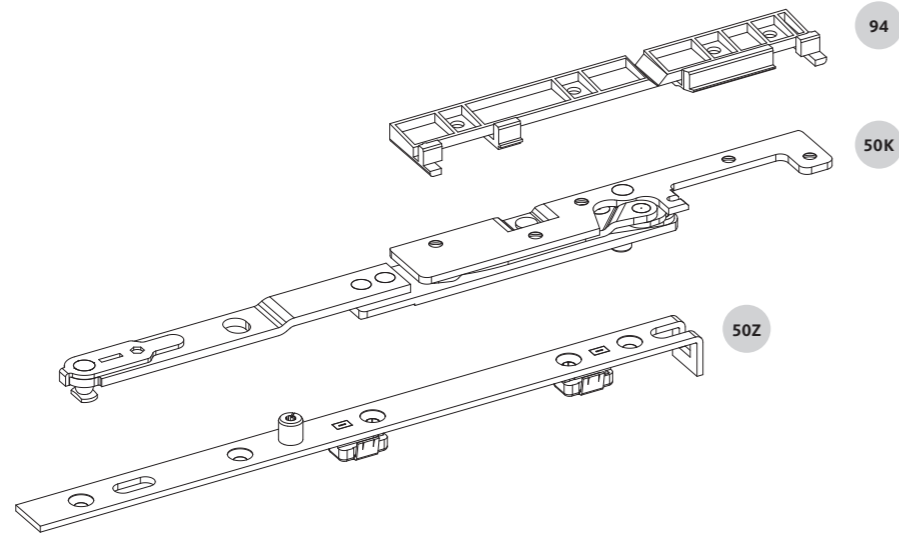
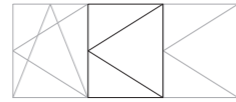
| Centre-closer, sash part (adjustable) | | | |
|---------------------------------------|--|-----|----------------|
| Item | | PU | Order number |
| 64D | | 100 | 6-34229-00-0-1 |

| Centre-closer, frame part | | | |
|---------------------------|---|-----|------------------|
| Item | | PU | Order number |
| 64E | Profile-specific frame components, see page 245 onwards | 100 | profile-specific |

- Number of centre-closers for:
SRW 800-1450 = 1 piece(s)
SRW 1451-2400 = 2 piece(s)
The centre-closers must be positioned at regular intervals over the entire SRW.
- Use galvanised screw DIN 7050 – ST 4.2 x 38 to fix the pivot-rest and stay-arm. The screw must reach into the steel reinforcement.
- The attachment of pivot-rest and stay-arm on profile systems without steel reinforcement is profile-related and illustrated on a separate drawing (see drawing number 0-47357).

UNI-JET SCF – 3-sashed windows

Max. sash weight 80 kg



Tested hardware load-bearing capacity

- Max. 80 kg
- Installation drawing 0-47363 for hinge-side and central locking system

UNI-JET SCF – 3-sashed windows

Max. sash weight 80 kg



Upper hinge-side

| Turn-Only stay-guide | | | | |
|----------------------|--------------|--------|----|----------------|
| Item | SRW | Length | PU | Order number |
| 50Z | 370-1400 [1] | 250 | 10 | 6-39075-01-0-1 |

| Stay-arm, AX 9 mm | | | | |
|-------------------|--------------|--------|----|------------------|
| Item | SRW | Length | PU | Order number |
| 50K | 370-1400 [1] | 320 | 10 | 6-38486-09-L/R-1 |

| Stay-arm, AX 13 mm | | | | |
|--------------------|--------------|--------|----|------------------|
| Item | SRW | Length | PU | Order number |
| 50K | 370-1400 [1] | 320 | 10 | 6-38486-13-L/R-1 |

| Profile-specific packer [2] | | | | |
|-----------------------------|---|--|-----|------------------|
| Item | | | PU | Order number |
| 94 | Profile-specific frame components, see page 245 onwards | | 100 | 9-49604-□□-L/R-1 |

Lower hinge-side

| Pivot-rest, AX 9 mm and 13 mm | | | | |
|-------------------------------|----------|--------|----|------------------|
| Item | SRW | Length | PU | Order number |
| 54X | 370-1400 | 130 | 50 | 6-36031-10-L/R-1 |

| Profile-specific packer [2] | | | | |
|-----------------------------|---|--|-----|------------------|
| Item | | | PU | Order number |
| 94 | Profile-specific frame components, see page 245 onwards | | 100 | 9-49604-□□-L/R-1 |

[1] SRW min. 370 mm when installing centre-lock 116 (6-24062-00-0-1). SRW min. 250 mm without centre-lock.

[2] Packer must be cropped by 5 mm. See installation drawing 0-47363.

■ Use galvanised screw DIN 7050 – ST 4.2 x 38 to fix the pivot-rest and stay-arm. The screw must reach into the steel reinforcement.

■ The attachment of pivot-rest and stay-arm on profile systems without steel reinforcement is profile-related and illustrated on a separate drawing (see drawing number 0-47357).



3.3 Profile-specific frame components for PVC windows

Frame components for PVC windows (basic security)

| | |
|--|-----|
| for 1-sashed windows and balcony-doors | 246 |
| for 2-sashed windows and balcony-doors without mullion | 252 |

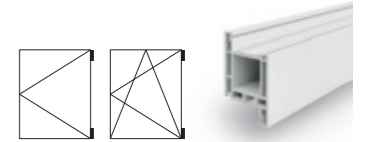
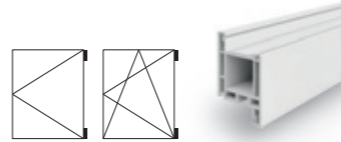
Frame components for PVC windows (RC security)

| | |
|---|-----|
| for 1-sashed windows and balcony-doors, burglar-inhibiting version RC1N / RC2N / RC2 | 257 |
|---|-----|

Frame components for PVC windows

For 1-sashed windows and balcony-doors

Basic security

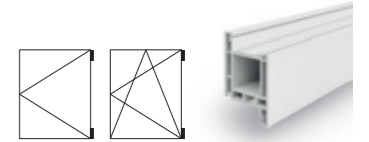
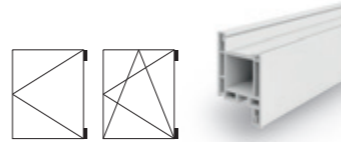


| Profile system | Sash profile | Frame profile | Dummy-mullion profile | Groove position mm | Overlap mm/° | Standard striker (zamak) PU = 100 | Zamak Sec striker PU = 100 | T&T striker PU = 100 | Tilt-First striker PU = 100 | Integrated night vent striker PU = 100 | Bullet-catches PU = 10, 100 | Packer PU = 100 | Run-up block, sash lifter with M.D. PU = 100 | Centre-closer Frame part PU = 100 | SCF centre-closer Frame part A: 9-38156-00-0-1 B: 9-47351-11-0-1 C: 9-41959-00-0-1 D: 9-39407-00-0-1 PU = 100 | SCF packer 9-49604-□□-L/R-1 PU = 100 |
|---------------------------|--------------|---------------|-----------------------|--------------------|--------------|-----------------------------------|----------------------------|----------------------|-----------------------------|--|-----------------------------|-----------------|--|-----------------------------------|---|--------------------------------------|
| Accord | | | | | | | | | | | | | | | | |
| Accord Contour 7.0 MD | A,FL 02 | A,RA 01 | A,ST 01 | 13.0 | 20/0° | 9-38620-00-0-1 | 9-39847-00-0-1 | 6-27831-05-0-1 | 6-32668-00-0-1 | 9-43533-00-0-1 | K-17118-00-0-1 | | 9-40472-00-0-1 | 9-40866-00-0-1 | | |
| Acome | | | | | | | | | | | | | | | | |
| Acome Crescendo | | | | 13.0 | -/- | | | G-22299-29-0-1 | 6-32668-00-0-1 | | | | | | | |
| Actual | | | | | | | | | | | | | | | | |
| Actual A 600 | | | | 13.0 | -/0° | 9-39614-00-0-1 | | 6-27831-26-0-1 | 6-32668-00-0-1 | | | | | | | |
| Alphacan | | | | | | | | | | | | | | | | |
| Alphacan Alpha 70-80 | 63 720 | 62 700 | | 13.0 | 20/0° | 9-42972-00-0-1 | 9-42586-00-0-1 | 6-27831-06-0-1 | | 9-43533-00-0-1 | K-17118-00-0-1 | | 9-40465-00-0-1 | 9-40866-00-0-1 | A | 17 |
| Alphacan Class | MB 00 G | MT 00 B | MS 75 B | 13.0 | 20/0° | 9-41977-00-0-1 | | 6-27831-46-0-1 | | | | | | 9-40565-12-0-1 | | |
| Alphacan Esthea | 53-05 | 53-45 | | 12.9 | 20/0° | E-18104-00-0-1 | | G-22299-14-0-1 | | | | | | | A | 16 |
| Alphacan Fersina Diplomat | ZOMI | ELMI | DUEB | 9.1 | 21/0° | 9-36886-00-0-1 | | 6-27674-30-0-1 | 6-32668-00-0-1 | | | | 9-40460-00-0-1 | 9-40871-01-0-1 | | |
| Alphacan Fersina Master | ZOM | ELA | TAO 00 | 9.4 | 21.7/0° | | 9-42580-00-0-1 | 6-27674-31-0-1 | | | | | | | | |
| Alphacan Profilvia 600 | PF 096 | PF 090 | | 9.0 | 20/0° | 9-30146-06-0-1 | | 6-27674-07-0-1 | | | | | | | | |
| Alphacan Profilvia MD 600 | PE 611 | PE 602 | | 13.0 | 20/0° | 9-38115-00-0-1 | 9-42581-00-0-1 | 6-27831-10-0-1 | | | | | 9-40461-00-0-1 | 9-40565-05-0-1 | | |
| Aluplast | | | | | | | | | | | | | | | | |
| Aluplast energeto 4000 | 140086 | 40007 | | | 19/0° | 9-38218-00-0-1 | | 6-27831-08-0-1 | 9-44889-02-0-1 | 9-43469-00-0-1 | K-17139-00-0-1 | | 9-40065-00-0-1 | | A | 24 |
| Aluplast energeto 5000 | 50083 | 50003 | | | 24/0° | 9-38218-00-0-1 | | | 6-35779-05-9 | | | | | | | 01 |
| Aluplast energeto 8000 | 80086 | 80005 | | | 20/5° | 9-34907-00-0-1 | 9-39847-00-0-1 | 6-27831-05-0-1 | | | K-17118-00-0-1 | | | 9-40866-00-0-1 | | 02 |
| Aluplast Ideal 1000 | 100x22 | 100x01 | 120205 | 13.0 | | | | | | | K-17747-00-0-1 | | | | | |
| Aluplast Ideal 2000 | 120022 | 120002 | 120204 | | | | | | | | | | | | | |
| Aluplast Ideal 4000 | 140025 | 140002 | 140066 | | | | | | | | | | | | | |
| Aluplast Ideal 5000 | 150025 | 150002 | 140250 | | | | | | | | | | | | | |
| Aluplast Ideal 6000 | | 160003 | | | | 9-38218-00-0-1 | 9-41531-00-0-1 | 6-27831-08-0-1 | 6-32668-00-0-1 | 9-43469-00-0-1 | K-17139-00-0-1 | | 9-40066-00-0-1 | | A | |
| Aluplast Ideal 7000 | 170007 | 140020 | | | | | | | | | | | | | | |
| Aluplast Ideal 8000 | 180x83 | 180x03 | | | | | | | | | | | | | | |
| Aluplast Signum 21 | 70 | 71 | 4143 | 9.0 | | 9-30146-04-0-1 | | 6-27674-17-0-1 | | | | | | | | |
| Aluplast Signum 25 | 2539 | 2534 | 2550 | | | 9-35770-00-0-1 | | 6-27831-02-0-1 | | | | | 9-40463-00-0-1 | 9-40565-07-0-1 | | |
| Aluplast Signum 26 | 2610 | 2601 | 2630 | 13.0 | | 9-34907-00-0-1 | | 6-27831-48-0-1 | | | | | | 9-40565-10-0-1 | | |
| Asaspen | | | | | | | | | | | | | | | | |
| Asaspen 70 mm | 7053 | 7052 | 7059 | 13.0 | 20/0° | 9-42972-00-0-1 | 9-42586-00-0-1 | 6-27831-06-0-1 | 6-32668-00-0-1 | 9-43533-00-0-1 | K-17118-00-0-1 | | 9-40465-00-0-1 | 9-40866-00-0-1 | B | |
| Atrya | | | | | | | | | | | | | | | | |
| Atrya (Tryba) E 58 | Z 74 | L 65 | T 32 | 9.0 | | E-16069-00-0-1 | | 6-27674-22-0-1 | | | | | | | | |
| Atrya (Tryba) T 58 | Z 76 J | L 66/3J | | 13.0 | 20/5° | E-18949-00-0-1 | | 6-27831-06-0-1 | 6-32668-00-0-1 | 9-43537-00-0-1 | K-17747-00-0-1 | | 9-40465-00-0-1 | | A | 17 |
| Atrya (Tryba) T 58/3 | Z 76/3J | L 66/3J | | 13.1 | | | | | | | | | | | | |
| Brüggmann | | | | | | | | | | | | | | | | |
| Brüggmann AD | HP 152 | HP 102 | HP 350 | 13.0 | 20/0° | 9-34907-00-0-1 | 9-39847-00-0-1 | 6-27831-05-0-1 | 6-32668-00-0-1 | 9-43533-00-0-1 | K-17747-00-0-1 | | 9-40465-00-0-1 | 9-40565-02-0-1 | A | |
| Brüggmann MD | HP 252 | HP 202 | HP 451 | | | | | | | | | | | | | |
| Deceuninck | | | | | | | | | | | | | | | | |
| Deceuninck 1800 | P1807 | P 1801 | P400 | 8.7 | 21/0° | 9-36544-00-0-1 | | 6-27674-14-0-1 | | | | | | | C | |
| Deceuninck Mondial | P 2021 | P 2000 | P2040 | | 21/0° | 9-35737-00-0-1 | 9-42583-00-0-1 | 6-27831-31-0-1 | 6-32668-00-0-1 | 9-43533-00-0-1 | K-17044-00-0-1 | 9-30084-00-0-1 | 9-40475-00-0-1 | 9-40565-03-0-1 | A | 11 |
| Deceuninck Mondial | P 2105 | P 2100 | P 2040 | 13.0 | 21/0° | | | | | | | E-18310-00-0-1 | | | | 11 |
| Deceuninck Zendow | 3052 | 3001 | 3077 | | 20/5° | | | | | | | | | | | |
| Deceuninck Zendow Upgrade | 4040 | 4000 | 4031 | | 20/5° | 9-35508-00-0-1 | 9-41825-00-0-1 | 6-27831-47-0-1 | | | K-17118-00-0-1 | | E-21902-35-0-1 | 9-40565-06-0-1 | | 07 |
| Dimex | | | | | | | | | | | | | | | | |
| Dimex Komfort | | | | 13.0 | 20/0° | 9-34907-00-0-1 | 9-41531-00-0-1 | 6-27831-08-0-1 | 6-32668-00-0-1 | | K-17139-00-0-1 | | 9-40473-00-0-1 | | | |
| Egeplast | | | | | | | | | | | | | | | | |
| Egeplast | | | | 9.0 | 20/5° | E-13534-15-0-1 | | 6-27674-53-0-1 | 6-32668-00-0-1 | | | | | | | |
| Fapes | | | | | | | | | | | | | | | | |
| Fapes | 82 | 81 | 85 | 9.0 | 22/0° | 9-39511-00-0-1 | | 6-27674-55-0-1 | 6-32668-00-0-1 | | 6-29892-10-0-1 | | 9-40459-00-0-1 | 9-40871-02-0-1 | | |
| Funke | | | | | | | | | | | | | | | | |
| Funke KS Helios | | | | 13.0 | 20/3° | 9-42972-00-0-1 | 9-42586-00-0-1 | 6-31067-03-0-1 | 6-32668-00-0-1 | 9-43533-00-0-1 | K-17118-00-0-1 | | 9-40465-00-0-1 | 9-40866-00-0-1 | | |
| Funke KS Phoenix | | | | | | | | 6-27831-06-0-1 | | | | | | | | |
| Gealan | | | | | | | | | | | | | | | | |
| Gealan S 3000 | 3090 | 3008 | 3080 | 13.0 | 20/0° | 9-35858-00-0-1 | 9-39155-00-0-1 | 6-27831-04-0-1 | 6-32668-00-0-1 | 9-43490-00-0-1 | K-17890-00-0-1 | | 9-40468-00-0-1 | 9-40565-04-0-1 | A | 12 |
| Gealan S 6000 | 6093 | 6008 | 6051 | | | 9-37885-00-0-1 | 9-41536-00-0-1 | 6-27831-22-0-1 | | | | | | | | |
| Gealan S 7000 IQ | 7093 | 7008 | 7302 | | | | | | | | | | | | | |
| Gealan S 8000 IQ | 8066 | 8008 | 8080 | | | 9-35858-00-0-1 | 9-39155-00-0-1 | 6-31067-02-0-1 | | 9-43490-00-0-1 | K-17890-00-0-1 | | 9-40468-00-0-1 | 9-40565-04-0-1 | | |
| Gromathic | | | | | | | | | | | | | | | | |
| Gromathic System AD 3100 | GM 3101 | GM 3108 | GM 3114 | 9.0 | 20/0° | | | 6-27674-18-0-1 | 6-32668-00-0-1 | | | | | | B | |
| Gromathic System MD 3000 | GM 3001 | GM 3008 | GM 3004 | 9.0 | 20/0° | 9-34202-00-0-1 | | 6-27674-24-0-1 | | | | | | | A | 03 |
| Hocoplast | | | | | | | | | | | | | | | | |
| Hocoplast H 120 | 120-86 | 100-68 | 100-42 | 9.0 | 20/5° | E-11968-00-0-1 | | 6-27674-19-0-1 | 6-32668-00-0-1 | | | | | | | |
| Home | | | | | | | | | | | | | | | | |
| Home | F 84 | B 80 | | 9.0 | 20/6° | 9-30146-02-0-1 | | 6-27674-04-0-1 | 6-32668-00-0-1 | | K-17044-00-0-1 | 9-30082-00-0-1 | | | | |

Frame components for PVC windows

For 1-sashed windows and balcony-doors

Basic security

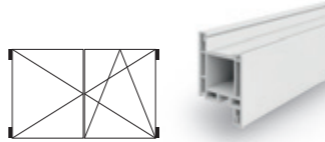


| Profile system | Sash profile | Frame profile | Dummy-mullion profile | Groove position mm | Overlap mm/° | Standard striker (zamak) PU = 100 | Zamak Sec striker PU = 100 | T&T striker PU = 100 | Tilt-First striker PU = 100 | Integrated night vent striker PU = 100 | Bullet-catches PU = 10, 100 | Packer PU = 100 | Run-up block, sash lifter with M.D. PU = 100 | Centre-closer Frame part PU = 100 | SCF centre-closer Frame part A: 9-38156-00-0-1 B: 9-47351-11-0-1 C: 9-41959-00-0-1 D: 9-39407-00-0-1 PU = 100 | SCF packer 9-49604-□□-L/R-1 PU = 100 | | | | | | |
|------------------------------------|--------------|---------------|-----------------------|--------------------|--------------|-----------------------------------|----------------------------|----------------------|-----------------------------|--|-----------------------------|-----------------|--|-----------------------------------|---|--------------------------------------|----------------|----------------|----------------|--|----|--|
| Roplasto | | | | | | | | | | | | | | | | | | | | | | |
| Roplast 3-K | 310 | 301 | 321 | 13.0 | 20/- | 9-42972-00-0-1 | 9-41825-00-0-1 | 6-31067-03-0-1 | 6-32668-00-0-1 | | | | | | | | | | | | | |
| Roplast 4-K | 410 | 401 | 421 | 9.4 | | 9-31115-00-0-1 | 9-41533-00-0-1 | 6-27674-50-0-1 | | | | | | | | | | | | | | |
| Roplast 6-K | 610 | 601 | 621 | 13.0 | | 9-42972-00-0-1 | 9-41825-00-0-1 | 6-31067-03-0-1 | | | | | | | | | | | | | | |
| Roplasto 6001 Plus S-AD | 641300 | 619003 | 610700 | 9.0 | 20/0° | E-15061-00-0-1 | | 6-27674-20-0-1 | 6-32668-00-0-1 | | K-17044-00-0-1 | | 9-30082-00-0-1 | | | | | | | | | |
| Roplasto 6001 Plus S-AD | 640200 | 619003 | | | | E-13534-10-0-1 | | 6-27674-59-0-1 | | | | | 9-41625-00-0-1 | | | | 9-40489-00-0-1 | | | | | |
| Roplasto 6001 Plus S-MD | 641300 | 610102 | | | | 9-35508-00-0-1 | | 6-31067-03-0-1 | | | | | K-17139-00-0-1 | | | | 9-40488-00-0-1 | 9-40565-04-0-1 | | | | |
| Roplasto 6001 Plus S-MD | 640200 | 610172 | | | | | | | | | | | | | | | | | | | | |
| Roplasto 6002 | 671000 | 670100 | 673500 | 13.0 | 22/0° | | | | | | | | | | | | | | | | | |
| Roplasto 7001 | 220204 | 210804 | | | | | | | | | | | | | | 07 | | | | | | |
| Salamander | | | | | | | | | | | | | | | | | | | | | | |
| Salamander bluEvolution 82 AD / MD | | | | 13.0 | 20/0° | 9-45847-00/01-0-1 | | 6-27831-69/70-0-1 | 6-35779-02-9-1 | 9-43533-00-0-1 | K-17747-00-0-1 | | 9-40465-00-0-1 | 9-40866-00-0-1 | A | 01 | | | | | | |
| Salamander bluEvolution | 171 020 | 170 420 | 176 020 | 13.0 | 20/0° | 9-38218-00-0-1 | 9-45738-00-0-1 | 6-31067-15-0-1 | 6-32668-00-0-1 | 9-43524-00-0-1 | K-17139-00-0-1 | | 9-40466-00-0-1 | 9-40565-10-0-1 | D | 18 | | | | | | |
| Salamander Design 2D | 211 025 | 210 020 | 216 020 | | 20/R14 | 9-38634-00-0-1 | 9-42593-00-0-1 | 6-27831-30-0-1 | | | | | | | | | | | | | | |
| Salamander Design 3D | 211 220 | 110 220 | * | | 20/0° | 9-41532-00-0-1 | 6-31067-04-0-1 | 6-27831-30-0-1 | | | | | | | | | | | | | | |
| Salamander Design MD | 111 026 | 110 036 | 116 025 | 9.0 | 20/0° | 9-31750-00-0-1 | | 6-27831-30-0-1 | 6-27674-08-0-1 | | K-17044-00-0-1 | 9-34861-00-0-1 | 9-40471-00-0-1 | | | | | | | | | |
| Salamander Streamline | 251 020 | 250 220 | | | | | | 9-42593-00-0-1 | | | | | | | | | 6-31067-04-0-1 | | | | | |
| Salamander Universal | 201 020 | 200 020 | 206 030 | | | | | | | | | | | | | | | | | | | |
| Salamander Universal | 201 030 | | | | | | | | | | | | | | | | | | | | | |
| Schüco | | | | | | | | | | | | | | | | | | | | | | |
| Schüco Corona AS 60 | 8105 | 8101 | 8131 | 13.0 | 20/0° | 9-38218-00-0-1 | 9-41531-00-0-1 | 6-27831-08-0-1 | 6-32668-00-0-1 | 9-43469-00-0-1 | K-17139-00-0-1 | | 9-40065-00-0-1 | 9-40866-00-0-1 | A | 02 | | | | | | |
| Schüco Corona CT 60 | | | | | -/- | | | | | | | | G-22299-25-0-1 | | | | | | | | | |
| Schüco Corona CT 70 | 8586 | 8597 | 8574 | | 20/0° | 9-38218-00-0-1 | 9-39847-00-0-1 | 6-27831-25-0-1 | | | | | 6-27831-08-0-1 | 9-43497-00-0-1 | | K-17747-00-0-1 | | 9-40066-00-0-1 | 9-40866-00-0-1 | | 01 | |
| Schüco Corona MD 60 | 8121 | 8116 | 8137 | | | | | 6-27831-08-0-1 | | 9-43469-00-0-1 | K-17139-00-0-1 | | | | | 02 | | | | | | |
| Sim | | | | | | | | | | | | | | | | | | | | | | |
| Sim Heliance | | | | 13.0 | -/- | | | G-22299-40-0-1 | 6-32668-00-0-1 | | | | | | | | | | | | | |
| Socredis | | | | | | | | | | | | | | | | | | | | | | |
| Socredis S33 | | | | 13.0 | -/- | | | G-22299-39-0-1 | 6-32668-00-0-1 | | | | | | | | | | | | | |
| Socredis Symbioline | | | | | -/- | | | 6-27831-67-0-1 | | | | | | | | | | | | | | |
| Stöckel | | | | | | | | | | | | | | | | | | | | | | |
| Stöckel Ecostep | 2260 | 2111 | | 13.0 | 20/- | 9-37730-00-0-1 | | 6-27831-21-0-1 | 6-32668-00-0-1 | | | | | | | | | | | | | |
| Technal | | | | | | | | | | | | | | | | | | | | | | |
| Technal Focus | | | | 9.0 | -/- | | | 6-27674-65-0-1 | 6-32668-00-0-1 | | | | | | | | | | | | | |
| Thermoplast | | | | | | | | | | | | | | | | | | | | | | |
| Thermoplast | AP024 | AP021 | | 9.0 | 20/0° | 9-37790-00-0-1 | 9-39848-00-0-1 | 6-27674-46-0-1 | 6-32668-00-0-1 | | | | | | | | | | | | | |
| Thermoplast | AP302 | AP301 | | 13.0 | | 9-34907-00-0-1 | | | | | | | | | | | | | | | | |
| Toundra | | | | | | | | | | | | | | | | | | | | | | |
| Toundra | | | | 9.0 | -/- | | | 6-27674-64-0-1 | 6-32668-00-0-1 | | | | | | | | | | | | | |
| Veka | | | | | | | | | | | | | | | | | | | | | | |
| Veka 70 | | | | 13.0 | -/- | | | G-22299-45-0-1 | 6-32668-00-0-1 | 9-43533-00-0-1 | K-17747-00-0-1 | | 9-40465-00-0-1 | 9-40866-00-0-1 | | 01 | | | | | | |
| Veka Alphaline 90 MD | 103,312 | 101,236 | 102,244 | | 20/0° | 9-45847-00-0-1 | 9-42586-00-0-1 | 6-27831-06-0-1 | | | | | | | | | | | | | | |
| Veka Kietis | | | | | -/- | | | G-22299-32-0-1 | | | | | | | | | | | | | | |
| Veka Softline 70 AD | 103,197 | 101,086 | 102,196 | 13.0 | 20/0° | 9-45847-00-0-1 | 9-42586-00-0-1 | 6-27831-06-0-1 | 6-32668-00-0-1 | 9-43533-00-0-1 | K-17747-00-0-1 | | 9-40465-00-0-1 | 9-40866-00-0-1 | A | 01 | | | | | | |
| Veka Softline AD | 103,105 | 101,085 | | | | | | 9-34202-00-0-1 | | | | | | | | | 9-39848-00-0-1 | | | | | |
| Veka Softline AD | 103,100 | 101,086 | | | | | | 6-27674-46-0-1 | | | | | | | | | 6-31067-05-0-1 | | | | | |
| Veka Softline MD | 103,117 | 101,098 | | | | | | 6-27831-06-0-1 | | | | | | | | | | | | | | |
| Veka Topline AD | 103,200 | 101,200 | 102,206 | 13.0 | 20/0° | 9-45847-00-0-1 | 9-42586-00-0-1 | 6-31067-05-0-1 | 6-27831-06-0-1 | K-17747-00-0-1 | | 9-40465-00-0-1 | 9-40866-00-0-1 | A | 01 | | | | | | | |
| Veka Topline MD | 103,220 | 101,220 | 102,226 | | | | | | | | | | | | | | | | | | | |
| VIVA | | | | | | | | | | | | | | | | | | | | | | |
| VIVA-Plast | | | | 13.0 | 20/0° | 9-42972-00-0-1 | 9-42586-00-0-1 | 6-27831-06-0-1 | 6-32668-00-0-1 | 9-43533-00-0-1 | K-17118-00-0-1 | | 9-40465-00-0-1 | 9-40866-00-0-1 | | | | | | | | |
| Weltplast | | | | | | | | | | | | | | | | | | | | | | |
| Weltplast | 552000 | 550000 | 562000 | 9.0 | -/0° | 9-41364-00-0-1 | | 6-27674-60-0-1 | 6-32668-00-0-1 | 9-43528-00-0-1 | K-17044-00-0-1 | 9-41595-00-0-1 | 9-41457-00-0-1 | | | | | | | | | |
| Winsa | | | | | | | | | | | | | | | | | | | | | | |
| Winsa | 1102 | 1101 | 1161 | 13.0 | 20/0° | 9-38115-00-0-1 | | 6-27831-53-0-1 | 6-32668-00-0-1 | | | | | | | | | | | | | |
| Wymar | | | | | | | | | | | | | | | | | | | | | | |
| Wymar 2000 | P 2204 | P2008 | | 13.0 | 20/0° | 9-35737-00-0-1 | 9-42660-00-0-1 | 6-27831-11-0-1 | 6-32668-00-0-1 | | K-17044-00-0-1 | E-18310-00-0-1 | 9-40475-00-0-1 | 9-40565-04-0-1 | A | 13 | | | | | | |
| Wymar 2500 | | | | | | E-19550-32-0-1 | | 6-27831-42-0-1 | | | | | 9-42662-00-0-1 | | | 14 | | | | | | |
| Wymar 3000 | 3200 | 3000 | 3300 | | | 20/10° | | E-19550-62-0-1 | | | | | 9-41746-00-0-1 | | | 6-27831-45-0-1 | 9-41864-00-0-1 | 9-41866-00-0-1 | 15 | | | |

Frame components for PVC windows

For 2-sashed windows and balcony-doors – with lever-operated gear – without mullion

Basic security

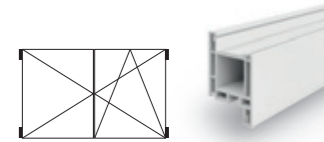


| Profile system | Sash profile | Frame profile | Dummy-mullion profile | Groove position mm | Overlap mm/° | Standard striker (frame) PU = 100 | Dummy-mullion striker PU = 100 | Rebate lever | Packer for lever-operated gear PU = 100 |
|------------------|--------------|---------------|-----------------------|--------------------|--------------|-----------------------------------|--------------------------------|--------------|---|
| Veka | | | | | | | | | |
| Veka Artline | 103,210 | 101,210 | 102,211 | | 20/0° | 9-38250-00-0-1 | 9-43809-00-0-1 | ZH | |
| Veka Compact | | | | 9.0 | | E-18979-00-0-1 | | | |
| Veka Contour | | | | | | | | | |
| Veka Softline AD | 103,197 | 101,086 | 102,196 | 13.0 | 20/0° | 9-42972-00-0-1 | E-13534-12-0-1 | ZH | |
| Veka Softline AD | 103,104 | | 102,086 | | | 9-34202-00-0-1 | E-13534-12-0-1 | ZK | |
| Veka Softline AD | 103,102 | 101,085 | 102,118 | 9.0 | | 9-34202-00-0-1 | E-13534-12-0-1 | ZH | |
| Veka Softline MD | 103,116 | 101,098 | 102,106 | | | | 9-30146-11-0-1 | Euro | |
| Veka Topline AD | 103,200 | 101,200 | 102,206 | 13.0 | | 9-42972-00-0-1 | E-13534-12-0-1 | ZH | |
| Veka Topline MD | 103,220 | 101,220 | 102,226 | | | | | | |
| Weltplast | | | | | | | | | |
| Weltplast | 552000 | 550000 | 562000 | 9.0 | -/0° | 9-41364-00-0-1 | E-13534-12-0-1 | ZH | |
| Wymar | | | | | | | | | |
| Wymar 2500 | | | | 13.0 | 20/0° | E-19550-32-0-1 | | | |
| Wymar 3000 | 3200 | 3000 | 3300 | | 20/10° | 9-41839-00-0-1 | E-13534-12-0-1 | ZH | |

Frame components for PVC windows

For 2-sashed windows and balcony-doors – with shoot-bolt – without mullion

Basic security

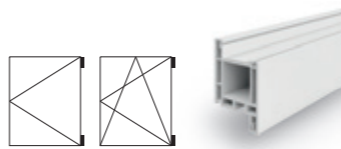


| Profile system | Sash profile | Frame profile | Dummy mullion profile | Groove position mm | Overlap mm/° | Standard striker (frame) PU = 100 | Dummy-mullion striker PU = 100 | Top shoot-bolt PU = 10 | Bottom shoot-bolt PU = 10 | Striker top/bottom PU = 100 | Packer [1] PU = 100 | | |
|---------------------------|--------------|---------------|-----------------------|--------------------|----------------|-----------------------------------|--------------------------------|------------------------|---------------------------|-----------------------------|---------------------|----------------|--|
| Accord | | | | | | | | | | | | | |
| Accord | 503002 | 503001 | 503228 | 9.0 | 19/0° | 9-34325-00-0-1 | 9-30146-01-0-1 | 6-24682-00-0-1 | 6-24681-00-0-1 | E-13144-00-0-1 | | | |
| Accord Contour 7.0 MD | A.FL 02 | A.RA 03 | A.ST 01 | 13.0 | 20/0° | 9-38620-00-0-1 | E-13534-12-0-1 | 6-22917-00-0-1 | 6-22916-00-0-1 | E-29518-00-0-1 | | | |
| Alphacan Fersina | | | | | | | | | | | | | |
| Alphacan Fersina Diplomat | ZOMI | ELMI | DUEB | 9.1 | 21/0° | 9-36886-00-0-1 | 9-30146-05-0-1 | 6-25170-00-0-1 | 6-25169-00-0-1 | 6-27837-00-0-1 | | | |
| Alphacan Fersina Master | ZOM 01 | ELA 02 | TAO 00 | 9.4 | 21.7/0° | 9-30146-07-0-1 | 9-30146-05-0-1 | 6-25416-00-0-1 | 6-25415-00-0-1 | 6-27837-00-0-1 | 9-30081-00-0-1 | | |
| Aluplast | | | | | | | | | | | | | |
| Aluplast Ideal 2000 | 120022 | 120002 | 120204 | 13.0 | 20/5° | 9-34907-00-0-1 | | | | 9-36227-00-0-1 | | | |
| Aluplast Ideal 4000 | 140025 | 140002 | 140066 | | 20/0° | 9-38634-00-0-1 | E-13534-12-0-1 | 6-22917-00-0-1 | 6-22916-00-0-1 | 9-38635-00-0-1 | | | |
| Aluplast Ideal 5000 | 140020 | 140001 | 140250 | | 9-35770-00-0-1 | 9-35774-00-0-1 | | | | | | | |
| Aluplast Signum 25 | 2539 | 2534 | 2550 | | 9-34907-00-0-1 | | | | | | | | |
| Aluplast Signum 26 | 2610 | 2601 | 2630 | | | | | | | | | | |
| Aluplast Signum 27 | 2610 | 2601 | 2630 | | | | | | | | | | |
| Atrya | | | | | | | | | | | | | |
| Atrya (Tryba) E 58 | Z 74 | L 65 | T 32 | 9.0 | 20/5° | E-16069-00-0-1 | 9-43809-00-0-1 | 6-22917-00-0-1 | 6-22916-00-0-1 | E-16070-00-0-1 | | | |
| Atrya (Tryba) T 58 | AZ 76 | L 65 | | 13.0 | | E-18949-00-0-1 | 9-43809-00-0-1 | 6-22917-00-0-1 | 6-22916-00-0-1 | E-18950-00-0-1 | | | |
| Atrya (Tryba) T 62 | BS 100 | NS 100 | MC 100 | 9.0 | | E-16237-00-0-1 | E-16237-00-0-1 | 6-25170-00-0-1 | 6-25169-00-0-1 | E-14591-00-0-1 | | | |
| Brügmann | | | | | | | | | | | | | |
| Brügmann 81 | HF 410 | HF 431 | HF 438 | 9.0 | 20/0° | 9-32616-00-0-1 | 9-30735-00-0-1 | 6-26321-00-0-1 | 6-26322-00-0-1 | 8-00668-05-0-1 | 9-30082-00-0-1 | | |
| Brügmann AD | HP 152 | HP 102 | HP 350 | 13.0 | | 9-34907-00-0-1 | E-13534-12-0-1 | 6-22917-00-0-1 | 6-22916-00-0-1 | 9-36227-00-0-1 | | | |
| Brügmann MD | HP 252 | HP 202 | HP 451 | | | | | | | | | | |
| Deceuninck | | | | | | | | | | | | | |
| Deceuninck 1800 | P1806 | P 1801 | P400 | 8.7 | 21/0° | 9-36544-00-0-1 | | | | 8-00668-16-0-1 | | | |
| Deceuninck Mondial | P 2020 | P 2000 | P2040 | 13.0 | | 9-35737-00-0-1 | E-13534-12-0-1 | 6-22917-00-0-1 | 6-22916-00-0-1 | 9-35741-00-0-1 | | | |
| Deceuninck Mondial | P 2105 | P 2100 | P 2045 | | | | | | | | | | |
| Dimex | | | | | | | | | | | | | |
| Dimex Komfort | | | | 13.0 | 20/0° | 9-34907-00-0-1 | E-13534-12-0-1 | 6-22917-00-0-1 | 6-22916-00-0-1 | E-19222-00-0-1 | | | |
| Dimex Super | 7750 | | 8510 | 9.0 | | 9-34202-00-0-1 | 9-30627-00-0-1 | 9-35847-00-*1 | 9-35848-00-*1 | 8-00668-20-0-1 | | | |
| Dongsan | | | | | | | | | | | | | |
| Dongsan (Korea) | 1616 | 1604 | 1640 | 13.0 | 20/- | 9-33802-00-0-1 | E-13534-12-0-1 | 6-22917-00-0-1 | 6-22916-00-0-1 | 9-35251-10-0-1 | | | |
| Edil | | | | | | | | | | | | | |
| Edil Oslo | P 1579 | P 1590 | P1584 | 13.0 | 20/0° | 9-38307-00-0-1 | E-13534-12-0-1 | 6-22917-00-0-1 | 6-22916-00-0-1 | 6-28333-01-0-1 | | | |
| Edil Plastix | P 1472 | P 1470 | P 1180 | | 20/0° | 9-30146-03-0-1 | 9-30146-03-0-1 | 8-00763-00-0-1 | 8-00762-00-0-1 | 8-00668-01-0-1 | 9-41625-00-0-1 | | |
| Edil Plastix | P 1576 | P 1580 | P 1684 | | | 9-30146-03-0-1 | 9-30146-03-0-1 | 6-26071-02-0-1 | 6-24387-02-0-1 | 8-00668-03-0-1 | | | |
| Egeprofil | | | | | | | | | | | | | |
| Egeprofil Turkey | | | | 9.0 | 21/5° | 9-33271-00-0-1 | E-13534-12-0-1 | 6-22917-00-0-1 | 6-22916-00-0-1 | 8-00668-11-0-1 | | | |
| Fapes | | | | | | | | | | | | | |
| Fapes | 82 | 81 | 85 | 9.0 | 22/0° | 9-39511-00-0-1 | E-13534-12-0-1 | 6-22917-00-0-1 | 6-22916-00-0-1 | 6-30053-00-0-1 | | | |
| Gealan | | | | | | | | | | | | | |
| Gealan S 3000 | 3090 | 3008 | 3080 | 13.0 | 20/0° | 9-35858-00-0-1 | E-13534-12-0-1 | 6-22917-00-0-1 | 6-22916-00-0-1 | 8-00668-19-0-1 | | | |
| Gealan S 3000 | 3090 | 3008 | 3301 | | | | 9-35858-00-0-1 | 6-24948-00-*1 | 6-24948-00-*1 | | | | |
| Gealan S 6000 | 6093 | 6008 | 6051 | | | | E-13534-12-0-1 | 6-22917-00-0-1 | 6-22916-00-0-1 | | | 9-37907-00-0-1 | |
| Gealan S 7000 IQ | 7093 | 7008 | 7302 | | | | 9-35858-00-0-1 | 6-24948-00-*1 | 6-24948-00-*1 | | | 8-00668-19-0-1 | |
| Gealan S 7000 IQ | 7093 | 7008 | 7303 | | | | E-13534-12-0-1 | 6-22917-00-0-1 | 6-22916-00-0-1 | | | | |
| Gealan S 8000 | 8066 | 8008 | 8080 | | | | | | | | | | |
| Gromathic | | | | | | | | | | | | | |
| Gromathic System AD 3100 | GM 3101 | GM 3108 | GM 3114 | 9.0 | 20/0° | 9-34202-00-0-1 | | 6-24682-00-0-1 | 6-24681-00-0-1 | 8-00668-10-0-1 | | | |
| Gromathic System MD 3000 | GM 3001 | GM 3008 | GM 3004 | | | 9-34202-00-0-1 | 9-34202-00-0-1 | 6-24387-00-0-1 | 6-24387-00-0-1 | 8-00668-20-0-1 | | | |
| Helmitin | | | | | | | | | | | | | |
| Helmitin KS | 4-60115 | 4-60111 | 4-60124 | 12.3 | 20/0° | 9-35714-00-0-1 | 9-35714-00-0-1 | 8-00763-00-0-1 | 8-00762-00-0-1 | 9-35251-09-0-1 | | | |
| Helmitin KSL | 4-60185 | 4-60180 | 4-60201 | | | | E-13534-12-0-1 | 6-22917-00-0-1 | 6-22916-00-0-1 | 9-38552-00-0-1 | | | |
| Hocoplast | | | | | | | | | | | | | |
| Hocoplast H 120 | 120-86 | 100-68 | 100-42 | 9.0 | 20/5° | E-11968-00-0-1 | E-13534-12-0-1 | 6-22917-00-0-1 | 6-22916-00-0-1 | 8-00668-22-0-1 | | | |
| Inoutic | | | | | | | | | | | | | |
| Inoutic AD | Z 10 | L 10 | SFZ 10 | 13.0 | 21/0° | 9-34492-00-0-1 | E-13534-12-0-1 | 6-22917-00-0-1 | 6-22916-00-0-1 | 9-38052-00-0-1 | 9-30081-00-0-1 | | |
| Inoutic MD | ZM 1 | LM 10 | SFM 1 | 9.0 | | 9-31755-00-0-1 | | | | 8-00668-17-0-1 | 9-41625-00-0-1 | | |
| Internorm | | | | | | | | | | | | | |
| Internorm | IF | LS | | 9.0 | 20/0° | 9-30146-01-0-1 | E-13534-12-0-1 | 6-22917-00-0-1 | 6-22916-00-0-1 | | | | |
| Intertec | | | | | | | | | | | | | |
| Intertec WD 70 (Greiner) | 140001 | 140020 | 140050 | 13.0 | 20/0° | 9-38634-00-0-1 | E-13534-12-0-1 | 6-22917-00-0-1 | 6-22916-00-0-1 | 9-38635-00-0-1 | | | |
| Ital Plastick | | | | | | | | | | | | | |
| Ital Plastick | 07073ZE | 07073EL | 07073TC | 10.0 | 20/0° | 9-30146-04-0-1 | 9-30146-04-0-1 | 6-25416-00-0-1 | 6-25415-00-0-1 | 8-00668-04-0-1 | | | |
| LB profile | | | | | | | | | | | | | |
| LB-Profile PAD | AZ 2-3 | AL 1-3 | MSZ-10 | 13.0 | 20/0° | 9-34907-00-0-1 | E-13534-12-0-1 | 6-22917-00-0-1 | 6-22916-00-0-1 | 9-36227-00-0-1 | | | |
| Plastival | | | | | | | | | | | | | |
| Plastival PF 5900 | F 001 | F 010 | F 022 | 13.0 | 20/7° | E-18736-00-0-1 | E-18108-00-0-1 | 6-22917-00-0-1 | 6-22916-00-0-1 | E-18737-00-0-1 | | | |
| Plustec | | | | | | | | | | | | | |
| Plustec | FLR 70 | BLR 80C | ST 61 | 13.0 | 20/5° | 9-30146-01-0-1 | 9-30146-01-0-1 | 6-24682-00-0-1 | 6-24681-00-0-1 | 8-00668-08-0-1 | 9-30082-00-0-1 | | |
| Plustec 3K-System AD | FR 60 V | BR 66 | ST 61 | | | 9-38319-00-0-1 | 6-26321-00-0-1 | 6-26322-00-0-1 | 9-37515-00-*1 | | | | |
| Plustec 3K-System AD | FR 60 V | BR 66 | ST 44 | | | E-13534-12-0-1 | 6-22917-00-0-1 | 6-22916-00-0-1 | 9-37505-00-0-1 | | | | |

[1] = Packer for mushroom cam striker, INV striker, Tilt-First striker, bullet-catch and Tilt-Only stay

Frame components for PVC windows

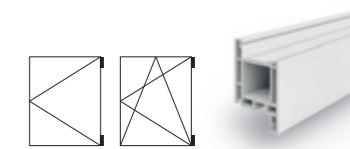
For 1-sashed windows and balcony-doors
With burglar-inhibiting design RC1N / RC2N / RC2



| Profile system | Sash profile | Frame profile | Dummy-mullion profile | Groove position mm | Overlap mm/° | Steel Sec striker PU = 100 | Tilt-First striker PU = 100 |
|-------------------------------|--------------|---------------|-----------------------|--------------------|--------------|----------------------------|-----------------------------|
| Internova | | | | | | | |
| Internova 4KS | GF 4022 | GR 4000 | GS 4050 | 13.0 | 20/0° | 6-27831-06-0-1 | 6-35779 |
| Internova 6000 | GF 6020 | GR 6001 | | | | | |
| Kompen | | | | | | | |
| Kompen KOM 900 | | | | 13.0 | -/- | 6-31067-05-0-1 | 6-35779 |
| Kompen Thermoline KOM600 | KOM602 | KOM605 | | | 20/0° | | |
| LB profile | | | | | | | |
| LB-Profile PCD | | CL2-5 | | 13.0 | 20/0° | 6-27831-16-0-1 | 6-35779 |
| LB-Profile PCD | CZ2-5 | CLM2-5-C | | | | | |
| Oxxo | | | | | | | |
| Oxxo Evolution | | | | 13.0 | -/- | G-22299-09-0-1 | 6-35779 |
| Oxxo Sym | | | | 13.0 | | G-22299-51-0-1 | |
| Pakpen | | | | | | | |
| Pakpen | | | | 9.0 | -/- | U-70353-01-0-1 | 6-35779 |
| Pakpen Global Seri | | | | 13.0 | 20/0° | U-70354-01-0-1 | |
| Pakpen Optimal | | | | | | | |
| Panorama | | | | | | | |
| Panorama 3000 | 3015 | 3001 | | 13.0 | 20/0° | 6-27831-50-0-1 | 6-35779 |
| Pimapen | | | | | | | |
| Pimapen S 7500 Fantasia | | | | 13.0 | 20/0° | 6-27831-06-0-1 | 6-35779 |
| Pimapen S6000 | | | | 9.0 | | U-70353-01-0-1 | |
| Pimapen S6000 | | | | 13.0 | | U-70354-01-0-1 | |
| Plafen | | | | | | | |
| Plafen E-Line | EZ 60/77 | EL 60/66 | | 13.0 | 20/0° | 6-27831-04-0-1 | 6-35779 |
| Plastil | | | | | | | |
| Plastil Elodie | | | | 13.0 | -/- | G-22299-33-0-1 | 6-35779 |
| Plastival | | | | | | | |
| Plastival PF 5900 | F 001 | F 010 | F 022 | 13.0 | 20/7° | G-22299-20-0-1 | 6-35779 |
| Plustec | | | | | | | |
| Plustec Softline | FR 60 V | BR 66 | ST 61 | 13.0 | 20/5° | 6-31067-06-0-1 | 6-35779 |
| Primo | | | | | | | |
| Primo 4000 | 3283 | 3282 | | 13.0 | 20/- | 6-27831-50-0-1 | 6-35779 |
| Profel | | | | | | | |
| Profel | P 602 | P601 | | 9.0 | 20/0° | 6-27674-57-0-1 | 6-35779 |
| Profex | | | | | | | |
| Profex 2000 | | | | 13.0 | -/- | G-22299-21-0-1 | 6-35779 |
| Profine | | | | | | | |
| Profine Eurodur 3S | 1411 | 1401 | 1440 | 13.0 | 20/4° | 6-27831-01-0-1 | 6-35779 |
| Profine EuroFutur Classic | 2411 | 2401 | 2441 | | | | |
| Profine EuroFutur Elegance | 111 | 101 | 141 | | | | |
| Profine Gold | 1463 | 1461 | 1440 | 12.9 | | 6-27831-56-0-1 | |
| Profine KBE 58 | 318 | 306 | 134 | 9.0 | 20/2.5° | 6-27674-05-0-1 | |
| Profine KBE 70 | 375 | 370 | 385 | 13.0 | 20/0° | 6-31067-03-0-1 | 6-35779 |
| Profine KBE 70 | 9375 | 9370 | | | | 6-27831-56-0-1 | |
| Profine Kömmerling 88+ | 6211 | 6201 | 6306 | | | 20/4° | |
| Profine Trocal 88+ | 8221 | 8102 | 532100 | 9.0 | 20/0° | 6-27674-42-0-1 | 6-35779 |
| Profine Trocal 900 | 920100 | 910100 | 935100 | | | 6-27674-07-0-1 | |
| Profine Trocal Confort | 120400 | 111000 | 130900 | | | 6-27831-40-0-1 | |
| Profine Trocal Innovova 2000 | 520100 | 510100 | 532100 | 13.0 | 20/0° | 6-27674-42-0-1 | 6-35779 |
| Profine Trocal Innovova 70 AD | 620600 | 610100 | | | | 6-27831-40-0-1 | |
| Profine Trocal Innovova 70 MD | 520600 | 510300 | | | | | |
| | | | | | | | |
| Pural | | | | | | | |
| Pural AD | P 009 | P 002 | SA/SI | 9.0 | 18/0° | 6-27674-45-0-1 | 6-35779 |
| Pural MD | P005 | P 010 | Z100Z110 | | | | |
| Rehau | | | | | | | |
| Rehau Brillant-Design | 550 060 | 550 000 | | 13.0 | 20/0° | 6-27831-02-0-1 | 6-35779 |
| Rehau Klima-Design | 555 510 | 555 500 | | | | 6-30495-05-0-1 | |
| Rehau Geneo | Z 57 | 72 AD | 60 | | | G-22299-22-0-1 | |
| Rehau Optimum/Platinum | | | | | -/- | | |
| Rehau S 730 | 541 010 | 541 060 | 541 100 | | 20/0° | 6-31067-07-0-1 | |
| Rehau S 780 | 634 153 | 634 133 | 632 913 | 9.0 | 18/0° | 6-27674-13-0-1 | |
| Roloplast | | | | | | | |
| Roloplast 3-K | 310 | 301 | 321 | 13.0 | 20/- | 6-31067-03-0-1 | 6-35779 |
| Roloplast 4-K | 410 | 401 | 421 | 9.4 | | 6-27674-50-0-1 | |
| Roloplast 6-K | 610 | 601 | 621 | 13.0 | | 6-31067-03-0-1 | |

Frame components for PVC windows

For 1-sashed windows and balcony-doors
With burglar-inhibiting design RC1N / RC2N / RC2



| Profile system | Sash profile | Frame profile | Dummy-mullion profile | Groove position mm | Overlap mm/° | Steel Sec striker PU = 100 | Tilt-First striker PU = 100 |
|-------------------------|--------------|---------------|-----------------------|--------------------|----------------|----------------------------|-----------------------------|
| Salamander | | | | | | | |
| Salamander bluEvolution | 171 020 | 170 420 | 176 020 | 13.0 | 20/0° | 6-31067-15-0-1 | 6-35779 |
| Salamander Design 2D | 211 025 | 210 020 | 216 020 | | 20/R14 | 6-27831-30-0-1 | |
| Salamander Design 3D | 211 220 | 110 220 | * | | | 6-31067-04-0-1 | |
| Salamander Design MD | 111 026 | 110 036 | 116 025 | | 20/0° | 6-27831-30-0-1 | |
| Salamander Streamline | 251 020 | 250 220 | | | | 6-31067-04-0-1 | |
| Salamander Universal | 201 020 | 200 020 | 206 030 | 9.0 | | 6-27674-08-0-1 | |
| Salamander Universal | 201 030 | | | | | | |
| Schüco | | | | | | | |
| Schüco Corona AS 60 | 8105 | 8101 | 8131 | 13.0 | 20/0° | 6-27831-08-0-1 | 6-35779 |
| Schüco Corona CT 60 | | | | | -/- | G-22299-25-0-1 | |
| Schüco Corona CT 70 | 8586 | 8597 | 8574 | | 20/0° | 6-27831-25-0-1 | |
| Schüco Corona MD 60 | 8121 | 8116 | 8137 | | | 6-27831-08-0-1 | |
| Sim | | | | | | | |
| Sim Heliance | | | | 13.0 | -/- | G-22299-40-0-1 | 6-35779 |
| Socredis | | | | | | | |
| Socredis S33 | | | | 13.0 | -/- | G-22299-39-0-1 | 6-35779 |
| Socredis Symbioline | | | | | -/- | 6-27831-67-0-1 | |
| Stöckel | | | | | | | |
| Stöckel Ecotep | 2260 | 2111 | | 13.0 | 20/- | 6-27831-21-0-1 | 6-35779 |
| Technal | | | | | | | |
| Technal Focus | | | | 9.0 | -/- | 6-27674-65-0-1 | 6-35779 |
| Thermoplast | | | | | | | |
| Thermoplast | AP024 | AP021 | | 9.0 | 20/0° | 6-27674-46-0-1 | 6-35779 |
| Thermoplast | AP302 | AP301 | | 13.0 | | | |
| Toundra | | | | | | | |
| Toundra | | | | 9.0 | -/- | 6-27674-64-0-1 | 6-35779 |
| Veka | | | | | | | |
| Veka 70 | | | | 13.0 | -/- | G-22299-45-0-1 | 6-35779 |
| Veka Alphasine 90 MD | 103,312 | 101,236 | 102,244 | | 20/0° | 6-27831-06-0-1 | |
| Veka Kietis | | | | | -/- | G-22299-32-0-1 | |
| Veka Softline 70 AD | 103,197 | 101,086 | 102,196 | 9.0 | 20/0° | 6-27831-06-0-1 | 6-35779 |
| Veka Softline AD | 103,105 | 101,085 | 102,196 | | | 6-27674-46-0-1 | |
| Veka Softline AD | 103,100 | 101,086 | 102,196 | | | | |
| Veka Softline MD | 103,117 | 101,098 | | | | | |
| Veka Topline AD | 103,200 | 101,200 | 102,206 | 13.0 | | 6-31067-05-0-1 | 6-35779 |
| Veka Topline MD | 103,220 | 101,220 | 102,226 | | | 6-27831-06-0-1 | |
| VIVA | | | | | | | |
| VIVA-Plast | | | | 13.0 | 20/0° | 6-27831-06-0-1 | 6-35779 |
| Weltplast | | | | | | | |
| Weltplast | 552000 | 550000 | 562000 | 9.0 | -/0° | 6-27674-60-0-1 | 6-35779 |
| Winsa | | | | | | | |
| Winsa | 1102 | 1101 | 1161 | 13.0 | 20/0° | 6-27831-53-0-1 | 6-35779 |
| Wymar | | | | | | | |
| Wymar 2000 | P 2204 | P2008 | | 13.0 | 20/0° | 6-27831-11-0-1 | 6-35779 |
| Wymar 2500 | | | | | 6-27831-42-0-1 | | |
| Wymar 3000 | 3200 | 3000 | 3300 | | 20/10° | 6-27831-45-0-1 | |

Frame components for PVC windows

Packers



| Profile-specific packers | | |
|--|-----|----------------|
| For PVC windows, depending on profile system | PU | Order number |
| Alphacan Class; Fersina | 100 | 9-44889-07-0-1 |
| Alphacan MD 600 | 100 | 9-44889-06-0-1 |
| Aluplast Ideal 4000; 5000; 6000; 7000; 8000 | 100 | 9-44889-02-0-1 |
| Brügmann AD / MD | 100 | 9-44889-02-0-1 |
| Deceuninck Mondial | 100 | 9-44889-08-0-1 |
| Deceuninck Zendow | 100 | 9-44889-00-0-1 |
| Dimex Contour 7.0 | 100 | 9-44889-01-0-1 |
| Gealan S 3000; S 7000; S 8000; S 9000 | 100 | 9-44889-00-0-1 |
| Inoutic (Thyssen) Prestige AD / MD; Eforte MD; Elite / Arcade AD | 100 | 9-44889-06-0-1 |
| Plustek Softline | 100 | 9-44889-01-0-1 |
| Profine KBE 70 AD / Rehau Geneo; Synego; Euro Design 86 | 100 | 9-44889-00-0-1 |
| Profine 76 Ad / MD, 88 MD (Kömmerling / KBE / Trocal) | 100 | 9-44889-00-0-1 |
| Profine Kömmerling EuroFutur Classic / Elegance AD / MD | 100 | 9-44889-00-0-1 |
| Profine Trocal 88+ | 100 | 9-44889-00-0-1 |
| Profine Trocal Innonova 2000, 70 AD / MD, Confort | 100 | 9-44889-03-0-1 |
| Rehau S 730; Brillant; Clima; Bassic; Thermo Design | 100 | 9-44889-01-0-1 |
| Salamander 2D; 3D; Streamline | 100 | 9-44889-04-0-1 |
| Salamander bluEvolution 82 | 100 | 9-44889-01-0-1 |
| Schüco Corona AS 60 | 100 | 9-44889-02-0-1 |
| Schüco Corona CT 70; Corona SI 82; Alu Inside SI 82 | 100 | 9-44889-03-0-1 |
| Veka Softline 70 AD / MD; Topline 70 AD / MD, Softline 82 AD / MD; Alphaline | 100 | 9-44889-01-0-1 |
| Wymar 2000 | 100 | 9-44889-08-0-1 |
| Wymar 2500 | 100 | 9-44889-03-0-1 |
| Wymar 3000 | 100 | 9-44889-02-0-1 |

Application range

- For Tilt&Turn: with T&T additional stay (8-00734-00-0-1).
- For Tilt-First: with TF additional stay (G-45995-00-0-1).
- Tilt-Only stays (U-76500-00-0-1, G-18560-01-0-1)
- TF striker (6-32668-00-0-1)
- Night vent striker (G-13261-00-0-1)

Table of contents



4 UNI-JET hinge-side and frame components for timber windows

| | |
|----------------------------------|-----|
| 4.1 Face-fixed hinge-side | |
| Table of contents | 265 |
| 4.2 Concealed hinge-side | |
| Table of contents | 391 |
| 4.3 Frame components | |
| Table of contents | 413 |





4.1 Face-fixed hinge-side for timber windows

| | |
|--|-----|
| UNI-JET M6/12 Table of contents | 267 |
| UNI-JET M6/150 Table of contents | 297 |
| UNI-JET M8/12 Table of contents | 303 |
| UNI-JET M20/12 Table of contents | 309 |
| UNI-JET M6/4 Table of contents | 331 |
| UNI-JET S Table of contents | 363 |

Table of contents

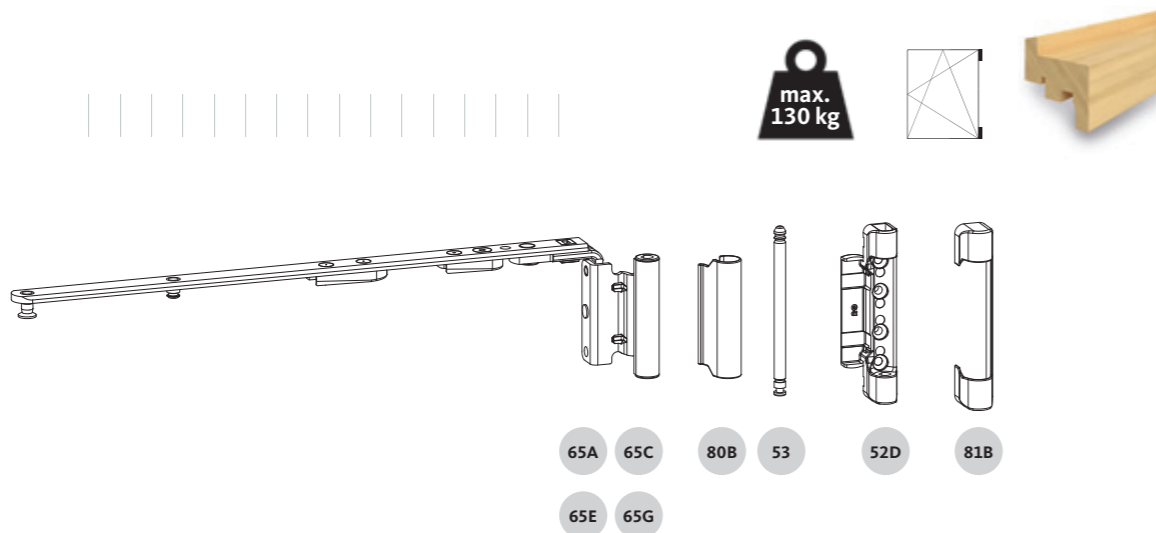


UNI-JET M6/12

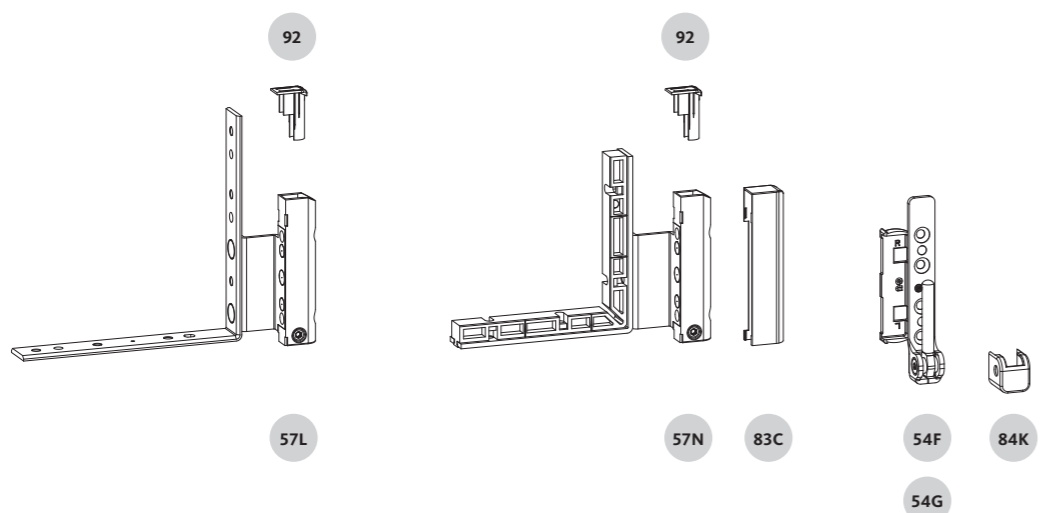
| | |
|---|-----|
| Tilt&Turn / Tilt-First sash – up to max. 130 kg sash weight | 268 |
| Turn-Only sash – up to max. 130 kg sash weight | 270 |
| Tilt-Only sash – up to max. 80 kg sash weight | 272 |
| Tilt-Only sash (handle on the side) – up to max. 100 kg sash weight | 274 |
| Tilt&Turn sash, pitched window – up to max. 100 kg sash weight | 276 |
| Tilt&Turn sash, arched window – up to max. 80 kg sash weight | 278 |
| Hinge-side accessories | 280 |

UNI-JET M6/12 – Tilt&Turn / Tilt-First sash

Max. sash weight 130 kg



- 65A
- 65C
- 80B
- 53
- 52D
- 81B
- 65E
- 65G



92

92

57L

57N

83C

54F

84K

54G

Tested hardware load-bearing capacity

- Max. 130 kg see application diagram 0-45559
- Installation drawing: 0-46605

Order example

Sash overlap
18 or 20
6-39153-□□-L/R-1

UNI-JET M6/12 – Tilt&Turn / Tilt-First sash

Max. sash weight 130 kg



Upper hinge-side

| Tilt&Turn stay-arm, AX 9 mm | | | | |
|------------------------------|-----------|--------|----|------------------|
| Item | SRW | Length | PU | Order number |
| 65A | 280-500 | 230 | 10 | 6-39153-□□-L/R-1 |
| | 501-750 | 314 | | 6-39154-□□-L/R-1 |
| | 751-1200 | 455 | | 6-39155-□□-L/R-1 |
| | 1201-1600 | 615 | | 6-39156-□□-L/R-1 |
| Tilt&Turn stay-arm, AX 13 mm | | | | |
| 65C | 280-500 | 230 | 10 | 6-39157-□□-L/R-1 |
| | 501-750 | 314 | | 6-39158-□□-L/R-1 |
| | 751-1200 | 455 | | 6-39159-□□-L/R-1 |
| | 1201-1600 | 615 | | 6-39160-□□-L/R-1 |

| Tilt-First stay-arm, AX 9 mm | | | | |
|-------------------------------|-----------|--------|----|------------------|
| Item | SRW | Length | PU | Order number |
| 65E | 280-500 | 230 | 10 | 6-39169-□□-L/R-1 |
| | 501-750 | 314 | | 6-39170-□□-L/R-1 |
| | 751-1200 | 455 | | 6-39171-□□-L/R-1 |
| | 1201-1600 | 615 | | 6-39172-□□-L/R-1 |
| Tilt-First stay-arm, AX 13 mm | | | | |
| 65G | 280-500 | 230 | 10 | 6-39173-□□-L/R-1 |
| | 501-750 | 314 | | 6-39174-□□-L/R-1 |
| | 751-1200 | 455 | | 6-39175-□□-L/R-1 |
| | 1201-1600 | 615 | | 6-39176-□□-L/R-1 |

| Cover cap for stay-hinge | | | |
|--------------------------|--------------|-----|----------------|
| Item | Colours | PU | Order number |
| 80B | See page 290 | 100 | 9-47796-01-0-□ |

| Stay-bearing pin | | | |
|------------------|---------|-----|----------------|
| Item | Colours | PU | Order number |
| 53 | | 100 | 9-48898-00-0-1 |

| Stay-bearing M6 | | | |
|-----------------|------------|-----|-------------------------------|
| Item | System | PU | Order number |
| 52D | 12/18-9+13 | 100 | 6-36050-□□-0-1 |
| | 12/20-9+13 | | 6-36050-84-0-1 ^[1] |
| | 12/18-9+13 | | |

| Cover cap for stay-bearing | | | |
|----------------------------|--------------|-----|----------------|
| Item | Colours | PU | Order number |
| 81B | See page 291 | 100 | 9-47334-01-0-□ |

Lower hinge-side

| Rebate corner-hinge – without hardware groove, without turn-brake | | | |
|---|------------|----|------------------|
| Item | System | PU | Order number |
| 57L | 12/18-9+13 | 50 | 6-36851-□□-L/R-1 |
| | 12/20-9+13 | | |
| Rebate corner-hinge – with hardware groove, without turn-brake | | | |
| 57N | 12/18-9 | 50 | 6-36118-□□-L/R-1 |
| | 12/20-9 | | 6-36120-□□-L/R-1 |
| | 12/18-13 | | |
| | 12/20-13 | | |

| Plug | | | |
|------|--------------|-----|----------------|
| Item | Colours | PU | Order number |
| 92 | See page 294 | 100 | 9-47426-00-0-□ |

| Cover cap for rebate corner-hinge | | | |
|-----------------------------------|--------------|-----|------------------|
| Item | Colours | PU | Order number |
| 83C | See page 293 | 100 | 9-47782-00-L/R-□ |

| Pivot-rest M6/100 | | | |
|-------------------|------------|-----|---------------------------------|
| Item | System | PU | Order number |
| 54F | 12/18-9+13 | 100 | 6-36876-□□-L/R-1 |
| | 12/20-9+13 | | 6-36876-84-L/R-1 ^[1] |
| | 12/18-9+13 | | |
| Pivot-rest M6/130 | | | |
| 54G | 12/18-9+13 | 100 | 6-36899-□□-L/R-1 |
| | 12/20-9+13 | | 6-36899-84-L/R-1 ^[1] |
| | 12/18-9+13 | | |

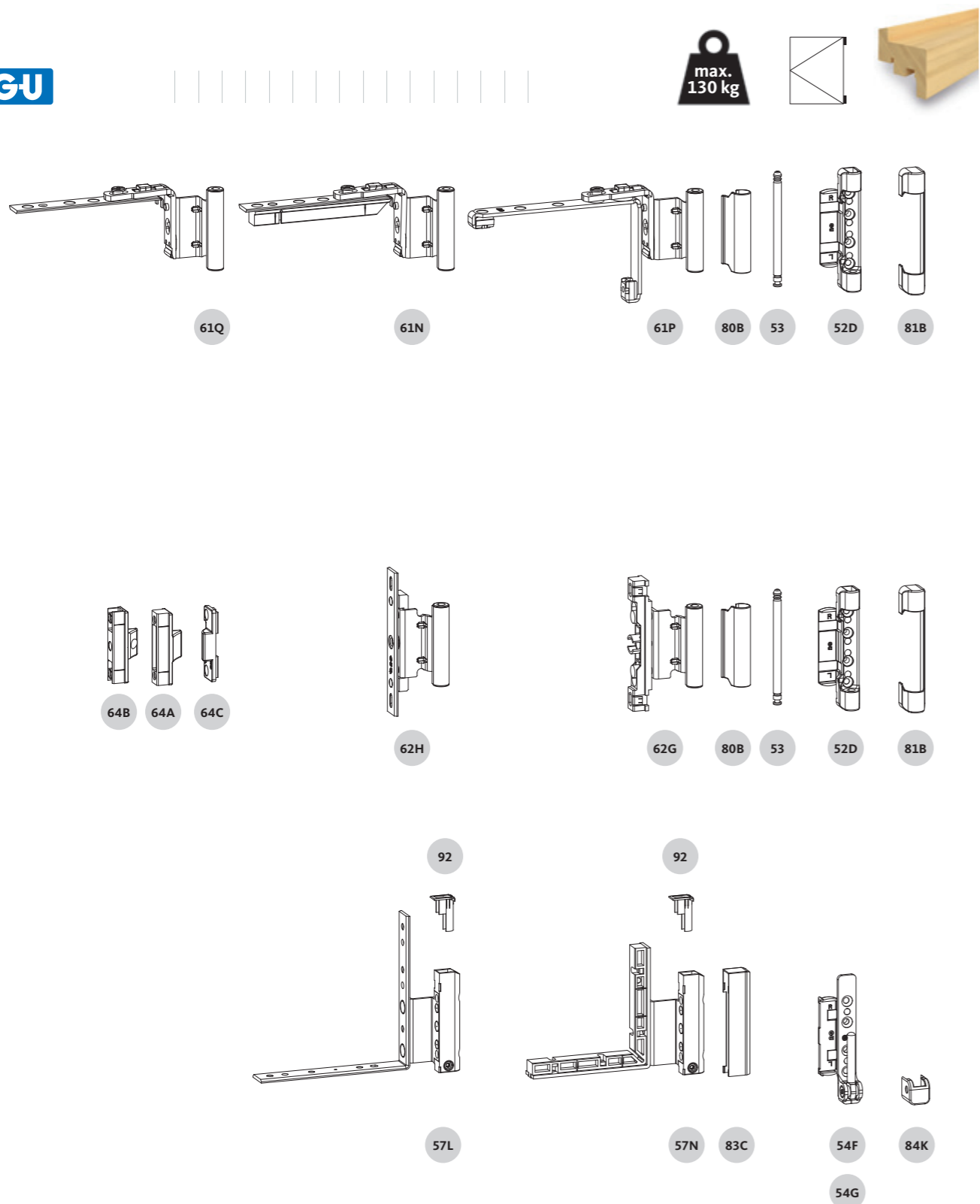
| Cover cap for pivot-rest | | | |
|--------------------------|--------------|-----|----------------|
| Item | Colours | PU | Order number |
| 84K | See page 292 | 100 | 9-42683-00-0-□ |

[1] The drill holes for the 2 additional size 84 pins (8 mm bore hole diameter / length 5 mm) are 21.6 mm apart on the axis of the fixing screws. See installation drawing 0-46605.

- ### General information
- For Tilt&Turn: with T&T additional stay (8-00734-00-0-1).
Sash weight < 100 kg: SRW 1301-1600, Sash weight > 100 kg: SRW 1201-1600
 - For Tilt-First: with TF additional stay (G-45995-00-0-1).
Sash weight < 100 kg: SRW 1301-1600, Sash weight > 100 kg: SRW 1201-1600

UNI-JET M6/12 – Turn-Only sash

Max. sash weight 130 kg



Tested hardware load-bearing capacity

- Max. 130 kg see application diagram 0-45559
- Installation drawing: 0-46605

Order example

Sash overlap
18 or 20
6-39161-□□-L/R-1

UNI-JET M6/12 – Turn-Only sash

Max. sash weight 130 kg



Upper hinge-side

| Turn-Only hinge M6 – without hardware groove | | | |
|--|------------|----|----------------|
| Item | System | PU | Order number |
| 61Q | 12/18-9+13 | 50 | 6-39161-□□-0-1 |
| | 12/20-9+13 | | |

| Turn-Only hinge M6 – with horizontal hardware groove at top | | | |
|---|----------|----|----------------|
| Item | System | PU | Order number |
| 61N | 12/18-9 | 50 | 6-39163-□□-0-1 |
| | 12/20-9 | | 6-39164-□□-0-1 |
| | 12/18-13 | | |
| | 12/20-13 | | |

| Turn-Only hinge M6 – with circumferential hardware groove | | | |
|---|----------|----|----------------|
| Item | System | PU | Order number |
| 61P | 12/18-9 | 50 | 6-39165-□□-0-1 |
| | 12/20-9 | | 6-39166-□□-0-1 |
| | 12/18-13 | | |
| | 12/20-13 | | |

| Cover cap for stay-hinge | | | |
|--------------------------|--------------|-----|----------------|
| Item | Colours | PU | Order number |
| 80B | See page 290 | 100 | 9-47796-01-0-□ |

| Stay-bearing pin | | | |
|------------------|--|-----|----------------|
| Item | | PU | Order number |
| 53 | | 100 | 9-48898-00-0-1 |

| Stay-bearing M6 | | | |
|-----------------|------------|-----|-------------------------------|
| Item | System | PU | Order number |
| 52D | 12/18-9+13 | 100 | 6-36050-□□-0-1 |
| | 12/20-9+13 | | 6-36050-84-0-1 ^[1] |
| | 12/18-9+13 | | |

| Cover cap for stay-bearing | | | |
|----------------------------|--------------|-----|----------------|
| Item | Colours | PU | Order number |
| 81B | See page 291 | 100 | 9-47334-01-0-□ |

Centre hinge-side

| Centre-closer, concealed, sash part (adjustable) | | | |
|--|--|-----|----------------|
| Item | | PU | Order number |
| 64B | | 100 | 6-34229-00-0-1 |

| Centre-closer, concealed, sash part (not adjustable) | | | |
|--|----------------------|-----|----------------|
| Item | | PU | Order number |
| 64A | with hardware groove | 100 | 9-40564-00-0-1 |
| | w/o hardware groove | | 9-40875-00-0-1 |

| Centre-closer, concealed, frame part | | | |
|--------------------------------------|-----------------------|-----|----------------|
| Item | Timber profile system | PU | Order number |
| 64C | flat rebate 18 x 8 | 100 | 9-40872-00-0-1 |
| | flat rebate 20 x 8 | | 9-40872-00-0-1 |
| | flat rebate 24 x 8 | | 9-41850-00-0-1 |
| | flat rebate 30 x 8 | | 9-41850-30-0-1 |

More profile-specific frame components see page 413 onwards.

Lower hinge-side

| Rebate corner-hinge – without hardware groove, without turn-brake | | | |
|---|------------|----|------------------|
| Item | System | PU | Order number |
| 57L | 12/18-9+13 | 50 | 6-36851-□□-L/R-1 |
| | 12/20-9+13 | | |

| Rebate corner-hinge – with hardware groove, without turn-brake | | | |
|--|----------|----|------------------|
| Item | System | PU | Order number |
| 57N | 12/18-9 | 50 | 6-36118-□□-L/R-1 |
| | 12/20-9 | | 6-36120-□□-L/R-1 |
| | 12/18-13 | | |
| | 12/20-13 | | |

| Plug | | | |
|------|--------------|-----|----------------|
| Item | Colours | PU | Order number |
| 92 | See page 294 | 100 | 9-47426-00-0-□ |

| Cover cap for rebate corner-hinge | | | |
|-----------------------------------|--------------|-----|------------------|
| Item | Colours | PU | Order number |
| 83C | See page 293 | 100 | 9-47782-00-L/R-□ |

| Pivot-rest M6/100 | | | |
|-------------------|------------|-----|---------------------------------|
| Item | System | PU | Order number |
| 54F | 12/18-9+13 | 100 | 6-36876-□□-L/R-1 |
| | 12/20-9+13 | | 6-36876-84-L/R-1 ^[1] |
| | 12/18-9+13 | | |

| Pivot-rest M6/130 | | | |
|-------------------|------------|-----|---------------------------------|
| Item | System | PU | Order number |
| 54G | 12/18-9+13 | 100 | 6-36899-□□-L/R-1 |
| | 12/20-9+13 | | 6-36899-84-L/R-1 ^[1] |
| | 12/18-9+13 | | |

| Cover cap for pivot-rest | | | |
|--------------------------|--------------|-----|----------------|
| Item | Colours | PU | Order number |
| 84K | See page 292 | 100 | 9-42683-00-0-□ |

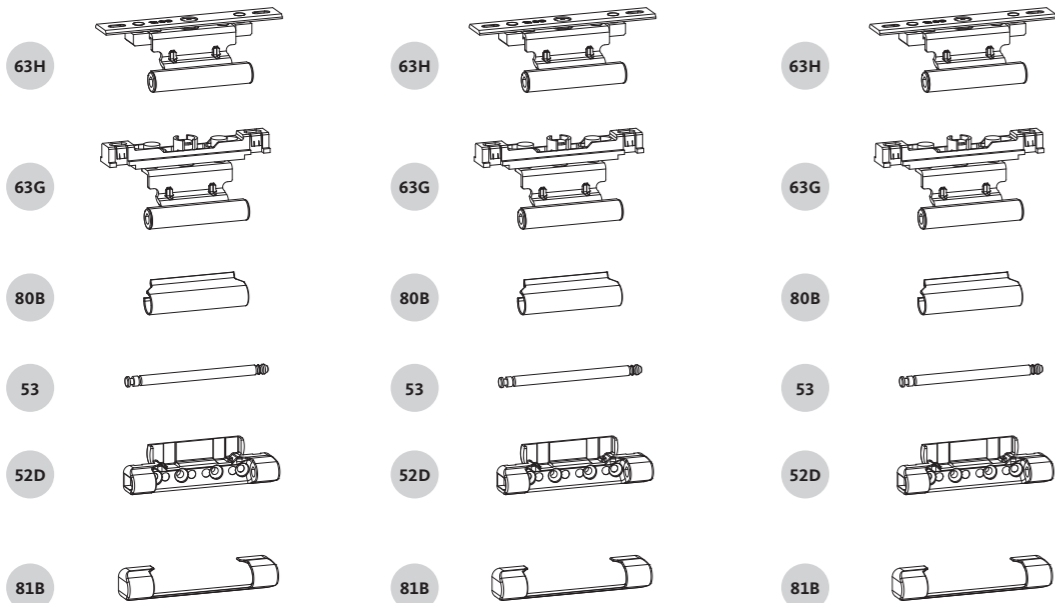
| Turn-Only centre rebate-hinge M6 – without hardware groove | | | |
|--|------------|-----|----------------|
| Item | System | PU | Order number |
| 62H | 12/18-9+13 | 100 | 6-37040-□□-0-1 |
| | 12/20-9+13 | | |

| Turn-Only centre rebate-hinge M6 – with hardware groove | | | |
|---|----------|-----|----------------|
| Item | System | PU | Order number |
| 62G | 12/18-9 | 100 | 6-37041-□□-0-1 |
| | 12/20-9 | | |
| | 12/18-13 | | 6-37042-□□-0-1 |
| | 12/20-13 | | |

[1] The drill holes for the 2 additional size 84 pins (8 mm bore hole diameter / length 5 mm) are 21.6 mm apart on the axis of the fixing screws. See installation drawing 0-46605.

UNI-JET M6/12 – Tilt-Only sash (handle horizontal at top)

Max. sash weight 80 kg



Tested hardware load-bearing capacity

- Max. 80 kg see application diagram 0-46854
- Installation drawing: 0-46794

Order example

Sash overlap
18 or 20
6-37043-□□-0-1

UNI-JET M6/12 – Tilt-Only sash (handle horizontal at top)

Max. sash weight 80 kg

Lower hinge-side

| Tilt-Only hinge M6 – without hardware groove [2] | | | |
|--|------------|-----|----------------|
| Item | System | PU | Order number |
| 63H | 12/18-9+13 | 100 | 6-37043-□□-0-1 |
| | 12/20-9+13 | | |

| Tilt-Only hinge M6 – with hardware groove [2] | | | |
|---|----------|-----|----------------|
| Item | System | PU | Order number |
| 63G | 12/18-9 | 100 | 6-37044-□□-0-1 |
| | 12/20-9 | | |
| | 12/18-13 | | 6-37045-□□-0-1 |
| | 12/20-13 | | |

| Cover cap for stay-hinge | | | |
|--------------------------|--------------|-----|----------------|
| Item | Colours | PU | Order number |
| 80B | See page 290 | 100 | 9-47796-01-0-□ |

| Stay-bearing pin | | | |
|------------------|--|-----|----------------|
| Item | | PU | Order number |
| 53 | | 100 | 9-48898-00-0-1 |

| Stay-bearing M6 | | | |
|-----------------|------------|-----|-------------------------------|
| Item | System | PU | Order number |
| 52D | 12/18-9+13 | 100 | 6-36050-□□-0-1 |
| | 12/20-9+13 | | |
| | 12/18-9+13 | | 6-36050-84-0-1 ^[1] |

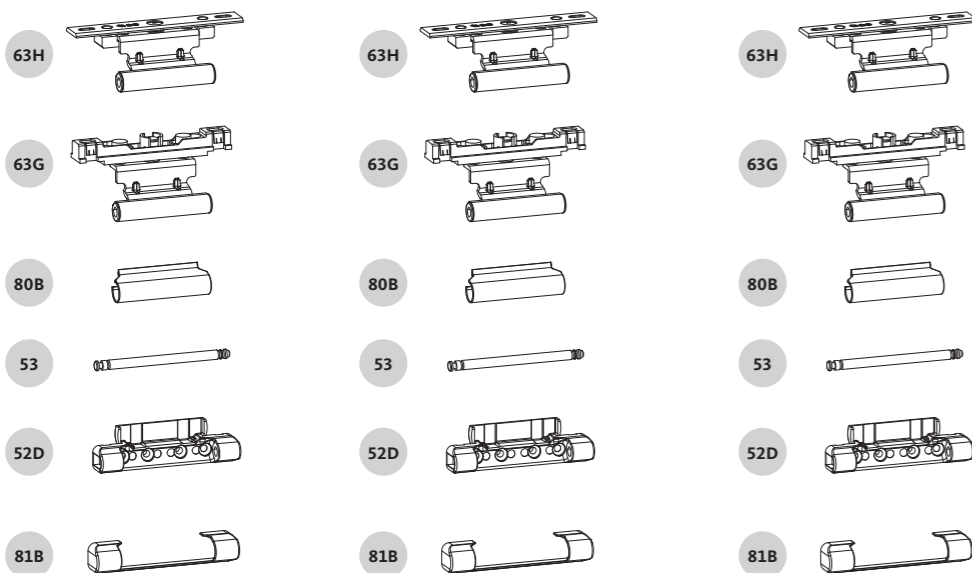
| Cover cap for stay-bearing | | | |
|----------------------------|--------------|-----|----------------|
| Item | Colours | PU | Order number |
| 81B | See page 291 | 100 | 9-47334-01-0-□ |

[1] The drill holes for the 2 additional size 84 pins (8 mm bore hole diameter / length 5 mm) are 21.6 mm apart on the axis of the fixing screws. See installation drawing 0-46605.

[2] SRW < 1200 mm, 2 pcs Tilt-Only hinges.
SRW > 1201 mm, 3 pcs Tilt-Only hinges.
See installation drawing 0-46794.

UNI-JET M6/12 – Tilt-Only sash (handle on the side)

Max. sash weight 100 kg



Tested hardware load-bearing capacity

- Max. 100 kg
- Installation drawing: 0-47277

Order example

Sash overlap
18 or 20
6-36050-□□-0-1

UNI-JET M6/12 – Tilt-Only sash (handle on the side)

Max. sash weight 100 kg



Top (additional) hinge-side

| Cover cap for stay-bearing | | | |
|----------------------------|--------------|-----|----------------|
| Item | Colours | PU | Order number |
| 81B | See page 291 | 100 | 9-47334-01-0-□ |

| Stay-bearing M6 | | | |
|-----------------|------------|-----|-------------------------------|
| Item | System | PU | Order number |
| 52D | 12/18-9+13 | 100 | 6-36050-□□-0-1 |
| | 12/20-9+13 | | 6-36050-84-0-1 ^[1] |
| | 12/18-9+13 | | |

| Stay-bearing pin | | | |
|------------------|---------|-----|----------------|
| Item | Colours | PU | Order number |
| 53 | | 100 | 9-48898-00-0-1 |

| Cover cap for stay-hinge | | | |
|--------------------------|--------------|-----|----------------|
| Item | Colours | PU | Order number |
| 80B | See page 290 | 100 | 9-47796-01-0-□ |

| Tilt-Only stay-arm, AX 9 mm | | | |
|-----------------------------|---------------|----|------------------|
| Item | SRW | PU | Order number |
| 65I | 1320-2220 [2] | 10 | 6-39177-□□-L/R-1 |

| Tilt-Only stay-arm, AX 13 mm | | | |
|------------------------------|---------------|----|------------------|
| Item | SRW | PU | Order number |
| 65K | 1320-2220 [2] | 10 | 6-39178-□□-L/R-1 |

Lower hinge-side

| Tilt-Only hinge M6 – without hardware groove [3] | | | |
|--|------------|-----|----------------|
| Item | System | PU | Order number |
| 63H | 12/18-9+13 | 100 | 6-37043-□□-0-1 |
| | 12/20-9+13 | | |

| Tilt-Only hinge M6 – with hardware groove [3] | | | |
|---|----------|-----|----------------|
| Item | System | PU | Order number |
| 63G | 12/18-9 | 100 | 6-37044-□□-0-1 |
| | 12/20-9 | | |
| | 12/18-13 | | 6-37045-□□-0-1 |
| | 12/20-13 | | |

| Cover cap for stay-hinge | | | |
|--------------------------|--------------|-----|----------------|
| Item | Colours | PU | Order number |
| 80B | See page 290 | 100 | 9-47796-01-0-□ |

| Stay-bearing pin | | | |
|------------------|---------|-----|----------------|
| Item | Colours | PU | Order number |
| 53 | | 100 | 9-48898-00-0-1 |

| Stay-bearing M6 | | | |
|-----------------|------------|-----|-------------------------------|
| Item | System | PU | Order number |
| 52D | 12/18-9+13 | 100 | 6-36050-□□-0-1 |
| | 12/20-9+13 | | 6-36050-84-0-1 ^[1] |
| | 12/18-9+13 | | |

| Cover cap for stay-bearing | | | |
|----------------------------|--------------|-----|----------------|
| Item | Colours | PU | Order number |
| 81B | See page 291 | 100 | 9-47334-01-0-□ |

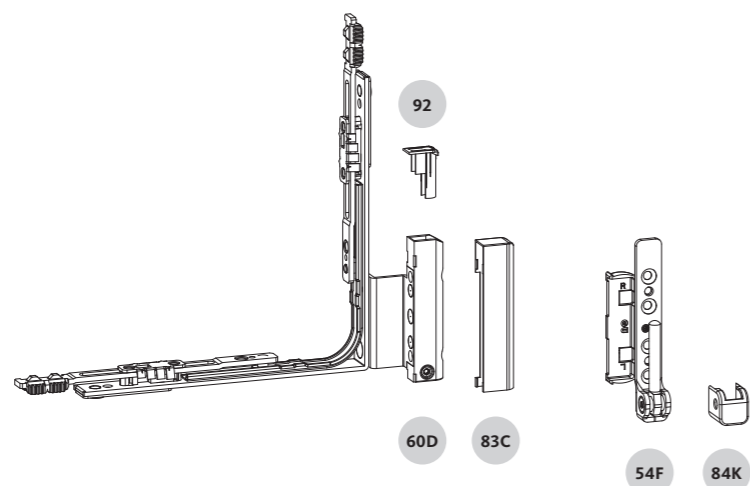
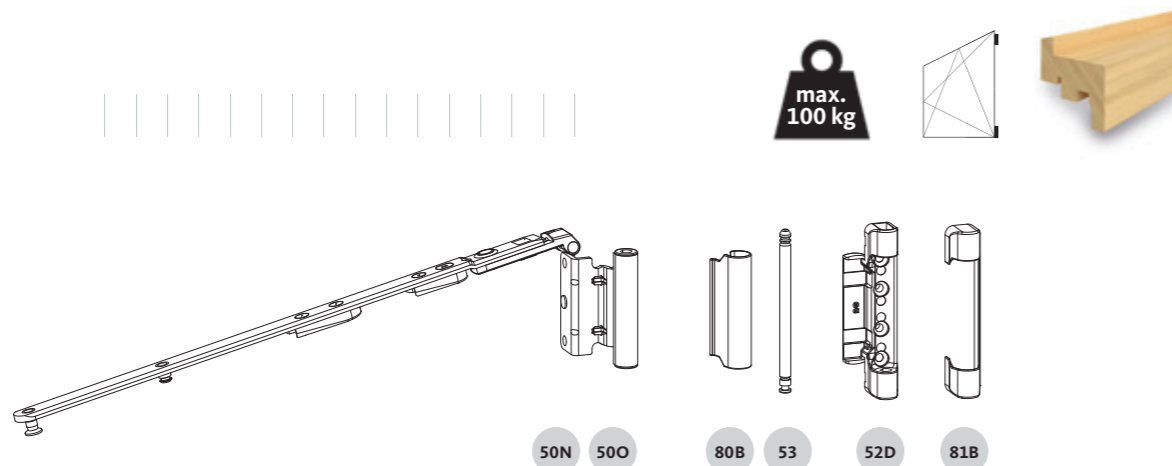
[1] The drill holes for the 2 additional size 84 pins (8 mm bore hole diameter / length 5 mm) are 21.6 mm apart on the axis of the fixing screws. See installation drawing 0-46605.

[2] For wide Tilt-Only sashes up to SRW 2220 mm in combination with Tilt-Only stay-guide 6-32183-□□ and extension 6-32334-00. See installation drawing 0-44401.

[3] SRW < 1200 mm, 2 pcs Tilt-Only hinges. SRW > 1201 mm, 3 pcs Tilt-Only hinges. See installation drawing 0-46794.

UNI-JET M6/12 – Tilt&Turn sash, pitched window

Max. sash weight 100 kg



Tested hardware load-bearing capacity

- Max. 100 kg see application diagrams 0-45877, 0-45878, 0-45879, 0-45880
- Installation drawing: 0-46743

Order example

Sash overlap
18 or 20
6-36865-□□-0-1

UNI-JET M6/12 – Tilt&Turn sash, pitched window

Max. sash weight 100 kg



Upper hinge-side

| Pitched window stay-arm, AX 9 mm | | | |
|-----------------------------------|-----------|----|----------------|
| Item | SRW P | PU | Order number |
| 50N | 410-510 | 10 | 6-36865-□□-0-1 |
| | 511-760 | | 6-36866-□□-0-1 |
| | 761-1210 | | 6-36867-□□-0-1 |
| | 1211-1460 | | 6-36868-□□-0-1 |
| Pitched window stay-arm, AX 13 mm | | | |
| 50O | 410-510 | 10 | 6-36869-□□-0-1 |
| | 511-760 | | 6-36870-□□-0-1 |
| | 761-1210 | | 6-36871-□□-0-1 |
| | 1211-1460 | | 6-36872-□□-0-1 |

| Cover cap for stay-hinge | | | |
|--------------------------|--------------|-----|----------------|
| Item | Colours | PU | Order number |
| 80B | See page 290 | 100 | 9-47796-01-0-□ |

| Stay-bearing pin | | | |
|------------------|--|-----|----------------|
| Item | | PU | Order number |
| 53 | | 100 | 9-48898-00-0-1 |

| Stay-bearing M6 | | | |
|-----------------|------------|-----|-------------------------------|
| Item | System | PU | Order number |
| 52D | 12/18-9+13 | 100 | 6-36050-□□-0-1 |
| | 12/20-9+13 | | 6-36050-84-0-1 ^[1] |
| | 12/18-9+13 | | |

| Cover cap for stay-bearing | | | |
|----------------------------|--------------|-----|----------------|
| Item | Colours | PU | Order number |
| 81B | See page 291 | 100 | 9-47334-01-0-□ |

Lower hinge-side

| Corner-drive rebate-hinge M6 | | | |
|------------------------------|----------|----|------------------|
| Item | System | PU | Order number |
| 60D | 12/18-9 | 10 | 6-36888-□□-L/R-1 |
| | 12/20-9 | | |
| | 12/18-13 | | 6-36889-□□-L/R-1 |
| | 12/20-13 | | |

| Plug | | | |
|------|--------------|-----|----------------|
| Item | Colours | PU | Order number |
| 92 | See page 294 | 100 | 9-47426-00-0-□ |

| Cover cap for rebate corner-hinge | | | |
|-----------------------------------|--------------|-----|------------------|
| Item | Colours | PU | Order number |
| 83C | See page 293 | 100 | 9-47782-00-L/R-□ |

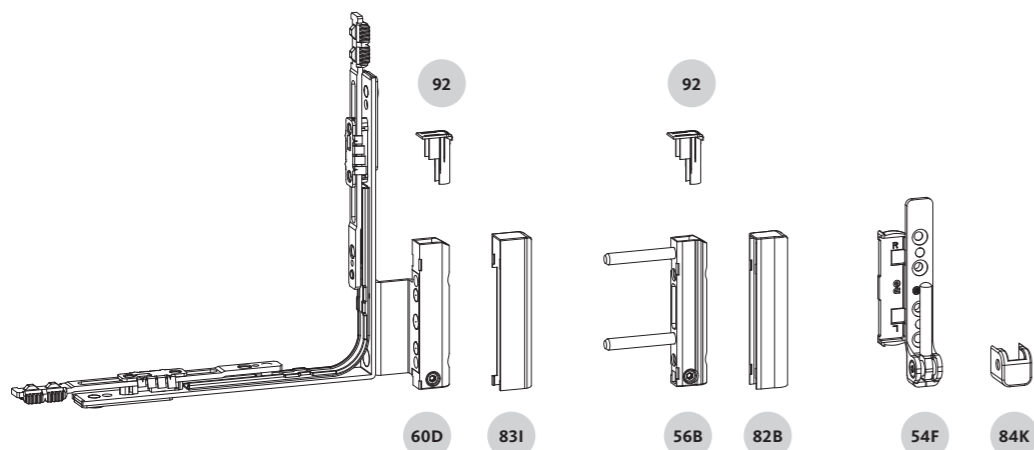
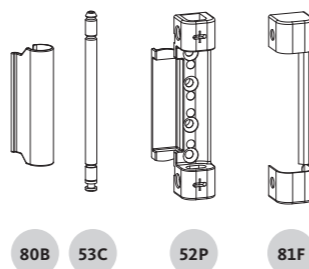
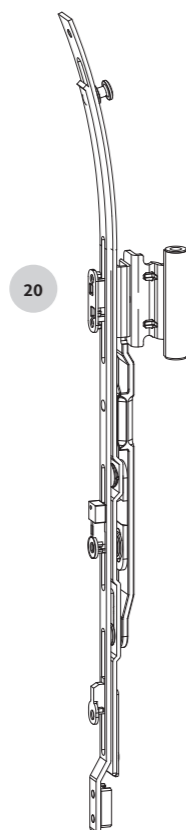
| Pivot-rest M6/100 | | | |
|-------------------|------------|-----|---------------------------------|
| Item | System | PU | Order number |
| 54F | 12/18-9+13 | 100 | 6-36876-□□-L/R-1 |
| | 12/20-9+13 | | |
| | 12/18-9+13 | | 6-36876-84-L/R-1 ^[1] |

| Cover cap for pivot-rest | | | |
|--------------------------|--------------|-----|----------------|
| Item | Colours | PU | Order number |
| 84K | See page 292 | 100 | 9-42683-00-0-□ |

[1] The drill holes for the 2 additional size 84 pins (8 mm bore hole diameter / length 5 mm) are 21.6 mm apart on the axis of the fixing screws. See installation drawing 0-46605.

UNI-JET M6/12 – Tilt&Turn sash, arched window

Max. sash weight 80 kg



Tested hardware load-bearing capacity

- Max. 80 kg see application diagram 0-47727
- Installation drawing 0-47638 for hinge-side
- Installation drawing 0-47303 for central locking system

Order example

Sash overlap
18 or 20
6-39335-□□-0-1

UNI-JET M6/12 – Tilt&Turn sash, arched window

Max. sash weight 80 kg



Upper hinge-side

| Arched stay, AX 9 mm | | | | | |
|-----------------------|----------|----------|-------|----|------------------|
| Item | SRW | SRH RA | LC-MA | PU | Order number |
| 20 | 455-1250 | 470-2090 | 1 | 10 | 6-39334-□□-L/R-1 |
| Arched stay, AX 13 mm | | | | | |
| 20 | 455-1250 | 470-2090 | 1 | 10 | 6-39335-□□-0-1 |

| Cover cap for stay-hinge | | | |
|--------------------------|--------------|-----|----------------|
| Item | Colours | PU | Order number |
| 80B | See page 290 | 100 | 9-47796-01-0-□ |

| Stay-bearing pin | | | |
|------------------|---------|-----|----------------|
| Item | Colours | PU | Order number |
| 53C | | 100 | 9-50141-00-0-1 |

| Stay-bearing | | | |
|--------------|------------|-----|----------------|
| Item | System | PU | Order number |
| 52P | 12/18-9+13 | 100 | 6-39063-□□-0-1 |
| | 12/20-9+13 | | |

| Cover cap for stay-bearing | | | |
|----------------------------|--------------|-----|----------------|
| Item | Colours | PU | Order number |
| 81F | See page 291 | 100 | 9-50710-00-0-□ |

Lower hinge-side

| Corner-drive rebate-hinge M6 | | | |
|------------------------------|----------|----|------------------|
| Item | System | PU | Order number |
| 60D | 12/18-9 | 10 | 6-36888-□□-L/R-1 |
| | 12/20-9 | | |
| | 12/18-13 | | 6-36889-□□-L/R-1 |
| | 12/20-13 | | |

| Cover for corner-drive rebate-hinge | | | |
|-------------------------------------|--------------|-----|------------------|
| Item | Colours | PU | Order number |
| 83I | See page 293 | 100 | 9-47782-00-L/R-□ |

| Plug | | | |
|------|--------------|-----|----------------|
| Item | Colours | PU | Order number |
| 92 | See page 294 | 100 | 9-47426-00-0-□ |

| Drill-in hinge [2] | | | |
|--------------------|--------------------------------|-----|----------------|
| Item | Colours | PU | Order number |
| 56B | Positioning pin Ø 6, L = 37 mm | 100 | 6-36180-03-0-1 |

| Cover cap for drill-in hinge | | | |
|------------------------------|--------------|-----|----------------|
| Item | Colours | PU | Order number |
| 82B | See page 293 | 100 | 9-47783-01-0-□ |

| Pivot-rest M6/100 [2] | | | |
|-----------------------|------------|-----|---------------------------------|
| Item | System | PU | Order number |
| 54F | 12/18-9+13 | 100 | 6-36876-□□-L/R-1 |
| | 12/20-9+13 | | |
| | 12/18-9+13 | | 6-36876-84-L/R-1 ^[1] |

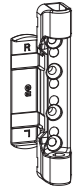
| Cover cap for pivot-rest | | | |
|--------------------------|--------------|-----|----------------|
| Item | Colours | PU | Order number |
| 84K | See page 292 | 100 | 9-42683-00-0-□ |

[1] The drill holes for the 2 additional size 84 pins (8 mm bore hole diameter / length 5 mm) are 21.6 mm apart on the axis of the fixing screws. See installation drawing 0-46605.

[2] When installing pivot-rest M6/100 and the drill-in hinge using drilling jigs 6-38619-09-0-0 (AX 9) or 6-38619-13-0-0 (AX 13), it is necessary to insert a 3.5 mm packer (customer-provided) in the bottom horizontal hardware-groove.

UNI-JET M6/12 – hinge-side accessories

Stay-bearing



| Stay-bearing M6 | | | |
|-----------------|------------|-----|-------------------------------|
| Item | System | PU | Order number |
| 52D | 12/18-9+13 | 100 | 6-36050-18-0-1 |
| | 12/20-9+13 | | 6-36050-20-0-1 |
| | 12/18-9+13 | | 6-36050-84-0-1 ^[1] |

- Compatible with hinge-side M6 – up to 130 kg sash weight
- Drill-hole part (2 x Ø 34 x 6 mm)
- Version with flush overlap

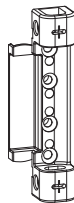
UNI-JET M6/12 – hinge-side accessories

Stay-bearing pin



| Stay-bearing pin | | | |
|------------------|-------------|-----|----------------|
| Item | Description | PU | Order number |
| 53 | | 100 | 9-48898-00-0-1 |

- To be ordered separately with each stay-bearing
- Compatible with the hinge-side D, S and M6 stay-bearings



| Stay-bearing for round arch | | | |
|-----------------------------|------------|-----|----------------|
| Item | System | PU | Order number |
| 52P | 12/18-9+13 | 100 | 6-39063-18-0-1 |
| | 12/20-9+13 | | 6-39063-20-0-1 |



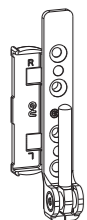
| Stay-bearing pin for round arch | | | |
|---------------------------------|-------------|-----|----------------|
| Item | Description | PU | Order number |
| 53C | | 100 | 9-50141-00-0-1 |

- To be ordered separately with each stay-bearing

[1] The drill holes for the 2 additional size 84 pins (8 mm bore hole diameter / length 5 mm) are 21.6 mm apart on the axis of the fixing screws. See installation drawing 0-46605.

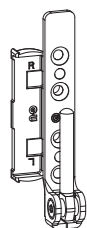
UNI-JET M6/12 – hinge-side accessories

Pivot-rest



| Pivot-rest M6/100 | | | |
|-------------------|------------|-----|---------------------------------|
| Item | System | PU | Order number |
| 54F | 12/18-9+13 | 100 | 6-36876-18-L/R-1 |
| | 12/20-9+13 | | 6-36876-20-L/R-1 |
| | 12/18-9+13 | | 6-36876-84-L/R-1 ^[1] |

- Compatible with hinge-side M6 – up to 100 kg sash weight
- Drill-hole part (2 x Ø 34 x 6 mm)
- Version with flush overlap



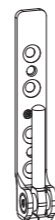
| Pivot-rest M6/130 | | | |
|-------------------|------------|-----|---------------------------------|
| Item | System | PU | Order number |
| 54G | 12/18-9+13 | 100 | 6-36899-18-L/R-1 |
| | 12/20-9+13 | | 6-36899-20-L/R-1 |
| | 12/18-9+13 | | 6-36899-84-L/R-1 ^[1] |

- Compatible with hinge-side M6 – up to 130 kg sash weight
- Drill-hole part (2 x Ø 34 x 6 mm)
- Version with flush overlap

[1] The drill holes for the 2 additional size 84 pins (8 mm bore hole diameter / length 5 mm) are 21.6 mm apart on the axis of the fixing screws. See installation drawing 0-46605.

UNI-JET M6/12 – hinge-side accessories

Pivot-rest / 2 x Ø 34 mm drill-hole part for pivot-rest



| Pivot-rest M6/100 | | | |
|-------------------|------------|-----|----------------|
| Item | System | PU | Order number |
| 54O | 12/18-9+13 | 100 | 6-36875-00-0-1 |
| | 12/20-9+13 | | |

- Compatible with hinge-side M6 – up to 100 kg sash weight
- For 2-part pivot-rest versions
- Only in conjunction with 2 x Ø 34 mm drill-hole part for M6 pivot-rest 9-37919-□□
- Version with flush overlap



| Pivot-rest M6/130 | | | |
|-------------------|------------|-----|----------------|
| Item | System | PU | Order number |
| 54N | 12/18-9+13 | 100 | 6-36875-01-0-1 |
| | 12/20-9+13 | | |

- Compatible with hinge-side M6 – up to 130 kg sash weight
- For 2-part pivot-rest versions
- Only in conjunction with 2 x Ø 34 mm drill-hole part for M6 pivot-rest 9-37919-□□



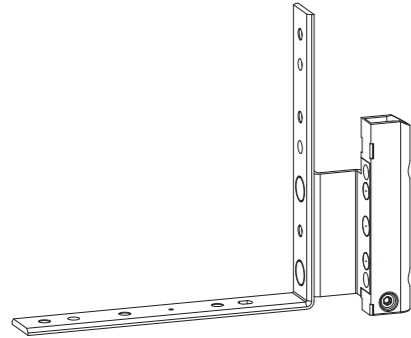
| 2 x Ø 34 mm drill-hole part for M6 pivot-rest | | | |
|---|------------|-----|-------------------------------|
| Item | System | PU | Order number |
| 54M | 12/18-9+13 | 100 | 9-37919-18-0-1 |
| | 12/20-9+13 | | 9-37919-20-0-1 |
| | 12/18-9+13 | | 9-37919-84-0-1 ^[1] |

- Compatible with hinge-side M6 – up to 130 kg sash weight
- For 2-part pivot-rest versions
- Drill-hole part (2 x Ø 34 x 6 mm)
- Only in conjunction with pivot-rest 6-36875-00 (100 kg) or pivot-rest 6-36875-01 (130 kg)
- Version with flush overlap

[1] The drill holes for the 2 additional size 84 pins (8 mm bore hole diameter / length 5 mm) are 21.6 mm apart on the axis of the fixing screws. See installation drawing 0-46605.

UNI-JET M6/12 – hinge-side accessories

Rebate corner-hinge



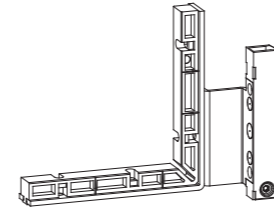
| Rebate corner-hinge – without hardware groove, without turn-brake | | | |
|---|------------|----|------------------|
| Item | System | PU | Order number |
| 57L | 12/18-9+13 | 50 | 6-36851-18-L/R-1 |
| | 12/20-9+13 | | 6-36851-20-L/R-1 |

- Compatible with hinge-side M6 – up to 130 kg sash weight
- Suitable cover cap: 9-47782-00-L/R-□ (available colours refer to page 293)
- Easy to adjust without having to remove cap due to flexible adjusting cap 9-47426 on the rebate corner-hinge (available colours refer to page 294)



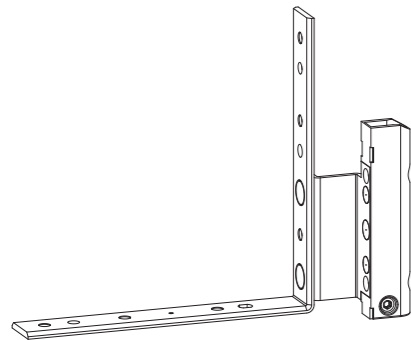
UNI-JET M6/12 – hinge-side accessories

Rebate corner-hinge



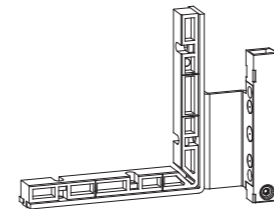
| Rebate corner-hinge – with hardware groove, without turn-brake | | | |
|--|----------|----|------------------|
| Item | System | PU | Order number |
| 57N | 12/18-9 | 50 | 6-36118-18-L/R-1 |
| | 12/20-9 | | 6-36118-20-L/R-1 |
| | 12/18-13 | | 6-36120-18-L/R-1 |
| | 12/20-13 | | 6-36120-20-L/R-1 |

- Compatible with hinge-side M6 – up to 130 kg sash weight
- Suitable cover cap: 9-47782-00-L/R-□ (available colours refer to page 293)
- Easy to adjust without having to remove cap due to flexible adjusting cap 9-47426 on the rebate corner-hinge (available colours refer to page 294)



| Rebate corner-hinge – without hardware groove, with turn-brake | | | |
|--|------------|----|------------------|
| Item | System | PU | Order number |
| 57M | 12/18-9+13 | 50 | 6-36853-18-L/R-1 |
| | 12/20-9+13 | | 6-36853-20-L/R-1 |

- Compatible with hinge-side M6 – up to 130 kg sash weight
- Suitable cover cap: 9-47782-00-L/R-□ (available colours refer to page 293)
- Easy to adjust without having to remove cap due to flexible adjusting cap 9-47426 on the rebate corner-hinge (available colours refer to page 294)
- Adjustable concealed turn-brake prevents the sash from closing of its own accord (also with slight air draughts)

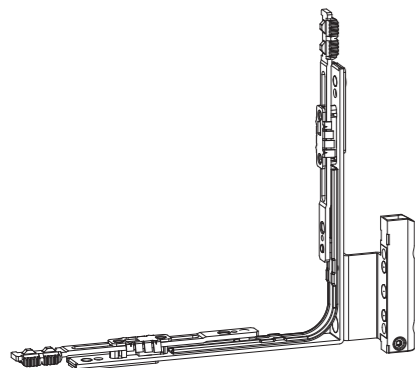


| Rebate corner-hinge – with hardware groove, with turn-brake | | | |
|---|----------|----|------------------|
| Item | System | PU | Order number |
| 57O | 12/18-9 | 50 | 6-36121-18-L/R-1 |
| | 12/20-9 | | 6-36121-20-L/R-1 |
| | 12/18-13 | | 6-36122-18-L/R-1 |
| | 12/20-13 | | 6-36122-20-L/R-1 |

- Compatible with hinge-side M6 – up to 130 kg sash weight
- Suitable cover cap: 9-47782-00-L/R-□ (available colours refer to page 293)
- Easy to adjust without having to remove cap due to flexible adjusting cap 9-47426 on the rebate corner-hinge (available colours refer to page 294)
- Adjustable concealed turn-brake prevents the sash from closing of its own accord (also with slight air draughts)

UNI-JET M6/12 – hinge-side accessories

Corner-drive rebate-hinge / rebate corner-hinge

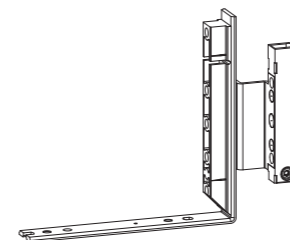


| Corner-drive rebate-hinge M6/100 – with turn-brake | | | |
|--|----------|----|------------------|
| Item | System | PU | Order number |
| 60D | 12/18-9 | 10 | 6-36888-18-L/R-1 |
| | 12/20-9 | | 6-36888-20-L/R-1 |
| | 12/18-13 | | 6-36889-18-L/R-1 |
| | 12/20-13 | | 6-36889-20-L/R-1 |

- Compatible with hinge-side M6 – up to 100 kg sash weight
- The corner-drive rebate-hinge combines the functions of rebate corner-hinge and corner-drive. The integrated corner-drive has the function of deflecting the hinge-side locking system around the corner at the bottom.
- For arched and pitched windows
- Suitable cover cap: 9-47782-00-L/R-□ (available colours refer to page 293)
- Adjustable concealed turn-brake prevents the sash from closing of its own accord (also with slight air draughts)

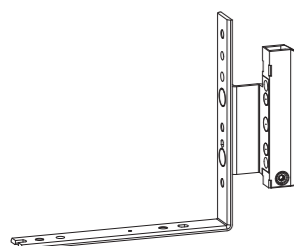
UNI-JET M6/12 – hinge-side accessories

Special solution: higher positioned rebate corner-hinge



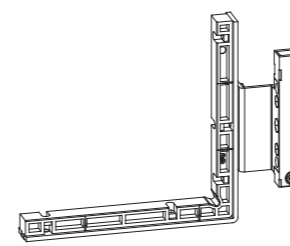
| Higher positioned rebate corner-hinge – with lateral hardware groove, with turn-brake | | | |
|---|----------|----|------------------|
| Item | System | PU | Order number |
| 58M | 12/18-13 | 50 | 6-36887-18-L/R-1 |
| | 12/20-13 | | 6-36887-20-L/R-1 |

- Compatible with hinge-side M6 – up to 130 kg sash weight
- Suitable for barrier-free construction, balcony-doors with low threshold or Fold&Slide systems
- Suitable cover cap: 9-47782-00-L/R-□ (available colours refer to page 293)
- Adjustable concealed turn-brake prevents the sash from closing of its own accord (also with slight air draughts)



| Higher positioned rebate corner-hinge – without hardware groove, with turn-brake | | | |
|--|------------|----|------------------|
| Item | System | PU | Order number |
| 58L | 12/18-9+13 | 50 | 6-36886-18-L/R-1 |
| | 12/20-9+13 | | 6-36886-20-L/R-1 |

- Compatible with hinge-side M6 – up to 130 kg sash weight
- Suitable for barrier-free construction, balcony-doors with low threshold or Fold&Slide systems
- For sashes without circumferential 16 mm hardware groove
- Suitable cover cap: 9-47782-00-L/R-□ (available colours refer to page 293)
- Adjustable concealed turn-brake prevents the sash from closing of its own accord (also with slight air draughts)

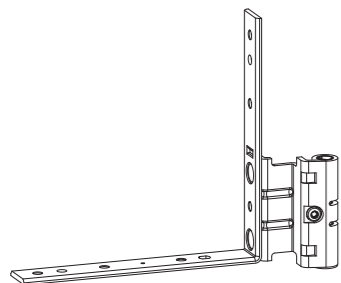


| Higher positioned rebate corner-hinge – with hardware groove, with turn-brake | | | |
|---|----------|----|------------------|
| Item | System | PU | Order number |
| 58N | 12/18-9 | 50 | 6-36884-18-L/R-1 |
| | 12/20-9 | | 6-36884-20-L/R-1 |
| | 12/18-13 | | 6-36885-18-L/R-1 |
| | 12/20-13 | | 6-36885-20-L/R-1 |

- Compatible with hinge-side M6 – up to 130 kg sash weight
- Suitable for barrier-free construction, balcony-doors with low threshold or Fold&Slide systems
- For sash with circumferential 16 mm hardware groove
- Suitable cover cap: 9-47782-00-L/R-□ (available colours refer to page 293)
- Adjustable concealed turn-brake prevents the sash from closing of its own accord (also with slight air draughts)

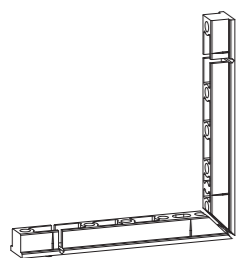
UNI-JET M6/12 – hinge-side accessories

Special solution: no overlap screw-fixing of corner-hinge



| Rebate corner-hinge M6/130 – without hardware groove, with turn-brake | | | |
|---|------------|----|------------------|
| Item | System | PU | Order number |
| 59F | 12/18-9+13 | 50 | 6-38595-18-L/R-1 |
| | 12/20-9+13 | | 6-38595-20-L/R-1 |
| | 12/18-13 | | 6-39068-18-L/R-1 |
| | 12/20-13 | | 6-39068-20-L/R-1 |

- Compatible with hinge-side M6 – up to 130 kg sash weight
- Special hinge-side solution for timber profiles where e.g. there is insufficient overlap height to attach standard M6 rebate corner-hinges
- Screw connection only in sash rebate (not additionally in overlap as is the case with the standard M6 hinge-side)
- Can also be combined with optional groove packer 9-29533-00 (for windows with circumferential 16 mm hardware groove)
- Suitable cover cap: 9-40487-00-L/R-□ or 9-37725-00-L/R-□ (available colours refer to page 295)
- Adjustable concealed turn-brake prevents the sash from closing of its own accord (also with slight air draughts)

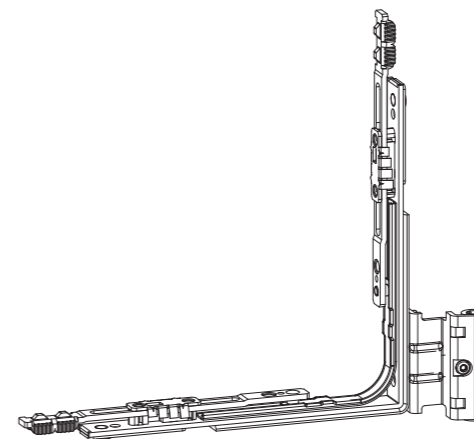


| Hardware-groove packer for rebate corner-hinge | | | |
|--|----------|-----|----------------|
| Item | System | PU | Order number |
| 59H | 12/18-9 | 100 | 9-29533-00-0-1 |
| | 12/20-9 | | |
| | 12/18-13 | | |
| | 12/20-13 | | |

- Compatible with hinge-side M6 – up to 130 kg sash weight
- Suitable for use in sashes with 16 mm circumferential hardware groove in conjunction with rebate corner-hinge 6-38595-□□ and 6-39068-□□

UNI-JET M6/12 – hinge-side accessories

Special solution: no overlap screw-fixing of corner-hinge



| Corner-drive rebate-hinge M6/100 – with turn-brake | | | |
|--|----------|----|------------------|
| Item | System | PU | Order number |
| 60J | 12/18-9 | 10 | 6-39002-18-L/R-1 |
| | 12/18-13 | | 6-39003-18-L/R-1 |
| | 12/20-13 | | 6-39003-20-L/R-1 |

- Compatible with hinge-side M6 – up to 100 kg sash weight
- Special hinge-side solution for timber profiles where e.g. there is insufficient overlap height to attach standard M6 rebate corner-hinges
- Screw-fixing in hardware groove only (not additionally in overlap as is the case with the standard M6 hinge-side)
- Can be used in sashes with circumferential 16 mm hardware groove
- The corner-drive rebate-hinge combines the functions of rebate corner-hinge and corner-drive. The integrated corner-drive has the function of deflecting the hinge-side locking system around the corner at the bottom
- For arched and pitched windows
- Suitable cover cap: 9-40487-00-L/R-□ or 9-37725-00-L/R-□ (available colours refer to page 295)
- Adjustable concealed turn-brake prevents the sash from closing of its own accord (also with slight air draughts)

UNI-JET M6/12 – hinge-side accessories

Cover caps



Cover cap for stay-hinge

| Colours | GU internal ref. | Info | Order number |
|------------------------|------------------|------------------------|-----------------|
| Silver colour | 1N (painted) | EV1 | 9-47796-01-0-1 |
| Champagne | 2N (painted) | EV2 | 9-47796-01-0-2 |
| Vaporised brass | 3R (vaporised) | Vap. brass | 9-47796-01-0-3 |
| Brass colour | 3N (painted) | Brass col. | 9-47796-01-0-3N |
| Medium bronze | 4N (painted) | UC 3 | 9-47796-01-0-4 |
| Dark brown | 5X (coloured) | UC5 | 9-47796-01-0-5 |
| Clay brown | 54 (painted) | RAL 8003 | 9-47796-01-0-54 |
| Black | 6N (painted) | RAL 9005 | 9-47796-01-0-6 |
| Cream white | 7R (painted) | RAL 9001 | 9-47796-01-0-7R |
| Traffic white | 7X (coloured) | RAL 9016 | 9-47796-01-0-7 |
| Stainless-steel effect | 8X (painted) | Stainless-steel effect | 9-47796-01-0-8 |
| Light ivory | AN (painted) | RAL 1015 | 9-47796-01-0-AN |
| Light brown | AM (painted) | F4 light brown | 9-47796-01-0-AM |
| Titanium colour | CL (painted) | Titanium colour | 9-47796-01-0-C |
| Anthracite grey | DP (painted) | RAL 7016 | 9-47796-01-0-DP |

- Packaging: 100 pcs cover caps in cardboard box
- More colours are available on request

UNI-JET M6/12 – hinge-side accessories

Cover caps



Cover cap for stay-bearing

| Colours | GU internal ref. | Info | Order number |
|------------------------|------------------|------------------------|-----------------|
| Silver colour | 1N (painted) | EV1 | 9-47334-01-0-1 |
| Champagne | 2N (painted) | EV2 | 9-47334-01-0-2 |
| Vaporised brass | 3R (vaporised) | Vap. brass | 9-47334-01-0-3 |
| Brass colour | 3N (painted) | Brass col. | 9-47334-01-0-3N |
| Medium bronze | 4N (painted) | UC 3 | 9-47334-01-0-4 |
| Dark brown | 5X (coloured) | UC5 | 9-47334-01-0-5 |
| Clay brown | 54 (painted) | RAL 8003 | 9-47334-01-0-54 |
| Black | 6N (painted) | RAL 9005 | 9-47334-01-0-6 |
| Cream white | 7R (painted) | RAL 9001 | 9-47334-01-0-7R |
| Traffic white | 7X (coloured) | RAL 9016 | 9-47334-01-0-7 |
| Stainless-steel effect | 8X (painted) | Stainless-steel effect | 9-47334-01-0-8 |
| Light ivory | AN (painted) | RAL 1015 | 9-47334-01-0-AN |
| Light brown | AM (painted) | F4 light brown | 9-47334-01-0-AM |
| Titanium colour | CL (painted) | Titanium colour | 9-47334-01-0-C |
| Anthracite grey | DP (painted) | RAL 7016 | 9-47334-01-0-DP |



Cover cap for round-arch stay-bearing

| Colours | GU internal ref. | Info | Order number |
|------------------------|------------------|------------------------|-----------------|
| Silver colour | 1N (painted) | EV1 | 9-50710-00-0-1 |
| Champagne | 2N (painted) | EV2 | 9-50710-00-0-2 |
| Vaporised brass | 3R (vaporised) | Vap. brass | 9-50710-00-0-3 |
| Brass colour | 3N (painted) | Brass col. | 9-50710-00-0-3N |
| Medium bronze | 4N (painted) | UC 3 | 9-50710-00-0-4 |
| Dark brown | 5X (coloured) | UC5 | 9-50710-00-0-5 |
| Clay brown | 54 (painted) | RAL 8003 | 9-50710-00-0-54 |
| Black | 6N (painted) | RAL 9005 | 9-50710-00-0-6 |
| Cream white | 7R (painted) | RAL 9001 | 9-50710-00-0-7R |
| Traffic white | 7X (coloured) | RAL 9016 | 9-50710-00-0-7 |
| Stainless-steel effect | 8X (painted) | Stainless-steel effect | 9-50710-00-0-8 |
| Light ivory | AN (painted) | RAL 1015 | 9-50710-00-0-AN |
| Light brown | AM (painted) | F4 light brown | 9-50710-00-0-AM |
| Titanium colour | CL (painted) | Titanium colour | 9-50710-00-0-C |
| Anthracite grey | DP (painted) | RAL 7016 | 9-50710-00-0-DP |

- Packaging: 100 pcs cover caps in cardboard box
- More colours are available on request

UNI-JET M6/12 – hinge-side accessories

Cover caps



| Cover cap for pivot-rest | | | |
|--------------------------|------------------|------------------------|-----------------|
| Colours | GU internal ref. | Info | Order number |
| Silver colour | 1N (painted) | EV1 | 9-42683-00-0-1 |
| Champagne | 2N (painted) | EV2 | 9-42683-00-0-2 |
| Vaporised brass | 3R (vaporised) | Vap. brass | 9-42683-00-0-3 |
| Brass colour | 3N (painted) | Brass col. | 9-42683-00-0-3N |
| Medium bronze | 4N (painted) | UC 3 | 9-42683-00-0-4 |
| Dark brown | 5X (coloured) | UC5 | 9-42683-00-0-5 |
| Clay brown | 54 (painted) | RAL 8003 | 9-42683-00-0-54 |
| Black | 6N (painted) | RAL 9005 | 9-42683-00-0-6 |
| Cream white | 7R (painted) | RAL 9001 | 9-42683-00-0-7R |
| Traffic white | 7X (coloured) | RAL 9016 | 9-42683-00-0-7 |
| Stainless-steel effect | 8X (painted) | Stainless-steel effect | 9-42683-00-0-8 |
| Light ivory | AN (painted) | RAL 1015 | 9-42683-00-0-AN |
| Light brown | AM (painted) | F4 light brown | 9-42683-00-0-AM |
| Titanium colour | CL (painted) | Titanium colour | 9-42683-00-0-C |
| Anthracite grey | DP (painted) | RAL 7016 | 9-42683-00-0-DP |

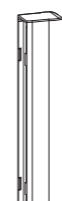
- Packaging: 100 pcs cover caps in cardboard box
- More colours are available on request

UNI-JET M6/12 – hinge-side accessories

Cover caps



| Cover cap for rebate corner-hinge/corner-drive rebate-hinge | | | |
|---|------------------|------------------------|-------------------|
| Colours | GU internal ref. | Info | Order number |
| Silver colour | 1N (painted) | EV1 | 9-47782-00-L/R-1 |
| Champagne | 2N (painted) | EV2 | 9-47782-00-L/R-2 |
| Vaporised brass | 3R (vaporised) | Vap. brass | 9-47782-00-L/R-3 |
| Brass colour | 3N (painted) | Brass col. | 9-47782-00-L/R-3N |
| Medium bronze | 4N (painted) | UC 3 | 9-47782-00-L/R-4 |
| Dark brown | 5X (coloured) | UC5 | 9-47782-00-L/R-5 |
| Clay brown | 54 (painted) | RAL 8003 | 9-47782-00-L/R-54 |
| Black | 6N (painted) | RAL 9005 | 9-47782-00-L/R-6 |
| Cream white | 7R (painted) | RAL 9001 | 9-47782-00-L/R-7R |
| Traffic white | 7X (coloured) | RAL 9016 | 9-47782-00-L/R-7 |
| Stainless-steel effect | 8X (painted) | Stainless-steel effect | 9-47782-00-L/R-8 |
| Light ivory | AN (painted) | RAL 1015 | 9-47782-00-L/R-AN |
| Light brown | AM (painted) | F4 light brown | 9-47782-00-L/R-AM |
| Titanium colour | CL (painted) | Titanium colour | 9-47782-00-L/R-C |
| Anthracite grey | DP (painted) | RAL 7016 | 9-47782-00-L/R-DP |



| Cover cap for drill-in hinge | | | |
|------------------------------|------------------|------------------------|-----------------|
| Colours | GU internal ref. | Info | Order number |
| Silver colour | 1N (painted) | EV1 | 9-47783-01-0-1 |
| Champagne | 2N (painted) | EV2 | 9-47783-01-0-2 |
| Vaporised brass | 3R (vaporised) | Vap. brass | 9-47783-01-0-3 |
| Brass colour | 3N (painted) | Brass col. | 9-47783-01-0-3N |
| Medium bronze | 4N (painted) | UC 3 | 9-47783-01-0-4 |
| Dark brown | 5X (coloured) | UC5 | 9-47783-01-0-5 |
| Clay brown | 54 (painted) | RAL 8003 | 9-47783-01-0-54 |
| Black | 6N (painted) | RAL 9005 | 9-47783-01-0-6 |
| Cream white | 7R (painted) | RAL 9001 | 9-47783-01-0-7R |
| Traffic white | 7X (coloured) | RAL 9016 | 9-47783-01-0-7 |
| Stainless-steel effect | 8X (painted) | Stainless-steel effect | 9-47783-01-0-8 |
| Light ivory | AN (painted) | RAL 1015 | 9-47783-01-0-AN |
| Light brown | AM (painted) | F4 light brown | 9-47783-01-0-AM |
| Titanium colour | CL (painted) | Titanium colour | 9-47783-01-0-C |
| Anthracite grey | DP (painted) | RAL 7016 | 9-47783-01-0-DP |

- Packaging: 100 pcs cover caps in cardboard box
- More colours are available on request

UNI-JET M6/12 – hinge-side accessories

Caps



| Plug | | | |
|------------------------|------------------|------------------------|-----------------|
| Colours | GU internal ref. | Info | Order number |
| Silver colour | 1N (painted) | EV1 | 9-47426-00-0-1 |
| Champagne | 2N (painted) | EV2 | 9-47426-00-0-2 |
| Vaporised brass | 3R (vaporised) | Vap. brass | 9-47426-00-0-3 |
| Brass colour | 3N (painted) | Brass col. | 9-47426-00-0-3N |
| Medium bronze | 4N (painted) | UC 3 | 9-47426-00-0-4 |
| Dark brown | 5X (coloured) | UC5 | 9-47426-00-0-5 |
| Clay brown | 54 (painted) | RAL 8003 | 9-47426-00-0-54 |
| Black | 6N (painted) | RAL 9005 | 9-47426-00-0-6 |
| Cream white | 7R (painted) | RAL 9001 | 9-47426-00-0-7R |
| Traffic white | 7X (coloured) | RAL 9016 | 9-47426-00-0-7 |
| Stainless-steel effect | 8X (painted) | Stainless-steel effect | 9-47426-00-0-8 |
| Light ivory | AN (painted) | RAL 1015 | 9-47426-00-0-AN |
| Light brown | AM (painted) | F4 light brown | 9-47426-00-0-AM |
| Titanium colour | CL (painted) | Titanium colour | 9-47426-00-0-C |
| Anthracite grey | DP (painted) | RAL 7016 | 9-47426-00-0-DP |

- Packaging: 100 pcs cover caps in cardboard box
- More colours are available on request

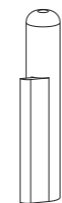
UNI-JET M6/12 – hinge-side accessories

Cover caps



| Cover cap for rebate corner-hinge/corner-drive rebate-hinge (long nose piece) | | | |
|---|------------------|------------------------|-------------------|
| Colours | GU internal ref. | Info | Order number |
| Silver colour | 1N (painted) | EV1 | 9-40487-00-L/R-1 |
| Champagne | 2N (painted) | EV2 | 9-40487-00-L/R-2 |
| Vaporised brass | 3R (vaporised) | Vap. brass | 9-40487-00-L/R-3 |
| Brass colour | 3N (painted) | Brass col. | 9-40487-00-L/R-3N |
| Medium bronze | 4N (painted) | UC 3 | 9-40487-00-L/R-4 |
| Dark brown | 5X (coloured) | UC5 | 9-40487-00-L/R-5 |
| Clay brown | 54 (painted) | RAL 8003 | 9-40487-00-L/R-54 |
| Black | 6N (painted) | RAL 9005 | 9-40487-00-L/R-6 |
| Cream white | 7R (painted) | RAL 9001 | 9-40487-00-L/R-7R |
| Traffic white | 7X (coloured) | RAL 9016 | 9-40487-00-L/R-7 |
| Stainless-steel effect | 8X (painted) | Stainless-steel effect | 9-40487-00-L/R-8 |
| Light ivory | AN (painted) | RAL 1015 | 9-40487-00-L/R-AN |
| Light brown | AM (painted) | F4 light brown | 9-40487-00-L/R-AM |
| Titanium colour | CL (painted) | Titanium colour | 9-40487-00-L/R-C |
| Anthracite grey | DP (painted) | RAL 7016 | 9-40487-00-L/R-DP |

- Special hinge-side solution for timber profiles where e.g. there is insufficient overlap height to attach standard M6 rebate corner-hinges.
- This cover is equipped with a long nose piece covering the visible area between the overlap and rebate corner-hinge.
- Compatible with
 - rebate corner-hinge 6-38595-□□ and
 - corner-drive rebate-hinge 6-39002-□□ / 6-39003-□□



| Cover cap for rebate corner-hinge/corner-drive rebate-hinge (short nose piece) | | | |
|--|------------------|------------------------|-------------------|
| Colours | GU internal ref. | Info | Order number |
| Silver colour | 1N (painted) | EV1 | 9-37725-00-L/R-1 |
| Champagne | 2N (painted) | EV2 | 9-37725-00-L/R-2 |
| Vaporised brass | 3R (vaporised) | Vap. brass | 9-37725-00-L/R-3 |
| Brass colour | 3N (painted) | Brass col. | 9-37725-00-L/R-3N |
| Medium bronze | 4N (painted) | UC 3 | 9-37725-00-L/R-4 |
| Dark brown | 5X (coloured) | UC5 | 9-37725-00-L/R-5 |
| Clay brown | 54 (painted) | RAL 8003 | 9-37725-00-L/R-54 |
| Black | 6N (painted) | RAL 9005 | 9-37725-00-L/R-6 |
| Cream white | 7R (painted) | RAL 9001 | 9-37725-00-L/R-7R |
| Traffic white | 7X (coloured) | RAL 9016 | 9-37725-00-L/R-7 |
| Stainless-steel effect | 8X (painted) | Stainless-steel effect | 9-37725-00-L/R-8 |
| Light ivory | AN (painted) | RAL 1015 | 9-37725-00-L/R-AN |
| Light brown | AM (painted) | F4 light brown | 9-37725-00-L/R-AM |
| Titanium colour | CL (painted) | Titanium colour | 9-37725-00-L/R-C |
| Anthracite grey | DP (painted) | RAL 7016 | 9-37725-00-L/R-DP |

- Special hinge-side solution for timber profiles where e.g. there is insufficient overlap height to attach standard M6 rebate corner-hinges.
- This cover is equipped with a short nose piece and used if the rebate corner-hinge butts directly against the overlap.
- Compatible with
 - rebate corner-hinge 6-38595-□□ and
 - corner-drive rebate-hinge 6-39002-□□ / 6-39003-□□

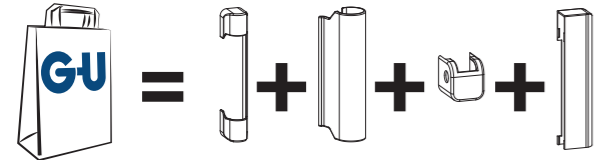
- Packaging: 100 pcs cover caps in cardboard box
- More colours are available on request

UNI-JET M6/12 – hinge-side accessories

Covers set



Table of contents



- 1 set of cover caps in poly-bag
K-18677-00-L/R-□ =
- 1 pc 9-47334-01-0-□ (stay-bearing)
- 1 pc 9-47796-01-0-□ (stay-hinge)
- 1 pc 9-42683-00-0-□ (pivot-rest)
- 1 pc 9-47782-00-L/R-□ (rebate corner-hinge)



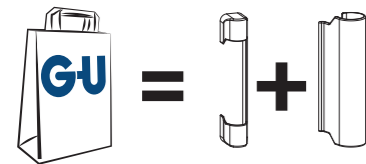
| Cover caps set, hinge-side M6 (Tilt&Turn) | | | |
|---|------------------|------------------------|-------------------|
| Colours | GU internal ref. | Info | Order number |
| Silver colour | 1N (painted) | EV1 | K-18677-00-L/R-1 |
| Champagne | 2N (painted) | EV2 | K-18677-00-L/R-2 |
| Vaporised brass | 3R (vap.) | Vap. brass | K-18677-00-L/R-3 |
| Brass colour | 3N (painted) | Brass col. | K-18677-00-L/R-3N |
| Medium bronze | 4N (painted) | UC 3 | K-18677-00-L/R-4 |
| Dark brown | 5X (dyed) | UC5 | K-18677-00-L/R-5 |
| Clay brown | 54 (painted) | RAL 8003 | K-18677-00-L/R-54 |
| Black | 6N (painted) | RAL 9005 | K-18677-00-L/R-6 |
| Cream white | 7R (painted) | RAL 9001 | K-18677-00-L/R-7R |
| Traffic white | 7X (dyed) | RAL 9016 | K-18677-00-L/R-7 |
| Stainless-steel effect | 8X (painted) | Stainless-steel effect | K-18677-00-L/R-8 |
| Light ivory | AN (painted) | RAL 1015 | K-18677-00-L/R-AN |
| Light brown | AM (painted) | F4 light brown | K-18677-00-L/R-AM |
| Titanium colour | CL (painted) | Titanium colour | K-18677-00-L/R-C |
| Anthracite grey | DP (painted) | RAL 7016 | K-18677-00-L/R-DP |



UNI-JET M6/150

Tilt&Turn / Tilt-First sash – up to max. 150 kg sash weight
Turn-Only sash – up to max. 150 kg sash weight

298
300



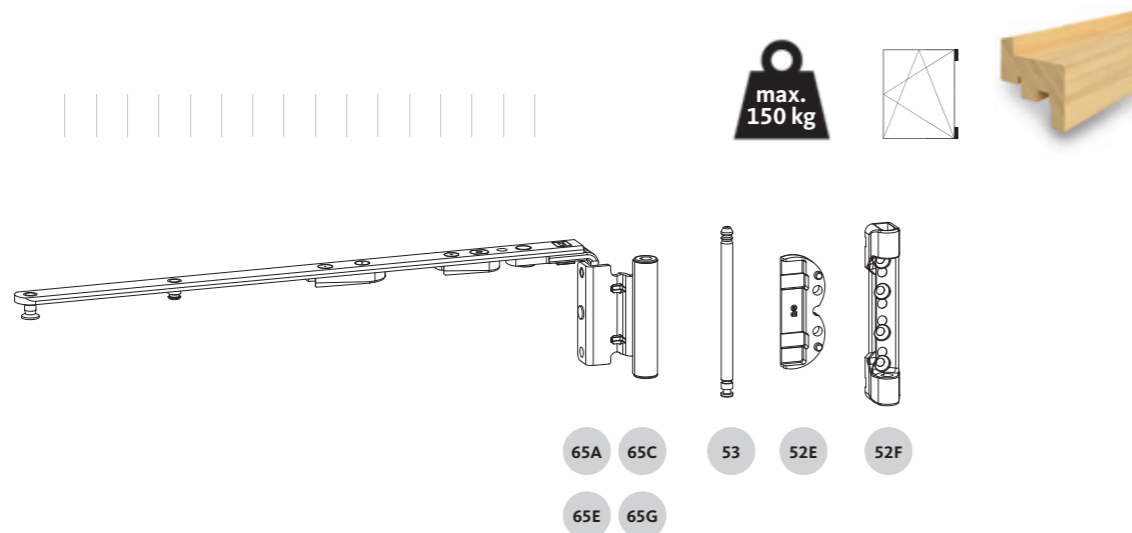
- 1 set of cover caps in poly-bag
K-18682-00-L/R-□ =
- 1 pc 9-47334-01-0-□ (stay-bearing)
- 1 pc 9-47796-01-0-□ (stay-hinge)

| Cover caps set, hinge-side M6 (Turn-Only centre rebate-hinge) | | | |
|---|------------------|------------------------|-----------------|
| Colours | GU internal ref. | Info | Order number |
| Silver colour | 1N (painted) | EV1 | K-18682-00-0-1 |
| Champagne | 2N (painted) | EV2 | K-18682-00-0-2 |
| Vaporised brass | 3R (vaporised) | Vap. brass | K-18682-00-0-3 |
| Brass colour | 3N (painted) | Brass col. | K-18682-00-0-3N |
| Medium bronze | 4N (painted) | UC 3 | K-18682-00-0-4 |
| Dark brown | 5X (coloured) | UC5 | K-18682-00-0-5 |
| Clay brown | 54 (painted) | RAL 8003 | K-18682-00-0-54 |
| Black | 6N (painted) | RAL 9005 | K-18682-00-0-6 |
| Cream white | 7R (painted) | RAL 9001 | K-18682-00-0-7R |
| Traffic white | 7X (coloured) | RAL 9016 | K-18682-00-0-7 |
| Stainless-steel effect | 8X (painted) | Stainless-steel effect | K-18682-00-0-8 |
| Light ivory | AN (painted) | RAL 1015 | K-18682-00-0-AN |
| Light brown | AM (painted) | F4 light brown | K-18682-00-0-AM |
| Titanium colour | CL (painted) | Titanium colour | K-18682-00-0-C |
| Anthracite grey | DP (painted) | RAL 7016 | K-18682-00-0-DP |

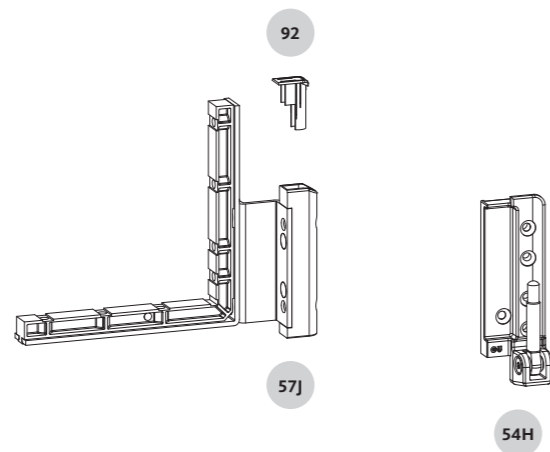
- Packaging: 1 set of cover caps in poly-bag. 100 pcs poly-bag in cardboard box
- More colours are available on request

UNI-JET M6/150 – Tilt&Turn / Tilt-First sash

Max. sash weight 150 kg



- 65A
- 65C
- 53
- 52E
- 52F
- 65E
- 65G



Tested hardware load-bearing capacity

- Max. 150 kg see application diagram 0-47271
- Installation drawing: 0-47272

Order example

Sash overlap
18 or 20
6-39153-□□-L/R-1

UNI-JET M6/150 – Tilt&Turn / Tilt-First sash

Max. sash weight 150 kg



Upper hinge-side

| Tilt&Turn stay-arm, AX 9 mm | | | | |
|-----------------------------|-----------|--------|----|------------------|
| Item | SRW | Length | PU | Order number |
| 65 A | 280-500 | 230 | 10 | 6-39153-□□-L/R-1 |
| | 501-750 | 314 | | 6-39154-□□-L/R-1 |
| | 751-1200 | 455 | | 6-39155-□□-L/R-1 |
| | 1201-1600 | 615 | | 6-39156-□□-L/R-1 |

| Tilt&Turn stay-arm, AX 13 mm | | | | |
|------------------------------|-----------|--------|----|------------------|
| Item | SRW | Length | PU | Order number |
| 65C | 280-500 | 230 | 10 | 6-39157-□□-L/R-1 |
| | 501-750 | 314 | | 6-39158-□□-L/R-1 |
| | 751-1200 | 455 | | 6-39159-□□-L/R-1 |
| | 1201-1600 | 615 | | 6-39160-□□-L/R-1 |

| Tilt-First stay-arm, AX 9 mm | | | | |
|------------------------------|-----------|--------|----|------------------|
| Item | SRW | Length | PU | Order number |
| 65E | 280-500 | 230 | 10 | 6-39169-□□-L/R-1 |
| | 501-750 | 314 | | 6-39170-□□-L/R-1 |
| | 751-1200 | 455 | | 6-39171-□□-L/R-1 |
| | 1201-1600 | 615 | | 6-39172-□□-L/R-1 |

| Tilt-First stay-arm, AX 13 mm | | | | |
|-------------------------------|-----------|--------|----|------------------|
| Item | SRW | Length | PU | Order number |
| 65G | 280-500 | 230 | 10 | 6-39173-□□-L/R-1 |
| | 501-750 | 314 | | 6-39174-□□-L/R-1 |
| | 751-1200 | 455 | | 6-39175-□□-L/R-1 |
| | 1201-1600 | 615 | | 6-39176-□□-L/R-1 |

| Stay-bearing pin | | | |
|------------------|--|-----|----------------|
| Item | | PU | Order number |
| 53 | | 100 | 9-48898-00-0-1 |

| 2 x Ø 34 mm drill-hole part for stay-bearing M6/150 | | | |
|---|------------|-----|----------------|
| Item | System | PU | Order number |
| 52E | 12/18-9+13 | 100 | 9-37918-□□-0-1 |
| | 12/20-9+13 | | |

| M6/150 stay-bearing (positioning pin Ø 6, length = 10 mm) | | | |
|---|------------|-----|----------------|
| Item | System | PU | Order number |
| 52F | 12/18-9+13 | 100 | 6-36026-10-0-1 |
| | 12/20-9+13 | | |

Lower hinge-side

| Rebate corner-hinge M6/150 – without turn-brake | | | |
|---|----------|----|---------------------------------|
| Item | System | PU | Order number |
| 57J | 12/18-9 | 50 | 6-35527-□□-L/R-1 ^[1] |
| | 12/20-9 | | |
| | 12/18-13 | | 6-35528-□□-L/R-1 ^[1] |
| | 12/20-13 | | |

| Plug | | | |
|------|--------------|-----|----------------|
| Item | Colours | PU | Order number |
| 92 | See page 308 | 100 | 9-47426-00-0-□ |

| Pivot-rest M6/150 | | | |
|-------------------|------------|-----|---------------------------------|
| Item | System | PU | Order number |
| 54H | 12/18-9+13 | 100 | 6-35932-□□-L/R-1 ^[1] |
| | 12/20-9+13 | | |

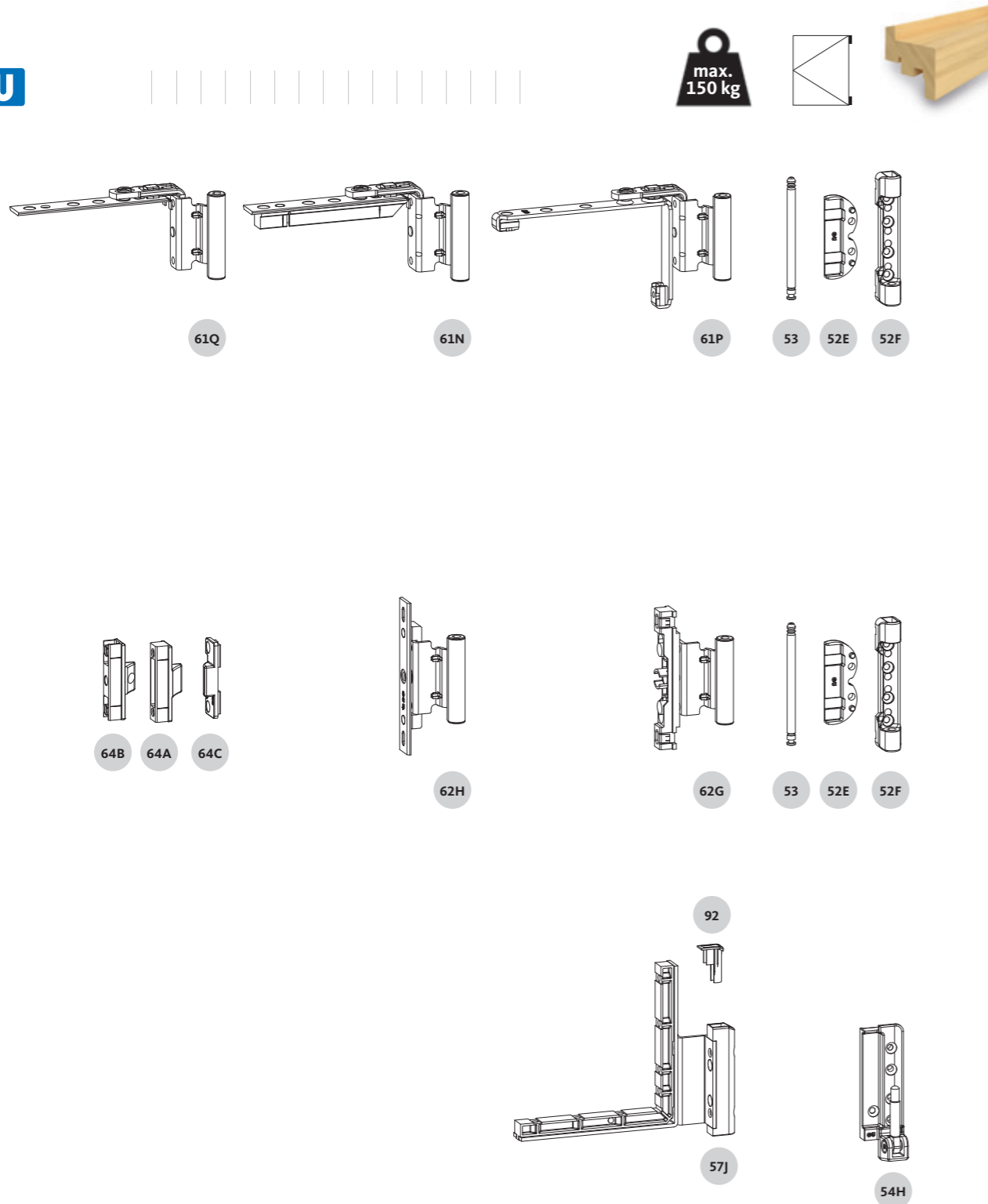
[1] No cover caps available for this product.

General information

- For Tilt&Turn: with T&T additional stay (8-00734-00-0-1).
Sash weight < 100 kg: SRW 1301-1600, sash weight > 100 kg: SRW 1201-1600.
- For Tilt-First: with TF additional stay (G-45995-00-0-1).
Sash weight < 100 kg: SRW 1301-1600, sash weight > 100 kg: SRW 1201-1600.

UNI-JET M6/150 – Turn-Only sash

Max. sash weight 150 kg



Tested hardware load-bearing capacity

- Max. 150 kg see application diagram 0-47271
- Installation drawing: 0-47272

Order example

Sash overlap
18 or 20
6-39161-□□-0-1

UNI-JET M6/150 – Turn-Only sash

Max. sash weight 150 kg



Upper hinge-side

| Turn-Only hinge M6 – without hardware groove | | | |
|--|------------|----|----------------|
| Item | System | PU | Order number |
| 61Q | 12/18-9+13 | 50 | 6-39161-□□-0-1 |
| | 12/20-9+13 | | |

| Turn-Only hinge M6 – with horizontal hardware groove at top | | | |
|---|----------|----|----------------|
| Item | System | PU | Order number |
| 61N | 12/18-9 | 50 | 6-39163-□□-0-1 |
| | 12/20-9 | | |
| | 12/18-13 | | 6-39164-□□-0-1 |
| | 12/20-13 | | |

| Turn-Only hinge M6 – with circumferential hardware groove | | | |
|---|----------|----|----------------|
| Item | System | PU | Order number |
| 61P | 12/18-9 | 50 | 6-39165-□□-0-1 |
| | 12/20-9 | | |
| | 12/18-13 | | 6-39166-□□-0-1 |
| | 12/20-13 | | |

| Stay-bearing pin | | | |
|------------------|--------|-----|----------------|
| Item | System | PU | Order number |
| 53 | | 100 | 9-48898-00-0-1 |

| 2 x Ø 34 mm drill-hole part for stay-bearing M6/150 | | | |
|---|------------|-----|----------------|
| Item | System | PU | Order number |
| 52E | 12/18-9+13 | 100 | 9-37918-□□-0-1 |
| | 12/20-9+13 | | |

| M6/150 stay-bearing (positioning pin Ø 6, length = 10 mm) | | | |
|---|------------|-----|----------------|
| Item | System | PU | Order number |
| 52F | 12/18-9+13 | 100 | 6-36026-10-0-1 |
| | 12/20-9+13 | | |

Lower hinge-side

| Rebate corner-hinge M6/150 – without turn-brake | | | |
|---|----------|----|---------------------------------|
| Item | System | PU | Order number |
| 57J | 12/18-9 | 50 | 6-35527-□□-L/R-1 ^[1] |
| | 12/20-9 | | |
| | 12/18-13 | | 6-35528-□□-L/R-1 ^[1] |
| | 12/20-13 | | |

| Plug | | | |
|------|--------------|-----|----------------|
| Item | Colours | PU | Order number |
| 92 | See page 308 | 100 | 9-47426-00-0-□ |

| Pivot-rest M6/150 | | | |
|-------------------|------------|-----|---------------------------------|
| Item | System | PU | Order number |
| 54H | 12/18-9+13 | 100 | 6-35932-□□-L/R-1 ^[1] |
| | 12/20-9+13 | | |

Centre hinge-side

| Centre-closer, concealed, sash part (adjustable) | | | |
|--|--------|-----|----------------|
| Item | System | PU | Order number |
| 64B | | 100 | 6-34229-00-0-1 |

| Centre-closer, concealed, sash part (not adjustable) | | | |
|--|----------------------|-----|----------------|
| Item | System | PU | Order number |
| 64A | with hardware groove | 100 | 9-40564-00-0-1 |
| | w/o hardware groove | | 9-40875-00-0-1 |

| Centre-closer, concealed, frame part | | | |
|--------------------------------------|-----------------------|-----|----------------|
| Item | Timber profile system | PU | Order number |
| 64C | flat rebate 18 x 8 | 100 | 9-40872-00-0-1 |
| | flat rebate 20 x 8 | | 9-40872-00-0-1 |
| | flat rebate 24 x 8 | | 9-41850-00-0-1 |
| | flat rebate 30 x 8 | | 9-41850-30-0-1 |

More profile-specific frame components see page 413 onwards.

| Turn-Only centre rebate-hinge M6 – without hardware groove | | | |
|--|------------|-----|----------------|
| Item | System | PU | Order number |
| 62H | 12/18-9+13 | 100 | 6-37040-□□-0-1 |
| | 12/20-9+13 | | |

| Turn-Only centre rebate-hinge M6 – with hardware groove | | | |
|---|----------|-----|----------------|
| Item | System | PU | Order number |
| 62G | 12/18-9 | 100 | 6-37041-□□-0-1 |
| | 12/20-9 | | |
| | 12/18-13 | | 6-37042-□□-0-1 |
| | 12/20-13 | | |

[1] No cover caps available for this product.

Table of contents



UNI-JET M8/12

Tilt&Turn / Tilt-First / Turn-Only sash – up to max. 200 kg sash weight

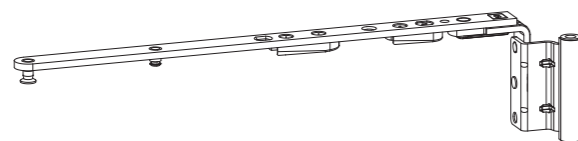
304

Hinge-side accessories

306

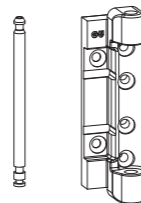
UNI-JET M8/12 – Tilt&Turn / Tilt-First / Turn-Only sash

Max. sash weight 200 kg



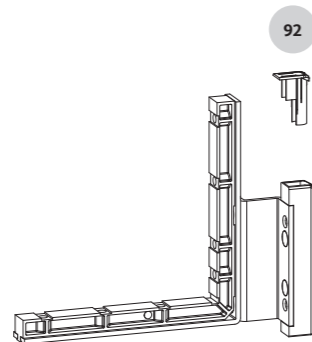
50P 50Q

50R 50S



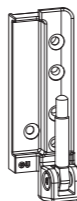
53

52F



92

57K



54K

Tested hardware load-bearing capacity

- Max. 200 kg see application diagram 0-45985
- Installation drawing for hinge-side 0-45984
- Installation drawing for central locking system 0-46792

Order example

Sash overlap
18 or 20
6-36093-□□-L/R-1

UNI-JET M8/12 – Tilt&Turn / Tilt-First / Turn-Only sash

Max. sash weight 200 kg



Upper hinge-side

| Tilt&Turn stay-arm, AX 9 mm | | | | |
|------------------------------|-----------|--------|----|------------------|
| Item | SRW | Length | PU | Order number |
| 50P | 600-750 | 338 | 10 | 6-36093-□□-L/R-1 |
| | 751-1450 | 480 | | 6-36094-□□-L/R-1 |
| | 1451-1700 | 638 | | 6-36095-□□-L/R-1 |
| Tilt&Turn stay-arm, AX 13 mm | | | | |
| 50Q | 600-750 | 338 | 10 | 6-36096-□□-L/R-1 |
| | 751-1450 | 480 | | 6-36097-□□-L/R-1 |
| | 1451-1700 | 638 | | 6-36098-□□-L/R-1 |

| Tilt-First stay-arm, AX 9 mm | | | | |
|-------------------------------|-----------|--------|----|------------------|
| Item | SRW | Length | PU | Order number |
| 50R | 600-750 | 338 | 10 | 6-36130-□□-L/R-1 |
| | 751-1450 | 480 | | 6-36131-□□-L/R-1 |
| | 1451-1700 | 638 | | 6-36132-□□-L/R-1 |
| Tilt-First stay-arm, AX 13 mm | | | | |
| 50S | 600-750 | 338 | 10 | 6-36133-□□-L/R-1 |
| | 751-1450 | 480 | | 6-36134-□□-L/R-1 |
| | 1451-1700 | 638 | | 6-36135-□□-L/R-1 |

| Stay-bearing pin M8 | | | |
|---------------------|--|-----|----------------|
| Item | | PU | Order number |
| 53A | | 100 | 9-47382-00-0-1 |

| Stay-bearing M8/12 | | | |
|--------------------|------------|-----|------------------|
| Item | System | PU | Order number |
| 52G | 12/18-9+13 | 100 | 6-36055-□□-L/R-1 |
| | 12/20-9+13 | | |

Lower hinge-side

| Rebate corner-hinge M8/12 – without turn-brake | | | |
|--|----------|----|---------------------------------|
| Item | System | PU | Order number |
| 57K | 12/18-9 | 50 | 6-35527-□□-L/R-1 ^[1] |
| | 12/20-9 | | |
| | 12/18-13 | | 6-35528-□□-L/R-1 ^[1] |
| | 12/20-13 | | |

| Plug | | | |
|------|--------------|-----|----------------|
| Item | Colours | PU | Order number |
| 92 | See page 308 | 100 | 9-47426-00-0-□ |

| Pivot-rest M8/12 | | | |
|------------------|------------|-----|---------------------------------|
| Item | System | PU | Order number |
| 54K | 12/18-9+13 | 100 | 6-35932-□□-L/R-1 ^[1] |
| | 12/20-9+13 | | |

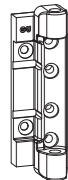
[1] No cover caps available for this product.

General information

- With Tilt&Turn from SRW 1201–1700, use additional stay 8-00734
- With Tilt-First from SRW 1201–1700, use additional stay G-45995
- With application as Turn-Only sash, the travel restrictor 9-33432-00 must be hooked into the corner-drive and fixed with screws

UNI-JET M8/12 – hinge-side accessories

Stay-bearing/pivot-rest

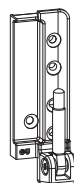


| Stay-bearing M8/12 | | | |
|--------------------|------------|-----|------------------|
| Item | System | PU | Order number |
| 52G | 12/18-9+13 | 100 | 6-36055-18-L/R-□ |
| | 12/20-9+13 | | 6-36055-20-L/R-□ |

- Compatible with hinge-side M8 – up to 200 kg sash weight
- Continuous 82 mm cutout: 8 mm depth
- Version with flush overlap
- Mill the required cutout in the frame as specified in drawing number 0-45984
- Integrated pin safeguard; removal of M8/12 stay-bearing pin according to instructions 0-46909

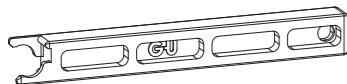
| Stay-bearing pin M8/12 | | | |
|------------------------|--------|-----|----------------|
| Item | System | PU | Order number |
| 53A | | 100 | 9-47382-00-0-1 |

- To be ordered separately with each stay-bearing
- Compatible with hinge-side M8 stay-bearing
- Integrated pin safeguard; removal of M8/12 stay-bearing pin according to instructions 0-46909



| Pivot-rest M8/12 | | | |
|------------------|------------|-----|------------------|
| Item | System | PU | Order number |
| 54K | 12/18-9+13 | 100 | 6-35932-18-L/R-1 |
| | 12/20-9+13 | | 6-35932-20-L/R-1 |

- Compatible with hinge-side M8 – up to 200 kg sash weight
- Continuous 82 mm cutout: 8 mm depth
- Version without flush overlap
- Mill the required cutout in the frame as specified in drawing number 0-45984

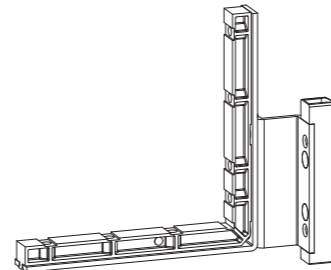


| Socket wrench for pivot-rest M8/12 | | | |
|------------------------------------|--------|----|----------------|
| Item | System | PU | Order number |
| 54J | | 1 | 9-49335-01-0-9 |

- Prevents the bearing pin from tilting while hinging the sash
- Compatible with hinge-side M8 stay-bearing

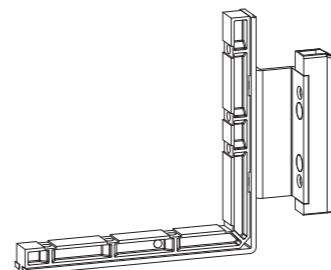
UNI-JET M8/12 – hinge-side accessories

Rebate corner-hinge



| Rebate corner-hinge M8/12 – without turn-brake | | | |
|--|----------|----|------------------|
| Item | System | PU | Order number |
| 57K | 12/18-9 | 50 | 6-35527-18-L/R-1 |
| | 12/20-9 | | 6-35527-20-L/R-1 |
| | 12/18-13 | | 6-35528-18-L/R-1 |
| | 12/20-13 | | 6-35528-20-L/R-1 |

- Compatible with hinge-side M8 – up to 200 kg sash weight
- For sash with circumferential 16 mm hardware groove
- Mill the required cutout in the frame as specified in drawing number 0-45984
- Easy to adjust without having to remove cap due to flexible adjusting cap 9-47426 on the rebate corner-hinge (available colours refer to page 308)



| Higher positioned rebate corner-hinge M8/12 – without turn-brake | | | |
|--|----------|-----|------------------|
| Item | System | PU | Order number |
| 58K | 12/18-9 | 100 | 6-37608-18-L/R-1 |
| | 12/20-9 | | 6-37608-20-L/R-1 |
| | 12/18-13 | | 6-37609-18-L/R-1 |
| | 12/20-13 | | 6-37609-20-L/R-1 |

- Compatible with hinge-side M8 – up to 200 kg sash weight
- Suitable for barrier-free construction, balcony-doors with low threshold or Fold&Slide systems
- For sash with circumferential 16 mm hardware groove
- Easy to adjust without having to remove cap due to flexible adjusting cap 9-47426 on the rebate corner-hinge (available colours refer to page 308)

UNI-JET M8/12 – hinge-side accessories

Plug



Table of contents



| Plug | | | |
|-----------------|------------------|-----------------|----------------|
| Colours | GU internal ref. | Info | Order number |
| Silver colour | 1N (painted) | EV1 | 9-47426-00-0-1 |
| Dark brown | 5X (coloured) | UC5 | 9-47426-00-0-5 |
| Traffic white | 7X (coloured) | RAL 9016 | 9-47426-00-0-7 |
| Titanium colour | CL (painted) | Titanium colour | 9-47426-00-0-C |

- Packaging: 100 pcs cover caps in cardboard box
- More colours are available on request

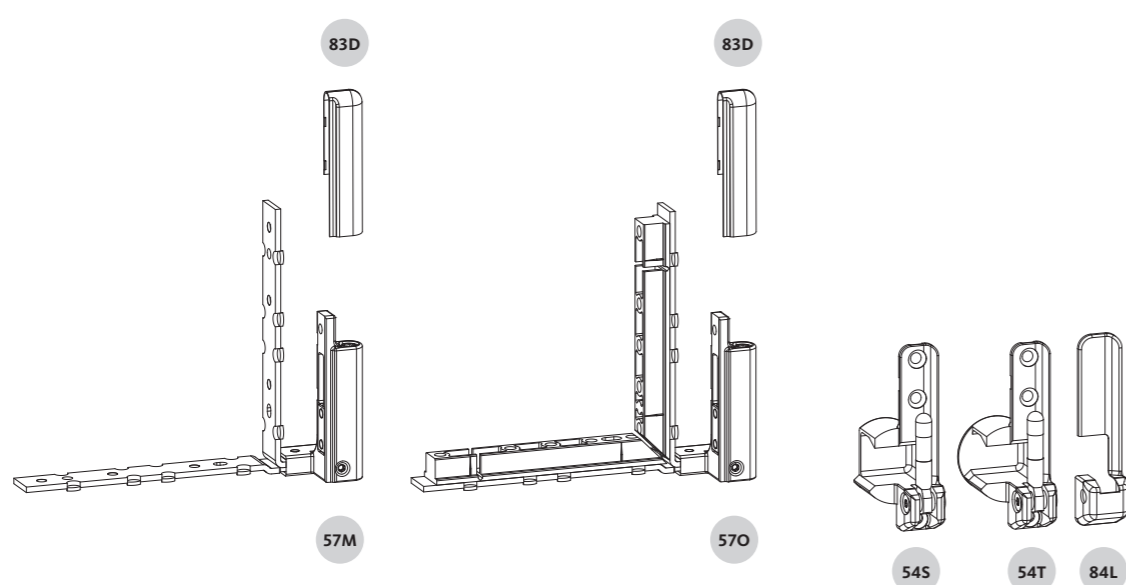
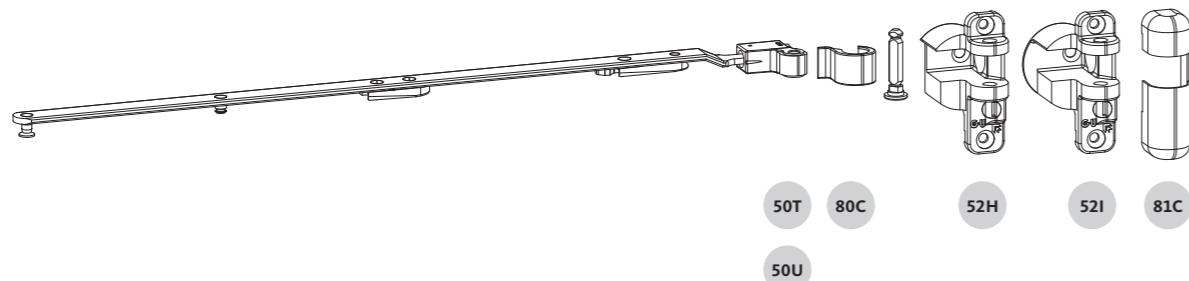


UNI-JET M20/12

| | |
|---|-----|
| Tilt&Turn / Tilt-First sash – up to max. 130 kg sash weight | 310 |
| Turn-Only sash – up to max. 130 kg sash weight | 312 |
| Tilt-Only sash – up to max. 80 kg sash weight | 314 |
| Tilt-Only sash (handle on the side) – up to max. 100 kg sash weight | 316 |
| Tilt&Turn sash, pitched window – up to max. 100 kg sash weight | 318 |
| Tilt&Turn sash, arched window – up to max. 80 kg sash weight | 320 |
| Hinge-side accessories | 322 |

UNI-JET M20/12 – Tilt&Turn / Tilt-First sash

Max. sash weight 130 kg



Tested hardware load-bearing capacity

- Max. 130 kg see application diagram 0-45559
- Installation drawing: 0-44352

Order example

Sash overlap
18 or 20
6-28010-□□-0-1

UNI-JET M20/12 – Tilt&Turn / Tilt-First sash

Max. sash weight 130 kg



Upper hinge-side

Tilt&Turn stay-arm, AX 9 mm

| Item | SRW | Length | PU | Order number |
|------|-----------|--------|----|----------------|
| 50T | 280-500 | 240 | 10 | 6-28010-□□-0-1 |
| | 501-750 | 330 | | 6-28011-□□-0-1 |
| | 751-1200 | 470 | | 6-28012-□□-0-1 |
| | 1201-1600 | 630 | | 6-28013-□□-0-1 |

Tilt-First stay-arm, AX 9 mm

| Item | SRW | Length | PU | Order number |
|------|-----------|--------|----|----------------|
| 50U | 280-500 | 240 | 10 | 6-28120-□□-0-1 |
| | 501-750 | 330 | | 6-28121-□□-0-1 |
| | 751-1200 | 470 | | 6-28122-□□-0-1 |
| | 1201-1600 | 630 | | 6-28123-□□-0-1 |

Cover cap for stay-hinge

| Item | Colours | PU | Order number |
|------|--------------|-----|----------------|
| 80C | See page 329 | 100 | 9-36558-00-0-□ |

Stay-bearing M20 [1]

| Item | System | PU | Order number |
|------|------------|-----|------------------|
| 52H | 12/18+20-9 | 100 | 6-28020-00-L/R-1 |

Stay-bearing M20 [2]

| Item | System | PU | Order number |
|------|------------|-----|------------------|
| 52I | 12/18+20-9 | 100 | 6-28020-18-L/R-1 |

Cover cap for stay-bearing

| Item | Colours | PU | Order number |
|------|--------------|-----|------------------|
| 81C | See page 328 | 100 | 9-36559-00-L/R-□ |

Lower hinge-side

Rebate corner-hinge – without hardware groove, with turn-brake

| Item | System | PU | Order number |
|------|------------|----|------------------|
| 57M | 12/18+20-9 | 50 | 6-28023-00-L/R-1 |

Rebate corner-hinge – with hardware groove, with turn-brake

| Item | System | PU | Order number |
|------|------------|----|------------------|
| 57O | 12/18+20-9 | 50 | 6-30220-00-L/R-1 |

Cover cap for rebate corner-hinge

| Item | Colours | PU | Order number |
|------|--------------|-----|------------------|
| 83D | See page 329 | 100 | 9-36561-00-L/R-□ |

Pivot-rest M20 [3]

| Item | System | PU | Order number |
|------|------------|-----|------------------|
| 54S | 12/18+20-9 | 100 | 6-28022-00-L/R-1 |

Pivot-rest M20 [4]

| Item | System | PU | Order number |
|------|------------|-----|------------------|
| 54T | 12/18+20-9 | 100 | 6-28022-18-L/R-1 |

Cover cap for pivot-rest

| Item | Colours | PU | Order number |
|------|--------------|-----|------------------|
| 84L | See page 330 | 100 | 9-36560-00-L/R-□ |

[1] Item 52H for Euro-groove 7/8 x 4 and Euro-rebate 20 x 8

[2] Item 52I for Euro-rebate 18 x 8

[3] Item 54S for Euro-groove 7/8 x 4 and Euro-rebate 20 x 8

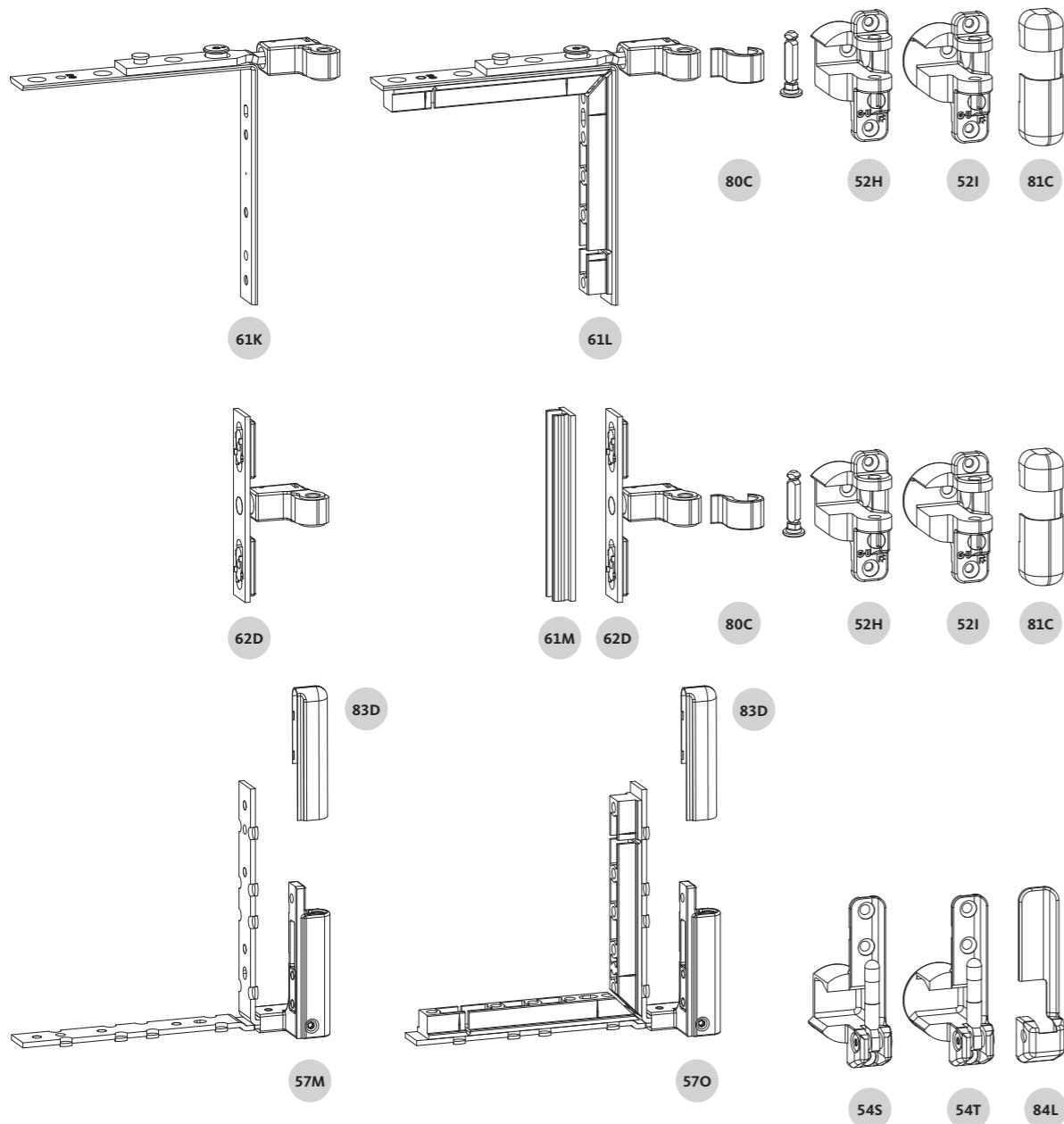
[4] Item 54T for Euro-rebate 18 x 8

General information

- Hinge-side M20/12 with 12 mm clearance, 18 or 20 mm overlap and 9 mm axis
- Stay-bearing includes stay-bearing pin
- For Tilt&Turn: with T&T additional stay (8-00734-00-0-1).
Sash weight < 100 kg: SRW 1301-1600, Sash weight > 100 kg: SRW 1201-1600
- For Tilt-First: with TF additional stay (G-45995-00-0-1).
Sash weight < 100 kg: SRW 1301-1600, Sash weight > 100 kg: SRW 1201-1600

UNI-JET M20/12 – Turn-Only sash

Max. sash weight 130 kg



Tested hardware load-bearing capacity

- Max. 130 kg see application diagram 0-45559
- See installation drawing 0-44352

Order example

Sash overlap
18 or 20
6-30222-□□-0-1

UNI-JET M20/12 – Turn-Only sash

Max. sash weight 130 kg



Upper hinge-side

| Turn-Only hinge M20 – without hardware groove | | | |
|---|---------|-----|----------------|
| Item | System | PU | Order number |
| 61K | 12/18-9 | 100 | 6-30222-□□-0-1 |
| | 12/20-9 | | |

| Turn-Only hinge M20 – without hardware groove | | | |
|---|---------|-----|----------------|
| Item | System | PU | Order number |
| 61L | 12/18-9 | 100 | 6-28030-□□-0-1 |
| | 12/20-9 | | |

| Cover cap for stay-hinge | | | |
|--------------------------|--------------|-----|----------------|
| Item | Colours | PU | Order number |
| 80C | See page 329 | 100 | 9-36558-00-0-□ |

| Stay-bearing M20 [1] | | | |
|----------------------|------------|-----|------------------|
| Item | System | PU | Order number |
| 52H | 12/18+20-9 | 100 | 6-28020-00-L/R-1 |

| Stay-bearing M20 [2] | | | |
|----------------------|------------|-----|------------------|
| Item | System | PU | Order number |
| 52I | 12/18+20-9 | 100 | 6-28020-18-L/R-1 |

| Cover cap for stay-bearing | | | |
|----------------------------|--------------|-----|------------------|
| Item | Colours | PU | Order number |
| 81C | See page 328 | 100 | 9-36559-00-L/R-□ |

Lower hinge-side

| Rebate corner-hinge – without hardware groove, with turn-brake | | | |
|--|------------|----|------------------|
| Item | System | PU | Order number |
| 57M | 12/18+20-9 | 50 | 6-28023-00-L/R-1 |

| Rebate corner-hinge – with hardware groove, with turn-brake | | | |
|---|------------|----|------------------|
| Item | System | PU | Order number |
| 57O | 12/18+20-9 | 50 | 6-30220-00-L/R-1 |

| Cover cap for rebate corner-hinge | | | |
|-----------------------------------|--------------|-----|------------------|
| Item | Colours | PU | Order number |
| 83D | See page 329 | 100 | 9-36561-00-L/R-□ |

| Pivot-rest M20 [3] | | | |
|--------------------|------------|-----|------------------|
| Item | System | PU | Order number |
| 54S | 12/18+20-9 | 100 | 6-28022-00-L/R-1 |

| Pivot-rest M20 [4] | | | |
|--------------------|------------|-----|------------------|
| Item | System | PU | Order number |
| 54T | 12/18+20-9 | 100 | 6-28022-18-L/R-1 |

| Cover cap for pivot-rest | | | |
|--------------------------|--------------|-----|------------------|
| Item | Colours | PU | Order number |
| 84L | See page 330 | 100 | 9-36560-00-L/R-□ |

Centre hinge-side

| Turn-Only centre rebate-hinge M20 – without hardware groove | | | |
|---|------------|-----|----------------|
| Item | System | PU | Order number |
| 62D | 12/18+20-9 | 100 | 6-28032-00-0-1 |

| Hardware-groove packer for Turn-Only centre rebate-hinge | | | |
|--|------------|-----|----------------|
| Item | System | PU | Order number |
| 61M | 12/18+20-9 | 100 | 9-41865-00-0-5 |

| Cover cap for stay-hinge | | | |
|--------------------------|--------------|-----|----------------|
| Item | Colours | PU | Order number |
| 80C | See page 329 | 100 | 9-36558-00-0-□ |

| Stay-bearing M20 [1] | | | |
|----------------------|------------|-----|------------------|
| Item | System | PU | Order number |
| 52H | 12/18+20-9 | 100 | 6-28020-00-L/R-1 |

| Stay-bearing M20 [2] | | | |
|----------------------|------------|-----|------------------|
| Item | System | PU | Order number |
| 52I | 12/18+20-9 | 100 | 6-28020-18-L/R-1 |

| Cover cap for stay-bearing | | | |
|----------------------------|--------------|-----|------------------|
| Item | Colours | PU | Order number |
| 81C | See page 328 | 100 | 9-36559-00-L/R-□ |

[1] Item 52H for Euro-groove 7/8 x 4 and Euro-rebate 20 x 8

[2] Item 52I for Euro-rebate 18 x 8

[3] Item 54S for Euro-groove 7/8 x 4 and Euro-rebate 20 x 8

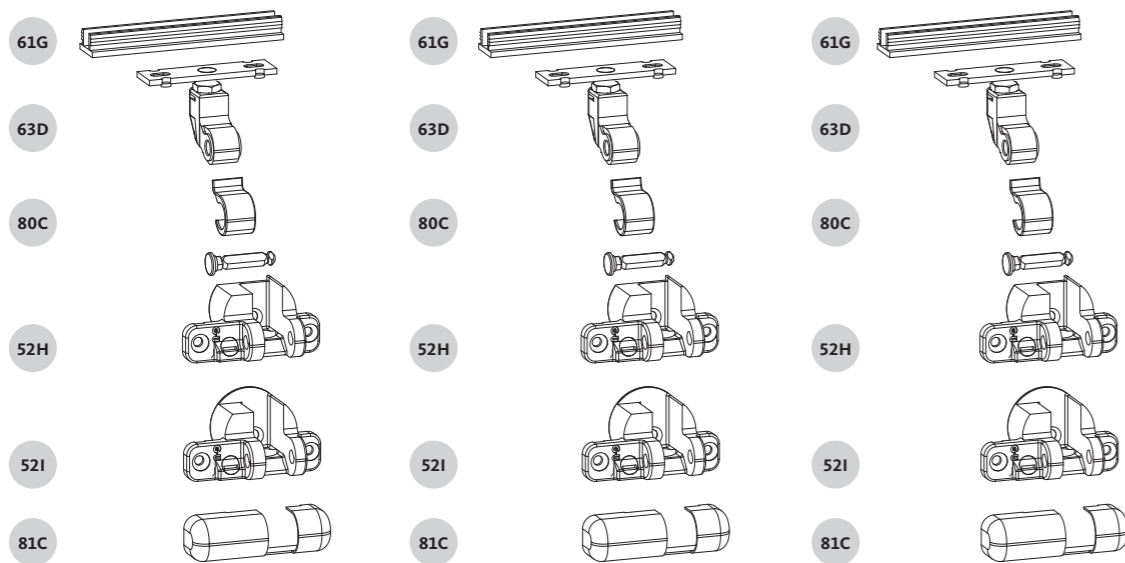
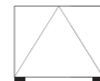
[4] Item 54T for Euro-rebate 18 x 8

General information

- Hinge-side M20/12 with 12 mm clearance, 18 or 20 mm overlap and 9 mm axis
- Stay-bearing includes stay-bearing pin

UNI-JET M20/12 – Tilt-Only sash

Max. sash weight 80 kg



Tested hardware load-bearing capacity

- Max. 80 kg see application diagram 0-46854

Order example

Sash overlap
18 or 20
6-28033-□□-0-1

UNI-JET M20/12 – Tilt-Only sash

Max. sash weight 80 kg



Upper hinge-side

Hardware-groove packer for Tilt-Only hinge [3]

| Item | System | PU | Order number |
|------|------------|-----|----------------|
| 61G | 12/18+20-9 | 100 | 9-30785-00-0-5 |

Tilt-Only hinge M20 [3]

| Item | System | PU | Order number |
|------|---------|-----|----------------|
| 63D | 12/18-9 | 100 | 6-28033-□□-0-1 |
| | 12/20-9 | | |

Cover cap for stay-hinge

| Item | Colours | PU | Order number |
|------|--------------|-----|----------------|
| 80C | See page 329 | 100 | 9-36558-00-0-□ |

Stay-bearing M20 [1]

| Item | System | PU | Order number |
|------|------------|-----|------------------|
| 52H | 12/18+20-9 | 100 | 6-28020-00-L/R-1 |

Stay-bearing M20 [2]

| Item | System | PU | Order number |
|------|------------|-----|------------------|
| 52I | 12/18+20-9 | 100 | 6-28020-18-L/R-1 |

Cover cap for stay-bearing

| Item | Colours | PU | Order number |
|------|--------------|-----|------------------|
| 81C | See page 328 | 100 | 9-36559-00-L/R-□ |

[1] Item 52H for Euro-groove 7/8 x 4 and Euro-rebate 20 x 8

[2] Item 52I for Euro-rebate 18 x 8

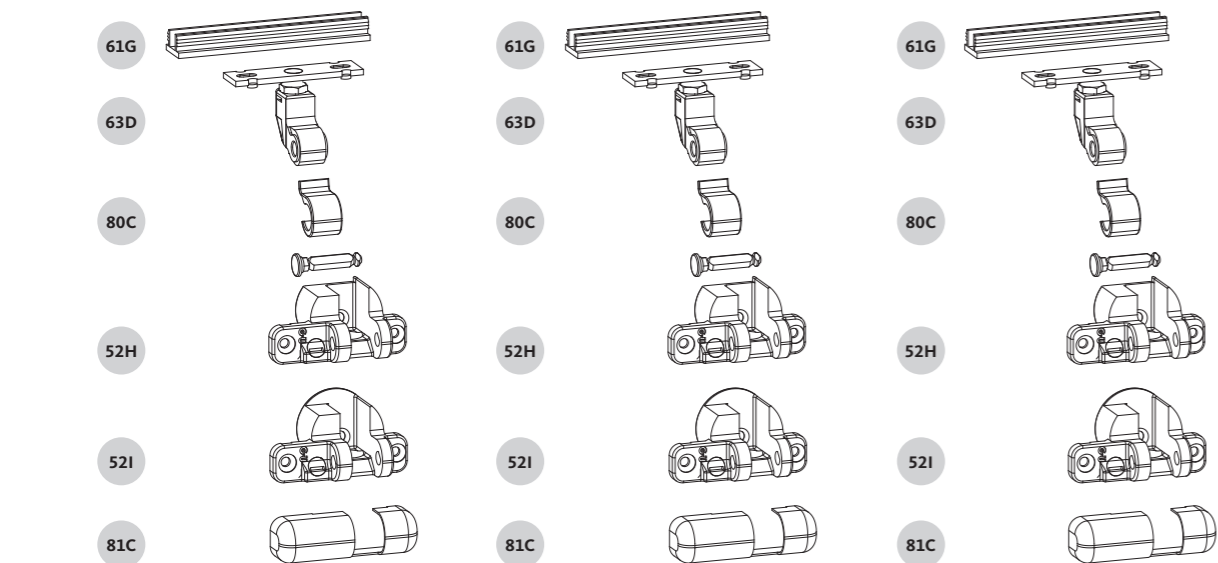
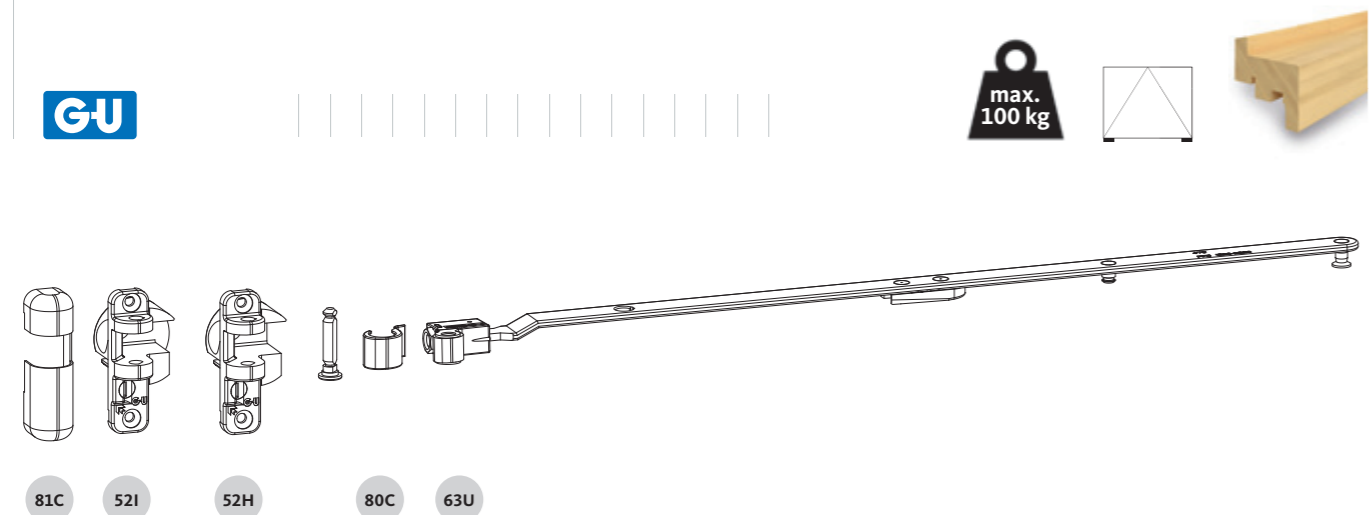
[3] SRW < 1200 mm, 2 pcs Tilt-Only hinges
SRW > 1201 mm, 3 pcs Tilt-Only hinges

General information

- Hinge-side M20/12 with 12 mm clearance, 18 or 20 mm overlap and 9 mm axis
- Stay-bearing includes stay-bearing pin

UNI-JET M20/12 – Tilt-Only sash (handle on the side)

Max. sash weight 100 kg



Tested hardware load-bearing capacity

- Max. 100 kg see application diagram 0-46854

Order example

Sash overlap
18 or 20
6-28020-□□-L/R-1

UNI-JET M20/12 – Tilt-Only sash (handle on the side)

Max. sash weight 100 kg



Upper hinge-side

| Cover cap for stay-bearing | | | |
|----------------------------|--------------|-----|------------------|
| Item | Colours | PU | Order number |
| 81C | See page 328 | 100 | 9-36559-00-L/R-□ |

| Stay-bearing M20 [1] | | | |
|----------------------|------------|-----|------------------|
| Item | System | PU | Order number |
| 52H | 12/18+20-9 | 100 | 6-28020-00-L/R-1 |

| Stay-bearing M20 [2] | | | |
|----------------------|------------|-----|------------------|
| Item | System | PU | Order number |
| 52I | 12/18+20-9 | 100 | 6-28020-18-L/R-1 |

| Cover cap for stay-hinge | | | |
|--------------------------|--------------|-----|----------------|
| Item | Colours | PU | Order number |
| 80C | See page 329 | 100 | 9-36558-00-0-□ |

| Tilt-Only sash stay-arm, AX 9 mm | | | | |
|----------------------------------|-----------|------------|----|----------------|
| Item | SRW | System | PU | Order number |
| 63U | 1320-2220 | 12/18+20-9 | 10 | 6-28026-□□-0-1 |

Lower hinge-side

| Hardware-groove packer for Tilt-Only hinge [3] | | | |
|--|------------|-----|----------------|
| Item | System | PU | Order number |
| 61G | 12/18+20-9 | 100 | 9-30785-00-0-5 |

| Tilt-Only hinge M20 [3] | | | |
|-------------------------|---------|-----|----------------|
| Item | System | PU | Order number |
| 63D | 12/18-9 | 100 | 6-28033-□□-0-1 |
| | 12/20-9 | | |

| Cover cap for stay-hinge | | | |
|--------------------------|--------------|-----|----------------|
| Item | Colours | PU | Order number |
| 80C | See page 329 | 100 | 9-36558-00-0-□ |

| Stay-bearing M20 [1] | | | |
|----------------------|------------|-----|------------------|
| Item | System | PU | Order number |
| 52H | 12/18+20-9 | 100 | 6-28020-00-L/R-1 |

| Stay-bearing M20 [2] | | | |
|----------------------|------------|-----|------------------|
| Item | System | PU | Order number |
| 52I | 12/18+20-9 | 100 | 6-28020-18-L/R-1 |

| Cover cap for stay-bearing | | | |
|----------------------------|--------------|-----|------------------|
| Item | Colours | PU | Order number |
| 81C | See page 328 | 100 | 9-36559-00-L/R-□ |

[1] Item 52H for Euro-groove 7/8 x 4 and Euro-rebate 20 x 8

[2] Item 52I for Euro-rebate 18 x 8

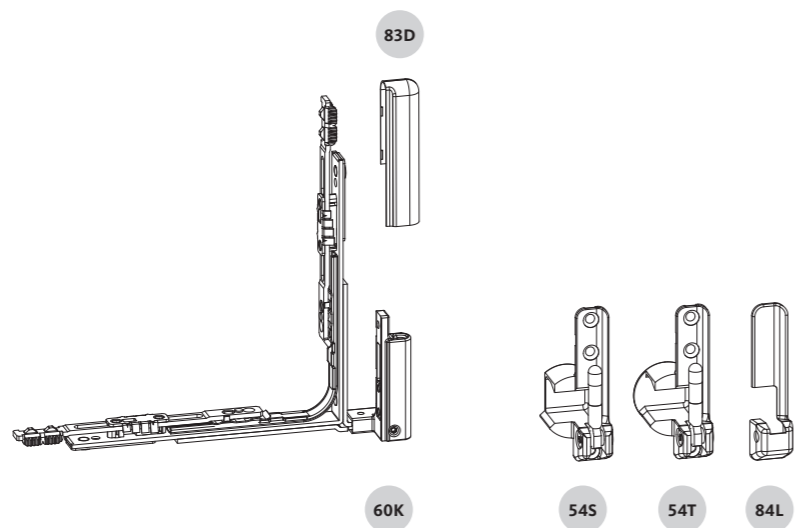
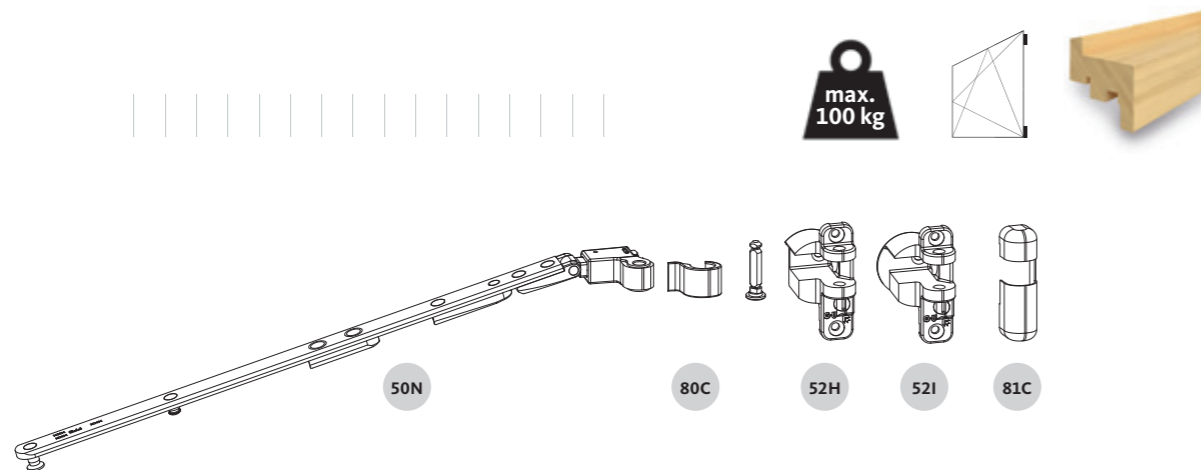
[3] SRW < 1200 mm, 2 pcs Tilt-Only hinges
SRW > 1201 mm, 3 pcs Tilt-Only hinges

General information

- Hinge-side M20/12 with 12 mm clearance, 18 or 20 mm overlap and 9 mm axis
- Stay-bearing includes stay-bearing pin

UNI-JET M20/12 – Tilt&Turn sash, pitched window

Max. sash weight 100 kg



Tested hardware load-bearing capacity

- Max. 100 kg see application diagrams 0-45877, 0-45878, 0-45879, 0-45880
- Installation drawing 0-44494

Order example

Sash overlap
18 or 20
6-28136-□□-L/R-1

UNI-JET M20/12 – Tilt&Turn sash, pitched window

Max. sash weight 100 kg



Upper hinge-side

| Pitched window stay-arm, AX 9 mm | | | | |
|----------------------------------|-----------|------------|-----|----------------|
| Item | SRW | System | PU | Order number |
| 50N | 400-500 | 12/18+20-9 | 100 | 6-28025-24-0-1 |
| | 501-750 | | | 6-28025-33-0-1 |
| | 751-1200 | | | 6-28025-47-0-1 |
| | 1201-1600 | | | 6-28025-63-0-1 |

| Cover cap for stay-hinge | | | |
|--------------------------|--------------|-----|----------------|
| Item | Colours | PU | Order number |
| 80C | See page 329 | 100 | 9-36558-00-0-□ |

| Stay-bearing M20 [1] | | | |
|----------------------|------------|-----|------------------|
| Item | System | PU | Order number |
| 52H | 12/18+20-9 | 100 | 6-28020-00-L/R-1 |

| Stay-bearing M20 [2] | | | |
|----------------------|------------|-----|------------------|
| Item | System | PU | Order number |
| 52I | 12/18+20-9 | 100 | 6-28020-18-L/R-1 |

| Cover cap for stay-bearing | | | |
|----------------------------|--------------|-----|------------------|
| Item | Colours | PU | Order number |
| 81C | See page 328 | 100 | 9-36559-00-L/R-□ |

Lower hinge-side

| Corner-drive rebate-hinge M20 | | | |
|-------------------------------|---------|-----|------------------|
| Item | System | PU | Order number |
| 60K | 12/18-9 | 100 | 6-28136-□□-L/R-1 |
| | 12/20-9 | | |

| Cover cap for rebate corner-hinge | | | |
|-----------------------------------|--------------|-----|------------------|
| Item | Colours | PU | Order number |
| 83D | See page 329 | 100 | 9-36561-00-L/R-□ |

| Pivot-rest M20 [3] | | | |
|--------------------|------------|-----|------------------|
| Item | System | PU | Order number |
| 54S | 12/18+20-9 | 100 | 6-28022-00-L/R-1 |

| Pivot-rest M20 [4] | | | |
|--------------------|------------|-----|------------------|
| Item | System | PU | Order number |
| 54T | 12/18+20-9 | 100 | 6-28022-18-L/R-1 |

| Cover cap for pivot-rest | | | |
|--------------------------|--------------|-----|------------------|
| Item | Colours | PU | Order number |
| 84L | See page 330 | 100 | 9-36560-00-L/R-□ |

[1] Item 52H for Euro-groove 7/8 x 4 and Euro-rebate 20 x 8

[2] Item 52I for Euro-rebate 18 x 8

[3] Item 54S for Euro-groove 7/8 x 4 and Euro-rebate 20 x 8

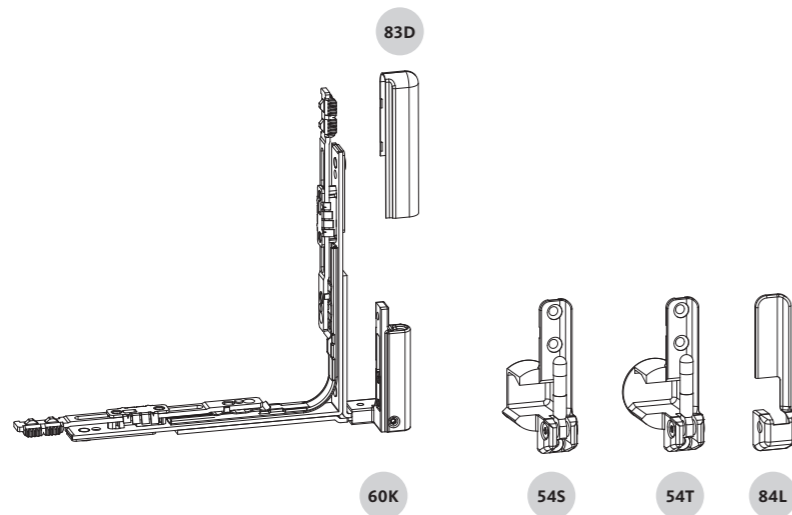
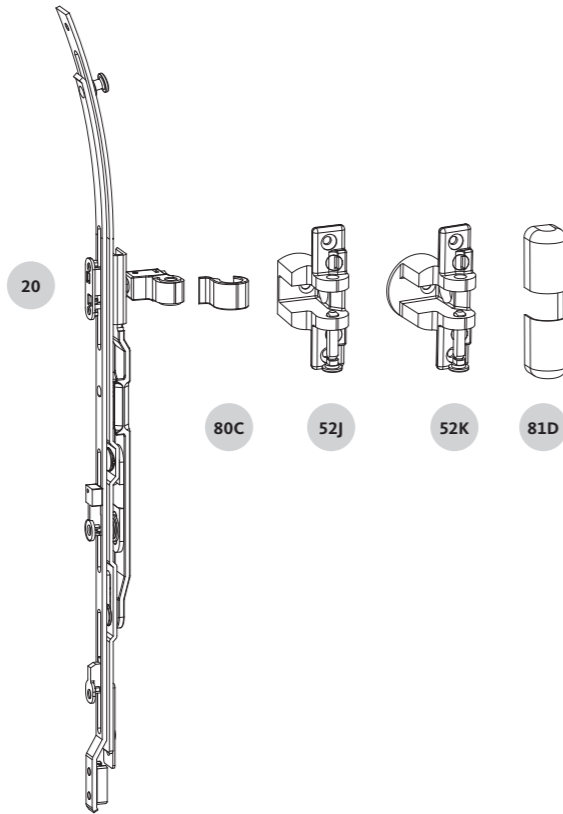
[4] Item 54T for Euro-rebate 18 x 8

General information

- Hinge-side M20 with 12 mm clearance, 18 or 20 mm overlap and 9 mm axis
- Stay-bearing includes stay-bearing pin

UNI-JET M20/12 – Tilt&Turn sash, arched window

Max. sash weight 80 kg



Tested hardware load-bearing capacity

- Max. 80 kg see application diagram 0-45872
- Installation drawings for hinge-side 0-45928, 0-43587
- Installation drawing 0-44462 for central locking system

Order example

Sash overlap
18 or 20
6-28136-□□-L/R-1

UNI-JET M20/12 – Tilt&Turn sash, arched window

Max. sash weight 80 kg



Upper hinge-side

| Arched stay M20 | | | | | |
|-----------------|----------|----------|-------|----|----------------|
| Item | SRW | SRH RA | LC-MA | PU | Order number |
| 20C | 590-1250 | 470-2090 | 1 | 10 | 6-28315-00-0-1 |

| Cover cap for stay-hinge | | | |
|--------------------------|--------------|-----|----------------|
| Item | Colours | PU | Order number |
| 80C | See page 329 | 100 | 9-36558-00-0-□ |

| Stay-bearing M20 [1] | | | |
|----------------------|------------|-----|----------------|
| Item | System | PU | Order number |
| 52J | 12/18+20-9 | 100 | 6-28314-00-0-1 |

| Stay-bearing M20 [2] | | | |
|----------------------|------------|-----|----------------|
| Item | System | PU | Order number |
| 52K | 12/18+20-9 | 100 | 6-28314-18-0-1 |

| Cover cap for stay-bearing | | | |
|----------------------------|--------------|-----|----------------|
| Item | Colours | PU | Order number |
| 81D | See page 328 | 100 | 9-36940-00-0-□ |

Lower hinge-side

| Corner-drive rebate-hinge M20 | | | |
|-------------------------------|---------|-----|------------------|
| Item | System | PU | Order number |
| 60K | 12/18-9 | 100 | 6-28136-□□-L/R-1 |
| | 12/20-9 | | |

| Cover cap for rebate corner-hinge | | | |
|-----------------------------------|--------------|-----|------------------|
| Item | Colours | PU | Order number |
| 83D | See page 329 | 100 | 9-36561-00-L/R-□ |

| Pivot-rest M20 [3] | | | |
|--------------------|------------|-----|------------------|
| Item | System | PU | Order number |
| 54S | 12/18+20-9 | 100 | 6-28022-00-L/R-1 |

| Pivot-rest M20 [4] | | | |
|--------------------|------------|-----|------------------|
| Item | System | PU | Order number |
| 54T | 12/18+20-9 | 100 | 6-28022-18-L/R-1 |

| Cover cap for pivot-rest | | | |
|--------------------------|--------------|-----|------------------|
| Item | Colours | PU | Order number |
| 84L | See page 330 | 100 | 9-36560-00-L/R-□ |

[1] Item 52J for Euro-groove 7/8 x 4 and Euro-rebate 20 x 8

[2] Item 52K for Euro-rebate 18 x 8

[3] Item 54S for Euro-groove 7/8 x 4 and Euro-rebate 20 x 8

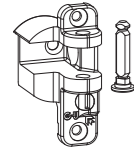
[4] Item 54T for Euro-rebate 18 x 8

General information

- Hinge-side M20/12 with 12 mm clearance, 18 or 20 mm overlap and 9 mm axis
- Stay-bearing includes stay-bearing pin

UNI-JET M20/12 – hinge-side accessories

Stay-bearing

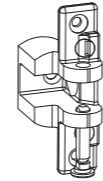


| Stay-bearing M20 | | | |
|------------------|------------|-----|------------------|
| Item | System | PU | Order number |
| 52H | 12/18+20-9 | 100 | 6-28020-00-L/R-1 |

- Compatible with hinge-side M20 – up to 130 kg sash weight
- Can be used with 12 mm clearance, 18 or 20 mm overlap and 9 mm axis
- Can be used in Euro-groove 7/8 x 4 and Euro-rebate 20 x 8
- Drill hole for 1 x Ø 34 mm drill-hole part, milling depth 20 mm
- Version with flush overlap
- Includes stay-bearing pin
Order number for spare part: 9-32915-00-0-1

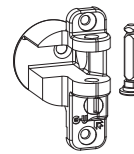
UNI-JET M20/12 – hinge-side accessories

Stay-bearing



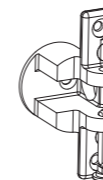
| Stay-bearing M20, centred | | | |
|---------------------------|------------|-----|----------------|
| Item | System | PU | Order number |
| 52J | 12/18+20-9 | 100 | 6-28314-00-0-1 |

- Compatible with hinge-side M20 – up to 130 kg sash weight
- Can be used with 12 mm clearance, 18 or 20 mm overlap and 9 mm axis
- Can be used in Euro-groove 7/8 x 4 and Euro-rebate 20 x 8
- Drill hole for 1 x Ø 34 mm drill-hole part, milling depth 20 mm
- Centred version (used e.g. with arched stays)
- Includes stay-bearing pin
Order number for spare part: 9-32915-00-0-1



| Stay-bearing M20 | | | |
|------------------|------------|-----|------------------|
| Item | System | PU | Order number |
| 52I | 12/18+20-9 | 100 | 6-28020-18-L/R-1 |

- Compatible with hinge-side M20 – up to 130 kg sash weight
- Can be used with 12 mm clearance, 18 or 20 mm overlap and 9 mm axis
- Can be used in Euro-groove 18 x 8
- Drill hole for 1 x Ø 34 mm drill-hole part, milling depth 20 mm
- Version with flush overlap
- Includes stay-bearing pin
Order number for spare part: 9-32915-00-0-1

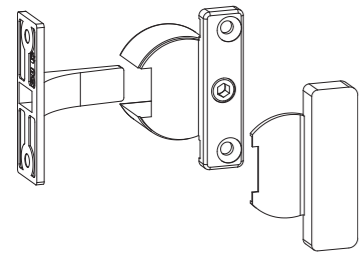


| Stay-bearing M20, centred | | | |
|---------------------------|------------|-----|----------------|
| Item | System | PU | Order number |
| 52K | 12/18+20-9 | 100 | 6-28314-18-0-1 |

- Compatible with hinge-side M20 – up to 130 kg sash weight
- Can be used with 12 mm clearance, 18 or 20 mm overlap and 9 mm axis
- Can be used in Euro-groove 18 x 8
- Drill hole for 1 x Ø 34 mm drill-hole part, milling depth 20 mm
- Centred version (used e.g. with arched stays)
- Includes stay-bearing pin
Order number for spare part: 9-32915-00-0-1

UNI-JET M20/12 – hinge-side accessories

Centre-closer



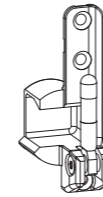
| Centre-closer set | | | | |
|-------------------|---------------|------------------|----------|----------------|
| Item | Colours | GU internal ref. | Info | Order number |
| 52Q | Silver colour | 1N (painted) | EV1 | K-13700-04-0-1 |
| | Dark brown | 5X (coloured) | UC5 | K-13700-04-0-5 |
| | Traffic white | 7X (coloured) | RAL 9016 | K-13700-04-0-7 |

- **Content of centre-closer set:**
- 1 pc 6-25856-00-0-3 (centre-closer, complete)
- 1 pc 9-33604-04-0-3 (male claw)
- 1 pc 9-33605-00-0-□ (cover cap)



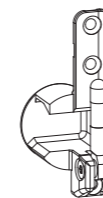
UNI-JET M20/12 – hinge-side accessories

Pivot-rest



| Pivot-rest M20 | | | |
|----------------|------------|-----|------------------|
| Item | System | PU | Order number |
| 54S | 12/18+20-9 | 100 | 6-28022-00-L/R-1 |

- Compatible with hinge-side M20 – up to 130 kg sash weight
- Can be used with 12 mm clearance, 18 or 20 mm overlap and 9 mm axis
- Can be used in Euro-groove 7/8 x 4 and Euro-rebate 20 x 8
- Drill hole for 1 x Ø 34 mm drill-hole part, milling depth 20 mm
- Version with flush overlap

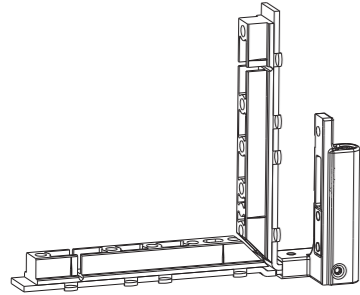


| Pivot-rest M20 | | | |
|----------------|------------|-----|------------------|
| Item | System | PU | Order number |
| 54T | 12/18+20-9 | 100 | 6-28022-18-L/R-1 |

- Compatible with hinge-side M20 – up to 130 kg sash weight
- Can be used with 12 mm clearance, 18 or 20 mm overlap and 9 mm axis
- Can be used in Euro-groove 18 x 8
- Drill hole for 1 x Ø 34 mm drill-hole part, milling depth 20 mm
- Version with flush overlap

UNI-JET M20/12 – hinge-side accessories

Rebate corner-hinge



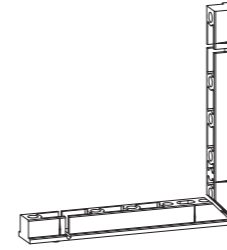
| Rebate corner-hinge – with hardware groove, with turn-brake | | | |
|---|------------|----|------------------|
| Item | System | PU | Order number |
| 57O | 12/18+20-9 | 50 | 6-30220-00-L/R-1 |

- Compatible with hinge-side M20 – up to 130 kg sash weight
- For sash with circumferential 16 mm hardware groove
- Adjustable concealed turn-brake prevents the sash from closing of its own accord (also with slight air draughts)



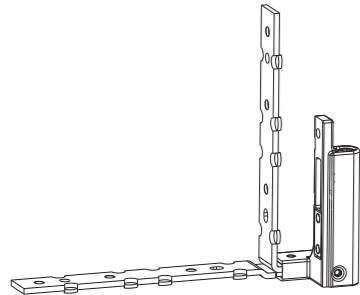
UNI-JET M20/12 – hinge-side accessories

Rebate corner-hinge



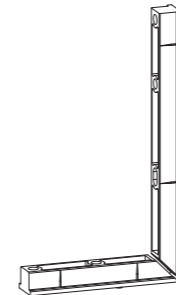
| Hardware-groove packer for rebate corner-hinge | | | |
|--|------------|-----|----------------|
| Item | System | PU | Order number |
| 59H | 12/18-9+13 | 100 | 9-29533-00-0-1 |

- Compatible with the M20 rebate corner-hinges 6-30220, 6-28023, 6-28520



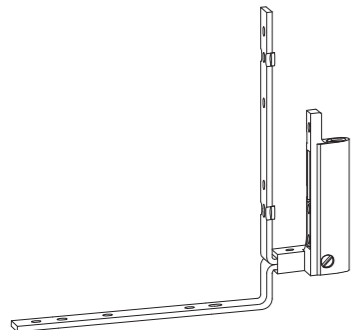
| Rebate corner-hinge – without hardware groove, with turn-brake | | | |
|--|------------|----|------------------|
| Item | System | PU | Order number |
| 57M | 12/18+20-9 | 50 | 6-28023-00-L/R-1 |

- Compatible with hinge-side M20 – up to 130 kg sash weight
- For sashes without circumferential 16 mm hardware groove, can optionally be combined with hardware-groove packer
- Adjustable concealed turn-brake prevents the sash from closing of its own accord (also with slight air draughts)



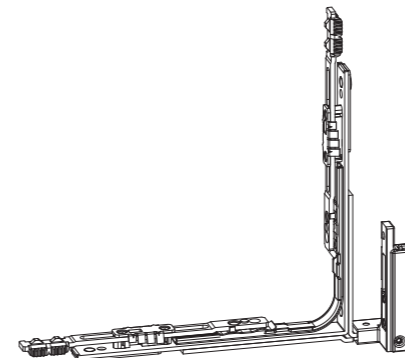
| Hardware-groove packer for higher positioned rebate corner-hinge | | | |
|--|------------|-----|----------------|
| Item | System | PU | Order number |
| 59J | 12/18+20-9 | 100 | 9-44235-00-0-1 |

- Compatible with M20 rebate corner-hinge 6-28520



| Higher positioned rebate corner-hinge – without hardware groove, with turn-brake | | | |
|--|------------|----|------------------|
| Item | System | PU | Order number |
| 58L | 12/18+20-9 | 50 | 6-28520-00-L/R-1 |

- Compatible with hinge-side M20 – up to 130 kg sash weight
- For sashes without circumferential 16 mm hardware groove, can optionally be combined with hardware-groove packer
- Suitable for barrier-free construction and balcony-doors with low threshold
- Adjustable concealed turn-brake prevents the sash from closing of its own accord (also with slight air draughts)

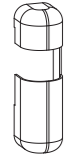


| Corner-drive rebate-hinge M20 | | | |
|-------------------------------|---------|----|------------------|
| Item | System | PU | Order number |
| 60K | 12/18-9 | 10 | 6-28136-18-L/R-1 |
| | 12/20-9 | | 6-28136-20-L/R-1 |

- Compatible with hinge-side M20 – up to 100 kg sash weight
- The corner-drive rebate-hinge combines the functions of rebate corner-hinge and corner-drive. The integrated corner-drive has the function of deflecting the hinge-side locking system around the corner at the bottom
- For arched and pitched windows
- Adjustable concealed turn-brake prevents the sash from closing of its own accord (also with slight air draughts)

UNI-JET M20/12 – hinge-side accessories

Cover caps



Cover cap for stay-bearing

| Colours | GU internal ref. | Info | Order number |
|-----------------|------------------|-----------------|-------------------|
| Silver colour | 1N (painted) | EV1 | 9-36559-00-L/R-1 |
| Brass colour | 3N (painted) | Brass col. | 9-36559-00-L/R-3N |
| Medium bronze | 4N (painted) | UC 3 | 9-36559-00-L/R-4 |
| Dark brown | 5X (coloured) | UC5 | 9-36559-00-L/R-5N |
| Black | 6N (painted) | RAL 9005 | 9-36559-00-L/R-6 |
| Traffic white | 7X (coloured) | RAL 9016 | 9-36559-00-L/R-7 |
| Light brown | AM (painted) | F4 light brown | 9-36559-00-L/R-AM |
| Titanium colour | CL (painted) | Titanium colour | 9-36559-00-L/R-C |

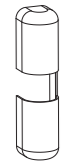
UNI-JET M20/12 – hinge-side accessories

Cover caps



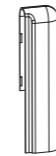
Cover cap for stay-hinge

| Colours | GU internal ref. | Info | Order number |
|-----------------|------------------|-----------------|-----------------|
| Silver colour | 1N (painted) | EV1 | 9-36558-00-0-1 |
| Brass colour | 3N (painted) | Brass col. | 9-36558-00-0-3N |
| Medium bronze | 4N (painted) | UC 3 | 9-36558-00-0-4 |
| Dark brown | 5X (coloured) | UC5 | 9-36558-00-0-5N |
| Black | 6N (painted) | RAL 9005 | 9-36558-00-0-6 |
| Traffic white | 7X (coloured) | RAL 9016 | 9-36558-00-0-7 |
| Light brown | AM (painted) | F4 light brown | 9-36558-00-0-AM |
| Titanium colour | CL (painted) | Titanium colour | 9-36558-00-0-C |



Cover cap for centred stay-bearing

| Colours | GU internal ref. | Info | Order number |
|-----------------|------------------|-----------------|-----------------|
| Silver colour | 1N (painted) | EV1 | 9-36940-00-0-1 |
| Brass colour | 3N (painted) | Brass col. | 9-36940-00-0-3N |
| Medium bronze | 4N (painted) | UC 3 | 9-36940-00-0-4 |
| Dark brown | 5X (coloured) | UC5 | 9-36940-00-0-5N |
| Black | 6N (painted) | RAL 9005 | 9-36940-00-0-6 |
| Traffic white | 7X (coloured) | RAL 9016 | 9-36940-00-0-7 |
| Light brown | AM (painted) | F4 light brown | 9-36940-00-0-AM |
| Titanium colour | CL (painted) | Titanium colour | 9-36940-00-0-C |



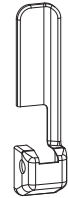
Cover cap for rebate corner-hinge

| Colours | GU internal ref. | Info | Order number |
|-----------------|------------------|-----------------|-------------------|
| Silver colour | 1N (painted) | EV1 | 9-36561-00-L/R-1 |
| Brass colour | 3N (painted) | Brass col. | 9-36561-00-L/R-3N |
| Medium bronze | 4N (painted) | UC 3 | 9-36561-00-L/R-4 |
| Dark brown | 5X (coloured) | UC5 | 9-36561-00-L/R-5N |
| Black | 6N (painted) | RAL 9005 | 9-36561-00-L/R-6 |
| Traffic white | 7X (coloured) | RAL 9016 | 9-36561-00-L/R-7 |
| Light brown | AM (painted) | F4 light brown | 9-36561-00-L/R-AM |
| Titanium colour | CL (painted) | Titanium colour | 9-36561-00-L/R-C |

UNI-JET M20/12 – hinge-side accessories

Cover caps

Table of contents



Cover cap for pivot-rest

| Colours | GU internal ref. | Info | Order number |
|-----------------|------------------|-----------------|-------------------|
| Silver colour | 1N (painted) | EV1 | 9-36560-00-L/R-1 |
| Brass colour | 3N (painted) | Brass col. | 9-36560-00-L/R-3N |
| Medium bronze | 4N (painted) | UC 3 | 9-36560-00-L/R-4 |
| Dark brown | 5X (coloured) | UC5 | 9-36560-00-L/R-5N |
| Black | 6N (painted) | RAL 9005 | 9-36560-00-L/R-6 |
| Traffic white | 7X (coloured) | RAL 9016 | 9-36560-00-L/R-7 |
| Light brown | AM (painted) | F4 light brown | 9-36560-00-L/R-AM |
| Titanium colour | CL (painted) | Titanium colour | 9-36560-00-L/R-C |



UNI-JET M6/4

| | |
|--|-----|
| Tilt&Turn / Tilt-First sash – up to max. 130 kg sash weight | 332 |
| Turn-Only sash – up to max. 130 kg sash weight | 334 |
| Tilt-Only sash (handle at horizontal top) – up to max. 80 kg sash weight | 336 |
| Tilt-Only sash (handle on the side) – up to max. 100 kg sash weight | 338 |
| Tilt&Turn sash, pitched window – up to max. 100 kg sash weight | 340 |
| Tilt&Turn sash, arched window – up to max. 80 kg sash weight | 342 |
| Hinge-side accessories | 344 |

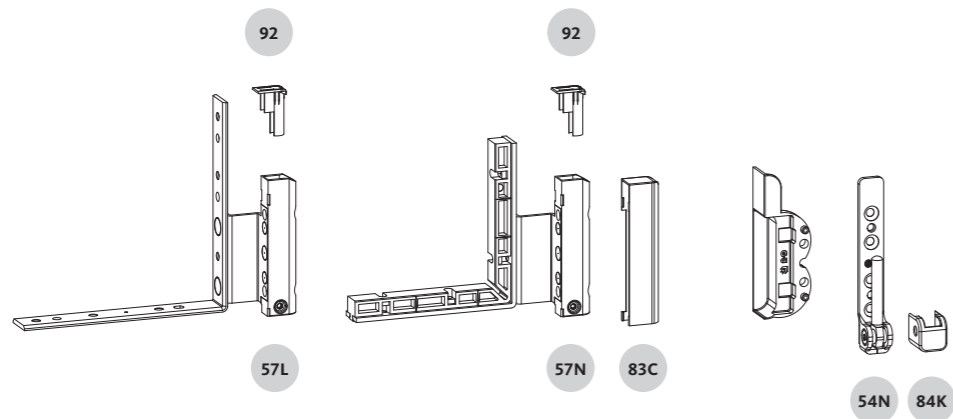
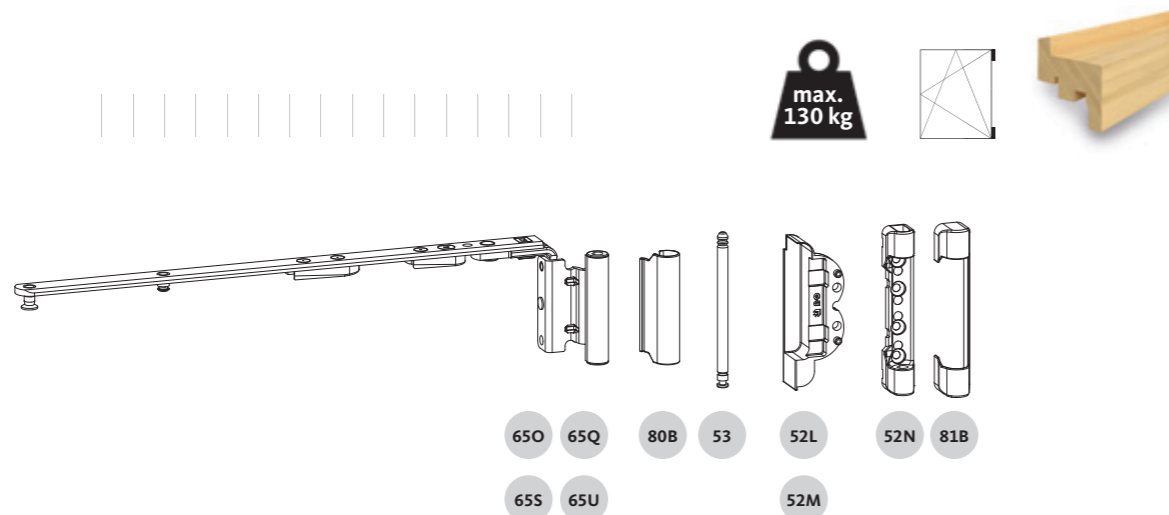


Plug for rebate corner-hinge

| Colours | GU internal ref. | Info | Order number |
|-----------------|------------------|-----------------|----------------------|
| Silver colour | 1N (painted) | EV1 | 9-40154-00-0-1 |
| Brass colour | 3N (painted) | Brass col. | Available on request |
| Medium bronze | 4N (painted) | UC 3 | |
| Dark brown | 5X (coloured) | UC5 | |
| Black | 6N (painted) | RAL 9005 | |
| Traffic white | 7X (coloured) | RAL 9016 | |
| Light brown | AM (painted) | F4 light brown | |
| Titanium colour | CL (painted) | Titanium colour | |

UNI-JET M6/4 – Tilt&Turn / Tilt-First sash

Max. sash weight 130 kg



Tested hardware load-bearing capacity

- Max. 130 kg see application diagram 0-45559
- Installation drawing: 0-46733

Order example

Sash overlap
15 or 18
6-39153-□□-L/R-1

UNI-JET M6/4 – Tilt&Turn / Tilt-First sash

Max. sash weight 130 kg



Upper hinge-side

| Tilt&Turn stay-arm, AX 9 mm | | | | |
|-----------------------------|-----------|--------|----|------------------|
| Item | SRW | Length | PU | Order number |
| 65O | 280-500 | 230 | 10 | 6-39153-□□-L/R-1 |
| | 501-750 | 314 | | 6-39154-□□-L/R-1 |
| | 751-1200 | 455 | | 6-39155-□□-L/R-1 |
| | 1201-1600 | 615 | | 6-39156-□□-L/R-1 |

| Tilt&Turn stay-arm, AX 13 mm | | | | |
|------------------------------|-----------|--------|----|------------------|
| Item | SRW | Length | PU | Order number |
| 65Q | 280-500 | 230 | 10 | 6-39157-□□-L/R-1 |
| | 501-750 | 314 | | 6-39158-□□-L/R-1 |
| | 751-1200 | 455 | | 6-39159-□□-L/R-1 |
| | 1201-1600 | 615 | | 6-39160-□□-L/R-1 |

| Tilt-First stay-arm, AX 9 mm | | | | |
|------------------------------|-----------|--------|----|------------------|
| Item | SRW | Length | PU | Order number |
| 65S | 280-500 | 230 | 10 | 6-39169-□□-L/R-1 |
| | 501-750 | 314 | | 6-39170-□□-L/R-1 |
| | 751-1200 | 455 | | 6-39171-□□-L/R-1 |
| | 1201-1600 | 615 | | 6-39172-□□-L/R-1 |

| Tilt-First stay-arm, AX 13 mm | | | | |
|-------------------------------|-----------|--------|----|------------------|
| Item | SRW | Length | PU | Order number |
| 65U | 280-500 | 230 | 10 | 6-39173-□□-L/R-1 |
| | 501-750 | 314 | | 6-39174-□□-L/R-1 |
| | 751-1200 | 455 | | 6-39175-□□-L/R-1 |
| | 1201-1600 | 615 | | 6-39176-□□-L/R-1 |

| Cover cap for stay-hinge | | | |
|--------------------------|--------------|-----|----------------|
| Item | Colours | PU | Order number |
| 80B | See page 356 | 100 | 9-47796-01-0-□ |

| Stay-bearing pin | | | |
|------------------|--|-----|----------------|
| Item | | PU | Order number |
| 53 | | 100 | 9-48898-00-0-1 |

| Top 2 x Ø 34 mm drill-hole part M6/4 | | | |
|--------------------------------------|---------|-----|------------------|
| Item | System | PU | Order number |
| 52L | 4/15-8 | 100 | 9-39941-15-L/R-1 |
| | 4/18-9 | | 9-39941-18-L/R-1 |
| | 4/18-13 | | 9-44833-18-L/R-1 |

| Top 2 x Ø 34 mm drill-hole part M6/4i | | | |
|---------------------------------------|--------|-----|------------------|
| Item | System | PU | Order number |
| 52M | 4/15-8 | 100 | 9-39383-15-L/R-1 |
| | 4/18-9 | | 9-39383-18-L/R-1 |

| Stay-bearing for 2 x Ø 34 mm drill-hole part M6/4, M6/4i | | | |
|--|---------|-----|----------------|
| Item | System | PU | Order number |
| 52N | 4/15-8 | 100 | 6-36026-00-0-1 |
| | 4/18-9 | | |
| | 4/18-13 | | |

| Cover cap for stay-bearing | | | |
|----------------------------|--------------|-----|----------------|
| Item | Colours | PU | Order number |
| 81B | See page 357 | 100 | 9-47334-01-0-□ |

Lower hinge-side

| Rebate corner-hinge – without hardware groove, without turn-brake | | | |
|---|-----------|----|------------------|
| Item | System | PU | Order number |
| 57L | 4/15-8 | 50 | 6-36851-15-L/R-1 |
| | 4/18-9+13 | | 6-36851-18-L/R-1 |

| Rebate corner-hinge – with hardware groove, without turn-brake | | | |
|--|---------|----|------------------|
| Item | System | PU | Order number |
| 57N | 4/15-8 | 50 | 6-36118-15-L/R-1 |
| | 4/18-9 | | 6-36118-18-L/R-1 |
| | 4/18-13 | | 6-36120-18-L/R-1 |

| Plug | | | |
|------|--------------|-----|----------------|
| Item | Colours | PU | Order number |
| 92 | See page 360 | 100 | 9-47426-00-0-□ |

| Cover cap for rebate corner-hinge | | | |
|-----------------------------------|--------------|-----|------------------|
| Item | Colours | PU | Order number |
| 83C | See page 359 | 100 | 9-47782-00-L/R-□ |

| Bottom 2 x Ø 34 mm drill-hole M6/4 | | | |
|------------------------------------|---------|-----|------------------|
| Item | System | PU | Order number |
| 54P | 4/15-8 | 100 | 9-39942-15-L/R-1 |
| | 4/18-9 | | 9-39942-18-L/R-1 |
| | 4/18-13 | | 9-44832-18-L/R-1 |

| Bottom 2 x Ø 34 mm drill-hole part M6/4i | | | |
|--|--------|-----|------------------|
| Item | System | PU | Order number |
| 54Q | 4/15-8 | 100 | 9-39384-15-L/R-1 |
| | 4/18-9 | | 9-39384-18-L/R-1 |

| Pivot-rest M6/130 | | | |
|-------------------|---------|-----|----------------|
| Item | System | PU | Order number |
| 54N | 4/15-8 | 100 | 6-36875-01-0-1 |
| | 4/18-9 | | |
| | 4/18-13 | | |

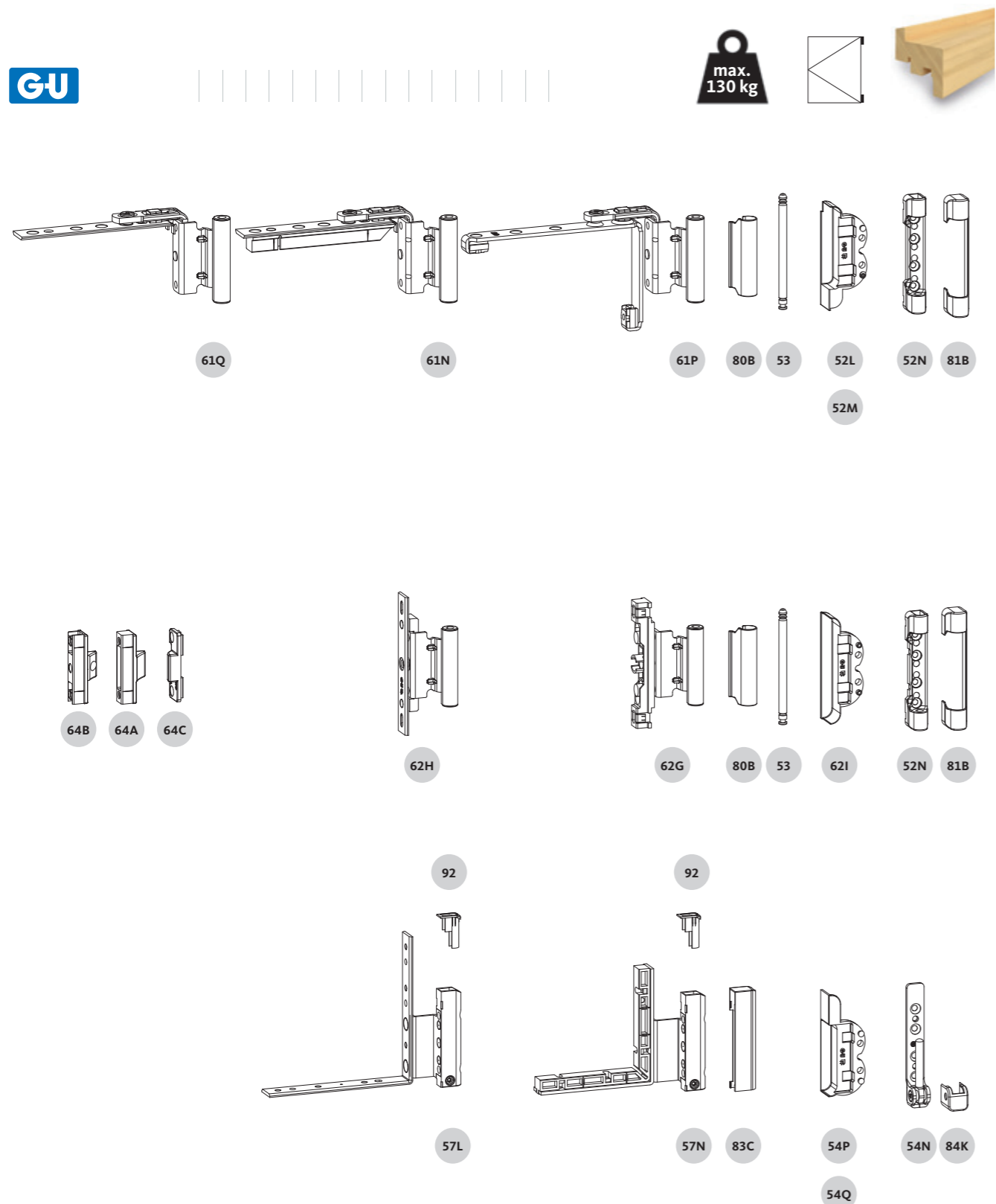
| Cover cap for pivot-rest | | | |
|--------------------------|--------------|-----|----------------|
| Item | Colours | PU | Order number |
| 84K | See page 358 | 100 | 9-42683-00-0-□ |

General information

- For Tilt&Turn: with T&T additional stay (8-00734-00-0-1).
Sash weight < 100 kg: SRW 1301-1600, Sash weight > 100 kg: SRW 1201-1600
- For Tilt-First: with TF additional stay (G-45995-00-0-1).
Sash weight < 100 kg: SRW 1301-1600, Sash weight > 100 kg: SRW 1201-1600

UNI-JET M6/4 – Turn-Only sash

Max. sash weight 130 kg



max.
130 kg



Tested hardware load-bearing capacity

- Max. 130 kg see application diagram 0-45559
- Installation drawing: 0-46733

Order example

Sash overlap
15, 18 or 20

6-39163-□□-L/R-1

UNI-JET M6/4 – Turn-Only sash

Max. sash weight 130 kg



Upper hinge-side

| Turn-Only hinge M6 – without hardware groove | | | |
|---|---------------|----------------|------------------|
| Item | System | PU | Order number |
| 61Q | 4/15-8 | 50 | 6-39161-□□-0-1 |
| | 4/18(20)-9+13 | | |
| Turn-Only hinge M6 – with horizontal hardware groove at top | | | |
| 61N | 4/15-8 | 50 | 6-39163-□□-0-1 |
| | 4/18(20)-9 | | 6-39164-□□-0-1 |
| | 4/18(20)-13 | | |
| Turn-Only hinge M6 – with circumferential hardware groove | | | |
| 61P | 4/18(20)-9 | 50 | 6-39165-□□-0-1 |
| | 4/18(20)-13 | | 6-39166-□□-0-1 |
| Cover cap for stay-hinge | | | |
| Item | Colours | PU | Order number |
| 80B | See page 356 | 100 | 9-47796-01-0-□ |
| Stay-bearing pin | | | |
| Item | PU | Order number | |
| 53 | 100 | 9-48898-00-0-1 | |
| Top 2 x Ø 34 mm drill-hole part M6/4 | | | |
| Item | System | PU | Order number |
| 52L | 4/15-8 | 100 | 9-39941-15-L/R-1 |
| | 4/18-9 | | 9-39941-18-L/R-1 |
| | 4/18-13 | | 9-44833-18-L/R-1 |
| Top 2 x Ø 34 mm drill-hole part M6/4i | | | |
| Item | System | PU | Order number |
| 52M | 4/15-8 | 100 | 9-39383-15-L/R-1 |
| | 4/18-9 | | 9-39383-18-L/R-1 |
| Stay-bearing for 2 x Ø 34 mm drill-hole part M6/4, M6/4i | | | |
| Item | System | PU | Order number |
| 52N | 4/15-8 | 100 | 6-36026-00-0-1 |
| | 4/18-9 | | |
| | 4/18-13 | | |
| Cover cap for stay-bearing | | | |
| Item | Colours | PU | Order number |
| 81B | See page 357 | 100 | 9-47334-01-0-□ |

Centre hinge-side

| Centre-closer, concealed, sash part (adjustable) | | | |
|--|-----|----------------------|----------------|
| Item | PU | Order number | |
| 64B | 100 | 6-34229-00-0-1 | |
| Centre-closer, concealed, sash part (not adjustable) | | | |
| Item | PU | Order number | |
| 64A | 100 | with hardware groove | 9-40564-00-0-1 |
| | | w/o hardware groove | 9-40875-00-0-1 |
| Centre-closer, concealed, frame part | | | |
| Item | PU | Order number | |
| 64C | 100 | 9-41580-00-0-1 | |

More profile-specific frame components see page 413 onwards.

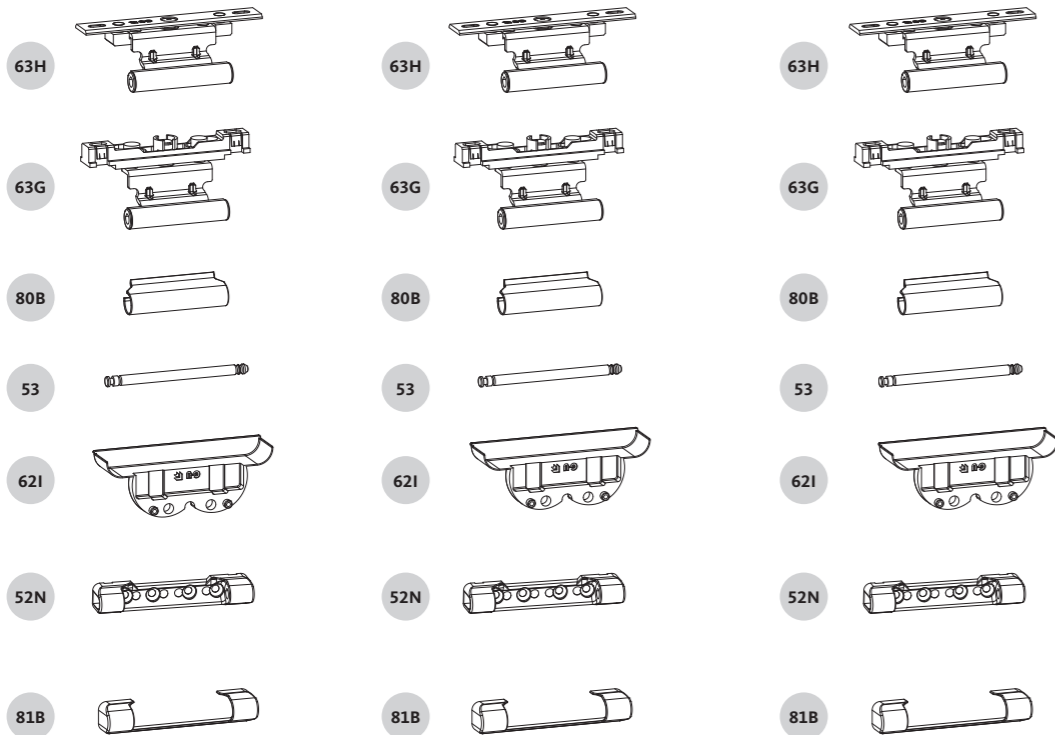
Lower hinge-side

| Rebate corner-hinge – without hardware groove, without turn-brake | | | |
|---|--------------|-----|------------------|
| Item | System | PU | Order number |
| 57L | 4/15-8 | 100 | 6-36851-15-L/R-1 |
| | 4/18-9+13 | | 6-36851-18-L/R-1 |
| Rebate corner-hinge – with hardware groove, without turn-brake | | | |
| Item | System | PU | Order number |
| 57N | 4/15-8 | 100 | 6-36118-15-L/R-1 |
| | 4/18-9 | | 6-36118-18-L/R-1 |
| | 4/18-13 | | 6-36120-18-L/R-1 |
| Plug | | | |
| Item | Colours | PU | Order number |
| 92 | See page 360 | 100 | 9-47426-00-0-□ |
| Cover cap for rebate corner-hinge | | | |
| Item | Colours | PU | Order number |
| 83C | See page 359 | 100 | 9-47782-00-L/R-□ |
| Bottom 2 x Ø 34 mm drill-hole part M6/4 | | | |
| Item | System | PU | Order number |
| 54P | 4/15-8 | 100 | 9-39942-15-L/R-1 |
| | 4/18-9 | | 9-39942-18-L/R-1 |
| | 4/18-13 | | 9-44832-18-L/R-1 |
| Bottom 2 x Ø 34 mm drill-hole M6/4i | | | |
| Item | System | PU | Order number |
| 54Q | 4/15-8 | 100 | 9-39384-15-L/R-1 |
| | 4/18-9 | | 9-39384-18-L/R-1 |
| Pivot-rest M6/130 | | | |
| Item | System | PU | Order number |
| 54N | 4/15-8 | 100 | 6-36875-01-0-1 |
| | 4/18-9 | | |
| | 4/18-13 | | |
| Cover cap for pivot-rest | | | |
| Item | Colours | PU | Order number |
| 84K | See page 358 | 100 | 9-42683-00-0-□ |

| Turn-Only centre rebate-hinge M6 – without hardware groove | | | |
|--|-----------|-----|----------------|
| Item | System | PU | Order number |
| 62H | 4/15-9+13 | 100 | 6-37040-15-0-1 |
| | 4/18-9+13 | | 6-37040-18-0-1 |
| Turn-Only centre rebate-hinge M6 – with hardware groove | | | |
| Item | System | PU | Order number |
| 62G | 4/15-9 | 100 | 6-37041-15-0-1 |
| | 4/18-9 | | 6-37041-18-0-1 |
| | 4/18-13 | | 6-37042-18-0-1 |
| | 4/20-13 | | 6-37042-20-0-1 |
| Central 2 x Ø 34 mm drill-hole part M6/4 | | | |
| Item | System | PU | Order number |
| 62I | 4/15-8 | 100 | 9-39533-15-0-1 |
| | 4/18-9 | | 9-39533-18-0-1 |
| | 4/18-13 | | 9-45061-18-0-1 |

UNI-JET M6/4 – Tilt-Only sash (handle horizontal at top)

Max. sash weight 80 kg



Tested hardware load-bearing capacity

- Max. 80 kg see application diagram 0-46854
- Installation drawing: 0-46733, 0-46794

Order example

Sash overlap
15 or 18
6-37043-□□-0-1

UNI-JET M6/4 – Tilt-Only sash (handle horizontal at top)

Max. sash weight 80 kg



Lower hinge-side

| Tilt-Only hinge M6 – without hardware groove [1] | | | |
|--|-----------|-----|----------------|
| Item | System | PU | Order number |
| 63H | 4/15-8 | 100 | 6-37043-□□-0-1 |
| | 4/18-9+13 | | |

| Tilt-Only hinge M6 – with hardware groove [1] | | | |
|---|---------|-----|----------------|
| Item | System | PU | Order number |
| 63G | 4/15-8 | 100 | 6-37044-□□-0-1 |
| | 4/18-9 | | 6-37045-18-0-1 |
| | 4/18-13 | | |

| Cover cap for stay-hinge | | | |
|--------------------------|--------------|-----|----------------|
| Item | Colours | PU | Order number |
| 80B | See page 356 | 100 | 9-47796-01-0-□ |

| Stay-bearing pin | | | |
|------------------|--|-----|----------------|
| Item | | PU | Order number |
| 53 | | 100 | 9-48898-00-0-1 |

| 2 x Ø 34 mm drill-hole part for Tilt-Only hinge M6/4 | | | |
|--|---------|-----|------------------|
| Item | System | PU | Order number |
| 62I | 4/15-8 | 100 | 9-39533-□□-L/R-1 |
| | 4/18-9 | | 9-45061-18-L/R-1 |
| | 4/18-13 | | |

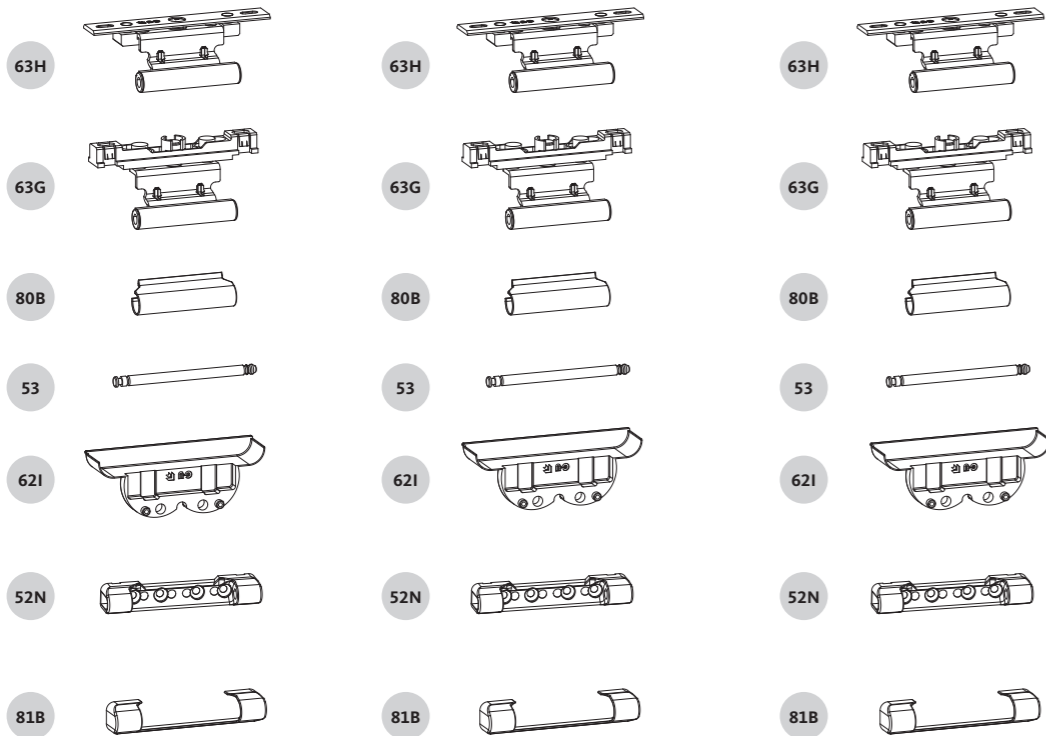
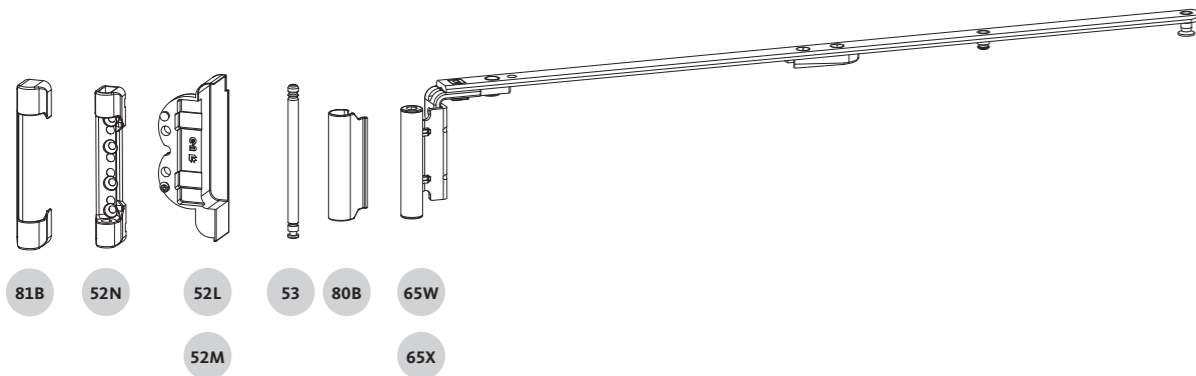
| Stay-bearing for 2 x Ø 34 mm drill-hole part M6/4 | | | |
|---|---------|-----|----------------|
| Item | System | PU | Order number |
| 52N | 4/15-8 | 100 | 6-36026-00-0-1 |
| | 4/18-9 | | |
| | 4/18-13 | | |

| Cover cap for stay-bearing | | | |
|----------------------------|--------------|-----|----------------|
| Item | Colours | PU | Order number |
| 81B | See page 357 | 100 | 9-47334-01-0-□ |

[1] SRW < 1200 mm, 2 pcs Tilt-Only hinges.
SRW > 1201 mm, 3 pcs Tilt-Only hinges.
See installation drawing 0-46794.

UNI-JET M6/4 – Tilt-Only sash (handle on the side)

Max. sash weight 100 kg



Tested hardware load-bearing capacity

- Max. 100 kg
- Installation drawing: 0-46733, 0-47277

Order example

Sash overlap
15 or 18
6-39941-□□-L/R-1

UNI-JET M6/4 – Tilt-Only sash (handle on the side)

Max. sash weight 100 kg



Upper hinge-side

| Cover cap for stay-bearing | | | |
|----------------------------|--------------|-----|----------------|
| Item | Colours | PU | Order number |
| 81B | See page 357 | 100 | 9-47334-01-0-□ |

| Stay-bearing for 2 x Ø 34 mm drill-hole part M6/4, M6/4i | | | |
|--|---------|-----|----------------|
| Item | System | PU | Order number |
| 52N | 4/15-8 | 100 | 6-36026-00-0-1 |
| | 4/18-9 | | |
| | 4/18-13 | | |

| Top 2 x Ø 34 mm drill-hole part M6/4 | | | |
|--------------------------------------|---------|-----|------------------|
| Item | System | PU | Order number |
| 52L | 4/15-8 | 100 | 9-39941-□□-L/R-1 |
| | 4/18-9 | | 9-44833-18-L/R-1 |
| | 4/18-13 | | |

| Top 2 x Ø 34 mm drill-hole part M6/4i | | | |
|---------------------------------------|--------|-----|------------------|
| Item | System | PU | Order number |
| 52M | 4/15-8 | 100 | 9-39383-□□-L/R-1 |
| | 4/18-9 | | |

| Stay-bearing pin | | | |
|------------------|--|-----|----------------|
| Item | | PU | Order number |
| 53 | | 100 | 9-48898-00-0-1 |

| Cover cap for stay-hinge | | | |
|--------------------------|--------------|-----|----------------|
| Item | Colours | PU | Order number |
| 80B | See page 356 | 100 | 9-47796-01-0-□ |

| Tilt-Only stay-arm, AX 9 mm | | | |
|-----------------------------|---------------|----|------------------|
| Item | SRW | PU | Order number |
| 65W | 1320-2220 [1] | 10 | 6-39177-□□-L/R-1 |

| Tilt-Only stay-arm, AX 13 mm | | | |
|------------------------------|---------------|----|------------------|
| Item | SRW | PU | Order number |
| 65X | 1320-2220 [1] | 10 | 6-39178-□□-L/R-1 |

Lower hinge-side

| Tilt-Only hinge M6 – without hardware groove [2] | | | |
|--|-----------|-----|----------------|
| Item | System | PU | Order number |
| 63H | 4/15-8 | 100 | 6-37043-□□-0-1 |
| | 4/18-9+13 | | |

| Tilt-Only hinge M6 – with hardware groove [2] | | | |
|---|---------|-----|----------------|
| Item | System | PU | Order number |
| 63G | 4/15-8 | 100 | 6-37044-□□-0-1 |
| | 4/18-9 | | 6-37045-18-0-1 |
| | 4/18-13 | | |

| Cover cap for stay-hinge | | | |
|--------------------------|--------------|-----|----------------|
| Item | Colours | PU | Order number |
| 80B | See page 356 | 100 | 9-47796-01-0-□ |

| Stay-bearing pin | | | |
|------------------|--|-----|----------------|
| Item | | PU | Order number |
| 53 | | 100 | 9-48898-00-0-1 |

| 2 x Ø 34 mm drill-hole part for Tilt-Only hinge M6/4 | | | |
|--|---------|-----|------------------|
| Item | System | PU | Order number |
| 62I | 4/15-8 | 100 | 9-39533-□□-L/R-1 |
| | 4/18-9 | | 9-45061-18-L/R-1 |
| | 4/18-13 | | |

| Stay-bearing for 2 x Ø 34 mm drill-hole part M6/4, M6/4i | | | |
|--|---------|-----|----------------|
| Item | System | PU | Order number |
| 52N | 4/15-8 | 100 | 6-36026-00-0-1 |
| | 4/18-9 | | |
| | 4/18-13 | | |

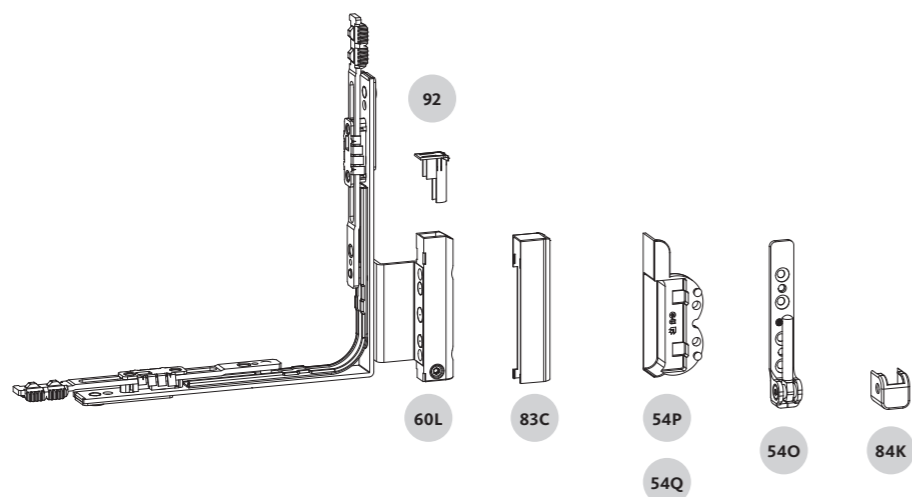
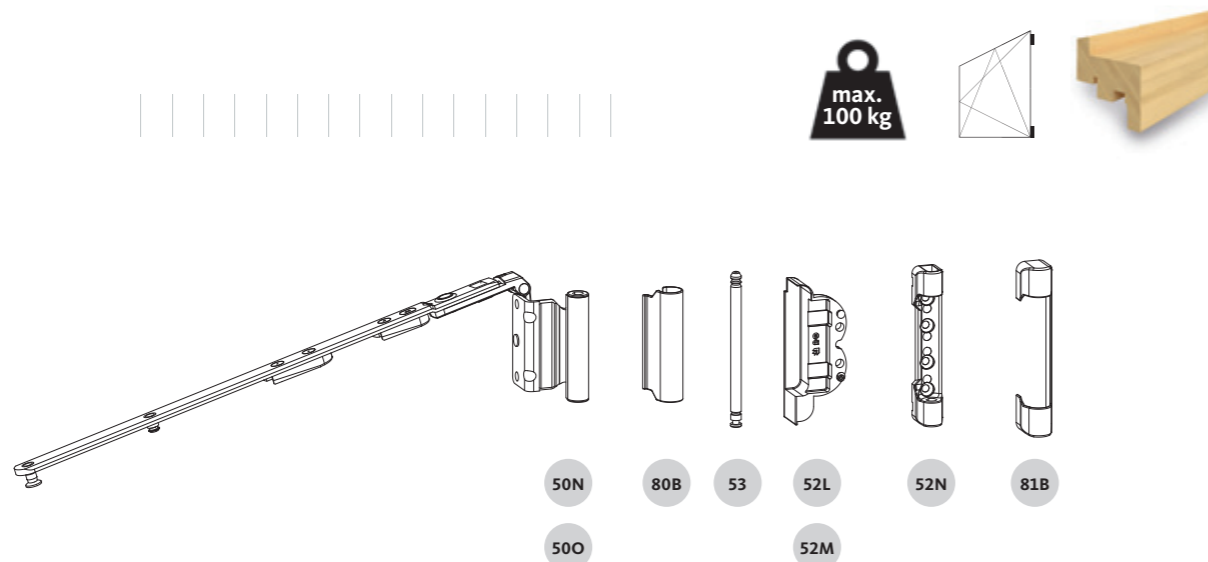
| Cover cap for stay-bearing | | | |
|----------------------------|--------------|-----|----------------|
| Item | Colours | PU | Order number |
| 81B | See page 357 | 100 | 9-47334-01-0-□ |

[1] For wide Tilt-Only sashes up to SRW 2220 mm in conjunction with Tilt-Only stay-guide 6-32183-□□ and extension 6-32334-00. Observe installation drawing 0-44401.

[2] SRW < 1200 mm, 2 pcs Tilt-Only hinges.
SRW > 1201 mm, 3 pcs Tilt-Only hinges.
See installation drawing 0-46794.

UNI-JET M6/4 – Tilt&Turn sash, pitched window

Max. sash weight 100 kg



Tested hardware load-bearing capacity

- Max. 100 kg see application diagrams 0-45877, 0-45878, 0-45879, 0-45880
- Installation drawing 0-46744

Order example

Sash overlap
15 or 18
6-36818-□□-0-1

UNI-JET M6/4 – Tilt&Turn sash, pitched window

Max. sash weight 100 kg



Upper hinge-side

| Pitched window stay-arm, AX 9 mm | | | | |
|-----------------------------------|-----------|------------------|----|----------------|
| Item | SRW P | System | PU | Order number |
| 50N | 410-510 | 4/15-8 4/18-9 | 10 | 6-36865-□□-0-1 |
| | 511-760 | | | 6-36866-□□-0-1 |
| | 761-1210 | | | 6-36867-□□-0-1 |
| | 1211-1460 | | | 6-36868-□□-0-1 |
| Pitched window stay-arm, AX 13 mm | | | | |
| 50O | 410-510 | 4/18-9 | 10 | 6-36869-□□-0-1 |
| | 511-760 | | | 6-36870-□□-0-1 |
| | 761-1210 | | | 6-36871-□□-0-1 |
| | 1211-1460 | | | 6-36872-□□-0-1 |

| Cover cap for stay-hinge | | | |
|--------------------------|--------------|-----|----------------|
| Item | Colours | PU | Order number |
| 80B | See page 356 | 100 | 9-47796-01-0-□ |

| Stay-bearing pin | | | |
|------------------|--|-----|----------------|
| Item | | PU | Order number |
| 53 | | 100 | 9-48898-00-0-1 |

| Top 2 x Ø 34 mm drill-hole part M6/4 | | | |
|--------------------------------------|---------|-----|------------------|
| Item | System | PU | Order number |
| 52L | 4/15-8 | 100 | 9-39941-□□-L/R-1 |
| | 4/18-9 | | 9-44833-18-L/R-1 |
| | 4/18-13 | | |

| Top 2 x Ø 34 mm drill-hole part M6/4i | | | |
|---------------------------------------|--------|-----|------------------|
| Item | System | PU | Order number |
| 52M | 4/15-8 | 100 | 9-39383-□□-L/R-1 |
| | 4/18-9 | | |

| Stay-bearing for 2 x Ø 34 mm drill-hole part M6/4, M6/4i | | | |
|--|---------|-----|----------------|
| Item | System | PU | Order number |
| 52N | 4/15-8 | 100 | 6-36026-00-0-1 |
| | 4/18-9 | | |
| | 4/18-13 | | |

| Cover cap for stay-bearing | | | |
|----------------------------|--------------|-----|----------------|
| Item | Colours | PU | Order number |
| 81B | See page 357 | 100 | 9-47334-01-0-□ |

Lower hinge-side

| Corner-drive rebate-hinge M6 | | | |
|------------------------------|---------|-----|------------------|
| Item | System | PU | Order number |
| 60L | 4/15-8 | 100 | 6-36888-□□-L/R-1 |
| | 4/18-9 | | 6-36889-18-L/R-1 |
| | 4/18-13 | | |

| Plug | | | |
|------|--------------|-----|----------------|
| Item | Colours | PU | Order number |
| 92 | See page 360 | 100 | 9-47426-00-0-□ |

| Cover cap for rebate corner-hinge | | | |
|-----------------------------------|--------------|-----|------------------|
| Item | Colours | PU | Order number |
| 83C | See page 359 | 100 | 9-47782-00-L/R-□ |

| Bottom 2 x Ø 34 mm drill-hole part M6/4 | | | |
|---|---------|-----|------------------|
| Item | System | PU | Order number |
| 54P | 4/15-8 | 100 | 9-39942-□□-L/R-1 |
| | 4/18-9 | | 9-44832-18-L/R-1 |
| | 4/18-13 | | |

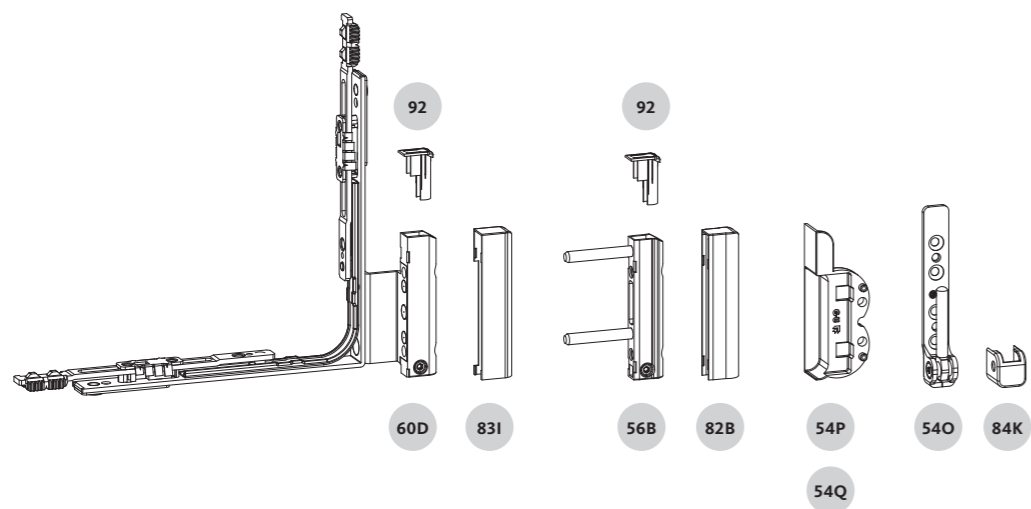
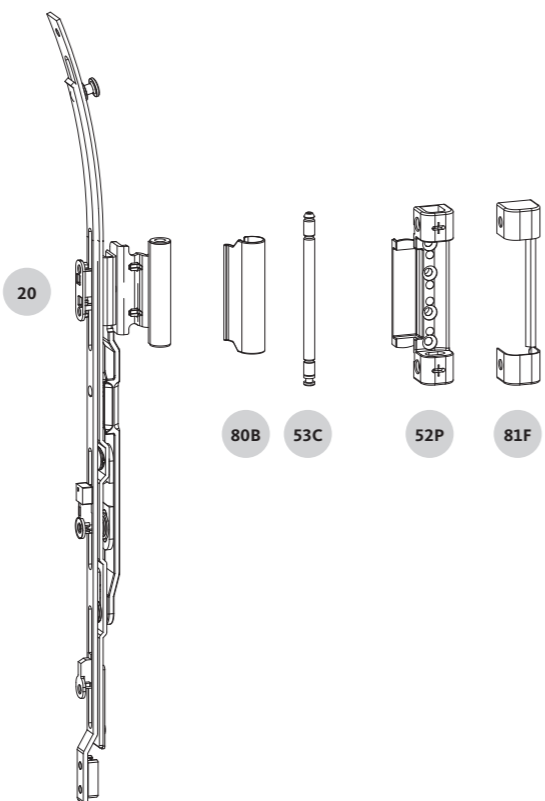
| Bottom 2 x Ø 34 mm drill-hole M6/4i | | | |
|-------------------------------------|--------|-----|------------------|
| Item | System | PU | Order number |
| 54Q | 4/15-8 | 100 | 9-39384-□□-L/R-1 |
| | 4/18-9 | | |

| Pivot-rest M6/100 | | | |
|-------------------|---------|-----|----------------|
| Item | System | PU | Order number |
| 54O | 4/15-8 | 100 | 6-36875-00-0-1 |
| | 4/18-9 | | |
| | 4/18-13 | | |

| Cover cap for pivot-rest | | | |
|--------------------------|--------------|-----|----------------|
| Item | Colours | PU | Order number |
| 84K | See page 358 | 100 | 9-42683-00-0-□ |

UNI-JET M6/4 – Tilt&Turn sash, arched window

Max. sash weight 80 kg



Tested hardware load-bearing capacity

- Max. 80 kg see application diagrams 0-47727
- Installation drawing 0-47639 for hinge-side
- Installation drawing 0-47302 for central locking system

Order example

Sash overlap
15 or 18
6-39334-□□-L/R-1

UNI-JET M6/4 – Tilt&Turn sash – arched window

Max. sash weight 80 kg



Upper hinge-side

| Arched stay, AX 9 mm | | | | | |
|----------------------|----------|----------|-------|----|------------------|
| Item | SRW | SRH RA | LC-MA | PU | Order number |
| 20 | 455-1250 | 470-2090 | 1 | 10 | 6-39334-□□-L/R-1 |

| Arched stay, AX 13 mm | | | | | |
|-----------------------|----------|----------|-------|----|----------------|
| Item | SRW | SRH RA | LC-MA | PU | Order number |
| 20 | 455-1250 | 470-2090 | 1 | 10 | 6-39335-□□-0-1 |

| Cover cap for stay-hinge | | | |
|--------------------------|--------------|-----|----------------|
| Item | Colours | PU | Order number |
| 80B | See page 356 | 100 | 9-47796-01-0-□ |

| Stay-bearing pin | | | |
|------------------|---------|-----|----------------|
| Item | Colours | PU | Order number |
| 53C | | 100 | 9-50141-00-0-1 |

| Stay-bearing | | | |
|--------------|------------|-----|----------------|
| Item | System | PU | Order number |
| 52P | 12/15-8 | 100 | 6-39063-□□-0-1 |
| | 12/18-9+13 | | |

| Cover cap for stay-bearing | | | |
|----------------------------|--------------|-----|----------------|
| Item | Colours | PU | Order number |
| 81F | See page 357 | 100 | 9-50710-00-0-□ |

Lower hinge-side

| Corner-drive rebate-hinge M6 | | | |
|------------------------------|---------|-----|------------------|
| Item | System | PU | Order number |
| 60L | 4/15-8 | 100 | 6-36888-□□-L/R-1 |
| | 4/18-9 | | |
| | 4/18-13 | | |

| Cover for corner-drive rebate-hinge | | | |
|-------------------------------------|--------------|-----|------------------|
| Item | Colours | PU | Order number |
| 83I | See page 359 | 100 | 9-47782-00-L/R-□ |

| Plug | | | |
|------|--------------|-----|----------------|
| Item | Colours | PU | Order number |
| 92 | See page 360 | 100 | 9-47426-00-0-□ |

| Drill-in hinge [1] | | | |
|--------------------|--------------------------------|-----|----------------|
| Item | Colours | PU | Order number |
| 56B | Positioning pin Ø 6, L = 37 mm | 100 | 6-36180-03-0-1 |

| Cover cap for drill-in hinge | | | |
|------------------------------|--------------|-----|----------------|
| Item | Colours | PU | Order number |
| 82B | See page 359 | 100 | 9-47783-01-0-□ |

| Bottom 2 x Ø 34 mm drill-hole part M6/4 | | | |
|---|---------|-----|------------------|
| Item | System | PU | Order number |
| 54P | 4/15-8 | 100 | 9-39942-□□-L/R-1 |
| | 4/18-9 | | |
| | 4/18-13 | | |

| Bottom 2 x Ø 34 mm drill-hole M6/4i | | | |
|-------------------------------------|--------|-----|------------------|
| Item | System | PU | Order number |
| 54Q | 4/15-8 | 100 | 9-39384-□□-L/R-□ |
| | 4/18-9 | | |

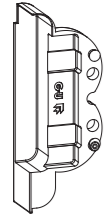
| Pivot-rest M6/100 [1] | | | |
|-----------------------|---------|-----|----------------|
| Item | System | PU | Order number |
| 54O | 4/15-8 | 100 | 6-36875-00-0-1 |
| | 4/18-9 | | |
| | 4/18-13 | | |

| Cover cap for pivot-rest | | | |
|--------------------------|--------------|-----|----------------|
| Item | Colours | PU | Order number |
| 84K | See page 358 | 100 | 9-42683-00-0-□ |

[1] When installing pivot-rest M6/100 and the drill-in hinge using drilling jigs 6-38619-09-0-0 (AX 9) or 6-38619-13-0-0 (AX 13), it is necessary to insert a 3.5 mm packer (customer-provided) in the bottom horizontal hardware groove.

UNI-JET M6/4 – hinge-side accessories

Stay-bearing



| Top 2 x Ø 34 mm drill-hole part M6/4 | | | |
|--------------------------------------|---------|-----|------------------|
| Item | System | PU | Order number |
| 52L | 4/15-8 | 100 | 9-39941-15-L/R-1 |
| | 4/18-9 | | 9-39941-18-L/R-1 |
| | 4/18-13 | | 9-44833-18-L/R-1 |

- Compatible with hinge-side M6/4 – up to 130 kg sash weight
- Drill-hole part (2 x Ø 34 x 6 mm)
- Machining on pre-glued frame
- Version with flush overlap
- Only in conjunction with stay-bearing 6-36026-00

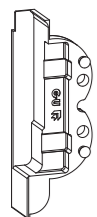
UNI-JET M6/4 – hinge-side accessories

Stay-bearing



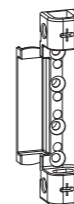
| Stay-bearing for 2 x Ø 34 mm drill-hole part M6/4, M6/4i | | | |
|--|---------|-----|----------------|
| Item | System | PU | Order number |
| 52N | 4/15-8 | 100 | 6-36026-00-0-1 |
| | 4/18-9 | | |
| | 4/18-13 | | |

- Compatible with hinge-side M6/4 and M6/4i – up to 130 kg sash weight
- Version with flush overlap
- Only in conjunction with 2 x Ø34mm drill-hole part 9-39941-□□ or 9-39383-□□
- A stay-bearing pin must be ordered separately with every stay-bearing



| Top 2 x Ø 34 mm drill-hole part M6/4i | | | |
|---------------------------------------|--------|-----|------------------|
| Item | System | PU | Order number |
| 52M | 4/15-8 | 100 | 9-39383-15-L/R-1 |
| | 4/18-9 | | 9-39383-18-L/R-1 |

- Compatible with hinge-side M6/4i – up to 130 kg sash weight
- Drill-hole part (2 x Ø 34 x 6 mm)
- Machining on individual frame piece
- Version with flush overlap
- Only in conjunction with stay-bearing 6-36026-00



| Stay-bearing for round arch | | | |
|-----------------------------|------------|-----|----------------|
| Item | System | PU | Order number |
| 52P | 12/15-8 | 100 | 6-39063-15-0-1 |
| | 12/18-9+13 | | 6-39063-18-0-1 |

- A stay-bearing pin must be ordered separately with every stay-bearing

UNI-JET M6/4 – hinge-side accessories

Stay-bearing pin



| Stay-bearing pin | | | |
|------------------|--|-----|----------------|
| Item | | PU | Order number |
| 53 | | 100 | 9-48898-00-0-1 |

- To be ordered separately with each stay-bearing
- Compatible with the D, S and M6 stay-bearings

UNI-JET M6/4 – hinge-side accessories

Centre rebate-hinge / Tilt-Only hinge



| Central 2 x Ø 34 mm drill-hole part M6/4 2 x Ø 34 mm drill-hole part for Tilt-Only hinge M6/4 | | | |
|--|---------|-----|----------------|
| Item | System | PU | Order number |
| 62I | 4/15-8 | 100 | 9-39533-15-0-1 |
| | 4/18-9 | | 9-39533-18-0-1 |
| | 4/18-13 | | 9-45061-18-0-1 |

- Compatible with hinge-side M6/4 and M6/4i – up to 130 kg sash weight
- Can be used for Turn-Only and Tilt-Only sashes
- Drill-hole part (2 x Ø 34 x 6 mm)
- Machining on pre-glued frame and individual frame-piece
- Only in conjunction with stay-bearing 6-36026-00

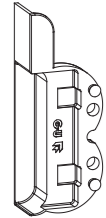


| Stay-bearing pin for round arch | | | |
|---------------------------------|-------------|-----|----------------|
| Item | Description | PU | Order number |
| 53C | | 100 | 9-50141-00-0-1 |

- To be ordered separately with each stay-bearing

UNI-JET M6/4 – hinge-side accessories

Pivot-rest



| Bottom 2 x Ø 34 mm drill-hole part M6/4 | | | |
|---|---------|-----|------------------|
| Item | System | PU | Order number |
| 54P | 4/15-8 | 100 | 9-39942-15-L/R-1 |
| | 4/18-9 | | 9-39942-18-L/R-1 |
| | 4/18-13 | | 9-44832-18-L/R-1 |

- Compatible with hinge-side M6/4 – up to 130 kg sash weight
- Drill-hole part (2 x Ø 34 x 6 mm)
- Machining on pre-glued frame
- Version with flush overlap
- Only in conjunction with pivot-rest 6-36875-00 (100 kg) and 6-36875-01 (130 kg)

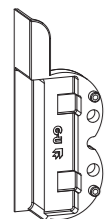
UNI-JET M6/4 – hinge-side accessories

Pivot-rest



| Pivot-rest M6/100 | | | |
|-------------------|----------------|-----|----------------|
| Item | System | PU | Order number |
| 54O | 4/15+18-8+9+13 | 100 | 6-36875-00-0-1 |

- Compatible with hinge-side M6/4 and M6/4i – up to 100 kg sash weight
- Only in conjunction with bottom 2 x Ø34mm drill-hole part M6/4 (9-39942-□□, 9-39384-□□) or M6/4i (9-39384-□□ = 2 x Ø 34 x 6 mm)
- Version with flush overlap



| Bottom 2 x Ø 34 mm drill-hole M6/4i | | | |
|-------------------------------------|--------|-----|------------------|
| Item | System | PU | Order number |
| 54Q | 4/15-8 | 100 | 9-39384-15-L/R-1 |
| | 4/18-9 | | 9-39384-18-L/R-1 |

- Compatible with hinge-side M6/4i – up to 130 kg sash weight
- Drill-hole part (2 x Ø 34 x 6 mm)
- Machining on individual frame piece
- Version with flush overlap
- Only in conjunction with pivot-rest 6-36875-00 (100 kg) and 6-36875-01 (130 kg)

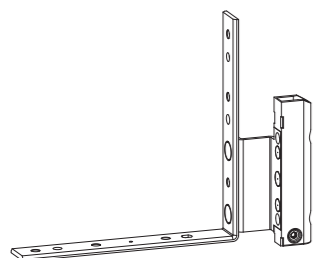


| Pivot-rest M6/130 | | | |
|-------------------|---------|-----|----------------|
| Item | System | PU | Order number |
| 54N | 4/15-8 | 100 | 6-36875-01-0-1 |
| | 4/18-9 | | |
| | 4/18-13 | | |

- Compatible with hinge-side M6/4 and M6/4i – up to 130 kg sash weight
- Only in conjunction with bottom 2 x Ø34mm drill-hole part M6/4 (9-39942-□□, 9-39384-□□) or M6/4i (9-39384-□□ = 2 x Ø 34 x 6 mm)

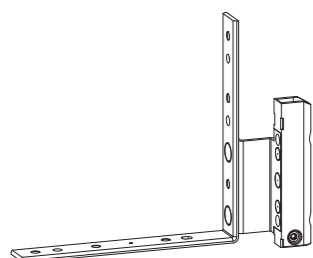
UNI-JET M6/4 – hinge-side accessories

Rebate corner-hinge



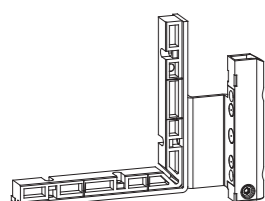
| Rebate corner-hinge – without hardware groove, without turn-brake | | | |
|---|-----------|-----|------------------|
| Item | System | PU | Order number |
| 57L | 4/15-8 | 100 | 6-36851-15-L/R-1 |
| | 4/18-9+13 | | 6-36851-18-L/R-1 |

- Compatible with hinge-side M6/4 and M6/4i – up to 130 kg sash weight
- Suitable cover cap: 9-47782-00-L/R-□ (available colours refer to page 359)



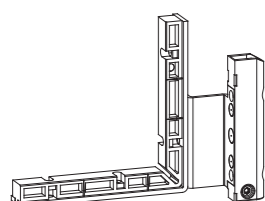
| Rebate corner-hinge – without hardware groove, with turn-brake | | | |
|--|-----------|-----|------------------|
| Item | System | PU | Order number |
| 57M | 4/15-8 | 100 | 6-36853-15-L/R-1 |
| | 4/18-9+13 | | 6-36853-18-L/R-1 |

- Compatible with hinge-side M6/4 and M6/4i – up to 130 kg sash weight
- Suitable cover cap: 9-47782-00-L/R-□ (available colours refer to page 359)
- Adjustable concealed turn-brake prevents the sash from closing of its own accord (also with slight air draughts)



| Rebate corner-hinge – with hardware groove, without turn-brake | | | |
|--|---------|----|------------------|
| Item | System | PU | Order number |
| 57N | 4/15-8 | 50 | 6-36118-15-L/R-1 |
| | 4/18-9 | | 6-36118-18-L/R-1 |
| | 4/18-13 | | 6-36120-18-L/R-1 |

- Compatible with hinge-side M6/4 and M6/4i – up to 130 kg sash weight
- Suitable cover cap: 9-47782-00-L/R-□ (available colours refer to page 359)

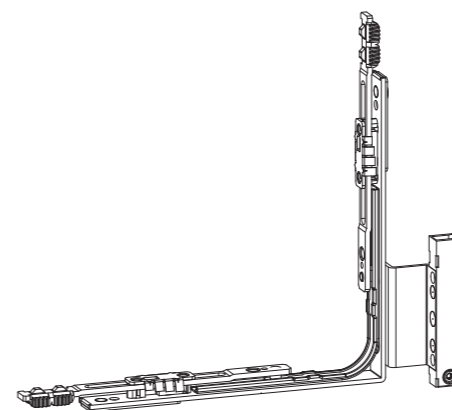


| Rebate corner-hinge – with hardware groove, with turn-brake | | | |
|---|---------|----|------------------|
| Item | System | PU | Order number |
| 57O | 4/15-8 | 50 | 6-36121-15-L/R-1 |
| | 4/18-9 | | 6-36121-18-L/R-1 |
| | 4/18-13 | | 6-36122-18-L/R-1 |

- Compatible with hinge-side M6/4 and M6/4i – up to 130 kg sash weight
- Suitable cover cap: 9-47782-00-L/R-□ (available colours refer to page 359)
- Adjustable concealed turn-brake prevents the sash from closing of its own accord (also with slight air draughts)

UNI-JET M6/4 – hinge-side accessories

Corner-drive rebate-hinge

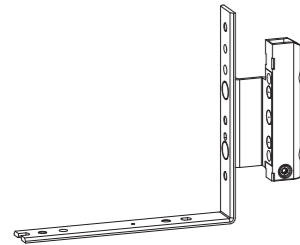


| Corner-drive rebate-hinge M6/100 – with turn-brake | | | |
|--|---------|-----|------------------|
| Item | System | PU | Order number |
| 60L | 4/15-8 | 100 | 6-36888-15-L/R-1 |
| | 4/18-9 | | 6-36888-18-L/R-1 |
| | 4/18-13 | | 6-36889-18-L/R-1 |

- Compatible with hinge-side M6/4 and M6/4i – up to 100 kg sash weight
- The corner-drive rebate-hinge combines the functions of rebate corner-hinge and corner-drive. The integrated corner-drive has the function of deflecting the hinge-side locking system around the corner at the bottom
- For arched and pitched windows
- Can only be used in sashes with circumferential 16 mm hardware groove
- Suitable cover cap: 9-47782-00-L/R-□ (available colours refer to page 359)
- Adjustable concealed turn-brake prevents the sash from closing of its own accord (also with slight air draughts)

UNI-JET M6/4 – hinge-side accessories

Special solution: higher positioned rebate corner-hinge

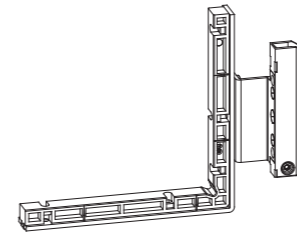


| Higher positioned rebate corner-hinge – without hardware groove, with turn-brake | | | |
|--|-----------|----|------------------|
| Item | System | PU | Order number |
| 58L | 4/15-9+13 | 50 | 6-36886-15-L/R-1 |
| | 4/18-9+13 | | 6-36886-18-L/R-1 |

- Compatible with hinge-side M6/4 and M6/4i – up to 130 kg sash weight
- Suitable for barrier-free construction, balcony-doors with low threshold or Fold&Slide systems
- For all sashes without circumferential 16 mm hardware groove
- Suitable cover cap: 9-47782-00-L/R-□ (available colours refer to page 359)
- Adjustable concealed turn-brake prevents the sash from closing of its own accord (also with slight air draughts)

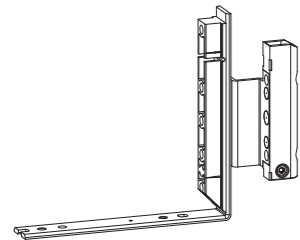
UNI-JET M6/4 – hinge-side accessories

Special solution: higher positioned rebate corner-hinge



| Higher positioned rebate corner-hinge – with hardware groove, with turn-brake | | | |
|---|---------|----|------------------|
| Item | System | PU | Order number |
| 58N | 4/15-8 | 50 | 6-36884-15-L/R-1 |
| | 4/18-9 | | 6-36884-18-L/R-1 |
| | 4/18-13 | | 6-36885-18-L/R-1 |

- Compatible with hinge-side M6/4 and M6/4i – up to 130 kg sash weight
- Suitable for barrier-free construction, balcony-doors with low threshold or Fold&Slide systems
- For all sashes without circumferential 16 mm hardware groove
- Suitable cover cap: 9-47782-00-L/R-□ (available colours refer to page 359)
- Adjustable concealed turn-brake prevents the sash from closing of its own accord (also with slight air draughts)

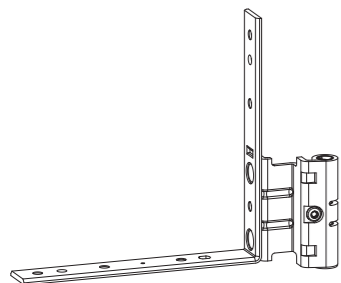


| Higher positioned rebate corner-hinge – with lateral hardware groove, with turn-brake | | | |
|---|---------|----|------------------|
| Item | System | PU | Order number |
| 58M | 4/18-13 | 50 | 6-36887-18-L/R-1 |

- Compatible with hinge-side M6/4 and M6/4i – up to 130 kg sash weight
- Suitable for barrier-free construction, balcony-doors with low threshold or Fold&Slide systems
- For all sashes without circumferential 16 mm hardware groove
- Suitable cover cap: 9-47782-00-L/R-□ (available colours refer to page 359)
- Adjustable concealed turn-brake prevents the sash from closing of its own accord (also with slight air draughts)

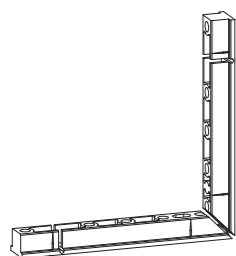
UNI-JET M6/4 – hinge-side accessories

Special solution: no overlap screw-fixing via corner-hinge



| Rebate corner-hinge M6/130 – without hardware groove, with turn-brake | | | |
|---|---------|----|------------------|
| Item | System | PU | Order number |
| 59F | 4/15-8 | 50 | 6-38595-15-L/R-1 |
| | 4/18-9 | | 6-38595-18-L/R-1 |
| | 4/18-13 | | 6-39068-18-L/R-1 |

- Compatible with hinge-side M6/4 and M6/4i – up to 130 kg sash weight
- Special hinge-side solution for timber profiles where e.g. there is insufficient overlap height to attach standard M6 rebate corner-hinges
- Screw-fixing in hardware groove only
- Can also be combined with optional groove packer 9-29533-00-0-1 (for windows with circumferential 16 mm hardware groove)
- Suitable cover cap: 9-40487-00-L/R-□ or 9-37725-00-L/R-□ (available colours refer to page 361)
- Adjustable concealed turn-brake prevents the sash from closing of its own accord (also with slight air draughts)

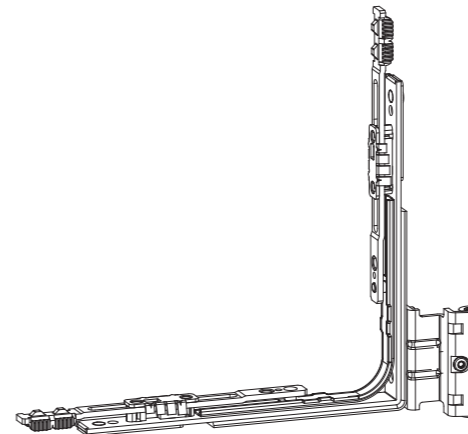


| Hardware-groove packer for rebate corner-hinge | | | |
|--|---------|-----|----------------|
| Item | System | PU | Order number |
| 59H | 4/15-8 | 100 | 9-29533-00-0-1 |
| | 4/18-9 | | |
| | 4/18-13 | | |

- Compatible with hinge-side M6/4 and M6/4i – up to 130 kg sash weight
- Can be used in sashes with circumferential 16 mm hardware groove
- Only in conjunction with rebate corner-hinge 6-38595-□□ and 6-39068-□□

UNI-JET M6/4 – hinge-side accessories

Special solution: no overlap screw-fixing via corner-hinge

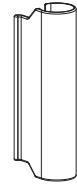


| Corner-drive rebate-hinge M6/100 – with turn-brake | | | |
|--|---------|----|------------------|
| Item | System | PU | Order number |
| 60J | 4/15-8 | 10 | 6-39002-15-L/R-1 |
| | 4/18-9 | | 6-39002-18-L/R-1 |
| | 4/18-13 | | 6-39003-18-L/R-1 |

- Compatible with hinge-side M6/4 and M6/4i – up to 100 kg sash weight
- Special hinge-side solution for timber profiles where e.g. there is insufficient overlap height to attach standard M6 rebate corner-hinges
- Screw-fixing in hardware groove only (not additionally in overlap as is the case with the standard M6 hinge-side)
- Can be used in sashes with circumferential 16 mm hardware groove
- The corner-drive rebate-hinge combines the functions of rebate corner-hinge and corner-drive. The integrated corner-drive has the function of deflecting the hinge-side locking system around the corner at the bottom
- For arched and pitched windows
- Suitable cover cap: 9-37725-00-L/R-□ (available colours refer to page 361)
- Adjustable concealed turn-brake prevents the sash from closing of its own accord (also with slight air draughts)

UNI-JET M6/4 – hinge-side accessories

Cover caps



Cover cap for stay-hinge

| Colours | GU internal ref. | Info | Order number |
|------------------------|------------------|------------------------|-----------------|
| Silver colour | 1N (painted) | EV1 | 9-47796-01-0-1 |
| Champagne | 2N (painted) | EV2 | 9-47796-01-0-2 |
| Vaporised brass | 3R (vaporised) | Vap. brass | 9-47796-01-0-3 |
| Brass colour | 3N (painted) | Brass col. | 9-47796-01-0-3N |
| Medium bronze | 4N (painted) | UC 3 | 9-47796-01-0-4 |
| Dark brown | 5X (coloured) | UC5 | 9-47796-01-0-5 |
| Clay brown | 54 (painted) | RAL 8003 | 9-47796-01-0-54 |
| Black | 6N (painted) | RAL 9005 | 9-47796-01-0-6 |
| Cream white | 7R (painted) | RAL 9001 | 9-47796-01-0-7R |
| Traffic white | 7X (coloured) | RAL 9016 | 9-47796-01-0-7 |
| Stainless-steel effect | 8X (painted) | Stainless-steel effect | 9-47796-01-0-8 |
| Light ivory | AN (painted) | RAL 1015 | 9-47796-01-0-AN |
| Light brown | AM (painted) | F4 light brown | 9-47796-01-0-AM |
| Titanium colour | CL (painted) | Titanium colour | 9-47796-01-0-C |
| Anthracite grey | DP (painted) | RAL 7016 | 9-47796-01-0-DP |

- Packaging: 100 pcs cover caps in cardboard box
- More colours are available on request

UNI-JET M6/4 – hinge-side accessories

Cover caps



Cover cap for stay-bearing

| Colours | GU internal ref. | Info | Order number |
|------------------------|------------------|------------------------|-----------------|
| Silver colour | 1N (painted) | EV1 | 9-47334-01-0-1 |
| Champagne | 2N (painted) | EV2 | 9-47334-01-0-2 |
| Vaporised brass | 3R (vaporised) | Vap. brass | 9-47334-01-0-3 |
| Brass colour | 3N (painted) | Brass col. | 9-47334-01-0-3N |
| Medium bronze | 4N (painted) | UC 3 | 9-47334-01-0-4 |
| Dark brown | 5X (coloured) | UC5 | 9-47334-01-0-5 |
| Clay brown | 54 (painted) | RAL 8003 | 9-47334-01-0-54 |
| Black | 6N (painted) | RAL 9005 | 9-47334-01-0-6 |
| Cream white | 7R (painted) | RAL 9001 | 9-47334-01-0-7R |
| Traffic white | 7X (coloured) | RAL 9016 | 9-47334-01-0-7 |
| Stainless-steel effect | 8X (painted) | Stainless-steel effect | 9-47334-01-0-8 |
| Light ivory | AN (painted) | RAL 1015 | 9-47334-01-0-AN |
| Light brown | AM (painted) | F4 light brown | 9-47334-01-0-AM |
| Titanium colour | CL (painted) | Titanium colour | 9-47334-01-0-C |
| Anthracite grey | DP (painted) | RAL 7016 | 9-47334-01-0-DP |



Cover cap for round-arch stay-bearing

| Colours | GU internal ref. | Info | Order number |
|------------------------|------------------|------------------------|-----------------|
| Silver colour | 1N (painted) | EV1 | 9-50710-00-0-1 |
| Champagne | 2N (painted) | EV2 | 9-50710-00-0-2 |
| Vaporised brass | 3R (vaporised) | Vap. brass | 9-50710-00-0-3 |
| Brass colour | 3N (painted) | Brass col. | 9-50710-00-0-3N |
| Medium bronze | 4N (painted) | UC 3 | 9-50710-00-0-4 |
| Dark brown | 5X (coloured) | UC5 | 9-50710-00-0-5 |
| Clay brown | 54 (painted) | RAL 8003 | 9-50710-00-0-54 |
| Black | 6N (painted) | RAL 9005 | 9-50710-00-0-6 |
| Cream white | 7R (painted) | RAL 9001 | 9-50710-00-0-7R |
| Traffic white | 7X (coloured) | RAL 9016 | 9-50710-00-0-7 |
| Stainless-steel effect | 8X (painted) | Stainless-steel effect | 9-50710-00-0-8 |
| Light ivory | AN (painted) | RAL 1015 | 9-50710-00-0-AN |
| Light brown | AM (painted) | F4 light brown | 9-50710-00-0-AM |
| Titanium colour | CL (painted) | Titanium colour | 9-50710-00-0-C |
| Anthracite grey | DP (painted) | RAL 7016 | 9-50710-00-0-DP |

- Packaging: 100 pcs cover caps in cardboard box
- More colours are available on request

UNI-JET M6/4 – hinge-side accessories

Cover caps



Cover cap for pivot-rest

| Colours | GU internal ref. | Info | Order number |
|------------------------|------------------|------------------------|-----------------|
| Silver colour | 1N (painted) | EV1 | 9-42683-00-0-1 |
| Champagne | 2N (painted) | EV2 | 9-42683-00-0-2 |
| Vaporised brass | 3R (vaporised) | Vap. brass | 9-42683-00-0-3 |
| Brass colour | 3N (painted) | Brass col. | 9-42683-00-0-3N |
| Medium bronze | 4N (painted) | UC 3 | 9-42683-00-0-4 |
| Dark brown | 5X (coloured) | UC5 | 9-42683-00-0-5 |
| Clay brown | 54 (painted) | RAL 8003 | 9-42683-00-0-54 |
| Black | 6N (painted) | RAL 9005 | 9-42683-00-0-6 |
| Cream white | 7R (painted) | RAL 9001 | 9-42683-00-0-7R |
| Traffic white | 7X (coloured) | RAL 9016 | 9-42683-00-0-7 |
| Stainless-steel effect | 8X (painted) | Stainless-steel effect | 9-42683-00-0-8 |
| Light ivory | AN (painted) | RAL 1015 | 9-42683-00-0-AN |
| Light brown | AM (painted) | F4 light brown | 9-42683-00-0-AM |
| Titanium colour | CL (painted) | Titanium colour | 9-42683-00-0-C |
| Anthracite grey | DP (painted) | RAL 7016 | 9-42683-00-0-DP |

- Packaging: 100 pcs cover caps in cardboard box
- More colours are available on request

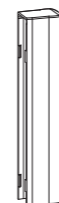
UNI-JET M6/4 – hinge-side accessories

Cover caps



Cover cap for rebate corner-hinge/corner-drive rebate-hinge

| Colours | GU internal ref. | Info | Order number |
|------------------------|------------------|------------------------|-------------------|
| Silver colour | 1N (painted) | EV1 | 9-47782-00-L/R-1 |
| Champagne | 2N (painted) | EV2 | 9-47782-00-L/R-2 |
| Vaporised brass | 3R (vaporised) | Vap. brass | 9-47782-00-L/R-3 |
| Brass colour | 3N (painted) | Brass col. | 9-47782-00-L/R-3N |
| Medium bronze | 4N (painted) | UC 3 | 9-47782-00-L/R-4 |
| Dark brown | 5X (coloured) | UC5 | 9-47782-00-L/R-5 |
| Clay brown | 54 (painted) | RAL 8003 | 9-47782-00-L/R-54 |
| Black | 6N (painted) | RAL 9005 | 9-47782-00-L/R-6 |
| Cream white | 7R (painted) | RAL 9001 | 9-47782-00-L/R-7R |
| Traffic white | 7X (coloured) | RAL 9016 | 9-47782-00-L/R-7 |
| Stainless-steel effect | 8X (painted) | Stainless-steel effect | 9-47782-00-L/R-8 |
| Light ivory | AN (painted) | RAL 1015 | 9-47782-00-L/R-AN |
| Light brown | AM (painted) | F4 light brown | 9-47782-00-L/R-AM |
| Titanium colour | CL (painted) | Titanium colour | 9-47782-00-L/R-C |
| Anthracite grey | DP (painted) | RAL 7016 | 9-47782-00-L/R-DP |



Cover cap for drill-in hinge

| Colours | GU internal ref. | Info | Order number |
|------------------------|------------------|------------------------|-----------------|
| Silver colour | 1N (painted) | EV1 | 9-47783-01-0-1 |
| Champagne | 2N (painted) | EV2 | 9-47783-01-0-2 |
| Vaporised brass | 3R (vaporised) | Vap. brass | 9-47783-01-0-3 |
| Brass colour | 3N (painted) | Brass col. | 9-47783-01-0-3N |
| Medium bronze | 4N (painted) | UC 3 | 9-47783-01-0-4 |
| Dark brown | 5X (coloured) | UC5 | 9-47783-01-0-5 |
| Clay brown | 54 (painted) | RAL 8003 | 9-47783-01-0-54 |
| Black | 6N (painted) | RAL 9005 | 9-47783-01-0-6 |
| Cream white | 7R (painted) | RAL 9001 | 9-47783-01-0-7R |
| Traffic white | 7X (coloured) | RAL 9016 | 9-47783-01-0-7 |
| Stainless-steel effect | 8X (painted) | Stainless-steel effect | 9-47783-01-0-8 |
| Light ivory | AN (painted) | RAL 1015 | 9-47783-01-0-AN |
| Light brown | AM (painted) | F4 light brown | 9-47783-01-0-AM |
| Titanium colour | CL (painted) | Titanium colour | 9-47783-01-0-C |
| Anthracite grey | DP (painted) | RAL 7016 | 9-47783-01-0-DP |

- Packaging: 100 pcs cover caps in cardboard box
- More colours are available on request

UNI-JET M6/4 – hinge-side accessories

Caps



| Plug | | | |
|------------------------|------------------|------------------------|-----------------|
| Colours | GU internal ref. | Info | Order number |
| Silver colour | 1N (painted) | EV1 | 9-47426-00-0-1 |
| Champagne | 2N (painted) | EV2 | 9-47426-00-0-2 |
| Vaporised brass | 3R (vaporised) | Vap. brass | 9-47426-00-0-3 |
| Brass colour | 3N (painted) | Brass col. | 9-47426-00-0-3N |
| Medium bronze | 4N (painted) | UC 3 | 9-47426-00-0-4 |
| Dark brown | 5X (coloured) | UC5 | 9-47426-00-0-5 |
| Clay brown | 54 (painted) | RAL 8003 | 9-47426-00-0-54 |
| Black | 6N (painted) | RAL 9005 | 9-47426-00-0-6 |
| Cream white | 7R (painted) | RAL 9001 | 9-47426-00-0-7R |
| Traffic white | 7X (coloured) | RAL 9016 | 9-47426-00-0-7 |
| Stainless-steel effect | 8X (painted) | Stainless-steel effect | 9-47426-00-0-8 |
| Light ivory | AN (painted) | RAL 1015 | 9-47426-00-0-AN |
| Light brown | AM (painted) | F4 light brown | 9-47426-00-0-AM |
| Titanium colour | CL (painted) | Titanium colour | 9-47426-00-0-C |
| Anthracite grey | DP (painted) | RAL 7016 | 9-47426-00-0-DP |

- Packaging: 100 pcs cover caps in cardboard box
- More colours are available on request

UNI-JET M6/4 – hinge-side accessories

Cover caps



Cover cap for rebate corner-hinge/corner-drive rebate-hinge without overlap screw-fixing via corner-hinge (long nose piece)

| Colours | GU internal ref. | Info | Order number |
|------------------------|------------------|------------------------|-------------------|
| Silver colour | 1N (painted) | EV1 | 9-40487-00-L/R-1 |
| Champagne | 2N (painted) | EV2 | 9-40487-00-L/R-2 |
| Vaporised brass | 3R (vaporised) | Vap. brass | 9-40487-00-L/R-3 |
| Brass colour | 3N (painted) | Brass col. | 9-40487-00-L/R-3N |
| Medium bronze | 4N (painted) | UC 3 | 9-40487-00-L/R-4 |
| Dark brown | 5X (coloured) | UC5 | 9-40487-00-L/R-5 |
| Clay brown | 54 (painted) | RAL 8003 | 9-40487-00-L/R-54 |
| Black | 6N (painted) | RAL 9005 | 9-40487-00-L/R-6 |
| Cream white | 7R (painted) | RAL 9001 | 9-40487-00-L/R-7R |
| Traffic white | 7X (coloured) | RAL 9016 | 9-40487-00-L/R-7 |
| Stainless-steel effect | 8X (painted) | Stainless-steel effect | 9-40487-00-L/R-8 |
| Light ivory | AN (painted) | RAL 1015 | 9-40487-00-L/R-AN |
| Light brown | AM (painted) | F4 light brown | 9-40487-00-L/R-AM |
| Titanium colour | CL (painted) | Titanium colour | 9-40487-00-L/R-C |
| Anthracite grey | DP (painted) | RAL 7016 | 9-40487-00-L/R-DP |

- Special hinge-side solution for timber profiles where e.g. there is insufficient overlap height to attach standard M6 rebate corner-hinges.
- This cover is equipped with a long nose piece covering the visible area between the overlap and rebate corner-hinge.
- Compatible with
 - rebate corner-hinge 6-38595-□□ and
 - corner-drive rebate-hinge 6-39002-□□ / 6-39003-□□



Cover cap for rebate corner-hinge/corner-drive rebate-hinge without overlap screw-fixing via corner-hinge (short nose piece)

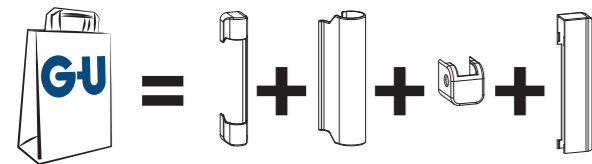
| Colours | GU internal ref. | Info | Order number |
|------------------------|------------------|------------------------|-------------------|
| Silver colour | 1N (painted) | EV1 | 9-37725-00-L/R-1 |
| Champagne | 2N (painted) | EV2 | 9-37725-00-L/R-2 |
| Vaporised brass | 3R (vaporised) | Vap. brass | 9-37725-00-L/R-3 |
| Brass colour | 3N (painted) | Brass col. | 9-37725-00-L/R-3N |
| Medium bronze | 4N (painted) | UC 3 | 9-37725-00-L/R-4 |
| Dark brown | 5X (coloured) | UC5 | 9-37725-00-L/R-5 |
| Clay brown | 54 (painted) | RAL 8003 | 9-37725-00-L/R-54 |
| Black | 6N (painted) | RAL 9005 | 9-37725-00-L/R-6 |
| Cream white | 7R (painted) | RAL 9001 | 9-37725-00-L/R-7R |
| Traffic white | 7X (coloured) | RAL 9016 | 9-37725-00-L/R-7 |
| Stainless-steel effect | 8X (painted) | Stainless-steel effect | 9-37725-00-L/R-8 |
| Light ivory | AN (painted) | RAL 1015 | 9-37725-00-L/R-AN |
| Light brown | AM (painted) | F4 light brown | 9-37728-00-L/R-AM |
| Titanium colour | CL (painted) | Titanium colour | 9-37728-00-L/R-C |
| Anthracite grey | DP (painted) | RAL 7016 | 9-37728-00-L/R-DP |

- Special hinge-side solution for timber profiles where e.g. there is insufficient overlap height to attach standard M6 rebate corner-hinges.
- This cover is equipped with a short nose piece and used if the rebate corner-hinge butts directly against the overlap.
- Compatible with
 - rebate corner-hinge 6-38595-□□ and
 - corner-drive rebate-hinge 6-39002-□□ / 6-39003-□□

- Packaging: 100 pcs cover caps in cardboard box
- More colours are available on request

UNI-JET M6/4 – hinge-side accessories

Covers set



- 1 set of cover caps in poly-bag
K-18677-00-L/R-□ =
- 1 pc 9-47334-01-0-□ (stay-bearing)
- 1 pc 9-47796-01-0-□ (stay-hinge)
- 1 pc 9-42683-00-0-□ (pivot-rest)
- 1 pc 9-47782-00-L/R-□ (rebate corner-hinge)

| Cover caps set, hinge-side M6 (Tilt&Turn) | | | |
|---|------------------|------------------------|-------------------|
| Colours | GU internal ref. | Info | Order number |
| Silver colour | 1N (painted) | EV1 | K-18677-00-L/R-1 |
| Champagne | 2N (painted) | EV2 | K-18677-00-L/R-2 |
| Vaporised brass | 3L (vaporised) | Vap. brass | K-18677-00-L/R-3 |
| Brass colour | 3N (painted) | Brass col. | K-18677-00-L/R-3N |
| Medium bronze | 4N (painted) | UC 3 | K-18677-00-L/R-4 |
| Dark brown | 5X (coloured) | UC5 | K-18677-00-L/R-5 |
| Clay brown | 54 (painted) | RAL 8003 | K-18677-00-L/R-54 |
| Black | 6N (painted) | RAL 9005 | K-18677-00-L/R-6 |
| Cream white | 7R (painted) | RAL 9001 | K-18677-00-L/R-7R |
| Traffic white | 7X (coloured) | RAL 9016 | K-18677-00-L/R-7 |
| Stainless-steel effect | 8X (painted) | Stainless-steel effect | K-18677-00-L/R-8 |
| Light ivory | AN (painted) | RAL 1015 | K-18677-00-L/R-AN |
| Light brown | AM (painted) | F4 light brown | K-18677-00-L/R-AM |
| Titanium colour | CL (painted) | Titanium colour | K-18677-00-L/R-C |
| Anthracite grey | DP (painted) | RAL 7016 | K-18677-00-L/R-DP |

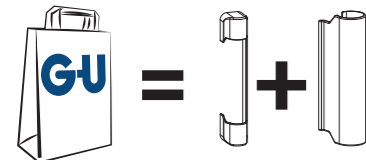


Table of contents



UNI-JET S

| | |
|--|-----|
| Tilt&Turn / Tilt-First sash – up to max. 130 kg sash weight | 364 |
| Turn-Only sash – up to max. 130 kg sash weight | 366 |
| Tilt-Only sash (handle at horizontal top) – up to max. 80 kg sash weight | 368 |
| Tilt-Only sash (handle on the side) – up to max. 100 kg sash weight | 370 |
| Tilt&Turn sash, pitched window – up to max. 100 kg sash weight | 372 |
| Tilt&Turn sash, arched window – up to max. 80 kg sash weight | 374 |
| Hinge-side accessories | 376 |



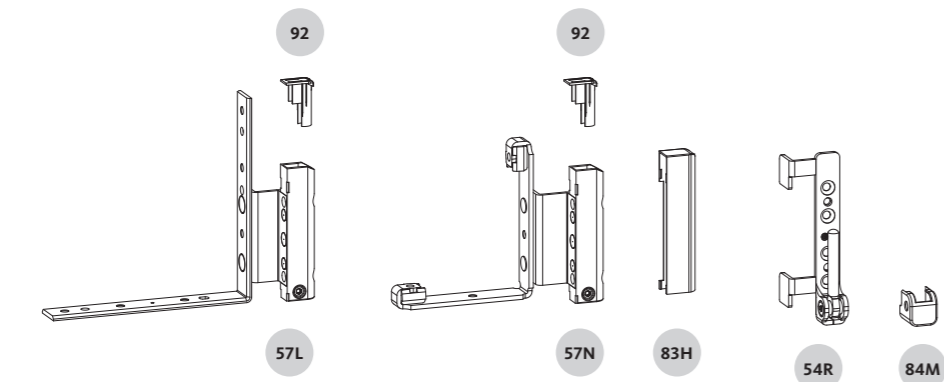
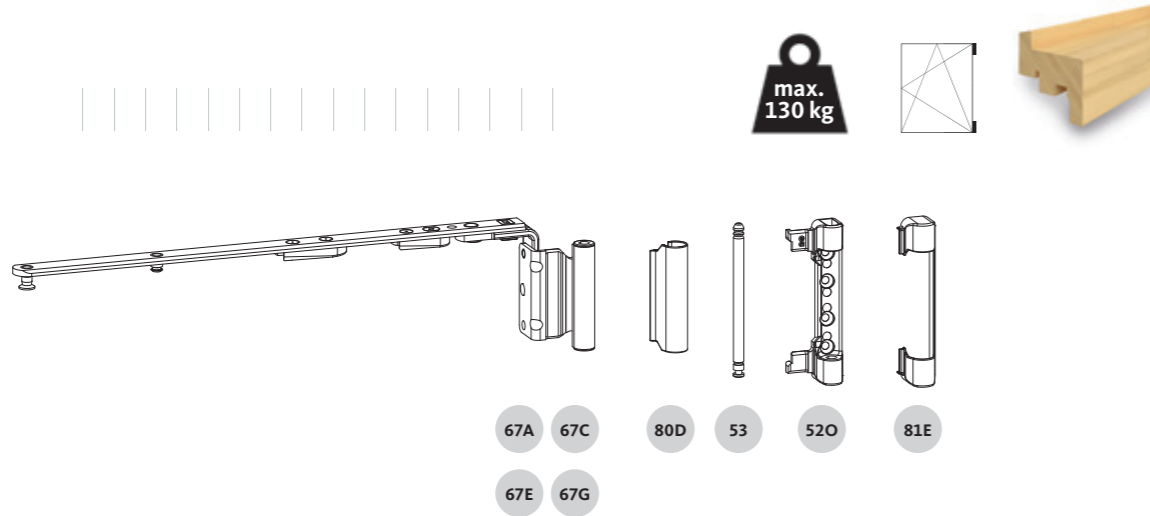
- 1 set of cover caps in poly-bag
K-18682-00-L/R-□ =
- 1 pc 9-47334-01-0-□ (stay-bearing)
- 1 pc 9-47796-01-0-□ (stay-hinge)

| Cover caps set, hinge-side M6 (Turn-Only centre rebate-hinge) | | | |
|---|------------------|------------------------|-----------------|
| Colours | GU internal ref. | Info | Order number |
| Silver colour | 1N (painted) | EV1 | K-18682-00-0-1 |
| Champagne | 2N (painted) | EV2 | K-18682-00-0-2 |
| Vaporised brass | 3L (vaporised) | Vap. brass | K-18682-00-0-3 |
| Brass colour | 3N (painted) | Brass col. | K-18682-00-0-3N |
| Medium bronze | 4N (painted) | UC 3 | K-18682-00-0-4 |
| Dark brown | 5X (coloured) | UC5 | K-18682-00-0-5 |
| Clay brown | 54 (painted) | RAL 8003 | K-18682-00-0-54 |
| Black | 6N (painted) | RAL 9005 | K-18682-00-0-6 |
| Cream white | 7R (painted) | RAL 9001 | K-18682-00-0-7R |
| Traffic white | 7X (coloured) | RAL 9016 | K-18682-00-0-7 |
| Stainless-steel effect | 8X (painted) | Stainless-steel effect | K-18682-00-0-8 |
| Light ivory | AN (painted) | RAL 1015 | K-18682-00-0-AN |
| Light brown | AM (painted) | F4 light brown | K-18682-00-0-AM |
| Titanium colour | CL (painted) | Titanium colour | K-18682-00-0-C |
| Anthracite grey | DP (painted) | RAL 7016 | K-18682-00-0-DP |

- Packaging: 1 set of cover caps in poly-bag. 100 pcs poly-bag in cardboard box
- More colours are available on request

UNI-JET S – Tilt&Turn / Tilt-First sash

Max. sash weight 130 kg



Tested hardware load-bearing capacity

- Max. 130 kg see application diagram 0-45559
- Installation drawing 0-46604

Order example

Sash overlap
18 or 20
6-39121-□□-L/R-1

UNI-JET S – Tilt&Turn / Tilt-First sash

Max. sash weight 130 kg



Upper hinge-side

| Tilt&Turn stay-arm, AX 9 mm | | | | |
|-----------------------------|-----------|--------|----|------------------|
| Item | SRW | Length | PU | Order number |
| 67A | 280-500 | 230 | 10 | 6-39121-□□-L/R-1 |
| | 501-750 | 314 | | 6-39122-□□-L/R-1 |
| | 751-1200 | 455 | | 6-39123-□□-L/R-1 |
| | 1201-1600 | 615 | | 6-39124-□□-L/R-1 |

| Tilt&Turn stay-arm, AX 13 mm | | | | |
|------------------------------|-----------|--------|----|------------------|
| Item | SRW | Length | PU | Order number |
| 67C | 280-500 | 230 | 10 | 6-39125-□□-L/R-1 |
| | 501-750 | 314 | | 6-39126-□□-L/R-1 |
| | 751-1200 | 455 | | 6-39127-□□-L/R-1 |
| | 1201-1600 | 615 | | 6-39128-□□-L/R-1 |

| Tilt-First stay-arm, AX 9 mm | | | | |
|------------------------------|-----------|--------|----|------------------|
| Item | SRW | Length | PU | Order number |
| 67E | 280-500 | 230 | 10 | 6-39137-□□-L/R-1 |
| | 501-750 | 314 | | 6-39138-□□-L/R-1 |
| | 751-1200 | 455 | | 6-39139-□□-L/R-1 |
| | 1201-1600 | 615 | | 6-39140-□□-L/R-1 |

| Tilt-First stay-arm, AX 13 mm | | | | |
|-------------------------------|-----------|--------|----|------------------|
| Item | SRW | Length | PU | Order number |
| 67G | 280-500 | 230 | 10 | 6-39141-□□-L/R-1 |
| | 501-750 | 314 | | 6-39142-□□-L/R-1 |
| | 751-1200 | 455 | | 6-39143-□□-L/R-1 |
| | 1201-1600 | 615 | | 6-39144-□□-L/R-1 |

| Cover cap for stay-hinge | | | |
|--------------------------|--------------|-----|----------------|
| Item | Colours | PU | Order number |
| 80D | See page 384 | 100 | 9-47795-01-0-□ |

| Stay-bearing pin | | | |
|------------------|---------|-----|----------------|
| Item | Colours | PU | Order number |
| 53 | | 100 | 9-48898-00-0-1 |

| Stay-bearing S | | | |
|----------------|------------|-----|----------------|
| Item | System | PU | Order number |
| 52O | 12/18-9+13 | 100 | 6-36026-18-0-1 |
| | 12/20-9+13 | | 6-36026-20-0-1 |

| Cover cap for stay-bearing | | | |
|----------------------------|--------------|-----|----------------|
| Item | Colours | PU | Order number |
| 81E | See page 385 | 100 | 9-47334-02-0-□ |

Lower hinge-side

| Rebate corner-hinge – without hardware groove, without turn-brake | | | |
|---|------------|----|------------------|
| Item | System | PU | Order number |
| 57L | 12/18-9+13 | 50 | 6-36893-□□-L/R-1 |
| | 12/20-9+13 | | |

| Rebate corner-hinge – with hardware groove, without turn-brake | | | |
|--|----------|----|------------------|
| Item | System | PU | Order number |
| 57N | 12/18-9 | 50 | 6-36138-□□-L/R-1 |
| | 12/20-9 | | |
| | 12/18-13 | | 6-36139-□□-L/R-1 |
| | 12/20-13 | | |

| Plug | | | |
|------|--------------|-----|----------------|
| Item | Colours | PU | Order number |
| 92 | See page 388 | 100 | 9-47426-00-0-□ |

| Cover cap for rebate corner-hinge | | | |
|-----------------------------------|--------------|-----|------------------|
| Item | Colours | PU | Order number |
| 83H | See page 387 | 100 | 9-47782-00-L/R-□ |

| Pivot-rest S | | | |
|--------------|------------|-----|------------------|
| Item | System | PU | Order number |
| 54R | 12/18-9+13 | 100 | 6-37531-□□-L/R-1 |
| | 12/20-9+13 | | |

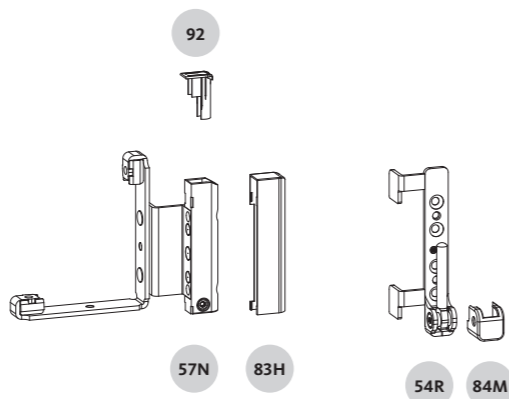
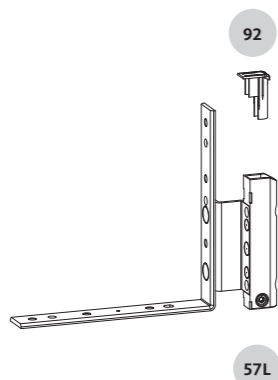
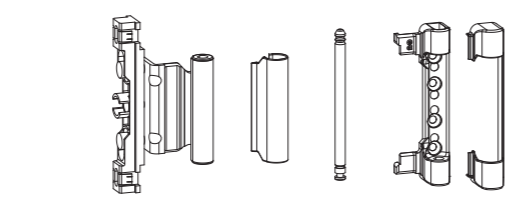
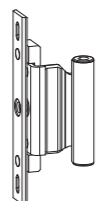
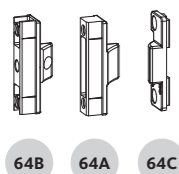
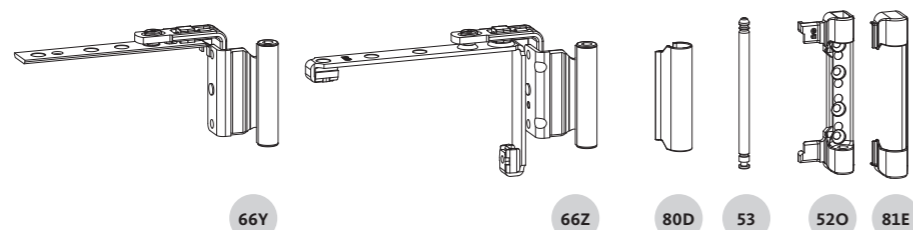
| Cover cap for pivot-rest | | | |
|--------------------------|--------------|-----|------------------|
| Item | Colours | PU | Order number |
| 84M | See page 386 | 100 | 9-42683-00-L/R-□ |

General Information

- For Tilt&Turn: with T&T additional stay (8-00734-00-0-1).
Sash weight < 100 kg: SRW 1301-1600, Sash weight > 100 kg: SRW 1201-1600
- For Tilt-First: with TF additional stay (G-45995-00-0-1).
Sash weight < 100 kg: SRW 1301-1600, Sash weight > 100 kg: SRW 1201-1600

UNI-JET S – Turn-Only sash

Max. sash weight 130 kg



Tested hardware load-bearing capacity

- Max. 130 kg see application diagram 0-45559
- Installation drawing 0-46604

Order example

Sash overlap
18 or 20
6-39150-□□-0-1

UNI-JET S – Turn-Only sash

Max. sash weight 130 kg



Upper hinge-side

| Turn-Only hinge S – without hardware groove | | | |
|---|------------|----|----------------|
| Item | System | PU | Order number |
| 66Y | 12/18-9+13 | 50 | 6-39150-□□-0-1 |
| | 12/20-9+13 | | |

| Turn-Only hinge S – with circumferential hardware groove | | | |
|--|----------|----|----------------|
| Item | System | PU | Order number |
| 66Z | 12/18-9 | 50 | 6-39147-□□-0-1 |
| | 12/20-9 | | 6-39148-□□-0-1 |
| | 12/18-13 | | |
| | 12/20-13 | | |

| Cover cap for stay-hinge | | | |
|--------------------------|--------------|-----|----------------|
| Item | Colours | PU | Order number |
| 80D | See page 384 | 100 | 9-47795-01-0-□ |

| Stay-bearing pin | | | |
|------------------|--|-----|----------------|
| Item | | PU | Order number |
| 53 | | 100 | 9-48898-00-0-1 |

| Stay-bearing S | | | |
|----------------|------------|-----|----------------|
| Item | System | PU | Order number |
| 52O | 12/18-9+13 | 100 | 6-36026-□□-0-0 |
| | 12/20-9+13 | | |

| Cover cap for stay-bearing | | | |
|----------------------------|--------------|-----|----------------|
| Item | Colours | PU | Order number |
| 81E | See page 385 | 100 | 9-47334-02-0-□ |

Lower hinge-side

| Rebate corner-hinge – without hardware groove, without turn-brake | | | |
|---|------------|----|------------------|
| Item | System | PU | Order number |
| 57L | 12/18-9+13 | 50 | 6-36893-□□-L/R-1 |
| | 12/20-9+13 | | |

| Rebate corner-hinge – with hardware groove, without turn-brake | | | |
|--|----------|----|------------------|
| Item | System | PU | Order number |
| 57N | 12/18-9 | 50 | 6-36138-□□-L/R-1 |
| | 12/20-9 | | |
| | 12/18-13 | | 6-36139-□□-L/R-1 |
| | 12/20-13 | | |

| Plug | | | |
|------|--------------|-----|----------------|
| Item | Colours | PU | Order number |
| 92 | See page 388 | 100 | 9-47426-00-0-□ |

| Cover cap for rebate corner-hinge | | | |
|-----------------------------------|--------------|-----|------------------|
| Item | Colours | PU | Order number |
| 83H | See page 387 | 100 | 9-47782-00-L/R-□ |

| Pivot-rest S | | | |
|--------------|------------|-----|------------------|
| Item | System | PU | Order number |
| 54R | 12/18-9+13 | 100 | 6-37531-□□-L/R-1 |
| | 12/20-9+13 | | |

| Cover cap for pivot-rest | | | |
|--------------------------|--------------|-----|------------------|
| Item | Colours | PU | Order number |
| 84M | See page 386 | 100 | 9-42683-00-L/R-□ |

Centre hinge-side

| Centre-closer, concealed, sash part (adjustable) | | | |
|--|--|-----|----------------|
| Item | | PU | Order number |
| 64B | | 100 | 6-34229-00-0-1 |

| Centre-closer, concealed, sash part (not adjustable) | | | |
|--|----------------------|-----|----------------|
| Item | | PU | Order number |
| 64A | with hardware groove | 100 | 9-40564-00-0-1 |
| | w/o hardware groove | | 9-40875-00-0-1 |

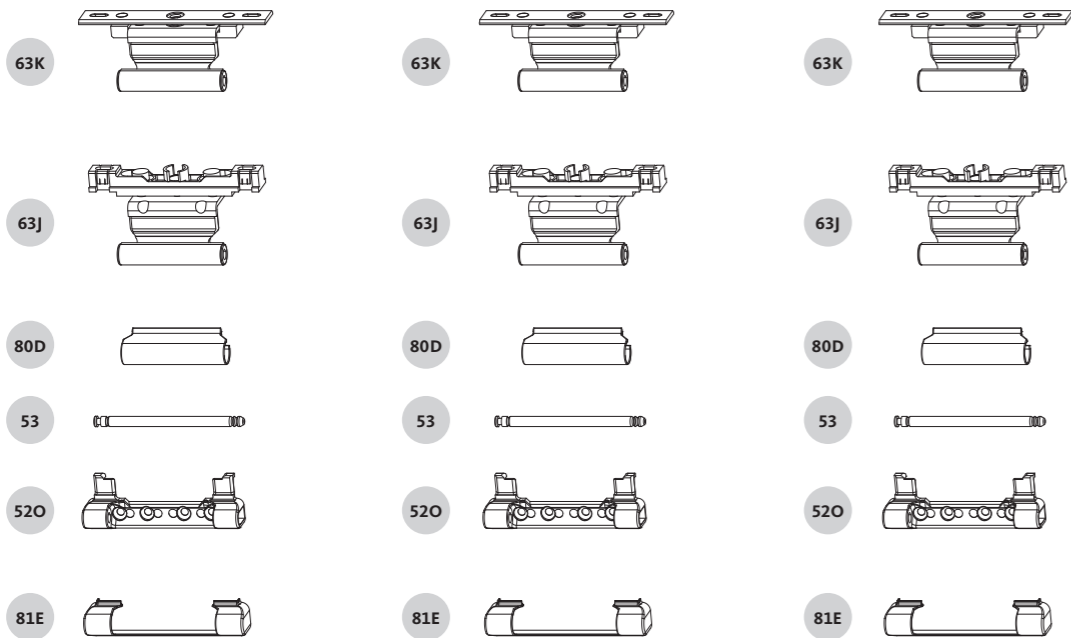
| Centre-closer, concealed, frame part | | | |
|--------------------------------------|-----------------------|-----|----------------|
| Item | Timber profile system | PU | Order number |
| 64C | flat rebate 18 x 8 mm | 100 | 9-40872-00-0-1 |
| | flat rebate 20 x 8 mm | | 9-40872-00-0-1 |
| | flat rebate 24 x 8 mm | | 9-41850-00-0-1 |
| | flat rebate 30 x 8 mm | | 9-41850-30-0-1 |

| Turn-Only centre rebate-hinge S – without hardware groove | | | |
|---|------------|-----|----------------|
| Item | System | PU | Order number |
| 62K | 12/18-9+13 | 100 | 6-36844-□□-0-1 |
| | 12/20-9+13 | | |

| Turn-Only centre rebate-hinge S – with hardware groove | | | |
|--|----------|-----|----------------|
| Item | System | PU | Order number |
| 62J | 12/18-9 | 100 | 6-36841-□□-0-1 |
| | 12/20-9 | | |
| | 12/18-13 | | 6-36842-□□-0-1 |
| | 12/20-13 | | |

UNI-JET S – Tilt-Only sash (handle horizontal at top)

Max. sash weight 80 kg



Tested hardware load-bearing capacity

- Max. 80 kg see application diagram 0-46854

Order example

Sash overlap
18 or 20
6-36845-□□-0-1

UNI-JET S – Tilt-Only sash (handle horizontal at top)

Max. sash weight 80 kg



Upper hinge-side

Tilt-Only hinge S – without hardware groove [1]

| Item | System | PU | Order number |
|------|------------|-----|----------------|
| 63K | 12/18-9+13 | 100 | 6-36845-□□-0-1 |
| | 12/20-9+13 | | |

Tilt-Only hinge S – with hardware groove [1]

| Item | System | PU | Order number |
|------|----------|-----|----------------|
| 63J | 12/18-9 | 100 | 6-36838-□□-0-1 |
| | 12/20-9 | | |
| | 12/18-13 | | 6-36839-□□-0-1 |
| | 12/20-13 | | |

Cover cap for stay-hinge

| Item | Colours | PU | Order number |
|------|--------------|-----|----------------|
| 80D | See page 384 | 100 | 9-47795-01-0-□ |

Stay-bearing pin

| Item | PU | Order number |
|------|-----|----------------|
| 53 | 100 | 9-48898-00-0-1 |

Stay-bearing S

| Item | System | PU | Order number |
|------|------------|-----|----------------|
| 52O | 12/18-9+13 | 100 | 6-36026-□□-0-□ |
| | 12/20-9+13 | | |

Cover cap for stay-bearing

| Item | Colours | PU | Order number |
|------|--------------|-----|----------------|
| 81E | See page 385 | 100 | 9-47334-02-0-□ |

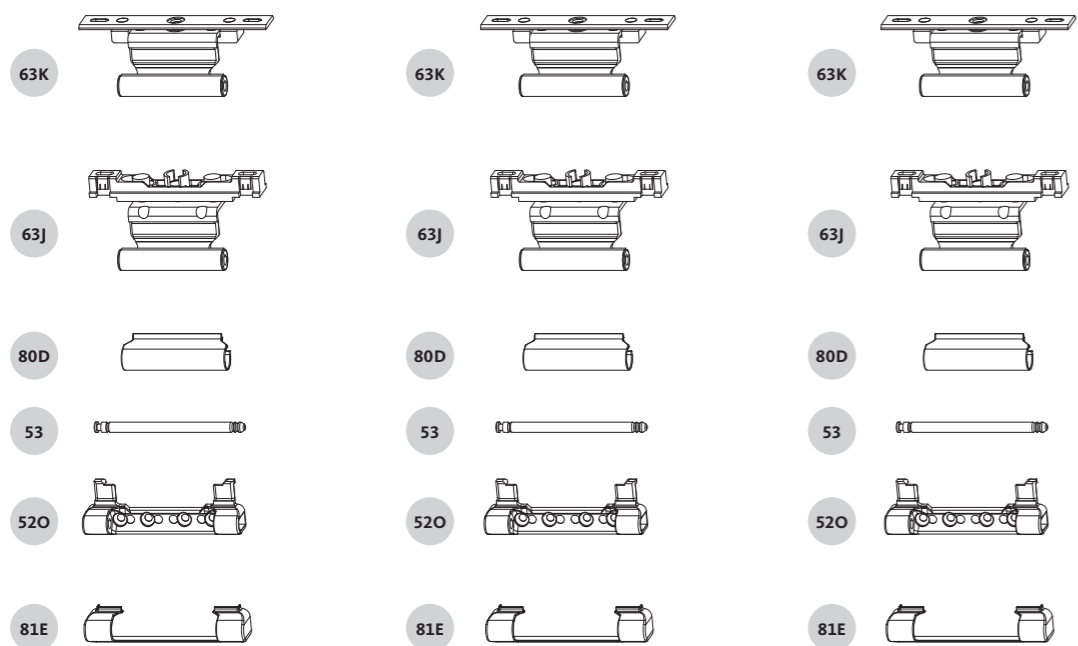
[1] SRW < 1200 mm, 2 pcs Tilt-Only hinges.
SRW > 1201 mm, 3 pcs Tilt-Only hinges.

UNI-JET S – Tilt-Only sash (handle on the side)

Max. sash weight 100 kg



81E 52O 53 80D 67I 67K



Tested hardware load-bearing capacity

- Max. 100 kg

Order example

Sash overlap
18 or 20
6-36026-□□-0-1

UNI-JET S – Tilt-Only sash (handle on the side)

Max. sash weight 100 kg



Upper hinge-side

| Cover cap for stay-bearing | | | |
|----------------------------|--------------|-----|----------------|
| Item | Colours | PU | Order number |
| 81E | See page 356 | 100 | 9-47334-02-0-□ |

| Stay-bearing S | | | |
|----------------|------------|-----|----------------|
| Item | System | PU | Order number |
| 52O | 12/18-9+13 | 100 | 6-36026-□□-0-1 |
| | 12/20-9+13 | | |

| Stay-bearing pin | | | |
|------------------|---------|-----|----------------|
| Item | Colours | PU | Order number |
| 53 | | 100 | 9-48898-00-0-1 |

| Cover cap for stay-hinge | | | |
|--------------------------|--------------|-----|----------------|
| Item | Colours | PU | Order number |
| 80D | See page 384 | 100 | 9-47795-01-0-□ |

| Tilt-Only stay-arm, AX 9 mm | | | | |
|-----------------------------|---------------|--------|----|------------------|
| Item | SRW | Length | PU | Order number |
| 67I | 1320-2220 [1] | 460 | 10 | 6-39145-□□-L/R-1 |

| Tilt-Only stay-arm, AX 13 mm | | | | |
|------------------------------|---------------|--------|----|------------------|
| Item | SRW | Length | PU | Order number |
| 67K | 1320-2220 [1] | 460 | 10 | 6-39146-□□-L/R-1 |

Lower hinge-side

| Tilt-Only hinge S – without hardware groove [2] | | | |
|---|------------|-----|----------------|
| Item | System | PU | Order number |
| 63K | 12/18-9+13 | 100 | 6-36845-□□-0-1 |
| | 12/20-9+13 | | |

| Tilt-Only hinge S – with hardware groove [2] | | | |
|--|----------|-----|----------------|
| Item | System | PU | Order number |
| 63J | 12/18-9 | 100 | 6-36838-□□-0-1 |
| | 12/20-9 | | |
| | 12/18-13 | | 6-36839-□□-0-1 |
| | 12/20-13 | | |

| Cover cap for stay-hinge | | | |
|--------------------------|--------------|-----|----------------|
| Item | Colours | PU | Order number |
| 80D | See page 384 | 100 | 9-47795-01-0-□ |

| Stay-bearing pin | | | |
|------------------|---------|-----|----------------|
| Item | Colours | PU | Order number |
| 53 | | 100 | 9-48898-00-0-1 |

| Stay-bearing S | | | |
|----------------|------------|-----|----------------|
| Item | System | PU | Order number |
| 52O | 12/18-9+13 | 100 | 6-36026-□□-0-1 |
| | 12/20-9+13 | | |

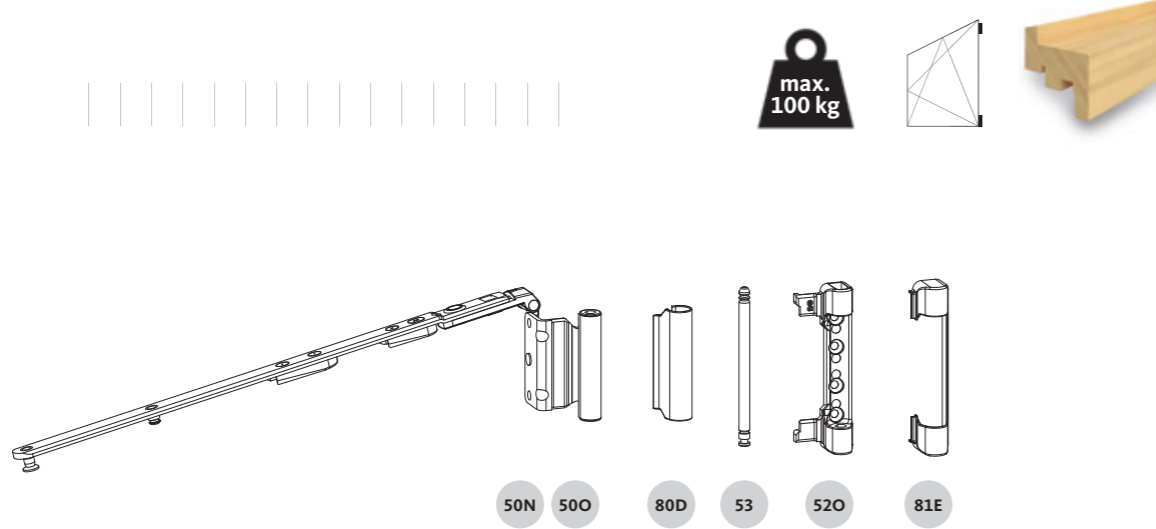
| Cover cap for stay-bearing | | | |
|----------------------------|--------------|-----|----------------|
| Item | Colours | PU | Order number |
| 81E | See page 385 | 100 | 9-47334-02-0-□ |

[1] For wide Tilt-Only sashes up to SRW 2220 mm in conjunction with Tilt-Only stay-guide 6-32183-□□ and extension 6-32334-00. Observe installation drawing 0-44401.

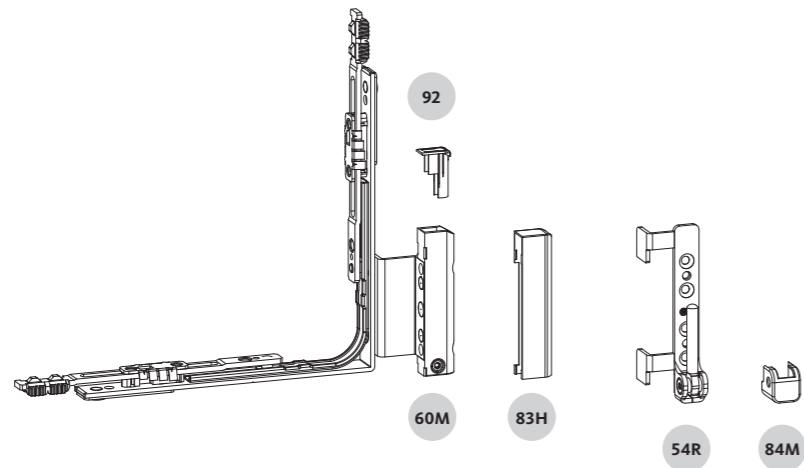
[2] SRW < 1200 mm, 2 pcs Tilt-Only hinges.
SRW > 1201 mm, 3 pcs Tilt-Only hinges.

UNI-JET S – Tilt&Turn sash – pitched window

Max. sash weight 100 kg



50N 50O 80D 53 52O 81E



92 60M 83H 54R 84M

Tested hardware load-bearing capacity

- Max. 100 kg see application diagrams 0-45877, 0-45878, 0-45879, 0-45880
- Installation drawing 0-46742

Order example

Sash overlap
18 or 20
6-36818-□□-0-1

UNI-JET S – Tilt&Turn sash – pitched window

Max. sash weight 100 kg



Upper hinge-side

| Pitched window stay-arm, AX 9 mm | | | |
|-----------------------------------|-----------|----|----------------|
| Item | SRW P | PU | Order number |
| 50N | 410-510 | 10 | 6-36818-□□-0-1 |
| | 511-760 | | 6-36819-□□-0-1 |
| | 761-1210 | | 6-36820-□□-0-1 |
| | 1211-1460 | | 6-36821-□□-0-1 |
| Pitched window stay-arm, AX 13 mm | | | |
| 50O | 410-510 | 10 | 6-36822-□□-0-1 |
| | 511-760 | | 6-36823-□□-0-1 |
| | 761-1210 | | 6-36824-□□-0-1 |
| | 1211-1460 | | 6-36825-□□-0-1 |

| Cover cap for stay-hinge | | | |
|--------------------------|--------------|-----|----------------|
| Item | Colours | PU | Order number |
| 80D | See page 384 | 100 | 9-47795-01-0-□ |

| Stay-bearing pin | | | |
|------------------|--|-----|----------------|
| Item | | PU | Order number |
| 53 | | 100 | 9-48898-00-0-1 |

| Stay-bearing S | | | |
|----------------|------------|-----|----------------|
| Item | System | PU | Order number |
| 52O | 12/18-9+13 | 100 | 6-36026-□□-0-1 |
| | 12/20-9+13 | | |

| Cover cap for stay-bearing | | | |
|----------------------------|--------------|-----|----------------|
| Item | Colours | PU | Order number |
| 81E | See page 385 | 100 | 9-47334-02-0-□ |

Lower hinge-side

| Corner-drive rebate-hinge S – with turn-brake | | | |
|---|----------|----|------------------|
| Item | System | PU | Order number |
| 60M | 12/18-9 | 10 | 6-36890-□□-L/R-1 |
| | 12/20-9 | | |
| | 12/18-13 | | 6-36891-□□-L/R-1 |
| | 12/20-13 | | |

| Plug | | | |
|------|--------------|-----|----------------|
| Item | Colours | PU | Order number |
| 92 | See page 388 | 100 | 9-47426-00-0-□ |

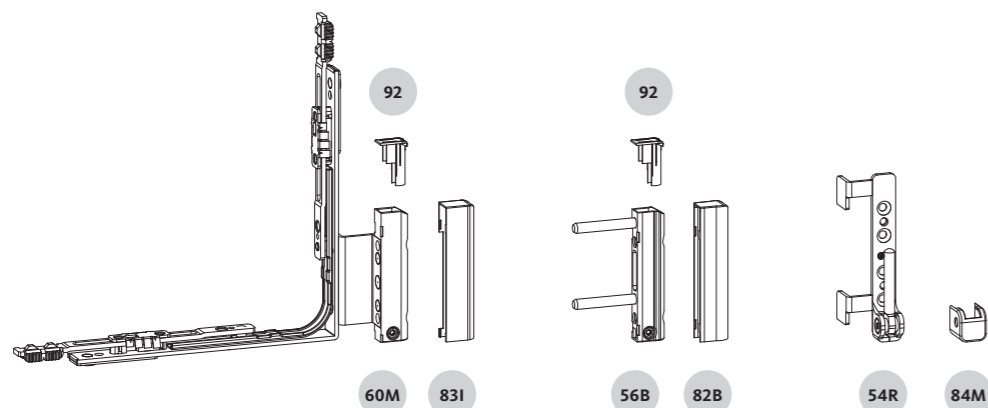
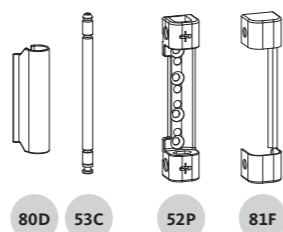
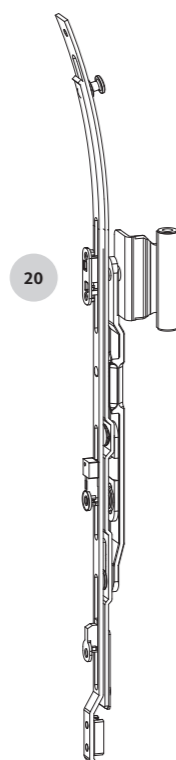
| Cover for corner-drive rebate-hinge | | | |
|-------------------------------------|--------------|-----|------------------|
| Item | Colours | PU | Order number |
| 83I | See page 387 | 100 | 9-47782-00-L/R-□ |

| Pivot-rest S | | | |
|--------------|------------|-----|------------------|
| Item | System | PU | Order number |
| 54R | 12/18-9+13 | 100 | 6-37531-□□-L/R-1 |
| | 12/20-9+13 | | |

| Cover cap for pivot-rest | | | |
|--------------------------|--------------|-----|------------------|
| Item | Colours | PU | Order number |
| 84M | See page 386 | 100 | 9-42683-00-L/R-□ |

UNI-JET S – Tilt&Turn sash – arched window

Max. sash weight 80 kg



Tested hardware load-bearing capacity

- Max. 80 kg see application diagram 0-47727
- Installation drawing 0-47637 for hinge-side
- Installation drawing 0-47299 for central locking system

Order example

Sash overlap
18 or 20
6-36026-□□-0-1

UNI-JET S – Tilt&Turn sash – arched window

Max. sash weight 80 kg



Upper hinge-side

| Arched stay, AX 9 mm | | | | | |
|-----------------------|----------|----------|-------|----|----------------|
| Item | SRW | SRH RA | LC-MA | PU | Order number |
| 20 | 455-1250 | 470-2090 | 1 | 10 | 6-39336-□□-0-1 |
| Arched stay, AX 13 mm | | | | | |
| 20 | 455-1250 | 470-2090 | 1 | 10 | 6-39337-□□-0-1 |

| Cover cap for stay-hinge | | | |
|--------------------------|--------------|-----|----------------|
| Item | Colours | PU | Order number |
| 80D | See page 384 | 100 | 9-47795-01-0-□ |

| Stay-bearing pin | | | |
|------------------|---------|-----|----------------|
| Item | Colours | PU | Order number |
| 53C | | 100 | 9-50141-00-0-1 |

| Stay-bearing | | | |
|--------------|---------------------------------|-----|----------------|
| Item | Colours | PU | Order number |
| 52P | Positioning pin Ø 3, L = 2.5 mm | 100 | 6-39063-03-0-1 |

| Cover cap for stay-bearing | | | |
|----------------------------|--------------|-----|----------------|
| Item | Colours | PU | Order number |
| 81F | See page 385 | 100 | 9-50710-00-0-□ |

Lower hinge-side

| Corner-drive rebate-hinge S – with turn-brake | | | |
|---|----------|----|------------------|
| Item | System | PU | Order number |
| 60M | 12/18-9 | 10 | 6-36890-□□-L/R-1 |
| | 12/20-9 | | |
| | 12/18-13 | | 6-36891-□□-L/R-1 |
| | 12/20-13 | | |

| Cover for corner-drive rebate-hinge | | | |
|-------------------------------------|--------------|-----|------------------|
| Item | Colours | PU | Order number |
| 83I | See page 387 | 100 | 9-47782-00-L/R-□ |

| Plug | | | |
|------|--------------|-----|----------------|
| Item | Colours | PU | Order number |
| 92 | See page 388 | 100 | 9-47426-00-0-□ |

| Drill-in hinge | | | |
|----------------|--------------------------------|-----|----------------|
| Item | Colours | PU | Order number |
| 56B | Positioning pin Ø 6, L = 37 mm | 100 | 6-36180-03-0-1 |

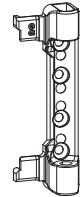
| Cover cap for drill-in hinge | | | |
|------------------------------|--------------|-----|----------------|
| Item | Colours | PU | Order number |
| 82B | See page 387 | 100 | 9-47783-01-0-□ |

| Pivot-rest S | | | |
|--------------|------------|-----|------------------|
| Item | System | PU | Order number |
| 54R | 12/18-9+13 | 100 | 6-37531-□□-L/R-1 |
| | 12/20-9+13 | | |

| Cover cap for pivot-rest | | | |
|--------------------------|--------------|-----|------------------|
| Item | Colours | PU | Order number |
| 84M | See page 386 | 100 | 9-42683-00-L/R-□ |

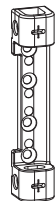
UNI-JET S – hinge-side accessories

Stay-bearing



| Stay-bearing S | | | |
|----------------|------------|-----|----------------|
| Item | System | PU | Order number |
| 52O | 12/18-9+13 | 100 | 6-36026-18-0-1 |
| | 12/20-9+13 | | 6-36026-20-0-1 |

- Compatible with hinge-side S – up to 130 kg sash weight
- Flat face-fixed: can be fabricated without drilling jigs thanks to integrated lateral stops
- Machining on pre-glued frame
- Version with flush overlap
- A stay-bearing pin must be ordered separately with every stay-bearing



| Stay-bearing for round arch | | | |
|-----------------------------|------------|-----|----------------|
| Item | System | PU | Order number |
| 52P | 12/18-9+13 | 100 | 6-39063-03-0-1 |
| | 12/20-9+13 | | |

UNI-JET S – hinge-side accessories

Stay-bearing pin



| Stay-bearing pin | | | |
|------------------|-------------|-----|----------------|
| Item | Description | PU | Order number |
| 53 | | 100 | 9-48898-00-0-1 |

- To be ordered separately with each stay-bearing
- Compatible with the hinge-side D, S and M6 stay-bearings

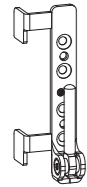


| Stay-bearing pin for round arch | | | |
|---------------------------------|-------------|-----|----------------|
| Item | Description | PU | Order number |
| 53C | | 100 | 9-50141-00-0-1 |

- To be ordered separately with each stay-bearing

UNI-JET S – hinge-side accessories

Pivot-rest

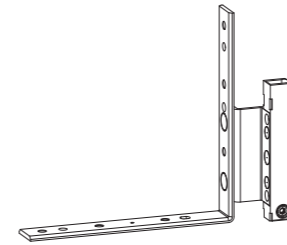


| Pivot-rest S | | | |
|--------------|----------|-----|------------------|
| Item | System | PU | Order number |
| 54R | 12/18-9 | 100 | 6-37531-18-L/R-1 |
| | 12/20-9 | | 6-37531-20-L/R-1 |
| | 12/18-13 | | 6-37531-18-L/R-1 |
| | 12/20-13 | | 6-37531-20-L/R-1 |

- Compatible with hinge-side S – up to 130 kg sash weight
- Flat face-fixed: can be fabricated without drilling jigs thanks to integrated lateral stops
- Machining on pre-glued frame
- Version with flush overlap

UNI-JET S – hinge-side accessories

Rebate corner-hinge



| Rebate corner-hinge – without hardware groove, without turn-brake | | | |
|---|------------|----|------------------|
| Item | System | PU | Order number |
| 57L | 12/18-9+13 | 50 | 6-36893-18-L/R-1 |
| | 12/20-9+13 | | 6-36893-20-L/R-1 |

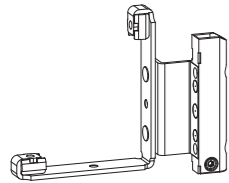
- Compatible with hinge-side S – up to 130 kg sash weight
- Suitable cover cap: 9-47782-00-L/R-□ (available colours refer to page 387)
- Easy to adjust without having to remove cap due to flexible adjusting cap 9-47426 on the rebate corner-hinge (available colours refer to page 388)

| Rebate corner-hinge – without hardware groove, with turn-brake | | | |
|--|------------|----|------------------|
| Item | System | PU | Order number |
| 57M | 12/18-9+13 | 50 | 6-36894-18-L/R-1 |
| | 12/20-9+13 | | 6-36894-20-L/R-1 |

- Compatible with hinge-side S – up to 130 kg sash weight
- Suitable cover cap: 9-47782-00-L/R-□ (available colours refer to page 387)
- Easy to adjust without having to remove cap due to flexible adjusting cap 9-47426 on the rebate corner-hinge (available colours refer to page 388)
- Adjustable concealed turn-brake prevents the sash from closing of its own accord (also with slight air draughts)

UNI-JET S – hinge-side accessories

Rebate corner-hinge

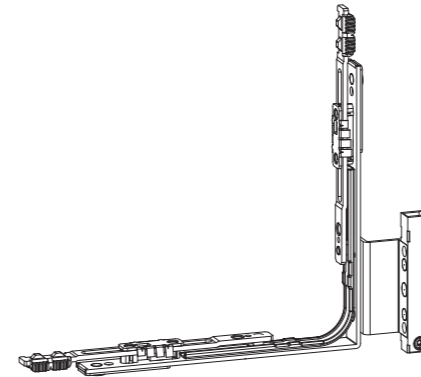


| Rebate corner-hinge – with hardware groove, without turn-brake | | | |
|--|----------|----|------------------|
| Item | System | PU | Order number |
| 57N | 12/18-9 | 50 | 6-36138-18-L/R-1 |
| | 12/20-9 | | 6-36138-20-L/R-1 |
| | 12/18-13 | | 6-36139-18-L/R-1 |
| | 12/20-13 | | 6-36139-20-L/R-1 |

- Compatible with hinge-side S – up to 130 kg sash weight
- Suitable cover cap: 9-47782-00-L/R-□ (available colours refer to page 387)
- Easy to adjust without having to remove cap due to flexible adjusting cap 9-47426 on the rebate corner-hinge (available colours refer to page 388)

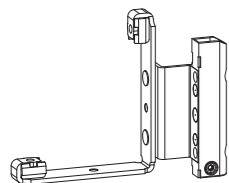
UNI-JET S – hinge-side accessories

Corner-drive rebate-hinge



| Corner-drive rebate-hinge S/100 – with turn-brake | | | |
|---|----------|----|------------------|
| Item | System | PU | Order number |
| 60M | 12/18-9 | 50 | 6-36890-18-L/R-1 |
| | 12/20-9 | | 6-36890-20-L/R-1 |
| | 12/18-13 | | 6-36891-18-L/R-1 |
| | 12/20-13 | | 6-36891-20-L/R-1 |

- Compatible with hinge-side S – up to 100 kg sash weight
- The corner-drive rebate-hinge combines the functions of rebate corner-hinge and corner-drive. The integrated corner-drive has the function of deflecting the hinge-side locking system around the corner at the bottom
- For arched and pitched windows with circumferential hardware groove
- Suitable cover cap: 9-47782-00-L/R-□ (available colours refer to page 387)
- Easy to adjust without having to remove cap due to flexible adjusting cap 9-47426 on the rebate corner-hinge (available colours refer to page 388)
- Adjustable concealed turn-brake prevents the sash from closing of its own accord (also with slight air draughts)

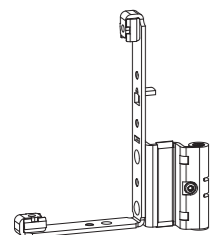


| Rebate corner-hinge – with hardware groove, with turn-brake | | | |
|---|----------|----|------------------|
| Item | System | PU | Order number |
| 57O | 12/18-9 | 50 | 6-36140-18-L/R-1 |
| | 12/20-9 | | 6-36140-20-L/R-1 |
| | 12/18-13 | | 6-36141-18-L/R-1 |
| | 12/20-13 | | 6-36141-20-L/R-1 |

- Compatible with hinge-side S – up to 130 kg sash weight
- Suitable cover cap: 9-47782-00-L/R-□ (available colours refer to page 387)
- Easy to adjust without having to remove cap due to flexible adjusting cap 9-47426 on the rebate corner-hinge (available colours refer to page 388)
- Adjustable concealed turn-brake prevents the sash from closing of its own accord (also with slight air draughts)

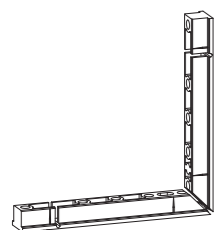
UNI-JET S – hinge-side accessories

Special solution: no overlap screw-fixing via corner-hinge



| Rebate corner-hinge S/130 – with hardware groove, with turn-brake | | | |
|---|----------|----|------------------|
| Item | System | PU | Order number |
| 59K | 12/18-9 | 50 | 6-37455-18-L/R-1 |
| | 12/20-9 | | 6-37455-20-L/R-1 |
| | 12/18-13 | | 6-37456-18-L/R-1 |
| | 12/20-13 | | 6-37456-20-L/R-1 |

- Compatible with hinge-side S – up to 130 kg sash weight
- Special hinge-side solution for timber profiles where e.g. there is insufficient overlap height to attach standard S rebate corner-hinges
- Screw-fixing in hardware groove only (not additionally in overlap as is the case with the standard S hinge-side)
- Can also be combined with optional groove packer 9-29533-00 (for windows with circumferential 16 mm hardware groove)
- Suitable cover cap: 9-40487-00-L/R-□ or 9-37725-00-L/R-□ (available colours refer to page 389)
- Adjustable concealed turn-brake prevents the sash from closing of its own accord (also with slight air draughts)

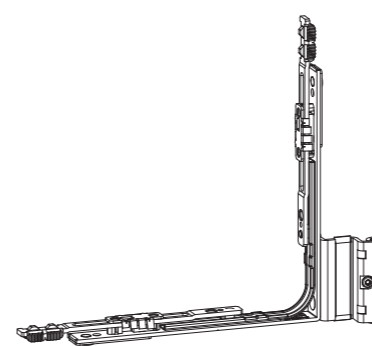


| Hardware-groove packer for rebate corner-hinge | | | |
|--|----------|----|----------------|
| Item | System | PU | Order number |
| 59H | 12/18-9 | 50 | 9-29533-00-0-1 |
| | 12/20-9 | | |
| | 12/18-13 | | |
| | 12/20-13 | | |

- Compatible with hinge-side S – up to 130 kg sash weight
- Suitable for use in sashes with 16 mm circumferential hardware groove in conjunction with rebate corner-hinge 6-37455-□□ and 6-37456-□□

UNI-JET S – hinge-side accessories

Special solution: no overlap screw-fixing via corner-hinge



| Corner-drive rebate-hinge S/100 – with turn-brake | | | |
|---|----------|----|------------------|
| Item | System | PU | Order number |
| 60I | 12/18-9 | 10 | 6-39000-18-L/R-1 |
| | 12/20-9 | | 6-39000-20-L/R-1 |
| | 12/18-13 | | 6-39001-18-L/R-1 |
| | 12/20-13 | | 6-39001-20-L/R-1 |

- Compatible with hinge-side S – up to 100 kg sash weight
- Special hinge-side solution for timber profiles where e.g. there is insufficient overlap height to attach standard S rebate corner-hinges
- Screw-fixing in hardware groove only (not additionally in overlap as is the case with the standard S hinge-side)
- Can be used in sashes with circumferential 16 mm hardware groove
- Suitable cover cap: 9-40487-00-L/R-□ or 9-37725-00-L/R-□ (available colours refer to page 389)
- The corner-drive rebate-hinge combines the functions of rebate corner-hinge and corner-drive. The integrated corner-drive has the function of deflecting the hinge-side locking system around the corner at the bottom
- Adjustable concealed turn-brake prevents the sash from closing of its own accord (also with slight air draughts)

UNI-JET S – hinge-side accessories

Cover caps



Cover cap for stay-hinge

| Colours | GU internal ref. | Info | Order number |
|------------------------|------------------|------------------------|-----------------|
| Silver colour | 1N (painted) | EV1 | 9-47795-01-0-1 |
| Champagne | 2N (painted) | EV2 | 9-47795-01-0-2 |
| Vaporised brass | 3R (vaporised) | Vap. brass | 9-47795-01-0-3 |
| Brass colour | 3N (painted) | Brass col. | 9-47795-01-0-3N |
| Medium bronze | 4N (painted) | UC 3 | 9-47795-01-0-4 |
| Dark brown | 5X (coloured) | UC5 | 9-47795-01-0-5 |
| Clay brown | 54 (painted) | RAL 8003 | 9-47795-01-0-54 |
| Black | 6N (painted) | RAL 9005 | 9-47795-01-0-6 |
| Cream white | 7R (painted) | RAL 9001 | 9-47795-01-0-7R |
| Traffic white | 7X (coloured) | RAL 9016 | 9-47795-01-0-7 |
| Stainless-steel effect | 8X (painted) | Stainless-steel effect | 9-47795-01-0-8 |
| Light ivory | AN (painted) | RAL 1015 | 9-47795-01-0-AN |
| Light brown | AM (painted) | F4 light brown | 9-47795-01-0-AM |
| Titanium colour | CL (painted) | Titanium colour | 9-47795-01-0-C |
| Anthracite grey | DP (painted) | RAL 7016 | 9-47795-01-0-DP |

- Packaging: 100 pcs cover caps in cardboard box
- More colours are available on request

UNI-JET S – hinge-side accessories

Cover caps



Cover cap for stay-bearing

| Colours | GU internal ref. | Info | Order number |
|------------------------|------------------|------------------------|-----------------|
| Silver colour | 1N (painted) | EV1 | 9-47334-02-0-1 |
| Champagne | 2N (painted) | EV2 | 9-47334-02-0-2 |
| Vaporised brass | 3R (vaporised) | Vap. brass | 9-47334-02-0-3 |
| Brass colour | 3N (painted) | Brass col. | 9-47334-02-0-3N |
| Medium bronze | 4N (painted) | UC 3 | 9-47334-02-0-4 |
| Dark brown | 5X (coloured) | UC5 | 9-47334-02-0-5 |
| Clay brown | 54 (painted) | RAL 8003 | 9-47334-02-0-54 |
| Black | 6N (painted) | RAL 9005 | 9-47334-02-0-6 |
| Cream white | 7R (painted) | RAL 9001 | 9-47334-02-0-7R |
| Traffic white | 7X (coloured) | RAL 9016 | 9-47334-02-0-7 |
| Stainless-steel effect | 8X (painted) | Stainless-steel effect | 9-47334-02-0-8 |
| Light ivory | AN (painted) | RAL 1015 | 9-47334-02-0-AN |
| Light brown | AM (painted) | F4 light brown | 9-47334-02-0-AM |
| Titanium colour | CL (painted) | Titanium colour | 9-47334-02-0-C |
| Anthracite grey | DP (painted) | RAL 7016 | 9-47334-02-0-DP |



Cover cap for round-arch stay-bearing

| Colours | GU internal ref. | Info | Order number |
|------------------------|------------------|------------------------|-----------------|
| Silver colour | 1N (painted) | EV1 | 9-50710-00-0-1 |
| Champagne | 2N (painted) | EV2 | 9-50710-00-0-2 |
| Vaporised brass | 3R (vaporised) | Vap. brass | 9-50710-00-0-3 |
| Brass colour | 3N (painted) | Brass col. | 9-50710-00-0-3N |
| Medium bronze | 4N (painted) | UC 3 | 9-50710-00-0-4 |
| Dark brown | 5X (coloured) | UC5 | 9-50710-00-0-5 |
| Clay brown | 54 (painted) | RAL 8003 | 9-50710-00-0-54 |
| Black | 6N (painted) | RAL 9005 | 9-50710-00-0-6 |
| Cream white | 7R (painted) | RAL 9001 | 9-50710-00-0-7R |
| Traffic white | 7X (coloured) | RAL 9016 | 9-50710-00-0-7 |
| Stainless-steel effect | 8X (painted) | Stainless-steel effect | 9-50710-00-0-8 |
| Light ivory | AN (painted) | RAL 1015 | 9-50710-00-0-AN |
| Light brown | AM (painted) | F4 light brown | 9-50710-00-0-AM |
| Titanium colour | CL (painted) | Titanium colour | 9-50710-00-0-C |
| Anthracite grey | DP (painted) | RAL 7016 | 9-50710-00-0-DP |

- Packaging: 100 pcs cover caps in cardboard box
- More colours are available on request

UNI-JET S – hinge-side accessories

Cover caps



Cover cap for pivot-rest

| Colours | GU internal ref. | Info | Order number |
|------------------------|------------------|------------------------|-------------------|
| Silver colour | 1N (painted) | EV1 | 9-42683-00-L/R-1 |
| Champagne | 2N (painted) | EV2 | 9-42683-00-L/R-2 |
| Vaporised brass | 3R (vaporised) | Vap. brass | 9-42683-00-L/R-3 |
| Brass colour | 3N (painted) | Brass col. | 9-42683-00-L/R-3N |
| Medium bronze | 4N (painted) | UC 3 | 9-42683-00-L/R-4 |
| Dark brown | 5X (coloured) | UC5 | 9-42683-00-L/R-5 |
| Clay brown | 54 (painted) | RAL 8003 | 9-42683-00-L/R-54 |
| Black | 6N (painted) | RAL 9005 | 9-42683-00-L/R-6 |
| Cream white | 7R (painted) | RAL 9001 | 9-42683-00-L/R-7R |
| Traffic white | 7X (coloured) | RAL 9016 | 9-42683-00-L/R-7 |
| Stainless-steel effect | 8X (painted) | Stainless-steel effect | 9-42683-00-L/R-8 |
| Light ivory | AN (painted) | RAL 1015 | 9-42683-00-L/R-AN |
| Light brown | AM (painted) | F4 light brown | 9-42683-00-L/R-AM |
| Titanium colour | CL (painted) | Titanium colour | 9-42683-00-L/R-C |
| Anthracite grey | DP (painted) | RAL 7016 | 9-42683-00-L/R-DP |

- Packaging: 100 pcs cover caps in cardboard box
- More colours are available on request

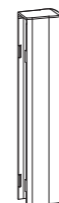
UNI-JET S – hinge-side accessories

Cover caps



Cover cap for rebate corner-hinge/corner-drive rebate-hinge

| Colours | GU internal ref. | Info | Order number |
|------------------------|------------------|------------------------|-------------------|
| Silver colour | 1N (painted) | EV1 | 9-47782-00-L/R-1 |
| Champagne | 2N (painted) | EV2 | 9-47782-00-L/R-2 |
| Vaporised brass | 3R (vaporised) | Vap. brass | 9-47782-00-L/R-3 |
| Brass colour | 3N (painted) | Brass col. | 9-47782-00-L/R-3N |
| Medium bronze | 4N (painted) | UC 3 | 9-47782-00-L/R-4 |
| Dark brown | 5X (coloured) | UC5 | 9-47782-00-L/R-5 |
| Clay brown | 54 (painted) | RAL 8003 | 9-47782-00-L/R-54 |
| Black | 6N (painted) | RAL 9005 | 9-47782-00-L/R-6 |
| Cream white | 7R (painted) | RAL 9001 | 9-47782-00-L/R-7R |
| Traffic white | 7X (coloured) | RAL 9016 | 9-47782-00-L/R-7 |
| Stainless-steel effect | 8X (painted) | Stainless-steel effect | 9-47782-00-L/R-8 |
| Light ivory | AN (painted) | RAL 1015 | 9-47782-00-L/R-AN |
| Light brown | AM (painted) | F4 light brown | 9-47782-00-L/R-AM |
| Titanium colour | CL (painted) | Titanium colour | 9-47782-00-L/R-C |
| Anthracite grey | DP (painted) | RAL 7016 | 9-47782-00-L/R-DP |



Cover cap for drill-in hinge

| Colours | GU internal ref. | Info | Order number |
|------------------------|------------------|------------------------|-----------------|
| Silver colour | 1N (painted) | EV1 | 9-47783-01-0-1 |
| Champagne | 2N (painted) | EV2 | 9-47783-01-0-2 |
| Vaporised brass | 3R (vaporised) | Vap. brass | 9-47783-01-0-3 |
| Brass colour | 3N (painted) | Brass col. | 9-47783-01-0-3N |
| Medium bronze | 4N (painted) | UC 3 | 9-47783-01-0-4 |
| Dark brown | 5X (coloured) | UC5 | 9-47783-01-0-5 |
| Clay brown | 54 (painted) | RAL 8003 | 9-47783-01-0-54 |
| Black | 6N (painted) | RAL 9005 | 9-47783-01-0-6 |
| Cream white | 7R (painted) | RAL 9001 | 9-47783-01-0-7R |
| Traffic white | 7X (coloured) | RAL 9016 | 9-47783-01-0-7 |
| Stainless-steel effect | 8X (painted) | Stainless-steel effect | 9-47783-01-0-8 |
| Light ivory | AN (painted) | RAL 1015 | 9-47783-01-0-AN |
| Light brown | AM (painted) | F4 light brown | 9-47783-01-0-AM |
| Titanium colour | CL (painted) | Titanium colour | 9-47783-01-0-C |
| Anthracite grey | DP (painted) | RAL 7016 | 9-47783-01-0-DP |

- Packaging: 100 pcs cover caps in cardboard box
- More colours are available on request

UNI-JET S – hinge-side accessories

Caps



| Plug | | | |
|------------------------|------------------|------------------------|-----------------|
| Colours | GU internal ref. | Info | Order number |
| Silver colour | 1N (painted) | EV1 | 9-47426-00-0-1 |
| Champagne | 2N (painted) | EV2 | 9-47426-00-0-2 |
| Vaporised brass | 3R (vaporised) | Vap. brass | 9-47426-00-0-3 |
| Brass colour | 3N (painted) | Brass col. | 9-47426-00-0-3N |
| Medium bronze | 4N (painted) | UC 3 | 9-47426-00-0-4 |
| Dark brown | 5X (coloured) | UC5 | 9-47426-00-0-5 |
| Clay brown | 54 (painted) | RAL 8003 | 9-47426-00-0-54 |
| Black | 6N (painted) | RAL 9005 | 9-47426-00-0-6 |
| Cream white | 7R (painted) | RAL 9001 | 9-47426-00-0-7R |
| Traffic white | 7X (coloured) | RAL 9016 | 9-47426-00-0-7 |
| Stainless-steel effect | 8X (painted) | Stainless-steel effect | 9-47426-00-0-8 |
| Light ivory | AN (painted) | RAL 1015 | 9-47426-00-0-AN |
| Light brown | AM (painted) | F4 light brown | 9-47426-00-0-AM |
| Titanium colour | CL (painted) | Titanium colour | 9-47426-00-0-C |
| Anthracite grey | DP (painted) | RAL 7016 | 9-47426-00-0-DP |

- Packaging: 100 pcs cover caps in cardboard box
- More colours are available on request

UNI-JET S – hinge-side accessories

Cover caps



Cover cap for rebate corner-hinge/corner-drive rebate-hinge without overlap screw-fixing via corner-hinge (long nose piece)

| Colours | GU internal ref. | Info | Order number |
|------------------------|------------------|------------------------|-------------------|
| Silver colour | 1N (painted) | EV1 | 9-40487-00-L/R-1 |
| Champagne | 2N (painted) | EV2 | 9-40487-00-L/R-2 |
| Vaporised brass | 3R (vaporised) | Vap. brass | 9-40487-00-L/R-3 |
| Brass colour | 3N (painted) | Brass col. | 9-40487-00-L/R-3N |
| Medium bronze | 4N (painted) | UC 3 | 9-40487-00-L/R-4 |
| Dark brown | 5X (coloured) | UC5 | 9-40487-00-L/R-5 |
| Clay brown | 54 (painted) | RAL 8003 | 9-40487-00-L/R-54 |
| Black | 6N (painted) | RAL 9005 | 9-40487-00-L/R-6 |
| Cream white | 7R (painted) | RAL 9001 | 9-40487-00-L/R-7R |
| Traffic white | 7X (coloured) | RAL 9016 | 9-40487-00-L/R-7 |
| Stainless-steel effect | 8X (painted) | Stainless-steel effect | 9-40487-00-L/R-8 |
| Light ivory | AN (painted) | RAL 1015 | 9-40487-00-L/R-AN |
| Light brown | AM (painted) | F4 light brown | 9-40487-00-L/R-AM |
| Titanium colour | CL (painted) | Titanium colour | 9-40487-00-L/R-C |
| Anthracite grey | DP (painted) | RAL 7016 | 9-40487-00-L/R-DP |

- Special hinge-side solution for timber profiles where e.g. there is insufficient overlap height to attach standard S rebate corner-hinges.
- This cover is equipped with a long nose piece covering the visible area between the overlap and rebate corner-hinge.
- Compatible with
 - rebate corner-hinge 6-37455-□□, 6-37456-□□ and
 - corner-drive rebate-hinge 6-39000-□□, 6-39001-□□



Cover cap for rebate corner-hinge/corner-drive rebate-hinge without overlap screw-fixing via corner-hinge (short nose piece)

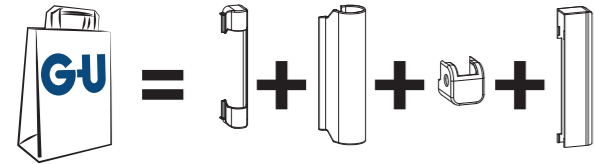
| Colours | GU internal ref. | Info | Order number |
|------------------------|------------------|------------------------|-------------------|
| Silver colour | 1N (painted) | EV1 | 9-37725-00-L/R-1 |
| Champagne | 2N (painted) | EV2 | 9-37725-00-L/R-2 |
| Vaporised brass | 3R (vaporised) | Vap. brass | 9-37725-00-L/R-3 |
| Brass colour | 3N (painted) | Brass col. | 9-37725-00-L/R-3N |
| Medium bronze | 4N (painted) | UC 3 | 9-37725-00-L/R-4 |
| Dark brown | 5X (coloured) | UC5 | 9-37725-00-L/R-5 |
| Clay brown | 54 (painted) | RAL 8003 | 9-37725-00-L/R-54 |
| Black | 6N (painted) | RAL 9005 | 9-37725-00-L/R-6 |
| Cream white | 7R (painted) | RAL 9001 | 9-37725-00-L/R-7R |
| Traffic white | 7X (coloured) | RAL 9016 | 9-37725-00-L/R-7 |
| Stainless-steel effect | 8X (painted) | Stainless-steel effect | 9-37725-00-L/R-8 |
| Light ivory | AN (painted) | RAL 1015 | 9-37725-00-L/R-AN |
| Light brown | AM (painted) | F4 light brown | 9-37728-00-L/R-AM |
| Titanium colour | CL (painted) | Titanium colour | 9-37725-00-L/R-C |
| Anthracite grey | DP (painted) | RAL 7016 | 9-37725-00-L/R-DP |

- Special hinge-side solution for timber profiles where e.g. there is insufficient overlap height to attach standard S rebate corner-hinges.
- This cover is equipped with a short nose piece and used if the rebate corner-hinge butts directly against the overlap.
- Compatible with
 - rebate corner-hinge 6-37455-□□, 6-37456-□□ and
 - corner-drive rebate-hinge 6-39000-□□, 6-39001-□□

- Packaging: 100 pcs cover caps in cardboard box
- More colours are available on request

UNI-JET S – hinge-side accessories

Covers set



- 1 set of cover caps in poly-bag
K-18676-00-L/R-□ =
- 1 pc 9-47334-02-0-□ (stay-bearing)
- 1 pc 9-47795-01-0-□ (stay-hinge)
- 1 pc 9-42683-00-L/R-□ (pivot-rest)
- 1 pc 9-47782-00-L/R-□ (rebate corner-hinge)



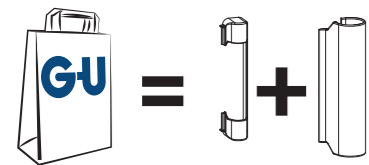
| Cover caps set, hinge-side S (Tilt&Turn) | | | |
|--|------------------|------------------------|-------------------|
| Colours | GU internal ref. | Info | Order number |
| Silver colour | 1N (painted) | EV1 | K-18676-00-L/R-1 |
| Champagne | 2N (painted) | EV2 | K-18676-00-L/R-2 |
| Vaporised brass | 3R (vaporised) | Vap. brass | K-18676-00-L/R-3 |
| Brass colour | 3N (painted) | Brass col. | K-18676-00-L/R-3N |
| Medium bronze | 4N (painted) | UC 3 | K-18676-00-L/R-4 |
| Dark brown | 5X (coloured) | UC5 | K-18676-00-L/R-5 |
| Clay brown | 54 (painted) | RAL 8003 | K-18676-00-L/R-54 |
| Black | 6N (painted) | RAL 9005 | K-18676-00-L/R-6 |
| Cream white | 7R (painted) | RAL 9001 | K-18676-00-L/R-7R |
| Traffic white | 7X (coloured) | RAL 9016 | K-18676-00-L/R-7 |
| Stainless-steel effect | 8X (painted) | Stainless-steel effect | K-18676-00-L/R-8 |
| Light ivory | AN (painted) | RAL 1015 | K-18676-00-L/R-AN |
| Light brown | AM (painted) | F4 light brown | K-18676-00-L/R-AM |
| Titanium colour | CL (painted) | Titanium colour | K-18676-00-L/R-C |
| Anthracite grey | DP (painted) | RAL 7016 | K-18676-00-L/R-DP |

Table of contents



4.2 Concealed hinge-side for timber windows

| | |
|------------------------|-----|
| UNI-JET SCF | |
| Table of contents | 393 |
| UNI-JET CONTURA | |
| Table of contents | 407 |



- 1 set of cover caps in poly-bag
K-18681-00-L/R-□ =
- 1 pc 9-47334-02-0-□ (stay-bearing)
- 1 pc 9-47795-01-0-□ (stay-hinge)

| Cover caps set, hinge-side S Turn-Only centre rebate-hinge | | | |
|--|------------------|------------------------|-----------------|
| Colours | GU internal ref. | Info | Order number |
| Silver colour | 1N (painted) | EV1 | K-18681-00-0-1 |
| Champagne | 2N (painted) | EV2 | K-18681-00-0-2 |
| Vaporised brass | 3R (vaporised) | Vap. brass | K-18681-00-0-3 |
| Brass colour | 3N (painted) | Brass col. | K-18681-00-0-3N |
| Medium bronze | 4N (painted) | UC 3 | K-18681-00-0-4 |
| Dark brown | 5X (coloured) | UC5 | K-18681-00-0-5 |
| Clay brown | 54 (painted) | RAL 8003 | K-18681-00-0-54 |
| Black | 6N (painted) | RAL 9005 | K-18681-00-0-6 |
| Cream white | 7R (painted) | RAL 9001 | K-18681-00-0-7R |
| Traffic white | 7X (coloured) | RAL 9016 | K-18681-00-0-7 |
| Stainless-steel effect | 8X (painted) | Stainless-steel effect | K-18681-00-0-8 |
| Light ivory | AN (painted) | RAL 1015 | K-18681-00-0-AN |
| Light brown | AM (painted) | F4 light brown | K-18681-00-0-AM |
| Titanium colour | CL (painted) | Titanium colour | K-18681-00-0-C |
| Anthracite grey | DP (painted) | RAL 7016 | K-18681-00-0-DP |

- Packaging: 1 set of cover caps in poly-bag. 100 pcs poly-bag in cardboard box
- More colours are available on request

Table of contents

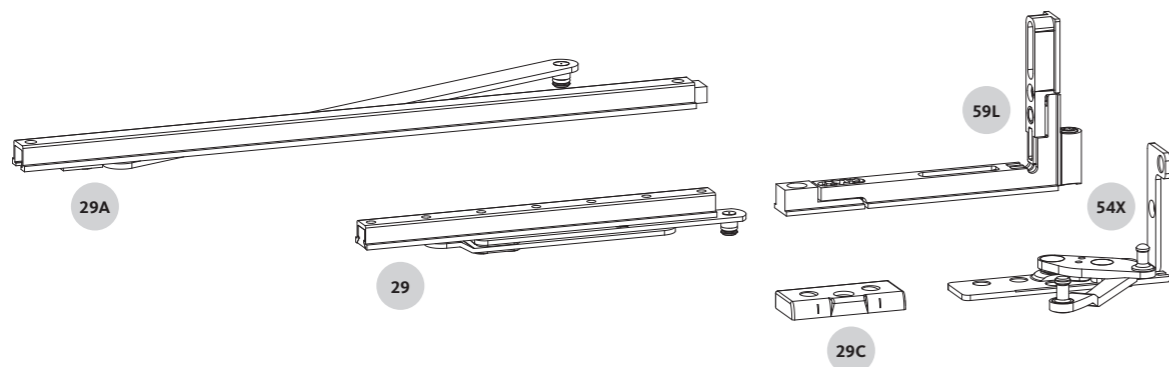
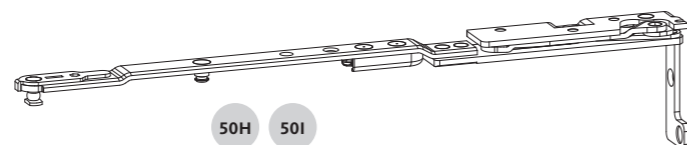


UNI-JET SCF

| | |
|---|-----|
| Tilt&Turn / Tilt-First sash – up to max. 130 kg sash weight – without load-absorption set | 394 |
| Turn-Only sash – up to max. 130 kg sash weight – without load-absorption set | 396 |
| Load-absorption set – up to max. 160 kg sash weight | 398 |
| Tilt-Only sash – up to max. 80 kg sash weight | 400 |
| Top-Hung sash – up to max. 80 kg sash weight | 402 |
| 3-sashed elements – up to max. 80 kg sash weight | 404 |
| Hinge-side accessories | 406 |

UNI-JET SCF – Tilt&Turn / Tilt-First sash

Max. sash weight 130 kg without load-absorption set



Tested hardware load-bearing capacity

- Max. 130 kg see application diagram 0-47358
- Installation drawing 0-47360 for central locking system
- Installation drawing for hinge-side 0-47106
- Instructions on how to hinge and unhinge the sash 0-47477

UNI-JET SCF – Tilt&Turn / Tilt-First sash

Max. sash weight 130 kg without load-absorption set



Upper hinge-side

| Rebate depth 24 mm | | | | |
|-------------------------------|----------|--------|----|------------------|
| Tilt&Turn stay-arm, AX 9 mm | | | | |
| Item | SRW | Length | PU | Order number |
| 50H | 390-750 | 320 | 10 | 6-37012-31-L/R-1 |
| | 751-1400 | 450 | | 6-37012-46-L/R-1 |
| Tilt&Turn stay-arm, AX 13 mm | | | | |
| 50H | 390-750 | 320 | 10 | 6-37013-31-L/R-1 |
| | 751-1400 | 450 | | 6-37013-46-L/R-1 |
| Tilt-First stay-arm, AX 9 mm | | | | |
| Item | SRW | Length | PU | Order number |
| 50I | 390-750 | 320 | 10 | 6-37014-31-L/R-1 |
| | 751-1400 | 450 | | 6-37014-46-L/R-1 |
| Tilt-First stay-arm, AX 13 mm | | | | |
| 50I | 390-750 | 320 | 10 | 6-37015-31-L/R-1 |
| | 751-1400 | 450 | | 6-37015-46-L/R-1 |
| Rebate depth 30 mm | | | | |
| Tilt&Turn stay-arm, AX 9 mm | | | | |
| Item | SRW | Length | PU | Order number |
| 50H | 390-750 | 320 | 10 | 6-37017-31-L/R-1 |
| | 751-1400 | 450 | | 6-37017-46-L/R-1 |
| Tilt&Turn stay-arm, AX 13 mm | | | | |
| 50H | 390-750 | 320 | 10 | 6-37018-31-L/R-1 |
| | 751-1400 | 450 | | 6-37018-46-L/R-1 |
| Tilt-First stay-arm, AX 9 mm | | | | |
| Item | SRW | Length | PU | Order number |
| 50I | 390-750 | 320 | 10 | 6-37019-31-L/R-1 |
| | 751-1400 | 450 | | 6-37019-46-L/R-1 |
| Tilt-First stay-arm, AX 13 mm | | | | |
| 50I | 390-750 | 320 | 10 | 6-37020-31-L/R-1 |
| | 751-1400 | 450 | | 6-37020-46-L/R-1 |

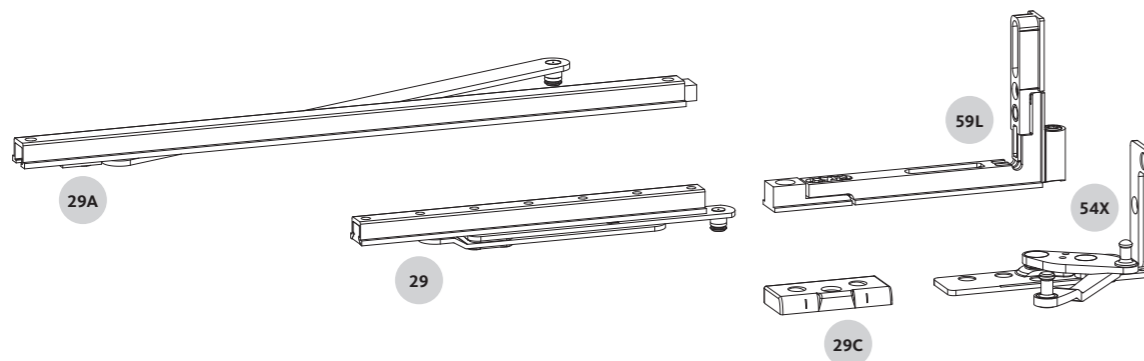
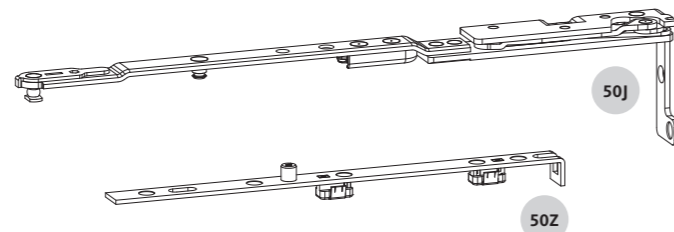
Lower hinge-side

| Rebate depth 24 mm | | | | |
|--------------------------------------|-----------------------|--------|----------------|------------------|
| Pivot-rest, AX 9 mm and 13 mm | | | | |
| Item | SRW | Length | PU | Order number |
| 54X | 390-1400 | 100 | 50 | 6-35871-00-L/R-1 |
| Rebate depth 30 mm | | | | |
| Pivot-rest, AX 9 mm and 13 mm | | | | |
| Item | SRW | Length | PU | Order number |
| 54X | 390-1400 | 100 | 10 | 6-36031-00-L/R-1 |
| Corner-hinge, AX 9 mm | | | | |
| Item | SRW | Length | PU | Order number |
| 59L | 390-1400 | 130 | 100 | 6-34096-09-L/R-1 |
| Corner-hinge, AX 13 mm | | | | |
| 59L | 390-1400 | 130 | 100 | 6-34096-13-L/R-1 |
| Turn restrictor | | | | |
| Item | SRW | Length | PU | Order number |
| 29 | 650-1400 | 180 | 10 | 6-39007-00-0-1 |
| Turn restrictor with brake | | | | |
| Item | SRW | Length | PU | Order number |
| 29A | 800-1400 | 325 | 10 | 6-34886-00-0-1 |
| Connecting piece for turn restrictor | | | | |
| Item | Timber profile system | PU | Order number | |
| 29C | flat rebate 18 x 8 mm | 10 | 9-45171-01-0-1 | |
| | flat rebate 20 x 8 mm | | 9-45171-00-0-1 | |
| | flat rebate 24 x 8 mm | | 9-45171-00-0-1 | |

- When softwood with a low density is used which is not capable of carrying high sash weights, only a special screw with a cylindrical shaft may be used for fixing the pivot-rest and stay-arm (see drawing 0-47106).
- Before fixing the pivot-rest, it is necessary to screw in 1 countersunk wood screw 5 x 40 at the marked spot (#, see drawing 0-47106) flush with the frame to give the pivot-rest sufficient support in softwood with a low density.

UNI-JET SCF – Turn-Only sash

Max. sash weight 130 kg



Tested hardware load-bearing capacity

- Max. 130 kg see application diagram 0-47358
- Installation drawing 0-47360 for central locking system
- Installation drawing 0-47106 for hinge-side
- Instructions on how to hinge and unhinge the sash: 0-47477

UNI-JET SCF – Turn-Only sash

Max. sash weight 130 kg



Upper hinge-side

| Turn-Only stay-guide | | | | |
|----------------------|----------|--------|----|----------------|
| Item | SRW | Length | PU | Order number |
| 50Z | 390-1400 | 250 | 10 | 6-39075-01-0-1 |

| Rebate depth 24 mm | | | | |
|--------------------|----------|--------|----|------------------|
| Stay-arm, AX 9 mm | | | | |
| Item | SRW | Length | PU | Order number |
| 50J | 390-1400 | 230 | 10 | 6-37016-09-L/R-1 |
| Stay-arm, AX 13 mm | | | | |
| 50J | 390-1400 | 230 | 10 | 6-37016-13-L/R-1 |

| Rebate depth 30 mm | | | | |
|--------------------|----------|--------|----|------------------|
| Stay-arm, AX 9 mm | | | | |
| Item | SRW | Length | PU | Order number |
| 50J | 390-1400 | 230 | 10 | 6-37021-09-L/R-1 |
| Stay-arm, AX 13 mm | | | | |
| 50J | 390-1400 | 230 | 10 | 6-37021-13-L/R-1 |

Centre hinge-side

| Centre-closer, sash part (adjustable) | | | |
|---------------------------------------|--|-----|----------------|
| Item | | PU | Order number |
| 64D | | 100 | 6-34229-00-0-1 |

| Centre-closer, frame part | | | |
|---------------------------|-----------------------|-----|----------------|
| Item | Timber profile system | PU | Order number |
| 64E | flat rebate 18 x 8 mm | 100 | 9-47352-10-0-1 |
| | flat rebate 20 x 8 mm | | 9-47352-20-0-1 |
| | flat rebate 24 x 8 mm | | 9-47352-20-0-1 |
| | flat rebate 30 x 8 mm | | 9-47352-30-0-1 |

Lower hinge-side

| Corner-hinge, AX 9 mm | | | | |
|-----------------------|----------|--------|-----|------------------|
| Item | SRW | Length | PU | Order number |
| 59L | 390-1400 | 130 | 100 | 6-34096-09-L/R-1 |

| Corner-hinge, AX 13 mm | | | | |
|------------------------|----------|--------|-----|------------------|
| Item | SRW | Length | PU | Order number |
| 59L | 390-1400 | 130 | 100 | 6-34096-13-L/R-1 |

| Rebate depth 24 mm | | | | |
|-------------------------------|----------|--------|----|------------------|
| Pivot-rest, AX 9 mm and 13 mm | | | | |
| Item | SRW | Length | PU | Order number |
| 54X | 390-1400 | 100 | 50 | 6-35871-00-L/R-1 |

| Rebate depth 30 mm | | | | |
|-------------------------------|----------|--------|----|------------------|
| Pivot-rest, AX 9 mm and 13 mm | | | | |
| Item | SRW | Length | PU | Order number |
| 54X | 390-1400 | 100 | 50 | 6-36031-00-L/R-1 |

| Turn restrictor | | | | |
|-----------------|----------|--------|----|----------------|
| Item | SRW | Length | PU | Order number |
| 29 | 650-1400 | 180 | 10 | 6-39007-00-0-1 |

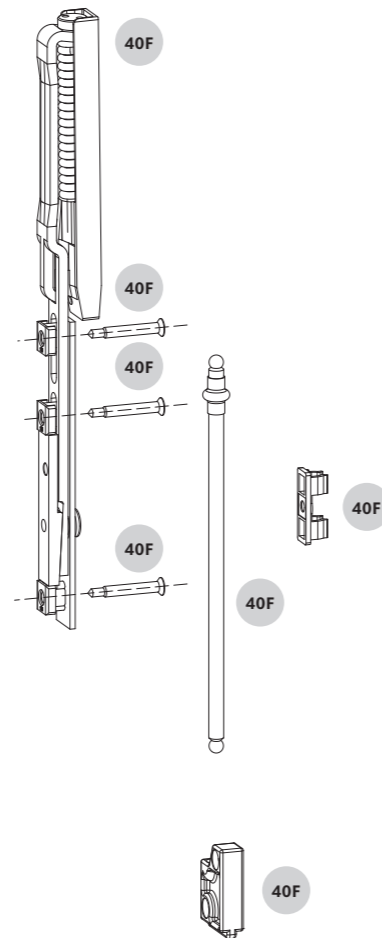
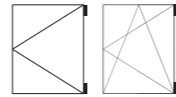
| Turn restrictor with brake | | | | |
|----------------------------|----------|--------|----|----------------|
| Item | SRW | Length | PU | Order number |
| 29A | 800-1400 | 325 | 10 | 6-34886-00-0-1 |

| Connecting piece for turn restrictor | | | |
|--------------------------------------|-----------------------|----|----------------|
| Item | Timber profile system | PU | Order number |
| 29C | flat rebate 18 x 8 mm | 10 | 9-45171-01-0-1 |
| | flat rebate 20 x 8 mm | | 9-45171-00-0-1 |
| | flat rebate 24 x 8 mm | | 9-45171-00-0-1 |

- Number of centre-closers for:
SRH 721-1350 = 1 piece(s)
SRH 1351-2100 = 2 piece(s)
SRH 2101-2800 = 3 piece(s)
The centre-closers must be positioned at regular intervals over the entire SRH.
- Use spacer blocks between glazing and sash rebate in area of centre-closer in order to prevent the sash profile from bending towards the glazing.
- The centre-closer is designed to ensure adequate gasket pressure and not to compensate for lacking tightness arising from a warped window unit. In such a case it is necessary to use the corresponding Tilt&Turn hardware components (with lift stop to restrict the handle rotation to 90°).
- When softwood with a low density is used which is not capable of carrying high sash weights, only a special screw with a cylindrical shaft may be used for fixing the pivot-rest and stay-arm (see drawing 0-47106).
- Before fixing the pivot-rest, it is necessary to screw in 1 countersunk wood screw 5 x 40 at the marked spot (#, see drawing 0-47106) flush with the frame to give the pivot-rest sufficient support in softwood with a low density.

UNI-JET SCF – load-absorption set

Max. sash weight 160 kg



Tested hardware load-bearing capacity

- Max. 160 kg see application diagram 0-47177
- Installation drawing 0-47426 for hinge-side
- Installation instructions for load-absorption set 0-47493

UNI-JET SCF – load-absorption set

Max. sash weight 160 kg



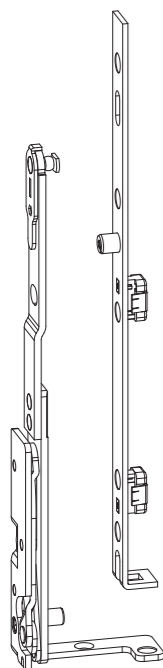
Lower hinge-side

| Load-absorption set | | | | |
|---------------------|-----------|----------|----|----------------|
| Item | SRH | SRW | PU | Order number |
| 40F | 1000-2800 | 500-1400 | 1 | K-19261-01-0-1 |

- Min. sash weight 100 kg
- Max. sash weight 160 kg

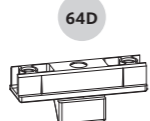
UNI-JET SCF – Tilt-Only sash

Max. sash weight 80 kg



50Z

50J



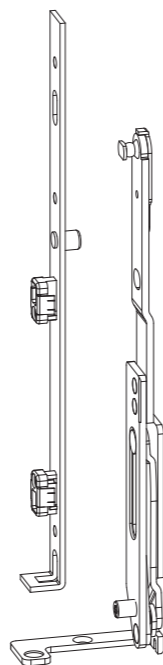
64D



64E

50Z

50J



UNI-JET SCF – Tilt-Only sash

Max. sash weight 80 kg



Lower hinge-side

Turn-Only stay-guide

| Item | SRH | Length | PU | Order number |
|------|----------|--------|----|----------------|
| 50Z | 435-1200 | 250 | 10 | 6-39075-01-0-1 |

Stay-arm, AX 9 mm

| Item | SRH | Length | PU | Order number |
|------|----------|--------|----|------------------|
| 50J | 435-1200 | 230 | 10 | 6-37016-09-L/R-1 |

Stay-arm, AX 13 mm

| | | | | |
|-----|----------|-----|----|------------------|
| 50J | 435-1200 | 230 | 10 | 6-37016-13-L/R-1 |
|-----|----------|-----|----|------------------|

Centre-closer, sash part (adjustable)

| Item | PU | Order number |
|------|-----|----------------|
| 64D | 100 | 6-34229-00-0-1 |

Centre-closer, frame part

| Item | Timber profile system | PU | Order number |
|------|-----------------------|-----|----------------|
| 64E | flat rebate 18 x 8 mm | 100 | 9-47352-10-0-1 |
| | flat rebate 20 x 8 mm | | 9-47352-20-0-1 |
| | flat rebate 24 x 8 mm | | 9-47352-20-0-1 |
| | flat rebate 30 x 8 mm | | 9-47352-30-0-1 |

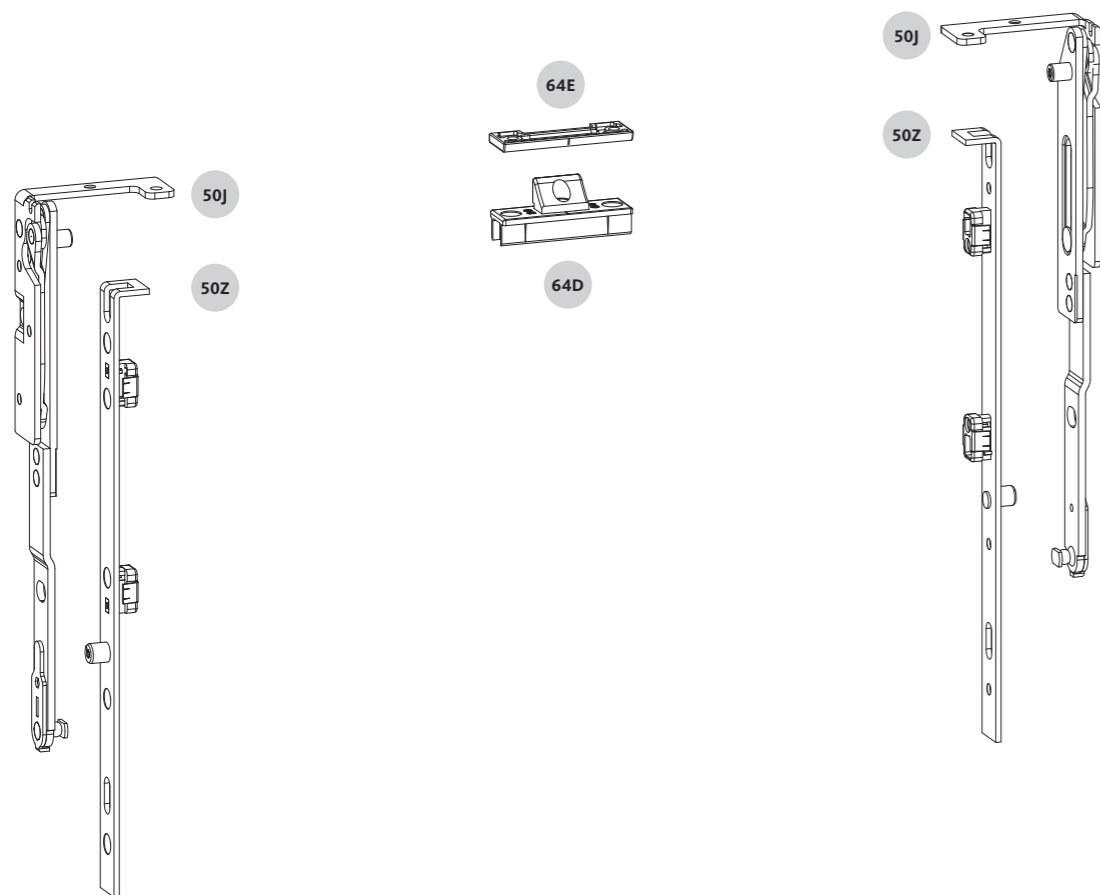
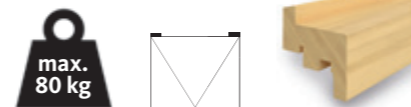
Tested hardware load-bearing capacity

- Max. 80 kg see application diagram 0-47362
- Installation drawing 0-47362 for hinge-side and central locking system

- Number of centre-closers for:
 SRW 800–1450 = 1 piece(s)
 SRW 1451–2400 = 2 piece(s)
 The centre-closers must be positioned at regular intervals over the entire SRW.

UNI-JET SCF – Top-Hung sash

Max. sash weight 80 kg



UNI-JET SCF – Top-Hung sash

Max. sash weight 80 kg



Upper hinge-side

| Turn-Only stay-guide | | | | |
|----------------------|----------|--------|----|----------------|
| Item | SRH | Length | PU | Order number |
| 50Z | 435-1200 | 250 | 10 | 6-39075-01-0-1 |

| Stay-arm, AX 9 mm | | | | |
|-------------------|----------|--------|----|------------------|
| Item | SRH | Length | PU | Order number |
| 50J | 435-1200 | 230 | 10 | 6-37016-09-L/R-1 |

| Stay-arm, AX 13 mm | | | | |
|--------------------|----------|--------|----|------------------|
| Item | SRH | Length | PU | Order number |
| 50J | 435-1200 | 230 | 10 | 6-37016-13-L/R-1 |

| Centre-closer, sash part (adjustable) | | | |
|---------------------------------------|--|-----|----------------|
| Item | | PU | Order number |
| 64D | | 100 | 6-34229-00-0-1 |

| Centre-closer, frame part | | | |
|---------------------------|-----------------------|-----|----------------|
| Item | Timber profile system | PU | Order number |
| 64E | flat rebate 18 x 8 mm | 100 | 9-47352-10-0-1 |
| | flat rebate 20 x 8 mm | | 9-47352-20-0-1 |
| | flat rebate 24 x 8 mm | | 9-47352-20-0-1 |
| | flat rebate 30 x 8 mm | | 9-47352-30-0-1 |

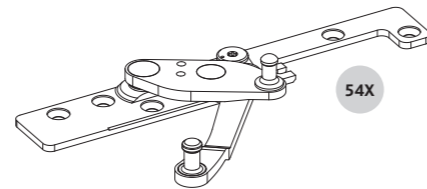
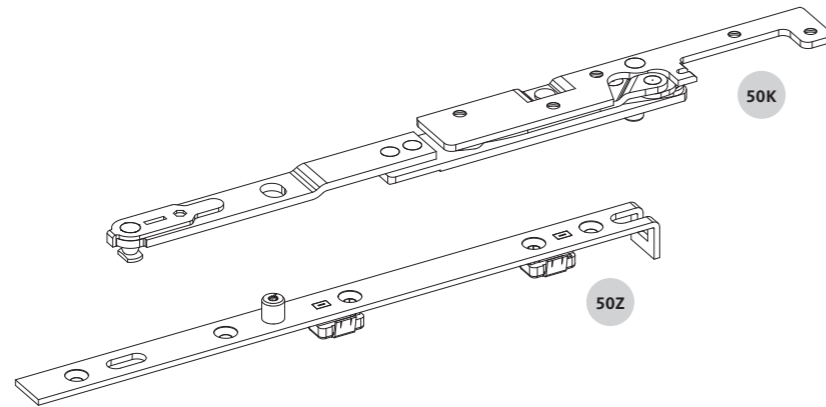
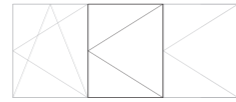
Tested hardware load-bearing capacity

- Max. 80 kg
- Installation drawing 0-47361 for hinge-side

- Number of centre-closers for:
 SRW 800–1450 = 1 piece(s)
 SRW 1451–2400 = 2 piece(s)
 The centre-closers must be positioned at regular intervals over the entire SRW.

UNI-JET SCF – 3-sashed windows

Max. sash weight 80 kg



Tested hardware load-bearing capacity

- Max. 80 kg
- Installation drawing 0-47363 for hinge-side and central locking system

UNI-JET SCF – 3-sashed windows

Max. sash weight 80 kg



Upper hinge-side

| Turn-Only stay-guide | | | | |
|----------------------|----------|--------|----|----------------|
| Item | SRW | Length | PU | Order number |
| 50Z | 370-1400 | 250 | 10 | 6-39075-01-0-1 |

| Rebate depth 24 mm | | | | |
|--------------------|--------------|--------|----|------------------|
| Stay-arm, AX 9 mm | | | | |
| Item | SRW | Length | PU | Order number |
| 50K | 370-1400 [1] | 230 | 10 | 6-38485-09-L/R-1 |
| Stay-arm, AX 13 mm | | | | |
| 50K | 370-1400 [1] | 230 | 10 | 6-38485-13-L/R-1 |

| Rebate depth 30 mm | | | | |
|--------------------|--------------|--------|----|------------------|
| Stay-arm, AX 9 mm | | | | |
| Item | SRW | Length | PU | Order number |
| 50K | 370-1400 [1] | 230 | 10 | 6-38486-09-L/R-1 |
| Stay-arm, AX 13 mm | | | | |
| 50K | 370-1400 [1] | 230 | 10 | 6-38486-13-L/R-1 |

Lower hinge-side

| Rebate depth 24 mm | | | | |
|-------------------------------|----------|--------|----|------------------|
| Pivot-rest, AX 9 mm and 13 mm | | | | |
| Item | SRW | Length | PU | Order number |
| 54X | 370-1400 | 130 | 10 | 6-35871-10-L/R-1 |

| Rebate depth 30 mm | | | | |
|-------------------------------|----------|--------|----|------------------|
| Pivot-rest, AX 9 mm and 13 mm | | | | |
| Item | SRW | Length | PU | Order number |
| 54X | 370-1400 | 130 | 50 | 6-36031-10-L/R-1 |

[1] SRW min. 370 mm when installing centre-lock 116 (6-24062-00-0-1). SRW min. 250 mm without centre-lock.

- When softwood with a low density is used which is not capable of carrying high sash weights, only a special screw with a cylindrical shaft may be used for fixing the pivot-rest and stay-arm (see drawing 0-47106).
- Before fixing the pivot-rest, it is necessary to screw in 1 countersunk wood screw 5 x 40 at the marked spot (#, see drawing 0-47106) flush with the frame to give the pivot-rest sufficient support in softwood with a low density.

UNI-JET SCF – hinge-side accessories



| Special screw SCF | | | |
|-------------------|--|------|----------------|
| Item | | PU | Order number |
| 3D | | 1000 | 9-43787-00-R-1 |

- When softwood with a low density is used which is not capable of carrying high sash weights, only a special screw with a cylindrical shaft may be used for fixing the pivot-rest and stay-arm (see drawing 0-47106).
- Before fixing the pivot-rest, it is necessary to screw in 1 countersunk wood screw 5 x 40 at the marked spot (#, see drawing 0-47106) flush with the frame to give the pivot-rest sufficient support in softwood with a low density.

Table of contents

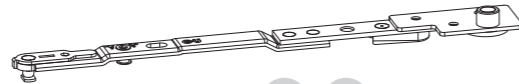


UNI-JET CONTURA

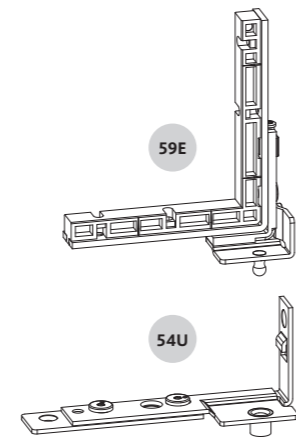
| | |
|---|-----|
| Tilt&Turn / Tilt-First sash – up to max. 130 kg sash weight | 408 |
| Turn-Only sash – up to max. 130 kg sash weight | 410 |

UNI-JET CONTURA – Tilt&Turn / Tilt-First sash

Max. sash weight 130 kg



50W 50X



UNI-JET CONTURA – Tilt&Turn / Tilt-First sash

Max. sash weight 130 kg



Upper hinge-side

| CONTURA Tilt&Turn stay-arm | | | | |
|----------------------------|-----------|--------|----|------------------|
| Item | SRW | Length | PU | Order number |
| 50W | 350-570 | 273 | 10 | 6-37112-22-L/R-1 |
| | 571-750 | 361 | | 6-37112-31-L/R-1 |
| | 751-1200 | 455 | | 6-37112-45-L/R-1 |
| | 1201-1600 | 615 | | 6-37112-61-L/R-1 |

| CONTURA Tilt-First stay-arm | | | | |
|-----------------------------|-----------|--------|----|------------------|
| Item | SRW | Length | PU | Order number |
| 50X | 350-570 | 273 | 10 | 6-37116-22-L/R-1 |
| | 571-750 | 361 | | 6-37116-31-L/R-1 |
| | 751-1200 | 455 | | 6-37116-45-L/R-1 |
| | 1201-1600 | 615 | | 6-37116-61-L/R-1 |

Lower hinge-side

| CONTURA corner-hinge | | | | |
|----------------------|----------|--------|-----|------------------|
| Item | SRW | Length | PU | Order number |
| 59E | 350-1600 | 100 | 100 | 6-37098-00-L/R-1 |

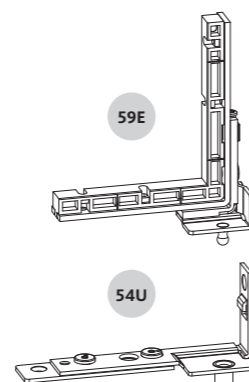
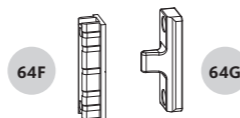
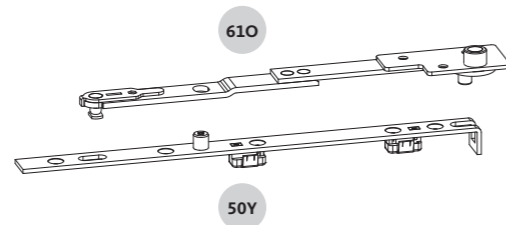
| CONTURA pivot-rest | | | | |
|--------------------|----------|--------|-----|------------------|
| Item | SRW | Length | PU | Order number |
| 54U | 350-1600 | 125 | 100 | 6-37099-00-L/R-1 |

Tested hardware load-bearing capacity

- Max. 130 kg see application diagrams 0-47001 (100 kg), 0-46736 (130 kg)
- Installation drawing 0-46739 for hinge-side
- Installation drawing 0-46734 for central locking system with CONTURA centre-lock
- Installation drawing 0-46913 for central locking system with standard centre-lock
- Maintenance and operating instructions 0-45166 (T&T), 0-45249 (TF)

UNI-JET CONTURA – Turn-Only sash

Max. sash weight 130 kg



Tested hardware load-bearing capacity

- Max. 130 kg see application diagrams 0-47001 (100 kg), 0-46736 (130 kg)
- Installation drawing 0-46739 for hinge-side
- Installation drawing 0-46734 for central locking system with CONTURA centre-lock
- Installation drawing 0-46913 for central locking system with standard centre-lock
- Maintenance and operating instructions 0-45166 (T&T), 0-45249 (TF)

UNI-JET CONTURA – Turn-Only sash

Max. sash weight 130 kg



Upper hinge-side

| CONTURA Turn-Only stay-arm | | | | |
|----------------------------|----------|--------|----|------------------|
| Item | SRW | Length | PU | Order number |
| 610 | 350-1600 | 273 | 10 | 6-37340-01-L/R-1 |

| CONTURA Turn-Only stay-guide | | | | |
|------------------------------|----------|--------|----|----------------|
| Item | SRW | Length | PU | Order number |
| 50Y | 350-1600 | 250 | 10 | 6-39075-01-0-1 |

Lower hinge-side

| CONTURA corner-hinge | | | | |
|----------------------|----------|--------|-----|------------------|
| Item | SRW | Length | PU | Order number |
| 59E | 350-1600 | 100 | 100 | 6-37098-00-L/R-1 |

| CONTURA pivot-rest | | | | |
|--------------------|----------|--------|-----|------------------|
| Item | SRW | Length | PU | Order number |
| 54U | 350-1600 | 125 | 100 | 6-37099-00-L/R-1 |

Centre hinge-side

| CONTURA centre-closer, sash part | | | |
|----------------------------------|--|-----|----------------|
| Item | | PU | Order number |
| 64F | | 100 | 9-32833-00-0-1 |

| CONTURA centre-closer, frame part | | | |
|-----------------------------------|--|-----|----------------|
| Item | Timber profile system | PU | Order number |
| 64G | flat rebate 18 x 8 mm (CONTURA-compatible profile) | 100 | 9-32832-00-0-1 |

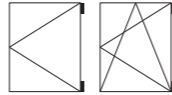







4.3 Frame components for timber windows

| | |
|--|-----|
| Strikers | 414 |
| Strikers for shoot-bolts, gear connectors and lever-operated gears | 426 |

Frame components for timber windows

Strikers

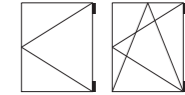



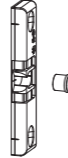



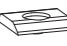

| | | | Strikers for 1-sashed windows | | | | |
|-----------------------------------|-----------|-----------------|---|---|---|---|---|
| Designation of rebate system | Clearance | Groove position |  |  |  |  |  |
| | | | Standard striker (zamak) | Zamak Sec striker | Steel Sec striker can also be used horizontally as T&T striker | Steel Sec striker with 4 screw connection points for RC2 / RC3 can also be used horizontally as T&T striker | T&T striker for side-tilting function |
| Euro-rebate 18 x 8 | 12 | 9 | 9-42301-18-0-1 | 9-42302-18-0-1 | 6-32207-18-0-1 | 6-33082-00-0-1 | 9-29136-00-0-1 |
| Euro-rebate 20 x 8 | 12 | 9 | 9-42301-20-0-1 | 9-42302-20-0-1 | 6-32207-20-0-1 | 6-33585-00-0-1 | 9-33942-00-0-1 |
| Euro-rebate 20 x 8 (2 x Ø8 PP) | 12 | 9 | 9-42301-10-0-1 | 9-42302-10-0-1 | 6-32207-10-0-1 | 6-33082-08-0-1 | 9-33942-00-0-1 |
| Euro-rebate 24 x 8 | 12 | 13 | 9-42654-00-0-1 | 9-42655-00-0-1 | 6-32584-00-0-1 | 6-33585 6-32584 | 9-44234-00-0-1 |
| Euro-rebate 24 x 8 (2 x Ø8 PP) | 12 | 13 | 9-42654-08-0-1 | 9-42655-08-0-1 | 6-32584-08-0-1 | 6-33082-08-0-1 | 9-44234-00-0-1 [2] |
| Euro-rebate 24 x 8 (R4) | 12 | 13 | 9-42654-01-0-1 | 9-42655-00-0-1 | 6-32584-00-0-1 | - | 9-44234-01-0-1 |



Frame components for timber windows

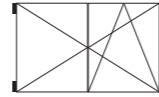
Strikers



| Strikers for 1-sashed windows | | | | | | |
|---|---|---|--|--|--|---|
|  |  |  |  |  |  |  |
| Tilt-First striker for operating sequence 'tilt before turn' | Bullet-catch adapted to the rebate geometry including roller-cam | Run-up stop for sash lifter (mishandling device with sash-lifter) | Run-up stop for round arch in conjunction with extension with run-up block (sash part) 6-33711-00-0-1 | Night vent striker for standard corner-drive 6-32021-00-0-1 (1 LC-MA) and security corner-drive 6-31753-00-0-1 (2 LC-MA) | Screw-on run-up block, bottom (Sash part) is screwed to centre-lock and corner-drives, e.g. 6-32293-00-0-1, and uses the standard or steel Sec striker as counterpart | Centre-closer, concealed, frame part |
| 6-32668-00-0-1 | K-17044-00-0-1 | 9-40067-00-0-1 | 6-24201-03-0-1 | 6-34844-00-0-1 [1] | 9-41796-00-0-1 | 9-40872-00-0-1 |
| - | K-17044-00-0-1 | 9-40444-00-0-1 | 6-24201-03-0-1 | 6-34844-00-0-1 [1] | 9-41796-00-0-1 | 9-40872-20-0-1 |
| - | K-17044-00-0-1 | 9-40444-00-0-1 | 6-24201-03-0-1 | 6-34844-00-0-1 [1] | 9-41796-00-0-1 | - |
| 6-35779-00-L/R-1 | K-17119-00-0-1 | 9-42684-00-0-1 | 6-24201-03-0-1 | 6-34846-00-0-1 [1] | 9-41796-00-0-1 | 9-41850-00-0-1 |
| 6-35779-00-L/R-1 [2] | K-17120-00-0-1 | 9-42684-08-0-1 | 6-24201-03-0-1 [2] | 6-34846-00-0-1 [1][2] | 9-41796-00-0-1 | 9-41850-08-0-1 |
| 6-35779-10-L/R-1 | K17119-01-0-1 | 9-42684-01-0-1 | 6-24201-03-0-1 | 6-34846-00-0-1 [1] | 9-41796-00-0-1 | 9-41850-01-0-1 |

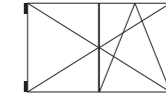
Frame components for timber windows



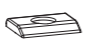




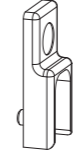
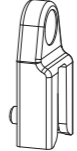
Strikers



Frame components for timber windows

Strikers

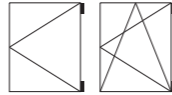


| | | | Strikers for 2-sashed windows | | | Lever-operated gear Euro-groove 7/8 x 4 | | Lever-operated gear Euro-groove 7/8 x 4 | | Dummy-mullion drive-gear T&T, BS 30 | | Remarks – variants |
|--------------------------------|-----------|-----------------|---|---|--|--|--|---|---|---|--|---|
| Designation of rebate system | Clearance | Groove position |  |  |  |  |  |  |  |  |  | Installation drawings for the different hinge-sides see tables on pages 33 – 35 |
| | | | Steel Sec striker can also be used horizontally as T&T striker | Standard striker (zamak) | Run-up block (bottom) for screwing to the striker for lever-operated gears and shoot-bolts | Standard striker for dummy mullion, FHH is screwed through the faceplate of the lever-operated gear and used for applications in conjunction with T&T drive-gear (FHH) | Standard striker for dummy mullion, VHH is screwed onto the side of the faceplate of the lever-operated gear for applications in conjunction with T&T drive-gear (VHH) | Top striker (adjustable) | Bottom striker (adjustable) | Standard striker for dummy mullion, FHH used with 2-sashed windows with 2 handles. Screwed to the faceplate of the lever-operated gear and used in conjunction with T&T drive-gear (FHH). | Secstriker for RC2 with 2-sashed windows with 2 window handles. Screwed to the faceplate of the lever-operated gear. | |
| Euro-rebate 18 x 8 | 12 | 9 | 6-32207-18-0-1 | 9-42301-18-0-1 | 8-00667-00-0-1 | 9-32275-00-0-1 | 9-34130-00-0-1 | 6-26104-07-0-1 [3] | 6-26104-07-0-1 [3] | 9-30256-00-0-1 | E-19813-00-0-1 | [1] Alternatively night vent striker 9-43475-00-0 with corner-drive 6-33579-00-9 [2] Dummy mullion with 16 mm hardware groove: shoot-bolt at top 6-22917-00-0 [2] Dummy mullion with 16 mm hardware groove: shoot-bolt at bottom 6-22916-00-0 [2] Dummy mullion with Euro-groove 7/8 x 4: shoot-bolt at top 6-22979-00-0 [2] Dummy mullion with Euro-groove 7/8 x 4: shoot-bolt at bottom 6-22978-00-0 [3] Dummy mullion with 16 mm hardware groove: striker for vertical rod at top/bottom 8-00668-01-0 [3] Striker for vertical rod at top/bottom 9-30632-00-0 (not adjustable) [3] Alternatively, the top/bottom striker 6-25375-00-0 (larger gasket pressure adjustment range (±0.75)) can be used for the dummy mullion with Euro-rebate 18x8 and dummy mullion with 16 mm hardware groove. Use striker E-13534-12-0 with passive sash with 16 mm hardware groove. |
| Euro-rebate 20 x 8 | 12 | 9 | 6-32207-20-0-1 | 9-42301-20-0-1 | 8-00667-00-0-1 | 9-32275-00-0-1 | 9-34130-00-0-1 | 6-28062-07-0-1 [3] | 6-28062-07-0-1 | 9-30256-00-0-1 | E-19813-00-0-1 | [1] Alternatively night vent striker 9-43476-00-0 with corner-drive 6-33579-00-9 [2] Position shoot-bolt at top 6-26071-00-0 and shoot-bolt at bottom 6-24387-00-0 1 mm short of the inner edge of the frame rebate. [2] Dummy mullion with 16 mm hardware groove: shoot-bolt at top 6-22917-00-0 [2] Dummy mullion with 16 mm hardware groove: shoot-bolt at bottom 6-22916-00-0 [2] Dummy mullion with Euro-groove 7/8 x 4: shoot-bolt at top 6-22979-00-0 [2] Dummy mullion with Euro-groove 7/8 x 4: shoot-bolt at bottom 6-22978-00-0 |
| Euro-rebate 20 x 8 (2 x Ø8 PP) | 12 | 9 | 6-32207-10-0-1 | 9-42301-10-0-1 | 8-00667-00-0-1 | 9-32275-00-0-1 | 9-34130-00-0-1 | 6-28062-07-0-1 [A] | 6-28062-07-0-1 [A] | 9-30256-00-0-1 | E-19813-00-0-1 | [1] Alternatively night vent striker 9-43476-00-0 with corner-drive 6-33579-00-9 [2] Position shoot-bolt at top 6-26071-00-0 and shoot-bolt at bottom 6-24387-00-0 1 mm short of the inner edge of the frame rebate. [2] Dummy mullion with 16 mm hardware groove: shoot-bolt at top 6-22917-00-0 [2] Dummy mullion with 16 mm hardware groove: shoot-bolt at bottom 6-22916-00-0 [2] Dummy mullion with Euro-groove 7/8 x 4: shoot-bolt at top 6-22979-00-0 [2] Dummy mullion with Euro-groove 7/8 x 4: shoot-bolt at bottom 6-22978-00-0 |
| Euro-rebate 24 x 8 | 12 | 13 | 6-32584-00-0-1 | 9-42654-00-0-1 | 8-00667-00-0-1 | 9-32275-00-0-1 | 9-34130-00-0-1 | 6-34153-00-0-1 [4] | - | 9-30256-00-0-1 | E-19813-00-0-1 | [1] Alternative night vent striker 9-43478-00-0 with corner-drive 6-33579-00-9 [2] Locking components without positioning pin [3] Position shoot-bolt at top 6-26071-00-0 and shoot-bolt at bottom 6-24387-00-0 5 mm short of the inner edge of the frame rebate. [3] Dummy mullion with 16 mm hardware groove: shoot-bolt at top 6-22917-00-0 [3] Dummy mullion with 16 mm hardware groove: shoot-bolt at bottom 6-22916-00-0 Use striker E-13534-12-0 with passive sash with 16 mm hardware groove. [4] E-24203-02-9 (not adjustable) can be used as an alternative to 6-34153-02-0 |
| Euro-rebate 24 x 8 (2 x Ø8 PP) | 12 | 13 | 6-32584-08-0-1 | 9-42654-08-0-1 | 8-00667-00-0-1 | 9-32275-00-0-1 | 9-34130-00-0-1 | 6-34153-00-0-1 [4] | - | 9-30256-00-0-1 | E-19813-00-0-1 | [1] Alternatively night vent striker 9-43478-00-0 with corner-drive 6-33579-00-9 [2] Locking components without positioning pin [3] Position shoot-bolt at top 6-26071-00-0 and shoot-bolt at bottom 6-24387-00-0 5 mm short of the inner edge of the frame rebate. [3] Dummy mullion with 16 mm hardware groove: shoot-bolt at top 6-22917-00-0 [3] Dummy mullion with 16 mm hardware groove: shoot-bolt at bottom 6-22916-00-0 Use striker E-13534-12-0 with passive sash with 16 mm hardware groove. [4] E-24203-02-9 (not adjustable) can be used as an alternative to 6-34153-02-0 |
| Euro-rebate 24 x 8 (R4) | 12 | 13 | 6-32584-00-0-1 | 9-42654-01-0-1 | 8-00667-00-0-1 | 9-32275-00-0-1 | 9-34130-00-0-1 | - | - | 9-30256-00-0-1 | E-19813-00-0-1 | [1] Alternatively night vent striker 9-43478-00-0 with corner-drive 6-33579-00-9 [2] Position shoot-bolt at top 6-26071-00-0 and shoot-bolt at bottom 6-24387-00-0 5 mm short of the inner edge of the frame rebate. [2] Dummy mullion with 16 mm hardware groove: shoot-bolt at top 6-22917-00-0 [2] Dummy mullion with 16 mm hardware groove: shoot-bolt at bottom 6-22916-00-0 Use striker E-13534-12-0 with passive sash with 16 mm hardware groove. |

[A] without positioning pin

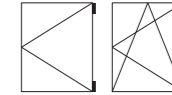
Frame components for timber windows






Strikers


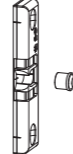
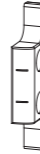


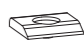



Frame components for timber windows

Strikers

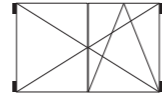


| | | | Strikers for 1-sashed windows | | | | | |
|--------------------------------|-----------|-----------------|---|---|---|---|---|--|
| Designation of rebate system | Clearance | Groove position |  |  |  |  |  | |
| | | | Standard striker (zamak) | Zamak Sec striker | Steel Sec striker can also be used horizontally as T&T striker | Steel Sec striker with 4 screw connection points for RC2 / RC3 can also be used horizontally as T&T striker | T&T striker for side-tilting function | |
| Euro-rebate 25 x 8 | 12 | 9 | 9-38337-25-0-1 | - | 6-33674-25-0-1 [1] | - | - | |
| Euro-rebate 26 x 8 | 12 | 9 | 9-38337-26-0-1 | - | 6-33674-26-0-1 [1] | - | - | |
| Euro-rebate 27 x 8 | 12 | 9 | 9-38337-27-0-1 | - | 6-33674-27-0-1 [1] | - | - | |
| Euro-rebate 28 x 8 | 12 | 9 | 9-38337-28-0-1 | - | 6-33674-28-0-1 [1] | - | - | |
| Euro-rebate 29 x 8 | 12 | 9 | 9-38337-29-0-1 | - | 6-33674-29-0-1 [1] | - | - | |
| Euro-rebate 29 x 8 (1 x Ø3 PP) | 12 | 13 | 9-43979-00-0-1 | - | 6-34075-00-0-1 | - | - | |
| Euro-rebate 30 x 8 | 12 | 13 | 9-42654-30-0-1 | 9-42655-30-0-1 | 6-35422-30-0-1 | - | - | |

| Strikers for 1-sashed windows | | | | | | |
|---|---|---|---|---|---|---|
|  |  |  |  |  |  |  |
| Tilt-First striker for operating sequence 'tilt before turn' | Bullet-catch adapted to the rebate geometry including roller-cam | Run-up stop for sash lifter (mishandling device with sash-lifter) | Run-up stop for round arch in conjunction with extension with run-up block (sash part) 6-33711-00-0-1 | Night ventilation striker for standard corner-drive 6-32021-00-0-1 (1 LC-MA) and security corner-drive 6-31753-00-0-1 (2 LC-MA) | Screw-on run-up block, bottom (Sash part) is screwed to centre-lock and corner-drives, e.g. 6-32293-00-0-1, and uses the standard or steel Sec striker as counterpart | Centre-closer, concealed, frame part |
| 6-32668-00-0-1 | K-17044-00-0-1 | 9-40444-00-0-1 [2] | 6-24201-03-0-1 | 6-34844-00-0-1 [3] | 9-41796-00-0-1 | - |
| 6-32668-00-0-1 | K-17044-00-0-1 | 9-40444-00-0-1 [2] | 6-24201-03-0-1 | 6-34844-00-0-1 [3] | 9-41796-00-0-1 | - |
| 6-32668-00-0-1 | K-17044-00-0-1 | 9-40444-00-0-1 [2] | 6-24201-03-0-1 | 6-34844-00-0-1 [3] | 9-41796-00-0-1 | - |
| 6-32668-00-0-1 | K-17044-00-0-1 | 9-40444-00-0-1 [2] | 6-24201-03-0-1 | 6-34844-00-0-1 [3] | 9-41796-00-0-1 | - |
| 6-32668-00-0-1 | K-17044-00-0-1 | 9-40444-00-0-1 [2] | 6-24201-03-0-1 | 6-34844-00-0-1 [3] | 9-41796-00-0-1 | - |
| 6-32668-00-0-1 | 6-33209-09-0-1 | 9-44203-00-0-1 | 6-24201-03-0-1 | 6-34846-00-0-1 [1] [2] | 9-41796-00-0-1 | 9-44207-00-0-1 |
| 6-35779-01-L/R-1 | K-17973-00-0-1 | 9-42684-30-0-1 | 6-24201-03-0-1 | 6-34846-00-0-1 [1] [2] | 9-41796-00-0-1 | 9-41850-30-0-1 |

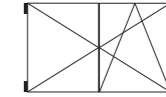
Frame components for timber windows

Strikers



Frame components for timber windows

Strikers

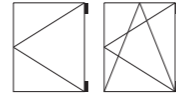







| Designation of rebate system | Clearance | Groove position | Strikers for 2-sashed windows | | | Lever-operated gear Euro-groove 7/8 x 4 | |
|--------------------------------|-----------|-----------------|---|--------------------------|--|--|--|
| | | | Steel Sec striker can also be used horizontally as T&T striker | Standard striker (zamak) | Run-up block (bottom) for screwing to the striker for lever-operated gears and shoot-bolts | Standard striker for dummy mullion, FHH is screwed through the faceplate of the lever-operated gear and used for applications in conjunction with T&T drive-gear (FHH) | Standard striker for dummy mullion, VHH is screwed onto the side of the faceplate of the lever-operated gear for applications in conjunction with T&T drive-gear (VHH) |
| Euro-rebate 25 x 8 | 12 | 9 | 6-33674-25-0-1 [1] | 9-38337-25-0-1 | 8-00667-00-0-1 | 9-32275-00-0-1 | 9-34130-00-0-1 |
| Euro-rebate 26 x 8 | 12 | 9 | 6-33674-26-0-1 [1] | 9-38337-26-0-1 | 8-00667-00-0-1 | 9-32275-00-0-1 | 9-34130-00-0-1 |
| Euro-rebate 27 x 8 | 12 | 9 | 6-33674-27-0-1 [1] | 9-38337-27-0-1 | 8-00667-00-0-1 | 9-32275-00-0-1 | 9-34130-00-0-1 |
| Euro-rebate 28 x 8 | 12 | 9 | 6-33674-28-0-1 [1] | 9-38337-28-0-1 | 8-00667-00-0-1 | 9-32275-00-0-1 | 9-34130-00-0-1 |
| Euro-rebate 29 x 8 | 12 | 9 | 6-33674-29-0-1 [1] | 9-38337-29-0-1 | 8-00667-00-0-1 | 9-32275-00-0-1 | 9-34130-00-0-1 |
| Euro-rebate 29 x 8 (1 x Ø3 PP) | 12 | 13 | 6-34075-00-0-1 | 9-43979-00-0-1 | 8-00667-00-0-1 | 9-32275-00-0-1 | 9-34130-00-0-1 |
| Euro-rebate 30 x 8 | 12 | 13 | 6-35422-30-0-1 | 9-42654-30-0-1 | 8-00667-00-0-1 | 9-32275-00-0-1 | 9-34130-00-0-1 |

| Lever-operated gear Euro-groove 7/8 x 4 | Dummy-mullion drive-gear T&T, BS 30 | Remarks – variants | |
|---|-------------------------------------|---|-----------------------------|
| | | Top striker (adjustable) | Bottom striker (adjustable) |
| - | - | [1] Alternatively 6-34724-25-0 (1 mm less gasket pressure) [2] In combination with spacer 9-40445-25-0 [3] Alternatively night vent striker 9-43476-00-0 with corner-drive 6-33579-00-9 | - |
| - | - | [1] Alternatively 6-34724-26-0 (1 mm less gasket pressure) [2] In conjunction with spacer 9-40445-26-0 [3] Alternatively night vent striker 9-43476-00-0 with corner-drive 6-33579-00-9 | - |
| - | - | [1] Alternatively 6-34724-27-0 (1 mm less gasket pressure) [2] In conjunction with spacer 9-40445-27-0 [3] Alternatively night vent striker 9-43476-00-0 with corner-drive 6-33579-00-9 | - |
| - | - | [1] Alternatively 6-34724-28-0 (1 mm less gasket pressure) [2] In conjunction with spacer 9-40445-28-0 [3] Alternatively night vent striker 9-43476-00-0 with corner-drive 6-33579-00-9 | - |
| - | - | [1] Alternatively 6-34724-29-0 (1 mm less gasket pressure) [2] In conjunction with spacer 9-40445-29-0 [3] Alternatively night vent striker 9-43476-00-0 with corner-drive 6-33579-00-9 | - |
| 6-34153-00-0-1 | 6-34153-00-0-1 | [1] Alternatively night vent striker 9-43476-00-0 with corner-drive 6-33579-00-9 [2] Position 5 mm short of the inner edge of the frame rebate. [3] Dummy mullion with 16 mm hardware groove: shoot-bolt at top 6-22917-00-0 [1] Dummy mullion with 16 mm hardware groove: shoot-bolt at bottom 6-22916-00-0 Use striker E-13534-12-0 with passive sash with 16 mm hardware groove. | - |
| - | - | [1] Position shoot-bolt at top 6-26071-00-0 and shoot-bolt at bottom 6-24387-00-0 5 mm short of the inner edge of the frame rebate. [1] Dummy mullion with 16 mm hardware groove: shoot-bolt at top 6-22917-00-0 [1] Dummy mullion with 16 mm hardware groove: shoot-bolt at bottom 6-22916-00-0 Use striker E-13534-12-0 with passive sash with 16 mm hardware groove. | - |

Frame components for timber windows

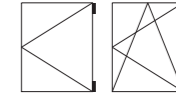
Strikers


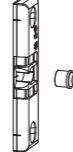



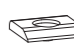



| | | | Strikers for 1-sashed windows | | | | |
|--------------------------------|-----------|-----------------|---|---|---|---|---|
| Designation of rebate system | Clearance | Groove position |  |  |  |  |  |
| | | | Standard striker (zamak) | Zamak Sec striker | Steel Sec striker can also be used horizontally as T&T striker | Steel Sec striker with 4 screw connection points for RC2 / RC3 can also be used horizontally as T&T striker | T&T striker for side-tilting function |
| Euro-rebate 30 x 8 (2 x Ø8 PP) | 12 | 13 | 9-42654-38-0-1 | 9-42655-38-0-1 | 6-35422-38-0-1 | - | - |
| Euro-rebate 31 x 8 | 12 | 9 | 9-38337-31-0-1 | - | 6-33674-31-0-1 [1] | - | - |
| Euro-rebate 36 x 8 | 12 | 9 | 9-38337-36-0-1 | - | 6-33674-36-0-1 [1] | - | - |
| Euro-groove 11/8 x 4 | 12 | 13 | 9-42654-11-0-1 | 9-42655-11-0-1 | 6-32584-11-0-1 | - | - |
| Euro-groove 7/8 x 4 | 12 | 9 | 9-42620-00-0-1 | 9-42621-00-0-1 | 6-32471-00-0-1 | 6-33082-07-0-1 | 8-00185-00-0-1 [1] |
| Clearance 4 mm | 4 | 9 | 8-00872-00-0-1 | 9-42957-00-L/R-1 | 6-32305-00-0-1 (T&T striker) 6-33449-00-L/R-1 (Sec striker all around) | - | 8-00871-00-0-1 [2] |
| Clearance 4 mm | 4 | 13 | 9-45861-00-L/R-1 | 9-45864-00-L/R-1 | 6-34629-00-0-1 (T&T striker) 9-35408-00-L/R-1 (Sec striker all around) | - | 9-45865-00-L/R-1 [1] |

Frame components for timber windows

Strikers



| Strikers for 1-sashed windows | | | | | | |
|---|---|---|---|---|---|---|
|  |  |  |  |  |  |  |
| Tilt-First striker for operating sequence 'tilt before turn' | Bullet-catch adapted to the rebate geometry including roller-cam | Run-up stop for sash lifter (mishandling device with sash-lifter) | Run-up stop for round arch in conjunction with extension with run-up block (sash part) 6-33711-00-0-1 | Night ventilation striker for standard corner-drive 6-32021-00-0-1 (1 LC-MA) and security corner-drive 6-31753-00-0-1 (2 LC-MA) | Screw-on run-up block, bottom (Sash part) is screwed to centre-lock and corner-drives, e.g. 6-32293-00-0-1, and uses the standard or steel Sec striker as counterpart | Centre-closer, concealed, frame part |
| 6-35779-01-L/R-1 [1] | K-17974-00-0-1 | 9-42684-38-0-1 | 6-24201-03-0-1 | - | 9-41796-00-0-1 | 9-41850-38-0-1 |
| 6-32668-00-0-1 | K-17044-00-0-1 | 9-40444-00-0-1 [2] | 6-24201-03-0-1 | 6-34844-00-0-1 [3] | 9-41796-00-0-1 | - |
| 6-32668-00-0-1 | K-17044-00-0-1 | 9-40444-00-0-1 [2] | 6-24201-03-0-1 | 6-34844-00-0-1 [3] | 9-41796-00-0-1 | - |
| 6-35779-00-L/R-1 | K-18048-00-0-1 | 9-42684-11-0-1 | 6-24201-03-0-1 | - | 9-41796-00-0-1 | 9-41850-11-0-1 |
| 6-32668-00-0-1 [3] | K-17044-00-0-1 [2] | 9-40443-00-0-1 | 6-24201-03-0-1 | 9-43539-00-0-1 | 9-41796-00-0-1 | 9-40873-00-0-1 |
| 6-32668-00-0-1 | K-17068-00-0-1 | 9-40244-00-0-1 | 6-24201-03-0-1 | 6-34844-00-0-1 [1] | 9-41796-00-0-1 | 9-41504-00-0-1 |
| - | K-17991-00-0-1 | 9-45866-00-0-1 | 6-24201-04-0-1 | - | 9-41796-00-0-1 | - |

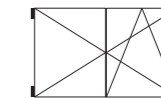
Frame components for timber windows

Strikers



Frame components for timber windows

Strikers

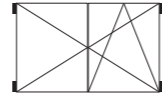


| Designation of rebate system | Clearance | Groove position | Strikers for 2-sashed windows | | | Lever-operated gear Euro-groove 7/8 x 4 | |
|---------------------------------------|-----------|-----------------|---|--------------------------|--|--|--|
| | | | Steel Sec striker can also be used horizontally as T&T striker | Standard striker (zamak) | Run-up block (bottom) for screwing to the striker for lever-operated gears and shoot-bolts | Standard striker for dummy mullion, FHH is screwed through the faceplate of the lever-operated gear and used for applications in conjunction with T&T drive-gear (FHH) | Standard striker for dummy mullion, VHH is screwed onto the side of the faceplate of the lever-operated gear for applications in conjunction with T&T drive-gear (VHH) |
| Euro-rebate 30 x 8 (2 x Ø8 PP) | 12 | 13 | 6-35422-38-0-1 | 9-42654-38-0-1 | 8-00667-00-0-1 | 9-32275-00-0-1 | 9-34130-00-0-1 |
| Euro-rebate 31 x 8 | 12 | 9 | 6-33674-31-0-1 [1] | 9-38337-31-0-1 | 8-00667-00-0-1 | 9-32275-00-0-1 | 9-34130-00-0-1 |
| Euro-rebate 36 x 8 | 12 | 9 | 6-33674-36-0-1 [1] | 9-38337-36-0-1 | 8-00667-00-0-1 | 9-32275-00-0-1 | 9-34130-00-0-1 |
| Euro-groove 11/8 x 4 | 12 | 13 | 6-32584-11-0-1 | 9-42654-11-0-1 | 8-00667-00-0-1 | 9-32275-00-0-1 | 9-34130-00-0-1 |
| Euro-groove 7/8 x 4 | 12 | 9 | 6-32471-00-0-1 | 9-42620-00-0-1 | 8-00667-00-0-1 | 9-32275-00-0-1 | 9-34130-00-0-1 |
| Clearance 4 mm | 4 | 9 | 6-32305-00-0-1 (T&T striker) 6-33449-00-L/R-1 (Sec striker all around) | 8-00872-00-0-1 | 8-00667-00-0-1 | 9-32275-00-0-1 | 9-34130-00-0-1 |
| Clearance 4 mm | 4 | 13 | 6-34629-00-0-1 (T&T striker) 9-35408-00-L/R-1 (Sec striker all around) | 9-45861-00-L/R-1 | 8-00667-00-0-1 | 9-32275-00-0-1 | 9-34130-00-0-1 |

| Lever-operated gear Euro-groove 7/8 x 4 | | Dummy-mullion drive-gear T&T, BS 30 | | Remarks – variants |
|---|-----------------------------|---|---|---|
| Top striker (adjustable) | Bottom striker (adjustable) | Standard striker for dummy mullion, FHH used with 2-sashed windows with 2 handles. Screwed to the faceplate of the lever-operated gear and used in conjunction with T&T drive-gear (FHH). | Sec striker for RC2 with 2-sashed windows with 2 window handles. Screwed to the faceplate of the lever-operated gear. | |
| 6-34153-02-0-1 | 6-34153-02-0-1 | 9-30256-00-0-1 | E-19813-00-0-1 | Installation drawings for the different hinge-sides see tables on pages 33 – 35 |
| - | - | 9-30256-00-0-1 | E-19813-00-0-1 | [1] Alternatively 6-34724-25-0 (1 mm less gasket pressure) [2] In combination with spacer 9-40445-25-0 [3] Alternatively night vent striker 9-43476-00-0 with corner-drive 6-33579-00-9 |
| - | - | 9-30256-00-0-1 | E-19813-00-0-1 | [1] Alternatively 6-34724-26-0 (1 mm less gasket pressure) [2] In conjunction with spacer 9-40445-26-0 [3] Alternatively night vent striker 9-43476-00-0 with corner-drive 6-33579-00-9 |
| - | - | 9-30256-00-0-1 | E-19813-00-0-1 | [1] Alternatively 6-34724-27-0 (1 mm less gasket pressure) [2] In conjunction with spacer 9-40445-27-0 [3] Alternatively night vent striker 9-43476-00-0 with corner-drive 6-33579-00-9 |
| G-17098-01-0-1 [2] | G-17098-01-0-1 [2] | 9-30256-00-0-1 | E-19813-00-0-1 | [1] Alternatively 6-34724-28-0 (1 mm less gasket pressure) [2] In conjunction with spacer 9-40445-28-0 [3] Alternatively night vent striker 9-43476-00-0 with corner-drive 6-33579-00-9 |
| G-17098-01-0-1 | G-17098-01-0-1 | 9-30256-00-0-1 | E-19813-00-0-1 | [1] Alternatively 6-34724-29-0 (1 mm less gasket pressure) [2] In conjunction with spacer 9-40445-29-0 [3] Alternatively night vent striker 9-43476-00-0 with corner-drive 6-33579-00-9 |
| 8-00668-01-0-1 [3] | 8-00669-00-0-1 [3] | 9-30256-00-0-1 | E-19813-00-0-1 | [1] Alternatively night vent striker 9-43476-00-0 with corner-drive 6-33579-00-9 [2] Position 5 mm short of the inner edge of the frame rebate. [3] Dummy mullion with 16 mm hardware groove: shoot-bolt at top 6-22917-00-0 [3] Dummy mullion with 16 mm hardware groove: shoot-bolt at bottom 6-22916-00-0 Use striker E-13534-12-0 with passive sash with 16 mm hardware groove. |
| 6-34153-00-0-1 | 6-35405-00-0-1 | 9-30256-00-0-1 | E-19813-00-0-1 | [1] Position shoot-bolt at top 6-26071-00-0 and shoot-bolt at bottom 6-24387-00-0 5 mm short of the inner edge of the frame rebate. [1] Dummy mullion with 16 mm hardware groove: shoot-bolt at top 6-22917-00-0 [1] Dummy mullion with 16 mm hardware groove: shoot-bolt at bottom 6-22916-00-0 Use striker E-13534-12-0 with passive sash with 16 mm hardware groove. |

Strikers

For shoot-bolts, gear connectors and lever-operated gears



Strikers for shoot-bolts, gear connectors and lever-operated gears

| Clearance | 12 mm all around | | | | | | |
|---------------------|--|----------------|---------------------|----------------|----------------------|----------------|----------------|
| | 16 mm hardware groove on opposite side | | Euro-groove 7/8 x 4 | | Euro-groove 11/8 x 4 | | |
| Lever-operated gear | ZH | | Euro-groove 7/8 x 4 | | Euro-groove 11/8 x 4 | | |
| Shoot-bolt | | | | | | | |
| | Installation position | top | bottom | top | bottom | top | bottom |
| | Order number | 6-22917-00-0-1 | 6-22916-00-0-1 | 6-22979-00-0-1 | 6-22978-00-0-1 | 6-22979-00-0-1 | 6-22978-00-0-1 |

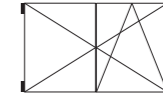
Strikers for 2-sashed windows and balcony-doors

| Frame rebate system | CL | AX | Strikers | | | | | |
|--------------------------------|----|----|----------------|----------------|----------------|----------------|----------------|----------------|
| Euro-rebate 18 x 8 | 12 | 9 | 6-26104-06-0-1 | 6-26104-06-0-1 | 6-26104-07-0-1 | 6-26104-07-0-1 | - | - |
| Euro-rebate 18 x 8 (2 x Ø8 PP) | 12 | 9 | - | - | 6-26104-08-0-1 | 6-26104-08-0-1 | - | - |
| Euro-rebate 20 x 8 | 12 | 9 | 6-28062-09-0-1 | 6-28062-09-0-1 | 6-28062-07-0-1 | 6-28062-07-0-1 | - | - |
| Euro-rebate 20 x 8 (2 x Ø8 PP) | 12 | 9 | 6-28062-89-0-1 | 6-28062-89-0-1 | - | - | - | - |
| Euro-rebate 24 x 8 | 12 | 13 | 6-34153-00-0-1 | 6-34153-00-0-1 | - | - | - | - |
| Euro-rebate 24 x 8 (2 x Ø8 PP) | 12 | 13 | 6-34153-02-0-1 | 6-34153-02-0-1 | - | - | - | - |
| Euro-rebate 24 x 8 (R4) | 12 | 13 | 6-34153-03-0-1 | 6-34153-03-0-1 | - | - | - | - |
| Euro-rebate 25 x 8 | 12 | 9 | - | - | - | - | - | - |
| Euro-rebate 26 x 8 | 12 | 9 | - | - | - | - | - | - |
| Euro-rebate 27 x 8 | 12 | 9 | - | - | - | - | - | - |
| Euro-rebate 28 x 8 | 12 | 9 | - | - | - | - | - | - |
| Euro-rebate 29 x 8 | 12 | 9 | - | - | - | - | - | - |
| Euro-rebate 29 x 8 (1 x Ø3 PP) | 12 | 13 | 6-34076-00-0-1 | 6-34076-00-0-1 | - | - | - | - |
| Euro-rebate 30 x 8 | 12 | 13 | 6-34153-00-0-1 | 6-34153-00-0-1 | - | - | - | - |
| Euro-rebate 30 x 8 (2 x Ø8 PP) | 12 | 13 | 6-34153-02-0-1 | 6-34153-02-0-1 | - | - | - | - |
| Euro-rebate 31 x 8 | 12 | 9 | - | - | - | - | - | - |
| Euro-rebate 36 x 8 | 12 | 9 | - | - | - | - | - | - |
| Euro-groove 11/8 x 4 | 12 | 13 | 6-34153-01-0-1 | 6-34153-01-0-1 | - | - | G-17098-01-0-1 | G-17098-01-0-1 |
| Euro-groove 7/8 x 4 | 12 | 9 | G-17098-00-0-1 | G-17098-00-0-1 | G-17098-01-0-1 | G-17098-01-0-1 | - | - |
| Clearance 4 mm | 4 | 9 | - | 6-25376-00-0-1 | 6-26104-07-0-1 | 6-26103-00-0-1 | - | - |
| Clearance 4 mm | 4 | 13 | - | 6-35405-00-0-1 | - | - | - | - |

For more information and details about alternative strikers refer to pages 428 – 435.

Strikers

For shoot-bolts, gear connectors and lever-operated gears



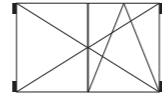
| 12 mm all around | | | | 4 mm at bottom / 12 mm at top | | | |
|---|----------------|----------------------------------|--------------------|-------------------------------|----------------|--------------------------|------------------|
| Euro-rebate (flat rebate) 18 x 8 / 20 x 8 | | Euro-rebate (flat rebate) 24 x 8 | | 9 mm axis, mill-in type | | 13 mm axis, mill-in type | |
| - | | - | | - | | - | |
| | | | | | | | |
| top | bottom | top | bottom | top | bottom | top | bottom |
| 6-26071-00-0-1 | 6-24387-00-0-1 | 6-26071-00-0-1 [1] | 6-24387-00-0-1 [1] | 8-00782-00-0-1 | 8-00781-00-0-1 | 6-35402-00-L/R-1 | 6-35401-00-L/R-1 |

| Strikers | | | | | | | |
|----------------|----------------|----------------|----------------|----------------|----------------|----------------|----------------|
| 6-26104-06-0-1 | 6-26104-06-0-1 | - | - | - | - | - | - |
| - | - | - | - | - | - | - | - |
| 6-28062-09-0-1 | 6-28062-09-0-1 | - | - | - | - | - | - |
| 6-28062-89-0-1 | 6-28062-89-0-1 | - | - | - | - | - | - |
| - | - | 6-34153-00-0-1 | 6-34153-00-0-1 | - | - | - | - |
| - | - | 6-34153-02-0-1 | 6-34153-02-0-1 | - | - | - | - |
| - | - | 6-34153-03-0-1 | 6-34153-03-0-1 | - | - | - | - |
| - | - | - | - | - | - | - | - |
| - | - | - | - | - | - | - | - |
| - | - | - | - | - | - | - | - |
| - | - | - | - | - | - | - | - |
| - | - | - | - | - | - | - | - |
| - | - | 6-34153-00-0-1 | 6-34153-00-0-1 | - | - | - | - |
| - | - | 6-34153-02-0-1 | 6-34153-02-0-1 | - | - | - | - |
| - | - | - | - | - | - | - | - |
| - | - | - | - | - | - | - | - |
| - | - | 6-34153-01-0-1 | 6-34153-01-0-1 | - | - | - | - |
| G-17098-00-0-1 | G-17098-00-0-1 | - | - | - | - | - | - |
| - | - | - | - | 6-25375-00-0-1 | 6-25376-00-0-1 | - | - |
| - | - | - | - | - | - | 6-34153-01-0-1 | 6-35405-00-0-1 |

[1] = With dummy-mullion profiles "flat rebate 24 x 8", shoot-bolts 6-26071-00-0-1 and 6-24387-00-0-1 sit 6 mm back from the rebate edge of the dummy-mullion profile.

Strikers – 16 mm hardware groove

For shoot-bolts, gear connectors and lever-operated gears



Clearance 4 mm

Bottom installation



| Striker [1] | | |
|-----------------|-----|----------------|
| Groove position | PU | Order number |
| 9 mm | 100 | 6-25376-00-0-1 |

| Striker [1] | | |
|-----------------|-----|----------------|
| Groove position | PU | Order number |
| 9 mm | 100 | 8-00669-00-0-1 |

| Striker | | |
|-----------------|-----|----------------|
| Groove position | PU | Order number |
| 13 mm | 100 | 6-35405-00-0-1 |

Euro-rebate 18 x 8, clearance 12 mm

Top/bottom installation



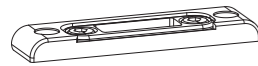
| Striker | | |
|-----------------|-----|----------------|
| Groove position | PU | Order number |
| 9 mm | 100 | 6-26104-06-0-1 |

| Striker [1] | | |
|-----------------|-----|----------------|
| Groove position | PU | Order number |
| 9 mm | 100 | 6-25375-00-0-1 |

| Striker [1] | | |
|-----------------|-----|----------------|
| Groove position | PU | Order number |
| 9 mm | 100 | 8-00668-01-0-1 |

Euro-rebate 20 x 8, clearance 12 mm

Top/bottom installation



| Striker | | |
|-----------------|-----|----------------|
| Groove position | PU | Order number |
| 9 mm | 100 | 6-28062-09-0-1 |

| Striker (PP) | | |
|-----------------|-----|----------------|
| Groove position | PU | Order number |
| 9 mm | 100 | 6-28062-89-0-1 |

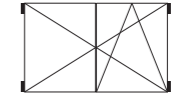
Note:

All strikers with adjustable gasket pressure

[1] Appropriate run-up block 8-00667-00-0-1

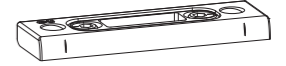
Strikers – 16 mm hardware groove

For shoot-bolts, gear connectors and lever-operated gears



Euro-rebate 24 x 8, clearance 12 mm

Top/bottom installation



| Striker | | |
|-----------------|-----|----------------|
| Groove position | PU | Order number |
| 13 mm | 100 | 6-34153-00-0-1 |

| Striker (PP) | | |
|-----------------|-----|----------------|
| Groove position | PU | Order number |
| 13 mm | 100 | 6-34153-02-0-1 |

| Striker (R4) | | |
|-----------------|-----|----------------|
| Groove position | PU | Order number |
| 13 mm | 100 | 6-34153-03-0-1 |

Euro-rebate 30 x 8, clearance 12 mm

Top/bottom installation



| Striker | | |
|-----------------|-----|----------------|
| Groove position | PU | Order number |
| 13 mm | 100 | 6-34153-00-0-1 |

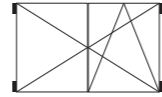
| Striker (PP) | | |
|-----------------|-----|----------------|
| Groove position | PU | Order number |
| 13 mm | 100 | 6-34153-02-0-1 |

Note:

All strikers with adjustable gasket pressure

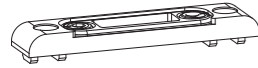
Strikers – 16 mm hardware groove

For shoot-bolts, gear connectors and lever-operated gears



Euro-groove 7/8 x 4, clearance 12 mm

Top/bottom installation



| Striker | | |
|-----------------|-----|----------------|
| Groove position | PU | Order number |
| 9 mm | 100 | G-17098-00-0-1 |

Euro-groove 11/8 x 4, clearance 12 mm

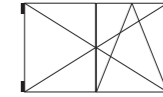
Top/bottom installation



| Striker | | |
|-----------------|-----|----------------|
| Groove position | PU | Order number |
| 13 mm | 100 | 6-34153-01-0-1 |

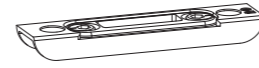
Strikers – Euro-groove 7/8 x 4

For shoot-bolts, gear connectors and lever-operated gears



Clearance 4 mm

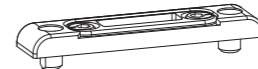
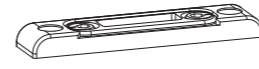
Bottom installation



| Striker | | |
|-----------------|-----|----------------|
| Groove position | PU | Order number |
| 9 mm | 100 | 6-26103-00-0-1 |

Euro-rebate 18 x 8, clearance 12 mm

Top/bottom installation

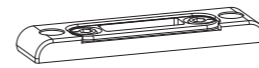


| Striker | | |
|-----------------|-----|----------------|
| Groove position | PU | Order number |
| 9 mm | 100 | 6-26104-07-0-1 |

| Striker (PP) | | |
|-----------------|-----|----------------|
| Groove position | PU | Order number |
| 9 mm | 100 | 6-26104-08-0-1 |

Euro-rebate 20 x 8, clearance 12 mm

Top/bottom installation



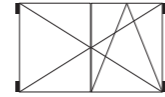
| Striker | | |
|-----------------|-----|----------------|
| Groove position | PU | Order number |
| 9 mm | 100 | 6-28062-07-0-1 |

Note:
All strikers with adjustable gasket pressure

Note:
All strikers with adjustable gasket pressure

Strikers – Euro-groove 7/8 x 4

For shoot-bolts, gear connectors and lever-operated gears



Euro-groove 7/8 x 4, clearance 12 mm

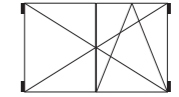
Top/bottom installation



| Striker | | |
|-----------------|-----|----------------|
| Groove position | PU | Order number |
| 9 mm | 100 | G-17098-01-0-1 |

Strikers – Euro-groove 11/8 x 4

For shoot-bolts, gear connectors and lever-operated gears



Euro-groove 11/8 x 4, clearance 12 mm

Top/bottom installation



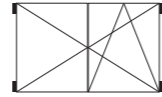
| Striker | | |
|-----------------|-----|----------------|
| Groove position | PU | Order number |
| 13 mm | 100 | G-17098-01-0-1 |

Note:
All strikers with adjustable gasket pressure

Note:
All strikers with adjustable gasket pressure

Strikers – Euro-rebate 18 x 8, 20 x 8

For shoot-bolts, gear connectors and lever-operated gears



Euro-rebate 18 x 8, clearance 12 mm

Top/bottom installation



| Striker | | |
|-----------------|-----|----------------|
| Groove position | PU | Order number |
| 9 mm | 100 | 6-26104-06-0-1 |

Euro-rebate 20 x 8, clearance 12 mm

Top/bottom installation



| Striker | | |
|-----------------|-----|----------------|
| Groove position | PU | Order number |
| 9 mm | 100 | 6-28062-09-0-1 |

| Striker (PP) | | |
|-----------------|-----|----------------|
| Groove position | PU | Order number |
| 9 mm | 100 | 6-28062-89-0-1 |

Euro-groove 7/8 x 4, clearance 12 mm

Top/bottom installation

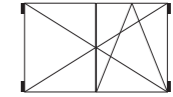


| Striker | | |
|-----------------|-----|----------------|
| Groove position | PU | Order number |
| 9 mm | 100 | G-17098-00-0-1 |

Note:
All strikers with adjustable gasket pressure

Strikers – Euro-rebate 24 x 8

For shoot-bolts, gear connectors and lever-operated gears



Euro-rebate 24 x 8, clearance 12 mm

Top/bottom installation



| Striker | | |
|-----------------|-----|----------------|
| Groove position | PU | Order number |
| 13 mm | 100 | 6-34153-00-0-1 |

| Striker (PP) | | |
|-----------------|-----|----------------|
| Groove position | PU | Order number |
| 13 mm | 100 | 6-34153-02-0-1 |

| Striker (R4) | | |
|-----------------|-----|----------------|
| Groove position | PU | Order number |
| 13 mm | 100 | 6-34153-03-0-1 |

Euro-rebate 30 x 8, clearance 12 mm

Top/bottom installation



| Striker | | |
|-----------------|-----|----------------|
| Groove position | PU | Order number |
| 13 mm | 100 | 6-34153-00-0-1 |

| Striker (PP) | | |
|-----------------|-----|----------------|
| Groove position | PU | Order number |
| 13 mm | 100 | 6-34153-02-0-1 |

Euro-groove 11/8 x 4, clearance 12 mm

Top/bottom installation



| Striker | | |
|-----------------|-----|----------------|
| Groove position | PU | Order number |
| 13 mm | 100 | 6-34153-01-0-1 |

Note:
All strikers with adjustable gasket pressure



5 UNI-JET hinge-side and frame components for aluminium windows

| | |
|----------------------------------|-----|
| 5.1 Face-fixed hinge-side | |
| Table of contents | 439 |
| 5.2 Concealed hinge-side | |
| Table of contents | 469 |
| 5.3 Frame components | |
| Table of contents | 477 |



Table of contents



5.1 Face-fixed hinge-side for aluminium windows

| | |
|-------------------|-----|
| UNI-JET C | |
| Table of contents | 441 |
| <hr/> | |
| UNI-JET D | |
| Table of contents | 449 |
| <hr/> | |

Table of contents

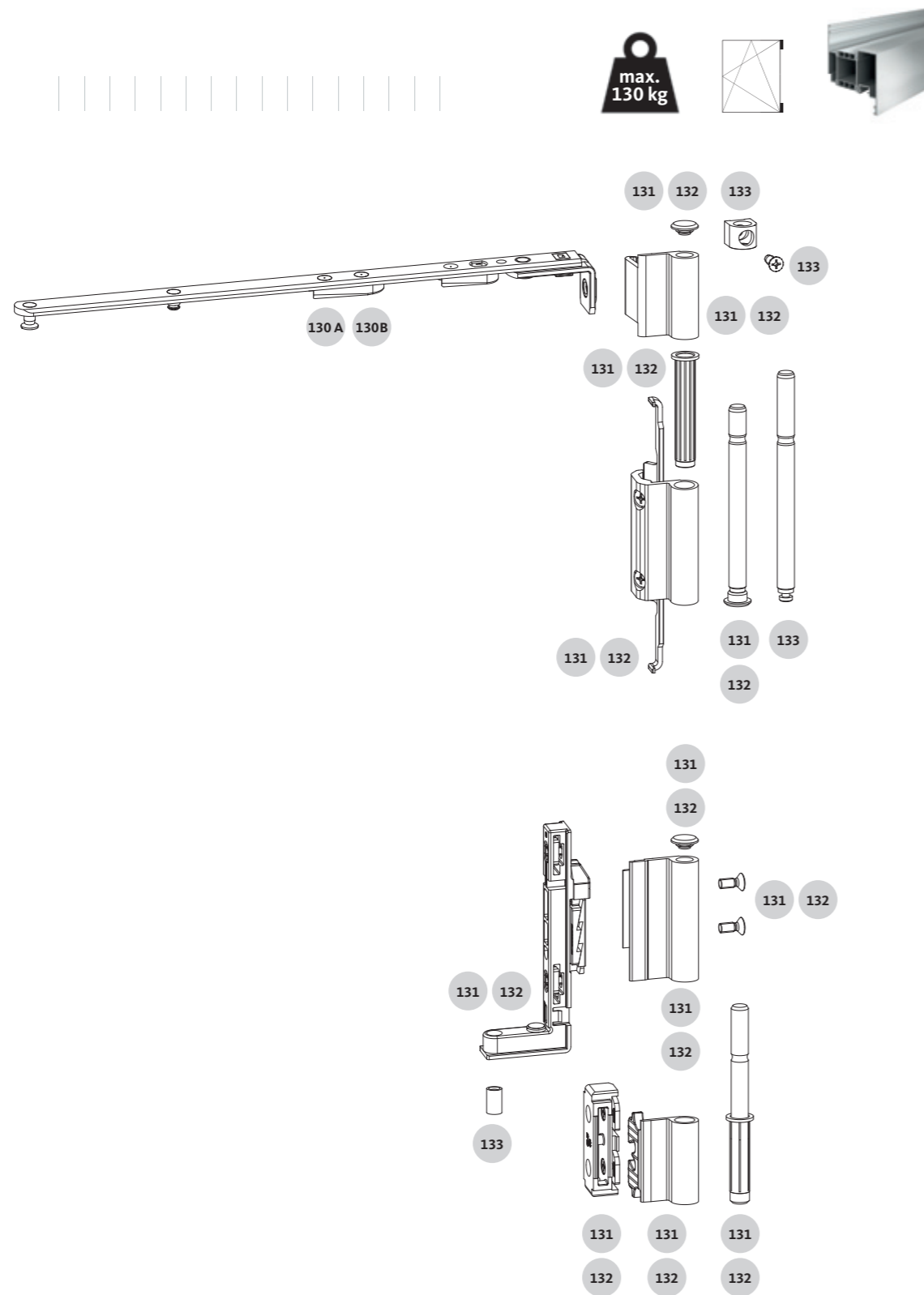


UNI-JET C

| | |
|---|-----|
| Tilt&Turn / Tilt-First sash – up to max. 130 kg sash weight | 442 |
| Turn-Only sash – up to max. 130 kg sash weight | 444 |
| Tilt-Only sash – up to max. 100 kg sash weight | 446 |

UNI-JET C – Tilt&Turn / Tilt-First sash

Max. sash weight 130 kg



Tested hardware load-bearing capacity

- Max. 130 kg see application diagram 0-45844
- Installation drawing: 0-44708

- Instructions on how to remove stay-bearing pin 0-47135

Order example

Sash overlap
18 or 20
K-18550-□□-0-1

UNI-JET C – Tilt&Turn / Tilt-First sash

Max. sash weight 130 kg



Upper hinge-side

| Tilt&Turn stay-arm, AX 9/13 mm | | | |
|--------------------------------|-----------|----|----------------|
| Item | SRW | PU | Order number |
| 130 A | 280-500 | 10 | 6-31518-03-0-1 |
| | 501-750 | | 6-31518-06-0-1 |
| | 751-1200 | | 6-31518-08-0-1 |
| | 1201-1600 | | 6-31518-12-0-1 |

| Tilt-First stay-arm, AX 9/13 mm | | | |
|---------------------------------|-----------|----|----------------|
| Item | SRW | PU | Order number |
| 130 B | 280-500 | 10 | 6-33777-03-0-1 |
| | 501-750 | | 6-33777-06-0-1 |
| | 751-1200 | | 6-33777-08-0-1 |
| | 1201-1600 | | 6-33777-12-0-1 |

Upper/lower hinge-side

| Hinge-side set, rear-cut hardware groove, AX 9 mm | | | |
|---|--------------|----|----------------|
| Item | Frame groove | PU | Order number |
| 131 | 10/14 | 10 | K-18554-□□-0-□ |
| | 14/18 | | K-18550-□□-0-□ |

| Hinge-side set, rear-cut hardware groove, AX 13 mm | | | |
|--|--------------|----|----------------|
| Item | Frame groove | PU | Order number |
| 131 | 10/14 | 10 | K-18556-□□-0-□ |
| | 14/18 | | K-18552-□□-0-□ |

| Hinge-side set, flat hardware groove, AX 9 mm | | | |
|---|--------------|----|----------------|
| Item | Frame groove | PU | Order number |
| 132 | 10/14 | 10 | K-18555-□□-0-□ |
| | 14/18 | | K-18551-□□-0-□ |

| Hinge-side set, flat hardware groove, AX 13 mm | | | |
|--|--------------|----|----------------|
| Item | Frame groove | PU | Order number |
| 132 | 10/14 | 10 | K-18557-□□-0-□ |
| | 12/15 | | K-19446-□□-0-□ |
| | 14/18 | | K-18553-□□-0-□ |

| Hinge-side set – additional parts | | | |
|-----------------------------------|--|----|----------------|
| Item | | PU | Order number |
| 133 | | 1 | K-16595-00-0-□ |

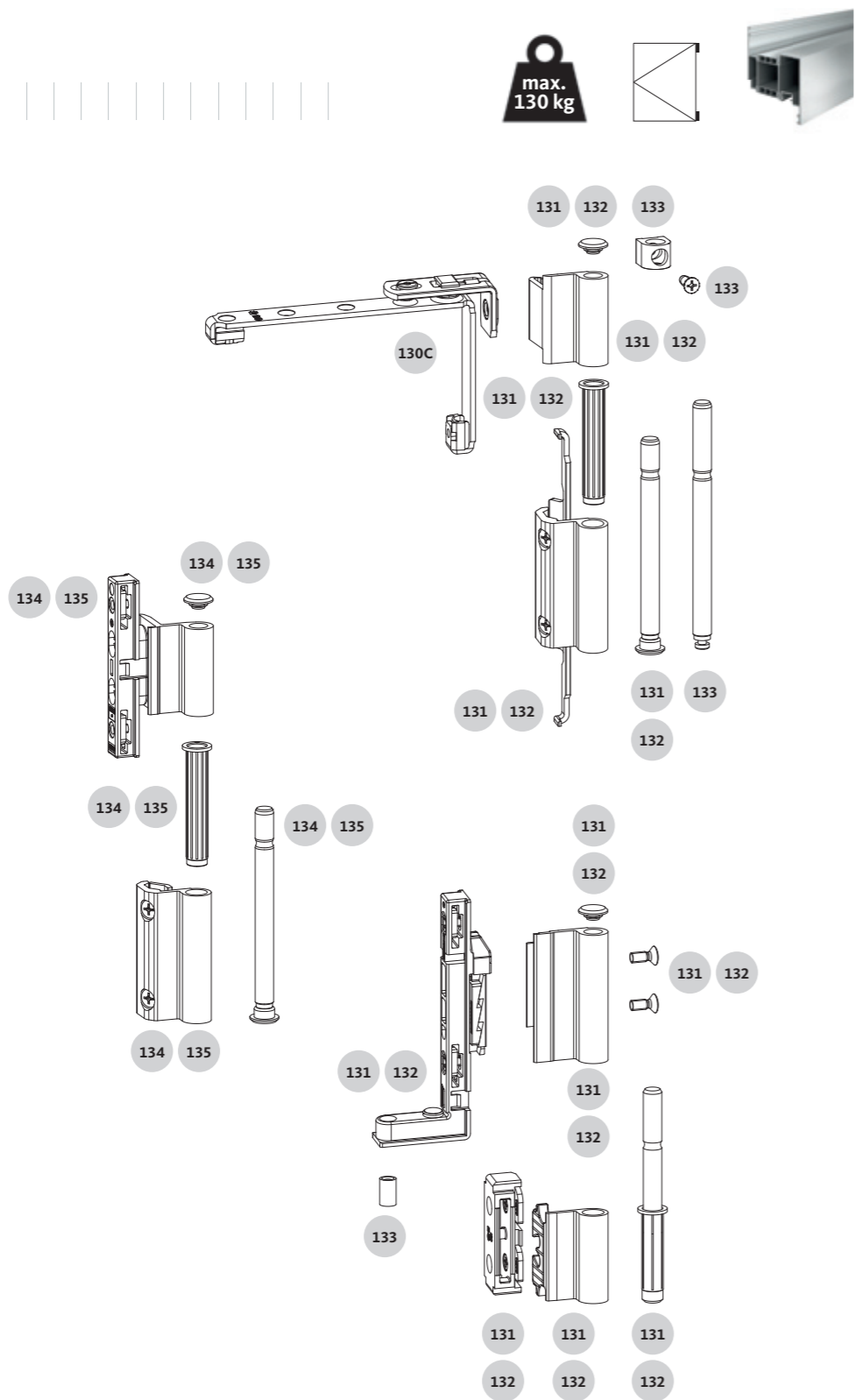
General information

- For Tilt&Turn: with T&T additional stay (8-00734-00-0-1).
Sash weight < 100 kg: SRW 1301-1600, Sash weight > 100 kg: SRW 1201-1600
- For Tilt-First: with TF additional stay (G-45995-00-0-1).
Sash weight < 100 kg: SRW 1301-1600, Sash weight > 100 kg: SRW 1201-1600

□ = Colour: 0 = uncoated, 1 = EV1, 6 = black, 7 = white/RAL 9016, 7T = white/RAL 9010

UNI-JET C – Turn-Only sash

Max. sash weight 130 kg



Tested hardware load-bearing capacity

- Max. 130 kg see application diagram 0-45844
- Instructions on how to remove stay-bearing pin 0-47135
- Installation drawing: 0-44708

Order example

Sash overlap
18 or 20
K-18550-□□-0-1

UNI-JET C – Turn-Only sash

Max. sash weight 130 kg



Upper hinge-side

| Turn-Only hinge, AX 9/13 mm | | | |
|-----------------------------|--|----|----------------|
| Item | | PU | Order number |
| 130C | | 50 | 6-31519-00-0-1 |

Centre hinge-side

| Centre-closer, concealed, adjustable, sash part | | | |
|---|--|-----|----------------|
| Item | | PU | Order number |
| 64B | | 100 | 6-34229-00-0-1 |

| Centre-closer, concealed, not adjustable, sash part | | | |
|---|--|-----|----------------|
| Item | | PU | Order number |
| 64A | | 100 | 9-40564-00-0-1 |

| Centre-closer, concealed, AX 9 mm, frame part | | | | |
|---|--------------|------------|-----|----------------|
| Item | Frame groove | Dim. B [1] | PU | Order number |
| 64C | 10/14 | - | 100 | 9-40871-09-0-1 |
| | 14/18 | 3.5 | | 9-40871-07-0-1 |
| | | 4.0 | | 9-40871-08-0-1 |

| Centre-closer, concealed, AX 13 mm, frame part | | | | |
|--|--------------|------------|-----|----------------|
| Item | Frame groove | Dim. B [1] | PU | Order number |
| 64C | 10/14 | - | 100 | 9-40565-13-0-1 |
| | 14/18 | 3.5 | | 9-40565-15-0-1 |
| | | 4.0 | | 9-40565-14-0-1 |

| Centre rebate-hinge set, rear-cut hardware groove, AX 9 mm | | | |
|--|--|----|----------------|
| Item | | PU | Order number |
| 134 | | 10 | K-17216-□□-0-□ |

| Centre rebate-hinge set, rear-cut hardware groove, AX 13 mm | | | |
|---|--|----|----------------|
| Item | | PU | Order number |
| 134 | | 10 | K-17218-□□-0-□ |

| Centre rebate-hinge set, flat hardware groove, AX 9 mm | | | |
|--|--|----|----------------|
| Item | | PU | Order number |
| 135 | | 10 | K-17217-□□-0-□ |

| Centre rebate-hinge set, flat hardware groove, AX 13 mm | | | |
|---|--|----|----------------|
| Item | | PU | Order number |
| 135 | | 10 | K-17219-□□-0-□ |

Upper/lower hinge-side

| Hinge-side set, rear-cut hardware groove, AX 9 mm | | | |
|---|--------------|----|----------------|
| Item | Frame groove | PU | Order number |
| 131 | 10/14 | 10 | K-18554-□□-0-□ |
| | 14/18 | | K-18550-□□-0-□ |

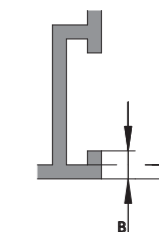
| Hinge-side set, rear-cut hardware groove, AX 13 mm | | | |
|--|--------------|----|----------------|
| Item | Frame groove | PU | Order number |
| 131 | 10/14 | 10 | K-18556-□□-0-□ |
| | 14/18 | | K-18552-□□-0-□ |

| Hinge-side set, flat hardware groove, AX 9 mm | | | |
|---|--------------|----|----------------|
| Item | Frame groove | PU | Order number |
| 132 | 10/14 | 10 | K-18555-□□-0-□ |
| | 14/18 | | K-18551-□□-0-□ |

| Hinge-side set, flat hardware groove, AX 13 mm | | | |
|--|--------------|----|----------------|
| Item | Frame groove | PU | Order number |
| 132 | 10/14 | 10 | K-18557-□□-0-□ |
| | 12/15 | | K-19446-□□-0-□ |
| | 14/18 | | K-18553-□□-0-□ |

| Hinge-side set – additional parts | | | |
|-----------------------------------|--|----|----------------|
| Item | | PU | Order number |
| 133 | | 1 | K-16595-00-0-□ |

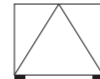
[1] Frame groove dimensions



□ = Colour: 0 = uncoated, 1 = EV1, 6 = black, 7 = white/RAL 9016, 7T = white/RAL 9010

UNI-JET C – Tilt-Only sash

Max. sash weight 100 kg



UNI-JET C – Tilt-Only sash

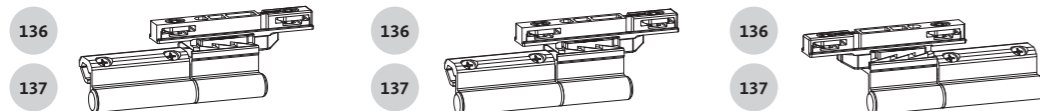
Max. sash weight 100 kg



Lower hinge-side

| Tilt-Only hinge set, rear-cut hardware groove [1] | | | |
|---|-------|-----|----------------|
| Item | | PU | Order number |
| 136 | AX 9 | 100 | K-17212-□□-0-□ |
| | AX 13 | | K-17214-□□-0-□ |

| Tilt-Only hinge set, flat hardware groove [1] | | | |
|---|-------|-----|----------------|
| Item | | PU | Order number |
| 137 | AX 9 | 100 | K-17213-□□-0-□ |
| | AX 13 | | K-17215-□□-0-□ |



Tested hardware load-bearing capacity

- Max. 80 kg (2 Tilt-Only hinges)
- Max. 100 kg (3 Tilt-Only hinges)
- Installation drawing 0-46928

- Instructions on how to remove stay-bearing pin 0-47135
- SRW = 480–2400 mm
- SRH = 260–1200 mm

Order example

Sash overlap
18 or 20
K-17212-□□-0-1

[1] SRW < 1200 mm, 2 pcs Tilt-Only hinges.
SRW > 1201 mm, 3 pcs Tilt-Only hinges.
See installation drawing 0-46928.

Table of contents

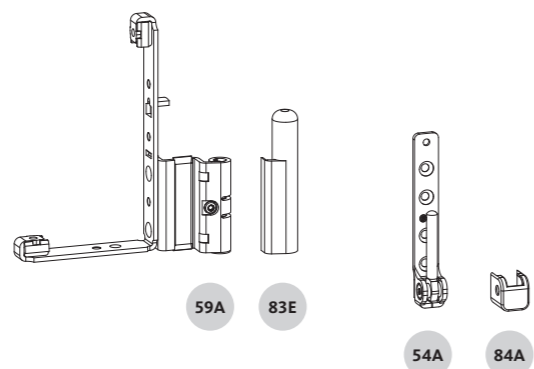
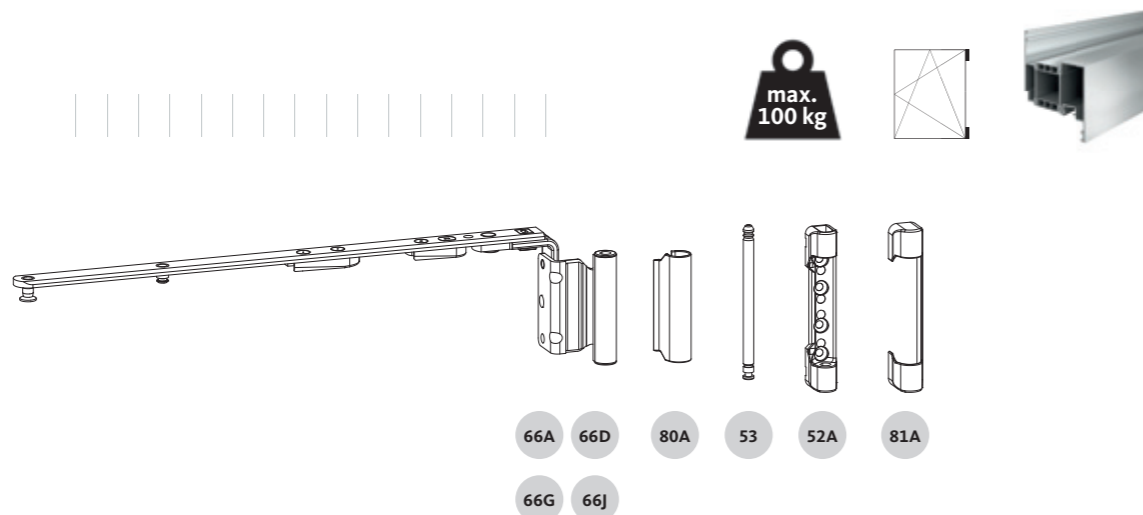


UNI-JET D

| | |
|---|-----|
| Tilt&Turn / Tilt-First sash – up to max. 100 kg sash weight | 450 |
| Turn-Only sash – up to max. 100 kg sash weight | 452 |
| Tilt-Only sash – up to max. 80 kg sash weight | 454 |
| Tilt-Only sash (handle on the side) – up to max. 100 kg sash weight | 456 |
| Tilt&Turn sash – pitched window – up to max. 100 kg sash weight | 458 |
| Tilt&Turn sash – arched window – up to max. 80 kg sash weight | 460 |
| Hinge-side accessories | 462 |

UNI-JET D – Tilt&Turn / Tilt-First sash

Max. sash weight 100 kg



Tested hardware load-bearing capacity

- Max. 100 kg see application diagram 0-45558
- Installation drawing 0-46741

Order example

Sash overlap
18, 20 or 22
6-39113-□□-L/R-1

UNI-JET D – Tilt&Turn / Tilt-First sash

Max. sash weight 100 kg



Upper hinge-side

| Tilt&Turn stay-arm, AX 9 mm | | | |
|-------------------------------|-----------|----|------------------|
| Item | SRW | PU | Order number |
| 66A | 280-500 | 10 | 6-39113-□□-L/R-1 |
| | 501-750 | | 6-39114-□□-L/R-1 |
| | 751-1200 | | 6-39115-□□-L/R-1 |
| | 1201-1600 | | 6-39116-□□-L/R-1 |
| Tilt&Turn stay-arm, AX 13 mm | | | |
| 66D | 280-500 | 10 | 6-39117-□□-L/R-1 |
| | 501-750 | | 6-39118-□□-L/R-1 |
| | 751-1200 | | 6-39119-□□-L/R-1 |
| | 1201-1600 | | 6-39120-□□-L/R-1 |
| Tilt-First stay-arm, AX 9 mm | | | |
| Item | SRW | PU | Order number |
| 66G | 280-500 | 10 | 6-39137-□□-L/R-1 |
| | 501-750 | | 6-39138-□□-L/R-1 |
| | 751-1200 | | 6-39139-□□-L/R-1 |
| | 1201-1600 | | 6-39140-□□-L/R-1 |
| Tilt-First stay-arm, AX 13 mm | | | |
| 66J | 280-500 | 10 | 6-39141-□□-L/R-1 |
| | 501-750 | | 6-39142-□□-L/R-1 |
| | 751-1200 | | 6-39143-□□-L/R-1 |
| | 1201-1600 | | 6-39144-□□-L/R-1 |

| Cover cap for stay-hinge | | | |
|--------------------------|--------------|-----|----------------|
| Item | Colours | PU | Order number |
| 80A | See page 466 | 100 | 9-47795-01-0-□ |

| Stay-bearing pin | | | |
|------------------|--|-----|----------------|
| Item | | PU | Order number |
| 53 | | 100 | 9-48898-00-0-1 |

| Stay-bearing D/100 | | | |
|--------------------|---------------------------------|-----|----------------|
| Item | | PU | Order number |
| 52A | Positioning pin Ø 3, L = 2.5 mm | 100 | 6-36026-03-0-1 |
| | Positioning pin Ø 6, L = 2.5 mm | | 6-36026-06-0-1 |

| Cover cap for stay-bearing | | | |
|----------------------------|--------------|-----|----------------|
| Item | Colours | PU | Order number |
| 81A | See page 467 | 100 | 9-47334-01-0-□ |

Lower hinge-side

| Rebate corner-hinge – with turn-brake | | | |
|---------------------------------------|---------|----|------------------|
| Item | | PU | Order number |
| 59A | Axis 9 | 50 | 6-37455-□□-L/R-1 |
| | Axis 13 | | 6-37456-□□-L/R-1 |

| Cover cap for rebate corner-hinge | | | |
|-----------------------------------|--------------|-----|------------------|
| Item | Colours | PU | Order number |
| 83E | See page 468 | 100 | 9-40487-00-L/R-□ |

| Pivot-rest D/100 | | | |
|------------------|---------------------------------|-----|----------------|
| Item | | PU | Order number |
| 54A | Positioning pin Ø 3, L = 2.5 mm | 100 | 6-36881-03-0-1 |
| | Positioning pin Ø 6, L = 22 mm | | 6-36882-22-0-1 |

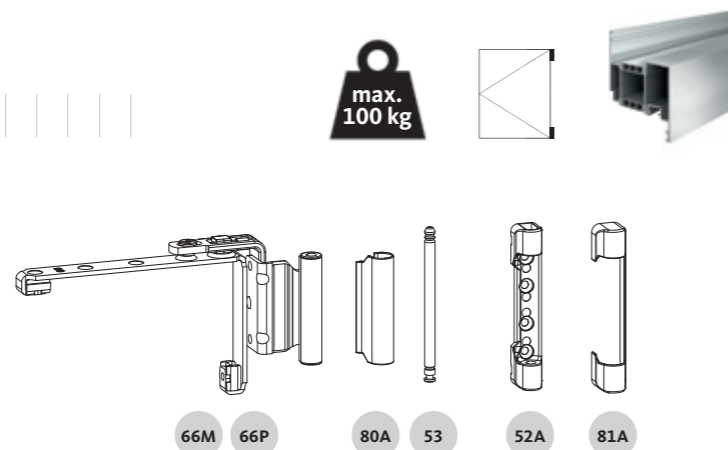
| Cover cap for pivot-rest | | | |
|--------------------------|--------------|-----|----------------|
| Item | Colours | PU | Order number |
| 84A | See page 468 | 100 | 9-42683-00-0-□ |

General Information

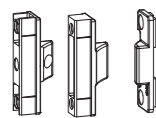
- For Tilt&Turn: with T&T additional stay (8-00734-00-0-1).
Sash weight < 100 kg: SRW 1301-1600, Sash weight > 100 kg: SRW 1201-1600
- For Tilt-First: with TF additional stay (G-45995-00-0-1).
Sash weight < 100 kg: SRW 1301-1600, Sash weight > 100 kg: SRW 1201-1600

UNI-JET D – Turn-Only sash

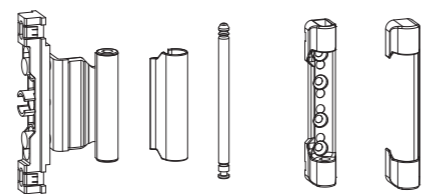
Max. sash weight 100 kg



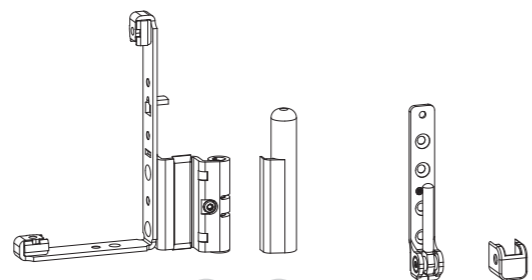
66M 66P 80A 53 52A 81A



64B 64A 64C



62A 80A 53 52A 81A



59A 83E 54A 84A

Tested hardware load-bearing capacity

- Max. 100 kg see application diagram 0-45558
- Installation drawing 0-46741

Order example

Sash overlap
18, 20 or 22
6-39147-□□-0-1

UNI-JET D – Turn-Only sash

Max. sash weight 100 kg



Upper hinge-side

| Turn-Only hinge, AX 9 mm | | | |
|--------------------------|---------|----|----------------|
| Item | Colours | PU | Order number |
| 66M | | 50 | 6-39147-□□-0-1 |

| Turn-Only hinge, AX 13 mm | | | |
|---------------------------|---------|----|----------------|
| Item | Colours | PU | Order number |
| 66P | | 50 | 6-39148-□□-0-1 |

| Cover cap for stay-hinge | | | |
|--------------------------|--------------|-----|----------------|
| Item | Colours | PU | Order number |
| 80A | See page 466 | 100 | 9-47795-01-0-□ |

| Stay-bearing pin | | | |
|------------------|---------|-----|----------------|
| Item | Colours | PU | Order number |
| 53 | | 100 | 9-48898-00-0-1 |

| Stay-bearing D/100 | | | |
|--------------------|---------------------------------|-----|----------------|
| Item | Colours | PU | Order number |
| 52A | Positioning pin Ø 3, L = 2.5 mm | 100 | 6-36026-03-0-1 |
| | Positioning pin Ø 6, L = 2.5 mm | | 6-36026-06-0-1 |

| Cover cap for stay-bearing | | | |
|----------------------------|--------------|-----|----------------|
| Item | Colours | PU | Order number |
| 81A | See page 467 | 100 | 9-47334-01-0-□ |

Lower hinge-side

| Rebate corner-hinge – with turn-brake | | | |
|---------------------------------------|---------|----|------------------|
| Item | Colours | PU | Order number |
| 59A | Axis 9 | 50 | 6-37455-□□-L/R-1 |
| | Axis 13 | | 6-37456-□□-L/R-1 |

| Cover cap for rebate corner-hinge | | | |
|-----------------------------------|--------------|-----|------------------|
| Item | Colours | PU | Order number |
| 83E | See page 468 | 100 | 9-40487-00-L/R-□ |

| Pivot-rest D/100 | | | |
|------------------|---------------------------------|-----|----------------|
| Item | Colours | PU | Order number |
| 54A | Positioning pin Ø 3, L = 2.5 mm | 100 | 6-36881-03-0-1 |
| | Positioning pin Ø 6, L = 22 mm | | 6-36882-22-0-1 |

| Cover cap for pivot-rest | | | |
|--------------------------|--------------|-----|----------------|
| Item | Colours | PU | Order number |
| 84A | See page 468 | 100 | 9-42683-00-0-□ |

Centre hinge-side

| Centre-closer, concealed, adjustable, sash part | | | |
|---|---------|-----|----------------|
| Item | Colours | PU | Order number |
| 64B | | 100 | 6-34229-00-0-1 |

| Centre-closer, concealed, not adjustable, sash part | | | |
|---|---------|-----|----------------|
| Item | Colours | PU | Order number |
| 64A | | 100 | 9-40564-00-0-1 |

| Centre-closer, concealed, AX 9 mm, frame part | | | | |
|---|--------------|------------|-----|----------------|
| Item | Frame groove | Dim. B [1] | PU | Order number |
| 64C | 10/14 | – | 100 | 9-40871-09-0-1 |
| | 14/18 | 3.5 | | 9-40871-07-0-1 |
| | | 4.0 | | 9-40871-08-0-1 |

| Centre-closer, concealed, AX 13 mm, frame part | | | | |
|--|--------------|------------|-----|----------------|
| Item | Frame groove | Dim. B [1] | PU | Order number |
| 64C | 10/14 | – | 100 | 9-40565-13-0-1 |
| | 14/18 | 3.5 | | 9-40565-15-0-1 |
| | | 4.0 | | 9-40565-14-0-1 |

| Turn-Only centre rebate-hinge (with compensation) | | | |
|---|---------|-----|----------------|
| Item | Colours | PU | Order number |
| 62A | Axis 9 | 100 | 6-36841-□□-0-1 |
| | Axis 13 | | 6-36842-□□-0-1 |

| Cover for stay-hinge | | | |
|----------------------|--------------|-----|----------------|
| Item | Colours | PU | Order number |
| 80A | See page 466 | 100 | 9-47795-01-0-□ |

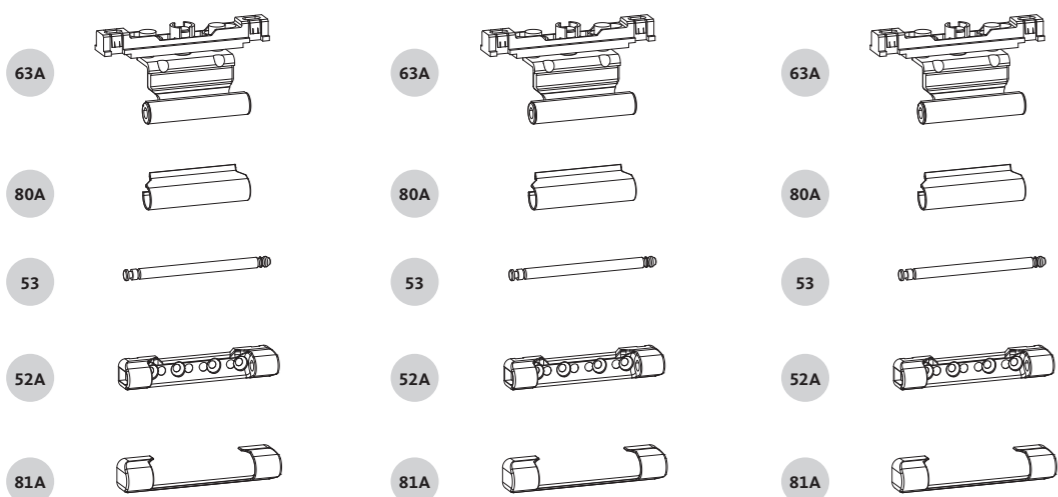
| Stay-bearing pin | | | |
|------------------|---------|-----|----------------|
| Item | Colours | PU | Order number |
| 53 | | 100 | 9-48898-00-0-1 |

| Stay-bearing D/100 | | | |
|--------------------|---------------------------------|-----|----------------|
| Item | Colours | PU | Order number |
| 52A | Positioning pin Ø 3, L = 2.5 mm | 100 | 6-36026-03-0-1 |
| | Positioning pin Ø 6, L = 2.5 mm | | 6-36026-06-0-1 |

| Cover cap for stay-bearing | | | |
|----------------------------|--------------|-----|----------------|
| Item | Colours | PU | Order number |
| 81A | See page 467 | 100 | 9-47334-01-0-□ |

UNI-JET D – Tilt-Only sash

Max. sash weight 80 kg



UNI-JET D – Tilt-Only sash

Max. sash weight 80 kg



Lower hinge-side

| Tilt-Only hinge [1] | | | |
|---------------------|---------|-----|----------------|
| Item | | PU | Order number |
| 63A | Axis 9 | 100 | 6-36838-□□-0-1 |
| | Axis 13 | | 6-36839-□□-0-1 |

| Cover cap for stay-hinge | | | |
|--------------------------|--------------|-----|----------------|
| Item | Colours | PU | Order number |
| 80A | See page 466 | 100 | 9-47795-01-0-□ |

| Stay-bearing pin | | | |
|------------------|--|-----|----------------|
| Item | | PU | Order number |
| 53 | | 100 | 9-48898-00-0-1 |

| Stay-bearing D/100 | | | |
|--------------------|---------------------------------|-----|----------------|
| Item | | PU | Order number |
| 52A | Positioning pin Ø 3, L = 2.5 mm | 100 | 6-36026-03-0-1 |
| | Positioning pin Ø 6, L = 2.5 mm | | 6-36026-06-0-1 |

| Cover cap for stay-bearing | | | |
|----------------------------|--------------|-----|----------------|
| Item | Colours | PU | Order number |
| 81A | See page 467 | 100 | 9-47334-01-0-□ |

Tested hardware load-bearing capacity

- Max. 80 kg see application diagram 0-46854
- Installation drawing 0-46795
- SRW = 480–2400 mm
- SRH = 260–1200 mm

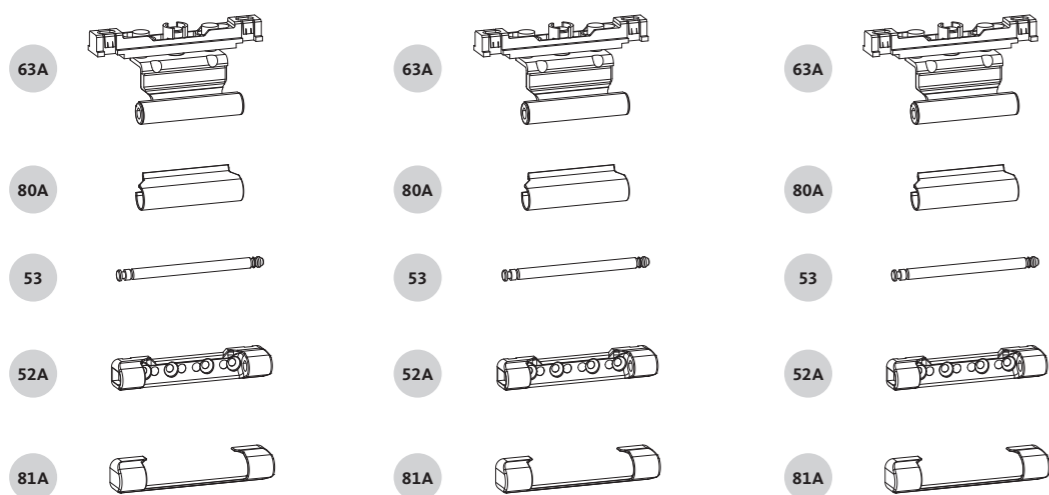
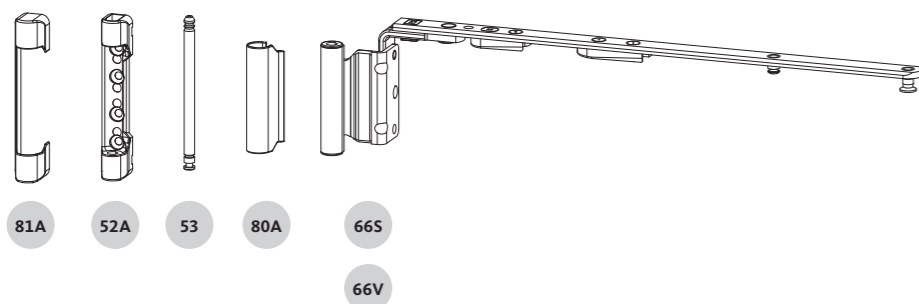
Order example

Sash overlap
18, 20 or 22
6-36838-□□-0-1

[1] SRW < 1200 mm, 2 pcs Tilt-Only hinges.
SRW > 1201 mm, 3 pcs Tilt-Only hinges.
See installation drawing 0-46795.

UNI-JET D – Tilt-Only sash (handle on the side)

Max. sash weight 100 kg



Tested hardware load-bearing capacity

- Max. 100 kg see application diagram 0-46854
- Installation drawing 0-46795
- SRW = 480-2400 mm
- SRH = 260-1200 mm

Order example

Sash overlap
18, 20 or 22
6-36838-□□-0-1

UNI-JET D – Tilt-Only sash (handle on the side)

Max. sash weight 100 kg



Top (additional) hinge-side

| Cover cap for stay-bearing | | | |
|----------------------------|--------------|-----|----------------|
| Item | Colours | PU | Order number |
| 81A | See page 467 | 100 | 9-47334-01-0-□ |

| Stay-bearing D/100 | | | |
|--------------------|---------------------------------|-----|----------------|
| Item | | PU | Order number |
| 52A | Positioning pin Ø 3, L = 2.5 mm | 100 | 6-36026-03-0-1 |
| | Positioning pin Ø 6, L = 2.5 mm | | 6-36026-06-0-1 |

| Stay-bearing pin | | | |
|------------------|--|-----|----------------|
| Item | | PU | Order number |
| 53 | | 100 | 9-48898-00-0-1 |

| Cover cap for stay-hinge | | | |
|--------------------------|--------------|-----|----------------|
| Item | Colours | PU | Order number |
| 80A | See page 466 | 100 | 9-47795-01-0-□ |

| Tilt-Only sash stay-arm, AX 9 mm | | | |
|----------------------------------|---------------|----|----------------|
| Item | SRW | PU | Order number |
| 66S | 1320-2220 [1] | 10 | 6-39145-□□-0-1 |

| Tilt-Only sash stay-arm, AX 13 mm | | | |
|-----------------------------------|---------------|----|----------------|
| Item | SRW | PU | Order number |
| 66V | 1320-2220 [1] | 10 | 6-39146-□□-0-1 |

Lower hinge-side

| Tilt-Only hinge [2] | | | |
|---------------------|---------|-----|----------------|
| Item | | PU | Order number |
| 63A | Axis 9 | 100 | 6-36838-□□-0-1 |
| | Axis 13 | | 6-36839-□□-0-1 |

| Cover cap for stay-hinge | | | |
|--------------------------|--------------|-----|----------------|
| Item | Colours | PU | Order number |
| 80A | See page 466 | 100 | 9-47795-01-0-□ |

| Stay-bearing pin | | | |
|------------------|--|-----|----------------|
| Item | | PU | Order number |
| 53 | | 100 | 9-48898-00-0-1 |

| Stay-bearing D/100 | | | |
|--------------------|---------------------------------|-----|----------------|
| Item | | PU | Order number |
| 52A | Positioning pin Ø 3, L = 2.5 mm | 100 | 6-36026-03-0-1 |
| | Positioning pin Ø 6, L = 2.5 mm | | 6-36026-06-0-1 |

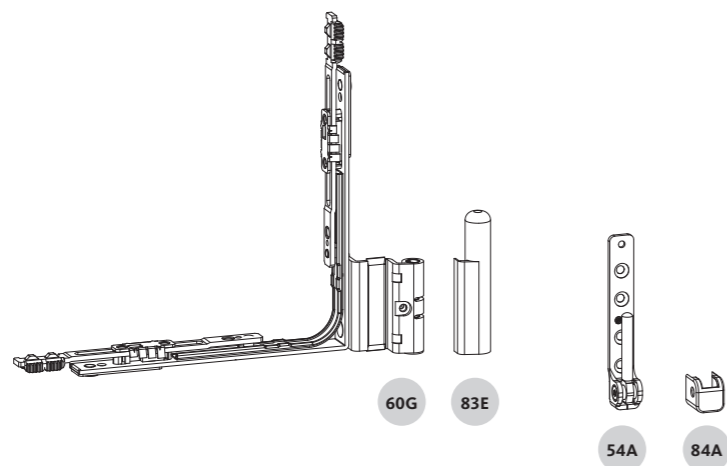
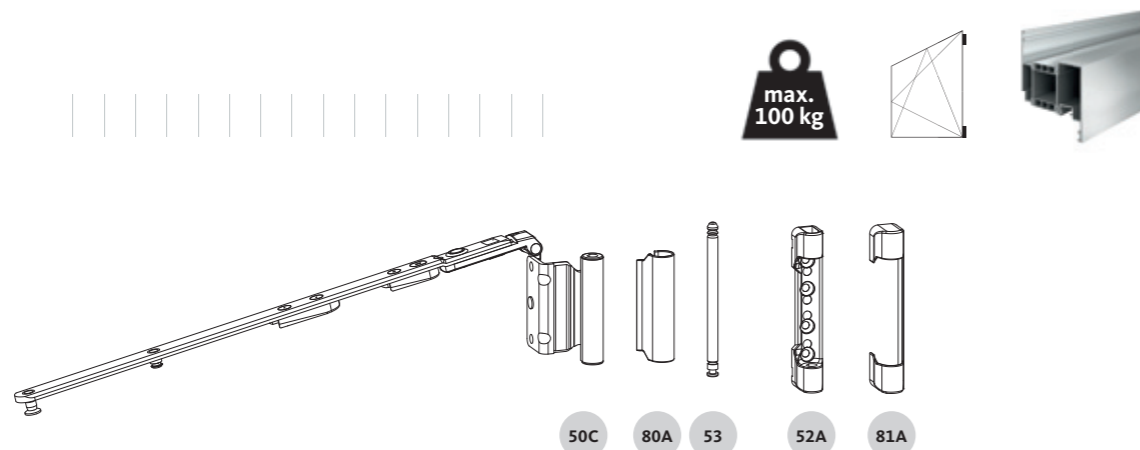
| Cover cap for stay-bearing | | | |
|----------------------------|--------------|-----|----------------|
| Item | Colours | PU | Order number |
| 81A | See page 467 | 100 | 9-47334-01-0-□ |

[1] For wide Tilt-Only sashes up to SRW 2220 mm in conjunction with Tilt-Only stay-guide 6-32183-□□ and extension 6-32334-00. Observe installation drawing 0-44401.

[2] SRW < 1200 mm, 2 pcs Tilt-Only hinges.
SRW > 1201 mm, 3 pcs Tilt-Only hinges.
See installation drawing 0-46795.

UNI-JET D – Tilt&Turn sash, pitched window

Max. sash weight 100 kg



Tested hardware load-bearing capacity

- Max. 100 kg see application diagrams 0-45877, 0-45878, 0-45879, 0-45880
- Installation drawing 0-46742

Order example

Sash overlap
18, 20 or 22
6-36818-□□-0-1

UNI-JET D – Tilt&Turn sash, pitched window

Max. sash weight 100 kg



Upper hinge-side

| Pitched window stay-arm, AX 9 mm | | | |
|-----------------------------------|-----------|-----|----------------|
| Item | SRW P | PU | Order number |
| 50C | 410-510 | 100 | 6-36818-□□-0-1 |
| | 511-760 | | 6-36819-□□-0-1 |
| | 761-1210 | | 6-36820-□□-0-1 |
| | 1211-1460 | | 6-36821-□□-0-1 |
| Pitched window stay-arm, AX 13 mm | | | |
| 50C | 410-510 | 100 | 6-36822-□□-0-1 |
| | 511-760 | | 6-36823-□□-0-1 |
| | 761-1210 | | 6-36824-□□-0-1 |
| | 1211-1460 | | 6-36825-□□-0-1 |

| Cover cap for stay-hinge | | | |
|--------------------------|--------------|-----|----------------|
| Item | Colours | PU | Order number |
| 80A | See page 466 | 100 | 9-47795-01-0-□ |

| Stay-bearing pin | | | |
|------------------|--|-----|----------------|
| Item | | PU | Order number |
| 53 | | 100 | 9-48898-00-0-1 |

| Stay-bearing D/100 | | | |
|--------------------|---------------------------------|-----|----------------|
| Item | | PU | Order number |
| 52A | Positioning pin Ø 3, L = 2.5 mm | 100 | 6-36026-03-0-1 |
| | Positioning pin Ø 6, L = 2.5 mm | | 6-36026-06-0-1 |

| Cover cap for stay-bearing | | | |
|----------------------------|--------------|-----|----------------|
| Item | Colours | PU | Order number |
| 81A | See page 467 | 100 | 9-47334-01-0-□ |

Lower hinge-side

| Corner-drive rebate-hinge D/100 – with turn-brake | | | |
|---|---------|----|------------------|
| Item | | PU | Order number |
| 60G | Axis 9 | 50 | 6-39000-□□-L/R-1 |
| | Axis 13 | | 6-39001-□□-L/R-1 |

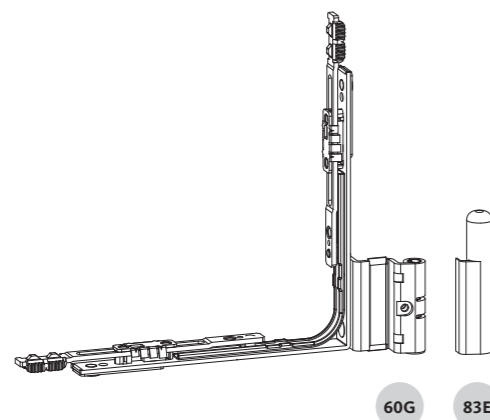
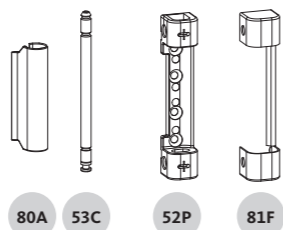
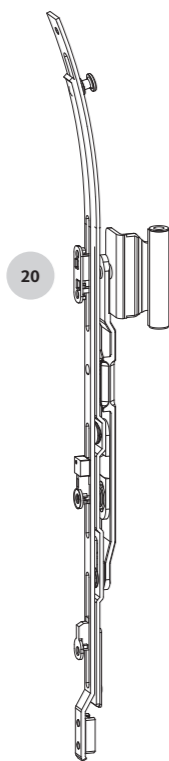
| Cover for corner-drive rebate-hinge | | | |
|-------------------------------------|--------------|-----|------------------|
| Item | Colours | PU | Order number |
| 83E | See page 468 | 100 | 9-40487-00-L/R-□ |

| Pivot-rest D/100 | | | |
|------------------|---------------------------------|-----|----------------|
| Item | | PU | Order number |
| 54A | Positioning pin Ø 3, L = 2.5 mm | 100 | 6-36881-03-0-1 |
| | Positioning pin Ø 6, L = 22 mm | | 6-36882-22-0-1 |

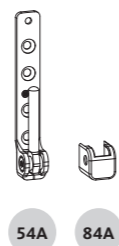
| Cover cap for pivot-rest | | | |
|--------------------------|--------------|-----|----------------|
| Item | Colours | PU | Order number |
| 84A | See page 468 | 100 | 9-42683-00-0-□ |

UNI-JET D – Tilt&Turn sash, arched window

Max. sash weight 80 kg



60G 83E



54A 84A

Tested hardware load-bearing capacity

- Max. 80 kg see application diagram 0-47727
- Installation drawing 0-47637 for hinge-side
- Installation drawing 0-47299 for central locking system

Order example

Sash overlap
18, 20 or 22
6-39336-□□-0-1

UNI-JET D – Tilt&Turn sash, arched window

Max. sash weight 80 kg



Upper hinge-side

| Arched stay, AX 9 mm | | | | | |
|----------------------|----------|----------|-------|----|----------------|
| Item | SRW | SRH RA | LC-MA | PU | Order number |
| 20 | 455-1250 | 470-2090 | 1 | 10 | 6-39336-□□-0-1 |

| Arched stay, AX 13 mm | | | | | |
|-----------------------|----------|----------|-------|----|----------------|
| Item | SRW | SRH RA | LC-MA | PU | Order number |
| 20 | 455-1250 | 470-2090 | 1 | 10 | 6-39337-□□-0-1 |

| Cover cap for stay-hinge | | | |
|--------------------------|--------------|-----|----------------|
| Item | Colours | PU | Order number |
| 80A | See page 466 | 100 | 9-47795-01-0-□ |

| Stay-bearing pin | | | |
|------------------|--|-----|----------------|
| Item | | PU | Order number |
| 53C | | 100 | 9-50141-00-0-1 |

| Stay-bearing | | | |
|--------------|---------------------------------|-----|----------------|
| Item | | PU | Order number |
| 52P | Positioning pin Ø 3, L = 2.5 mm | 100 | 6-39063-03-0-1 |

| Cover cap for stay-bearing | | | |
|----------------------------|--------------|-----|----------------|
| Item | Colours | PU | Order number |
| 81F | See page 467 | 100 | 9-50710-00-0-□ |

Lower hinge-side

| Corner-drive rebate-hinge D/100 – with turn-brake | | | |
|---|---------|----|------------------|
| Item | | PU | Order number |
| 60G | Axis 9 | 50 | 6-39000-□□-L/R-1 |
| | Axis 13 | | 6-39001-□□-L/R-1 |

| Cover for corner-drive rebate-hinge | | | |
|-------------------------------------|--------------|-----|------------------|
| Item | Colours | PU | Order number |
| 83E | See page 468 | 100 | 9-40487-00-L/R-□ |

| Pivot-rest D/100 | | | |
|------------------|---------------------------------|-----|----------------|
| Item | | PU | Order number |
| 54A | Positioning pin Ø 3, L = 2.5 mm | 100 | 6-36881-03-0-1 |
| | Positioning pin Ø 6, L = 22 mm | | 6-36882-22-0-1 |

| Cover cap for pivot-rest | | | |
|--------------------------|--------------|-----|----------------|
| Item | Colours | PU | Order number |
| 84A | See page 468 | 100 | 9-42683-00-0-□ |

UNI-JET D – hinge-side accessories

Stay-bearing



| Stay-bearing D/100 | | | |
|--------------------|---------------------------------|-----|----------------|
| Item | Description | PU | Order number |
| 52A | Positioning pin Ø 3, L = 2.5 mm | 100 | 6-36026-03-0-1 |
| | Positioning pin Ø 6, L = 2.5 mm | | 6-36026-06-0-1 |

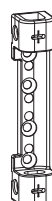
UNI-JET D – hinge-side accessories

Stay-bearing pin



| Stay-bearing pin | | | |
|------------------|-------------|-----|----------------|
| Item | Description | PU | Order number |
| 53 | | 100 | 9-48898-00-0-1 |

A stay-bearing pin must be ordered separately with every stay-bearing.



| Stay-bearing for round arch | | | |
|-----------------------------|---------------------------------|-----|----------------|
| Item | Description | PU | Order number |
| 52P | Positioning pin Ø 3, L = 2.5 mm | 100 | 6-39063-03-0-1 |

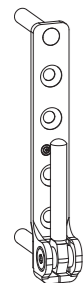


| Stay-bearing pin for round arch | | | |
|---------------------------------|-------------|-----|----------------|
| Item | Description | PU | Order number |
| 53C | | 100 | 9-50141-00-0-1 |

A stay-bearing pin must be ordered separately with every stay-bearing.

UNI-JET D – hinge-side accessories

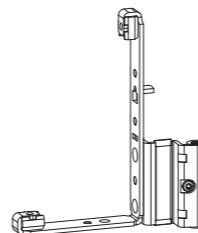
Pivot-rest



| Pivot-rest D/100 | | | |
|------------------|---------------------------------|-----|----------------|
| Item | Description | PU | Order number |
| 54A | Positioning pin Ø 3, L = 2.5 mm | 100 | 6-36881-03-0-1 |
| | Positioning pin Ø 6, L = 22 mm | | 6-36882-22-0-1 |

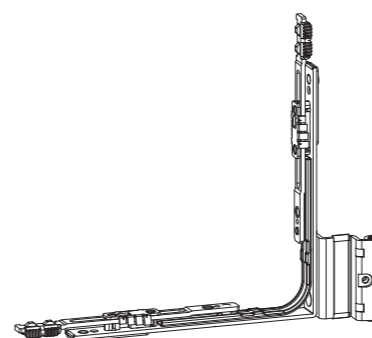
UNI-JET D – hinge-side accessories

Rebate corner-hinge / corner-drive rebate-hinge



| Rebate corner-hinge D/100 – without overlap screw-fixing, with turn-brake | | | |
|---|-----------------|----|------------------|
| Item | Description | PU | Order number |
| 59A | Size 18 / AX 9 | 50 | 6-37455-18-L/R-1 |
| | Size 18 / AX 13 | | 6-37456-18-L/R-1 |
| | Size 20 / AX 9 | | 6-37455-20-L/R-1 |
| | Size 20 / AX 13 | | 6-37456-20-L/R-1 |

- Adjustable concealed turn-brake prevents the sash from closing of its own accord (also with slight air draughts).

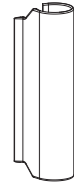


| Corner-drive rebate-hinge D/100 – without overlap screw-fixing, with turn-brake | | | |
|---|-----------------|----|------------------|
| Item | Description | PU | Order number |
| 60G | Size 18 / AX 9 | 50 | 6-39000-18-L/R-1 |
| | Size 18 / AX 13 | | 6-39001-18-L/R-1 |
| | Size 20 / AX 9 | | 6-39000-20-L/R-1 |
| | Size 20 / AX 13 | | 6-39001-20-L/R-1 |

- The corner-drive rebate-hinge combines the functions of rebate corner-hinge and corner-drive. The integrated corner-drive has the function of deflecting the hinge-side locking system around the corner at the bottom.
- For arched and pitched windows.
- Adjustable concealed turn-brake prevents the sash from closing of its own accord (also with slight air draughts).

UNI-JET D – hinge-side accessories

Cover caps



Cover cap for stay-hinge

| Colours | GU internal ref. | Info | Order number |
|------------------------|------------------|------------------------|-----------------|
| Silver colour | 1N (painted) | EV1 | 9-47795-01-0-1 |
| Champagne | 2N (painted) | EV2 | 9-47795-01-0-2 |
| Vaporised brass | 3R (vaporised) | Vap. brass | 9-47795-01-0-3 |
| Brass colour | 3N (painted) | Brass col. | 9-47795-01-0-3N |
| Medium bronze | 4N (painted) | UC 3 | 9-47795-01-0-4 |
| Dark brown | 5X (coloured) | UC5 | 9-47795-01-0-5 |
| Clay brown | 54 (painted) | RAL 8003 | 9-47795-01-0-54 |
| Black | 6N (painted) | RAL 9005 | 9-47795-01-0-6 |
| Cream white | 7R (painted) | RAL 9001 | 9-47795-01-0-7R |
| Traffic white | 7X (coloured) | RAL 9016 | 9-47795-01-0-7 |
| Stainless-steel effect | 8X (painted) | Stainless-steel effect | 9-47795-01-0-8 |
| Light ivory | AN (painted) | RAL 1015 | 9-47795-01-0-AN |
| Light brown | AM (painted) | F4 light brown | 9-47795-01-0-AM |
| Titanium colour | CL (painted) | Titanium colour | 9-47795-01-0-C |
| Anthracite grey | DP (painted) | RAL 7016 | 9-47795-01-0-DP |

- Packaging: 100 pcs cover caps in cardboard box
- More colours are available on request

UNI-JET D – hinge-side accessories

Cover caps



Cover cap for stay-bearing

| Colours | GU internal ref. | Info | Order number |
|------------------------|------------------|------------------------|-----------------|
| Silver colour | 1N (painted) | EV1 | 9-47334-01-0-1 |
| Champagne | 2N (painted) | EV2 | 9-47334-01-0-2 |
| Vaporised brass | 3R (vaporised) | Vap. brass | 9-47334-01-0-3 |
| Brass colour | 3N (painted) | Brass col. | 9-47334-01-0-3N |
| Medium bronze | 4N (painted) | UC 3 | 9-47334-01-0-4 |
| Dark brown | 5X (coloured) | UC5 | 9-47334-01-0-5 |
| Clay brown | 54 (painted) | RAL 8003 | 9-47334-01-0-54 |
| Black | 6N (painted) | RAL 9005 | 9-47334-01-0-6 |
| Cream white | 7R (painted) | RAL 9001 | 9-47334-01-0-7R |
| Traffic white | 7X (coloured) | RAL 9016 | 9-47334-01-0-7 |
| Stainless-steel effect | 8X (painted) | Stainless-steel effect | 9-47334-01-0-8 |
| Light ivory | AN (painted) | RAL 1015 | 9-47334-01-0-AN |
| Light brown | AM (painted) | F4 light brown | 9-47334-01-0-AM |
| Titanium colour | CL (painted) | Titanium colour | 9-47334-01-0-C |
| Anthracite grey | DP (painted) | RAL 7016 | 9-47334-01-0-DP |



Cover cap for round-arch stay-bearing

| Colours | GU internal ref. | Info | Order number |
|------------------------|------------------|------------------------|-----------------|
| Silver colour | 1N (painted) | EV1 | 9-50710-00-0-1 |
| Champagne | 2N (painted) | EV2 | 9-50710-00-0-2 |
| Vaporised brass | 3R (vaporised) | Vap. brass | 9-50710-00-0-3 |
| Brass colour | 3N (painted) | Brass col. | 9-50710-00-0-3N |
| Medium bronze | 4N (painted) | UC 3 | 9-50710-00-0-4 |
| Dark brown | 5X (coloured) | UC5 | 9-50710-00-0-5 |
| Clay brown | 54 (painted) | RAL 8003 | 9-50710-00-0-54 |
| Black | 6N (painted) | RAL 9005 | 9-50710-00-0-6 |
| Cream white | 7R (painted) | RAL 9001 | 9-50710-00-0-7R |
| Traffic white | 7X (coloured) | RAL 9016 | 9-50710-00-0-7 |
| Stainless-steel effect | 8X (painted) | Stainless-steel effect | 9-50710-00-0-8 |
| Light ivory | AN (painted) | RAL 1015 | 9-50710-00-0-AN |
| Light brown | AM (painted) | F4 light brown | 9-50710-00-0-AM |
| Titanium colour | CL (painted) | Titanium colour | 9-50710-00-0-C |
| Anthracite grey | DP (painted) | RAL 7016 | 9-50710-00-0-DP |

- Packaging: 100 pcs cover caps in cardboard box
- More colours are available on request

UNI-JET D – hinge-side accessories

Cover caps



| Cover cap for pivot-rest D/100 | | | |
|--------------------------------|------------------|------------------------|-----------------|
| Colours | GU internal ref. | Info | Order number |
| Silver colour | 1N (painted) | EV1 | 9-42683-00-0-1 |
| Champagne | 2N (painted) | EV2 | 9-42683-00-0-2 |
| Vaporised brass | 3R (vaporised) | Vap. brass | 9-42683-00-0-3 |
| Brass colour | 3N (painted) | Brass col. | 9-42683-00-0-3N |
| Medium bronze | 4N (painted) | UC 3 | 9-42683-00-0-4 |
| Dark brown | 5X (coloured) | UC5 | 9-42683-00-0-5 |
| Clay brown | 54 (painted) | RAL 8003 | 9-42683-00-0-54 |
| Black | 6N (painted) | RAL 9005 | 9-42683-00-0-6 |
| Cream white | 7R (painted) | RAL 9001 | 9-42683-00-0-7R |
| Traffic white | 7X (coloured) | RAL 9016 | 9-42683-00-0-7 |
| Stainless-steel effect | 8X (painted) | Stainless-steel effect | 9-42683-00-0-8 |
| Light ivory | AN (painted) | RAL 1015 | 9-42683-00-0-AN |
| Light brown | AM (painted) | F4 light brown | 9-42683-00-0-AM |
| Titanium colour | CL (painted) | Titanium colour | 9-42683-00-0-C |
| Anthracite grey | DP (painted) | RAL 7016 | 9-42683-00-0-DP |

Table of contents



5.2 Concealed hinge-side for aluminium windows

UNI-JET CC

- Tilt&Turn / Tilt-First sash – up to max. 130 kg sash weight
- Turn-Only sash – up to max. 130 kg sash weight
- Tilt-Only sash – up to max. 80 kg sash weight

470
472
474



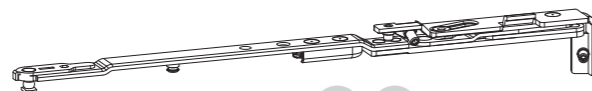
| Cover cap for rebate corner-hinge/corner-drive rebate-hinge without overlap screw-fixing, with turn-brake | | | |
|---|------------------|------------------------|-------------------|
| Colours | GU internal ref. | Info | Order number |
| Silver colour | 1N (painted) | EV1 | 9-40487-00-L/R-1 |
| Champagne | 2N (painted) | EV2 | 9-40487-00-L/R-2 |
| Vaporised brass | 3R (vaporised) | Vap. brass | 9-40487-00-L/R-3 |
| Brass colour | 3N (painted) | Brass col. | 9-40487-00-L/R-3N |
| Medium bronze | 4N (painted) | UC 3 | 9-40487-00-L/R-4 |
| Dark brown | 5X (coloured) | UC5 | 9-40487-00-L/R-5 |
| Clay brown | 54 (painted) | RAL 8003 | 9-40487-00-L/R-54 |
| Black | 6N (painted) | RAL 9005 | 9-40487-00-L/R-6 |
| Cream white | 7R (painted) | RAL 9001 | 9-40487-00-L/R-7R |
| Traffic white | 7X (coloured) | RAL 9016 | 9-40487-00-L/R-7 |
| Stainless-steel effect | 8X (painted) | Stainless-steel effect | 9-40487-00-L/R-8 |
| Light ivory | AN (painted) | RAL 1015 | 9-40487-00-L/R-AN |
| Light brown | AM (painted) | F4 light brown | 9-40487-00-L/R-AM |
| Titanium colour | CL (painted) | Titanium colour | 9-40487-00-L/R-C |
| Anthracite grey | DP (painted) | RAL 7016 | 9-40487-00-L/R-DP |

- This cover is equipped with a long nose piece covering the visible area between the overlap and rebate corner-hinge.
- Compatible with
 - rebate corner-hinge 6-37455-□□, 6-37456-□□ and
 - corner-drive rebate-hinge 6-39000-□□, 6-39001-□□

- Packaging: 100 pcs cover caps in cardboard box
- More colours are available on request

UNI-JET CC – Tilt&Turn / Tilt-First sash

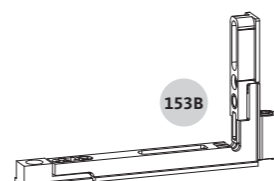
Max. sash weight 130 kg



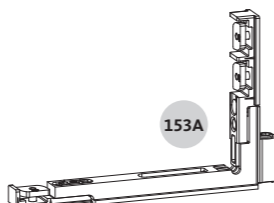
151A 151B



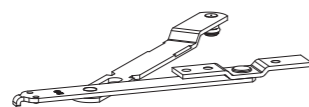
29A



153B

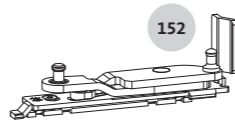


153A



29

29D



152

Tested hardware load-bearing capacity

- Max. 130 kg see application diagram 0-45927
- Installation drawing 0-45815

UNI-JET CC – Tilt&Turn / Tilt-First sash

Max. sash weight 130 kg



Upper hinge-side

| Tilt&Turn stay-arm, AX 9 mm | | | | |
|------------------------------|----------|--------|----|------------------|
| Item | SRW | Length | PU | Order number |
| 151A | 390-750 | 320 | 10 | 6-35256-30-L/R-1 |
| | 751-1400 | 450 | | 6-35256-45-L/R-1 |
| Tilt&Turn stay-arm, AX 13 mm | | | | |
| 151A | 390-750 | 320 | 10 | 6-35374-30-L/R-1 |
| | 751-1400 | 450 | | 6-35374-45-L/R-1 |

| Tilt-First stay-arm, AX 9 mm | | | | |
|-------------------------------|----------|--------|----|------------------|
| Item | SRW | Length | PU | Order number |
| 151B | 390-750 | 320 | 10 | 6-35257-30-L/R-1 |
| | 751-1400 | 450 | | 6-35257-45-L/R-1 |
| Tilt-First stay-arm, AX 13 mm | | | | |
| 151B | 390-750 | 320 | 10 | 6-35375-30-L/R-1 |
| | 751-1400 | 450 | | 6-35375-45-L/R-1 |

Lower hinge-side

| Corner-hinge, rear-cut hardware groove, AX 9 mm | | | | |
|--|----------|--------|-----|------------------|
| Item | SRW | Length | PU | Order number |
| 153A | 390-1400 | 130 | 100 | 6-35648-09-L/R-1 |
| Corner-hinge, rear-cut hardware groove, AX 13 mm | | | | |
| 153A | 390-1400 | 130 | 100 | 6-35648-13-L/R-1 |

| Corner-hinge, flat hardware groove, AX 9 mm | | | | |
|--|----------|--------|-----|------------------|
| Item | SRW | Length | PU | Order number |
| 153B | 390-1400 | 130 | 100 | 6-34096-09-L/R-1 |
| Corner-hinge, flat hardware groove, AX 13 mm | | | | |
| 153B | 390-1400 | 130 | 100 | 6-34096-13-L/R-1 |

| Pivot-rest, AX 9 mm and 13 mm | | | |
|-------------------------------|--------------|-----|------------------|
| Item | Frame groove | PU | Order number |
| 152 | 10/14 | 100 | 6-35175-00-L/R-1 |
| | 14/18 | | 6-35175-12-L/R-1 |
| | 12/15 | | |

| Turn restrictor [1] | | | | |
|---------------------|----------|--------|----|----------------|
| Item | SRW | Length | PU | Order number |
| 29 | 801-1400 | 180 | 10 | 6-35704-00-0-1 |

| Turn restrictor with brake [2] | | | | |
|--------------------------------|----------|--------|----|----------------|
| Item | SRW | Length | PU | Order number |
| 29A | 801-1400 | 325 | 10 | 6-34886-00-0-1 |

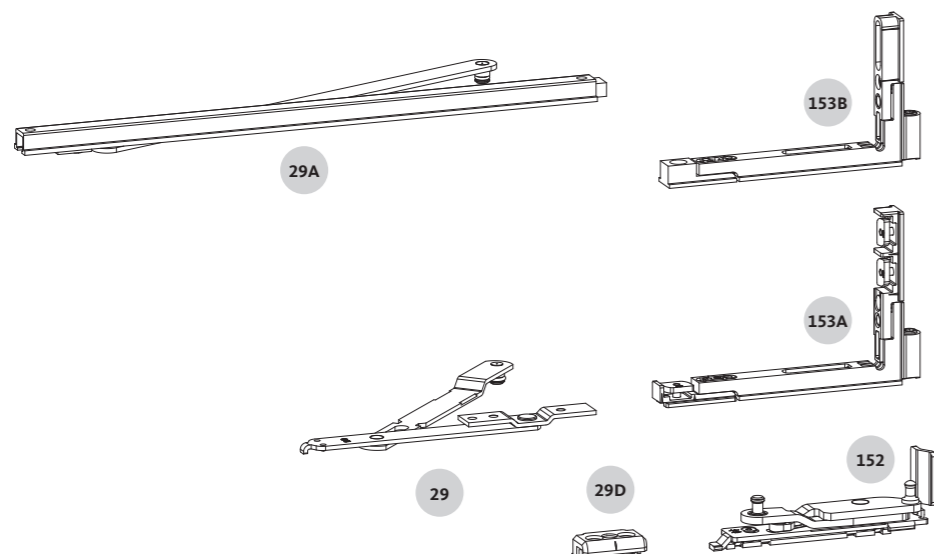
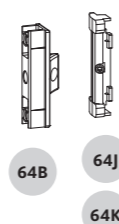
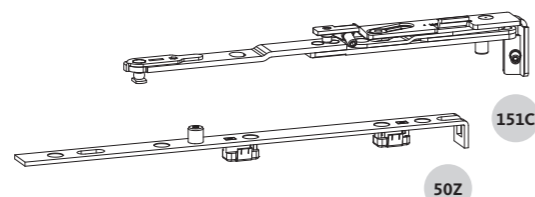
| Connecting piece | | | | |
|------------------|----------|--------------|-----|----------------|
| Item | SRW | Frame groove | PU | Order number |
| 29D | 801-1400 | 10/14 | 100 | 9-46631-10-0-1 |
| | | 14/18 | | 9-46631-14-0-1 |
| | | 12/15 | | on request |

[1] Not suitable for use in projects, e.g. in public facilities

[2] Suitable for use on balcony-doors and as solution for projects, e.g. in public facilities

UNI-JET CC – Turn-Only sash

Max. sash weight 130 kg



Tested hardware load-bearing capacity

- Max. 130 kg see application diagram 0-45927
- Installation drawing 0-45815

UNI-JET CC – Turn-Only sash

Max. sash weight 130 kg



Upper hinge-side

| Turn-Only stay-guide | | | | |
|----------------------|----------|--------|----|----------------|
| Item | SRW | Length | PU | Order number |
| 50Z | 390-1400 | 250 | 10 | 6-39075-01-0-1 |

| Stay-arm, AX 9 mm | | | | |
|-------------------|----------|--------|----|------------------|
| Item | SRW | Length | PU | Order number |
| 151C | 390-1400 | 230 | 10 | 6-35258-09-L/R-1 |

| Stay-arm, AX 13 mm | | | | |
|--------------------|----------|--------|----|------------------|
| Item | SRW | Length | PU | Order number |
| 151C | 390-1400 | 230 | 10 | 6-35258-13-L/R-1 |

Lower hinge-side

| Corner-hinge, rear-cut hardware groove, AX 9 mm | | | | |
|---|----------|--------|-----|------------------|
| Item | SRW | Length | PU | Order number |
| 153A | 390-1400 | 130 | 100 | 6-35648-09-L/R-1 |

| Corner-hinge, rear-cut hardware groove, AX 13 mm | | | | |
|--|----------|--------|-----|------------------|
| Item | SRW | Length | PU | Order number |
| 153A | 390-1400 | 130 | 100 | 6-35648-13-L/R-1 |

| Corner-hinge, flat hardware groove, AX 9 mm | | | | |
|---|----------|--------|-----|------------------|
| Item | SRW | Length | PU | Order number |
| 153B | 390-1400 | 130 | 100 | 6-34096-09-L/R-1 |

| Corner-hinge, flat hardware groove, AX 13 mm | | | | |
|--|----------|--------|-----|------------------|
| Item | SRW | Length | PU | Order number |
| 153B | 390-1400 | 130 | 100 | 6-34096-13-L/R-1 |

| Pivot-rest, AX 9 mm and 13 mm | | | |
|-------------------------------|--------------|-----|------------------|
| Item | Frame groove | PU | Order number |
| 152 | 10/14 | 100 | 6-35175-00-L/R-1 |
| | 14/18 | | 6-35175-12-L/R-1 |
| | 12/15 | | |

Centre hinge-side

| Centre-closer, adjustable, sash part | | | |
|--------------------------------------|-----|----------------|--|
| Item | PU | Order number | |
| 64B | 100 | 6-35870-00-0-1 | |

| Centre-closer, frame part, AX 9 mm | | | |
|------------------------------------|---------------------|-----|----------------|
| Item | Frame groove | PU | Order number |
| 64J | 10/14, 12/15, 14/18 | 100 | 6-35845-09-0-1 |

| Centre-closer, frame part, AX 13 mm | | | |
|-------------------------------------|---------------------|-----|----------------|
| Item | Frame groove | PU | Order number |
| 64K | 10/14, 12/15, 14/18 | 100 | 6-35845-13-0-1 |

| Turn restrictor [1] | | | | |
|---------------------|----------|--------|----|----------------|
| Item | SRW | Length | PU | Order number |
| 29 | 801-1400 | 180 | 10 | 6-35704-00-0-1 |

| Turn restrictor with brake [2] | | | | |
|--------------------------------|----------|--------|----|----------------|
| Item | SRW | Length | PU | Order number |
| 29A | 801-1400 | 325 | 10 | 6-34886-00-0-1 |

| Connecting piece | | | | |
|------------------|----------|--------------|-----|----------------|
| Item | SRW | Frame groove | PU | Order number |
| 29D | 801-1400 | 10/14 | 100 | 9-46631-10-0-1 |
| | | 14/18 | | 9-46631-14-0-1 |
| | | 12/15 | | on request |

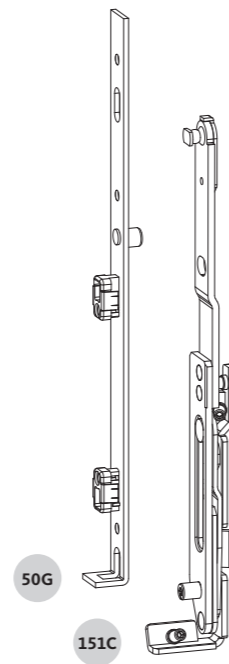
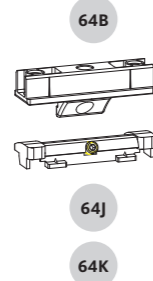
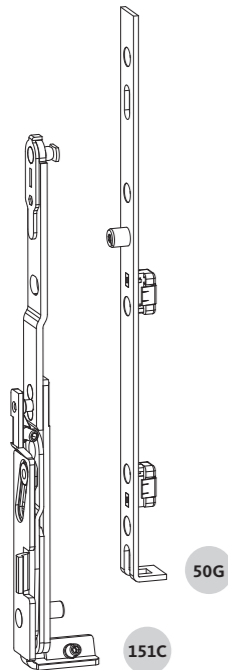
[1] Not suitable for use in projects, e.g. in public facilities

[2] Suitable for use on balcony-doors and as solution for projects, e.g. in public facilities

- Number of centre-closers for:
 SRH 721–1350 = 1 piece(s)
 SRH 1351–2100 = 2 piece(s)
 SRH 2101–2800 = 3 piece(s)
 The centre-closers must be positioned at regular intervals over the entire SRH.
- Use spacer blocks between glazing and sash rebate in area of centre-closer in order to prevent the sash profile from bending towards the glazing.
- The centre-closer is designed to ensure adequate gasket pressure and not to compensate for lacking tightness arising from a warped window unit. In such a case it is necessary to use the corresponding Tilt&Turn hardware components (with lift stop to restrict the handle rotation to 90°).

UNI-JET CC – Tilt-Only sash

Max. sash weight 80 kg



UNI-JET CC – Tilt-Only sash

Max. sash weight 80 kg



Lower hinge-side

| Turn-Only stay-guide | | | | |
|----------------------|----------|--------|----|----------------|
| Item | SRH | Length | PU | Order number |
| 50G | 435-1200 | 250 | 10 | 6-39075-01-0-1 |

| Stay-arm, AX 9 mm | | | | |
|-------------------|----------|--------|----|------------------|
| Item | SRW | Length | PU | Order number |
| 151C | 390-1400 | 230 | 10 | 6-35258-09-L/R-1 |

| Stay-arm, AX 13 mm | | | | |
|--------------------|----------|--------|----|------------------|
| Item | SRW | Length | PU | Order number |
| 151C | 390-1400 | 230 | 10 | 6-35258-13-L/R-1 |

| Centre-closer, adjustable, sash part | | | |
|--------------------------------------|--|-----|----------------|
| Item | | PU | Order number |
| 64B | | 100 | 6-35870-00-0-1 |

| Centre-closer, frame part, AX 9 mm | | | |
|------------------------------------|---------------------|-----|----------------|
| Item | Frame groove | PU | Order number |
| 64J | 10/14, 12/15, 14/18 | 100 | 6-35845-09-0-1 |

| Centre-closer, frame part, AX 13 mm | | | |
|-------------------------------------|---------------------|-----|----------------|
| Item | Frame groove | PU | Order number |
| 64K | 10/14, 12/15, 14/18 | 100 | 6-35845-13-0-1 |

Tested hardware load-bearing capacity

- Max. 80 kg
- Installation drawing 0-45959 for hinge-side and central locking system

- Number of centre-closers for:
 SRW 800-1450 = 1 piece(s)
 SRW 1451-2400 = 2 piece(s)
 The centre-closers must be positioned at regular intervals over the entire SRW.

Table of contents



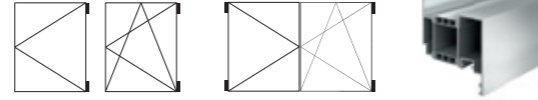
5.3 Frame components for aluminium windows

Strikers for 1- and 2-sashed windows and balcony-doors

478

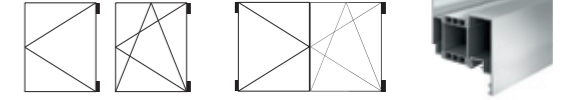
Frame components for aluminium windows

Strikers



Frame components for aluminium windows

Strikers/packer



| | | Strikers for 1- and 2-sashed windows and balcony-doors | | | | Strikers for 1- and 2-sashed windows and balcony-doors | | | | Packer | |
|--------------|--|--|--|--|--|--|---|---|--|--|-----------------------|
| | | <p>Standard striker (zamak) For clamping</p> | <p>1</p> | <p>3</p> | <p>Zamak Sec striker For clamping</p> | <p>Standard striker (zamak) for dummy-mullion profiles with 16 mm hardware groove For screwing</p> | <p>Steel Sec striker for dummy-mullion profiles with 16 mm hardware groove For screwing</p> | <p>Standard striker (zamak) for 2-sashed windows with shoot-bolts/lever-operated gears For clamping</p> | <p>Tilt-First striker (steel) for operating sequence 'tilt before turn' For screwing</p> | <p>Packer for Tilt-First striker, additional stays, bullet-catch, forced night ventilation striker, ventilation restrictor-stays</p> | |
| | | | <p>2</p> | <p>4</p> | | | | | | | <p>5</p> |
| | | <p>10/14</p> | <p>6-32628-00-0-1 (A = 2.0) 6-32628-01-0-1 (A = 1.5)</p> | <p>1 9-45219-10-0-1</p> | <p>3 6-35935-03-0-1 4 9-46863-00-0-1</p> | <p>6-32225-10-0-1</p> | <p>E-13534-12-0-1</p> | <p>6-27831-52-0-1</p> | <p>6-30961-00-0-1</p> | <p>6-32668-00-0-1</p> | <p>9-44889-19-0-1</p> |
| | | <p>14/18</p> | <p>6-32628-00-0-1 (A = 2.0) 6-32628-01-0-1 (A = 1.5)</p> | <p>1 9-45219-14-0-1 (B = 4.0) 9-45219-15-0-1 (B = 3.5)</p> | <p>3 6-35935-01-0-1 (B = 4.0) 6-35935-02-0-1 (B = 3.5)</p> | <p>6-32225-14-0-1 (B = 4.0) 6-32225-15-0-1 (B = 3.5)</p> | <p>E-13534-12-0-1</p> | <p>6-27831-52-0-1</p> | <p>6-30961-00-0-1</p> | <p>6-32668-00-0-1</p> | <p>9-44889-19-0-1</p> |
| | | <p>10/14</p> | <p>6-33278-00-0-1 (A = 2.0) 6-33278-01-0-1 (A = 1.5)</p> | <p>2 E-19550-61-0-1 (L = 43)</p> | <p>3 6-39541-00-0-1</p> | <p>-</p> | <p>E-13534-12-0-1</p> | <p>6-27831-52-0-1</p> | <p>G-19658-03-0-1</p> | <p>6-32668-00-0-1</p> | <p>E-20048-55-0-1</p> |
| | | <p>12/15</p> | <p>6-33278-00-0-1 (A = 2.0) 6-33278-01-0-1 (A = 1.5)</p> | <p>-</p> | <p>5 6-39251-12-0-1</p> | <p>-</p> | <p>E-13534-12-0-1</p> | <p>6-27831-52-0-1</p> | <p>G-19658-03-0-1</p> | <p>6-32668-00-0-1</p> | <p>E-20048-55-0-1</p> |
| <p>14/18</p> | <p>6-33278-00-0-1 (A = 2.0) 6-33278-01-0-1 (A = 1.5)</p> | <p>2 E-19550-05-0-1 (L = 43)</p> | <p>3 6-35935-05-0-1</p> | <p>-</p> | <p>E-13534-12-0-1</p> | <p>6-27831-52-0-1</p> | <p>G-19658-03-0-1</p> | <p>6-32668-00-0-1</p> | <p>E-20048-55-0-1</p> | | |

Table of contents



6 UNI-JET accessories for PVC, timber and aluminium windows

| | |
|--|-----|
| 6.1 Comfort components | |
| Table of contents | 483 |
| 6.2 Burglar-inhibiting components | |
| Table of contents | 519 |
| 6.3 Assembly tools | |
| Table of contents | 527 |
| 6.4 Window handles | |
| Table of contents | 539 |

Table of contents



6.1 Comfort components

| | |
|--|-----|
| Sash lifter with mishandling device | 484 |
| Mishandling device | 489 |
| Accessory parts for the central locking system | 490 |
| Bullet-catches | 491 |
| Night ventilation solutions | 498 |
| Ventilation restrictor-stay | 501 |
| Centre-closers | 502 |
| Window friction stays | 507 |
| Lock-type turn-brake | 509 |
| Turn blocker | 510 |
| Tilt-Only stay | 513 |
| EURO-SOLID restrictor and cleaning stay | 514 |
| Groove filler/cover faceplate | 515 |
| Hardware for coupled sashes | 516 |

Sash lifter

For PVC windows



| Sash lifter | | |
|--|-----|----------------|
| Description | PU | Order number |
| Sash lifter with mishandling device | 100 | 6-29987-00-0-1 |
| A run-up stop is required for each sash lifter | | |

Sash lifter run-up stops

For PVC windows



| Run-up stop for sash lifter – frame side | | |
|--|-----|------------------|
| Description | PU | Order number |
| | 100 | profile-specific |
| Profile-specific frame components for PVC windows see page 245 onwards | | |



| Run-up stop for sash lifter for lever-operated gear – fixed and variable handle height | | |
|--|-----|----------------|
| Description | PU | Order number |
| For ZH lever-operated gears | 100 | 9-40149-00-0-1 |
| For EURO lever-operated gears | 100 | 9-40362-00-0-1 |



| Run-up stop for sash lifter – hardware groove | | |
|---|-----|----------------|
| Description | PU | Order number |
| For 16 mm hardware groove on opposite side | 100 | 9-40477-00-0-1 |

Sash lifter run-up stops

For timber windows



| Sash lifter | | |
|--|-----|----------------|
| Description | PU | Order number |
| Sash lifter with mishandling device | 100 | 6-29987-00-0-1 |
| A run-up stop is required for each sash lifter | | |



Sash lifter run-up stops

For timber windows



| Run-up stop for sash lifter for lever-operated gear – fixed and variable handle height | | |
|---|-----|----------------|
| Description | PU | Order number |
| For ZH lever-operated gears | 100 | 9-40149-00-0-1 |
| For EURO lever-operated gears | 100 | 9-40362-00-0-1 |



| Run-up stop for sash lifter – frame side Euro-rebate and Euro-groove | | |
|---|-----|----------------|
| Description | PU | Order number |
| Euro-rebate | | |
| 18 x 8 | 100 | 9-40067-00-0-1 |
| 20 x 8 | 100 | 9-40444-00-0-1 |
| 24 x 8 | 100 | 9-42684-00-0-1 |
| 30 x 8 | 100 | 9-42684-30-0-1 |
| Euro-groove | | |
| 11/8 x 4 | 100 | 9-42684-11-0-1 |
| 7/8 x 4 | 100 | 9-40443-00-0-1 |



| Run-up stop for sash lifter for Euro-groove lever-operated gear – variable handle height | | |
|---|-----|----------------|
| Description | PU | Order number |
| Euro-groove 7/8 x 4 | 100 | 9-40500-00-0-1 |



| Run-up stop for sash lifter – frame side Clearance 4 mm | | |
|--|-----|----------------|
| Description | PU | Order number |
| 9 mm axis | 100 | 9-40244-00-0-1 |
| 13 mm axis | 100 | 9-45866-00-0-1 |



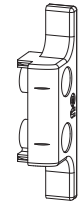
| Run-up stop for sash lifter – hardware groove | | |
|---|-----|----------------|
| Description | PU | Order number |
| For 16 mm hardware groove on opposite side | 100 | 9-40477-00-0-1 |

Sash lifter run-up stops

For aluminium windows



| Sash lifter | | |
|--|-----|----------------|
| Description | PU | Order number |
| Sash lifter with mishandling device | 100 | 6-29987-00-0-1 |
| A run-up stop is required for each sash lifter | | |



| Run-up stop for sash lifter – frame side | | | |
|--|-----------------|-----|----------------|
| Description | | PU | Order number |
| Frame groove | Groove position | | |
| 10/14 | 9 | 100 | 9-41775-00-0-1 |
| 14/18 | 9 | 100 | 9-41776-00-0-1 |
| 10/14 | 13 | 100 | E-21902-61-0-1 |
| 12/15 | 13 | 100 | 9-50419-00-0-1 |



| Run-up stop for sash lifter for lever-operated gear – fixed and variable handle height | | |
|---|-----|----------------|
| Description | PU | Order number |
| For ZH lever-operated gears | 100 | 9-40149-00-0-1 |



| Run-up stop for sash lifter – hardware groove | | |
|---|-----|----------------|
| Description | PU | Order number |
| For 16 mm hardware groove on opposite side | 100 | 9-40477-00-0-1 |

Mishandling device

For PVC, timber and aluminium windows



| Mishandling device with trigger | | |
|---------------------------------|-----|------------------|
| Description | PU | Order number |
| 9 mm axis | 100 | 6-31657-09-L/R-1 |
| 13 mm axis | 100 | 6-31657-13-L/R-1 |

Accessory parts for the central locking system

For PVC, timber and aluminium windows



| Anti-slam device | | |
|-------------------------------------|-----|----------------|
| Description | PU | Order number |
| For reducing the tilt-opening width | 100 | 9-38688-33-0-1 |



| Travel restrictor 90° | | |
|---|-----|----------------|
| Description | PU | Order number |
| A Tilt&Turn window can be converted into a Turn-Only window by installing the travel restrictor | 100 | 9-33432-00-0-1 |



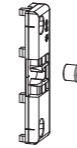
| Run-up block | | |
|------------------------------------|-----|----------------|
| Description | PU | Order number |
| For centre-locks and corner-drives | 100 | 9-41796-00-0-1 |



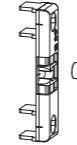
| Rod guide | | |
|--|-----|----------------|
| Description | PU | Order number |
| When cropping the component by less than 150 mm or when the notches are still visible after cropping, position at least 65 mm before the faceplate end | 100 | 8-00805-00-0-0 |

Bullet-catches

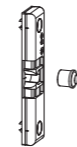
For PVC windows



| Bullet-catch | | |
|--|-----|------------------|
| Description | PU | Order number |
| 1 bullet-catch 1 bullet-catch roller-cam | 100 | profile-specific |
| Profile-specific frame components for PVC windows see page 247 onwards | | |



| Bullet-catch for 16 mm hardware groove on opposite side | | |
|--|-----|----------------|
| Description | PU | Order number |
| 1 bullet-catch 1 bullet-catch roller-cam | 100 | K-17228-00-0-1 |



| Bullet-catch for ZH lever-operated gears | | |
|---|-----|----------------|
| Description | PU | Order number |
| 1 bullet-catch 1 bullet-catch roller-cam | 100 | K-17229-00-0-1 |



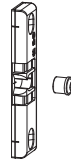
| Profile-specific packer for bullet-catch | | |
|---|-----|----------------|
| | PU | Order number |
| | 100 | 9-44889-□□-0-1 |

□□ = Size depending on profile system – see table on page 260

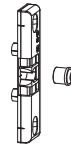
■ Appropriate bullet-catch K-17044-00-0-1

Bullet-catches

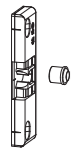
For timber windows



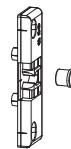
| Bullet-catch Euro-rebate 18 x 8 and 20 x 8, AX 9 | | |
|---|-----|----------------|
| Description | PU | Order number |
| 1 bullet-catch 1 bullet-catch roller-cam | 100 | K-17044-00-0-1 |



| Bullet-catch with positioning pin Euro-rebate 18 x 8 and 20 x 8, AX 9 | | |
|--|-----|----------------|
| Description | PU | Order number |
| 1 bullet-catch with positioning pin 1 bullet-catch roller-cam | 100 | K-17230-00-0-1 |



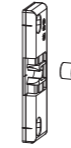
| Bullet-catch Euro-rebate 24 x 8, AX 13 | | |
|---|-----|----------------|
| Description | PU | Order number |
| 1 bullet-catch 1 bullet-catch roller-cam | 100 | K-17119-00-0-1 |



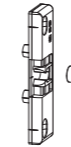
| Bullet-catch with positioning pin Euro-rebate 24 x 8, AX 13 | | |
|--|-----|----------------|
| Description | PU | Order number |
| 1 bullet-catch with positioning pin 1 bullet-catch roller-cam | 100 | K-17120-00-0-1 |

Bullet-catches

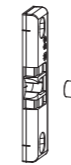
For timber windows



| Bullet-catch Euro-rebate 30 x 8, AX 13 | | |
|---|-----|----------------|
| Description | PU | Order number |
| 1 bullet-catch 1 bullet-catch roller-cam | 100 | K-17973-00-0-1 |



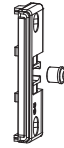
| Bullet-catch with positioning pin Euro-rebate 30 x 8, AX 13 | | |
|--|-----|----------------|
| Description | PU | Order number |
| 1 bullet-catch with positioning pin 1 bullet-catch roller-cam | 100 | K-17974-00-0-1 |



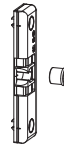
| Bullet-catch Euro-groove 7/8 x 4 | | |
|---|-----|----------------|
| Description | PU | Order number |
| 1 bullet-catch 1 bullet-catch roller-cam | 100 | K-17044-00-0-1 |
| Packer (not depicted) | 100 | 9-30079-00-0-1 |

Bullet-catches

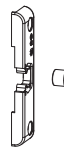
For timber windows



| Bullet-catch Euro-groove 11/8 x 4 | | |
|---|-----|----------------|
| Description | PU | Order number |
| 1 bullet-catch 1 bullet-catch roller-cam | 100 | K-18048-00-0-1 |



| Bullet-catch ZH lever-operated gear | | |
|---|-----|----------------|
| Description | PU | Order number |
| 1 bullet-catch 1 bullet-catch roller-cam | 100 | K-17229-00-0-1 |



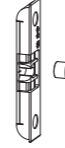
| Bullet-catch Euro lever-operated gear | | |
|--|-----|----------------|
| Description | PU | Order number |
| Bullet-catches | 100 | 6-31856-00-0-1 |
| Bullet-catch roller-cam | 100 | 8-00756-00-0-1 |



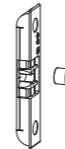
| Bullet-catch for 16 mm hardware groove on opposite side | | |
|--|-----|----------------|
| Description | PU | Order number |
| 1 bullet-catch 1 bullet-catch roller-cam | 100 | K-17228-00-0-1 |

Bullet-catches

For timber windows



| Bullet-catch Clearance 4, AX 9 | | |
|---|-----|----------------|
| Description | PU | Order number |
| 1 bullet-catch 1 bullet-catch roller-cam | 100 | K-17068-00-0-1 |



| Bullet-catch Clearance 4, AX 13 | | |
|---|-----|----------------|
| Description | PU | Order number |
| 1 bullet-catch 1 bullet-catch roller-cam | 100 | K-17991-00-0-1 |



| Bullet-catch roller-cam | | |
|---|-----|----------------|
| Description | PU | Order number |
| standard | 100 | 8-00756-00-0-1 |
| For Tilt&Turn drive-gear, backset 25-50 mm, FHH [1] | 100 | 9-45011-00-0-1 |

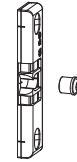
[1] in conjunction with bullet-catch 6-32819-00-0-1



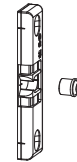
| Bullet-catch roller-cam | | |
|-------------------------|-----|----------------|
| Description | PU | Order number |
| With plate | 100 | G-11952-00-0-1 |

Bullet-catches

For aluminium windows



| Bullet-catch Axis 9 | | |
|---|-----|----------------|
| Description | PU | Order number |
| 1 bullet-catch 1 bullet-catch roller-cam | 100 | K-17044-00-0-1 |



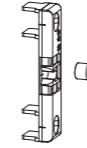
| Bullet-catch Axis 13 | | |
|---|-----|----------------|
| Description | PU | Order number |
| 1 bullet-catch 1 bullet-catch roller-cam | 100 | K-17117-00-0-1 |



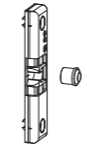
| Packer for bullet-catch | | |
|----------------------------|-----|----------------|
| Description | PU | Order number |
| Axis 9 | 100 | 9-44889-19-0-1 |
| Axis 13 | 100 | E-20048-55-0-1 |

Bullet-catches

For aluminium windows



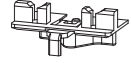
| Bullet-catch for 16 mm hardware groove on opposite side | | |
|--|-----|----------------|
| Description | PU | Order number |
| 1 bullet-catch 1 bullet-catch roller-cam | 100 | K-17228-00-0-1 |



| Bullet-catch ZH lever-operated gear | | |
|---|-----|----------------|
| Description | PU | Order number |
| 1 bullet-catch 1 bullet-catch roller-cam | 100 | K-17229-00-0-1 |

Night ventilation solutions

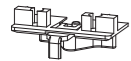
For PVC, timber and aluminium windows



| Night ventilation strikers | | |
|----------------------------|-----|----------------|
| Description | PU | Order number |
| for PVC windows | | |
| Axis 9 | 100 | 6-35620-00-0-1 |
| Axis 13 | 100 | 6-37355-01-0-1 |
| Profine Innonova 70 | 100 | 6-34851-00-0-1 |
| Profine Inoutic | 100 | 6-37146-00-0-1 |



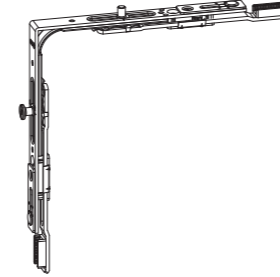
| Night ventilation strikers | | |
|--|-----|----------------|
| Description | PU | Order number |
| For timber windows | | |
| Euro-rebate 18 x 8 and 20 x 8 | 100 | 6-34844-00-0-1 |
| Euro-rebate 24 x 8 | 100 | 6-34846-00-0-1 |
| In conjunction with standard corner-drive 6-32021-00-0-1 / 12 mm clearance Installation drawing 0-45838 | | |



| Night ventilation strikers | | | |
|------------------------------|---------|-----|----------------|
| Description | | PU | Order number |
| For aluminium windows | | | |
| Frame groove 10/14 | | | |
| Frame groove 12/15 | Axis 9 | 100 | G-24575-00-0-1 |
| Frame groove 14/18 | | | |
| Frame groove 14/18 | Axis 13 | 100 | G-24575-00-0-1 |

Night ventilation solutions

For PVC, timber and aluminium windows



| Corner-drive for forced night ventilation | | |
|---|----|------------------|
| | PU | Order number |
| | 10 | 6-32087-00-L/R-1 |
| Installation drawing 0-40458 | | |



| Striker for forced night ventilation | | |
|--------------------------------------|-----|------------------|
| | PU | Order number |
| | 100 | G-13261-00-L/R-1 |



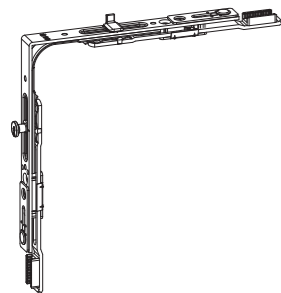
| Profile-specific packer – PVC windows for forced night ventilation striker | | |
|--|-----|----------------|
| | PU | Order number |
| | 100 | 9-44889-□□-0-1 |
| □□ = Size depending on profile system – see table on page 260 | | |



| Packer – aluminium windows for forced night ventilation striker | | |
|---|-----|----------------|
| Description | PU | Order number |
| Axis 9 | 100 | 9-44889-19-0-1 |
| Axis 13 | 100 | E-20048-55-0-1 |

Night ventilation solutions

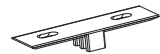
For PVC and timber windows



Corner-drive For multi-level night ventilation

| Description | PU | Order number |
|-------------|----|------------------|
| 9 mm axis | 10 | 6-33579-00-L/R-1 |
| 13 mm axis | 10 | 6-33580-00-L/R-1 |

Installation drawing 0-44539

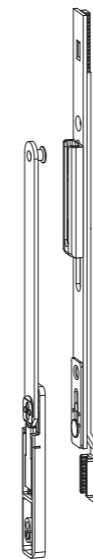


Striker for timber windows For multi-level night ventilation

| Description | PU | Order number |
|---------------------|-----|----------------|
| Euro-rebate 18 x 8 | 100 | 9-43475-00-0-1 |
| Euro-rebate 20 x 8 | 100 | 9-43476-00-0-1 |
| Euro-rebate 24 x 8 | 100 | 9-43478-00-0-1 |
| Euro-groove 7/8 x 4 | 100 | 9-43538-00-0-1 |

Ventilation restrictor-stay

For PVC, timber and aluminium windows



Ventilation restrictor-stay

| Description | PU | Order number |
|-------------|----|----------------|
| | 1 | K-19087-00-0-1 |

- Installation drawing 0-47349 for vertical window handle installation
- Installation drawing 0-47348 for horizontal window handle installation



Packer for aluminium windows for ventilation restrictor-stays

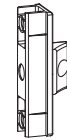
| Description | PU | Order number |
|-------------|-----|----------------|
| Axis 9 | 100 | 9-44889-19-0-1 |
| Axis 13 | 100 | E-20048-55-0-1 |

Centre-closers

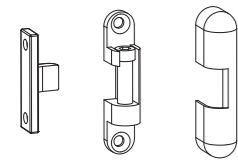
For PVC windows



| Centre-closer, concealed, not adjustable, sash part | | |
|--|-----|----------------|
| Description | PU | Order number |
| With hardware groove | 100 | 9-40564-00-0-1 |
| Profile-specific frame component see from page 247 onwards | | |



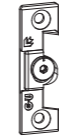
| Centre-closer, concealed, adjustable, sash part | | |
|--|-----|----------------|
| Description | PU | Order number |
| With hardware groove | 100 | 6-34229-00-0-1 |
| Profile-specific frame component see from page 247 onwards | | |



| Face-fixed centre-closer with cover cap | | |
|---|-----|----------------|
| Sash overlap bevel | PU | Order number |
| 0° | 100 | K-14239-01-0-□ |
| 6° | 100 | K-14239-02-0-□ |
| 15° | 100 | K-14239-03-0-□ |
| 120° | 100 | K-14239-04-0-□ |
| □ = colour (5 = brown, 7 = white) | | |
| Size depending on sash overlap | | |

Centre-closers

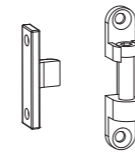
For timber windows



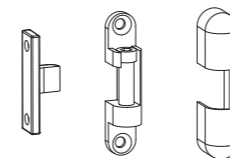
| Centre-closer, concealed, adjustable, sash part Clearance 12 mm | | |
|--|-----|----------------|
| Description | PU | Order number |
| Without hardware groove | 100 | 6-28705-00-0-1 |



| Centre-closer, concealed, frame part | | |
|--------------------------------------|-----|----------------|
| Description | PU | Order number |
| Clearance 4 mm | 100 | 9-41504-00-0-1 |
| Euro-rebate 18 x 8 | 100 | 9-40872-00-0-1 |
| Euro-rebate 20 x 8 | 100 | 9-40872-20-0-1 |
| Euro-rebate 24 x 8 | 100 | 9-41850-00-0-1 |
| Euro-rebate 30 x 8 | 100 | 9-41850-30-0-1 |
| Euro-groove 7/8 x 4 | 100 | 9-40873-00-0-1 |
| Euro-rebate 11/8 x 4 | 100 | 9-41850-11-0-1 |



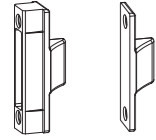
| Face-fixed centre-closer | | |
|--------------------------|-----|----------------|
| Description | PU | Order number |
| UNI-JET M6/12 | 100 | K-14241-01-0-1 |
| UNI-JET M20/12 | 100 | K-14241-01-0-1 |
| UNI-JET M6/4 | 100 | K-14241-01-0-1 |



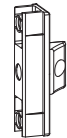
| Face-fixed centre-closer with cover cap | | |
|---|-----|----------------|
| Description | PU | Order number |
| UNI-JET M6/12 | 100 | K-14239-01-0-□ |
| UNI-JET M20/12 | 100 | K-14239-01-0-□ |
| UNI-JET M6/4 | 100 | K-14239-01-0-□ |
| □ = colour (5 = brown, 7 = white) | | |
| Size depending on sash overlap | | |

Centre-closers

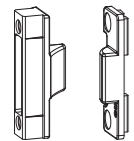
For timber windows



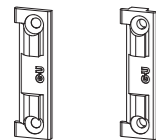
| Centre-closer, concealed, not adjustable, sash part 4 and 12 mm clearance | | |
|--|-----|----------------|
| Description | PU | Order number |
| With hardware groove | 100 | 9-40564-00-0-1 |
| Without hardware groove | 100 | 9-40874-00-0-1 |



| Centre-closer, concealed, adjustable, sash part Clearance 4 and 12 mm | | |
|--|-----|----------------|
| Description | PU | Order number |
| With hardware groove | 100 | 6-34229-00-0-1 |



| Centre-closer, concealed, sash part and frame part | | |
|--|-----|----------------|
| Description | PU | Order number |
| Clearance 4 mm | | |
| With hardware groove | 100 | K-16522-00-0-1 |
| Without hardware groove | 100 | K-16521-00-0-1 |
| Clearance 12 mm | | |
| Euro-rebate 18 x 8 | 100 | K-16511-00-0-1 |
| Euro-rebate 24 x 8 | 100 | K-16858-00-0-1 |
| Euro-groove 7/8 x 4 mm | 100 | K-16512-00-0-1 |



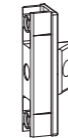
| Centre-closer, concealed, frame part Clearance 12 mm | | |
|---|-----|----------------|
| Description | PU | Order number |
| Euro-rebate 18 x 8 | 100 | 9-37618-00-0-1 |
| Euro-rebate 20 x 8 | 100 | 9-37618-20-0-1 |
| Euro-groove 7/8 x 4 | 100 | 9-37619-00-0-1 |

Centre-closers

For aluminium windows



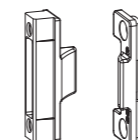
| Centre-closer, concealed, not adjustable, sash part | | |
|---|-----|----------------|
| Description | PU | Order number |
| With hardware groove | 100 | 9-40564-00-0-1 |



| Centre-closer, concealed, adjustable, sash part | | |
|---|-----|----------------|
| Description | PU | Order number |
| With hardware groove | 100 | 6-34229-00-0-1 |



| Centre-closer, concealed, frame part | | | |
|--------------------------------------|---------|----------------|----------------|
| Description | PU | Order number | |
| 9 mm axis | | | |
| Frame groove 10/14 | 100 | 9-40871-09-0-1 | |
| Frame groove 14/18 | B = 4.0 | 100 | 9-40871-08-0-1 |
| | B = 3.5 | 100 | 9-40871-07-0-1 |
| 13 mm axis | | | |
| Frame groove 10/14 | 100 | 9-40565-13-0-1 | |
| Frame groove 14/18 | B = 4.0 | 100 | 9-40565-14-0-1 |
| | B = 3.5 | 100 | 9-40565-15-0-1 |



| Centre-closer, concealed, sash part and frame part | | | |
|--|---------|--------------|----------------|
| Description | PU | Order number | |
| 9 mm axis | | | |
| Frame groove 10/14 | B = 3.5 | 100 | K-17677-00-0-1 |
| Frame groove 14/18 | B = 4.0 | 100 | K-16599-00-0-1 |
| | B = 3.5 | 100 | K-16598-00-0-1 |

Centre-closers

For aluminium windows



| Centre-closer, concealed, adjustable, sash part | | |
|---|-----|----------------|
| Description | PU | Order number |
| 9 mm axis | | |
| Frame groove 14/18 | 100 | 6-29211-00-0-1 |



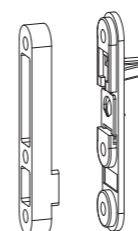
| Centre-closer, concealed, frame part | | |
|--------------------------------------|-----|----------------|
| Description | PU | Order number |
| 9 mm axis | | |
| Frame groove 14/18 | 100 | 9-41959-00-0-1 |

Friction stays for Tilt&Turn/Turn-Only sashes

For PVC, timber and aluminium windows



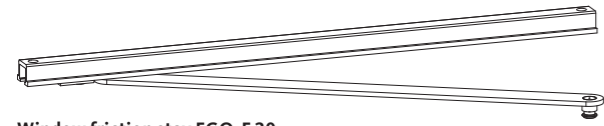
| Window friction stays | | | |
|---|-----------|----|----------------|
| Description | SRW | PU | Order number |
| EGO-B | | | |
| With turn-brake from 5° and opening restriction at 90°, for Tilt&Turn and Turn-Only sashes | 500-750 | 20 | 6-28835-01-0-8 |
| | up to 751 | 20 | 6-28835-00-0-8 |
| EGO-FL | | | |
| 90° opening restriction, with freewheel up to 85° when opening and general freewheel when closing the window sash, for Tilt&Turn and Turn-Only sashes | 500-750 | 20 | 6-28730-01-0-8 |
| | up to 751 | 20 | 6-28730-00-0-8 |
| Installation drawing 0-43471 | | | |



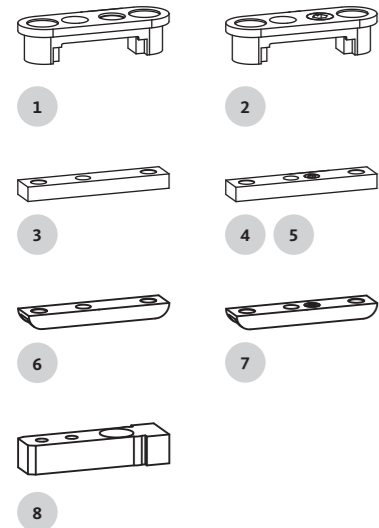
| Set of accessories for window friction stays EGO-B and EGO-FL | | |
|--|-----|----------------|
| Description | PU | Order number |
| Set of accessories for timber windows | 20 | K-14681-00-0-1 |
| Packer for Euro-groove 7/8 x 4, axis 9 | 100 | 9-38819-00-0-1 |
| Packer for Euro-groove 11/8 x 4, axis 13 | | |
| For PVC windows, depending on profile system | | |
| Aluplast Ideal 2000 | 20 | K-14682-00-0-1 |
| Aluplast Ideal 4000, 5000 und 8000 | 20 | K-14683-00-0-1 |
| Deceuninck 2000 and 5000 | 20 | K-14687-00-0-1 |
| Gealan S 3000 and S 8000 | 20 | K-14683-00-0-1 |
| Profine, EuroFutur Elegance and Classic | 20 | K-14683-00-0-1 |
| Profine, KBE AD | 20 | K-14683-00-0-1 |
| Rehau Thermo Design 70 | 20 | K-14682-00-0-1 |
| Schüca Corona CT 70 | 20 | K-14682-00-0-1 |
| VEKA Softline AD and MD | 20 | K-14682-00-0-1 |
| For aluminium windows | | |
| Frame groove 10/14, 12/15, 14/18 | 20 | K-14683-00-0-1 |

Window friction stay

For timber windows



Window friction stay EGO-F 20
(included in delivery with the items 1-7)



EGO-F 20

Window friction stay for timber windows

| Item | Description | Length | PU | Order number |
|------|---|--------|----|----------------|
| 1 | Keeper, milled-in from above | 325 | 20 | 6-23054-00-0-1 |
| 2 | Lockable keeper, milled-in from above | 325 | 20 | 6-23055-00-0-1 |
| 3 | Keeper, screw-on version | 325 | 20 | 6-23056-00-0-1 |
| 4 | Lockable keeper for screwing | 325 | 20 | 6-23057-00-0-1 |
| 5 | Lockable keeper for screwing | 265 | 20 | 6-29390-00-0-1 |
| 6 | Keeper, milled-in from the front | 325 | 20 | 6-23058-00-0-1 |
| 7 | Lockable keeper, milled-in from the front | 325 | 20 | 6-23059-00-0-1 |
| 8 | Buffer for EGO-F 20 | - | 20 | 9-45234-00-0-6 |

Installation drawing 0-35140

Please note:

- The window friction stay EGO-F 20 is included in delivery with the items **1** to **7**.
- The indicated length refers to the aluminium rail of the friction stay.



Lock-type turn-brake

For PVC and timber windows



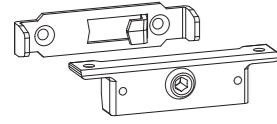
Lock-type turn-brake

| | PU | Order number |
|--|----|----------------|
| | 1 | 6-39469-01-0-1 |

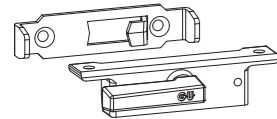
Installation drawing 0-47771 for PVC windows (Tilt&Turn/Turn-Only)
Installation drawing 0-47772 for timber windows (Tilt&Turn/Turn-Only)

Turn blockers

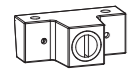
For PVC and timber windows



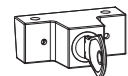
| Turn blocker, face-fixed | | |
|--|----|----------------|
| Description | PU | Order number |
| Turn blocker without key | 10 | 8-00823-00-0-□ |
| Key (loose) | 10 | 8-00821-00-0-1 |
| □ = colour (1 = silver/EV1, 7 = white) | | |



| Turn blocker, face-fixed | | |
|--------------------------------|----|----------------|
| Description | PU | Order number |
| With permanently installed key | 10 | 8-00824-00-0-1 |



| Turn blocker, face-fixed | | |
|--|----|----------------|
| Description | PU | Order number |
| Turn blocker without key | 10 | K-13842-00-0-□ |
| Key (extra) | 10 | 9-33585-00-0-0 |
| □ = colour (1 = silver/EV1, 7 = white) | | |

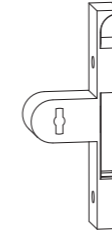


| Turn blocker, face-fixed | | |
|--|----|----------------|
| Description | PU | Order number |
| With key | 10 | K-13841-00-0-□ |
| □ = colour (1 = silver/EV1, 7 = white) | | |

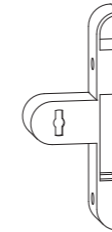
Note: not all turn blockers can be used or are approved as an anti-fall guard!

Turn blockers

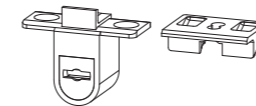
For PVC and timber windows



| Turn blocker, concealed | | |
|---|----|----------------|
| For gear connector and drive-gear with side-tilter, 12 mm clearance | | |
| Description | PU | Order number |
| For side-tilting function | 10 | 8-00772-00-0-1 |
| Installation drawing 0-38548 | | |



| Turn blocker, concealed | | |
|--|----|----------------|
| For gear connector and drive-gear with side-tilter, 4 mm clearance | | |
| Description | PU | Order number |
| For side-tilting function | 10 | 8-00770-00-0-1 |
| Installation drawing 0-38548 | | |



| Turn blocker, concealed | | |
|-------------------------------------|----|----------------|
| Clearance 4 mm and 12 mm | | |
| Description | PU | Order number |
| Installation horizontally at bottom | 10 | K-18162-00-0-1 |
| Installation drawing 0-45884 | | |

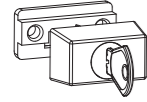


| Key | | |
|---------------------------------|----|----------------|
| Description | PU | Order number |
| For all concealed turn blockers | 10 | 8-00771-00-0-1 |

Note: not all turn blockers can be used or are approved as an anti-fall guard!

Turn blockers

For aluminium windows

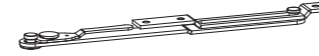


Turn blocker, face-fixed
for overlap thicknesses 7.5–8.5 mm

| Description | PU | Order number |
|--|----|----------------|
| With key | 10 | K-12968-00-0-□ |
| □ = colour (1 = silver/EV1, 7 = white) | | |

Tilt-Only stays

For PVC, timber and aluminium windows



Tilt-Only stay

| Description | PU | Order number |
|-------------|----|----------------|
| | 10 | U-76500-00-0-1 |

Installation drawing for PVC windows 0-46795
Installation drawing for timber windows 0-46794
Installation drawing 0-46928 for aluminium windows

- Tilt-opening width 190 mm
- 2 Tilt-Only stays must be used from SRH 1201 mm
- 2 Tilt-Only stays must be used with sash weights > 40 kg



Packer for Tilt-Only stay
For aluminium windows

| Description | PU | Order number |
|--|----|----------------|
| Frame groove 10/14, 12/15, 14/18 | 10 | 9-47202-00-0-1 |
| Installation drawing 0-46928 for aluminium windows | | |

- 2 packers must be used for each Tilt-Only stay



Tilt-Only stay
For PVC and timber windows

| Description | PU | Order number |
|--------------------|----|----------------|
| For PVC windows | 10 | G-18560-00-0-1 |
| For timber windows | 10 | G-18560-00-0-1 |

- Tilt-opening width 150 mm
- 2 Tilt-Only stays must be used from SRH 1201 mm
- 2 Tilt-Only stays must be used with sash weights > 40 kg
- Use profile-specific packers for PVC systems – see table on page 260

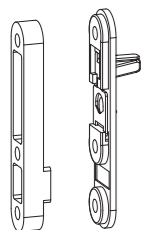
Note: not all turn blockers can be used or are approved as an anti-fall guard!

EURO-SOLID restrictor and cleaning stay

For PVC, timber and aluminium windows



| EURO-SOLID Restrictor and cleaning stay | | | |
|---|---------------------------------|-----|----------------|
| SH | Opening angle Catch position | PU | Order number |
| 270-350 | approx. 30° | 100 | 6-27995-01-0-1 |
| 351-500 | approx. 40–45° | 100 | 6-27995-02-0-1 |
| 501-800 | approx. 25–30° | 100 | 6-27995-03-0-1 |
| 801-1500 | approx. 15–20° | 100 | 6-27995-04-0-1 |
| Drilling jig for EURO-SOLID | | 1 | K-14788-00-0-0 |
| Installation drawing for PVC windows 0-43277 Installation drawing for timber windows 0-43214 Installation drawing for aluminium windows 0-43278 | | | |



| EURO-SOLID accessories set | | |
|---|-----|----------------|
| Description | PU | Order number |
| For timber windows | | |
| Set of accessories for timber windows | 20 | K-14681-00-0-1 |
| Packer for Euro-groove 7/8 x 4, axis 9 | 100 | 9-38819-00-0-1 |
| Packer for Euro-groove 11/8 x 4, axis 13 | | |
| For PVC windows, depending on profile system | | |
| Aluplast Ideal 2000 | 20 | K-14682-00-0-1 |
| Aluplast Ideal 4000, 5000 und 8000 | 20 | K-14683-00-0-1 |
| Deceuninck 2000 and 5000 | 20 | K-14687-00-0-1 |
| Gealan S 3000 and S 8000 | 20 | K-14683-00-0-1 |
| Profine, EuroFutur Elegance and Classic | 20 | K-14683-00-0-1 |
| Profine, KBE AD | 20 | K-14683-00-0-1 |
| Rehau Thermo Design 70 | 20 | K-14682-00-0-1 |
| Schüca Corona CT 70 | 20 | K-14682-00-0-1 |
| VEKA Softline AD and MD | 20 | K-14682-00-0-1 |
| For aluminium windows | | |
| Frame groove 10/14, 12/15, 14/18 | 20 | K-14683-00-0-1 |

Groove filler/cover faceplate

For PVC and timber windows



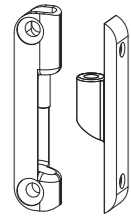
| Groove filler made of plastic for 16 mm sash hardware groove | | |
|---|----|----------------|
| Description | PU | Order number |
| Length: 200 m on roll | 1 | H-00786-00-0-□ |
| □ = colour (1 = grey, 5 = brown, 7 = white) | | |



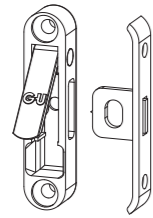
| Metal cover faceplate | | |
|-----------------------|----|----------------|
| Description | PU | Order number |
| Length: 1100 mm | 1 | 9-29198-00-0-1 |

Hardware for coupled sashes

For Tilt&Turn and Turn-Only timber windows



TIPP 820



TOPP 830

Hardware for coupled sashes

| Description | PU | Order number |
|--------------------------------------|-----|----------------|
| TIPP 820 hinge for coupled sashes | 100 | 6-23591-90-0-1 |
| TOPP 830 coupling for coupled sashes | 100 | 6-23613-90-0-1 |

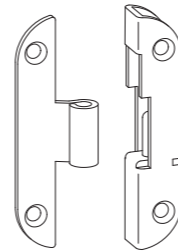
Installation drawing 0-38761

- For windows with gasket on the frame
- Sash distance 0 mm
- Max. weight of exterior sash 50 kg

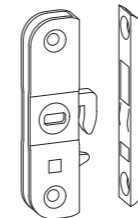


Hardware for coupled sashes

For Tilt&Turn and Turn-Only timber windows



TIPP 37

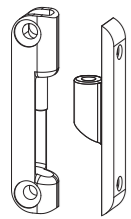


TOPP 47

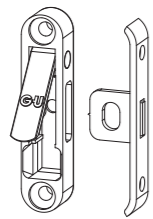
Hardware for coupled sashes

| Description | PU | Order number |
|-------------------------------------|-----|----------------|
| TIPP 37 hinge for coupled sashes | 100 | 5-02787-00-0-1 |
| TOPP 47 coupling for coupled sashes | 100 | 5-04754-00-0-1 |
| Key for TOPP 47 | 1 | 9-01707-00-0-1 |

Installation drawing 0-35303 for TIPP 37/TOPP 47



TIPP 821



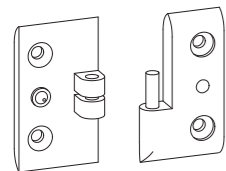
TOPP 831

Hardware for coupled sashes

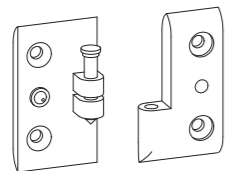
| Description | PU | Order number |
|--------------------------------------|-----|----------------|
| TIPP 821 hinge for coupled sashes | 100 | 6-23591-01-0-1 |
| TOPP 831 coupling for coupled sashes | 100 | 6-23613-01-0-1 |

Installation drawing 0-38761

- For windows with gasket on the frame
- Sash distance 1 mm
- Max. weight of exterior sash 50 kg



TIPP 851



TOPP 861

Hardware for coupled sashes

| Description | PU | Order number |
|--------------------------------------|-----|----------------|
| TIPP 851 hinge for coupled sashes | 100 | 6-23708-00-0-1 |
| TOPP 861 coupling for coupled sashes | 100 | 6-23711-00-0-1 |

Installation drawing 0-38762

- For windows with gasket on the sash
- Sash distance 1 mm
- Max. weight of exterior sash 50 kg

Table of contents



6.2 Burglar-inhibiting components

Security hardware

For PVC, timber and aluminium windows 520

Accessories for signalling systems

VdS class B 523

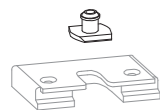
VdS class C 524

For control of extractor hoods and thermostat controllers 525

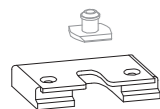
Packers for set of strikers 526

Security hardware

For PVC, timber and aluminium windows



| Passive anti-jemmy device | | |
|--|-----|----------------|
| Mushroom cam for mushroom cam striker depending on clearance | | |
| Clearance – sash part | PU | Order number |
| 12 mm | 100 | 9-32103-00-0-1 |
| 13 mm | 100 | 9-32102-00-0-1 |



| Mushroom cam striker | | |
|-----------------------------|-----|----------------|
| Description | PU | Order number |
| Frame part for mushroom cam | 100 | 6-25000-00-0-1 |

Security hardware

For PVC, timber and aluminium windows



| Anti-drill plate for RC classes | | |
|---------------------------------|-----|----------------|
| Description | PU | Order number |
| For gear 7.5 BS | 100 | 9-44868-00-0-0 |



| Anti-drill plate for RC classes | | |
|---------------------------------|-----|----------------|
| Description | PU | Order number |
| For drive-gear 15 BS | 100 | 9-41749-00-0-0 |



| Anti-drill plate for RC classes | | |
|--|-----|----------------|
| Description | PU | Order number |
| For backset reducing drive-gear (minus 5) and drive-gear BS 25–50 mm | 100 | 6-39081-01-0-0 |



| Anti-drill plate for RC classes | | |
|--|-----|----------------|
| Description | PU | Order number |
| For drive-gear 15 BS with integrated centre-fixing | 100 | 9-50465-01-0-0 |

Security hardware

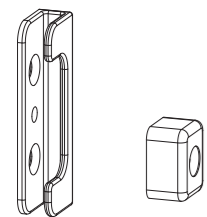
For PVC, timber and aluminium windows



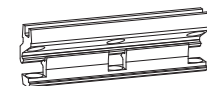
| Clearance packer | | |
|---|-----|----------------|
| Description | PU | Order number |
| | 100 | 9-43219-00-0-1 |
| Installation drawing for PVC/aluminium windows 0-44908 Installation drawing for timber windows 0-44917 | | |



| Clearance packer | | |
|---|-----|----------------|
| Description | PU | Order number |
| RC security device according to SN/EN 1627-1630 for 2-sashed dummy-mullion windows, prevents hardware coupling points from being pried open | 100 | 9-49366-00-0-1 |
| Installation drawing 0-47415 | | |



| Security clasp set for lever-operated gear | | |
|--|-----|----------------|
| Description | PU | Order number |
| 2 clearance packers 1 safety device | 100 | K-17080-00-0-1 |



| Hook-locking device for Tilt-Only windows For aluminium windows | | |
|--|-----|----------------|
| Description | PU | Order number |
| Frame groove 10/14, axis 9 | 100 | K-18987-01-0-1 |

Accessories for signalling systems

VdS class B



| Corner-drive with magnetic cams | | |
|---|----|----------------|
| Description | PU | Order number |
| 1 mushroom cam, 1 magnetic cam Locking and opening monitoring VdS class B Locking monitoring VdS class C Locking monitoring with change-over contact | 10 | 6-32093-00-0-1 |



| Extension 131 with magnetic cam | | |
|---|----|----------------|
| Description | PU | Order number |
| 1 magnetic cam Locking and opening monitoring VdS class B Locking monitoring VdS class C Locking monitoring with change-over contact | 10 | 6-33822-00-0-1 |



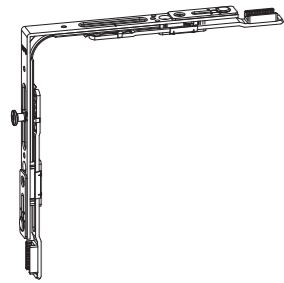
| Extension 500 with magnetic cam | | |
|---|----|----------------|
| Description | PU | Order number |
| 1 magnetic cam Locking and opening monitoring VdS class B Locking monitoring VdS class C Locking monitoring with change-over contact | 10 | 6-32826-00-0-1 |
| Extension 500 – can be cropped by 250 mm | | |



| Locking monitoring striker-set Locking and opening monitoring VdS class B Locking monitoring VdS class C | | | |
|--|--------------|----|----------------|
| Size □□ | Cable length | PU | Order number |
| 00 | 4 m | 10 | K-14970-□□-0-1 |
| 06 | 6 m | | |
| 10 | 10 m | | |
| Installation drawing 0-43463 | | | |

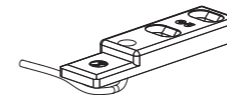
Accessories for signalling systems

VdS class C



Corner-drive

| Description | PU | Order number |
|--|----|----------------|
| 1 mushroom cam prepared for magnetic cam Locking and opening monitoring VdS class C | 10 | 6-32093-01-0-1 |
| Magnetic cam included in locking monitoring striker-set K-14970-□□-0-1. | | |



Opening monitoring striker-set

For control of extractor hoods and thermostat controllers

| Description | PU | Order number |
|------------------------------|----|----------------|
| Cable length: 4 m | 10 | K-14970-01-0-1 |
| Installation drawing 0-44518 | | |



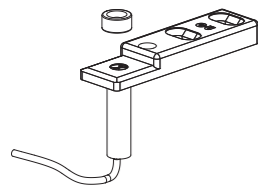
Extension 131

| Description | PU | Order number |
|---|----|----------------|
| Prepared for magnetic cam Locking and opening monitoring VdS class C | 10 | 6-33822-01-0-1 |
| Magnetic cam included in locking monitoring striker-set K-14970-□□-0-1. | | |



Magnet set

| Description | PU | Order number |
|--|----|----------------|
| Including fixing set Magnet for sash opening monitoring (e.g. in conjunction with an extractor hood) Suitable for use with opening monitoring striker set K-14970-01-0-1 | 10 | K-17448-00-0-7 |

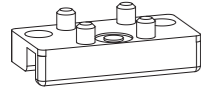


Locking monitoring striker-set including magnetic cam Locking and opening monitoring VdS class C

| Size □□ | Cable length | PU | Order number |
|------------------------------|--------------|----|----------------|
| 02 | 4 m | 10 | K-14970-□□-0-1 |
| 26 | 6 m | | |
| 30 | 10 m | | |
| Installation drawing 0-44851 | | | |

Accessories for signalling systems

Packers for set of strikers

| Profile-specific packers for locking monitoring strikers | | |
|--|-----|----------------|
| Description | PU | Order number |
| For PVC windows, depending on profile system | | |
| Alphacan Class; Fersina | 100 | 9-41827-07-0-1 |
| Alphacan MD 600 | 100 | 9-41827-06-0-1 |
| Aluplast 2000; 4000; 5000; 6000; 7000; 8000 | 100 | 9-41827-02-0-1 |
| Brüggmann bluEvolution 73 AD; bluEvolution 82 AD/MD; bluEvolution 92 MD | 100 | 9-41827-01-0-1 |
| Deceuninck Mondial | 100 | 9-41827-08-0-1 |
| Deceuninck Zendow | 100 | 9-41827-00-0-1 |
| Dimex Contour 7.0 | 100 | 9-41827-01-0-1 |
| Gealan S3000; S7000; S8000; S9000 | 100 | 9-41827-00-0-1 |
| Inoutic Prestige AD/MD; Eforte MD; Elite/Arcade AD | 100 | 9-41827-06-0-1 |
| Profine 70 AD; 76 AD/MD; 88 AD/MD (KBE, Kömmerling, Trocal) | 100 | 9-41827-00-0-1 |
| Profine Kömmerling EuroFutur Classic/Élegance AD/MD | 100 | 9-41827-00-0-1 |
| Profine Trocal 88+; Innonova 2000 | 100 | 9-41827-05-0-1 |
| Profine Trocal Confort; Innonova 70 AD/MD | 100 | 9-41827-03-0-1 |
| Rehau Brillant-Design; Clima-Design; Thermo-Design | 100 | 9-41827-01-0-1 |
| Rehau Euro-Design 86; Geneo; Synego | 100 | 9-41827-00-0-1 |
| Salamander 2D; 3D; Streamline | 100 | 9-41827-04-0-1 |
| Schüco Corona AS 60 | 100 | 9-41827-02-0-1 |
| Schüco Corona CT 70; Corona SI 82; Alu Inside SI 82; Living 82 AS/MD | 100 | 9-41827-03-0-1 |
| Veka Alphaline; Softline 70 AD/MD; Softline 82 AD/MD; Swingline 70 AD | 100 | 9-41827-01-0-1 |
| Wymar 2000 | 100 | 9-41827-08-0-1 |
| Wymar 2500 | 100 | 9-41827-03-0-1 |
| Wymar 3000 | 100 | 9-41827-02-0-1 |
| For aluminium windows | | |
| Frame groove 14/18, axis 9 | 100 | 9-41827-06-0-1 |

Table of contents





6.3 Assembly tools

Drilling and positioning jigs

for PVC windows

UNI-JET D 528

UNI-JET SCF 529

For timber windows

UNI-JET M6/12 – axis 9 mm 530

UNI-JET M6/4 – axis 9 mm 531

UNI-JET M6/12, M6/4 – axis 13 mm 532

UNI-JET M8/12 532

UNI-JET M20/12 533

UNI-JET S, UNI-JET SCF, UNI-JET CONTURA 534

For aluminium windows

UNI-JET C, UNI-JET D, UNI-JET CC 535

Adjustment tools

For PVC, timber and aluminium windows 536

Punching machines

For PVC, timber and aluminium windows 537

Drilling jigs and positioning jigs

UNI-JET D



Drilling jigs, positioning jigs for UNI-JET D

| UNI-JET D Tilt&Turn hardware, UNI-JET D Turn-Only hardware | | | | |
|--|--|----------------|----------------|----------------|
| Application range | Description | PU | Order number | |
| Installation of pivot-rest and stay-bearing | Drilling jig for drill-in hinge | | | |
| | AX 9 mm | 1 | 6-38619-09-0-0 | |
| | AX 13 mm | 1 | 6-38619-13-0-0 | |
| | Drilling jig for drill-in hinge with optional adjustable gasket pressure | | | |
| | AX 9 mm | 1 | 6-38847-09-0-0 | |
| | AX 13 mm | 1 | 6-38847-13-0-0 | |
| | Drilling jig for pivot-rest and stay-bearing, bore Ø 3 mm | | | |
| | Standard version | 1 | 6-27412-04-0-0 | |
| | Standard drilling jig, only for timber windows with rebate corner-hinge | 1 | 6-27412-55-0-0 | |
| | Drilling jig for pivot-rest and stay-bearing, bore Ø 3 and 6 mm | | | |
| | Standard version | 1 | 6-27412-54-0-0 | |
| | Drilling jig for pitched window stay-bearing, bore Ø 3 mm | | | |
| | Standard version | 1 | 6-32333-04-0-0 | |
| | Drilling jig for pitched window stay-bearing, bore Ø 3 and 6 mm | | | |
| | Standard version | 1 | 6-32333-54-0-0 | |
| | Profile-specific drilling jigs | | 1 | 6-32333-53-0-0 |
| | | | 1 | 6-32333-52-0-0 |
| | | | 1 | 6-32333-51-0-0 |
| | Drilling jig for rebate corner-hinge | | | |
| | AX 9 mm | 1 | 6-37433-09-0-0 | |
| | AX 13 mm | 1 | 6-37433-13-0-0 | |
| | Special drilling jig for higher positioned drill-in hinge | | | |
| | AX 9 mm | 1 | 6-38596-09-0-0 | |
| AX 13 mm | 1 | 6-38596-13-0-0 | | |
| Installation of strikers | 1 set of positioning jigs for strikers, fixed handle height, striker length 55 mm | 1 | 6-32644-00-0-0 | |
| | 1 set of positioning jigs for strikers, variable handle height, striker length 55 mm | 1 | 6-32645-00-0-0 | |
| Installation of Sec strikers | Drilling jig for striker 9-33141-**-0-1 for security hardware JET Se RC2 with shoot-bolt | 1 | 6-28175-00-0-0 | |
| | Drilling jig, striker insert for 9-33141-**-0-1 for security hardware JET Se RC2 with shoot-bolt | 1 | 6-27975-00-0-1 | |
| Installation of turn handle | Drilling jig for turn handle, VHH and FHH drive-gear with 15 and 7.5 mm backset | 1 | 6-22459-00-0-0 | |
| | Stopper rod for positioning of drilling jig 6-22459 | 1 | 9-27406-00-0-1 | |
| | Drilling jig with stop for PC gear 25 BS up to 50 BS | 1 | 6-25156-00-0-9 | |
| Installation of round-arch stay-bearing | Drilling jig for arched window stay-bearing, bore Ø 3 mm | 1 | 6-27412-04-0-0 | |
| Installation of centre-closer | Drilling jig for face-fixed centre-closer K-14241-01-0-1 and K-14239-01-0-1 | 1 | G-13154-12-0-0 | |
| Installation of strikers on 2-sashed windows and balcony-doors | Positioning jig for 2-sashed windows and balcony-doors with symmetrical division | 1 | 6-32963-00-0-1 | |

Drilling jigs and positioning jigs

UNI-JET SCF



Drilling jigs, positioning jigs for UNI-JET SCF

| UNI-JET SCF Tilt&Turn hardware, UNI-JET SCF Turn-Only hardware | | | |
|--|--|----|----------------|
| Application range | Description | PU | Order number |
| Installation of pivot-rest and stay-bearing | Drilling jig for stay-arm and pivot-rest | 1 | 6-34098-00-0-0 |
| Installation of turn handle | Drilling jig for turn handle, VHH and FHH drive-gear with 15 and 7.5 mm backset | 1 | 6-22459-00-0-0 |
| | Stopper rod for positioning of drilling jig 6-22459 | 1 | 9-27406-00-0-1 |
| | Drilling jig with stop for PC gear 25 BS up to 50 BS | 1 | 6-25156-00-0-9 |
| Installation of centre-closer | Drilling jig for face-fixed centre-closer K-14241-01-0-1 and K-14239-01-0-1 | 1 | G-13154-12-0-0 |
| Installation of strikers | 1 set of positioning jigs for strikers, fixed handle height, striker length 55 mm | 1 | 6-32644-00-0-0 |
| | 1 set of positioning jigs for strikers, variable handle height, striker length 55 mm | 1 | 6-32645-00-0-0 |
| Installation of strikers on 2-sashed windows and balcony-doors | Positioning jig for 2-sashed windows and balcony-doors with symmetrical division | 1 | 6-32963-00-0-1 |

Drilling jigs and positioning jigs

UNI-JET M6/12 – axis 9 mm



| Drilling jigs, positioning jigs for UNI-JET M6/12, axis 9 mm | | | | |
|---|--------------------------|--|----|----------------|
| UNI-JET M6/12 Tilt&Turn hardware, UNI-JET M6/12 Turn-Only hardware | | | | |
| Application range | | Description | PU | Order number |
| Installation of pivot-rest and stay-bearing | Sash overlap width 18 mm | Milling jig for stay-bearing, pivot-rest and bottom 2 x Ø 34 mm drill hole part for 34 mm milling cutter, with clamping device | 1 | 6-29129-18-0-0 |
| | Sash overlap width 20 mm | Milling jig for stay-bearing, pivot-rest and bottom 2 x Ø 34 mm drill hole part for 34 mm milling cutter, with clamping device | 1 | 6-29129-20-0-0 |
| Installation of turn handle and backset reducing gear (minus 5) | | Drilling jig for turn handle, VHH and FHH drive-gear with 15 and 7.5 mm backset | 1 | 6-22459-00-0-1 |
| | | Stopper rod for positioning of drilling jig 6-22459 | 1 | 9-27406-00-0-1 |
| | | Drilling jig with stop for PC gear 25 BS up to 50 BS | 1 | 6-25156-00-0-9 |
| | | Drilling/milling jig for backset reducing gear (minus 5) | 1 | EZ 0-44764 |
| Installation of turn blocker | | Milling jig for turn blocker 8-00772-00-0-1 and K-18162-00-0-1 | 1 | 6-23016-02-0-0 |
| Installation of centre-closer | | Drilling jig for face-fixed centre-closer K-14241-01-0-1 and K-14239-01-0-1 | 1 | G-13154-12-0-0 |
| Installation of stay-bearing on pitched windows | Sash overlap width 18 mm | Milling jig for stay-bearing on pitched window for 34 mm milling cutter, with clamping device | 1 | 6-32278-18-0-0 |
| | Sash overlap width 20 mm | Milling jig for stay-bearing on pitched window for 34 mm milling cutter, with clamping device | 1 | 6-32278-20-0-0 |
| Installation of strikers AX 9 mm Euro-rebate 18 x 8 mm, Euro-groove 7/8 x 4 mm | | 1 set of positioning jigs for strikers, fixed handle height – striker length 55 mm | 1 | 6-32644-00-0-0 |
| | | 1 set of positioning jigs for strikers, variable handle height – striker length 55 mm | 1 | 6-32645-00-0-0 |
| Installation of strikers AX 9 mm Euro-rebate 18 x 8 mm, 20 x 8 mm | | 1 set of loadable positioning jigs for strikers, fixed handle height – striker length 55 mm | 1 | 6-33408-00-0-1 |
| | | 1 set of loadable positioning jigs for strikers, variable handle height – striker length 55 mm | 1 | 6-33409-00-0-1 |
| Installation of strikers on 2-sashed windows and balcony-doors | | Positioning jig for 2-sashed windows and balcony-doors with symmetrical division | 1 | 6-32963-00-0-1 |
| Installation of rebate corner-hinge AX 9 mm | | Drilling jig for rebate corner-hinge | 1 | 6-37325-09-0-0 |

Drilling jigs and positioning jigs

UNI-JET M6/4 – axis 9 mm



| Drilling jigs, positioning jigs for UNI-JET M6/4, axis 9 mm | | | | |
|--|--|---|----------------|----------------|
| UNI-JET M6/4 Tilt&Turn hardware, UNI-JET M6/4 Turn-Only hardware | | | | |
| Application range | | Description | PU | Order number |
| Installation of pivot-rest and stay-bearing | Sash overlap width 15 mm | Milling jig for top and bottom 2 x Ø 34 mm drill hole part for 34 mm milling cutter, with clamping device | 1 | 6-30519-15-0-0 |
| | Sash overlap width 18 mm | Milling jig for top and bottom 2 x Ø 34 mm drill hole part for 34 mm milling cutter, with clamping device | 1 | 6-30519-18-0-0 |
| Installation of turn handle and backset reducing gear (minus 5) | | Drilling jig for turn handle, VHH and FHH drive-gear with 15 and 7.5 mm backset | 1 | 6-22459-00-0-1 |
| | | Stopper rod for positioning of drilling jig 6-22459 | 1 | 9-27406-00-0-1 |
| | | Drilling jig with stop for PC gear 25 BS up to 50 BS | 1 | 6-25156-00-0-9 |
| | | Drilling/milling jig for backset reducing gear (minus 5) | 1 | EZ 0-44764 |
| Installation of turn blocker | | Milling jig for turn blocker 8-00770-00-0-1 and K-18162-00-0-1 | 1 | 6-23016-01-0-0 |
| Installation of centre-closer | | Drilling jig for face-fixed centre-closer K-14241-01-0-1 and K-14239-01-0-1 | 1 | G-13154-12-0-0 |
| Installation of strikers and shoot-bolts | Milling jig for T&T striker (horizontal at bottom) | | 1 | 6-32723-00-0-0 |
| | Milling jig insert for striker 8-00872-00-0-1 | | | |
| | | Drive-gear for windows | 1 | 6-32793-00-0-3 |
| | | Drive-gear for balcony-doors | 1 | 6-32794-00-0-3 |
| | | Hinge-side | 1 | 6-32795-00-0-3 |
| | Template for T&T striker 8-00871-00-0-1 (vertical installation) and concealed turn blocker 8-00770-00-0-1 | | | |
| | | without clamping device | 1 | 6-32785-01-0-0 |
| | | with clamping device | 1 | 6-32785-02-0-0 |
| | Template for shoot-bolts | | | |
| | | Template for shoot-bolts 8-00781-00-0-1 and 8-00782-00-0-1 | 1 | 6-22525-00-0-0 |
| Rod for template | | | | |
| | 1850 mm for window gear | 1 | 9-41858-00-0-1 | |
| | 2350 mm for balcony-doors drive-gears | 1 | 9-41859-00-0-1 | |
| | 1500 mm for hinge-side locking | 1 | 9-41860-00-0-1 | |
| | Rod for 2-sashed windows | 1 | 9-41872-00-0-1 | |

Drilling jigs and positioning jigs

UNI-JET M6/12, UNI-JET M6/4 – axis 13 mm

UNI-JET M8/12



Drilling jigs and templates for UNI-JET M6/12, UNI-JET M6/4, axis 13 mm

| UNI-JET M6/12 Tilt&Turn hardware, UNI-JET M6/12 Turn-Only hardware UNI-JET M6/4 Tilt&Turn hardware, UNI-JET M6/4 Turn-Only hardware | | | | |
|--|--|---|----------------|----------------|
| Application range | | Description | PU | Order number |
| Installation of pivot-rest and stay-bearing | Sash overlap width 18 mm | Milling jig for top and bottom 2 x Ø 34 mm drill hole part for 34 mm milling cutter, with clamping device | 1 | K-18028-18-0-0 |
| | Sash overlap width 20 mm | Milling jig for stay-bearing and pivot-rest, for 16 mm milling cutter, 27 mm guide-ring | 1 | 6-36127-20-0-1 |
| Installation of rebate corner-hinge | | Drilling jig for rebate corner-hinge | 1 | 6-37325-13-0-0 |
| UNI-JET M6/4 security hardware | | Template for strikers, with clamping device | 1 | 6-27774-00-0-0 |
| Installation of turn handle and backset reducing gear (minus 5) | Drilling jig for turn handle, VHH and FHH drive-gear with 15 and 7.5 mm backset | | 1 | 6-22459-00-0-1 |
| | Stopper rod for positioning of drilling jig 6-22459 | | 1 | 9-27406-00-0-1 |
| | Drilling jig with stop for PC gear 25 BS up to 50 BS | | 1 | 6-25156-00-0-9 |
| | Drilling/milling jig for backset reducing gear (minus 5) | | 1 | EZ 0-44764 |
| Installation of turn blocker | | Milling jig for turn blocker 8-00772-00-0-1, 8-00770-00-0-1 and K-18162-00-0-1 | 1 | 6-23016-01-0-0 |
| Installation of centre-closer | | Drilling jig for face-fixed centre-closer K-14241-01-0-1 and K-14239-01-0-1 | 1 | G-13154-12-0-0 |
| Installation of strikers and shoot-bolts | Milling jig for T&T striker (horizontal at bottom) | | 1 | 6-32723-00-0-0 |
| | Milling jig insert for striker 8-00872-00-0-1 | | | |
| | Drive-gear for windows | | 1 | 6-32793-00-0-3 |
| | Drive-gear for balcony-doors | | 1 | 6-32794-00-0-3 |
| | Hinge-side | | 1 | 6-32795-00-0-3 |
| | Milling jig for run-up block (sash lifter) | | 1 | 6-32783-00-0-3 |
| | Template for shoot-bolts | | | |
| Template for shoot-bolts 8-00781-00-0-1 and 8-00782-00-0-1 | | 1 | 6-22525-00-0-0 | |
| Installation of strikers AX 13 mm Euro-rebate 24 x 8 mm | 1 set of loadable positioning jigs for strikers, fixed handle height – striker length 55 mm | | 1 | 6-33224-00-0-1 |
| | 1 set of loadable positioning jigs for strikers, variable handle height – striker length 55 mm | | 1 | 6-33225-00-0-1 |
| Installation of strikers on 2-sashed windows and balcony-doors | | Positioning jig for 2-sashed windows and balcony-doors with symmetrical division | 1 | 6-32963-00-0-1 |

Drilling jigs and templates for UNI-JET M8/12, axis 9 and 13 mm

| UNI-JET M8/12 Tilt&Turn hardware, UNI-JET M8/12 Turn-Only hardware | | | | |
|--|---------------------------------|---|----|----------------|
| Application range | | Description | PU | Order number |
| Installation of pivot-rest and stay-bearing | Sash overlap width 18 mm | Milling jig for stay-bearing and pivot-rest, for 16 mm milling cutter, 27 mm guide-ring | 1 | 6-36127-18-0-1 |
| | Sash overlap width 20 mm | Milling jig for stay-bearing and pivot-rest, for 16 mm milling cutter, 27 mm guide-ring | 1 | 6-36127-20-0-1 |
| | Sash overlap width 18 and 20 mm | Drilling jig for stay-bearing and pivot-rest (positioning pins can be replugged depending on the overlap width) | 1 | 6-37073-01-0-1 |
| Installation of rebate corner-hinge | | Drilling jig for rebate corner-hinge (drill holes at sash overlap), AX 9 mm | 1 | 6-37326-09-0-0 |
| | | Drilling jig for rebate corner-hinge (drill holes at sash overlap), AX 13 mm | 1 | 6-37326-13-0-0 |
| Accessory for hardware installation on sash | | Socket wrench for pivot-rest | 1 | 9-49335-01-0-9 |

Drilling jigs and positioning jigs

UNI-JET M20/12



Drilling jigs, positioning jigs for UNI-JET

| UNI-JET M20/12 Tilt&Turn hardware, UNI-JET M20/12 Turn-Only hardware | | | | | |
|---|---|--|--|----------------|----------------|
| Application range | | Description | PU | Order number | |
| Installation of pivot-rest and stay-bearing | Sash overlap width 18 mm | Drilling jig for pivot-rest 6-28022-00-*1, for 34 mm Forstner bit, with clamping device, for windows with Euro-groove 7/8 x 4 mm and clearance 11 mm | 1 | 6-28027-11-0-9 | |
| | Sash overlap width 20 mm | Drilling jig for pivot-rest 6-28022-00-*1, for 34 mm Forstner bit, with clamping device, for windows with Euro-groove 7/8 x 4 mm and clearance 11 mm | 1 | 6-28027-21-0-9 | |
| | Sash overlap width 18 mm | Drilling jig for pivot-rest 6-28022-00-*1, for 34 mm Forstner bit, with clamping device, for windows with Euro-groove 18 x 8 mm and clearance 12 mm | 1 | 6-28027-12-0-9 | |
| | Sash overlap width 20 mm | Drilling jig for pivot-rest 6-28022-00-*1, for 34 mm Forstner bit, with clamping device, for windows with Euro-groove 18 x 8 mm and clearance 12 mm | 1 | 6-28027-22-0-9 | |
| | Sash overlap width 18 mm | Milling jig for pivot-rest 6-28022-00-*1, for 34 mm cutter and 40 mm guide-ring, with clamping device, for windows with Euro-groove 7/8 x 4 mm and clearance 11 mm | 1 | 6-28028-11-0-9 | |
| | Sash overlap width 20 mm | Milling jig for pivot-rest 6-28022-00-*1, for 34 mm cutter and 40 mm guide-ring, with clamping device, for windows with Euro-groove 7/8 x 4 mm and clearance 11 mm | 1 | 6-28028-21-0-9 | |
| | Sash overlap width 18 mm | Milling jig for pivot-rest 6-28022-00-*1, for 34 mm cutter and 40 mm guide-ring, with clamping device, for windows with Euro-groove 18 x 8 mm and clearance 12 mm | 1 | 6-28028-12-0-9 | |
| | Sash overlap width 20 mm | Milling jig for pivot-rest 6-28022-00-*1, for 34 mm cutter and 40 mm guide-ring, with clamping device, for windows with Euro-groove 18 x 8 mm and clearance 12 mm | 1 | 6-28028-22-0-9 | |
| | Installation of stay-bearing on pitched windows | Sash overlap width 18 mm | Drilling jig for stay-bearing 6-28020-00-*1, for 34 mm Forstner bit, with clamping device, for windows with Euro-groove 7/8 x 4 mm and clearance 11 mm | 1 | 6-28307-11-0-0 |
| | | Sash overlap width 20 mm | Drilling jig for stay-bearing 6-28020-00-*1, for 34 mm Forstner bit, with clamping device, for windows with Euro-groove 7/8 x 4 mm and clearance 11 mm | 1 | 6-28307-21-0-0 |
| Sash overlap width 18 mm | | Drilling jig for stay-bearing 6-28020-00-*1, for 34 mm Forstner bit, with clamping device, for windows with Euro-groove 18 x 8 mm and clearance 21 mm | 1 | 6-28307-12-0-0 | |
| Sash overlap width 20 mm | | Drilling jig for stay-bearing 6-28020-00-*1, for 34 mm Forstner bit, with clamping device, for windows with Euro-groove 18 x 8 mm and clearance 21 mm | 1 | 6-28307-22-0-0 | |
| Sash overlap width 18 mm | | Milling jig for stay-bearing 6-28020-00-*1, for 34 mm cutter and 40 mm guide-ring, with clamping device, for windows with Euro-groove 7/8 x 4 mm and clearance 11 mm | 1 | 6-28308-11-0-0 | |
| Sash overlap width 20 mm | | Milling jig for stay-bearing 6-28020-00-*1, for 34 mm cutter and 40 mm guide-ring, with clamping device, for windows with Euro-groove 7/8 x 4 mm and clearance 11 mm | 1 | 6-28308-21-0-0 | |
| Sash overlap width 18 mm | | Milling jig for stay-bearing 6-28020-00-*1, for 34 mm cutter and 40 mm guide-ring, with clamping device, for windows with Euro-groove 18 x 8 mm and clearance 12 mm | 1 | 6-28308-12-0-0 | |
| Sash overlap width 20 mm | | Milling jig for stay-bearing 6-28020-00-*1, for 34 mm cutter and 40 mm guide-ring, with clamping device, for windows with Euro-groove 18 x 8 mm and clearance 12 mm | 1 | 6-28308-22-0-0 | |
| Installation of round-arch stay-bearing | | Sash overlap width 20 mm | Drilling jig for stay-bearing | 1 | 6-28317-20-0-0 |
| | | | Milling jig for stay-bearing | 1 | 6-28318-20-0-0 |
| Accessories | | 34 mm Forstner bit | 1 | 9-28513-00-R-0 | |
| | | Open-end wrench 11 mm for stay | 10 | 9-29604-00-0-1 | |
| Installation of turn handle and backset reducing gear (minus 5) | Drilling jig for turn handle, VHH and FHH drive-gear with 15 and 7.5 mm backset | | 1 | 6-22459-00-0-1 | |
| | Stopper rod for positioning of drilling jig 6-22459 | | 1 | 9-27406-00-0-1 | |
| | Drilling jig with stop for PC gear 25 BS up to 50 BS | | 1 | 6-25156-00-0-9 | |
| | Drilling/milling jig for backset reducing gear (minus 5) | | 1 | EZ 0-44764 | |
| Installation of turn blocker | | Milling jig for turn blocker 8-00772-00-0-1 and K-18162-00-0-1 | 1 | 6-23016-02-0-0 | |
| Installation of centre-closer | | Drilling jig for face-fixed centre-closer K-14241-01-0-1 and K-14239-01-0-1 | 1 | G-13154-12-0-0 | |
| Installation of strikers AX 9 mm Euro-rebate 18 x 8 mm Euro-groove 7/8 x 4 mm | 1 set of positioning jigs for strikers, fixed handle height, striker length 55 mm | | 1 | 6-32644-00-0-0 | |
| | 1 set of positioning jigs for strikers, variable handle height, striker length 55 mm | | 1 | 6-32645-00-0-0 | |
| Installation of strikers AX 9 mm Euro-rebate 18 x 8 mm Euro-rebate 20 x 8 mm | 1 set of loadable positioning jigs for strikers, fixed handle height, striker length 55 mm | | 1 | 6-33408-00-0-1 | |
| | 1 set of loadable positioning jigs for strikers, variable handle height, striker length 55 mm | | 1 | 6-33409-00-0-1 | |
| Installation of strikers on 2-sashed windows and balcony-doors | | Positioning jig for 2-sashed windows and balcony-doors with symmetrical division | 1 | 6-32963-00-0-1 | |

Drilling jigs and positioning jigs

UNI-JET S, UNI-JET SCF, UNI-JET CONTURA



Drilling jigs, positioning jigs for UNI-JET S

| UNI-JET S Tilt&Turn hardware, UNI-JET S Turn-Only hardware | | | |
|---|---|----|----------------|
| Application range | Description | PU | Order number |
| Installation of rebate corner-hinge | Drilling jig for rebate corner-hinge AX 9 mm | 1 | 6-37433-09-0-0 |
| | Drilling jig for rebate corner-hinge AX 13 mm | 1 | 6-37433-13-0-0 |
| Installation of turn handle and backset reducing gear (minus 5) | Drilling jig for turn handle, VHH and FHH drive-gear with 15 and 7.5 mm backset | 1 | 6-22459-00-0-1 |
| | Stopper rod for positioning of drilling jig 6-22459 | 1 | 9-27406-00-0-1 |
| | Drilling jig with stop for PC gear 25 BS up to 50 BS | 1 | 6-25156-00-0-9 |
| | Drilling/milling jig for backset reducing gear (minus 5) | 1 | EZ 0-44764 |
| Installation of turn blocker | Milling jig for turn blocker 8-00772-00-0-1 and K-18162-00-0-1 | 1 | 6-23016-02-0-0 |
| Installation of centre-closer | Drilling jig for face-fixed centre-closer K-14241-01-0-1 and K-14239-01-0-1 | 1 | G-13154-12-0-0 |
| Installation of strikers AX 9 mm Euro-rebate 18 x 8 mm Euro-groove 7/8 x 4 mm | 1 set of positioning jigs for strikers, fixed handle height, striker length 55 mm | 1 | 6-32644-00-0-0 |
| | 1 set of positioning jigs for strikers, variable handle height, striker length 55 mm | 1 | 6-32645-00-0-0 |
| Installation of strikers AX 13 mm Euro-rebate 24 x 8 mm | 1 set of loadable positioning jigs for strikers, fixed handle height, striker length 55 mm | 1 | 6-33224-00-0-1 |
| | 1 set of loadable positioning jigs for strikers, variable handle height, striker length 55 mm | 1 | 6-33225-00-0-1 |
| Installation of strikers on 2-sashed windows and balcony-doors | Positioning jig for 2-sashed windows and balcony-doors with symmetrical division | 1 | 6-32963-00-0-1 |

Drilling jigs, positioning jigs for UNI-JET SCF

| UNI-JET SCF Tilt&Turn hardware, UNI-JET SCF Turn-Only hardware | | | |
|--|---|----|----------------|
| Application range | Description | PU | Order number |
| Installation of pivot-rest and stay-bearing | Drilling jig for stay-arm and pivot-rest Window with Euro-rebate 24 x 8 mm | 1 | 6-39199-01-0-1 |
| | Milling jig for stay-arm and pivot-rest, left (cutout with AX 9 mm and rebate depth 18/20 mm) | 1 | 6-35018-00-L-0 |
| | Milling jig for stay-arm and pivot-rest, right (cutout with AX 9 mm and rebate depth 18/20 mm) | 1 | 6-35018-00-R-0 |
| Installation of turn handle | Drilling jig for turn handle, VHH and FHH drive-gear with 15 and 7.5 mm backset | 1 | 6-22459-00-0-1 |
| | Stopper rod for positioning of drilling jig 6-22459 | 1 | 9-27406-00-0-1 |
| | Drilling jig with stop for PC gear 25 BS up to 50 BS | 1 | 6-25156-00-0-9 |
| Installation of strikers AX 9 mm Euro-rebate 18 x 8 mm | 1 set of positioning jigs for strikers, fixed handle height, striker length 55 mm | 1 | 6-32644-00-0-0 |
| | 1 set of positioning jigs for strikers, variable handle height, striker length 55 mm | 1 | 6-32645-00-0-0 |
| Installation of strikers on 2-sashed windows and balcony-doors | Positioning jig for 2-sashed windows and balcony-doors with symmetrical division | 1 | 6-32963-00-0-1 |

Drilling jigs, positioning jigs for UNI-JET CONTURA

| UNI-JET CONTURA Tilt&Turn hardware, UNI-JET CONTURA Turn-Only hardware | | | |
|--|--|----|----------------|
| Application range | Description | PU | Order number |
| Installation of pivot-rest and stay-bearing | Drilling jig for frame with clamping device | 1 | 6-28962-00-0-0 |
| Installation of turn handle | Drilling jig for turn handle, VHH and FHH drive-gear with 15 and 7.5 mm backset | 1 | 6-22459-00-0-1 |
| | Stopper rod for positioning of drilling jig 6-22459 | 1 | 9-27406-00-0-1 |
| | Drilling jig with stop for PC gear 25 BS up to 50 BS | 1 | 6-25156-00-0-9 |
| Installation of strikers | 1 set of positioning jigs for strikers, fixed handle height, striker length 55 mm | 1 | 6-32578-00-0-0 |
| | 1 set of positioning jigs for strikers, variable handle height, striker length 55 mm | 1 | 6-32579-00-0-0 |

Drilling jigs and positioning jigs

UNI-JET C, UNI-JET D, UNI-JET CC



Drilling jigs, positioning jigs for UNI-JET C

| UNI-JET C Tilt&Turn hardware, UNI-JET C Turn-Only hardware | | | | |
|--|--|----|----------------|---------------------------|
| Application range | Description | PU | Order number | |
| Installation of set of additional parts for stay-bearing | Sash overlap width 18 mm | 1 | 6-31951-00-0-6 | Drilling and mounting jig |
| | Sash overlap width 20 mm | | | |
| Installation of strikers | 1 set of positioning jigs for strikers, fixed handle height, striker length 55 mm | 1 | 6-32644-00-0-0 | |
| | 1 set of positioning jigs for strikers, variable handle height, striker length 55 mm | 1 | 6-32645-00-0-0 | |
| Installation of turn handle | Drilling jig for turn handle, VHH and FHH drive-gear with 15 and 7.5 mm backset | 1 | 6-22459-00-0-0 | |
| | Stopper rod for positioning of drilling jig 6-22459 | 1 | 9-27406-00-0-1 | |
| | Drilling jig with stop for PC gear 25 BS up to 50 BS | 1 | 6-25156-00-0-9 | |
| Installation of strikers on 2-sashed windows and balcony-doors | Positioning jig for 2-sashed windows and balcony-doors with symmetrical division | 1 | 6-32963-00-0-1 | |

Drilling jigs, positioning jigs for UNI-JET D

| UNI-JET D Tilt&Turn hardware, UNI-JET D Turn-Only hardware | | | |
|--|--|----|----------------|
| Application range | Description | PU | Order number |
| Installation of pivot-rest and stay-bearing | Drilling jig for pivot-rest and stay-bearing, bore Ø 3 mm | | |
| | Standard version (flush windows) | 1 | 6-27412-04-0-0 |
| | Drilling jig for pivot-rest and stay-bearing, bore Ø 3 and 6 mm | | |
| | Standard version (flush windows) | 1 | 6-27412-54-0-0 |
| | Drilling jig for pitched window stay-bearing, bore Ø 3 mm | | |
| | Standard version | 1 | 6-32333-04-0-0 |
| Installation of strikers | Drilling jig for pitched window stay-bearing, bore Ø 3 and 6 mm | | |
| | Standard version | 1 | 6-32333-54-0-0 |
| | 1 set of positioning jigs for strikers, fixed handle height, striker length 55 mm | 1 | 6-32644-00-0-0 |
| Installation of strikers | 1 set of positioning jigs for strikers, variable handle height, striker length 55 mm | 1 | 6-32645-00-0-0 |
| | Drilling jig for turn handle, VHH and FHH drive-gear with 15 and 7.5 mm backset | 1 | 6-22459-00-0-0 |
| Installation of turn handle | Stopper rod for positioning of drilling jig 6-22459 | 1 | 9-27406-00-0-1 |
| | Drilling jig with stop for PC gear 25 BS up to 50 BS | 1 | 6-25156-00-0-9 |
| | Drilling jig for arched window stay-bearing, bore Ø 3 mm | 1 | 6-27412-04-0-0 |
| Installation of strikers on 2-sashed windows and balcony-doors | Positioning jig for 2-sashed windows and balcony-doors with symmetrical division | 1 | 6-32963-00-0-1 |

Drilling jigs, positioning jigs for UNI-JET CC

| UNI-JET CC Tilt&Turn hardware, UNI-JET CC Turn-Only hardware | | | |
|--|--|----|----------------|
| Application range | Description | PU | Order number |
| Installation of strikers | 1 set of positioning jigs for strikers, fixed handle height, striker length 55 mm | 1 | 6-32644-00-0-0 |
| | 1 set of positioning jigs for strikers, variable handle height, striker length 55 mm | 1 | 6-32645-00-0-0 |
| Installation of turn handle | Drilling jig for turn handle, VHH and FHH drive-gear with 15 and 7.5 mm backset | 1 | 6-22459-00-0-0 |
| | Stopper rod for positioning of drilling jig 6-22459 | 1 | 9-27406-00-0-1 |
| | Drilling jig with stop for PC gear 25 BS up to 50 BS | 1 | 6-25156-00-0-9 |
| Installation of strikers on 2-sashed windows and balcony-doors | Positioning jig for 2-sashed windows and balcony-doors with symmetrical division | 1 | 6-32963-00-0-1 |

Adjustment tools

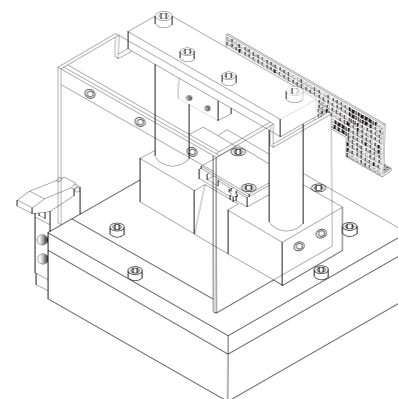
For PVC, timber and aluminium windows



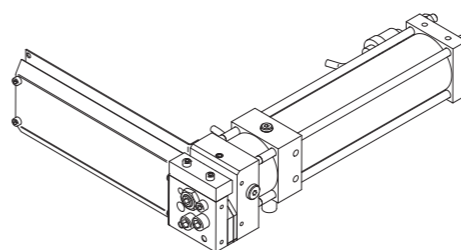
| Adjustment tools | | | | | |
|---|-----------------------------------|---|----------------|----------------|----------------|
| Application range | Hinge-side | Description | PU | Order number | |
| Stay-arm, drill-in hinge, rebate corner-hinge, pivot-rest, locking cams | all hinge-sides | Mini ratchet wrench bit driver | 1 | H-00866-00-0-0 | |
| | | Ratchet wrench bit driver, narrow | 1 | H-00821-00-0-0 | |
| | | Flexible bit-holder with flexible shank | 1 | H-00757-00-0-0 | |
| | | Bits for bit-wrench and bit-holder | | | |
| | | Size | Length in mm | PU | Order number |
| | | Torx 15 bit | 15 | 1 | H-00822-15-0-0 |
| | | Torx 15 bit | 50 | 1 | H-00819-15-0-0 |
| | | Torx 15 bit | 75 | 1 | H-00820-15-0-0 |
| | | 4 mm bit | 50 | 1 | H-01501-50-0-0 |
| | | Torx wrench | Torx 15 | 1 | H-00809-15-0-0 |
| | | Hexalobular key | Torx 15 | 1 | 9-43631-00-0-6 |
| | | Hexalobular key L-shaped | Torx 15 | 1 | 9-42886-00-0-0 |
| | | Hexalobular key T-shaped | Torx 15 | 1 | H-00346-15-0-0 |
| | | Allen key/hexalobular key | SW 4 / Torx 15 | 1 | 9-43631-01-0-6 |
| | | Allen key | SW 4 | 1 | 9-43631-64-0-6 |
| | UNI-JET multi-function tool | | 1 | 6-37845-01-0-1 | |
| Pulling tool, complete with bit-wrench and SW 4 / Torx 15 bits | | 1 | 6-37291-00-0-1 | | |
| UNI-JET D/UNI-JET M/UNI-JET S | Pulling tool for stay-bearing pin | 1 | 6-38513-04-0-9 | | |

Punching machines

For PVC, timber and aluminium windows



| Punching machine (Pressta Eisele) | | |
|-----------------------------------|----|----------------|
| Description | PU | Order number |
| Punch | 1 | 9-38798-00-0-0 |
| Accessories | PU | Order number |
| Scale with length stop | 1 | 6-25238-00-0-0 |
| Length stop | 1 | 6-25236-00-0-0 |



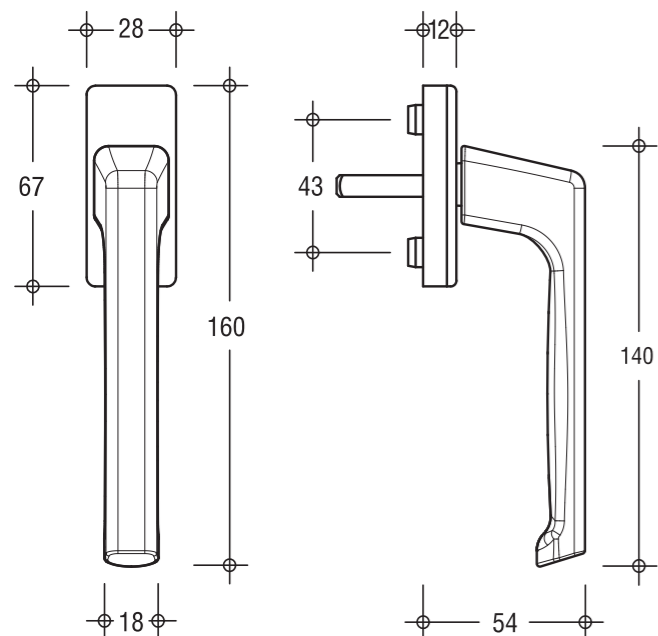
| Punching machine (Reiplinger) | | |
|--|----|----------------|
| Description | PU | Order number |
| Punch BeSt 40-GLSV 30 (inserted left) | 1 | T-03050-00-0-0 |
| Punch BeSt 40-GLSV 30 (inserted right) | 1 | T-03050-00-0-0 |
| Accessories | PU | Order number |
| Foot control | 1 | T-03050-00-0-0 |
| Dual scale GU 2600, left hand | 1 | T-03050-00-0-0 |
| Dual scale GU 2600 right-hand | 1 | T-03050-00-0-0 |
| Calliper gauge UNI-JET left-hand | 1 | T-03050-00-0-0 |
| Calliper gauge UNI-JET right-hand | 1 | T-03050-00-0-0 |

Table of contents



6.4 Window handles

| | |
|-------------------------|-----|
| DIRIGENT | 540 |
| ADAGIO | 544 |
| MODENA | 548 |
| SOPRANO | 550 |
| SAN REMO | 552 |
| Accessories for handles | 553 |

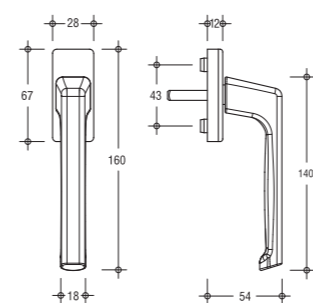


DIRIGENT-F, DIRIGENT-F/SP

DIRIGENT turn handles are bound to impress with their bold shape and clean lines. Elegance and functionality are the main design features of the DIRIGENT design.

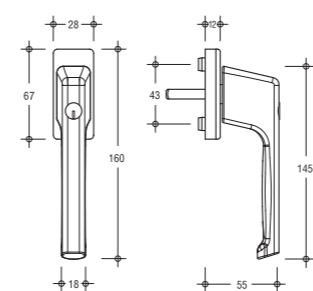
Product range: aluminium interior and exterior handles for timber, PVC and metal windows and balcony-doors.

| Technical data | |
|------------------|---|
| Description | Data |
| Interior rosette | 28 x 67 mm |
| Detent | 90° or 90° and 45° with F/SP |
| Lug | Ø 10 mm |
| Length of lug | 5 mm |
| Square spindle | fastened, 7 x 29, 7 x 33, 7 x 38 or 7 x 43 mm |
| Locking system | F/Z keyed alike |
| Rosette cover | pivotable |
| Fixing | concealed |



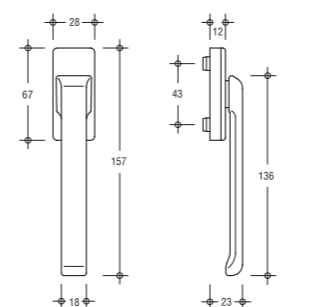
| DIRIGENT-F [1] | | |
|------------------------------|----|----------------|
| Version | PU | Order number |
| 25 mm square spindle, inside | 20 | 6-28072-25-0-□ |
| 29 mm square spindle, inside | 20 | 6-28072-29-0-□ |
| 33 mm square spindle, inside | 20 | 6-28072-33-0-□ |
| 38 mm square spindle, inside | 20 | 6-28072-38-0-□ |
| 43 mm square spindle, inside | 20 | 6-28072-43-0-□ |

[1] also w/o spindle

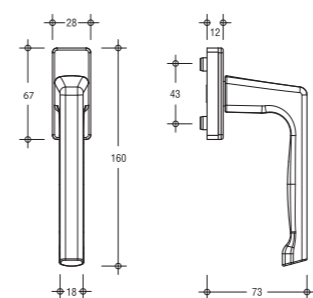


| DIRIGENT-F/Z [1] | | |
|--|----|----------------|
| Version | PU | Order number |
| 29 mm square spindle, inside, with push lock | 20 | 6-28075-29-0-□ |
| 33 mm square spindle, inside, with push lock | 20 | 6-28075-33-0-□ |
| 38 mm square spindle, inside, with push lock | 20 | 6-28075-38-0-□ |

[1] also w/o spindle



| DIRIGENT-F/F | | |
|--------------|----|----------------|
| Version | PU | Order number |
| Inside, flat | 20 | 6-28101-00-0-□ |



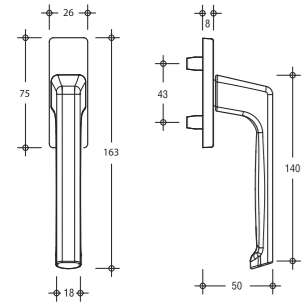
| DIRIGENT-F/H | | |
|--------------|----|----------------|
| Version | PU | Order number |
| Inside, high | 20 | 6-28102-00-0-□ |

Order example

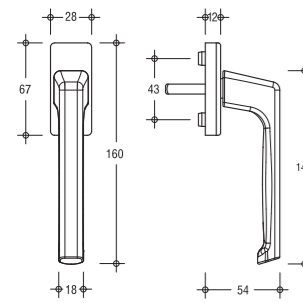
Colour 1 (silver), 5 (brown)
or 7 (white)

6-28072-25-0-□

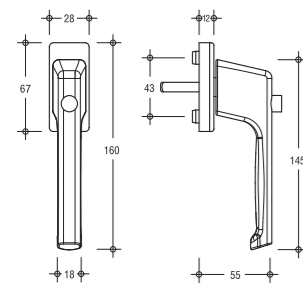
DIRIGENT



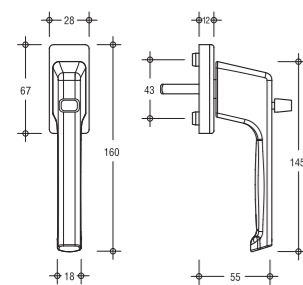
| DIRIGENT-F/A | | |
|--------------|----|----------------|
| Version | PU | Order number |
| Outside | 20 | 6-25993-00-0-□ |



| DIRIGENT-F/SP | | |
|--|----|----------------|
| Version | PU | Order number |
| 29 mm square spindle, inside, 45° detent | 20 | 6-28094-29-0-□ |
| 33 mm square spindle, inside, 45° detent | 20 | 6-28094-33-0-□ |
| 38 mm square spindle, inside, 45° detent | 20 | 6-28094-38-0-□ |



| DIRIGENT-F/KD | | |
|--|----|----------------|
| Version | PU | Order number |
| 29 mm square spindle, inside, with push-button | 20 | 6-30268-29-0-□ |
| 33 mm square spindle, inside, with push-button | 20 | 6-30268-33-0-□ |
| 38 mm square spindle, inside, with push-button | 20 | 6-30268-38-0-□ |



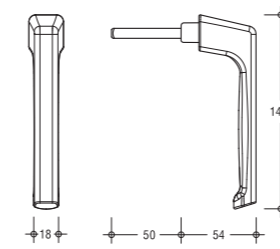
| DIRIGENT-F/CHK | | |
|-------------------------------|----|----------------|
| Version | PU | Order number |
| Inside, with Swiss night lock | 20 | 6-28096-00-0-□ |

Order example

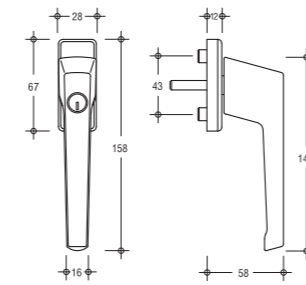
Colour 1 (silver), 5 (brown)
or 7 (white)

6-25993-00-0-□

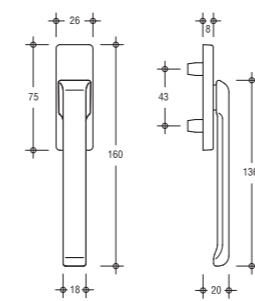
DIRIGENT



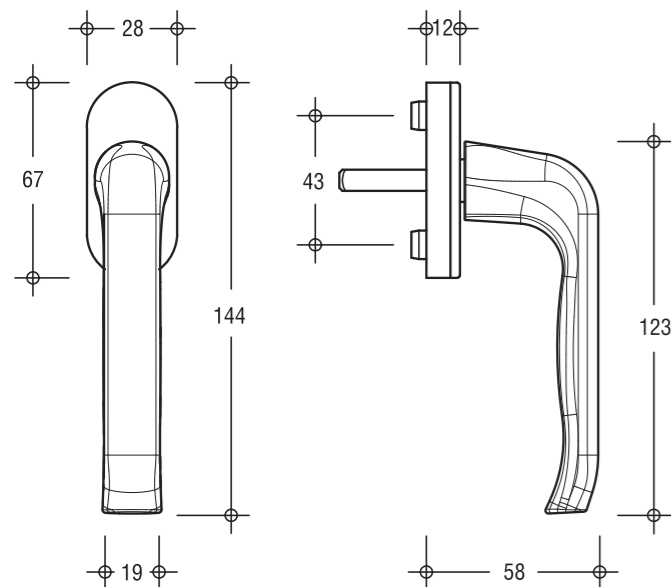
| DIRIGENT-F/SG | | |
|--------------------------|----|----------------|
| Version | PU | Order number |
| Removable handle, inside | 20 | 8-00694-50-0-7 |



| DIRIGENT Tilt-First | | |
|--|----|----------------|
| Version | PU | Order number |
| 29 mm square spindle, inside, for Tilt&Turn function, lockable | 20 | 6-31557-29-0-□ |
| 33 mm square spindle, inside, for Tilt&Turn function, lockable | 20 | 6-31557-33-0-□ |
| 38 mm square spindle, inside, for Tilt&Turn function, lockable | 20 | 6-31557-38-0-□ |



| DIRIGENT-F/AF, | | |
|----------------|----|----------------|
| Version | PU | Order number |
| Outside, flat | 20 | 6-25223-00-0-□ |



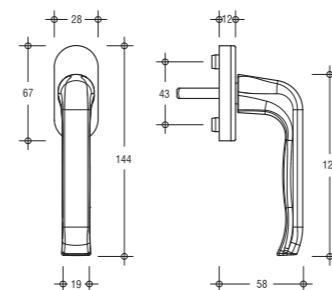
ADAGIO-F, ADAGIO-F/SP

The design of the ADAGIO window handles is characterised by round and soft forms. They are a comfortable to hold and easy to operate.

Product range: aluminium interior and exterior handles for timber, PVC and metal windows and balcony-doors.

Technical data

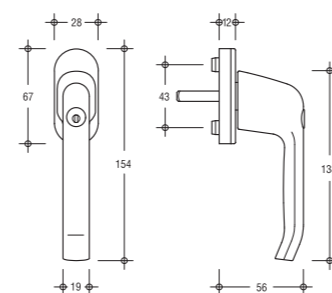
| Description | Data |
|------------------|---|
| Interior rosette | 28 x 67 mm (round) |
| Detent | 90° or 90° and 45° F/SP |
| Lug | Ø 10 mm |
| Length of lug | 5 mm |
| Square spindle | Fastened, 7 x 29, 7 x 33, 7 x 38 or 7 x 43 mm |
| Locking system | F/Z keyed alike |
| Rosette cover | pivotable |
| Fixing | concealed |



ADAGIO-F [1]

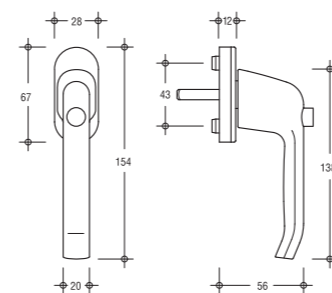
| Version | PU | Order number |
|------------------------------|----|----------------|
| 29 mm square spindle, inside | 20 | 6-29548-29-0-□ |
| 33 mm square spindle, inside | 20 | 6-29548-33-0-□ |
| 38 mm square spindle, inside | 20 | 6-29548-38-0-□ |

[1] also w/o spindle



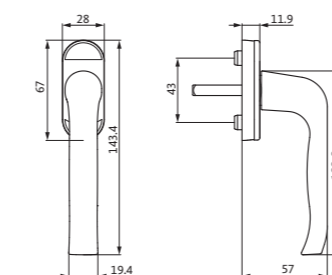
ADAGIO-F/Z

| Version | PU | Order number |
|--|----|----------------|
| 29 mm square spindle, inside, with push lock | 20 | 6-29549-29-0-□ |
| 33 mm square spindle, inside, with push lock | 20 | 6-29549-33-0-□ |
| 38 mm square spindle, inside, with push lock | 20 | 6-29549-38-0-□ |



ADAGIO-F/KD

| Version | PU | Order number |
|--|----|----------------|
| 29 mm square spindle, inside, with push-button | 20 | 6-29890-29-0-□ |
| 33 mm square spindle, inside, with push-button | 20 | 6-29890-33-0-□ |
| 38 mm square spindle, inside, with push-button | 20 | 6-29890-38-0-□ |



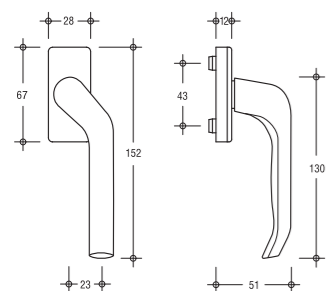
ADAGIO-F/SP

| Version | Order number |
|--|----------------|
| 33 mm square spindle, inside, 45° detent | 6-31803-33-0-□ |
| 38 mm square spindle, inside, 45° detent | 6-31803-38-0-□ |
| 43 mm square spindle, inside, 45° detent | 6-31803-43-0-□ |

Order example

Colour 1 (silver), 5 (brown)
or 7 (white)

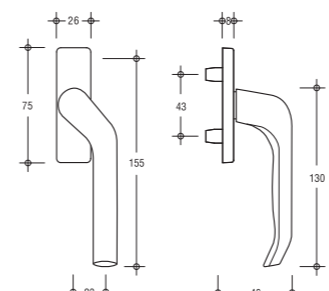
6-29548-29-0-□



ADAGIO-F/G
Cranked inside handles
for outward-opening windows and balcony-doors (Turn-Only sash)

| Description | Version | PU | Order number |
|---------------|------------------------------|----|----------------|
| ADAGIO-F/G-LS | Crank DIN LH, square rosette | 20 | 6-31323-00-0-□ |
| ADAGIO-F/G-RS | Crank DIN RH, square rosette | 20 | 6-31221-00-0-□ |

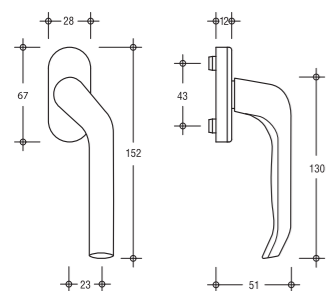
Illustration shows DIN LH



ADAGIO-F/AG
Cranked outside handles
for inward-opening balcony-doors (Turn-Only sash)

| Description | Version | PU | Order number |
|----------------|------------------------------|----|----------------|
| ADAGIO-F/AG-LS | Crank DIN LH, square rosette | 20 | 6-32411-00-0-□ |
| ADAGIO-F/AG-RS | Crank DIN RH, square rosette | 20 | 6-32412-00-0-□ |

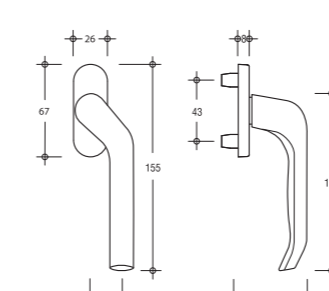
Illustration shows DIN LH



ADAGIO-F/G
Cranked inside handles
for outward-opening windows and balcony-doors (Turn-Only sash)

| Description | Version | PU | Order number |
|---------------|-----------------------------|----|----------------|
| ADAGIO-F/G-LS | Crank DIN LH, round rosette | 20 | 6-33636-00-0-□ |
| ADAGIO-F/G-RS | Crank DIN RH, round rosette | 20 | 6-33637-00-0-□ |

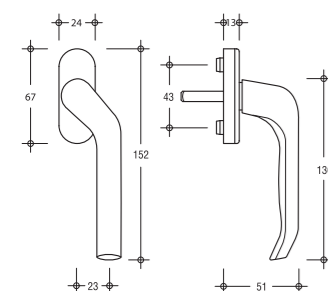
Illustration shows DIN LH



ADAGIO-F/AG
Cranked outside handles
for inward-opening balcony-doors (Turn-Only sash)

| Description | Version | PU | Order number |
|----------------|-----------------------------|----|----------------|
| ADAGIO-F/AG-LS | Crank DIN LH, round rosette | 20 | 6-33634-00-0-□ |
| ADAGIO-F/AG-RS | Crank DIN RH, round rosette | 20 | 6-33635-00-0-□ |

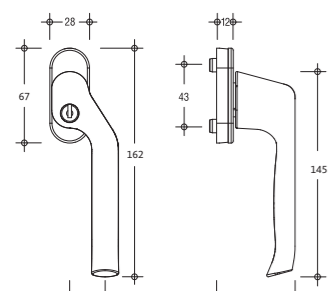
Illustration shows DIN LH



ADAGIO-F/G
Cranked inside handles
for outward-opening windows and balcony-doors (Turn-Only sash)

| Description | Version | PU | Order number |
|------------------|-----------------------------|----|----------------|
| ADAGIO-F/G 24-LS | Crank DIN LH, round rosette | 20 | 6-31441-38-0-□ |
| ADAGIO-F/G 24-RS | Crank DIN RH, round rosette | 20 | 6-31442-38-0-□ |

Illustration shows DIN LH



ADAGIO-F/GZ
Cranked inside handles
for outward-opening windows and balcony-doors (Turn-Only sash)

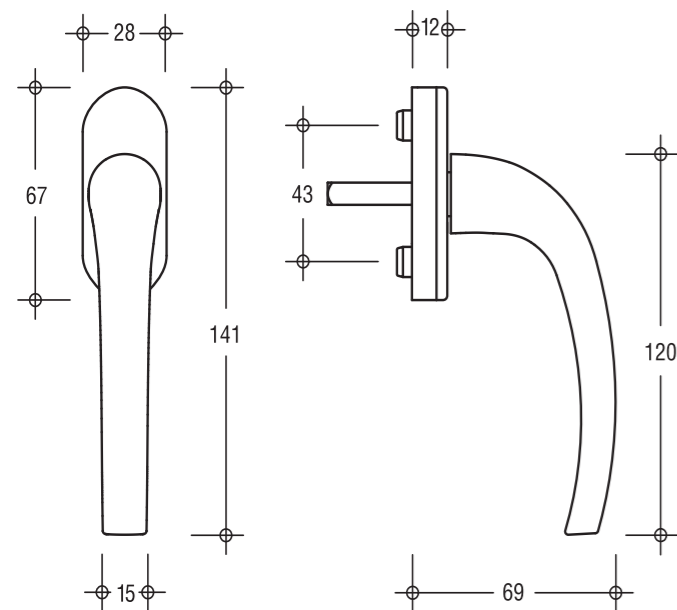
| Description | Version | PU | Order number |
|----------------|--|----|----------------|
| ADAGIO-F/GZ-LS | Crank DIN LH, round rosette | 20 | 6-33451-00-0-□ |
| ADAGIO-F/GZ-RS | Crank DIN RH, round rosette with push lock | 20 | 6-33452-00-0-□ |

Illustration shows DIN LH

Order example

Colour 1 (silver), 5 (brown)
or 7 (white)

6-31323-00-0-□



MODENA-F, MODENA-F/SP

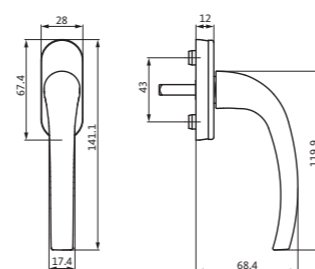


The aesthetic design of the MODENA window handles is characterised by their dynamic form. They guarantee a high degree of operating comfort and ease of operation.

Product range: aluminium interior handles for timber, PVC and metal windows and balcony-doors.

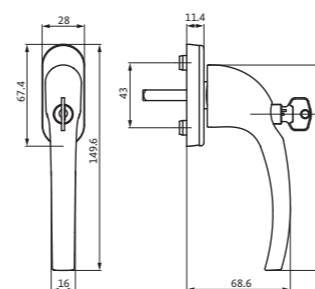
Technical data

| Description | Data |
|------------------|---------------------------------------|
| Interior rosette | 28 x 67 mm |
| Detent | 90° or 90° and 45° F/SP |
| Lug | Ø 10 mm |
| Length of lug | 5 mm |
| Square spindle | Fastened, 7 x 29, 7 x 33 or 7 x 38 mm |
| Locking system | F/Z keyed alike |
| Rosette cover | pivotable |
| Fixing | concealed |



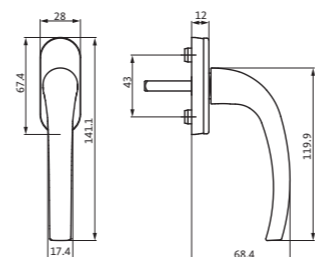
MODENA-F

| Version | PU | Order number |
|------------------------------|----|----------------|
| 25 mm square spindle, inside | 20 | 6-31977-25-0-□ |
| 29 mm square spindle, inside | 20 | 6-31977-29-0-□ |
| 33 mm square spindle, inside | 20 | 6-31977-33-0-□ |
| 38 mm square spindle, inside | 20 | 6-31977-38-0-□ |



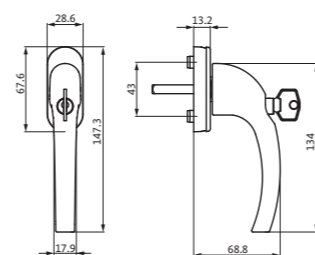
MODENA-F/Z

| Version | PU | Order number |
|--|----|----------------|
| 29 mm square spindle, inside, with push lock | 20 | 6-31978-29-0-□ |
| 33 mm square spindle, inside, with push lock | 20 | 6-31978-33-0-□ |
| 38 mm square spindle, inside, with push lock | 20 | 6-31978-38-0-□ |



MODENA-F/SP

| Version | PU | Order number |
|--|----|----------------|
| 29 mm square spindle, inside, 45° detent | 20 | 6-32319-33-0-□ |



MODENA-F/Z 100

| Version | PU | Order number |
|--|----|----------------|
| 29 mm square spindle, inside, with push lock | 20 | 6-34397-29-0-□ |
| 33 mm square spindle, inside, with push lock | 20 | 6-34397-33-0-□ |
| 38 mm square spindle, inside, with push lock | 20 | 6-34397-38-0-□ |

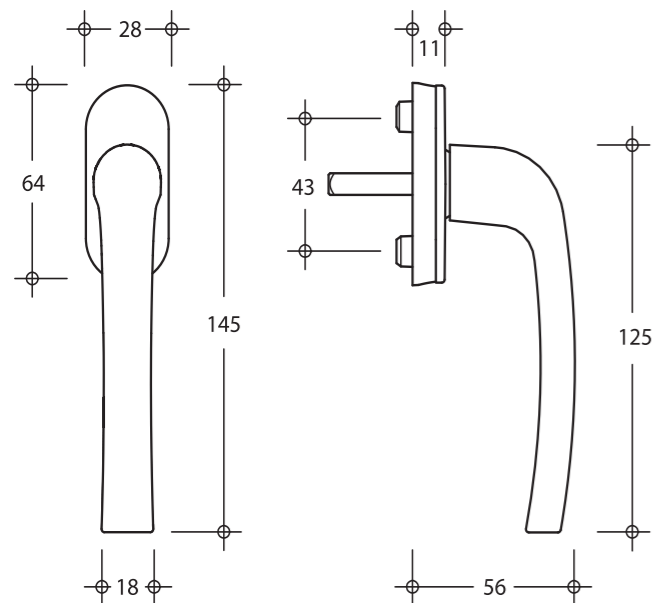
Tested to ENV 1627 for resistance to pull-off and twist-off attempts at 100 Nm

Order example

Colour 1 (silver), 5 (brown)
or 7 (white)

6-31977-25-0-□

SOPRANO



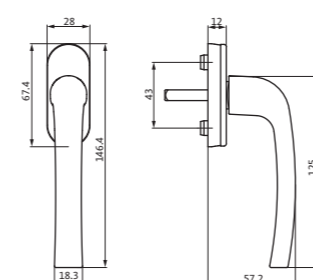
The SOPRANO has a modern form which adds another dimension to the turn handle range. It sits comfortably in the hand and has modern design appeal.

Product range: aluminium interior handles for timber, PVC and metal windows and balcony-doors.

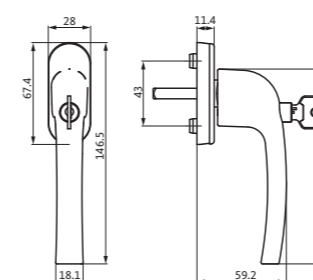
| Technical data | |
|------------------|---|
| Description | Data |
| Interior rosette | 28 x 64 mm |
| Detent | 90° or 90° and 45° F/SP |
| Lug | Ø 10 mm |
| Length of lug | 5 mm |
| Square spindle | fastened, 7 x 29, 7 x 33, 7 x 38 or 7 x 43 mm |
| Locking system | F/Z keyed alike |
| Rosette cover | pivotable |
| Fixing | concealed |

SOPRANO-F, SOPRANO-F/SP

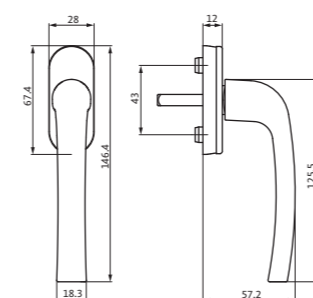
SOPRANO



| SOPRANO-F | | |
|------------------------------|----|----------------|
| Version | PU | Order number |
| 13 mm square spindle, inside | 20 | U-71984-13-0-□ |
| 25 mm square spindle, inside | 20 | U-71984-25-0-□ |
| 29 mm square spindle, inside | 20 | U-71984-29-0-□ |
| 33 mm square spindle, inside | 20 | U-71984-33-0-□ |
| 38 mm square spindle, inside | 20 | U-71984-38-0-□ |
| 43 mm square spindle, inside | 20 | U-71984-43-0-□ |



| SOPRANO-F/Z | | |
|--|----|----------------|
| Version | PU | Order number |
| 29 mm square spindle, inside, with push lock | 20 | U-71987-29-0-□ |
| 33 mm square spindle, inside, with push lock | 20 | U-71987-33-0-□ |
| 38 mm square spindle, inside, with push lock | 20 | U-71987-38-0-□ |



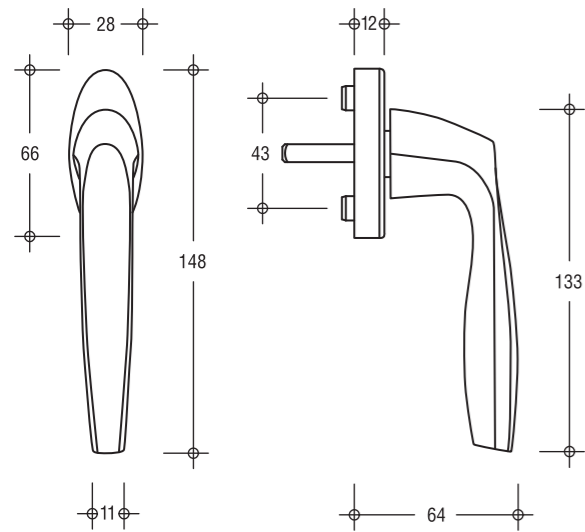
| SOPRANO-F/SP | | |
|--|----|----------------|
| Version | PU | Order number |
| 29 mm square spindle, inside, 45° detent | 20 | U-71970-29-0-□ |
| 33 mm square spindle, inside, 45° detent | 20 | U-71970-33-0-□ |
| 38 mm square spindle, inside, 45° detent | 20 | U-71970-38-0-□ |

Order example

Colour 1 (silver), 5 (brown)
or 7 (white)

U-71984-13-0-□

SAN REMO



SAN REMO-F, SAN REMO-F/SP



The distinctive feature of SAN REMO window handles is their linear yet soft grip design, which means they fit snugly in the hand and are easy to operate.

Product range: aluminium interior handles for timber, PVC and metal windows and balcony-doors.

| Technical data | |
|------------------|---|
| Description | Data |
| Interior rosette | 28 x 66 mm |
| Detent | 90° or 90° and 45° F/SP |
| Lug | fixed, Ø 10 mm |
| Length of lug | 5 mm |
| Spindle | fixed, square 7 x 29, 7 x 33 or 7 x 38 mm |
| Locking system | F/Z keyed alike |
| Rosette cover | pivotable |
| Fixing | concealed |

| Standard versions | | |
|-------------------|--|----------------|
| Description | Version | Order number |
| SAN REMO-F | 29 mm square spindle, inside | G-21608-29-0-□ |
| | 33 mm square spindle, inside | G-21608-33-0-□ |
| | 38 mm square spindle, inside | G-21608-38-0-□ |
| SAN REMO-F/Z | 29 mm square spindle, inside, with push lock | G-21609-29-0-□ |
| | 33 mm square spindle, inside, with push lock | G-21609-33-0-□ |
| | 38 mm square spindle, inside, with push lock | G-21609-38-0-□ |

| Special versions | | |
|------------------|--------------------|----------------|
| Description | Version | Order number |
| SAN REMO-F/SP | Inside, 45° detent | 6-32363-33-0-7 |

Order example

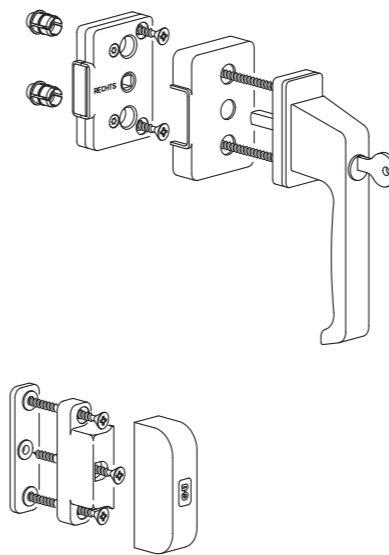
Colour 1 (silver), 5 (brown) or 7 (white)

G-21608-29-0-□

Accessories for handles



Face-fixed lock



Retrofittable security for Turn-Only and Tilt&Turn windows

This product provides effective burglar protection and is easy to install. The lockable turn handle locks the window's central locking system. If the glass is broken or the window frame is drilled through, the locking system cannot be unlocked from the outside.

The metal deadbolt engages in the stable strike box with a deadbolt throw of 18 mm. This effectively prevents the window sash from being lifted out and forced open. The combined action of the lockable turn handle and the window face-fixed lock produces a strong burglar-inhibiting effect.

The face-fixed lock can be retrofitted to Turn-Only and Tilt&Turn sashes equipped with drive-gears with 15 mm backset. Suitable packers are used to compensate for the overlap height.

The face-fixed lock locks the sash in the closed position in addition to the central locking system.

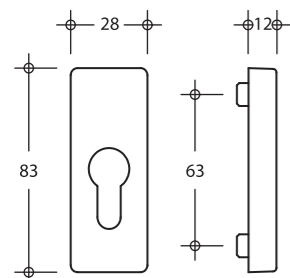
Assembly is straightforward – the face-fixed lock is screwed to the sash under the turn handle, then the strike box is positioned on the frame and securely fastened with screws. Installation instructions are enclosed.

| Face-fixed lock set with DIRIGENT F/Z turn handle | |
|---|----------------|
| Surface | Order number |
| EV1/F1 | K-14662-00-0-1 |
| Dark brown | K-14662-00-0-5 |
| White (RAL 9016) | K-14662-00-0-7 |

| Lateral space requirement | | |
|---------------------------|-------------|--------------------|
| Material | Clearance | Sash overlap width |
| Timber windows | 4 mm | 26 mm |
| | Euro-rebate | 23 mm |
| PVC windows | 20 / 22 mm | 22 mm |

| Contents of box K-14662-00-0-□ | |
|--------------------------------|------------------------------------|
| Number | Description |
| 1 | DIRIGENT-F/Z turn handle, lockable |
| 1 | Square spindle 7 x 75 mm |
| 1 | Face-fixed lock |
| 1 | Cover cap for face-fixed lock |
| 2 | Bushing for Ø 10 mm |
| 2 | Bushing for Ø 12 mm |
| 1 | Strike box |
| 1 | Strike box cover cap |
| 1 | Packer 3 mm |
| 1 | Packer 4 mm |
| 1 | Packer 5 mm |
| 1 | Packer 6 mm |
| 7 | Spax countersunk screw 5 x 55 mm |

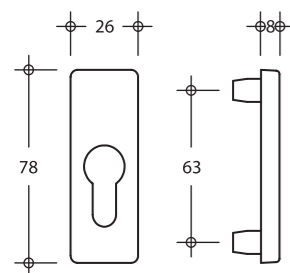
Accessories for handles



PC rosette
Inside, with PC hole and lug Ø 10 mm

| Description | PU | Order number |
|-----------------------|----|----------------|
| PC rosette, square | 20 | K-17205-02-0-□ |
| PC rosette, oval | 20 | K-17204-02-0-□ |
| RC rosette, square R2 | 20 | K-17205-03-0-□ |
| RC rosette, oval R2 | 20 | K-17204-03-0-□ |

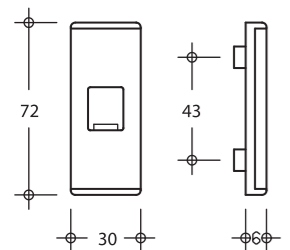
Version: PC rosette, square



PC outside rosette
Outside, with PC hole and threaded lug Ø 10 mm

| Description | PU | Order number |
|-------------------------------|----|----------------|
| PC outside rosette, square | 20 | 9-43605-02-0-□ |
| PC outside rosette, oval | 20 | 9-43582-02-0-□ |
| RC outside rosette, square R2 | 20 | 9-43605-03-0-1 |
| RC outside rosette, oval R2 | 20 | 9-43582-03-0-1 |

Version: PC outside rosette, square



Cover rosette/F
Inside – flat, slide shutter for removable handle

| Description | PU | Order number |
|-------------|----|----------------|
| | 20 | 6-24913-00-0-□ |



Adapter sleeve
For increasing the size of the threaded lug from Ø 10 to Ø 12 mm

| Description | PU | Order number |
|-------------|-----|----------------|
| | 100 | 9-40496-00-0-0 |

Order example

Colour 1 (silver), 5 (brown)
or 7 (white)

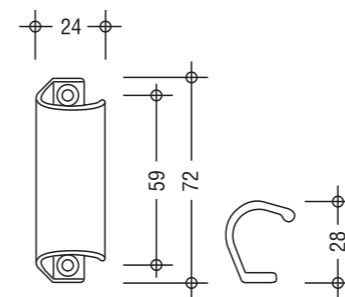
K-17205-02-0-□

Accessories for handles



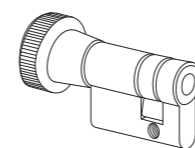
Square spindles 7 mm

| Spindle length in mm | Sash thickness in mm | PU | Order number |
|----------------------|----------------------|-----|----------------|
| <56 | 70 | 20 | 9-26874-16-0-1 |
| 118 | 56 – 68 | 20 | 9-26874-56-0-1 |
| 131 | 69 – 80 | 100 | 9-26874-69-0-1 |
| 143 | 81 – 92 | 20 | 9-26874-81-0-1 |



Fixed pull, outside

| Description | PU | Order number |
|-------------|----|----------------|
| | 50 | 9-22921-00-0-□ |



Night lock

| Description | PU | Order number |
|-------------------|----|----------------|
| 25–50 mm backsets | 10 | K-13282-00-0-□ |



Countersunk screws M5
For fastening the turn handle

| Dimension | Inside operation, for spindle length in mm | PU | Order number |
|-----------|---|-----|----------------|
| M5 x 40 | 29 and 33 | 400 | 9-13255-40-0-1 |
| M5 x 50 | 38 | 400 | 9-13255-50-0-1 |
| Dimension | Operation from both sides, for sash thickness | PU | Order number |
| M5 x 60 | 50 – 54 | 400 | 9-13255-60-0-1 |
| M5 x 65 | 55 – 59 | 400 | 9-13255-65-0-1 |
| M5 x 70 | 60 – 64 | 400 | 9-13255-70-0-1 |
| M5 x 75 | 65 – 69 | 400 | 9-13255-75-R-1 |
| M5 x 80 | 70 – 74 | 400 | 9-13255-80-0-1 |
| M5 x 85 | 75 – 80 | 400 | 9-13255-85-R-1 |



Copyright notice

© All illustrations and texts in this publication are protected by copyright. Unless otherwise stated on the image, the rights belong to the Gretsch-Unitas Group. Any use of copyright protected materials without the consent of the holder of the rights is prohibited.

Image credits

Page 2 With kind permission of kab planungsbüro für bauleistungen gmbh, Fellbach

Publisher

Gretsch-Unitas GmbH Baubeschläge
Johann-Maus-Str. 3 | 71254 Ditzingen, Germany
Tel. + 49 7156 301-0 | Fax + 49 7156 301-293
www.g-u.com



WINDOW TECHNOLOGY
DOOR TECHNOLOGY
AUTOMATIC ENTRANCE SYSTEMS
BUILDING MANAGEMENT SYSTEMS

Gretsch-Unitas GmbH
Baubeschlage
Johann-Maus-Str. 3
D-71254 Ditzingen
Tel. +49 7156 301-0
Fax +49 7156 301-77980

BKS GmbH
Heidestr. 71
D-42549 Velbert
Tel. +49 2051 201-0
Fax +49 2051 201-9733

www.g-u.com

Securing technology for you

