

CAF BRANCH



Attack 500 C.A.F Branch
c/w Silencer
Storz C (KA66mm) Inlet

- Longer Jet Reach
- Hard Anodised Light Alloy
- Stainless Steel Ball Valve
- Most Inlets Available
- Optional Foam Lance
- Low Maintenance



Optional C.A.F Foam Lance Attachment

GENERAL DESCRIPTION

The Delta C.A.F branch is a Compressed Air Foam branch used for CAF systems. The branch is a pistol grip style and has a controlled on/off handle. The branch is fully hard anodised for corrosion protection along with stainless steel 316 ball valve and fittings. This branch has a fixed stream jet barrel and silencer and has the option of an easily detachable special foam lance applicator.

FEATURES

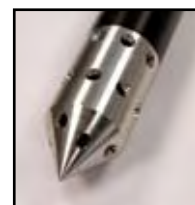
FLOW RATES

Typical flow rate of the Delta C.A.F Branch is up to a maximum of 500L/Min.

DISCHARGE OPTIONS

Standard discharge for the C.A.F branch is a jet barrel which is has a specially designed outlet barrel to reduce noise level particularly at start up.

A special foam lance is also available as well as the standard jet barrel. This is approx a 1.5 metres lance with a multi directional tip which can be fitted to the branch to enable the foam to be penetrated into inaccessible areas such as roof spaces, skips, etc.



Stainless Steel Tip

ADVANTAGES

Designed to achieve longer jet reach and manufacture using a stainless steel ball valve means safe and positive operation. The branch also requires no lubrication.

LOW MAINTENANCE AND RUGGED CONSTRUCTION

The stainless steel ball valve design means only minimal maintenance.

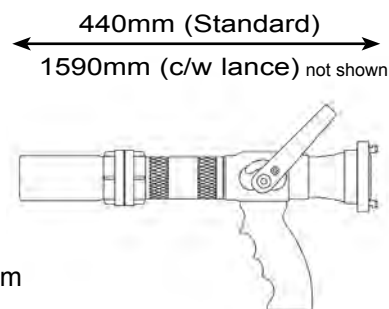
TEN YEAR GUARANTEE

Designed and manufactured in the United Kingdom under an ISO 9001 Quality System. Every Delta C.A.F branch is subjected to rigorous quality controls and guaranteed against any manufacturing defect for ten years.

SPECIFICATION

The Delta C.A.F branch is for Compressed Air Foam Systems.

Model Ref	Description
CAF/1	Delta CAF Hand Controlled Branch
CAF/2	Delta CAF Hand Controlled Branch & Detachable Foam Lance



Main Body/Barrel:	Hard Anodised Aluminum
Ball Valve:	Stainless Steel 316
Inlets:	2.5" Inst. Male Swivel, 2" BSP female or most international fittings