

aurum® bariatric bed

SWL
413KG/
65ST

The aurum® bariatric bed has been specifically designed for size, strength and practicality. The width adjustment feature allows the bed to be transported as a standard sized bed and will therefore fit through the majority of standard doorways.



- 413kg (65st) SWL
- Width adjustable mattress platform 92cm - 122cm (36" - 48")
- Innovative stowable safety rails - Patent pending, EU Registered Design*
- Fully articulating bed
- Central braking system
- Available with integral scales
- Adjustable head and foot boards
- Carer and patient control with lock-out function
- Emergency CPR and Trendelenburg functions
- Mattress options available

**BS EN 60601-2-52:2010/A1:2015
compliant**



Width adjustable mattress platform

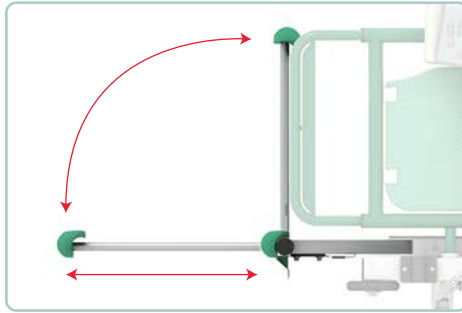
The four section, fully profiling mattress platform is powered by strong electric actuators which enable the bed to cope with the heaviest of patients.

There are two handset controllers included on the bed, one for carer and one for the patient. A lock out feature on both handsets is able to restrict a patient's control of the bed's functions.

An emergency CPR feature reduces the time taken to move patients to emergency positions.



Individual section adjustments to 36" and 48"



Innovative stowable safety rails



Various mattress options available

features	benefits
Adjustable mattress platform 920mm (36") to 1220mm (48")	Easy transportation and greater versatility
413kg (65st) SWL	Can be used with even the largest of patients
Full electric operation	Greatly reduces risk of injury to carer
Stowable safety rails	Greater access treating a patient
Emergency backup battery	Bed can be used in the event of a mains power failure
Removable head and foot boards	Greater access to patient, easier storage, easy cleaning
Carer control with lock-out function	Carers can restrict patient control on the beds functions
Epoxy coated finish	Easier cleaning, greater infection control
Emergency CPR and Trendelenburg	Reduces time taken to move patient to emergency positions
Central braking system	Easy access to brakes from either side of the bed
Up to 150mm (6") length extension	Caters for taller patients
Rubberised bump wheels	Takes the impact from knocks when transporting the bed, reducing damage to bed
Available with integral scales	Accurate patient weighing up to 413kg (65st)