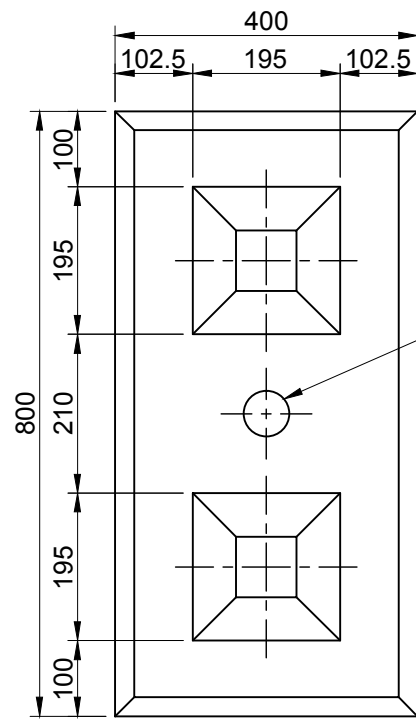
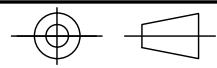
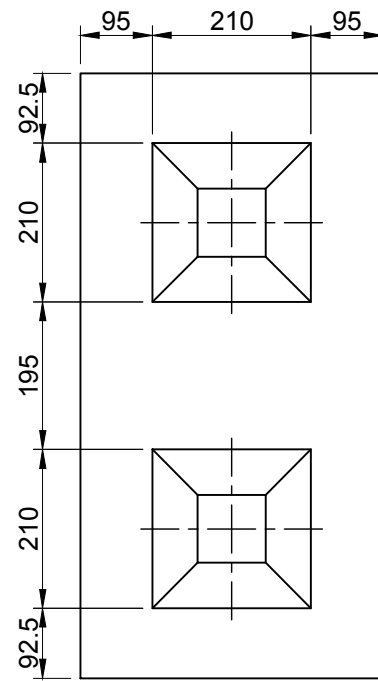


PROJECTION

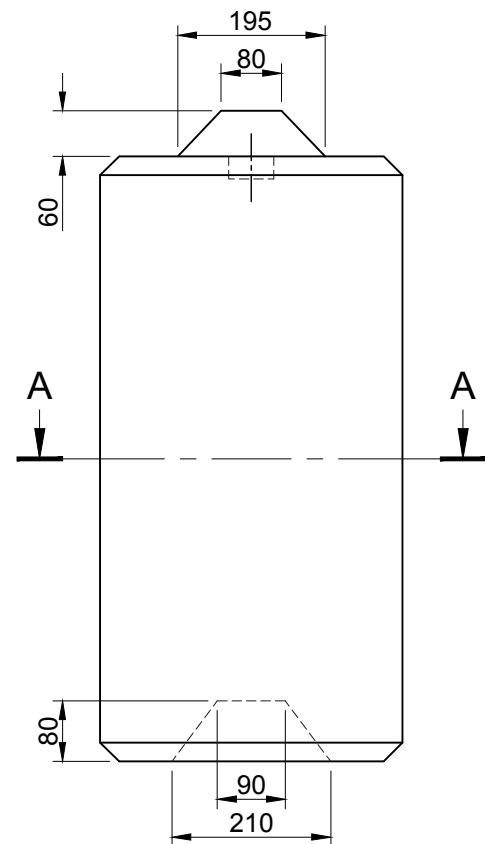


Plan

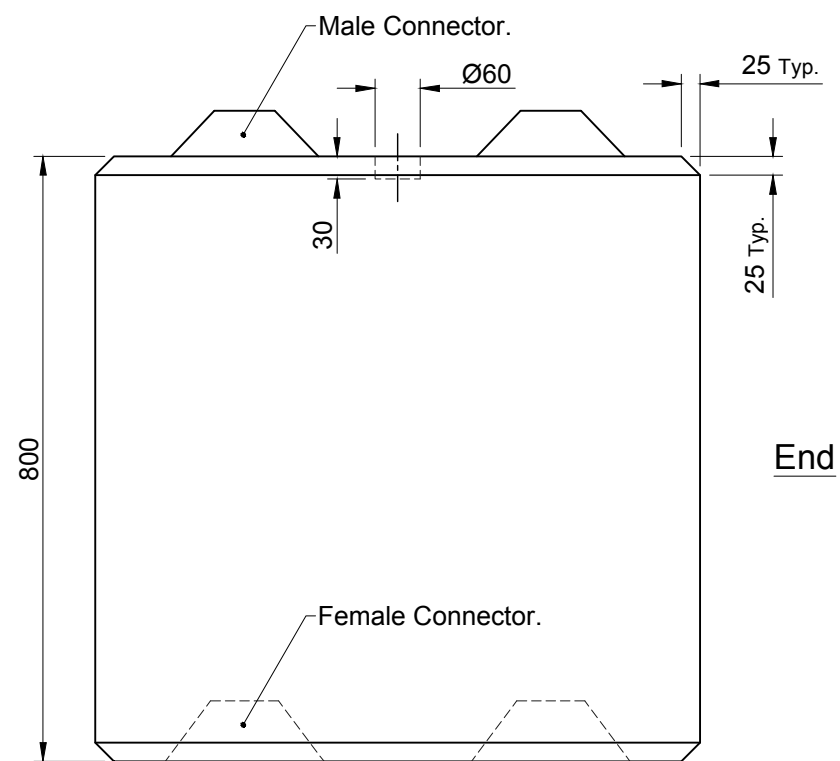
Ø60mm Dia Semi-Spherical Recess in Gravitational Centre of Block for 'Deha' type Lifting Pin (n.b. Lifting Pin 180mm Long). (Lifting Pin is rated to 5.0 tonnes with a safety factor of 3).



Section on Arrow A - A



Elevation



End

Total Block Weight : 600Kg

Note :  
Some details omitted for clarity.

REV	DATE	REASON FOR ISSUE	DRN	APP	REV	DATE	REASON FOR ISSUE	DRN	APP
					O	12.11.13	For Information		
								CTC	RD
TITLE :									
Legato™ Interlocking Block					ELITE PRECAST CONCRETE LIMITED				
400 x 800 x 800mm (M / F Connectors)					HALESFIELD 9, TELFORD				
Elite Product Code : LG2					SHROPSHIRE TF7 4QW				
DRN : CTC					CHKD : RD				
DATE : 12-11-13					DRG SIZE : A3				
					SCALE: 1:10				
					DRG 141				
					REV O				

