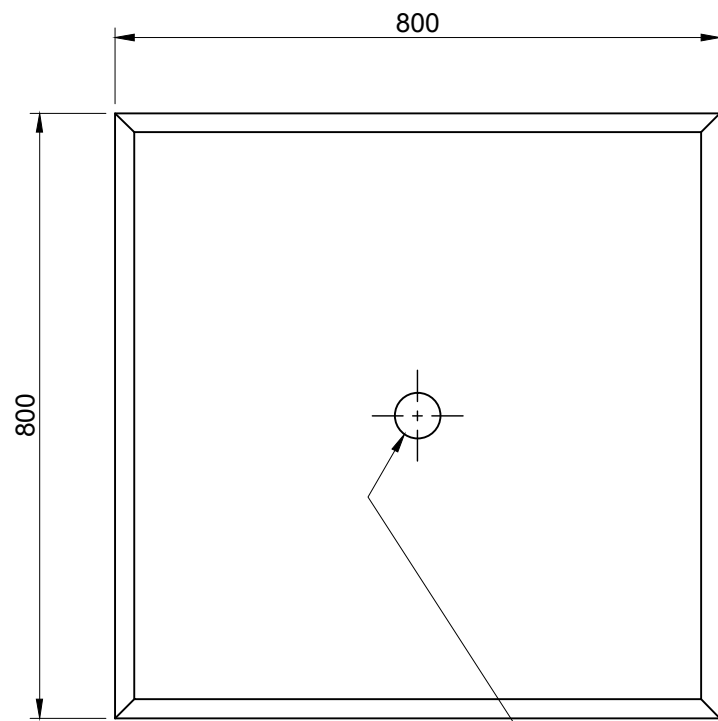
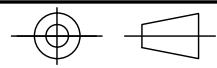
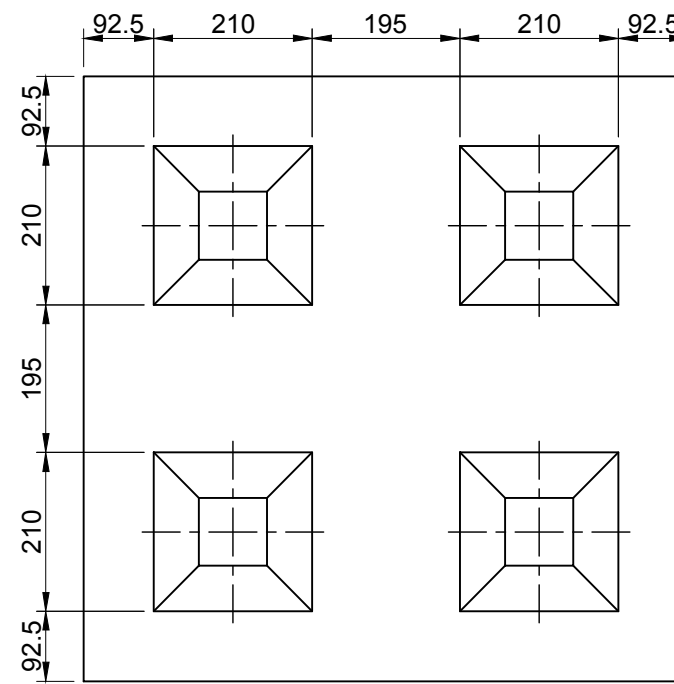


PROJECTION

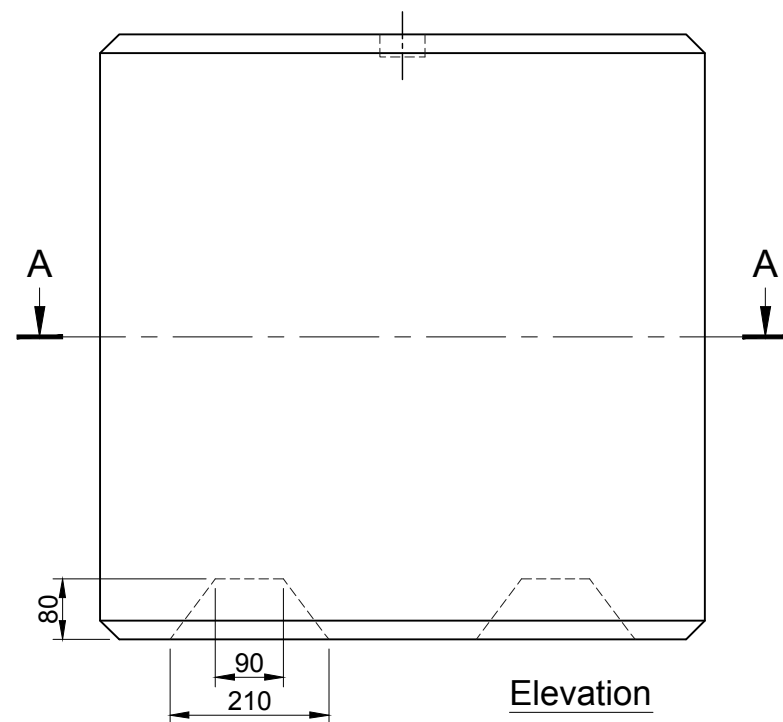


Plan

Ø60mm Dia Semi-Spherical Recess in Gravitational Centre of Block for 'Deha' type Lifting Pin (n.b. Lifting Pin 180mm Long).
(Lifting Pin is rated to 5.0 tonnes with a safety factor of 3).



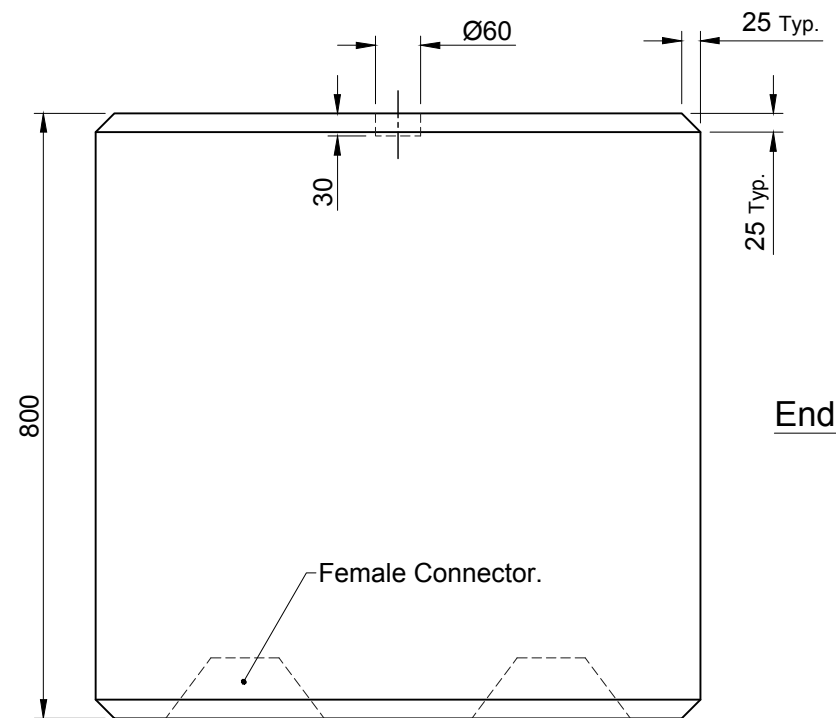
Section on Arrow A - A



Elevation

Total Block Weight : 1080Kg

Note :
Some details omitted for clarity.



End

REV	DATE	REASON FOR ISSUE	DRN	APP	REV	DATE	REASON FOR ISSUE	DRN	APP
					O	13.11.13	For Information	CTC	RD
TITLE :					ELITE PRECAST CONCRETE LIMITED				
Legato™ Interlocking Block					HALESFIELD 9, TELFORD				
800 x 800 x 800mm (F Connectors)					SHROPSHIRE TF7 4QW				
Elite Product Code : LG3									
DRN :	CTC	CHKD :	RD	DATE :					
					DRG	144	REV	O	