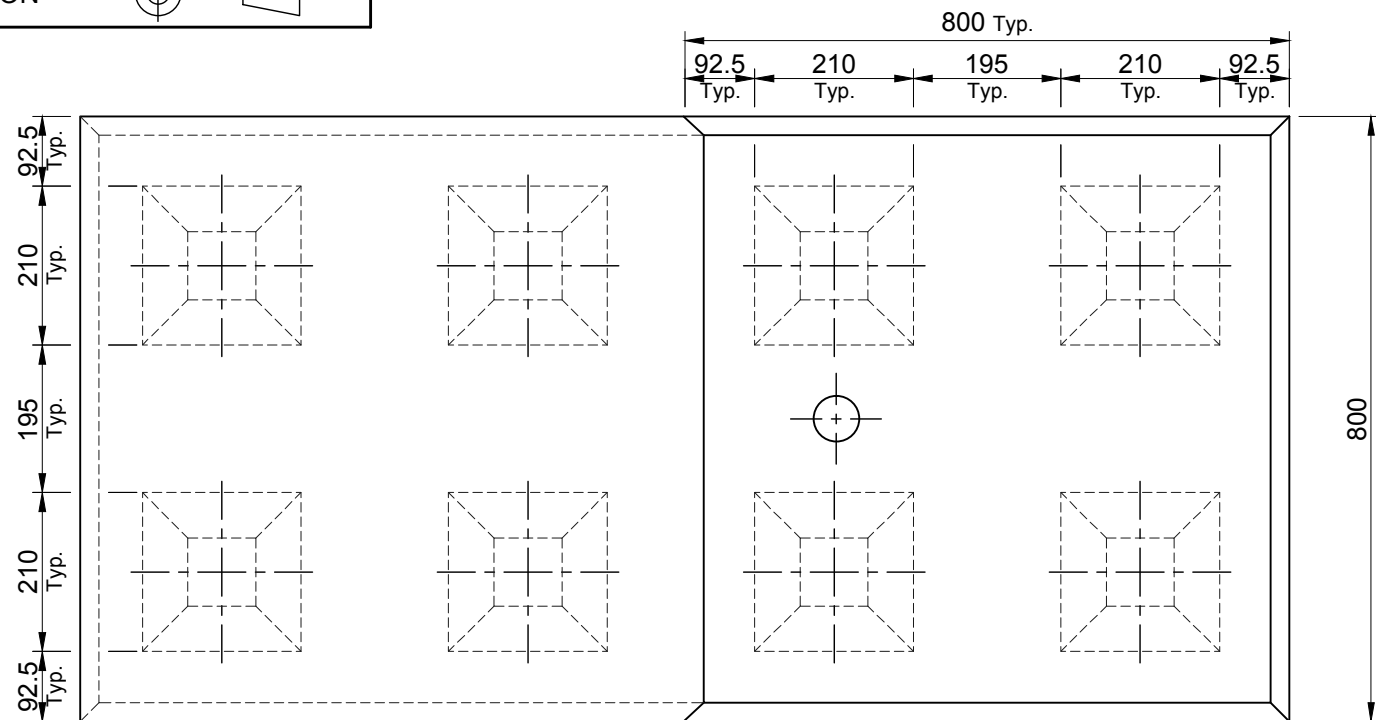
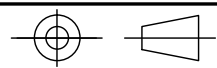
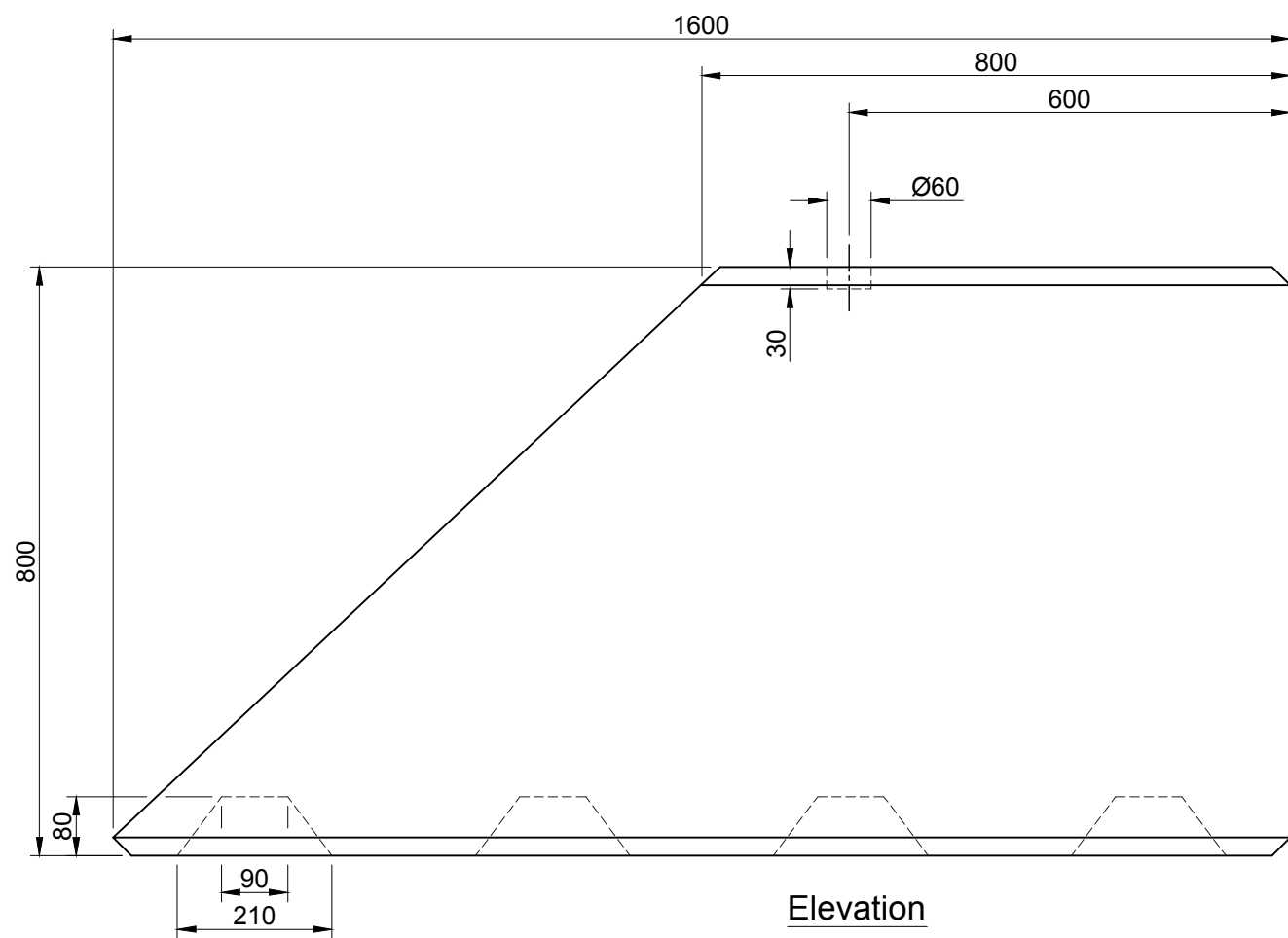


PROJECTION



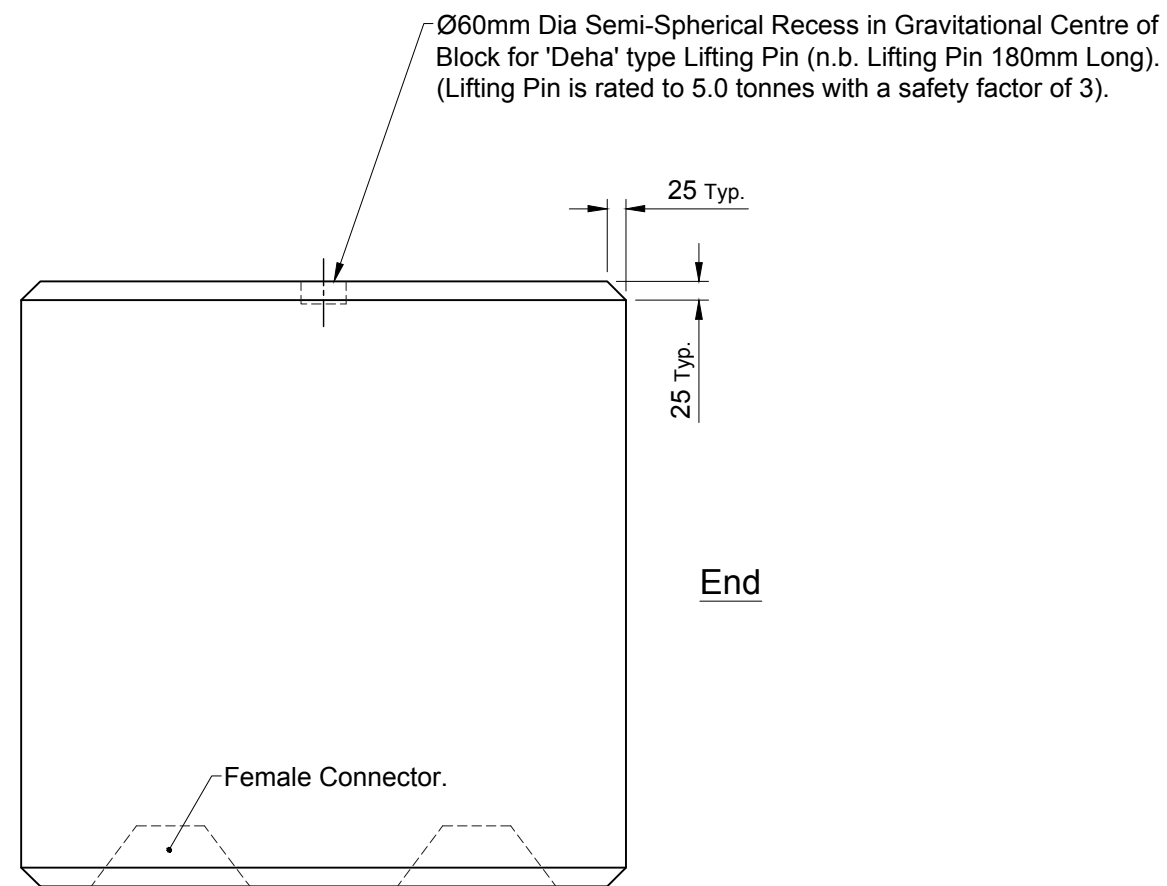
Plan



Elevation

Total Block Weight : 1760Kg

Note :
Some details omitted for clarity.



						O	20.03.14	For Information				CTC	RD		
REV	DATE	REASON FOR ISSUE	DRN	APP	REV	DATE	REASON FOR ISSUE					DRN	APP		
TITLE :						ELITE PRECAST CONCRETE LIMITED HALESFIELD 9, TELFORD SHROPSHIRE TF7 4QW									
Legato™ Interlocking Slope Flat Top Block 1600 x 800 x 800mm (F Connectors) Elite Product Code : LG9															
DRN :	CTC	CHKD :	RD	DATE :	20-03-14	DRG SIZE :	A3	SCALE :	1:10	DRG	162	REV	O		