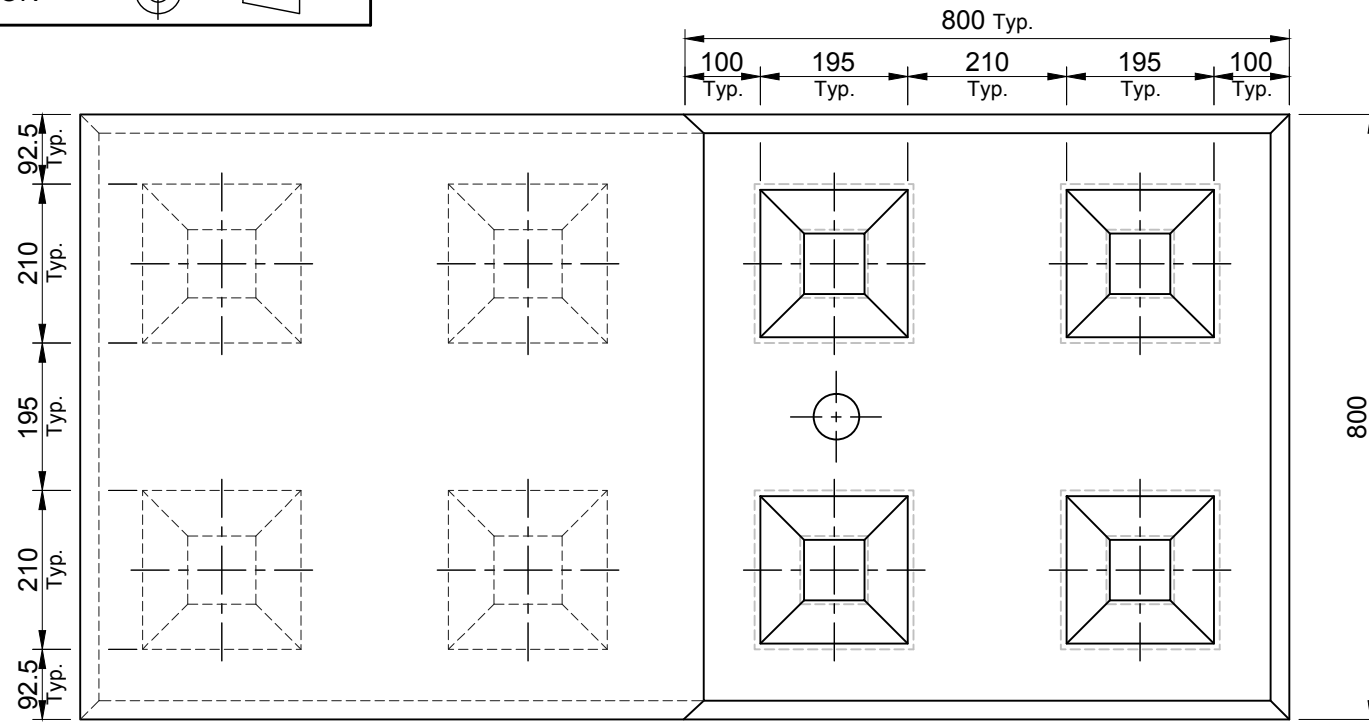
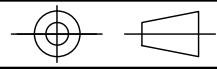
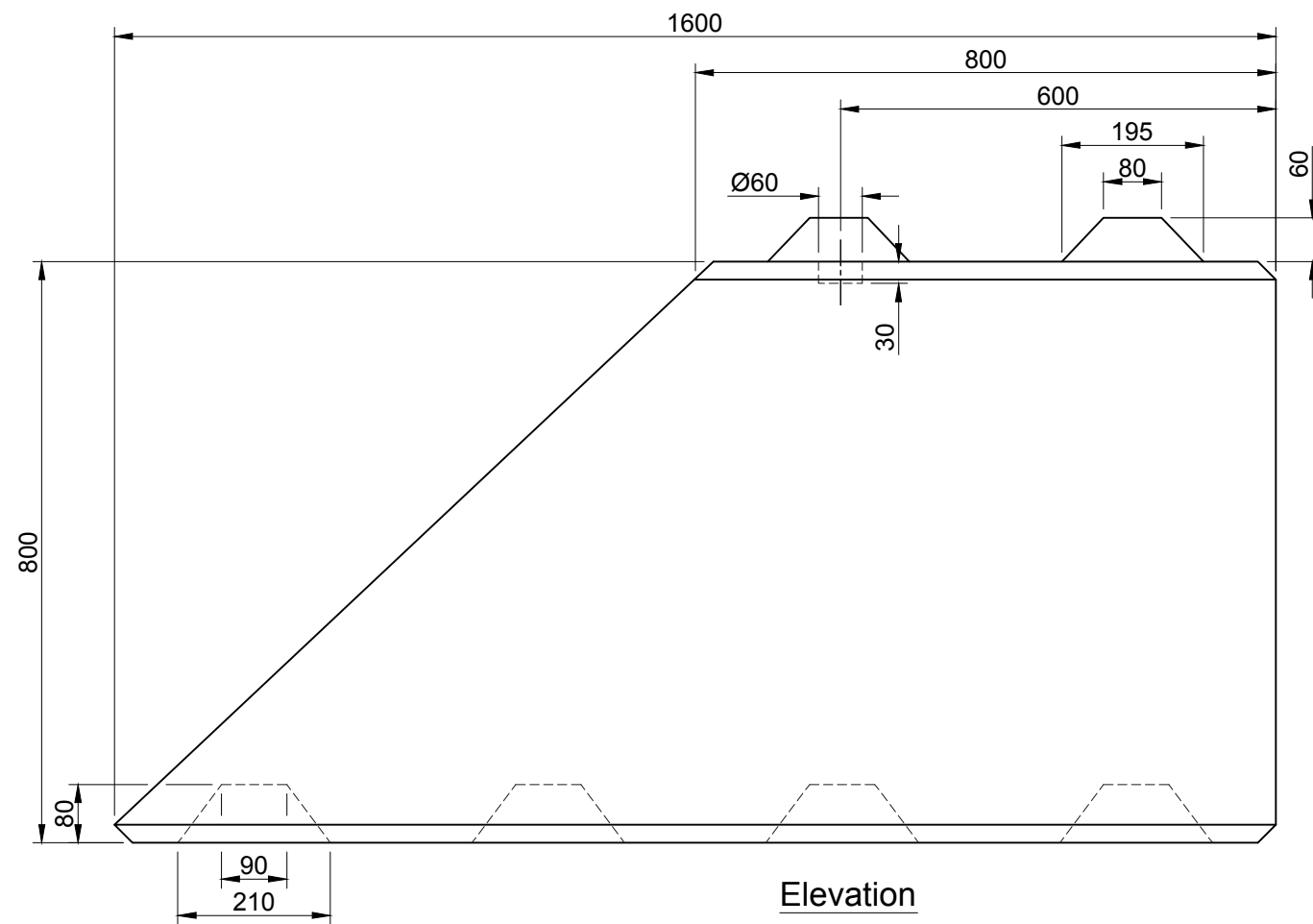


PROJECTION



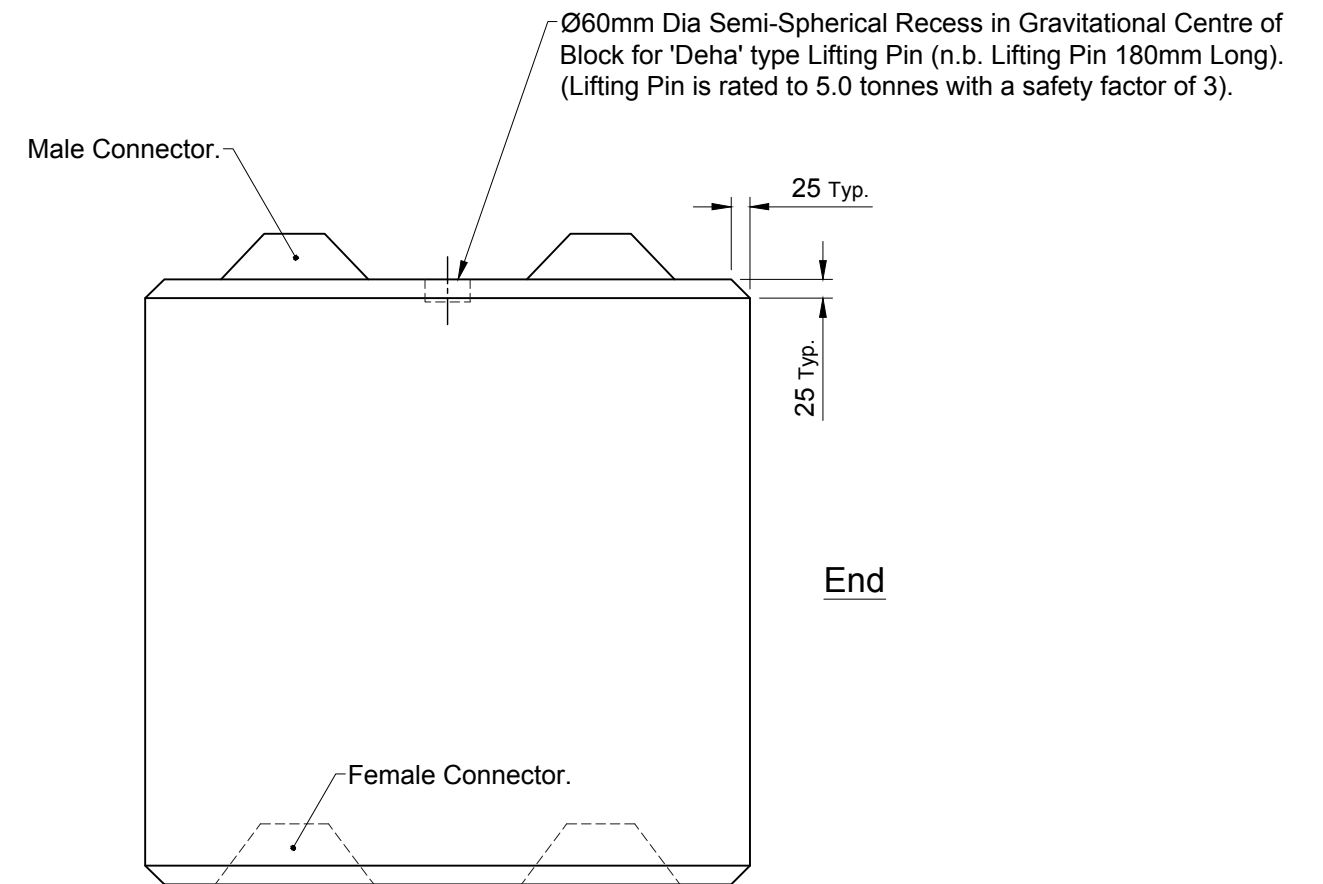
Plan



Elevation

**Total Block Weight : 1800Kg**


Note :  
Some details omitted for clarity.



REV	DATE	REASON FOR ISSUE	DRN	APP	REV	DATE	REASON FOR ISSUE	DRN	APP
					O	20.03.14	For Information		
								CTC	RD

TITLE : **Legato™ Interlocking Slope Block**  
1600 x 800 x 800mm (M / F Connectors)  
Elite Product Code : LG10

ELITE PRECAST CONCRETE LIMITED  
HALESFIELD 9, TELFORD  
SHROPSHIRE TF7 4QW



DRN : CTC    CHKD : RD    DATE : 20-03-14    DRG SIZE : A3    SCALE: 1:10    DRG 161    REV O