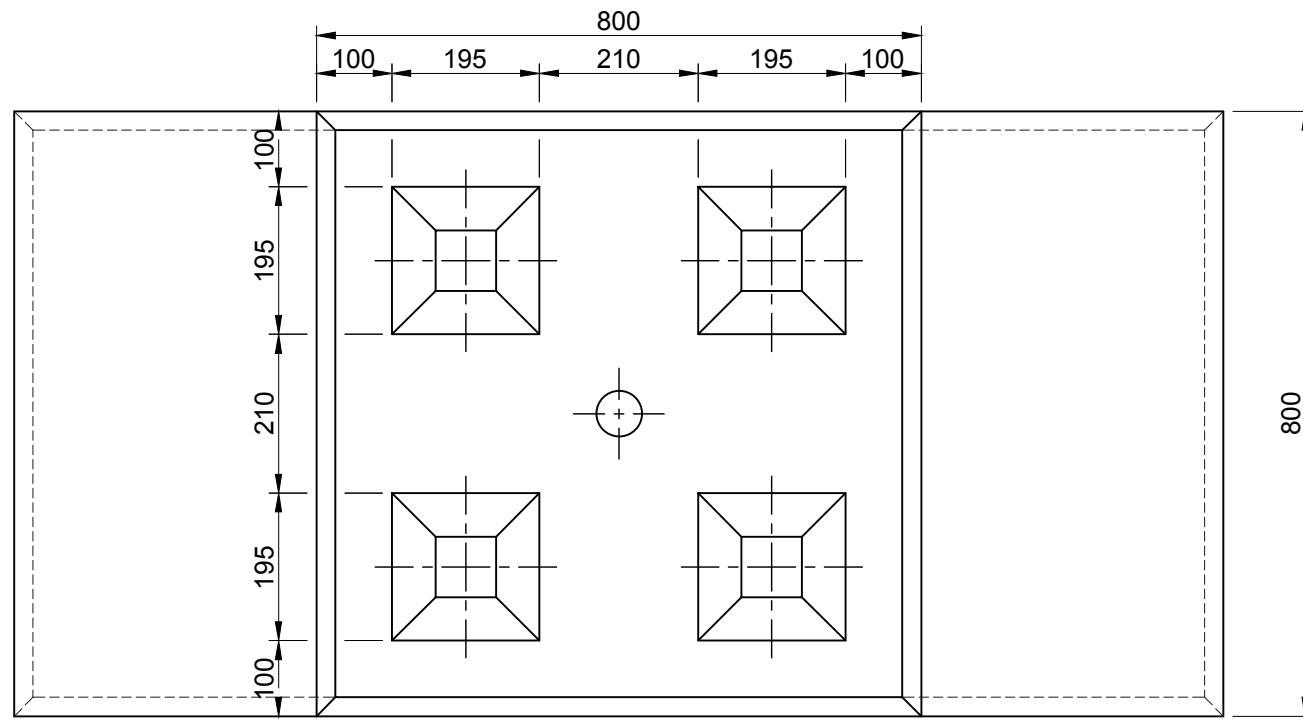
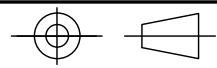


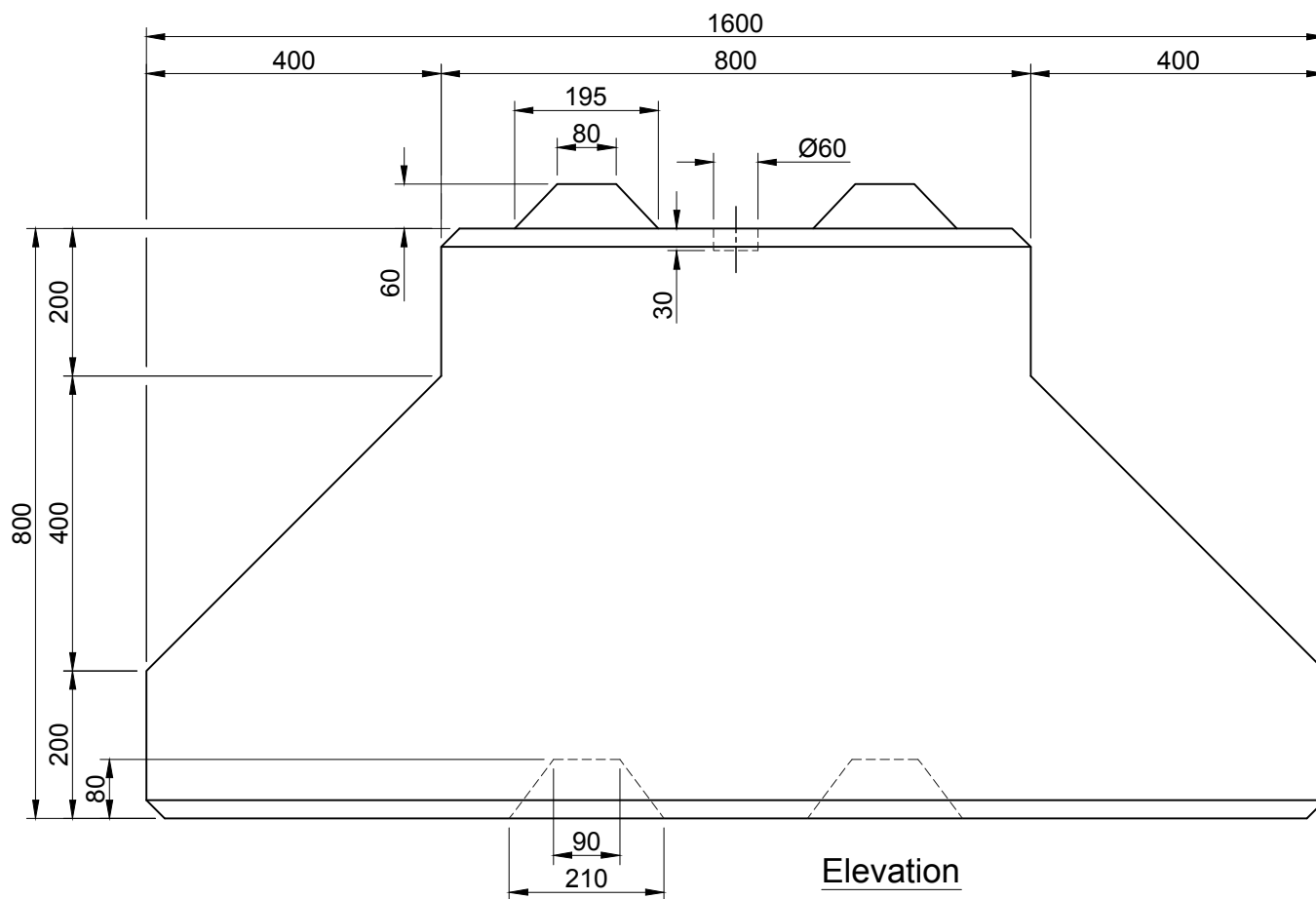
PROJECTION



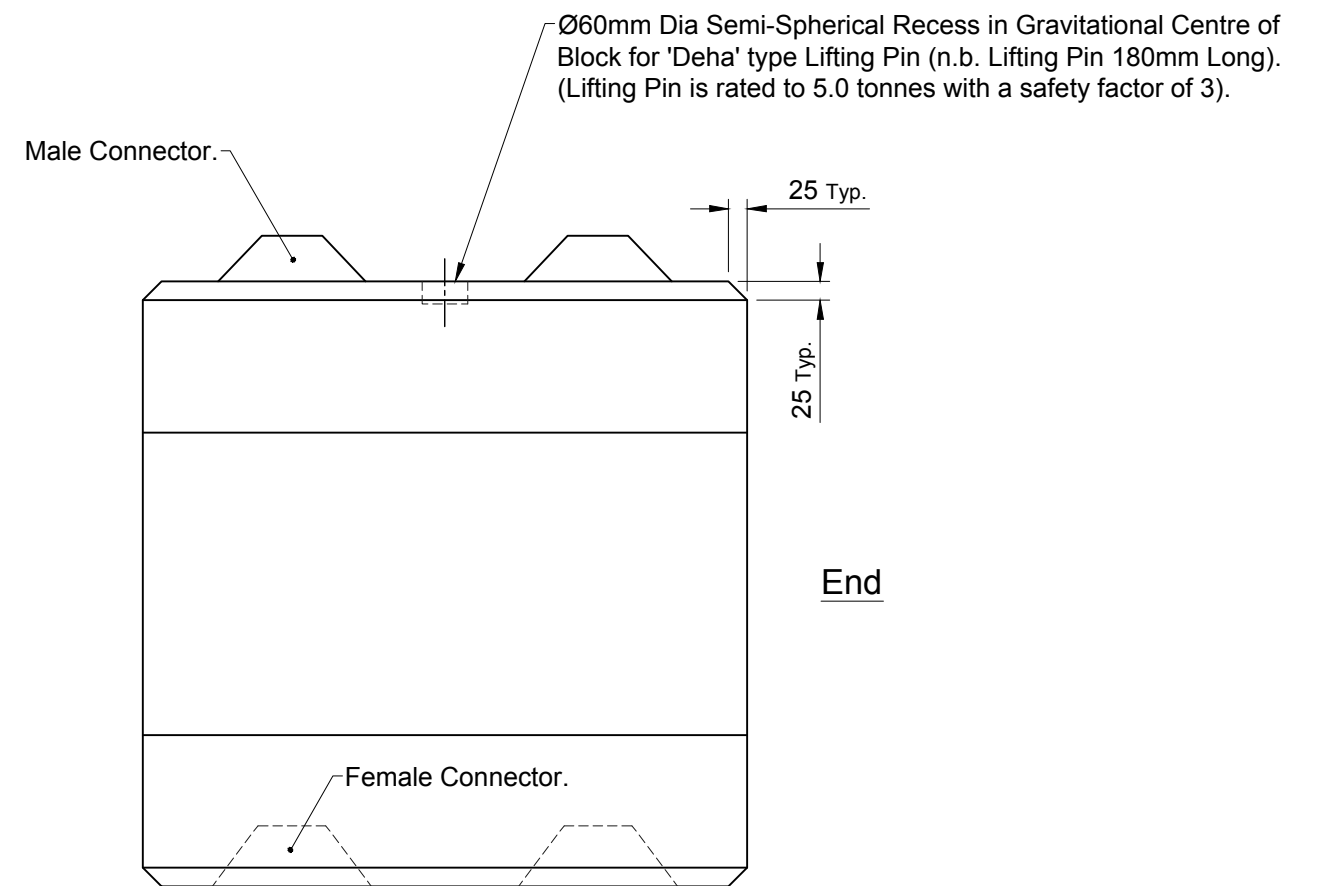
Plan

**Total Block Weight : 1800Kg**

Note :  
Some details omitted for clarity.



Elevation



REV	DATE	REASON FOR ISSUE			DRN	APP	REV	DATE	REASON FOR ISSUE			DRN	APP						
TITLE :																			
Legato™ Interlocking Foot Block										ELITE PRECAST CONCRETE LIMITED									
1600 x 800 x 800mm (M / F Connectors)										HALESFIELD 9, TELFORD									
Elite Product Code : LG Spreader										SHROPSHIRE TF7 4QW									
										<b>ELITE</b> PRECAST CONCRETE									
DRN :	CTC	CHKD :	RD	DATE :	07-03-14	DRG SIZE :	A3	SCALE :	1:10	DRG	156	REV	O						